



Multipath Subsystem Device Driver User's Guide

Read Before Using

The IBM License Agreement for Machine Code is included in this guide. Carefully read the agreement. By using this product, you agree to abide by the terms of this agreement and applicable copyright laws.

IBM System Storage



Multipath Subsystem Device Driver User's Guide

Note

Before using this information and the product it supports, read the information in “Notices” on page 405.

First Edition (May 2006)

This edition replaces SC30-4096-01, and it includes information that specifically applies to the Multipath Subsystem Device Driver (SDD) Version 1 Release 6 Modification 1 Level x only:

This edition also applies to all subsequent releases and modifications until otherwise indicated in new editions.

© **Copyright International Business Machines Corporation 1999, 2006. All rights reserved.**

US Government Users Restricted Rights – Use, duplication or disclosure restricted by GSA ADP Schedule Contract with IBM Corp.

Contents

Figures	xvii
Tables	xix
About this guide	xxi
Who should use this book.	xxi
Command syntax conventions	xxi
Highlighting conventions	xxi
Special characters conventions	xxii
Summary of changes	xxii
New information	xxii
Modified information	xxiii
Related information	xxiii
The ESS library	xxiii
The DS8000 library	xxv
The DS6000 library	xxv
The SAN Volume Controller library	xxvi
The SAN File System library	xxvi
Ordering IBM publications	xxvii
IBM publications center	xxvii
Publications notification system	xxvii
How to send your comments	xxix
Chapter 1. Overview of SDD	1
The SDD architecture	2
Enhanced data availability	4
Dynamic I/O load balancing.	7
Automatic path-failover protection	7
Concurrent download of licensed machine code for disk storage systems	7
Concurrent download of licensed machine code for virtualization products	7
Preferred node path-selection algorithm for the virtualization products	8
Chapter 2. Using SDD on an AIX host system	9
Supported SDD features	9
Verifying the hardware and software requirements	10
Hardware	10
Software	10
Unsupported environments	11
Host system requirements	11
Disk storage systems requirements	11
Virtualization products requirements	12
SCSI requirements for ESS	12
Fibre requirements	12
Preparing for SDD installation	13
Configuring the disk storage system	13
Configuring the virtualization products	13
Installing the AIX fibre-channel device drivers.	14
Uninstalling the AIX fibre-channel device drivers.	15
Using the smitty deinstall command	15
Using the installp command	15
Configuring fibre-channel-attached devices	15
Removing fibre-channel-attached devices	16
Verifying the adapter firmware level	16

Determining if the <code>sddServer</code> for Expert is installed	16
Understanding SDD support for IBM System p with static LPARs configured	17
Determining the installation package	17
Installation packages for 32-bit and 64-bit applications on AIX 4.3.3 (or later) host systems	18
Switching between 32-bit and 64-bit modes on AIX 5.1.0, AIX 5.2.0, and AIX 5.3.0 host systems	18
Installation of major files on your AIX host system	18
Determining the installation type	19
Installing and upgrading SDD	20
Installing SDD	20
Upgrading SDD.	21
Upgrading SDD packages automatically without system restart	21
Preconditions for migration or upgrade	22
Customizing SDD migration or upgrade	22
Procedures for automatic migration or upgrade	23
Error recovery for migration or upgrade	24
Upgrading SDD manually	24
Updating SDD packages by applying a program temporary fix	26
Committing or Rejecting a PTF Update	27
Upgrading AIX OS or host attachment and SDD packages	28
Verifying the currently installed version of SDD for SDD 1.3.3.11 (or earlier)	30
Verifying the currently installed version of SDD for SDD 1.4.0.0 (or later)	31
Preparing to configure SDD	32
Maximum number of LUNs	33
ODM attributes for controlling the maximum number of LUNs in SDD version 1.6.0.7 or later on AIX 5.2 and later	34
Preparing your system to configure more than 600 supported storage devices or to handle a large amount of I/O after queue depth is disabled.	35
Filesystem space	37
Controlling I/O flow to SDD devices with the <code>SDD qdepth_enable</code> attribute	37
Configuring SDD	38
Unconfiguring SDD	38
Verifying the SDD configuration	39
Dynamically adding paths to SDD <code>vpath</code> devices	40
Dynamically removing or replacing PCI adapters or paths	41
Dynamically removing a PCI adapter from SDD configuration	41
Dynamically replacing a PCI adapter in an SDD configuration.	41
Dynamically removing a path of an SDD <code>vpath</code> device	43
Removing SDD from an AIX host system	43
SAN boot support	44
SAN boot install procedures	44
SAN boot install procedure for AIX 5.1	45
SAN boot install procedure for AIX 5.2 and AIX 5.3	45
Manual exclusion of devices from the SDD configuration	46
Replacing manually excluded devices in the SDD configuration	46
Understanding SDD support for High Availability Cluster Multi-Processing	47
SDD persistent reserve attributes	49
Preparation for importing volume groups under HACMP	49
HACMP RAID concurrent-mode volume groups and enhanced concurrent-capable volume groups	51
Creating HACMP RAID concurrent-mode volume groups	51
Importing HACMP RAID concurrent-mode volume groups	52
Removing HACMP RAID concurrent-mode volume groups	54
Extending HACMP RAID concurrent-mode volume groups	55
Reducing HACMP RAID concurrent-mode volume groups	55

Exporting HACMP RAID concurrent-mode volume groups	56
Enhanced concurrent-capable volume groups	56
Creating enhanced concurrent-capable volume groups	57
Importing enhanced concurrent-capable volume groups	57
Extending enhanced concurrent-capable volume groups	58
Reducing enhanced concurrent-capable volume groups	58
Recovering paths that are lost during HACMP node failover	59
Supporting enhanced concurrent mode in an HACMP environment	59
SDD server daemon	60
Verifying if the SDD server has started	60
Starting the SDD server manually	61
Changing to a different port number for the SDD server	61
Stopping the SDD server	61
PTFs for APARs on AIX with Fibre Channel and the SDD server	61
Dynamically changing the SDD path-selection policy algorithm	62
datapath set device policy command	63
Dynamically opening an invalid or close_dead path	63
Fibre-channel Dynamic Device Tracking for AIX 5.20 ML1 (and later)	63
Understanding SDD 1.3.2.9 (or later) support for single-path configuration for supported storage devices	64
Understanding the persistent reserve issue when migrating from SDD to non-SDD volume groups after a system reboot	65
Managing secondary-system paging space	65
Listing paging spaces	65
Adding a paging space	65
Removing a paging space	66
Verifying load-balancing and failover protection	66
Displaying the supported storage device SDD vpath device configuration	66
Configuring volume groups for failover protection	67
Losing failover protection	69
Losing a device path	69
Creating a volume group from single-path SDD vpath devices	70
A side effect of running the disk change method	70
Manually deleting devices and running the configuration manager (cfgmgr)	71
Using LVM with SDD	72
Importing volume groups with SDD	72
Exporting a volume group with SDD	73
Recovering from mixed volume groups	74
Extending an existing SDD volume group	74
Backing up all files belonging to an SDD volume group	74
Restoring all files belonging to an SDD volume group	75
SDD-specific SMIT panels	75
Accessing the Display Data Path Device Configuration SMIT panel	76
Accessing the Display Data Path Device Status SMIT panel	77
Accessing the Display Data Path Device Adapter Status SMIT panel	77
Accessing the Define and Configure All Data Path Devices SMIT panel	77
Accessing the Add Paths to Available Data Path Devices SMIT panel	78
Accessing the Configure a Defined Data Path Device SMIT panel	78
Accessing the Remove a Data Path Device SMIT panel	78
Accessing the Add a Volume Group with Data Path Devices SMIT panel	78
Accessing the Add a Data Path Volume to a Volume Group SMIT panel	78
Accessing the Remove a Physical Volume from a Volume Group SMIT panel	79
Accessing the Backup a Volume Group with Data Path Devices SMIT panel	79
Accessing the Remake a Volume Group with Data Path Devices SMIT panel	80
SDD utility programs	80
addpaths	80

hd2vp and vp2hd	80
dpovgfix	81
lsvpCfg	81
mkvg4vp	82
extendvg4vp	83
querysn	83
lquerypr	84
sddgetdata	84
Persistent reserve command tool	84
Using supported storage devices directly	86
Using supported storage devices through AIX LVM.	86
Migrating a non-SDD volume group to a supported storage device SDD multipath volume group in concurrent mode	87
Detailed instructions for migrating a non-SDD volume group to a supported storage device SDD multipath volume group in concurrent mode.	89
Using the trace function	90
Chapter 3. Using SDDPCM on an AIX host system	93
Supported SDDPCM features	94
Unsupported SDDPCM features	95
Verifying the hardware and software requirements	95
Hardware	96
Software	96
Unsupported environments	96
Host system requirements	96
Supported storage device requirements	96
Fibre requirements	96
Preparing for SDDPCM installation	97
Preparing for SDDPCM installation for supported storage devices	98
Determining the correct installation package	98
Determining if the SDD package is installed	98
Determining if the ibm2105.rte package is installed	98
Determining if the devices.fcp.disk.ibm.rte package is installed	98
Installing the AIX fibre-channel device drivers.	99
Verifying and upgrading the fibre channel adapter firmware level	100
Verifying the adapter firmware level	100
Upgrading the adapter firmware level	100
Installing and upgrading SDDPCM	101
Creating and mounting the CD-ROM filesystem	101
Using the System Management Interface Tool facility to install SDDPCM	102
Unmounting the CD-ROM File System.	103
Updating and migrating SDDPCM	103
Updating SDDPCM packages by installing a newer base package or a program temporary fix	103
Committing or rejecting a program temporary fix update	105
Verifying the currently installed version of SDDPCM.	105
Maximum number of devices supported by SDDPCM	105
Migrating from SDDPCM to the AIX default PCM or to SDD	106
Configuring and unconfiguring supported storage MPIO-capable devices	106
Configuring supported storage MPIO-capable devices	106
Verifying the SDDPCM Configuration	106
Dynamically adding and removing paths or adapters	107
Unconfiguring supported storage MPIO-capable devices	108
Removing SDDPCM from an AIX host system	108
SDDPCM support for HACMP with Enhanced Concurrent Mode volume groups	109
MPIO reserve policies	110

I

No Reserve reservation policy	110
Exclusive Host Access single-path reservation policy	110
Persistent Reserve Exclusive Host Access reservation policy	110
Persistent Reserve Shared Host Access reservation policy	110
SDDPCM ODM attribute settings	111
SDDPCM ODM attribute default settings	111
Changing device reserve policies	111
Changing the path selection algorithm	112
Changing SDDPCM path healthcheck mode.	112
Changing SDDPCM path healthcheck time interval	113
AIX 5.2 ML07 (or later) or AIX 5.3 ML03 (or later) fibre-channel device driver features	113
Fast I/O failure of fibre-channel devices	113
Fibre channel dynamic device tracking.	114
Multipath SAN boot support.	115
Configuring supported storage system MPIO devices as the SAN boot device	115
Migrating the supported storage SAN boot device or non-boot volume group from AIX default PCM to SDDPCM	116
Support system dump device with the supported storage system MPIO device	117
Dynamically enabling and disabling paths or adapters	117
Dynamically enabling or disabling a path	117
Dynamically enabling or disabling an adapter	117
Using the SDDPCM trace function	118
SDDPCM server daemon	118
Verifying if the SDDPCM server has started	118
Starting the SDDPCM server manually.	119
Stopping the SDDPCM server	119
SDDPCM utility programs	119
Persistent reserve command tools	119
pcmquerypr.	119
pcmgenprkey	121
Using SDDPCM pcmpath commands	122
pcmpath clear device count.	124
pcmpath disable ports	125
pcmpath enable ports	127
pcmpath open device path	129
pcmpath query adapter	131
pcmpath query adaptstats	132
pcmpath query device	133
pcmpath query devstats	135
pcmpath query essmap	137
pcmpath query portmap	138
datapath query version	139
pcmpath query wwpn	140
pcmpath set adapter	141
pcmpath set device algorithm	142
pcmpath set device hc_interval	143
pcmpath set device hc_mode	144
pcmpath set device path	145
Summary of command syntax	146
Chapter 4. Using SDD on a HP-UX host system	147
Verifying the hardware and software requirements	147
Hardware	147
Software.	147

SDD-supported HPUX kernel levels	147
Unsupported environments	147
Understanding how SDD works on an HP-UX host system	148
Preparing for SDD installation	148
Configuring the disk storage system	148
Configuring the virtualization products	148
Planning for installation	148
Determining if the SDD 1.3.1.5 (or later) server for Expert is installed	149
Installing SDD	150
Upgrading SDD	151
Upgrading from SDD 1.6.0.x to SDD 1.6.1.0 or later with concurrent access	151
Performance during upgrade	152
Upgrading from SDD 1.5.0.4 to SDD 1.6.1.0 or later with nonconcurrent access.	152
Upgrading SDD 1.3.0.2 or earlier to SDD 1.5.0.4 or later	152
Configuring SDD	153
Changing an SDD hardware configuration	153
Converting a volume group	154
Dynamic reconfiguration	154
Dynamically changing the SDD path-selection policy algorithm	154
datapath set device policy command	155
Preferred node path-selection algorithm for the virtualization products	155
SDD datapath query adapter command changes for SDD 1.4.0.0 (or later)	156
SDD datapath query device command changes for SDD 1.4.0.0 (or later)	157
Postinstallation	158
Uninstalling SDD	161
SDD server daemon	161
Verifying if the SDD server has started.	162
Starting the SDD server manually	162
Changing to a different port number for the SDD server	162
Stopping the SDD server.	162
How to import and export volume groups	162
Exporting volume groups	163
Moving the map file.	163
Creating the volume group device directory	163
Creating the group special file	164
Importing volume groups	164
Exporting or importing MC Service Guard volume groups	164
Using applications with SDD	166
Standard UNIX applications.	166
Creating new logical volumes	167
Removing logical volumes	168
Re-creating the existing logical volumes	169
Installing SDD on a NFS file server	171
Setting up NFS for the first time	171
Installing SDD on a system that already has the NFS file server	172
Chapter 5. Using SDD on a Linux host system	173
Verifying hardware and software requirements	173
Hardware	173
Software	173
Unsupported environments	174
Preparing for SDD installation	174
Configuring disk storage systems.	174
Configuring virtualization products	174

Configuring fibre-channel adapters on disk storage systems	175
Configuring fibre-channel adapters on virtualization products	175
Disabling automatic Linux system updates	175
Installing SDD	175
Upgrading SDD	176
Verifying the SDD installation	177
Configuring SDD	178
Configuration and verification of SDD	179
SDD configuration	179
Verifying SDD configuration	180
Automatic SCSI disk device exclusion during SDD configuration	183
SDD userspace commands for reconfiguration	183
cfgvpath	183
rmvpath	184
lsvpcfg	184
addpaths	184
Configuring SDD at system startup	184
Maintaining SDD vpath device configuration persistence	185
Dynamically changing the SDD path-selection policy algorithm	186
datapath set device policy command	187
Dynamic reconfiguration	187
Uninstalling SDD	188
Mounting SDD devices with automount	188
Setting up automount	188
Configuring automount	189
Sample mount output	190
Using Linux Logical Volume Manager with SDD	191
Using LVM on SUSE	191
Using LVM on Red Hat	192
LVM 2 general configuration information	193
Booting Linux over the SAN with SDD	194
SAN Boot instructions for RHEL 3 with IBM SDD (x86).	194
Prerequisite steps	195
SAN boot configuration	196
SDD upgrade procedure	201
SAN Boot instructions for RHEL 3 with IBM SDD (ppc).	201
Prerequisite steps	202
SAN boot configuration	203
SDD upgrade procedure	209
SAN Boot Instructions for SLES 8 with IBM SDD (x86).	210
Prerequisite steps	210
SAN boot configuration	211
SDD upgrade procedure	218
SAN Boot Instructions for SLES 9 with IBM SDD (x86).	219
Prerequisite steps	219
SAN boot configuration	221
SDD upgrade procedure	225
SAN Boot instructions for SLES 9 with IBM SDD (ppc).	225
Prerequisite steps	225
SAN boot configuration	227
SDD upgrade procedure	232
SAN Boot Instructions for SLES 9 with IBM SDD (x86) and LVM 2	232
Prerequisite steps	233
SAN boot configuration	234
SAN Boot instructions for RHEL 4 with IBM SDD (x86).	240
Prerequisite steps	240

SAN boot configuration	241
SDD upgrade procedure	245
SAN Boot instructions for RHEL 4 with IBM SDD (ppc).	246
Prerequisite steps	246
SAN boot configuration	247
SDD upgrade procedure	251
SAN boot instructions for RHEL 4 with IBM SDD (x86) and LVM 2	252
Prerequisite steps	252
SAN boot configuration	254
Using lilo with SDD (remote boot) on x86.	259
Manually specifying disk geometry of the boot device	260
SDD server daemon	262
Verifying if the SDD server has started.	262
Starting the SDD server manually	262
Changing to a different port number for the SDD server	262
Stopping the SDD server.	262
Collecting trace information	263
Understanding SDD support for single-path configuration	263
Partitioning SDD vpath devices	263
Using standard UNIX applications	264
Procedures to handle common issues	264
Chapter 6. Using SDD on a NetWare host system	267
Verifying the hardware and software requirements	267
Hardware requirements	267
Software requirements	267
Supported environments	268
Unsupported environments	268
Disk storage system requirements	268
SCSI requirements	268
Fibre-channel requirements	269
Preparing for SDD installation	269
Configuring the disk storage system	269
Configuring fibre-channel adapters	269
Configuring SCSI adapters	270
Using a NetWare Compaq Server	270
Installing SDD.	271
Maximum number of LUNs	271
Configuring SDD.	271
Displaying the current version of the SDD	271
Features.	271
Automatic path detection, failover and selection	272
Manual operations using the datapath commands	272
Understanding SDD error recovery algorithms	273
Single-path mode	273
Multiple-path mode	273
Dynamic load balancing	274
Disk storage system logical unit detection	274
Error reporting and logging	274
SDD in NetWare-layered architecture	274
Display a single device for a multipath device	275
Removing SDD	275
Cluster setup for Novell NetWare 5.1	275
Cluster setup for Novell NetWare 6.0	275
Examples of commands output on the Console Window	275

Chapter 7. Using SDD on a Solaris host system	281
Verifying the hardware and software requirements	281
Hardware	281
Software	281
Supported environments	281
Unsupported environments	282
Understanding how SDD works on a Solaris host system	282
Preparing for SDD installation	282
Configuring disk storage systems	282
Configuring virtualization products	282
Determining if the SDD server for Expert is installed	282
Planning for installation	283
Installing SDD	284
Postinstallation	287
Verifying the SDD installation	289
Upgrading SDD	289
Configuring SDD	290
Changing an SDD hardware configuration	290
Option 1: Reconfigure the system and reconfigure SDD	290
Option 2: Dynamic reconfiguration	290
Dynamically changing the SDD path-selection policy algorithm	292
datapath set device policy command	292
Uninstalling SDD	293
Understanding SDD support for single-path configuration for disk storage system	294
SDD server daemon	294
Verifying if the SDD server has started	294
Starting the SDD server manually	294
Changing to a different port number for the SDD server	294
Stopping the SDD server	294
Using applications with SDD	295
Standard UNIX applications	295
Installing SDD on a NFS file server	295
Setting up NFS for the first time	295
Installing SDD on a system that already has the Network File System file server	296
Veritas Volume Manager	296
Oracle	297
Installing an Oracle database for the first time	297
Using a file system	297
Using raw partitions	298
Installing an SDD on a system that already has Oracle in place	299
If using a file system	299
If using raw partitions	299
Solaris Volume Manager (formerly Solstice DiskSuite)	301
Installing Solaris Volume Manager for the first time	301
Installing SDD on a system that already has Solstice DiskSuite in place	302
Setting up transactional volume for UFS logging on a new system	303
Installing vpath on a system that already has transactional volume for UFS logging in place	303
Chapter 8. Using SDD on a Windows NT host system	305
Verifying the hardware and software requirements	305
Hardware	305
Software	305
Unsupported environments	305

ESS requirements	306
Host system requirements	306
SCSI requirements	306
Fibre-channel requirements	306
Preparing for SDD installation	307
Configuring the ESS	307
Configuring fibre-channel adapters	307
Configuring SCSI adapters for ESS devices	307
Installing SDD	307
First-time installation	307
Upgrading SDD	308
Displaying the current version of SDD	309
Configuring SDD	309
Adding paths to SDD devices	309
Reviewing the existing SDD configuration information	309
Installing and configuring additional paths.	311
Verifying additional paths are installed correctly	311
Adding or modifying a multipath storage configuration to the supported storage device.	313
Reviewing the existing SDD configuration information	313
Adding new storage to an existing configuration	313
Verifying that new storage is installed correctly.	314
Uninstalling SDD.	315
Using high-availability clustering on an ESS.	315
Special considerations in the high-availability clustering environment.	315
Configuring a Windows NT cluster with SDD installed	316
Making the MoveGroup Service startup type automatic.	317
SDD server daemon	318
Verifying that the SDD server has started.	318
Starting the SDD server manually	318
Changing to a different port number for the SDD server	318
Stopping the SDD server.	318
Chapter 9. Using SDD on a Windows 2000 host system	319
Verifying the hardware and software requirements	319
Unsupported environments	319
Supported storage device requirements	319
Host system requirements	320
Fibre-channel requirements	320
Preparing for SDD installation	321
Configuring the supported storage device.	321
Configuring fibre-channel adapters	321
Configuring SCSI adapters for ESS devices.	321
Installing SDD.	322
First-time installation	322
Upgrading SDD	323
Displaying the current version of SDD	324
Configuring SDD.	324
Verifying the configuration	325
Activating additional paths	326
Verifying that additional paths are installed correctly.	326
Uninstalling SDD.	327
SAN boot support	328
Booting from a SAN device with Windows 2000 and SDD using Qlogic HBA <BIOS 1.43> or later	328

|
|

Bootling from a SAN device with Windows 2000 and SDD using an Emulex HBA <Firmware v3.92a2, v1.90.x5> or later	329
Limitations when bootling from a SAN boot device on a Windows 2000 host	330
Support for Windows 2000 clustering	331
Special considerations in the Windows 2000 clustering environment	331
Configuring a Windows 2000 cluster with SDD installed	331
Upgrading SDD in a two-node cluster environment	332
Uninstalling SDD in a two-node cluster environment.	332
SDD server daemon	333
Verifying if the SDD server has started.	333
Starting the SDD server manually	333
Changing to a different port number for the SDD server	333
Stopping the SDD server.	333
Chapter 10. Using SDD on a Windows Server 2003 host system	335
Verifying the hardware and software requirements	335
Unsupported environments	335
Disk storage system requirements	335
Host system requirements	336
SCSI requirements	336
Fibre-channel requirements	336
Preparing for SDD installation	337
Configuring the supported storage device.	337
Configuring fibre-channel adapters	337
Configuring SCSI adapters for ESS devices.	338
Installing SDD.	338
First-time installation	338
Upgrading SDD	340
Displaying the current version of SDD	341
Upgrading from a Windows NT host system to Windows Server 2003	341
Configuring SDD.	342
Verifying the configuration	342
Activating additional paths	343
Verifying that additional paths are installed correctly.	343
Uninstalling SDD.	345
SAN boot support	345
Bootling a SAN device with Windows Server 2003 and SDD using Qlogic HBA <BIOS 1.43> or later	345
Bootling a SAN device with IA64-bit Windows Server 2003 and SDD using a Qlogic HBA	346
Bootling from a SAN device with Windows Server 2003 and SDD using an EMULEX HBA <Firmware v3.92a2, v1.90.x5> or later	347
Support for Windows Server 2003 clustering	348
Special considerations in the Windows Server 2003 clustering environment	348
Configure Windows 2003 cluster with SDD installed.	349
Upgrading SDD in a two-node cluster environment	350
Uninstalling SDD in a two-node cluster environment.	350
SDD server daemon	350
Verifying if the SDD server has started.	350
Starting the SDD server manually	350
Changing to a different port number for the SDD server	351
Stopping the SDD server.	351
Chapter 11. Using SDDDSM on a Windows Server 2003 host system	353
Verifying the hardware and software requirements	353
Unsupported environments	353

	Host system requirements	354
	Fibre-channel requirements	354
	Preparing for SDDDSM installation	354
I	Configuring the supported storage device.	355
	Configuring fibre-channel adapters	355
	Installing SDDDSM	355
	First-time installation	355
	Upgrading SDDDSM	357
	Displaying the current version of SDDDSM	357
	Configuring SDDDSM	357
	Verifying the configuration	357
	Activating additional paths	358
	Verifying that additional paths are installed correctly	359
	Uninstalling SDDDSM	361
	SAN boot support	361
I	Remote boot support for 32-bit Windows Server 2003 using a QLogic HBA	361
I	Bootting from a SAN device with Windows 2003 and SDD using an Emulex	
I	HBA	362
	Support for Windows Server 2003 clustering	363
	Special considerations in the Windows Server 2003 clustering environment	363
I	Configuring a Windows 2003 cluster with SDDDSM installed	364
	Removing SDDDSM in a two-node cluster environment	365
	SDDDSM datapath command support	365
	SDDDSM server daemon	366
	Verifying if the SDDDSM server has started	366
	Starting the SDDDSM server manually.	366
	Changing to a different port number for the SDDDSM server	366
	Stopping the SDDDSM server	366
	Chapter 12. Using the SDD server and the SDDPCM server	367
	SDD server daemon	367
	Understanding how the SDD server daemon works	367
	Path reclamation	367
	Path probing	367
	sddsrv and the IBM TotalStorage Expert V.2.1.0	368
	sddsrv and IBM TotalStorage support for Geographically Dispersed Sites	
	for Microsoft Cluster Service	368
	SDDPCM server daemon	368
	sddsrv.conf and pcmsrv.conf file format	369
	Enabling or disabling the sddsrv or pcmsrv TCP/IP port	369
	Changing the sddsrv or pcmsrv TCP/IP port number	369
	Chapter 13. Using the datapath commands	371
I	datapath clear device count.	373
	datapath disable ports.	374
	datapath enable ports	375
	datapath open device path	376
	datapath query adapter	378
	datapath query adaptstats	380
	datapath query device	381
	datapath query devstats	384
	datapath query essmap	386
	datapath query portmap	387
I	datapath query version	389
	datapath query wwpn	390
	datapath remove adapter.	391

datapath remove device path	392
datapath set adapter	394
datapath set device policy	395
datapath set device path	396
datapath set qdepth	397
Appendix A. SDD and SDDPCM data collection for problem analysis	399
Enhanced trace capability for SDD	399
Using sddgetdata to collect information for problem determination	399
Enhanced trace capability for SDDPCM	400
Using sddpcmgetdata to collect information for problem determination	400
Appendix B. System log messages	401
AIX error and information messages	401
Windows log messages	402
Notices	405
Trademarks.	406
IBM agreement for licensed internal code.	407
Actions you must not take	408
Glossary	409
Index	429

Figures

1.	Multipath connections between a host system and the disk storage in a disk storage system . . .	5
2.	Multipath connections between a host system and the disk storage with SAN Volume Controller . . .	6
3.	SDDPCM in the protocol stack	93
4.	IBMsdd Driver 64-bit	151
5.	Example showing ESS devices to the host and path access to the ESS devices in a successful SDD installation on a Windows 2000 host system	323
6.	Example showing ESS devices to the host and path access to the ESS devices in a successful SDD installation on a Windows Server 2003 host system	340
7.	Example showing IBM SAN Volume Controller devices to the host and path access to the IBM SAN Volume Controller devices in a successful SDDDSM installation on a Windows Server 2003 host system	356

Tables

1.	Publications in the DS8000 library	xxv
2.	Publications in the DS6000 library	xxv
3.	Publications in the SAN Volume Controller library	xxvi
4.	Publications in the SAN File System library	xxvi
5.	SDD platforms that are supported by supported storage devices	1
6.	SDD in the protocol stack	2
7.	Package-naming relationship between SDD 1.3.3.x and SDD 1.4.0.0 (or later)	10
8.	SDD 1.4.0.0 (or later) installation packages for 32-bit and 64-bit applications on AIX 4.3.3 or later	18
9.	Major files included in the SDD installation package	19
10.	List of previously installed installation packages that are supported with the installation upgrade	21
11.	Maximum LUNs allowed for different AIX OS levels	34
12.	Recommended maximum paths supported for different number of LUNs on AIX 5.2 or above	34
13.	Recommended SDD installation packages and supported HACMP modes for SDD versions earlier than SDD 1.4.0.0	47
14.	Software support for HACMP 4.5 on AIX 4.3.3 (32-bit only), 5.1.0 (32-bit and 64-bit), 5.2.0 (32-bit and 64-bit)	48
15.	Software support for HACMP 4.5 on AIX 5.1.0 (32-bit and 64-bit kernel)	48
16.	PTFs for APARs on AIX with fibre-channel support and the SDD server daemon running	62
17.	SDD-specific SMIT panels and how to proceed	75
18.	Commands	122
19.	SDD installation scenarios	149
20.	Patches necessary for proper operation of SDD on HP-UX	149
21.	SDD components installed for HP-UX host systems	158
22.	System files updated for HP-UX host systems	158
23.	SDD commands and their descriptions for HP-UX host systems	159
24.	SDD components for a Linux host system	177
25.	Summary of SDD commands for a Linux host system	178
26.	SDD installation scenarios	283
27.	Operating systems and SDD package file names	284
28.	SDD components installed for Solaris host systems	287
29.	System files updated for Solaris host systems	287
30.	SDD commands and their descriptions for Solaris host systems	288
31.	Windows 2000 clustering SCSI-2 Reserve/Release and Persistent Reserve/Release support with MSCS	331
32.	Commands	371

About this guide

The IBM® System Storage™ Multipath Subsystem Device Driver (SDD) provides multipath configuration environment support for a host system that is attached to storage devices. It provides enhanced data availability, dynamic input/output (I/O) load balancing across multiple paths, and automatic path failover protection for the following host systems:

- IBM AIX®
- HP-UX
- Supported Linux distributions, levels, and architectures
- Novell Netware
- Sun Solaris
- Microsoft® Windows NT®
- Microsoft Windows® 2000
- Microsoft Windows Server 2003

The IBM System Storage Multipath Subsystem Device Driver Path Control Module (SDDPCM) provides AIX MPIO support. It is a loadable module. During the configuration of supported storage devices, SDDPCM is loaded and becomes part of the AIX MPIO Fibre Channel protocol device driver. The AIX MPIO-capable device driver with the SDDPCM module provides the same functions that SDD provides.

The IBM System Storage Multipath Subsystem Device Driver Device Specific Module (SDDDSM) provides multipath I/O support for Windows platforms based on the MPIO technology provided by Microsoft.

Who should use this book

This guide is intended for users who will install and configure IBM System Storage Multipath Subsystem Device Driver (SDD), IBM System Storage Multipath Subsystem Device Driver Path Control Module (SDDPCM), or IBM System Storage Multipath Subsystem Device Driver Device Specific Module (SDDDSM). The installer of SDD, SDDPCM, or SDDDSM should be:

- Familiar with the operating systems on which the driver will be installed
- Familiar with the storage systems on which the driver will be operated with
- Familiar with the applications used with the driver
- Aware of the procedures in this document
- Aware of related installation and service publications

Command syntax conventions

This section describes the notational conventions that this book uses.

Highlighting conventions

The following typefaces are used to show emphasis:

boldface

Text in **boldface** represents menu items and command names.

italics Text in *italics* is used to emphasize a word. In command syntax, it is used for variables for which you supply actual values.

monospace

Text in monospace identifies the commands that you type, samples of command output, examples of program code or messages from the system, and configuration state of the paths or volumes (such as Dead, Active, Open, Closed, Online, Offline, Invalid, Available, Defined).

Special characters conventions

The following special character conventions are used in this book:

* asterisks

Asterisks (*) are used as wildcard symbols to search for the beginning or remaining characters of the installation package name.

For example, the asterisks in the beginning and at the end of Sdd characters in the `1s1pp -1 *Sdd*` command are used as wildcard symbols to search for the characters `ibm...` and `...rte`.

... ellipsis

Ellipsis indicates that more commands are in the next command line.

< > Indicate optional parameters.

Summary of changes

This guide contains both information previously presented in the Second Edition (October 2005) of the *IBM System Storage Multipath Subsystem Device Driver User's Guide* and major technical changes to that information. All changes to this book are marked with a | in the left margin.

Note: For the last-minute changes that are not included in this guide, see the readme file on the SDD compact disc or visit the SDD Web site at:

www.ibm.com/servers/storage/support/software/sdd

New information

This edition includes the following new information:

- SDDPCM:
 - Support for SAN Volume Controller
 - Support for HACMP with enhanced concurrent mode volume groups
 - New **pcmpath query version** command
 - New **pcmpath clear device count** command
- SDDDSM:
 - Support for disk storage systems
- Datapath commands:
 - New **datapath query version** command
 - New **datapath clear device count** command
 - Multiplatform support for **datapath query device** and **datapath query devstats** commands

Discussion in this edition supports:

- IBM TotalStorage Enterprise Storage Server® (ESS)
- IBM TotalStorage DS8000®
- IBM TotalStorage DS6000®

- IBM TotalStorage SAN Volume Controller
 - IBM TotalStorage SAN File System (based on IBM Storage Tank™ technology)
- unless the sections are clearly labeled to support one or the other.

Modified information

This edition includes the following modified information:

- Removal of support for SAN Volume Controller for Cisco MDS 9000
- Updated SAN boot procedures for Linux
- Updated SDD installation procedure for Windows 2000 host system
- Updated procedures for SAN boot support for Windows 2000 host system
- Updated procedure for configuring a Windows 2000 cluster with SDD installed
- Updated SDD installation procedure for Windows 2003 host system
- Updated procedures for SAN boot support for Windows Server 2003 host system
- Updated procedure for configuring a Windows 2003 cluster with SDD installed
- Updated SDDDSM installation procedure
- Updated procedures for SAN boot support for SDDDSM
- Updated procedure for configuring a Windows 2003 cluster with SDDDSM installed
- Corrections as necessary

Related information

The tables in this section list and describe the following publications:

- The publications that make up the IBM TotalStorage Enterprise Storage Server (ESS) library
- The publications that make up the IBM TotalStorage DS8000 library
- The publications that make up the IBM TotalStorage DS6000 library
- The publications that make up the IBM TotalStorage SAN Volume Controller library
- The publications that make up the IBM TotalStorage SAN File System library
- Other IBM publications that relate to the ESS
- Non-IBM publications that relate to the ESS

See “Ordering IBM publications” on page xxvii for information about how to order publications. See “How to send your comments” on page xxix for information about how to send comments about the publications.

The ESS library

The following customer publications make up the ESS library. Unless otherwise noted, these publications are available in Adobe portable document format (PDF) on a compact disc (CD) that comes with the ESS. If you need additional copies of this CD, the order number is SK2T-8803. These publications are also available as PDF files by clicking the **Documentation link** on the following ESS Web site:

www.ibm.com/servers/storage/disk/ess/

See “IBM publications center” on page xxvii for information about ordering these and other IBM publications.

Title	Description	Order Number
<i>IBM TotalStorage Enterprise Storage Server: Copy Services Command-Line Interface Reference</i>	This guide describes the commands that you can use from the ESS Copy Services command-line interface (CLI) for managing your ESS configuration and Copy Services relationships. The CLI application provides a set of commands that you can use to write customized scripts for a host system. The scripts initiate predefined tasks in an ESS Copy Services server application. You can use the CLI commands to indirectly control peer-to-peer remote copy and IBM FlashCopy® configuration tasks within an ESS Copy Services server group.	SC26-7494 (See Note.)
<i>IBM TotalStorage Enterprise Storage Server: Configuration Planner for Open-Systems Hosts</i>	This guide provides guidelines and work sheets for planning the logical configuration of an ESS that attaches to open-systems hosts.	SC26-7477 (See Note.)
<i>IBM TotalStorage Enterprise Storage Server: Configuration Planner for S/390 and IBM @server zSeries Hosts</i>	This guide provides guidelines and work sheets for planning the logical configuration of an ESS that attaches to either the IBM S/390® and IBM @server zSeries® host system.	SC26-7476 (See Note.)
<i>IBM TotalStorage Enterprise Storage Server: Host Systems Attachment Guide</i>	This guide provides guidelines for attaching the ESS to your host system and for migrating to fibre-channel attachment from either a small computer system interface or from the IBM SAN Data Gateway.	SC26-7446 (See Note.)
<i>IBM TotalStorage Enterprise Storage Server: Introduction and Planning Guide</i>	This guide introduces the ESS product and lists the features you can order. It also provides guidelines for planning the installation and configuration of the ESS.	GC26-7444
<i>IBM TotalStorage Storage Solutions Safety Notices</i>	This publication provides translations of the danger notices and caution notices that IBM uses in ESS publications.	GC26-7229
<i>IBM TotalStorage Enterprise Storage Server: SCSI Command Reference</i>	This publication describes the functions of the ESS. It provides reference information, such as channel commands, sense bytes, and error recovery procedures for UNIX®, IBM Application System/400® (AS/400®), and @server iSeries™ 400 hosts.	SC26-7297
<i>IBM TotalStorage Enterprise Storage Server: Subsystem Device Driver User's Guide</i>	This publication describes how to use the IBM TotalStorage ESS Subsystem Device Driver (SDD) on open-systems hosts to enhance performance and availability on the ESS. SDD creates redundant paths for shared logical unit numbers. SDD permits applications to run without interruption when path errors occur. It balances the workload across paths, and it transparently integrates with applications. For information about SDD, go to the following Web site: www.ibm.com/servers/storage/support/software/sdd	SC26-7637
<i>IBM TotalStorage Enterprise Storage Server: User's Guide</i>	This guide provides instructions for setting up and operating the ESS and for analyzing problems.	SC26-7445 (See Note.)
<i>IBM TotalStorage Enterprise Storage Server: Web Interface User's Guide</i>	This guide provides instructions for using the two ESS Web interfaces, ESS Specialist and ESS Copy Services.	SC26-7448 (See Note.)

Title	Description	Order Number
<i>IBM TotalStorage Common Information Model Agent for the Enterprise Storage Server Installation and Configuration Guide</i>	This guide introduces the common interface model (CIM) concept and provides instructions for installing and configuring the CIM Agent. The CIM Agent acts as an open-system standards interpreter, allowing other CIM-compliant storage resource management applications (IBM and non-IBM) to interoperate with each other.	GC35-0485
<i>IBM TotalStorage Enterprise Storage Server Application Programming Interface Reference</i>	This reference provides information about the Application Programming Interface.	GC35-0489
<p>Note: No hardcopy book is produced for this publication. However, a PDF file is available from the following Web site:</p> <p>www.ibm.com/servers/storage/disk/ess/</p>		

The DS8000 library

The following publications make up the IBM System Storage DS8000 library. These publications are available at www.elink.ibm.link.ibm.com/public/applications/publications/cgibin/pbi.cgi.

Table 1. Publications in the DS8000 library

Title	Order number
<i>IBM System Storage DS8000 User's Guide</i>	SC26-7915
<i>IBM System Storage DS8000 Command Line Interface User's Guide</i>	SC26-7916
<i>IBM System Storage DS8000 Host Systems Attachment Guide</i>	SC26-7917
<i>IBM System Storage DS8000 Messages Reference</i>	GC26-7914
<i>IBM System Storage DS8000 Introduction and Planning Guide</i>	GC35-0515
<i>IBM System Storage DS Open Application Programming Interface Reference</i>	GC35-0516

The DS6000 library

The following publications make up the IBM System Storage DS6000 library. These publications are available at www.elink.ibm.link.ibm.com/public/applications/publications/cgibin/pbi.cgi.

Table 2. Publications in the DS6000 library

Title	Order number
<i>IBM System Storage DS6000 Installation, Troubleshooting, and Recovery Guide</i>	GC26-7925
<i>IBM System Storage DS6000 Introduction and Planning Guide</i>	GC26-7924
<i>IBM System Storage DS6000 Host System Attachment Guide</i>	GC26-7923
<i>IBM System Storage DS6000 Messages Reference</i>	GC26-7920

Table 2. Publications in the DS6000 library (continued)

Title	Order number
<i>IBM System Storage DS6000 Command Line Interface User's Guide</i>	GC26-7922
<i>IBM System Storage DS6000 Quick Start Guide</i>	GC26-7921

The SAN Volume Controller library

The following publications make up the IBM SAN Volume Controller library. These publications are available as Adobe PDFs on a compact disc (CD-ROM) that comes with SAN Volume Controller.

Table 3. Publications in the SAN Volume Controller library

Title	Order number
<i>IBM System Storage Virtualization Family: SAN Volume Controller Planning Guide</i>	GA32-0551-00
<i>IBM System Storage Virtualization Family: SAN Volume Controller Installation Guide</i>	GC26-7900-00
<i>IBM System Storage Virtualization Family: SAN Volume Controller Service Guide</i>	GC26-7901-00
<i>IBM System Storage Virtualization Family: SAN Volume Controller Configuration Guide</i>	SC26-7902-00
<i>IBM System Storage Virtualization Family: SAN Volume Controller Command-Line Interface User's Guide</i>	SC26-7903-00
<i>IBM System Storage Virtualization Family: SAN Volume Controller CIM Agent Developer's Reference</i>	SC26-7904-00
<i>IBM System Storage Virtualization Family: SAN Volume Controller Host Systems Attachment Guide</i>	SC26-7905-00

The SAN File System library

Table 4 shows the publications that are available in softcopy form in the SAN File System library.

Table 4. Publications in the SAN File System library

Title	Description	Order Number
<i>IBM TotalStorage SAN File System Release Notes</i>	This document provides any changes that were not available at the time the publications were produced. This document is available only from the technical support Web site: www.ibm.com/storage/support/	
<i>IBM TotalStorage SAN File System License Information</i>	This publication provides multilingual information regarding the software license for IBM TotalStorage SAN File System software.	GC30-9703
<i>IBM TotalStorage SAN File System Administrator's Guide and Reference</i>	This publication introduces the concept of SAN File System and provides instructions for configuring, managing, and monitoring the system using the SAN File System console and administrative command-line interfaces. This book also contains a commands reference for tasks that can be performed at the administrative command-line interface or the command window on the client machines.	GA27-4317

Table 4. Publications in the SAN File System library (continued)

Title	Description	Order Number
<i>IBM TotalStorage SAN File System Basic Configuration for a Quick Start</i>	This document walks you through basic SAN File System configuration and specific tasks that exercise basic SAN File System functions. It assumes that the physical configuration and software setup have already been completed.	GX27-4058
<i>IBM TotalStorage SAN File System Installation and Configuration Guide</i>	This publication provides detailed procedures to set up and cable the hardware, install and upgrade the SAN File System software, perform the minimum required configuration, and migrate existing data.	GA27-4316
<i>IBM TotalStorage SAN File System Maintenance and Problem Determination Guide</i>	This publication provides instructions for adding and replacing hardware components, upgrading software, monitoring and troubleshooting the system, and resolving hardware and software problems. Note: This document is intended only for trained service personnel.	GA27-4318
<i>IBM TotalStorage SAN File System Messages Reference</i>	This publication contains message description and resolution information for errors that can occur in the SAN File System software.	GC30-4076
<i>IBM TotalStorage SAN File System Planning Guide</i>	This publication provides detailed procedures to plan the installation and configuration of SAN File System.	GA27-4344
<i>IBM TotalStorage SAN File System System Management API Guide and Reference</i>	This publication contains guide and reference information for using the CIM Proxy application programming interface (API), including common and SAN File System-specific information.	GA27-4315
<p>Note: The softcopy version of this guide and the other related publications are accessibility-enabled for the IBM Home Page Reader.</p> <p>The softcopy publications support the SAN File System system and they are available on the <i>IBM TotalStorage SAN File System CD</i> that came with your appliance and at www.ibm.com/storage/support/</p>		

Ordering IBM publications

This section tells you how to order copies of IBM publications and how to set up a profile to receive notifications about new or changed publications.

IBM publications center

The publications center is a worldwide central repository for IBM product publications and marketing material.

The IBM publications center offers customized search functions to help you find the publications that you need. Some publications are available for you to view or download free of charge. You can also order publications. The publications center displays prices in your local currency. You can access the IBM publications center through the following Web site:

www.ibm.com/shop/publications/order/

Publications notification system

The IBM publications center Web site offers you a notification system for IBM publications. Register and you can create your own profile of publications that interest you. The publications notification system sends you a daily e-mail that contains information about new or revised publications that are based on your profile.

If you want to subscribe, you can access the publications notification system from the IBM publications center at the following Web site:

www.ibm.com/shop/publications/order/

How to send your comments

Your feedback is important to help us provide the highest quality information. If you have any comments about this book, you can submit them in one of the following ways:

- E-mail
 - Internet: starpubs@us.ibm.com
 - IBMLink™ from U.S.A: STARPUBS at SJEVM5
 - IBMLink from Canada: STARPUBS at TORIBM
 - IBM Mail Exchange: USIB3WD at IBMMAIL

Be sure to include the name and order number of the book and, if applicable, the specific location of the text you are commenting on, such as a page number or table number.

- Mail or fax

Fill out the Readers' Comments form (RCF) at the back of this book. Return it by mail or fax (1-800-426-6209), or give it to an IBM representative. If the RCF has been removed, you can address your comments to:

International Business Machines Corporation
Information Development
Department GZW
9000 South Rita Road
Tucson, AZ 85744-0001
U.S.A.

Chapter 1. Overview of SDD

SDD provides the multipath configuration environment support for a host system that is attached to:

- IBM TotalStorage Enterprise Storage Server (ESS)
- IBM System Storage DS8000
- IBM System Storage DS6000
- IBM System Storage SAN Volume Controller

as well as a host system that is using IBM TotalStorage SAN File System.

The IBM System Storage Multipath Subsystem Device Driver (SDD) provides the multipath configuration environment support for a host system that is using an IBM TotalStorage SAN File System.

In this guide:

- The phrase *supported storage devices* will be used to refer to the following types of devices:
 - ESS
 - DS8000
 - DS6000
 - SAN Volume Controller
- The phrase *disk storage system* will be used to refer to ESS, DS8000, or DS6000 devices.
- The phrase *virtualization product* will be used to refer to SAN Volume Controller. Table 5 indicates the products that different SDD platforms support.

Table 5. SDD platforms that are supported by supported storage devices

	Supported storage device			
	ESS	DS8000	DS6000	SAN Volume Controller
AIX SDD	✓	✓	✓	✓
AIX SDDPCM	✓	✓	✓	✓
HP	✓	✓	✓	✓
Linux	✓	✓	✓	✓
Novell	✓	✓	✓	
SUN	✓	✓	✓	✓
Windows NT	✓			✓
Windows 2000	✓	✓	✓	✓
Windows 2003	✓	✓	✓	✓
Windows SDDDSM	✓	✓	✓	✓

SDD provides multipath configuration environment support for a host system that is attached to storage devices. It provides enhanced data availability, dynamic input/output (I/O) load balancing across multiple paths, and automatic path failover protection.

This guide provides step-by-step procedures on how to install, configure, and use SDD features on the following host systems:

- IBM AIX® (SDD and SDDPCM)
- HP-UX
- Supported Linux distributions, levels, and architectures. For up to date information about specific kernel levels supported in this release, refer to the Readme file on the CD-ROM or visit the SDD Web site:
www.ibm.com/servers/storage/support/software/sdd
- Novell Netware (disk storage systems only)
- Sun Solaris
- Microsoft® Windows NT®
- Microsoft Windows® 2000
- Microsoft Windows Server 2003 (SDD and SDDDSM)

The SDD architecture

SDD is a software solution to support the multipath configuration environments in supported storage devices. It resides in a host system with the native disk device driver and provides the following functions:

- Enhanced data availability
- Dynamic input/output (I/O) load balancing across multiple paths
- Automatic path failover protection
- Concurrent download of licensed machine code

Table 6 shows the position of SDD in the protocol stack. I/O operations that are sent to SDD proceed to the host disk driver after path selection. When an active path experiences a failure (such as a cable or controller failure), SDD switches to another path dynamically.

Table 6. SDD in the protocol stack

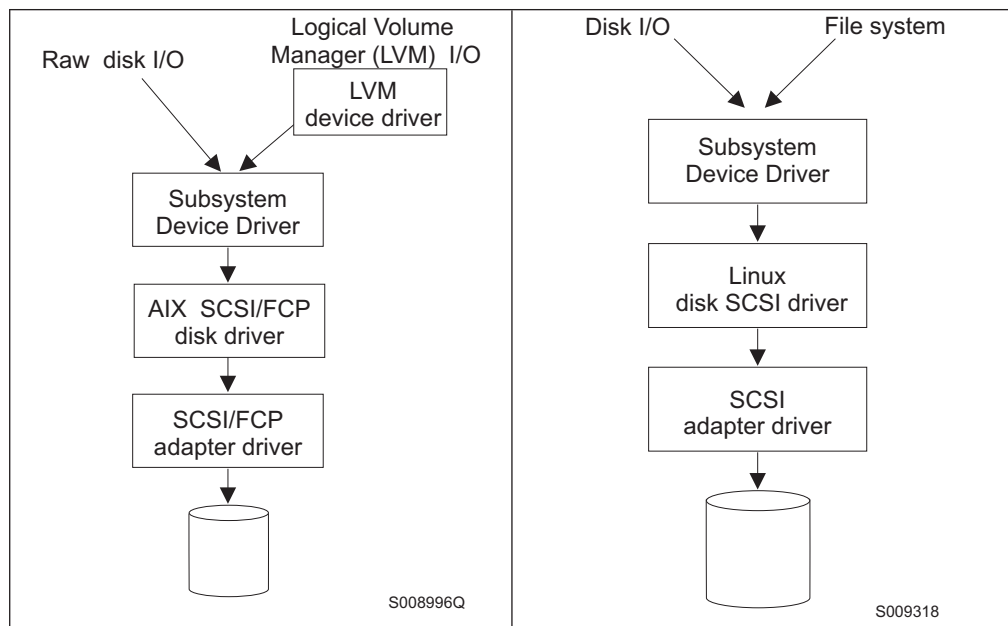


Table 6. SDD in the protocol stack (continued)

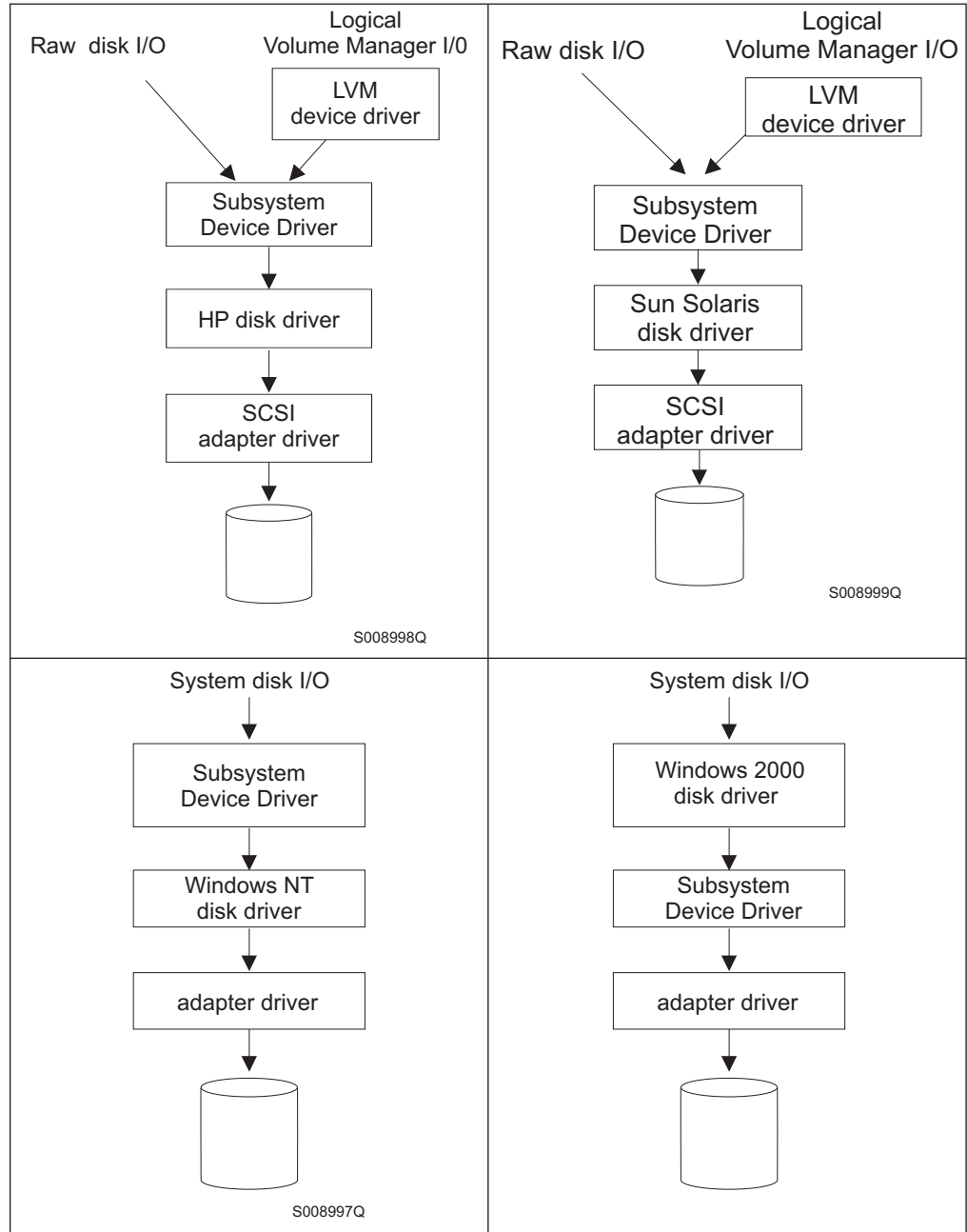
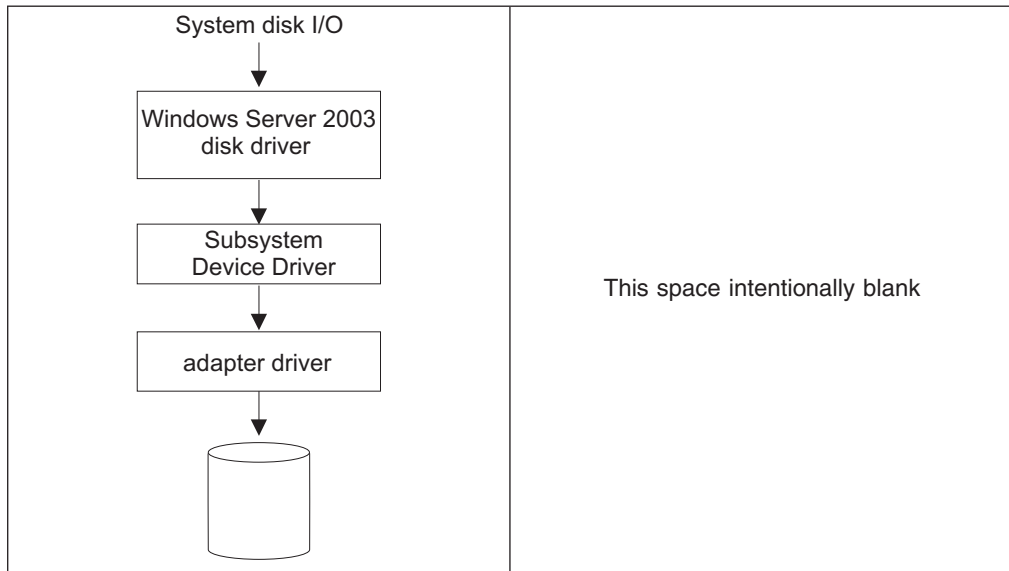


Table 6. SDD in the protocol stack (continued)



Each SDD vpath device represents a unique physical device on the storage server. Each physical device is presented to the operating system as an operating system disk device. There can be up to 32 operating system disk devices that represent up to 32 different paths to the same physical device.

SDD vpath devices behave almost like native operating system disk devices. You can use most disk device operations of operating systems on SDD vpath devices, including commands such as **open**, **close**, **dd**, or **fsck**.

Enhanced data availability

Figure 1 on page 5 shows a host system that is attached through small computer system interface (SCSI) or fibre-channel adapters to a disk storage system that has internal component redundancy and multipath configuration. SDD, residing in the host system, uses this multipath configuration to enhance data availability. That is, when there is a path failure, SDD reroutes I/O operations from the failing path to an alternate operational path. This capability prevents a single failing bus adapter on the host system, SCSI or fibre-channel cable, or host-interface adapter on the disk storage system from disrupting data access.

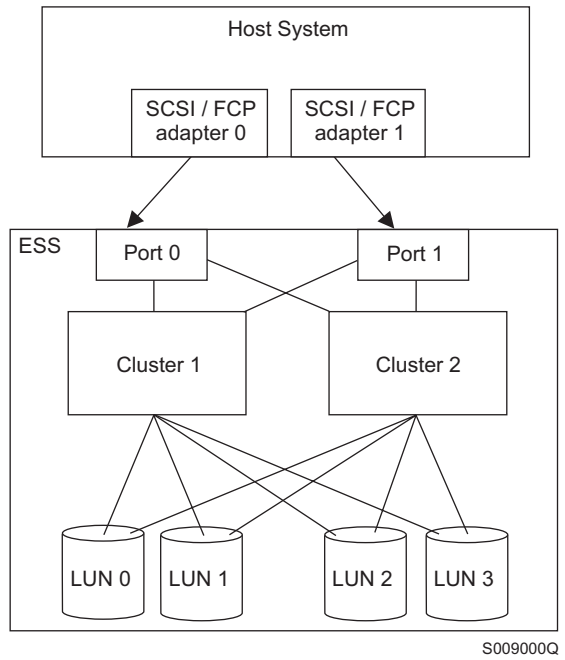


Figure 1. Multipath connections between a host system and the disk storage in a disk storage system

Figure 2 shows a host system that is attached through fibre-channel adapters to a SAN Volume Controller that has internal components for redundancy and multipath configuration. SDD, residing in the host system, uses this multipath configuration to enhance data availability. That is, when there is a path failure, SDD reroutes I/O operations from the failing path to an alternate operational path. This capability prevents a single failing bus adapter on the host system, fibre-channel cable, or host-interface adapter on the SAN Volume Controller from disrupting data access.

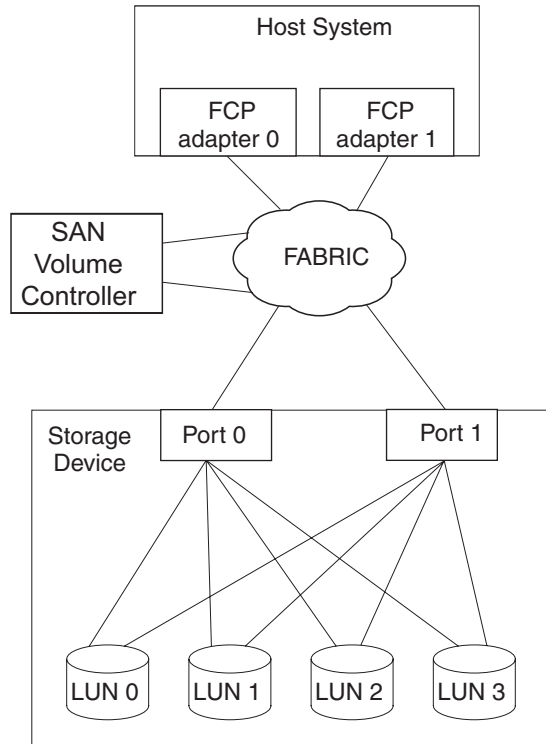


Figure 2. Multipath connections between a host system and the disk storage with SAN Volume Controller

Note: SAN Volume Controller does not support parallel SCSI attachment.

Dynamic I/O load balancing

By distributing the I/O workload over multiple active paths, SDD provides dynamic load balancing and eliminates dataflow bottlenecks. In the event of failure in one data path, SDD automatically switches the affected I/O operations to another active data path, ensuring path-failover protection.

Automatic path-failover protection

The SDD failover protection feature minimizes any disruptions in I/O operations and recovers I/O operations from a failing data path. SDD provides path-failover protection by using the following process:

- Detect a path failure.
- Notify the host system of the path failure.
- Select and use an alternate data path.

SDD dynamically selects an alternate I/O path when it detects a software or hardware problem.

Some operating system drivers report each detected error in the system error log. With SDD's automatic path-failover feature, some reported errors are actually recovered from an alternative path.

Concurrent download of licensed machine code for disk storage systems

With SDD multipath mode (configured with at least two paths per SDD vpath device), you can concurrently download and install the licensed machine code (LMC) while applications continue to run. For certain disk storage system LMC, the disk storage system I/O bay or tower will be quiesced and resumed. Its adapters might not respond for the duration of the service action, which could be 30 minutes or more.

Note: SDD does not support single-path mode during the concurrent download of LMC. Also, SDD does not support single-path mode during any disk storage system concurrent maintenance that impacts the path attachment, such as a disk storage system host-bay-adapter replacement.

Attention: You should not shut down the host or reconfigure SDD during concurrent download of licensed machine code or you might lose your initial SDD configuration.

For information about performing concurrent download of LMC for ESS, refer to the microcode installation instructions for your specific type and model.

Concurrent download of licensed machine code for virtualization products

With SDD multipath mode (configured with at least two paths per SDD vpath device), you can concurrently download and install the licensed machine code while applications continue to run.

At least one path must be configured through each node of a virtualization product group. That is, if only two paths exist, then they must go to separate nodes for each I/O group. However, at least two paths to each node are recommended.

During the code upgrade, each node of an I/O group is upgraded sequentially. The node that is being upgraded is temporarily unavailable, and all I/O operations to that node fail. However, failed I/O operations are directed to the other node of the I/O group, and applications should not see any I/O failures.

Attention: You should not shut down the host or reconfigure SDD during concurrent download of licensed machine code or you might lose your initial SDD configuration.

For information about performing concurrent download of LMC for virtualization products, refer to the Configuration Guide for your specific type and model.

Preferred node path-selection algorithm for the virtualization products

Virtualization products are two-controller disk subsystems. SDD distinguishes the paths to a virtualization product LUN as follows:

1. Paths on the preferred controller
2. Paths on the alternate controller

When SDD selects paths for I/O, preference is always given to a path on the preferred controller. Therefore, in the selection algorithm, an initial attempt is made to select a path on the preferred controller. Only if no path can be used on the preferred controller will a path be selected on the alternate controller. This means that SDD will automatically fail back to the preferred controller any time a path on the preferred controller becomes available during either manual or automatic recovery. Paths on the alternate controller are selected at random. If an error occurs and a path retry is required, retry paths are first selected on the preferred controller. If all retries fail on the preferred controller's paths, then paths on the alternate controller will be selected for retry. The following is the path selection algorithm for SDD:

1. With all paths available, I/O is only routed to paths on the preferred controller.
2. If no path on the preferred controller is available, I/O fails over to the alternate controller.
3. When failover to the alternate controller has occurred, if a path on the preferred controller is made available, I/O automatically fails back to the preferred controller.

The following output of the **datapath query device** command shows that the preferred paths are being selected and shows the format of the virtualization product serial number.

```
DEV#: 0 DEVICE NAME: Disk0 Part0 TYPE: 2145 POLICY: OPTIMIZED
SERIAL: 6005676801800005F800000000000004
=====
Path# Adapter/Hard Disk State Mode Select Errors
0 Scsi Port4 Bus0/Disk0 Part0 OPEN NORMAL 501876 0
1 Scsi Port4 Bus0/Disk0 Part0 OPEN NORMAL 501238 0
2 Scsi Port4 Bus0/Disk0 Part0 OPEN NORMAL 0 0
3 Scsi Port4 Bus0/Disk0 Part0 OPEN NORMAL 0 0
4 Scsi Port5 Bus0/Disk0 Part0 OPEN NORMAL 499575 0
5 Scsi Port5 Bus0/Disk0 Part0 OPEN NORMAL 500698 0
6 Scsi Port5 Bus0/Disk0 Part0 OPEN NORMAL 0 0
7 Scsi Port5 Bus0/Disk0 Part0 OPEN NORMAL 0 0
```

Chapter 2. Using SDD on an AIX host system

This chapter provides step-by-step procedures for installing, configuring, upgrading, and removing SDD on an AIX host system that is attached to a supported storage device.

Starting from SDD 1.4.0.5, SDD supports the coexistence of ESS and SAN Volume Controller devices.

Starting from SDD 1.6.0.0, SDD supports the coexistence of all supported storage devices.

SAN File System might require a specific version of SDD for multipathing support to disk storage systems and SAN Volume Controller devices. Refer to SAN File System documentation shown in Table 4 on page xxvi for the latest information about the version of SDD that is required by SAN File System.

For updated and additional information that is not included in this chapter, see the Readme file on the CD-ROM or visit the SDD Web site:

www.ibm.com/servers/storage/support/software/sdd

Supported SDD features

The following SDD features are supported in this release:

- 32- and 64-bit kernels
- Support for ESS, DS8000, DS6000 and virtualization products
- Preferred node path-selection algorithm for DS6000 and virtualization products
- Changing the SDD path-selection algorithm dynamically. Five path-selection algorithms are supported:
 - Failover
 - Round robin
 - Round robin sequential
 - Load balancing
 - Load balancing sequential
- Dynamically adding paths to SDD vpath devices
- Dynamically opening an invalid or close_dead path
- Dynamically removing or replacing PCI adapters or paths
- Fibre-channel dynamic device tracking
- SDD server daemon support
- Support for HACMP
- Support for secondary-system paging
- Support for load-balancing and failover protection for AIX applications and LVM
- SDD utility programs
- Support for SCSI-3 persistent reserve functions
- Support for AIX trace functions
- Support more than 512 SAN Volume Controller devices from multiple SAN Volume Controller clusters on an AIX host

- Storage I/O priority feature in DS6000 and DS8000, only with AIX 5.3E or later and with 64-bit kernel
 - Virtual I/O Server with AIX 5.3
- For more information about Virtual I/O Server, refer to the following Web site:<http://www14.software.ibm.com/webapp/set2/sas/f/vios/documentation/home.html>

Verifying the hardware and software requirements

You must install the following hardware and software components to ensure that SDD installs and operates successfully.

Hardware

The following hardware components are needed:

- One or more supported storage devices.
- A switch if using a SAN Volume Controller (no direct attachment allowed for SAN Volume Controller)
- Host system
- SCSI adapters and cables (for ESS only)
- Fibre-channel adapters and cables

Software

The following software components are needed:

- AIX operating system. Note that starting from SDD 1.6.1.0, the SDD package for AIX 5.3 (devices.sdd.53.rte) requires AIX 5.3E with APAR IY76997.
- SCSI and fibre-channel device drivers
- ibm2105.rte package for ESS devices (devices.scsi.disk.ibm2105.rte or devices.fcp.disk.ibm2105.rte package if using NIM)
- devices.fcp.disk.ibm.rte for DS8000, DS6000, and SAN Volume Controller

Packages for SDD 1.4.0.0 (and later) will be using new package names in order to comply with AIX packaging rules and allow for NIM installation. Table 7 shows the package-naming relationship between SDD 1.3.3.x and SDD 1.4.0.0 (or later).

Table 7. Package-naming relationship between SDD 1.3.3.x and SDD 1.4.0.0 (or later)

SDD 1.3.3.x	SDD 1.4.0.0 (or later)	Notes
ibmSdd_432.rte	N/A	Obsolete. This package has been merged with devices.sdd.43.rte.
ibmSdd_433.rte	devices.sdd.43.rte	N/A
ibmSdd_510.rte	N/A	Obsolete. This package has been merged with devices.sdd.51.rte.
ibmSdd_510nchacmp.rte	devices.sdd.51.rte	N/A
N/A	devices.sdd.52.rte	New package for AIX 5.2.0 (or later).
N/A	devices.sdd.53.rte	New package for AIX 5.3.0 (or later).

Notes:

1. SDD 1.4.0.0 (or later) no longer releases separate packages for concurrent and nonconcurrent High Availability Cluster Multi-Processing (HACMP). Both concurrent and nonconcurrent HACMP functions are now incorporated into one package for each AIX kernel level.
2. A persistent reserve issue arises when migrating from SDD to non-SDD volume groups after a reboot. This special case only occurs if the volume group was varied on prior to the reboot and auto varyon was not set when the volume group was created. See “Understanding the persistent reserve issue when migrating from SDD to non-SDD volume groups after a system reboot” on page 65 for more information.

Unsupported environments

SDD does not support:

- A host system with both a SCSI and fibre-channel connection to a shared ESS logical unit number (LUN).
- Placing system primary paging devices (for example, /dev/hd6) on an SDD vpath device
- Any application that depends on a SCSI-2 reserve and release device on AIX
- Single-path mode during concurrent download of licensed machine code nor during any disk storage systems concurrent maintenance that impacts the path attachment, such as a disk storage systems host-bay-adapter replacement
- Multipathing to a system boot device
- Configuring SDD vpath devices as system primary or secondary dump devices
- More than 600 SDD vpath devices if the host system is running AIX 4.3.3 or AIX 5.1.0
- More than 1200 SDD vpath devices if the host system is running AIX 5.2 or AIX 5.3
- DS8000, DS6000, and SAN Volume Controller with SCSI connectivity
- Multiple AIX servers without SDD-supported clustering software, such as HACMP, installed

Host system requirements

To successfully install SDD for supported storage devices, you must have AIX 4.3, AIX 5.1, AIX 5.2 or AIX 5.3 installed on your host system. Note that starting from SDD 1.6.1.0, the SDD package for AIX 5.3 (devices.sdd.53.rte) requires AIX 5.3E with APAR IY76997.

You **must** check for and download the latest authorized program analysis reports (APARS), maintenance-level fixes, and microcode updates from the following Web site:

www-03.ibm.com/servers/eserver/support/unixservers/aixfixes.html

Disk storage systems requirements

To successfully install SDD:

Ensure that the disk storage system devices are configured as:

- For ESS:
 - IBM 2105xxx (SCSI-attached device)
where xxx represents the disk storage system model number.
 - IBM FC 2105 (fibre-channel-attached device)

- For DS8000, IBM FC 2107
- For DS6000, IBM FC 1750

Virtualization products requirements

To successfully install SDD, ensure that the SAN Volume Controller devices are configured as SAN Volume Controller Device (fibre-channel-attached device).

SCSI requirements for ESS

To use the SDD SCSI support for ESS, ensure that your host system meets the following requirements:

- The bos.adt package is installed. The host system can be a single processor or a multiprocessor system, such as Symmetric Multi-Processor (SMP).
- A SCSI cable connects each SCSI host adapter to a disk storage system port.
- If you need the SDD input/output (I/O) load-balancing and failover features, ensure that a minimum of two SCSI adapters are installed.

For information about the SCSI adapters that can attach to your AIX host system, go to the following Web site:

www.ibm.com/servers/eserver/support/unixservers/index.html

Fibre requirements

You must check for and download the latest fibre-channel device driver APARs, maintenance-level fixes, and microcode updates from the following Web site:

www.ibm.com/servers/eserver/support/unixservers/index.html

Notes:

1. If your host has only one fibre-channel adapter, it requires you to connect through a switch to multiple disk storage system ports. You should have at least two fibre-channel adapters to prevent data loss due to adapter hardware failure or software failure.
2. The SAN Volume Controller **always** requires that the host be connected through a switch. Refer to the *IBM System Storage Virtualization Family: SAN Volume Controller Installation Guide*.

For information about the fibre-channel adapters that can be used on your AIX host system, go to the following Web site:

www-1.ibm.com/servers/storage/support

To use the SDD fibre-channel support, ensure that your host system meets the following requirements:

- The AIX host system is an IBM RS/6000™ or IBM System p™ with AIX 4.3.3 (or later).
- The AIX host system has the fibre-channel device drivers installed along with all latest APARs.
- The bos.adt package is installed. The host system can be a single processor or a multiprocessor system, such as SMP.
- A fiber-optic cable connects each fibre-channel adapter to a disk storage system port.
- A fiber-optic cable connects each SAN Volume Controller fibre-channel adapter to a switch. The switch must also be configured correctly. Refer to the *IBM System Storage Virtualization Family: SAN Volume Controller Configuration Guide* for information about the SAN Volume Controller.

- If you need the SDD I/O load-balancing and failover features, ensure that a minimum of two paths to a device are attached.

Preparing for SDD installation

Before you install SDD, you must perform the tasks identified in the following sections:

- Configuring the disk storage system
- Configuring the virtualization products
- Installing the AIX fibre-channel device drivers
- Configuring fibre-channel-attached devices
- Verifying the adapter firmware level
- Determining if the sddServer for Expert is installed
- Determining the installation package
- Determining the installation type

Note: SDD allows the manual exclusion of supported devices from the SDD configuration. If you want to manually exclude supported devices (hdisks) from the SDD configuration, you must use the **querysn** command before configuring SDD vpath devices. The **querysn** command reads the unique serial number of a device (hdisk) and saves the serial number in an exclude file. For detailed information about the **querysn** command, see “Manual exclusion of devices from the SDD configuration” on page 46.

Configuring the disk storage system

Before you install SDD, you must configure:

- The disk storage system to your host system.
- A minimum of two independent paths that share the same logical unit. With a single-path configuration, failover protection is not provided.

For more information about how to configure your disk storage system, refer to the *IBM TotalStorage Enterprise Storage Server: Introduction and Planning Guide*.

Note: Ensure that the correct host attachment package for your storage device is installed on the host system.

Configuring the virtualization products

Before you install SDD, you must configure:

- The virtualization product to your host system.
- SDD requires a minimum of two independent paths that share the same logical unit. With a single-path configuration, failover protection is not provided.

For more information about how to configure your IBM SAN Volume Controller, refer to the *IBM System Storage Virtualization Family: SAN Volume Controller Configuration Guide*.

Note: Ensure that the devices.fcp.disk.ibm.rte host attachment package is installed before configuring the virtualization product.

Installing the AIX fibre-channel device drivers

You must check for the latest information on fibre-channel device driver APARs, maintenance-level fixes, and microcode updates at the following Web site:

www-1.ibm.com/servers/storage/support/

Perform the following steps to install the AIX fibre-channel device drivers from the AIX compact disk:

1. Log in as the root user.
2. Load the compact disc into the CD-ROM drive.
3. From your desktop window, enter **smitty install_update** and press **Enter** to go directly to the installation panels. The Install and Update Software menu is displayed.
4. Select **Install Software** and press **Enter**.
5. Press **F4** to display the INPUT Device/Directory for Software panel.
6. Select the compact disc drive that you are using for the installation; for example, `/dev/cd0`, and press **Enter**.
7. Press **Enter** again. The Install Software panel is displayed.
8. Select **Software to Install** and press **F4**. The Software to Install panel is displayed.
9. The fibre-channel device drivers include the following installation packages:

devices.pci.df1000f9

The adapter device driver for RS/6000 or IBM System p with feature code 6228.

devices.pci.df1000f7

The adapter device driver for RS/6000 or IBM System p with feature code 6227.

devices.common.IBM.fc

The FCP protocol driver.

devices.fcp.disk

The FCP disk driver.

devices.pci.df1080f9

The adapter device driver for RS/6000 or IBM System p with feature code 6239.

Select each one by highlighting it and pressing **F7**.

10. Press **Enter**. The Install and Update from LATEST Available Software panel is displayed with the name of the software you selected to install.
11. Check the default option settings to ensure that they are what you need.
12. Press **Enter** to install. SMIT responds with the following message:

```
+-----+
| ARE YOU SURE??
| Continuing may delete information you may want to keep. 413
| This is your last chance to stop before continuing. 415
+-----+
```

13. Press **Enter** to continue. The installation process can take several minutes to complete.
14. When the installation is complete, press **F10** to exit from SMIT. Remove the compact disc.

15. Check to see if the correct APARs are installed by issuing the following command:

```
instfix -i | grep IYnnnnn
```

where *nnnnn* represents the APAR numbers.

If the APARs are listed, that means that they are installed. If they are installed, go to “Configuring fibre-channel-attached devices.” Otherwise, go to step 3.

16. Repeat steps 1 through 14 to install the APARs.

Uninstalling the AIX fibre-channel device drivers

The following steps describe how to uninstall the AIX fibre-channel device drivers. There are two methods for uninstalling all of your fibre-channel device drivers:

- **smitty deinstall** command
- **installp** command

Using the smitty deinstall command

Perform the following steps to use the **smitty deinstall** command:

1. Enter **smitty deinstall** at the AIX command prompt and press **Enter**. The Remove Installed Software panel is displayed.
2. Press **F4**. All of the software that is installed is displayed.
3. Select the file name of the fibre-channel device driver that you want to uninstall. Press **Enter**. The selected file name is displayed in the **Software Name** field of the Remove Installed Software panel.
4. Use the Tab key to toggle to **No** in the **PREVIEW Only?** field. Press **Enter**. The uninstallation process begins.

Using the installp command

Perform the following steps to use the **installp** command from the AIX command line:

1. Enter **installp -ug devices.pci.df1000f9** and press **Enter**.
2. Enter **installp -ug devices.pci.df1000f7** and press **Enter**.
3. Enter **installp -ug devices.pci.df1080f9** and press **Enter**.
4. Enter **installp -ug devices.common.IBM.fc** and press **Enter**.
5. Enter **installp -ug devices.fcp.disk** and press **Enter**.

Configuring fibre-channel-attached devices

The newly installed fibre-channel-attached devices must be configured before you can use them. Use one of the following commands to configure these devices:

- **cfgmgr** command

Note: If operating in a switched environment, the **cfgmgr** command must be executed once for each host adapter each time new devices are added.

After the command prompt appears, use the **lsdev -Cc disk** command to check the Fibre Channel Protocol (FCP) disk configuration. If the FCP devices are configured correctly, they should be in the *Available* state. If the FCP devices are configured correctly, go to “Verifying the adapter firmware level” on page 16 to determine if the proper firmware level is installed.

- **shutdown -rF** command to restart the system.

After the system restarts, use the **lsdev -Cc disk** command to check the Fibre Channel Protocol (FCP) disk configuration. If the FCP devices are configured

correctly, they should be in the *Available* state. If the FCP devices are configured correctly, go to “Verifying the adapter firmware level” to determine if the proper firmware level is installed.

Removing fibre-channel-attached devices

To remove all fibre-channel-attached devices, you must enter the following command for each installed FCP adapter:

```
rmdev -d1 fcsN -R
```

where *N* is the FCP adapter number. For example, if you have two installed FCP adapters (adapter 0 and adapter 1), you must enter both of the following commands:

```
rmdev -d1 fcs0 -R
rmdev -d1 fcs1 -R
```

Verifying the adapter firmware level

You must verify that your current adapter firmware is at the latest level. If your current adapter firmware is not at the latest level, you must upgrade to a new adapter firmware (microcode). To check the current supported firmware level for fibre-channel adapters, go to the following Web site:

<http://www14.software.ibm.com/webapp/set2/firmware/gjsn>

Tip:

- The current firmware level for the FC 6227 adapter is 3.30X1
- The current firmware level for the FC 6228 adapter is 3.91X4
- The current firmware level for the FC 6239 adapter is 1.81X3

Perform the following steps to verify the firmware level that is currently installed:

1. Enter the **lscfg -vl fcsN** command. The vital product data for the adapter is displayed.
2. Look at the **ZB** field. The **ZB** field should look similar to:

```
Device Specific.(ZB).....S2F3.30X1
```

To verify the firmware level, ignore the first three characters in the ZB field. In the example, the firmware level is 3.22A1

3. If the adapter firmware level is at the latest level, there is no need to upgrade; otherwise, the firmware level must be upgraded. For instructions on upgrading the firmware level, refer to the description for each firmware at:

<http://www14.software.ibm.com/webapp/set2/firmware/gjsn>

Determining if the `sddServer for Expert` is installed

If you previously installed the *standalone* version of the `sddServer` for IBM TotalStorage Expert V2R1 (ESS Expert) on your AIX host system, you must remove this stand-alone version of `sddServer` before you proceed with SDD 1.3.3.9 (or later) installation. The installation package for SDD 1.3.3.9 (or later) includes the SDD server daemon (also referred to as *sddsrv*), which incorporates the functionality of the stand-alone version of `sddServer` (for ESS Expert).

To determine if the stand-alone version of `sddServer` is installed on your host system, enter:

lspp -l sddServer.rte

If you previously installed the sddServer.rte package, the output from the **lspp -l sddServer.rte** command looks similar to this:

Fileset	Level	State	Description
Path: /usr/lib/objrepos sddServer.rte	1.0.0.0	COMMITTED	IBM SDD Server for AIX
Path: /etc/objrepos sddServer.rte	1.0.0.0	COMMITTED	IBM SDD Server for AIX

For instructions on how to remove the stand-alone version of sddServer (for ESS Expert) from your AIX host system, see the IBM Subsystem Device Driver Server 1.0.0.0 (sddsr) README for IBM TotalStorage Expert V2R1 at the following Web site:

www.ibm.com/servers/storage/support/software/swexpert/

For more information about the SDD server daemon, go to “SDD server daemon” on page 60

Understanding SDD support for IBM System p with static LPARs configured

The IBM System p server supports static LPARs as a standard feature, and users can partition them if they choose to do so. Each LPAR is composed of one or more processors, some dedicated memory, and dedicated I/O adapters. Each partition has an instance of an operating system and does not share IBM System p hardware resources with any other partition. So each partition functions the same way that it does on a stand-alone system. Storage subsystems need to be shared the same way that they have always been shared (shared storage pool, shared ports into the storage subsystem, and shared data on concurrent mode) where the application is capable of sharing data.

If a partition has multiple fibre-channel adapters that can see the same LUNs in a supported storage device, then the path optimization can be performed on those adapters in the same way as in a stand-alone system. When the adapters are not shared with any other partitions, SCSI reservation, persistent reserve, and LUN level masking operate as expected (by being “bound” to an instance of the operating system).

SDD provides the same functions on one of the partitions or LPARs of a IBM System p server as it does on a standalone server

Determining the installation package

Before you install SDD on your AIX host system (4.3.3 or later), you need to determine the installation package that is appropriate for your environment. See Table 8 on page 18 to determine the correct installation package.

Installation packages for 32-bit and 64-bit applications on AIX 4.3.3 (or later) host systems

Table 8. SDD 1.4.0.0 (or later) installation packages for 32-bit and 64-bit applications on AIX 4.3.3 or later

SDD installation package names	AIX kernel level	AIX kernel mode	Application mode	SDD interface
devices.sdd.43.rte	AIX 4.3.3 ¹	32-bit	32-bit, 64-bit	LVM, raw device
devices.sdd.51.rte	AIX 5.1.0 ²	32-bit, 64-bit	32-bit, 64-bit	LVM, raw device
devices.sdd.52.rte	AIX 5.2.0 ²	32-bit, 64-bit	32-bit, 64-bit	LVM, raw device
devices.sdd.53.rte	AIX 5.3.0 ²	32-bit, 64-bit	32-bit, 64-bit	LVM, raw device

¹ devices.sdd.43.rte is supported only by the ESS and virtualization products.

² SAN File System is not supported on AIX 4.3.3. Refer to the SAN File System documentation shown in “The SAN File System library” on page xxvi for the latest information about the version of SDD that is required by SAN File System.

Switching between 32-bit and 64-bit modes on AIX 5.1.0, AIX 5.2.0, and AIX 5.3.0 host systems

SDD supports AIX 5.1.0, AIX 5.2.0 and AIX 5.3.0 host systems that run in both 32-bit and 64-bit kernel modes. You can use the **bootinfo -K** or **ls -al /unix** command to check the current kernel mode in which your AIX 5.1.0, 5.2.0, or 5.3.0 host system is running.

The **bootinfo -K** command directly returns the kernel mode information of your host system. The **ls -al /unix** command displays the /unix link information. If the /unix links to /usr/lib/boot/unix_mp, your AIX host system runs in 32-bit mode. If the /unix links to /usr/lib/boot/unix_64, your AIX host system runs in 64-bit mode.

If your host system is currently running in 32-bit mode, you can switch it to 64-bit mode by typing the following commands in the given order:

```
ln -sf /usr/lib/boot/unix_64 /unix
ln -sf /usr/lib/boot/unix_64 /usr/lib/boot/unix
bosboot -ak /usr/lib/boot/unix_64
shutdown -Fr
```

The kernel mode of your AIX host system is switched to 64-bit mode after the system restarts.

If your host system is currently running in 64-bit mode, you can switch it to 32-bit mode by typing the following commands in the given order:

```
ln -sf /usr/lib/boot/unix_mp /unix
ln -sf /usr/lib/boot/unix_mp /usr/lib/boot/unix
bosboot -ak /usr/lib/boot/unix_mp
shutdown -Fr
```

The kernel mode of your AIX host system is switched to 32-bit mode after the system restarts.

Installation of major files on your AIX host system

The SDD installation package installs a number of major files on your AIX system. Table 9 on page 19 lists the major files that are part of the SDD installation

package.

Table 9. Major files included in the SDD installation package

File name	Description
defdpo	Define method of the SDD pseudo-parent data path optimizer (dpo).
cfgdpo	Configure method of the SDD pseudo-parent dpo.
define_vp	Define method of the SDD vpath devices.
addpaths	The command that dynamically adds more paths to SDD vpath devices while they are in <i>Available</i> state.
cfgvpath	Configure method of SDD vpath devices.
chgvpath	Method to change vpath attributes.
cfallvpath	Fast-path configuration method to configure the SDD pseudo-parent dpo and all SDD vpath devices.
vpathdd	The SDD device driver.
hd2vp	The SDD script that converts an hdisk device volume group to an SDD vpath device volume group.
vp2hd	The SDD script that converts an SDD vpath device volume group to an hdisk device volume group.
datapath	The SDD driver console command tool.
lquerypr	The SDD driver persistent reserve command tool.
lsvpcfg	The SDD driver query configuration state command.
querysn	The SDD driver tool to query unique serial numbers of devices.
mkvg4vp	The command that creates an SDD volume group.
extendvg4vp	The command that extends SDD vpath devices to an SDD volume group.
dpovgfix	The command that fixes an SDD volume group that has mixed vpath and hdisk physical volumes.
savevg4vp	The command that backs up all files belonging to a specified volume group with SDD vpath devices.
restvg4vp	The command that restores all files belonging to a specified volume group with SDD vpath devices.
sddsrv	The SDD server daemon for path reclamation and probe.
sample_sddsrv.conf	The sample SDD server configuration file.
lvmrecover	The SDD script that restores a system's SDD vpath devices and LVM configuration when a migration failure occurs.
sddfcmap	The SDD tool that collects information on ESS SCSI or disk storage systems fibre-channel devices through SCSI commands.
sddgetdata	The SDD data collection tool for problem analysis.

Determining the installation type

Before you install SDD on your AIX host system 4.3.3 (or later), you need to determine the installation type that is appropriate for your environment.

If there is no previous version of SDD installed on the host system, see “Installing SDD” on page 20 for instructions on installing and configuring SDD. If there is a previous version of SDD installed on the host system and you want to upgrade to one of the following packages:

- devices.sdd.43.rte
- devices.sdd.51.rte
- devices.sdd.52.rte
- devices.sdd.53.rte

See “Upgrading SDD packages automatically without system restart” on page 21 for instructions on upgrading SDD.

If SDD 1.4.0.0 (or later) is installed on the host system and you have an SDD PTF that you want to apply to the system, see “Updating SDD packages by applying a program temporary fix” on page 26 for instructions. A PTF file has a file extension of `bff` (for example, `devices.sdd.43.rte.2.1.0.1.bff`) and requires special consideration when being installed.

Installing and upgrading SDD

Installing SDD

SDD is released as an installation image. To install SDD, use the installation package that is appropriate for your environment.

Table 8 on page 18 lists and describes SDD support for 32-bit and 64-bit applications on AIX 4.3.3 or later.

You must have root access and AIX system administrator knowledge to install SDD.

If you are installing an older version of SDD when a newer version is already installed, you must first remove the newer version from your host system before you can install the older version of SDD.

Installation of SDD in a SAN File System environment might require special consideration. Consult the SAN File System documentation shown in “The SAN File System library” on page xxvi to check for any special steps that might need to be considered before proceeding with the SDD installation.

Note: The following procedures assume that SDD will be used to access all of your single-path and multipath devices.

Use the System Management Interface Tool (SMIT) facility to install SDD. The SMIT facility has two interfaces, nongraphical and graphical. Enter **smitty** to invoke the nongraphical user interface or enter **smit** to invoke the graphical user interface (GUI).

Throughout this SMIT procedure, `/dev/cd0` is used for the compact disc drive address. The drive address can be different in your environment. Perform the following SMIT steps to install the SDD package on your system.

1. Log in as the root user.
2. Load the compact disc into the CD-ROM drive.
3. From your desktop window, enter **smitty install_update** and press **Enter** to go directly to the installation panels. The Install and Update Software menu is displayed.
4. Select **Install Software** and press **Enter**.
5. Press **F4** to display the INPUT Device/Directory for Software panel.

6. Select the compact disc drive that you are using for the installation, for example, /dev/cd0; and press **Enter**.
7. Press **Enter** again. The Install Software panel is displayed.
8. Select **Software to Install** and press **F4**. The Software to Install panel is displayed.
9. Select the installation package that is appropriate for your environment.
10. Press **Enter**. The Install and Update from LATEST Available Software panel is displayed with the name of the software that you selected to install.
11. Check the default option settings to ensure that they are what you need.
12. Press **Enter** to install. SMIT responds with the following message:

```

ARE YOU SURE??
Continuing may delete information you may want to keep.
This is your last chance to stop before continuing.

```

13. Press **Enter** to continue. The installation process can take several minutes to complete.
14. When the installation is complete, press **F10** to exit from SMIT. Remove the compact disc.

Note: You do not need to reboot SDD even though the bosboot message indicates that a reboot is necessary.

Upgrading SDD

Upgrading SDD packages automatically without system restart

With SDD 1.4.0.0 (or later), a new feature is provided to migrate or upgrade SDD packages. This feature supports backup, restoration, and recovery of LVM configurations and SDD device configurations automatically on the server, as well as migration from non-PR to PR SDD packages. This is especially beneficial in a complex SAN environment where a system administrator has to maintain a large number of servers. During SDD migration or upgrade, the LVM and SDD device configuration of the host will automatically be removed, the new SDD package will be installed, and then the SDD device and LVM configuration of the host will be restored. This feature will support the following scenarios:

1. Package migration from a nonpersistent reserve package with version 1.3.1.3 (or later) to a persistent reserve package with version 1.4.0.0 (or later). That is, `ibmSdd_432.rte` → `devices.sdd.43.rte` and `ibmSdd_510.rte` → `devices.sdd.51.rte`.
2. Package migration from version 1.3.1.3 or later to version 1.4.0.0 or later. Migration from SDD version earlier than 1.3.1.3 is not supported.
3. Package upgrade from version 1.4.0.0 to a later version.

If the SDD currently installed on your host system is listed in Table 10, you can use this automatic migration to upgrade SDD. If the SDD currently installed on your host system is not listed in Table 10, you will need to upgrade SDD manually

Table 10. List of previously installed installation packages that are supported with the installation upgrade

Installation package name
ibmSdd_432.rte
ibmSdd.rte.432
ibmSdd_433.rte

Table 10. List of previously installed installation packages that are supported with the installation upgrade (continued)

Installation package name
ibmSdd.rte.433
ibmSdd_510.rte
ibmSdd_510nchacmp.rte
devices.sdd.43.rte
devices.sdd.51.rte
devices.sdd.52.rte
devices.sdd.53.rte

Starting from SDD 1.6.0.0, SDD introduces a new feature in the configuration method to read the pvid from the physical disks and convert the pvid from hdisks to vpaths during the SDD vpath configuration. With this feature, you can skip the process of converting the pvid from hdisks to vpaths after configuring SDD devices. Furthermore, SDD migration scripts can now skip the pvid conversion scripts. This tremendously reduces the SDD migration time, especially with a large number of SDD devices and LVM configuration environment.

Furthermore, SDD now introduces two new environment variables that can be used in some configuration environments to customize the SDD migration and further reduce the time needed to migrate or upgrade SDD. See “Customizing SDD migration or upgrade” for details.

During the migration or upgrade of SDD, the LVM configuration of the host will be removed, the new SDD package will be installed, and then the original LVM configuration of the host will be restored.

Preconditions for migration or upgrade: The following are the preconditions for running the migration:

1. If HACMP is running, gracefully stop the cluster services.
2. If sddServer.rte (stand-alone IBM TotalStorage Expert SDD Server) is installed, uninstall sddServer.rte.
3. If there is any I/O running to SDD devices, stop these I/O activities.
4. Stop any activity related to system configuration changes. These activities are not allowed during SDD migration or upgrade (for example, configuring more devices).
5. If there is active paging space created with SDD devices, deactivate the paging space.

If any of the above preconditions are not met, the migration or upgrade will fail.

Customizing SDD migration or upgrade: Starting from SDD 1.6.0.0, SDD offers two new environment variables, SKIP_SDD_MIGRATION and SDDVG_NOT_RESERVED, for you to customize the SDD migration or upgrade to maximize performance. You can set these two variables based on the configuration of your system. The following discussion explains the conditions and procedures for using these two environment variables.

SKIP_SDD_MIGRATION: The SKIP_SDD_MIGRATION environment variable is an option available to bypass of the SDD automated migration process (backup, restoration, and recovery of LVM configurations and SDD device configurations).

This variable could help to decrease SDD upgrade time if you choose to reboot the system after upgrading SDD. For example, you might choose this option if you are upgrading other software that requires a reboot on the host at the same time. Another example is if you have a large number of SDD devices and LVM configuration, and a system reboot is acceptable. In these cases, you might want to choose this option to skip the SDD automated migration process. If you choose to skip the SDD automated migration process, follow these procedures to perform an SDD upgrade:

1. Execute **export SKIP_SDD_MIGRATION=YES** to set the SKIP_SDD_MIGRATION environment variable.
2. Execute **smitty install** to install SDD.
3. Reboot the system.
4. Execute **varyonvg vg_name** for the volume groups that are not auto-varied on after reboot.
5. Execute **mount filesystem-name** to mount the file system.

SDDVG_NOT_RESERVED: SDDVG_NOT_RESERVED is an environment variable to indicate to the SDD migration script whether the host has any SDD volume group reserved by another host. If the host has any SDD volume group reserved by another host, you should set this variable to *NO*. Otherwise, you should set this variable to *YES*. If this variable is not set, the SDD migration script will assume the value to be *NO*.

When this variable is set to *YES*, the SDD migration script will skip some procedures. This will dramatically reduce the SDD migration time. If SDDVG_NOT_RESERVED is set to *NO*, the SDD migration script will make certain assumptions and execute more steps.

Set this variable to *YES* if the host is:

1. A completely stand-alone host, that is, not sharing LUNs with any other host
2. A host in a clustering environment but all the volume groups (including the volume groups that belong to a cluster software resource group) are configured for concurrent access only
3. A host in a clustering environment with nonconcurrent volume groups but all the nonconcurrent volume groups on all the hosts are varied off. That is, no other node has made reserve on the SDD volume groups.

If the host does not meet the any of these three conditions, you should set SDDVG_NOT_RESERVED to *NO*, so that the SDD migration script runs the **vp2hd** pvid conversion script to save the pvid under hdisks. Follow these procedures to perform SDD migration with this variable:

1. Execute **export SDDVG_NOT_RESERVED=NO** or **export SDDVG_NOT_RESERVED=YES** to set the SDDVG_NOT_RESERVED environment variable
2. Follow the procedures in “Procedures for automatic migration or upgrade.”

Procedures for automatic migration or upgrade: To start SDD migration or upgrade:

1. Install the new SDD package by entering the **smitty install** command. The migration or upgrade scripts will be executed as part of the installation procedure initiated by the **smitty install** command. These scripts will save SDD related LVM configuration on the system.

SDD does not support mixed volume groups with SDD vpath devices and supported storage hdisk devices. A volume group should contain SDD vpath

devices only or supported storage hdisk devices only. If you do have a mixed volume group, the SDD migration or upgrade script will fix it by changing the volume group to contain SDD vpath devices only. You will see the following message when the SDD migration or upgrade script fixes the mixed volume group:

```
<volume group> has a mixed of SDD and non-SDD devices.  
dpovgfix <volume group> is run to correct it.  
Mixed volume group <volume group> is converted to SDD devices successfully!
```

The following messages indicate that the preuninstallation operations of SDD are successful:

```
LVM configuration is saved successfully.  
All mounted file systems are unmounted.  
All varied-on volume groups are varied off.  
All volume groups created on SDD devices are converted to non-SDD devices.  
SDD Server is stopped.  
All SDD devices are removed.  
Ready for deinstallation of SDD!
```

2. The older SDD is uninstalled before new SDD will be installed.
3. The migration or upgrade script automatically configures the SDD devices and restores the original LVM configuration.

The following messages indicate that the postinstallation of SDD is successful:

```
Original lvm configuration is restored successfully!
```

Error recovery for migration or upgrade: If any error occurred during the preinstallation or postinstallation procedures, such as disconnection of cables, you can recover the migration or upgrade. Two common ways that migration or upgrade can fail are:

Case 1: Smitty install failed.

Smitty install will fail if there is an error during the preuninstallation activities for the older SDD package. An error message indicating the error will be printed. You should identify and fix the problem. Then use the **smitty install** command to install the new SDD package again.

Case 2: Smitty install exits with an OK prompt but configuration of SDD devices or LVM restoration failed.

If there is an error during the postinstallation (either the configuration of SDD devices failed or LVM restoration failed), the new SDD package will still be successfully installed. Thus, the **Smitty install** will exit with an OK prompt. However, an error message indicating the error will be printed. You should identify and fix the problem. Then, run the shell script **lvmrecover** to configure SDD devices and automatically recover the original LVM configuration.

Upgrading SDD manually

The following section describes the procedure to migrate or upgrade SDD manually. See “Upgrading SDD packages automatically without system restart” on page 21 for information about migrating or upgrading SDD automatically.

A manual migration or upgrade is required if you are:

- Upgrading from a previous version of the SDD package not listed in Table 10 on page 21.
- Upgrading the AIX operating system and thus upgrading SDD package. For example, upgrading AIX 4.3 to AIX 5.1.

- Upgrading the AIX operating system in SAN boot environment without upgrading SDD host attachment script.

You must uninstall the existing SDD and then manually install the new version of SDD in these cases.

Perform the following steps to upgrade SDD:

1. Enter the **lspv** command to find out all the SDD volume groups.
2. Enter the **lsvgfs** command for each SDD volume group to find out which file systems are mounted. Enter the following command:
`lsvgfs vg_name`
3. Enter the **umount** command to unmount all file systems belonging to SDD volume groups. Enter the following command:
`umount filesystem_name`
4. Enter the **varyoffvg** command to vary off the volume groups. Enter the following command:
`varyoffvg vg_name`
5. If you are upgrading to an SDD version earlier than 1.6.0.0; or if you are upgrading to SDD 1.6.0.0 or later and your host is in a HACMP environment with nonconcurrent volume groups that are varied-on on other host, that is, reserved by other host, execute the **vp2hd** *volume_group_name* script to convert the volume group from SDD vpath devices to supported storage hdisk devices. Otherwise, you skip this step.
6. Stop the SDD server by entering the following command:
`stopsrc -s sddsrv`
7. Remove all SDD vpath devices. Enter the following command:
`rmdev -d1 dpo -R`
8. Use the **smitty** command to uninstall SDD. Enter **smitty deinstall** and press **Enter**. The uninstallation process begins. Complete the uninstallation process. See “Removing SDD from an AIX host system” on page 43 for the step-by-step procedure for uninstalling SDD.
9. If you need to upgrade the AIX operating system, for example, from AIX 4.3 to AIX 5.1, you could perform the upgrade now. If required, reboot the system after the operating system upgrade.
10. Use the **smitty** command to install the newer version of SDD from the compact disc. Enter **smitty install** and press **Enter**. The installation process begins. Go to “Installing and upgrading SDD” on page 20 to complete the installation process.
11. Use the **smitty device** command to configure all the SDD vpath devices to the *Available* state. See “Configuring SDD” on page 38 for a step-by-step procedure for configuring devices.
12. Enter the **lsvpcfg** command to verify the SDD configuration. Enter the following command:
`lsvpcfg`
13. If you are upgrading to an SDD version earlier than 1.6.0.0, execute the **hd2vp** *volume_group_name* script for each SDD volume group to convert the physical volumes from supported storage hdisk devices back to SDD vpath devices. Enter the following command:
`hd2vp volume_group_name`
14. Enter the **varyonvg** command for each volume group that was previously varied offline. Enter the following command:
`varyonvg vg_name`

15. Enter the **lspv** command to verify that all physical volumes of the SDD volume groups are SDD vpath devices.
16. Enter the **mount** command to mount all file systems that were unmounted in step 3 on page 25. Enter the following command:

```
mount filesystem-name
```

Attention: If the physical volumes on an SDD volume group's physical volumes are mixed with hdisk devices and SDD vpath devices, you must run the **dpovgfix** utility to fix this problem. Otherwise, SDD will not function properly. Enter the **dpovgfix vg_name** command to fix this problem.

Updating SDD packages by applying a program temporary fix

SDD 1.4.0.0 and later allows users to update SDD by installing a program temporary fix (PTF). A PTF file has a file extension of *bff* (for example, *devices.sdd.43.rte.2.1.0.1.bff*) and can either be applied or committed when it is installed. If the PTF is committed, the update to SDD is permanent; to remove the PTF, you must uninstall SDD. If the PTF is applied, you can choose to commit or to reject the PTF at a later time. If you decide to reject the PTF, you will not need to uninstall SDD from the host system.

Use the System Management Interface Tool (SMIT) facility to update SDD.

Throughout this SMIT procedure, */dev/cd0* is used for the compact disc drive address. The drive address can be different in your environment.

Perform the following SMIT steps to update the SDD package on your system:

1. Log in as the root user.
2. Load the compact disc into the CD-ROM drive.
3. From your desktop window, enter **smitty install_update** and press **Enter** to go directly to the installation panels. The Install and Update Software menu is displayed.
4. Select **Install Software** and press **Enter**.
5. Press **F4** to display the INPUT Device/Directory for Software panel.
6. Select the compact disc drive that you are using for the installation (for example, */dev/cd0*) and press **Enter**.
7. Press **Enter** again. The Install Software panel is displayed.
8. Select **Software to Install** and press **F4**. The Software to Install panel is displayed.
9. Select the PTF package that you want to install.
10. Press **Enter**. The Install and Update from LATEST Available Software panel is displayed with the name of the software that you selected to install.
11. If you only want to apply the PTF, select **Commit software Updates?** and tab to change the entry to *no*. The default setting is to commit the PTF. If you specify *no* to **Commit Software Updates?**, be sure that you specify *yes* to **Save Replaced Files?**.
12. Check the other default option settings to ensure that they are what you need.
13. Press **Enter** to install. SMIT responds with the following message:

```
+-----+
| ARE YOU SURE??
| Continuing may delete information you may want to keep.
| This is your last chance to stop before continuing.
+-----+
```

14. Press **Enter** to continue. The installation process can take several minutes to complete.
15. When the installation is complete, press **F10** to exit from SMIT.
16. Remove the compact disc.

Note: You do not need to reboot SDD even though the bosboot message indicates that a reboot is necessary.

Committing or Rejecting a PTF Update: Before you reject a PTF update, you need to stop sddsrvc and remove all SDD devices. The following steps will guide you through this process. If you want to commit a package, you will not need to perform these steps. Follow these steps prior to rejecting a PTF update:

1. Stop SDD Server. Enter the following command:
`stopsrc -s sddsrvc`
2. Enter the **lspv** command to find out all the SDD volume groups.
3. Enter the **lsvgfs** command for each SDD volume group to find out which file systems are mounted. Enter the following command:
`lsvgfs vg_name`
4. Enter the **umount** command to unmount all file systems belonging to SDD volume groups. Enter the following command:
`umount filesystem_name`
5. Enter the **varyoffvg** command to vary off the volume groups. Enter the following command:
`varyoffvg vg_name`
6. If you are downgrading to an SDD version earlier than 1.6.0.0 or if you are downgrading to SDD 1.6.0.0 or later but your host is in a HACMP environment with nonconcurrent volume groups that are varied-on on other host (that is, reserved by other host), execute the **vp2hd volume_group_name** script to convert the volume group from SDD vpath devices to supported storage hdisk devices. Otherwise, you skip this step.
7. Remove all SDD devices. Enter the following command:
`rmdev -d1 dpo -R`

Perform the following steps to commit or reject a PTF update with the SMIT facility.

1. Log in as the root user.
2. From your desktop window, enter **smitty install** and press **Enter** to go directly to the installation panels. The Software Installation and Maintenance menu is displayed.
3. Select **Software Maintenance and Utilities** and press **Enter**.
4. Select **Commit Applied Software Updates** to commit the PTF or select **Reject Applied Software Updates** to reject the PTF.
5. Press **Enter**. The Commit Applied Software Updates panel is displayed or the Reject Applied Software Updates panel is displayed.
6. Select **Software name** and press **F4**. The software name panel is displayed.
7. Select the Software package that you want to commit or reject.
8. Check the default option settings to ensure that they are what you need.
9. Press **Enter**. SMIT responds with the following message:

```

+-----+
| ARE YOU SURE??                               |
| Continuing may delete information you may    |
| want to keep.                               |
| This is your last chance to stop before     |
| continuing.                                 |
+-----+

```

10. Press **Enter** to continue. The commit or reject process can take several minutes to complete.
11. When the installation is complete, press **F10** to exit from SMIT.

Note: You do not need to reboot SDD even though the bosboot message might indicate that a reboot is necessary.

After the procedure to reject a PTF update completes successfully:

1. Use the **smitty device** command to configure all the SDD vpath devices to the *Available* state. See “Configuring fibre-channel-attached devices” on page 15 for a step-by-step procedure for configuring devices.
2. Enter the **lsvpcfg** command to verify the SDD configuration. Enter the following command:
`lsvpcfg`
3. If you have downgraded to an SDD version earlier than 1.6.0.0, execute the **hd2vp** script for each SDD volume group to convert the physical volumes from supported storage hdisk devices back to SDD vpath devices. Enter the following command:
`hd2vp vg_name`
4. Enter the **varyonvg** command for each volume group that was previously varied offline. Enter the following command:
`varyonvg vg_name`
5. Enter the **lspv** command to verify that all physical volumes of the SDD volume groups are SDD vpath devices.
6. Enter the **mount** command to mount all file systems that were unmounted in step 4. Enter the following command:
`mount filesystem-name`

Note: If the physical volumes on an SDD volume group’s physical volumes are mixed with hdisk devices and vpath devices, you must run the **dpovgfix** utility to fix this problem. Otherwise, SDD will not function properly. Enter the **dpovgfix vg_name** command to fix this problem.

7. Start SDD Server. Enter the following command:
`startsrc -s sddsrv`

Upgrading AIX OS or host attachment and SDD packages

SDD provides different packages to match the AIX OS level. If an AIX system is going to be upgraded to a different OS level, then you need to install the corresponding SDD package for that OS level. Automatic migration of an SDD package from an earlier OS level to a later OS level after an OS upgrade is not supported. For example, automatic migration from `devices.sdd.43.rte` to `devices.sdd.51.rte` after an OS upgrade from AIX 4.3 to AIX 5.1, or automatic migration from `devices.sdd.51.rte` to `devices.sdd.52.rte` after an OS upgrade from AIX 5.1 to 5.2, is not supported. See “Upgrading SDD manually” on page 24 for information about manually migrating or upgrading SDD.

The following procedure should be used when you want to upgrade:

- AIX OS only*

- Host attachment and AIX OS*
- SDD and AIX OS
- Host attachment and SDD
- Host attachment only
- SDD, host attachment, and AIX OS

* Upgrading the AIX OS always requires you to install the SDD that corresponds to the new AIX OS level.

If you want to upgrade SDD only, see “Upgrading SDD packages automatically without system restart” on page 21 or “Upgrading SDD manually” on page 24.

1. Ensure that rootvg is on local SCSI disks.
2. Stop all activities related to SDD devices:
 - a. Stop applications running on SDD volume groups or file systems.
 - b. If your host is in an HACMP environment, stop the cluster services in an orderly manner.
 - c. If there is active paging space created with SDD devices, deactivate the paging space.
 - d. Umount all file systems of SDD volume groups.
 - e. Vary off all SDD volume groups.

3. Remove SDD vpath devices using the **rmdev -dl dpo -R** command.

4. Remove hdisk devices using the following command:

lsdev -C -t 2105* -F name	xargs -n1 rmdev -dl	for 2105 devices
lsdev -C -t 2145* -F name	xargs -n1 rmdev -dl	for 2145 devices
lsdev -C -t 2062* -F name	xargs -n1 rmdev -dl	for 2062 devices
lsdev -C -t 2107* -F name	xargs -n1 rmdev -dl	for 2107 devices
lsdev -C -t 1750* -F name	xargs -n1 rmdev -dl	for 1750 devices

5. Verify that the hdisk devices are successfully removed using the following command:

lsdev -C -t 2105* -F name	for 2105 devices
lsdev -C -t 2145* -F name	for 2145 devices
lsdev -C -t 2062* -F name	for 2062 devices
lsdev -C -t 2107* -F name	for 2107 devices
lsdev -C -t 1750* -F name	for 1750 devices

6. If upgrading the OS:

- a. Run **stopsrc -s sddsrv** to stop the sddsrv daemon.
- b. Uninstall SDD.
- c. Upgrade to the latest version of the host attachment, if required. Package names are:
 - **ibm2105.rte** for 2105 devices
 - **devices.fcp.disk.ibm.rte** for 2145, 2062, 2107, and 1750 devices
- d. Migrate the AIX OS level.
- e. Boot to new AIX level with no disk groups online except rootvg, which is on local SCSI disks. Reboot will automatically start at the end of migration.
- f. Install SDD for the new AIX OS level.

7. If you are not upgrading the operating system, then upgrade SDD, if required.

8. If the AIX OS is not upgraded, configure hdisks using the **cfgmgr -vl fcsX** command for each fibre-channel adapter.

9. Configure SDD vpath devices by executing the **cfallvpath** command.

10. If your current SDD version is earlier than 1.6.0.0, execute **hd2vp** on all SDD volume groups. Otherwise, skip this step.

11. Resume all activities related to SDD devices:
 - a. If there was active paging space created with SDD devices, activate the paging space.
 - b. If your host was in an HACMP environment, start the cluster services.
 - c. Vary on all SDD volume groups.
 - d. Mount all file systems.
 - e. Start applications running on SDD volume groups or file systems.

Verifying the currently installed version of SDD for SDD 1.3.3.11 (or earlier)

For SDD packages prior to SDD 1.4.0.0, you can verify your currently installed version of SDD by entering the following command:

```
lspp -l '*Sdd*
```

The asterisks (*) in the beginning and end of the Sdd characters are used as wildcard symbols to search for the characters “ibm...” and “...rte”.

Alternatively, you can enter one of the following commands:

```
lspp -l ibmSdd_432.rte
```

```
lspp -l ibmSdd_433.rte
```

```
lspp -l ibmSdd_510.rte
```

```
lspp -l ibmSdd_510nchacmp.rte
```

```
lspp -l ibmSdd.rte.432
```

...

...

If you successfully installed the package, the output from the `lspp -l '*Sdd*' or lspp -l ibmSdd_432.rte` command looks like this:

Fileset	Level	State	Description
Path: /usr/lib/objrepos ibmSdd_432.rte	1.3.3.9	COMMITTED	IBM SDD AIX V432 V433 for concurrent HACMP
Path: /etc/objrepos ibmSdd_432.rte	1.3.3.9	COMMITTED	IBM SDD AIX V432 V433 for concurrent HACMP

If you successfully installed the `ibmSdd_433.rte` package, the output from the `lspp -l ibmSdd_433.rte` command looks like this:

Fileset	Level	State	Description
Path: /usr/lib/objrepos ibmSdd_433.rte	1.3.3.9	COMMITTED	IBM SDD AIX V433 for nonconcurrent HACMP
Path: /etc/objrepos ibmSdd_433.rte	1.3.3.9	COMMITTED	IBM SDD AIX V433 for nonconcurrent HACMP

If you successfully installed the `ibmSdd_510.rte` package, the output from the **lspp -l ibmSdd_510.rte** command looks like this:

Fileset	Level	State	Description
Path: /usr/lib/objrepos ibmSdd_510.rte	1.3.3.9	COMMITTED	IBM SDD AIX V510 for concurrent HACMP
Path: /etc/objrepos ibmSdd_510.rte	1.3.3.9	COMMITTED	IBM SDD AIX V510 for concurrent HACMP

If you successfully installed the `ibmSdd_510nchacmp.rte` package, the output from the **lspp -l ibmSdd_510nchacmp.rte** command looks like this:

Fileset	Level	State	Description
Path: /usr/lib/objrepos ibmSdd_510nchacmp.rte	1.3.3.11	COMMITTED	IBM SDD AIX V510 for nonconcurrent HACMP
Path: /etc/objrepos ibmSdd_510nchacmp.rte	1.3.3.11	COMMITTED	IBM SDD AIX V510 for nonconcurrent HACMP

Verifying the currently installed version of SDD for SDD 1.4.0.0 (or later)

For SDD 1.4.0.0 (and later), you can verify your currently installed version of SDD by entering the following command:

```
lspp -l 'devices.sdd.*'
```

Alternatively, you can enter one of the following commands:

```
lspp -l devices.sdd.43.rte
lspp -l devices.sdd.51.rte
lspp -l devices.sdd.52.rte
lspp -l devices.sdd.53.rte
```

If you successfully installed the `devices.sdd.43.rte` package, the output from the **lspp -l 'devices.sdd.*'** command or **lspp -l devices.sdd.43.rte** command looks like this:

Fileset	Level	State	Description
Path: /usr/lib/objrepos devices.sdd.43.rte	1.4.0.0	COMMITTED	IBM Subsystem Device Driver for AIX V433
Path: /etc/objrepos devices.sdd.43.rte	1.4.0.0	COMMITTED	IBM Subsystem Device Driver for AIX V433

If you successfully installed the `devices.sdd.51.rte` package, the output from the **lspp -l devices.sdd.51.rte** command looks like this:

Fileset	Level	State	Description
Path: /usr/lib/objrepos devices.sdd.51.rte	1.4.0.0	COMMITTED	IBM Subsystem Device Driver for AIX V51
Path: /etc/objrepos devices.sdd.51.rte	1.4.0.0	COMMITTED	IBM Subsystem Device Driver for AIX V51

If you successfully installed the `devices.sdd.52.rte` package, the output from the **lspp -l devices.sdd.52.rte** command looks like this:

Fileset	Level	State	Description
Path: /usr/lib/objrepos devices.sdd.52.rte	1.4.0.0	COMMITTED	IBM Subsystem Device Driver for AIX V52
Path: /etc/objrepos devices.sdd.52.rte	1.4.0.0	COMMITTED	IBM Subsystem Device Driver for AIX V52

If you successfully installed the `devices.sdd.53.rte` package, the output from the **lspp -l devices.sdd.53.rte** command looks like this:

Fileset	Level	State	Description
Path: /usr/lib/objrepos devices.sdd.53.rte	1.6.0.0	COMMITTED	IBM Subsystem Device Driver for AIX V53
Path: /etc/objrepos devices.sdd.53.rte	1.6.0.0	COMMITTED	IBM Subsystem Device Driver for AIX V53

Preparing to configure SDD

Before you configure SDD, ensure that:

- The supported storage device is operational.
- The `devices.sdd.nn.rte` software is installed on the AIX host system, where *nn* identifies the installation package.
- The supported storage device hdisks are configured correctly on the AIX host system.

Configure the supported storage devices before you configure SDD. If you configure multiple paths to a supported storage device, ensure that all paths (hdisks) are in Available state. Otherwise, some SDD vpath devices will lose multipath capability.

Perform the following steps:

1. Enter the **lsdev -C -t xxxx** command to check the supported storage hdisk device configuration, where *xxxx* is the supported storage device type.
You can pipe the output of the **lsdev** command to **grep** for a certain type of device. For example, use one of the following commands:

- **lsdev -C -t 2105** to check the ESS device configuration
 - **lsdev -C -t 2107** to check the DS8000 device configuration
 - **lsdev -C -t 1750** to check the DS6000 device configuration
 - **lsdev -C -t 2145** to check the SAN volume controller device configuration
2. If you have already created some active volume groups with SDD supported storage devices, vary off (deactivate) all these active volume groups by using the **varyoffvg** (LVM) command. If there are file systems of these volume groups that are mounted, you must also unmount all file systems in order to configure SDD vpath devices correctly.

Maximum number of LUNs

For different AIX OS levels, SDD has set different limits on the maximum number of LUNs that can be configured. These limits exist because AIX has resource limitations on the total number of devices that a system can support. In a multipath configuration environment, AIX creates one hdisk device for each path to a physical disk. Increasing the number of paths that are configured to a physical disk increases the number of AIX system hdisk devices that are created and are consuming system resources. This might leave fewer resources for SDD vpath devices to be configured. On the other hand, more SDD vpath devices can be configured if the number of paths to each disk is reduced.

For AIX versions 4.3 and 5.1, AIX has a published limit of 10 000 devices per system. Based on this limitation, SDD limits the total maximum number of SDD vpath devices that can be configured to 600. This number is shared by all SDD-supported storage devices.

For AIX version 5.2 or later, the resource of the AIX operating system is increased. SDD has increased the SDD vpath device limit accordingly. Starting from SDD 1.6.0.7, SDD supports a combined maximum of 1200 supported storage devices on AIX version 5.2 or later.

Table 11 on page 34 provides a summary of the maximum number of LUNs and the maximum number of paths allowed when running on a host systems with different operating system levels.

Table 11. Maximum LUNs allowed for different AIX OS levels

OS level	SDD supported storage devices
AIX 4.3 *	600 LUNs (maximum 32 paths)
AIX 5.1	600 LUNs (maximum 32 paths)
AIX 5.2	1200 LUNs (maximum 32 paths; see Table 12 for recommended maximum number of paths.)
AIX 5.3	1200 LUNs (maximum 32 paths; see Table 12 for recommended maximum number of paths.)

* **Note:** AIX 4.3 is only supported for ESS and virtualization products.

You can have a maximum of 32 paths per SDD vpath device regardless of the number of LUNs configured. However, configuring more paths than is needed for failover protection might consume too many system resources and degrade system performance. You should use the minimum number of paths necessary to achieve sufficient redundancy in the SAN environment. The recommended number of paths is 2 - 4.

To avoid exceeding the maximum number of paths per SDD vpath device on AIX 5.2 or above, follow the recommendations in Table 12.

Table 12. Recommended maximum paths supported for different number of LUNs on AIX 5.2 or above

Number of LUNs	Maximum paths per vpath
1- 600 vpath LUN	16
601 - 900 vpath LUN	8
901 - 1200 vpath LUN*	4

Note: * In order to configure 1200 LUNs, APAR IY49825 is required.

If you have more than 1200 vpaths already configured on your AIX host (for example, if you have 800 ESS LUNs and 512 SAN Volume Controller LUNs configured as SDD vpath devices on one AIX host), SDD migration to SDD 1.6.0.7 or later will fail because SDD does not support more than 1200 LUNs on one AIX host. If you have this configuration, contact IBM Customer Support at 1-800-IBM-SERV.

ODM attributes for controlling the maximum number of LUNs in SDD version 1.6.0.7 or later on AIX 5.2 and later

SDD for AIX 5.2 and later has consolidated the ODM attributes for controlling the maximum number of LUNs for all supported storage devices. The SDD_maxlun ODM attribute is now used to replace the following ODM attributes:

- 2105_max_luns
- 2145_max_luns
- 2062_max_luns
- Enterpr_maxlun
- Virtual_maxlun

See Table 11 for information about the total number of LUNs that you can configure.

The new SDD ODM attribute, `SDD_maxlun`, defines the maximum number of storage LUNs that SDD can support on a host. This attribute has a default value as well as a maximum value of 1200. This value is not user-changeable.

To display the value of the `SDD_maxlun` attribute, use the **`lsattr -El dpo`** command:

```
> lsattr -El dpo
SDD_maxlun 1200          Maximum LUNS allowed for SDD          False
persistent_resv yes     Subsystem Supports Persistent Reserve Command False
qdepth_enable yes      Queue Depth Control                  True
```

Preparing your system to configure more than 600 supported storage devices or to handle a large amount of I/O after queue depth is disabled

If you plan to configure more than 600 supported storage devices by configuring multiple types of supported storage systems and the total number of LUNs will exceed 600, or if you plan to disable queue depth to remove the limit on the amount of I/O that SDD vpath devices can send, you should first determine whether the system has sufficient resources for large device configuration or heavy I/O operations.

There are also some system configurations that should be changed to avoid system bottleneck.

To avoid system-performance degradation, tune the following ODM attributes for your AIX fibre-channel adapters before you configure more than 600 supported storage devices or disable queue depth:

- `lg_term_dma`
- `num_cmd_elems`
- `max_xfer_size`
- `fc_err_recov`

If you change these attributes, you need to reconfigure the fibre-channel adapter and all its child devices. Because this is a disruptive procedure, you should change these attributes before assigning or configuring supported storage devices on a host system.

`lg_term_dma`

This AIX fibre-channel adapter attribute controls the DMA memory resource that an adapter driver can use. The default value of `lg_term_dma` is 0x200000, and the maximum value is 0x8000000. A recommended change is to increase the value of `lg_term_dma` to 0x400000. If you still experience poor I/O performance after changing the value to 0x400000, you can increase the value of this attribute again. If you have a dual-port fibre-channel adapter, the maximum value of the `lg_term_dma` attribute is divided between the two adapter ports. Therefore, you should never increase `lg_term_dma` to the maximum value for a dual-port fibre-channel adapter, because this will cause the configuration of the second adapter port to fail.

`num_cmd_elems`

This AIX fibre-channel adapter attribute controls the maximum number of commands to be queued to the adapter. The default value is 200, and the maximum value is:

LP9000 adapters	2048
LP10000 adapters	2048

LP7000 adapters 1024

When a large number of supported storage devices are configured, you can increase this attribute to improve performance.

max_xfer_size

This AIX fibre-channel adapter attribute controls the maximum transfer size of the fibre-channel adapter. Its default value is 100000 and the maximum value is 1000000. Currently, setting this attribute to a non-default value will change the maximum transfer size of a fibre-channel adapter from 16 MB to 128 MB.

Note: You can change this attribute only with AIX 5.2.0 or later.

fc_err_recov

Starting from AIX 5.1 and AIX 5.2B, the `fc_err_recov` attribute enables fast failover during error recovery. Enabling this attribute can reduce the amount of time that the AIX disk driver takes to fail I/O in certain conditions, and therefore, reduce the overall error recovery time. The default value for `fc_err_recov` is *delayed_fail*. To enable fibre-channel adapter fast failover, change the value to *fast_fail*.

Notes:

1. For AIX 5.1, apply APAR IY48725 (Fast I/O Failure for Fibre Channel Devices) to add the fast failover feature.
2. Fast failover is not supported on AIX 4.3.3 or earlier.

Using the **-P** option with the `chdev` command causes the changes to not take effect until the system is restarted. Use the **-P** option with the `chdev` command if your system falls under any one of the following conditions:

- If you have boot devices on the adapter
- If you have a large number of devices configured and prefer to restart the system
- If you plan to reboot the system later

Use the following procedure if you can reboot the system and allow the new attribute values to take effect after the reboot:

1. Execute `lsattr -El fcsN` to check the current value of `lg_term_dma`, `num_cmd_elems`, and `max_xfer_size`.
2. Execute `lsattr -El fcsN` to check the current value of `fc_err_recov`.
3. Execute `chdev -l fcsN -P -a lg_term_dma=0x400000` to increase the DMA value.
4. Execute `chdev -l fcsN -P -a num_cmd_elems=1024` to increase the maximum commands value.
5. Execute `chdev -l fcsN -P -a max_xfer_size=1000000` to increase the maximum transfer size.
6. Execute the `chdev -l fcsN -P -a fc_err_recov=fast_fail` command to enable fast failover.
7. Assign new LUNs to the AIX host, if needed.
8. Reboot the system now or later.

Use the following procedure if you cannot reboot the system but want the new attributes to take effect immediately:

1. Execute `lsattr -El fcsN` to check the current value of `lg_term_dma`, `num_cmd_elems`, and `max_xfer_size`.

2. Execute **lsattr -El fcsN** to check the current value of `fc_err_recov`.
3. Use the **rmdev -dl dpo -R** command to remove SDD vpath devices, if they are already configured on your system.
4. Put all existing fibre-channel adapters and their children devices to the Defined state by executing **rmdev -l fcsN -R**.
5. Execute **chdev -l fcsN -a lg_term_dma=0x400000** to increase the DMA value.
6. Execute **chdev -l fcsN -a num_cmd_elems=1024** to increase the maximum commands value.
7. Execute **chdev -l fcsN -a max_xfer_size=100000** to increase the maximum transfer size.
8. Execute **chdev -l fcsiX -a fc_err_recov=fast_fail** to enable fast failover.
9. Assign new LUNs to the AIX host, if needed.
10. Configure the fibre-channel adapters, the children devices and hdisks using **cfgmgr -l fcsN**.
11. Configure SDD vpath devices with the **cfallvpath** command if they are removed in step 3.

When you have a large number of LUNs, many special device files are created in the `/dev` directory. Executing the **ls** command with a wildcard (*) in this directory might fail. If executing the command fails in this situation, change the `ncargs` attribute of `sys0`. The `ncargs` attribute controls the ARG/ENV list size in 4-KB byte blocks. The default value for this attribute is 6 (24K) and the maximum value for this attribute is 128 (512K). Increase the value of this to 30. If you still experience failures after changing the value to 30, you should increase this value to a larger number. Changing the `ncargs` attribute is dynamic. Use the following command to change the `ncargs` attribute to 30:

```
chdev -l sys0 -a ncargs=30
```

Filesystem space: If you are increasing the maximum number of LUNs, after changing the ODM attributes, use the following steps to determine whether there is sufficient space in the root file system after hdisks are configured:

1. Execute **cfgmgr -l [scsiN/fcsN]** for each relevant SCSI or FCP adapter.
2. Execute **df** to ensure that root file system (that is, '/') size is large enough to hold the device special files. For example:

```
Filesystem 512-blocks  Free %Used  Iused  %Iused  Mounted on
/dev/hd4    196608      29008  86%    15524  32%      /
```

The minimum required size is 8 MB. If there is insufficient space, execute **chfs** to increase the size of the root file system.

Controlling I/O flow to SDD devices with the SDD `qdepth_enable` attribute

Starting with SDD 1.5.0.0, a new SDD attribute, `qdepth_enable`, allows you to control I/O flow to SDD vpath devices. By default, SDD uses the `device_queue_depth` setting to control the I/O flow to SDD vpath device and paths. With certain database applications, such as an application running with a DB2 database, IBM Lotus Notes®, or IBM Informix® database, the software might generate many threads, which can send heavy I/O to a relatively small number of devices. Enabling queue depth logic to control I/O flow can cause performance degradation, or even a system hang. To remove the limit on the amount of I/O sent to vpath devices, use the `qdepth_enable` attribute to disable this queue depth logic on I/O flow control.

By default, the queue depth logic to control the amount of I/O being sent to the vpath devices is enabled in the SDD driver.

To determine if queue depth logic is enabled on your system, run the following command:

```
> lsattr -El dpo
SDD_maxlun 1200 Maximum LUNS allowed True
persistent_resv yes Subsystem Supports Persistent Reserve Command False
qdepth_enable yes Queue Depth Control True
```

For SDD 1.5.1.0 or later, you can change the `qdepth_enable` attribute dynamically. The **datapath set qdepth** command offers a new option to dynamically enable or disable the queue depth logic. For example, if you enter the **datapath set qdepth disable** command when the queue depth logic is currently enabled on the system, the following output is displayed:

```
+-----+
|Success: set qdepth_enable to no          |
+-----+
```

The SDD ODM attribute, `qdepth_enable`, will be updated. The following output is displayed when **lsattr -El dpo** is entered.

```
> lsattr -El dpo
SDD_maxlun 1200 Maximum LUNS allowed True
persistent_resv yes Subsystem Supports Persistent Reserve Command False
qdepth_enable yes Queue Depth Control True
```

See “Preparing your system to configure more than 600 supported storage devices or to handle a large amount of I/O after queue depth is disabled” on page 35 to determine whether the system has sufficient resources for disabling queue depth logic.

Configuring SDD

Perform the following steps to configure SDD using SMIT:

Note: The list items on the SMIT panel might be worded differently from one AIX version to another.

1. Enter **smitty device** from your desktop window. The Devices menu is displayed.
2. Select **Data Path Device** and press **Enter**. The Data Path Device panel is displayed.
3. Select **Define and Configure All Data Path Devices** and press **Enter**. The configuration process begins.
4. Check the SDD configuration state. See “Displaying the supported storage device SDD vpath device configuration” on page 66.
5. Use the **varyonvg** command to vary on all deactivated supported storage device volume groups.
6. If you want to convert the supported storage device hdisk volume group to SDD vpath devices, you must run the `hd2vp` utility. (See “`hd2vp` and `vp2hd`” on page 80 for information about this utility.)
7. Mount the file systems for all volume groups that were previously unmounted.

Unconfiguring SDD

1. Before you unconfigure SDD devices, ensure that:
 - All I/O activities on the devices that you need to unconfigure are stopped.

- All file systems belonging to the SDD volume groups are unmounted and all volume groups are varied off.
2. Run the **vp2hd** *volume_group_name* conversion script to convert the volume group from SDD devices (vpathN) to supported storage devices (hdisks).

Note: Since SDD implements persistent reserve command set, you must remove the SDD vpath device before removing the SDD vpath device's underlying hdisk devices.

You can use SMIT to unconfigure the SDD devices in two ways. You can either unconfigure *without deleting* the device information from the Object Database Manager (ODM) database, or you can unconfigure and *delete* device information from the ODM database:

- If you unconfigure without deleting the device information, the device remains in the *Defined* state. You can use either SMIT or the **mkdev -l vpathN** command to return the device to the *Available* state.
- If you unconfigure and delete the device information from the ODM database, that device is removed from the system. To reconfigure it, follow the procedure described in “Configuring SDD” on page 38.

Perform the following steps to delete device information from the ODM and to unconfigure SDD devices:

1. Enter **smitty device** from your desktop window. The Devices menu is displayed.
2. Select **Devices** and press **Enter**.
3. Select **Data Path Device** and press **Enter**. The Data Path Device panel is displayed.
4. Select **Remove a Data Path Device** and press **Enter**. A list of all SDD devices and their states (either *Defined* or *Available*) is displayed.
5. Select the device that you want to unconfigure. Select whether or not you want to delete the device information from the ODM database.
6. Press **Enter**. The device is unconfigured to the state that you selected.
7. To unconfigure more SDD devices, you have to repeat steps 4 - 6 for each SDD device.

The fast-path command to unconfigure all SDD devices and change the device state from *Available* to *Defined* is: **rmdev -l dpo -R**. The fast-path command to unconfigure and remove all SDD devices from your system is: **rmdev -dl dpo -R**.

Verifying the SDD configuration

To check the SDD configuration, you can use either the SMIT Display Device Configuration panel or the **lsvpcfg** console command.

Perform the following steps to verify the SDD configuration on an AIX host system:

1. Enter **smitty device** from your desktop window. The Devices menu is displayed.
2. Select **Data Path Device** and press **Enter**. The Data Path Device panel is displayed.
3. Select **Display Data Path Device Configuration** and press **Enter**.
4. Select all devices for Select Query Option, leave the Device Name/ Device Model field blank and press **Enter**. The state (either *Defined* or *Available*) of all SDD vpath devices and the paths to each device is displayed.

If any device is listed as *Defined*, the configuration was not successful. Check the configuration procedure again. See “Configuring SDD” on page 38 for the procedure.

If you want to use the command-line interface to verify the configuration, enter **lsvpcfg**.

You should see an output similar to this:

```
vpath0 (Avail pv vpathvg) 018FA067 = hdisk1 (Avail )
vpath1 (Avail ) 019FA067 = hdisk2 (Avail )
vpath2 (Avail ) 01AFA067 = hdisk3 (Avail )
vpath3 (Avail ) 01BFA067 = hdisk4 (Avail ) hdisk27 (Avail )
vpath4 (Avail ) 01CFA067 = hdisk5 (Avail ) hdisk28 (Avail )
vpath5 (Avail ) 01DFA067 = hdisk6 (Avail ) hdisk29 (Avail )
vpath6 (Avail ) 01EFA067 = hdisk7 (Avail ) hdisk30 (Avail )
vpath7 (Avail ) 01FFA067 = hdisk8 (Avail ) hdisk31 (Avail )
vpath8 (Avail ) 020FA067 = hdisk9 (Avail ) hdisk32 (Avail )
vpath9 (Avail pv vpathvg) 02BFA067 = hdisk20 (Avail ) hdisk44 (Avail )
vpath10 (Avail pv vpathvg) 02CFA067 = hdisk21 (Avail ) hdisk45 (Avail )
vpath11 (Avail pv vpathvg) 02DFA067 = hdisk22 (Avail ) hdisk46 (Avail )
vpath12 (Avail pv vpathvg) 02EFA067 = hdisk23 (Avail ) hdisk47 (Avail )
vpath13 (Avail pv vpathvg) 02FFA067 = hdisk24 (Avail ) hdisk48 (Avail )
```

The output shows:

- The name of each SDD vpath device (for example, vpath13)
- The *Defined* or *Available* state of an SDD vpath device
- Whether or not the SDD vpath device is defined to AIX as a physical volume (indicated by the pv flag)
- The name of the volume group the device belongs to (for example, vpathvg)
- The unit serial number of the disk storage system LUN (for example, 02FFA067) or the unit serial number of the virtualization product LUN (for example, 60056768018A0210B00000000000006B)
- The names of the AIX disk devices making up the SDD vpath device and their configuration and physical volume state

Dynamically adding paths to SDD vpath devices

This section shows you how to add paths to SDD vpath devices with the **addpaths** command.

The **addpaths** command allows you to dynamically add more paths to SDD vpath devices when they are in the *Available* state. It also allows you to add paths to SDD vpath devices that belong to active volume groups.

If you enter the **addpaths** command to an SDD vpath device that is in the Open state, the paths that are added are automatically in the Open state. With SDD levels earlier than 1.5.1.0, there is an exception when you enter the **addpaths** command to add a new path to an SDD vpath device that has only one configured path. In this case, the new path is not automatically in the Open state, and you must change it to the Open state by closing and reopening the SDD vpath device. This exception is removed for SDD 1.5.1.0 and later. That is, in SDD 1.5.1.0 and later, the new path will be automatically opened after you add it to an opened SDD vpath device.

You can determine how many more hdisks can be added to the existing SDD vpath devices by using the commands **lsattr -El dpo** and **datapath query device** to find out how many hdisks are already configured for each vpath. Ensure that the

number of hdisks from the existing configuration is below the recommended maximum paths allowed according to Table 12 on page 34.

Note: If you configure more than 32 hdisks, running **addpaths** will not add any paths to vpaths.

If you would like to add paths to SDD vpath devices which are not a volume group, you can execute the **cfgmgr** command *n* times, where *n* represents the number of adapters on the host, and then issue the **addpaths** command from the AIX command line to add more paths to the SDD vpath devices. If you would like to add paths to SDD vpath devices of a volume group, complete the following steps:

1. Enter the **lspv** command to list the physical volumes.
2. Identify the volume group that contains the SDD devices to which you want to add more paths.
3. Verify that all the physical volumes belonging to the SDD volume group are SDD devices (vpathNs). If they are not, you must fix the problem before proceeding to the next step. Otherwise, the entire volume group loses the path-failover protection.

You can issue the **dpovgfix vg-name** command to ensure that all physical volumes within the SDD volume group are SDD devices.

4. Run the **cfgmgr -l [scsiN/fcsN]** command for each relevant SCSI or FCP adapter to recognize all new hdisk devices. Ensure that all logical drives on the supported storage device are identified as hdisks before continuing.
5. Run the **addpaths** command from the AIX command line to add more paths to the SDD devices.
6. Run the **lsvpcfg** command from the AIX command line to verify the configuration of the SDD devices in the volume group.

SDD devices should show two or more hdisks associated with each SDD device when the failover protection is required.

Dynamically removing or replacing PCI adapters or paths

SDD 1.5.1.0 (or later) supports AIX Hot Plug available on 5L or later. You can dynamically replace an adapter in a hot-plug slot. You can use the AIX **lsslot** command to display dynamically reconfigurable slots, such as hot-plug slots, and their characteristics. You can also remove a particular path of an SDD vpath device. Replacing an adapter or removing paths does not interrupt current I/O and SDD can be dynamically reconfigured without shutting down or powering off the system. Three possible scenarios using this feature in the SDD environment are:

- “Dynamically removing a PCI adapter from SDD configuration”
- “Dynamically replacing a PCI adapter in an SDD configuration”
- “Dynamically removing a path of an SDD vpath device” on page 43

Dynamically removing a PCI adapter from SDD configuration

To permanently remove a PCI adapter and its child devices from an SDD configuration, use the **datapath remove adapter n** command, where *n* is the adapter number.

Dynamically replacing a PCI adapter in an SDD configuration

To dynamically replace a PCI adapter in an SDD configuration, use the **datapath remove adapter n** command, where *n* is the adapter number. This command removes the adapter and associated paths from the SDD configuration.

After you physically replace and configure a new adapter, the adapter and its associated paths can be added to SDD with the **addpaths** command. See “datapath remove adapter” on page 391 for more information about the **datapath remove adapter n** command.

Complete the following steps to dynamically replace a PCI adapter in the SDD configuration:

1. Enter **datapath query adapter** to identify the adapter to be replaced.

```
-----+-----
Active Adapters :4
-----+-----
Adpt#   Adapter Name  State   Mode   Select   Errors  Paths  Active
-----+-----
0       fscsi0         NORMAL ACTIVE  62051    415     10     10
1       fscsi1         NORMAL ACTIVE  65386    3        10     10
2       fscsi2         NORMAL ACTIVE  75697    27       10     10
3       fscsi3         NORMAL ACTIVE  4788     35       10     10
-----+-----
```

2. Enter **datapath remove adapter n**, where *n* is the adapter number to be removed. For example, to remove adapter 0, enter **datapath remove adapter 0**.

```
-----+-----
Success: remove adapter 0
-----+-----
Active Adapters :3
-----+-----
Adpt#   Adapter Name  State   Mode   Select   Errors  Paths  Active
-----+-----
1       fscsi1         NORMAL ACTIVE  65916    3        10     10
2       fscsi2         NORMAL ACTIVE  76197    28       10     10
3       fscsi3         NORMAL ACTIVE  4997     39       10     10
-----+-----
```

Note that Adpt# 0 fscsi0 is removed and the Select counts are increased on other three adapters, indicating that I/O is still running.

3. Enter **rmdev -dl fcs0 -R** to remove fcs0, a parent of fscsi0, and all of its child devices from the system. Executing **lsdev -Cc disk** should not show any devices associated with fscsi0.
4. Enter **drslot -R -c pci -s P1-I8** where P1-I8 is the slot location found by executing **lscfg -vl fcs0**. This command prepares a hot-plug slot for systems with AIX 5L or later.
5. Follow the instruction given by **drslot** to physically remove the adapter and install a new one.
6. Update the World Wide Name (WWN) of the new adapter at the device end and in the fabric. For example, for ESS devices, go to the ESS Specialist to update the WWN of the new adapter. The zone information of fabric switches must be updated with the new WWN as well.
7. Enter **cfgmgr** or **cfgmgr -vl pci(n)**, where *n* is the adapter number, to configure the new adapter and its child devices. Use the **lsdev -Cc disk** and **lsdev -Cc adapter** commands to ensure that all devices are successfully configured to *Available* state.
8. Enter the **addpaths** command to configure the newly installed adapter and its child devices to SDD. The newly added paths are automatically opened if vpath is open.

```
-----+-----
Active Adapters :4
-----+-----
Adpt#   Adapter Name  State   Mode   Select   Errors  Paths  Active
-----+-----
0       fscsi0         NORMAL ACTIVE  11        0        10     10
1       fscsi1         NORMAL ACTIVE  196667    6        10     10
-----+-----
```

2	fscsi2	NORMAL	ACTIVE	208697	36	10	10
3	fscsi3	NORMAL	ACTIVE	95188	47	10	10

Dynamically removing a path of an SDD vpath device

To dynamically remove a particular path from an SDD vpath device, use the **datapath remove device *m* path *n*** command. This command permanently removes the logical path from the SDD device. See “datapath remove device path” on page 392 for more information about the **datapath remove device *m* path *n*** command.

Complete the following steps to remove a path of an SDD vpath device:

1. Enter **datapath query device** to identify which path of which device is to be removed.

```

-----
DEV#:  0  DEVICE NAME: vpath0  TYPE: 2105E20  POLICY: Optimized
SERIAL: 20112028
=====
Path#      Adapter/Hard Disk      State   Mode      Select      Errors
-----
0          fscsi1/hdisk18        OPEN    NORMAL    557         0
1          fscsi1/hdisk26        OPEN    NORMAL    568         30
2          fscsi0/hdisk34        OPEN    NORMAL    566         0
3          fscsi0/hdisk42        OPEN    NORMAL    545         0
-----

```

2. Enter **datapath remove device *m* path *n***, where *m* is the device number and *n* is the path number of that device. For example, enter **datapath remove device 0 path 1** to remove Path#1 from DEV#0.

```

-----
Success: device 0 path 1 removed
-----
DEV#:  0  DEVICE NAME: vpath0  TYPE: 2105E20  POLICY: Optimized
SERIAL: 20112028
=====
Path#      Adapter/Hard Disk      State   Mode      Select      Errors
-----
0          fscsi1/hdisk18        OPEN    NORMAL    567         0
1          fscsi0/hdisk34        OPEN    NORMAL    596         0
2          fscsi0/hdisk42        OPEN    NORMAL    589         0
-----

```

Note that fscsi1/hdisk26 is removed and Path# 1 is now fscsi0/hdisk34.

3. To reclaim the removed path, see “Dynamically adding paths to SDD vpath devices” on page 40.

```

-----
DEV#:  0  DEVICE NAME: vpath0  TYPE: 2105E20  POLICY: Optimized
SERIAL: 20112028
=====
Path#      Adapter/Hard Disk      State   Mode      Select      Errors
-----
0          fscsi1/hdisk18        OPEN    NORMAL    588         0
1          fscsi0/hdisk34        OPEN    NORMAL    656         0
2          fscsi0/hdisk42        OPEN    NORMAL    599         0
3          fscsi1/hdisk26        OPEN    NORMAL     9          0
-----

```

Note that fscsi1/hdisk26 is added with Path# 3.

Removing SDD from an AIX host system

The SDD server (sddsrv) is an integrated component of SDD 1.3.2.9 (or later). The SDD server daemon is automatically started after SDD is installed. You must stop the SDD server if it is running in the background *before removing SDD*. Go to “Verifying if the SDD server has started” on page 60 and “Stopping the SDD server” on page 61

on page 61 for more instructions. See Chapter 12, “Using the SDD server and the SDDPCM server,” on page 367 for more details about the SDD server daemon.

Before you remove the SDD package from your AIX host system, all the SDD vpath devices must be unconfigured and removed from your host system. See “Unconfiguring SDD” on page 38.

The fast-path **rmdev -dl dpo -R** command removes all the SDD devices from your system. After all SDD devices are removed, perform the following steps to remove SDD.

1. Enter **smitty deinstall** from your desktop window to go directly to the Remove Installed Software panel.
2. Enter one of the following installation package names in the **SOFTWARE name** field:

devices.sdd.43.rte

devices.sdd.51.rte

devices.sdd.52.rte

devices.sdd.53.rte

Then press **Enter**.

Note: See “Verifying the currently installed version of SDD for SDD 1.3.3.11 (or earlier)” on page 30 or “Verifying the currently installed version of SDD for SDD 1.4.0.0 (or later)” on page 31 to verify your currently installed installation package or version of SDD. You can also press **F4** in the Software name field to list the currently installed installation package and do a search (/) on SDD.

3. Press the **Tab** key in the **PREVIEW Only?** field to toggle between Yes and No. Select **No** to remove the software package from your AIX host system.

Note: If you select **Yes**, the deinstall process will do a pre-check and let you preview the results without removing the software. If the state for any SDD device is either *Available* or *Defined*, the process fails.

4. Select **No** for the remaining fields on this panel.
5. Press **Enter**. SMIT responds with the following message:

ARE YOU SURE??
Continuing may delete information you may want to keep.
This is your last chance to stop before continuing.

6. Press **Enter** to begin the removal process. This might take a few minutes.
7. When the process is complete, the SDD software package is removed from your system.

SAN boot support

This section gives information about SAN boot support.

SAN boot install procedures

Disk storage systems support single-path SAN boot on AIX 5.1, AIX 5.2, and AIX 5.3. In order to successfully install the operating system on the single-path disk storage system devices in a multipath SDD environment, follow the provided procedures. The SAN boot procedures for AIX 5.1 are slightly different from the SAN boot procedures for AIX 5.2 and AIX 5.3.

Note: Because of current AIX boot device limitation, no more than 5 physical volumes (hdisks) should be selected for a boot device.

SAN boot install procedure for AIX 5.1

Use this procedure for SAN boot install for AIX 5.1:

1. Configure disk storage system devices to the AIX system, restricted with single path per LUN only.
2. Install the base OS on the selected disk storage system single-path devices.
3. Upgrade the base OS to latest maintenance level.
4. Install both SDD Host Attachment and SDD.
5. Reboot the AIX system.
6. Ensure that SDD vpath devices are configured correctly. Disk storage system devices (hdisks) should be configured as IBM 2105, IBM 2107, or IBM 1750 devices. Execute the **datapath query device** command to verify that SDD vpath devices are configured with single-path and that the SDD vpath device policy is Single Path.
7. Execute **bosboot -aDd /dev/ipldevice**.
8. Connect additional host adapters and additional storage adapter to the fabric and configure multipath (multiple hdisks) per disk storage system LUN.
9. Reboot the AIX system.
10. Verify that SDD vpath devices are configured correctly with multipath per LUN.
11. Execute **bosboot -aDd /dev/ipldevice**.
12. Reboot the AIX system.

Note: The disk storage system's hdisk(s) name selected for the OS installation should not be changed throughout this procedure.

SAN boot install procedure for AIX 5.2 and AIX 5.3

Use this procedure for SAN boot install for AIX 5.2 and AIX 5.3:

1. Configure disk storage system devices to the AIX system, restricted with single-path per LUN.
2. Install the base operating system on the selected disk storage system single-path devices.
3. Upgrade the base operating system to the latest maintenance level.
4. Connect additional AIX host adapters and additional storage adapter to the fabric in order to configure multipath (multiple hdisks) per disk storage system LUN.
5. Install both SDD Host Attachment and SDD.
6. Reboot the AIX system.
7. Verify that SDD vpath devices are configured correctly with multipath per LUN. Disk Storage system devices (hdisks) should be configured as IBM 2105, IBM 2107, or IBM 1750 devices. Execute the **datapath query device** command to verify that SDD vpath devices are configured with multiple paths and that the vpath device policy is Optimized.
8. The logical device names of the hdisks might not be configured in a continuous sequence because of the parallel configuration feature in AIX 5.2 and AIX 5.3. If that is the case, follow these additional steps to simplify future maintenance, before you create any SDD volume group and file systems.
 - a. Remove all hdisk logical devices names (rootvg will not be removed) and SDD vpath devices.

- b. Reconfigure all the hdisk logical devices and SDD vpath devices with **cfgmgr** command, or reboot the AIX system.
- c. Verify that all the logical device names of the hdisks (except rootvg) are configured in a continuous sequence.

Manual exclusion of devices from the SDD configuration

With certain maintenance levels of the AIX operating systems, AIX supports fibre-channel boot capability for selected IBM System p and RS/6000 systems. This allows you to select fibre-channel devices as the boot device. However, a multipathing boot device is not supported. If you plan to select a device as a boot device, you should not configure that device with multipath configuration. Refer to the *Host System Attachment Guide* for the supported storage device for additional information.

The SDD configuration methods will automatically exclude any devices from SDD configuration if these boot devices are the physical volumes of an active rootvg. If you require dual or multiple boot capabilities on a server and multiple operating systems are installed on multiple boot devices, you should use the **querysn** command to manually exclude all boot devices that belong to non-active rootvg volume groups on the server or disk storage system devices that are going to be selected as boot devices.

SDD 1.3.3.9 (or later) allows you to manually exclude devices from the SDD configuration. The **querysn** command reads the unique serial number of a device (hdisk) and saves the serial number in an exclude file, `/etc/vpexclude`. During the SDD configuration, SDD configure methods read all the serial numbers in this exclude file and exclude these devices from the SDD configuration. See “**querysn**” on page 83 for the syntax of the **querysn** command. The maximum number of devices that can be excluded is 100.

The exclude file, `/etc/vpexclude`, holds the serial numbers of all devices (hdisks) to be excluded from the SDD configuration in the system. If this exclude file exists, the **querysn** command will add the excluded serial number to that file. If no exclude file exists, the **querysn** command will create one. There is no user interface to this file.

You can also exclude any virtualization products devices from the SDD configuration with the **querysn** command.

Notes:

1. You should not use the **querysn** command on the same logical device multiple times.
2. Fibre-channel boot capability is available for disk storage system only.

Replacing manually excluded devices in the SDD configuration

Use the following procedure to place manually excluded devices back in the SDD configuration.

Attention: Using this procedure will result in the loss of all data on these physical volumes. The data cannot be recovered.

1. If the excluded devices belong to an active volume group and file systems of that volume group are mounted, then you need to perform one of the following actions:
 - a. Unmount (`umount`) all the file systems of the volume group and vary off the volume group.

- b. Or, unmount all the file systems of the volume group and use the **reducevg** command to reduce that device from the volume group.
2. Use a text editor such as vi to open the '/etc/vpexclude' file and delete the line containing the device name from the file.
3. Execute **cfallvpath** configure methods to configure these new devices.
4. Execute **lsvpcfg** to verify that these devices are configured as SDD vpath devices.

Understanding SDD support for High Availability Cluster Multi-Processing

You can run SDD in concurrent and nonconcurrent multihost environments in which more than one host is attached to the same LUNs on a supported storage device. SDD supports High Availability Cluster Multi-Processing (HACMP) running on RS/6000 and IBM System p servers.

With SDD 1.4.0.0 (or later), there are no longer different SDD packages for HACMP running in concurrent and nonconcurrent modes. A single package (corresponding to the AIX OS level) applies to HACMP running in different modes.

For SDD versions earlier than 1.4.0.0 but later than version 1.3.1.3, IBM recommends that you run the nonconcurrent version of SDD, if HACMP is running. For AIX 4.3, the nonconcurrent version of SDD would be `ibmSdd_433.rte`. For AIX 5.1, `ibmSdd_510nchacmp.rte` is the nonconcurrent version.

For SDD versions earlier than 1.3.1.3, refer to the corresponding User's Guide for HACMP support information. See Table 13.

HACMP provides a reliable way for clustered RS/6000 and IBM System p servers that share disk resources to recover from server and disk failures. In an HACMP environment, each RS/6000 and IBM System p server in a cluster is a node. Each node has access to shared disk resources that other nodes access. When there is a failure, HACMP transfers ownership of shared disks and other resources based on how you define the resource takeover mode of the nodes in a cluster. This process is known as *node failover* or *node fallback*. HACMP supports two modes of operation:

nonconcurrent

Only one node in a cluster is actively accessing shared disk resources while other nodes are standby.

concurrent

Multiple nodes in a cluster are actively accessing shared disk resources.

Table 13. Recommended SDD installation packages and supported HACMP modes for SDD versions earlier than SDD 1.4.0.0

Installation package	Version of SDD supported	HACMP mode supported
<code>ibmSdd_432.rte</code>	SDD 1.1.4 (SCSI only)	Concurrent
<code>ibmSdd_433.rte</code>	SDD 1.3.1.3 (or later) (SCSI and fibre channel)	Concurrent or nonconcurrent
<code>ibmSdd_510nchacmp.rte</code>	SDD 1.3.1.3 (or later) (SCSI and fibre channel)	Concurrent or nonconcurrent

Tip: If you use a *mix* of nonconcurrent and concurrent resource groups (such as *cascading and concurrent resource groups* or *rotating and concurrent resource groups*) with HACMP, you should use the nonconcurrent version of SDD if you are running an SDD version earlier than 1.4.0.0.

HACMP is not supported on all models of disk storage systems. For information about supported disk storage system models and required disk storage system microcode levels, go to the following Web site:

www.ibm.com/servers/storage/support/software/sdd

SDD supports RS/6000 and IBM System p servers connected to shared disks with SCSI adapters and drives as well as FCP adapters and drives. The kind of attachment support depends on the version of SDD that you have installed.

The following tables summarize the software requirements to support HACMP:

- Table 14
- Table 15

You can use the command **instfix -ik IYxxxx**, where *xxxx* is the APAR number, to determine if APAR *xxxx* is installed on your system.

Table 14. Software support for HACMP 4.5 on AIX 4.3.3 (32-bit only), 5.1.0 (32-bit and 64-bit), 5.2.0 (32-bit and 64-bit)

SDD version and release level	HACMP 4.5 + APARs
devices.sdd.43.rte installation package for SDD 1.4.0.0 (or later) (SCSI/FCP)	Not applicable
devices.sdd.51.rte installation package for SDD 1.4.0.0 (or later) (SCSI/FCP)	<ul style="list-style-type: none"> • IY36938 • IY36933 • IY35735 • IY36951
devices.sdd.52.rte installation package for SDD 1.4.0.0 (or later) (SCSI/FCP)	<ul style="list-style-type: none"> • IY36938 • IY36933 • IY36782 • IY37744 • IY37746 • IY35810 • IY36951
<p>Note: For up-to-date APAR information for HACMP, go to the following Web site:</p> <p>https://techsupport.services.ibm.com/server/aix.fdc</p>	

Table 15. Software support for HACMP 4.5 on AIX 5.1.0 (32-bit and 64-bit kernel)

SDD version and release level	HACMP 4.5 + APARs
ibmSdd_510nchacmp.rte installation package for SDD 1.3.1.3 (SCSI/FCP)	<ul style="list-style-type: none"> • IY36938 • IY36933 • IY35735 • IY36951

Table 15. Software support for HACMP 4.5 on AIX 5.1.0 (32-bit and 64-bit kernel) (continued)

SDD version and release level	HACMP 4.5 + APARs
ibmSdd_510nchacmp.rte installation package for SDD 1.3.2.9 (to SDD 1.3.3.x) (SCSI/FCP)	<ul style="list-style-type: none"> • IY36938 • IY36933 • IY35735 • IY36951
<p>Note: For up-to-date APAR information for HACMP, go to the following Web site: https://techsupport.services.ibm.com/server/aix.fdc</p>	

SDD persistent reserve attributes

With SDD 1.4.0.0 or later, a single package (corresponding to the AIX OS level) applies to HACMP running in both concurrent and nonconcurrent mode. In order to support HACMP in nonconcurrent mode with single-point-failure protection, the SDD installation packages implement the SCSI-3 Persistent Reserve command set.

The SDD installation packages have a new attribute under the pseudo-parent (dpo) that reflects whether or not the supported storage device supports the Persistent Reserve Command set. The attribute name is *persistent_resv*. If SDD detects that G3-level microcode is installed, the *persistent_resv* attribute is created in the CuAt ODM and the value is set to *yes*; otherwise this attribute exists only in the PdAt ODM and the value is set to *no* (default). You can use the following command to check the *persistent_resv* attribute, after the SDD device configuration is complete:

```
lsattr -E1 dpo
```

If your host is attached to a supported storage device with the G3 microcode, the output should look similar to the following output.

```
> lsattr -E1 dpo
SDD_maxlun 1200 Maximum LUNS allowed True
persistent_resv yes Subsystem Supports Persistent Reserve Command False
qdepth_enable yes Queue Depth Control True
```

To check the persistent reserve key of a node that HACMP provides, enter the command:

```
odmget -q "name = ioaccess" CuAt
```

The output should look similar to this:

```
name = "ioaccess"
attribute = "preservekey"
value = "01043792"
type = "R"
generic = ""
rep = "s"
nls_index = 0
```

Preparation for importing volume groups under HACMP

Starting from SDD 1.6.0.0, if the SDD vpath device is not reserved by another host and if there is pvid resided on the physical disk, the SDD configuration method will read the pvid from the physical disk and create the pvid attribute in the ODM database for all SDD vpath devices. Furthermore, the SDD configuration method will clean up supported storage devices' (hdisk) pvid from ODM database. With this feature, the host should have the pvid on the SDD vpath devices after an SDD

vpath configuration, if a pvid exists on the physical disk (See Scenario 3 below). If no pvid exists on the physical disk, you will see the display as shown in Scenario 4 below. You should determine the scenario that matches your host and follow the procedures described for that scenario.

Before SDD 1.6.0.0, SDD does not automatically create the pvid attribute in the ODM database for each SDD vpath device. The AIX disk driver automatically creates the pvid attribute in the ODM database, if a pvid exists on the physical device. Because SDD versions earlier than 1.6.0.0 do not automatically create the pvid attribute in the ODM database for each SDD vpath device, the first time that you import a new SDD volume group to a new cluster node, you must import the volume group using hdisks as physical volumes. Next, run the hd2vp conversion script (see “SDD utility programs” on page 80) to convert the volume group’s physical volumes from supported storage device hdisks to SDD vpath devices. This conversion step not only creates pvid attributes for all SDD vpath devices that belong to that imported volume group, it also deletes the pvid attributes for the underlying hdisks for these SDD vpath devices. Later on, you can import and vary on the volume group directly from the SDD vpath devices. These special requirements apply to both concurrent and nonconcurrent volume groups.

Under certain conditions, the state of a physical device’s pvid on a system is not always as expected. It is necessary to determine the state of a pvid as displayed by the **lspv** command, in order to select the appropriate import volume group action.

There are four scenarios:

Scenario 1. lspv displays pvids for both hdisks and vpath:

```
>lspv
disk1  003dfc10a11904fa None
disk2  003dfc10a11904fa None
vpath0 003dfc10a11904fa None
```

Scenario 2. lspv displays pvids for hdisks only:

```
>lspv
disk1  003dfc10a11904fa None
disk2  003dfc10a11904fa None
vpath0 none      None
```

For both Scenario 1 and Scenario 2, the volume group should be imported using the hdisk names and then converted using the **hd2vp** command:

```
>importvg -y vg_name -V major# hdisk1
>hd2vp vg_name
```

Scenario 3. lspv displays the pvid for vpath only:

```
>lspv
disk1  none      None
disk2  none      None
vpath0 003dfc10a11904fa None
```

For Scenario 3, the volume group should be imported using the vpath name:

```
>importvg -y vg_name -V major# vpath0
```

Scenario 4. lspv does not display the pvid on the hdisks or the vpath:

```
>lspv
disk1  none      None
disk2  none      None
vpath0 none      None
```

For Scenario 4, the pvid will need to be placed in the ODM for the SDD vpath devices and then the volume group can be imported using the vpath name:

```
>chdev -l vpath0 -a pv=yes  
>importvg -y vg_name -V major# vpath0
```

Note: See “Importing volume groups with SDD” on page 72 for a detailed procedure for importing a volume group with the SDD devices.

HACMP RAID concurrent-mode volume groups and enhanced concurrent-capable volume groups

This section provides information about HACMP RAID concurrent-mode volume groups and enhanced concurrent-capable volume groups. This section also provides instructions on the following procedures for both HACMP RAID concurrent-mode volume groups and enhanced concurrent-capable volume groups.

- Creating volume groups
- Importing volume groups
- Removing volume groups
- Extending volume groups
- Reducing volume groups
- Exporting volume groups

Starting with AIX 5.1D and HACMP 4.4.1.4, you can create enhanced concurrent-capable volume groups with supported storage devices. HACMP supports both kinds of concurrent volume groups (HACMP RAID concurrent-mode volume groups and enhanced concurrent-capable volume groups).

This section describes the advantage of enhanced concurrent-capable volume groups in an HACMP environment. It also describes the different ways of creating two kinds of concurrent-capable volume groups. While there are different ways to create and vary on concurrent-capable volume groups, the instructions to export a volume group are always the same. See “Exporting HACMP RAID concurrent-mode volume groups” on page 56.

Note: For more information about HACMP RAID concurrent-mode volume groups, see the HACMP Administration Guide.

Creating HACMP RAID concurrent-mode volume groups

Perform the following steps to create an HACMP RAID concurrent-mode volume group:

Note: On each node in the cluster, issue the **lvlstmajor** command to determine the next common available major number (volume groups must be created with a major number that is available on all nodes).

1. Enter **smitty datapath_mkvg** at the command prompt.
2. A screen similar to the following is displayed. Enter the information appropriate for your environment. The following example shows how to create a concurrent access volume group *con_vg* on an SDD *vpath124*.

```
*****  
Add a Volume Group with Data Path Devices.
```

```
Type or select values in the entry fields.  
Press Enter AFTER making all required changes.
```

```

[Entry Fields]
VOLUME GROUP name           [con_vg]
Physical partition SIZE in megabytes      4
PHYSICAL VOLUME names       [vpath124]
Activate volume group AUTOMATICALLY at system restart? no
Volume Group MAJOR NUMBER    [80]
Create VOLUME GROUPS concurrent-capable? no
Auto-varyon in concurrent mode? no
LTG size in kbytes 128
*****

```

Importing HACMP RAID concurrent-mode volume groups

When importing the volume group to other nodes in the cluster, you need to vary off the volume group on the node after it is created. You can import the volume group from either the SDD vpath device or the hdisk device, depending on the pvid condition on the node to which the volume group is to be imported. Follow this procedure to import a volume group with SDD vpath device.

1. On the node where the volume group was originally created, you can get the pvid:

```

NODE VG ORIGINALLY CREATED ON
monkey> lspv | grep con_vg
vpath124 000900cf4939f79c con_vg
monkey>

```

2. Then **grep** the pvid on the other nodes using the **lspv | grep <pvid found in step 1>** and the **lsvpcfg** commands. There are three scenarios. Follow the procedure for the scenario that matches the pvid status of your host:
 - a. If the pvid is on an SDD vpath device, the output of the **lspv | grep <pvid found in step 1>** and the **lsvpcfg** commands should look like the following example:

```

NODE VG BEING IMPORTED TO
zebra> lspv | grep 000900cf4939f79c
vpath124 000900cf4939f79c none
zebra>
zebra> lsvpcfg vpath124
vpath124 (Avail pv) 21B21411=hdisk126 (Avail) hdisk252 (Avail)

```

- 1) Enter **smitty importvg** at the command prompt.
- 2) A screen similar to the following is displayed. Enter the information appropriate for your environment. The following example shows how to import an HACMP RAID concurrent-mode volume group using the *con_vg* on an SDD vpath device *vpath124*:

```

*****
Import a Volume Group

Type or select values in the entry fields.
Press Enter AFTER making all desired changes.

```

```

[Entry Fields]
VOLUME GROUP name           [con_vg]
PHYSICAL VOLUME names       [vpath124]
Volume Group MAJOR NUMBER    [80]
Make this VOLUME GROUP concurrent-capable? no
Make default varyon of VOLUME GROUP concurrent? no
*****

```

- b. If the pvid is on hdisk devices, the output of the **lspv | grep <pvid found in step 1>** and the **lsvpcfg** commands should look like the following example:

NODE VG BEING IMPORTED TO

```
zebra> lspv | grep 000900cf4939f79c
hdisk126 000900cf4939f79c none
hdisk252 000900cf4939f79c none
```

zebra>

```
zebra> lsvpcfg | egrep -e 'hdisk126 ('
vpath124 (Avail) 21B21411=hdisk126 (Avail pv) hdisk252 (Avail pv)
```

- 1) Enter **smitty importvg** at the command prompt.
- 2) A screen similar to the following is displayed. Enter the information appropriate for your environment. The following example shows how to import an HACMP RAID concurrent-mode volume group using the *con_vg* on an SDD *hdisk126*:

```
*****
Import a Volume Group
```

Type or select values in the entry fields.
Press Enter AFTER making all desired changes.

```
[Entry Fields]
VOLUME GROUP name           [con_vg]
PHYSICAL VOLUME names       [hdisk126]
Volume Group MAJOR NUMBER   [80]
Make this VOLUME GROUP concurrent-capable?  no
Make default varyon of VOLUME GROUP concurrent?  no
*****
```

- 3) After importing volume groups have been completed, issue the **lsvpcfg** command again to verify the state of the vpath.

```
zebra> lsvpcfg | egrep -e 'hdisk126 ('
vpath124 (Avail) 21B21411=hdisk126 (Avail pv con_vg) hdisk252 (Avail pv con_vg)
```

- 4) Enter the **hd2vp** command against the volume group to convert the pvid from hdisk devices to SDD vpath devices:

```
zebra> hd2vp con_vg
zebra> lsvpcfg | egrep -e 'hdisk126 ('
vpath124 (Avail pv con_vg) 21B21411=hdisk126 (Avail) hdisk252 (Avail)
```

- c. If there is no pvid on either hdisk or SDD vpath device, the output of the **lspv | grep <pvid found in step 1>** and the **lsvpcfg** commands should look like the following example:

NODE VG BEING IMPORTED TO

```
zebra> lspv | grep 000900cf4939f79c
zebra>
```

- 1) Issue the **chdev -l vpathX -a pv=yes** command to retrieve the pvid value.
- 2) There is a possibility that the SDD vpath device might be different for each host. Verify that the serial numbers (in this example, it is 21B21411) following the SDD vpath device names on each node are identical.

To determine a matching serial number on both nodes, run the **lsvpcfg** command on both nodes.

```
monkey> lsvpcfg
vpath122 (Avail) 21921411=hdisk255 (Avail) hdisk259 (Avail)
vpath123 (Avail) 21A21411=hdisk256 (Avail) hdisk260 (Avail)
vpath124 (Avail pv con_vg) 21B21411=hdisk127 (Avail) hdisk253 (Avail)
monkey>
```

```
zebra> lsvpcfg | egrep -e '21B221411
vpath124 (Avail) 21B21411=hdisk126 (Avail) hdisk252 (Avail)
zebra>
```

Note: You should also verify that the volume group is not varied on for any of the nodes in the cluster prior to attempting retrieval of the pvid.

- 3) Enter **smitty importvg** at the command prompt.
- 4) A screen similar to the following is displayed. Enter the information appropriate for your environment. The following example shows how to import an HACMP RAID concurrent-mode volume group using the *con_vg* on an SDD vpath device *vpath124*.

```
*****
Import a Volume Group

Type or select values in the entry fields.
Press Enter AFTER making all desired changes.

[Entry Fields]
VOLUME GROUP name           [con_vg]
PHYSICAL VOLUME names       [vpath124]
Volume Group MAJOR NUMBER   [80]
Make this VOLUME GROUP concurrent-capable?   no
Make default varyon of VOLUME GROUP concurrent? no
*****
```

3. After importing volume groups has been completed, issue the **lsvpcfg** command again to verify the state of the SDD vpath device.

```
zebra> lsvpcfg vpath124
vpath124 (Avail pv con_vg) 21B21411=hdisk126 (Avail) hdisk252 (Avail)
```

Attention: When any of these HACMP RAID concurrent-mode volume groups are imported to the other nodes, it is important that they are *not* set for *autovaryon*. This will cause errors when attempting to synchronize the HACMP cluster. When the concurrent access volume groups are not set to *autovaryon*, a special option flag *-u* is required when issuing the **varyonvg** command to make them concurrent-accessible across all the cluster nodes.

Use the **lsvg vname** command to check the value of *autovaryon*.

Use the **chvg -an vname** command to set *autovaryon* to FALSE.

Removing HACMP RAID concurrent-mode volume groups

Perform the following steps to remove an HACMP RAID concurrent-mode volume group:

Notes:

1. Removing an HACMP RAID concurrent-mode volume group can be accomplished by exporting volume groups, or by following the procedure below.
2. These steps need to be run on all nodes.
 1. Ensure that the volume group is varied on.
 2. Enter **smitty vg** at the command prompt.
 3. Select **Remove a Volume Group** from the displayed menu.

Note: A screen similar to the following example is displayed. Enter the information appropriate for your environment. The following example shows how to remove an HACMP RAID concurrent-mode volume group using the *con_vg* volume group.

```
*****
Remove a Volume Group
```

Type or select values in the entry fields.
Press Enter AFTER making all desired changes.

```
[Entry Fields]
VOLUME GROUP name          [con_vg]
*****
```

Extending HACMP RAID concurrent-mode volume groups

Perform the following steps to extend an HACMP RAID concurrent-mode volume group:

1. Vary off the HACMP RAID concurrent-mode volume group to be extended on all nodes.
2. Enter **smitty datapath_extendvg** at the command prompt of one of the nodes.
3. A screen similar to the following example is displayed. Enter the information appropriate for your environment. The following example shows how to extend an HACMP RAID concurrent-mode volume group using the *con_vg* on an SDD *vpath2*.

```
*****
Add a Datapath Physical Volume to a Volume Group
```

Type or select values in the entry fields.
Press Enter AFTER making all desired changes.

```
[Entry Fields]
VOLUME GROUP name          [con_vg]
PHYSICAL VOLUME names      [vpath2]
*****
```

4. Vary off the volume group after extending it on the current node.
5. For all the nodes sharing *con_vg*, do the following:
 - a. Enter the **chdev -l vpath2 -a pv=yes** command to obtain the pvid for this vpath on the other host.
 - b. Verify that the pvid exists by issuing the **lspv** command.
 - c. Enter **importvg -L con_vg vpath2** to import the volume group again.
 - d. Verify that *con_vg* has the extended vpath included by using the **lspv** command.

Reducing HACMP RAID concurrent-mode volume groups

Perform the following steps to reduce an HACMP RAID concurrent-mode volume group:

1. Vary off the HACMP RAID concurrent-mode volume group to be reduced on all nodes.
2. Enter **smitty vg** at the command prompt.
3. Select **Set Characteristics of a Volume Group** from the displayed menu.
4. Select **Remove a Physical Volume from a Volume Group** from the displayed menu.
5. A screen similar to the following example is displayed. Enter the information appropriate for your environment. The following example shows how to reduce

an HACMP RAID concurrent-mode volume group using the *con_vg* on an SDD *vpath1*. Assume that *con_vg* originally has *vpath0* and *vpath1* as its physical volumes.

```
*****
Remove a Physical Volume from a Volume Group
```

Type or select values in the entry fields.
Press Enter AFTER making all desired changes.

```
[Entry Fields]
VOLUME GROUP name           [con_vg]
PHYSICAL VOLUME names       [vpath1]
FORCE deallocation of all partitions    yes
*****
```

6. Vary off the volume group after reducing it on the current node.
7. For all the nodes sharing *con_vg*, do the following:
 - a. Enter **exportvg con_vg** at the command prompt.
 - b. Enter **smitty importvg** at the command prompt.
 - c. A screen similar to the following is displayed. Enter the information appropriate for your environment.

```
*****
Import a Volume Group
```

Type or select values in entry fields.
Press Enter AFTER making all desired changes.

```
[Entry Fields]
VOLUME GROUP name           [con_vg]
PHYSICAL VOLUME name        [vpath0]
+
Volume Group MAJOR NUMBER    [45]
+#
Make this VG Concurrent Capable?    No      +
Make default varyon of VG Concurrent?  no      +
*****
```

- d. Verify that *con_vg* has the *vpath* reduced by using the **lspv** command.

Exporting HACMP RAID concurrent-mode volume groups

To export an HACMP RAID concurrent-mode volume group, enter **exportvg** at the command prompt.

Notes:

1. To export *con_vg*, use the **exportvg con_vg** command.
2. Before exporting an HACMP RAID concurrent-mode volume group, make sure the volume group is varied off.

Enhanced concurrent-capable volume groups

With the AIX 5.1D and HACMP 4.4.1.4 environments, enhanced concurrent mode is supported with both 32-bit and 64-bit kernels. The advantage of this mode is that after you create an enhanced concurrent-capable volume group on multiple nodes, the changes made to the logical volume or volume group structures on one node (for example, extending or reducing a volume group), are propagated to all other nodes. Also, the Logical Volume Manager (LVM) configuration files are updated on all nodes.

The following sections provide information and instructions on the operating actions that you can perform.

For more detailed information on enhanced concurrent-capable volume groups, see “Supporting enhanced concurrent mode in an HACMP environment” on page 59.

Creating enhanced concurrent-capable volume groups:

Perform the following steps to create enhanced concurrent-capable volume groups:

Note: On each node in the cluster, issue the **lvlstmajor** command to determine the next available major number. The volume groups must be created with a major number that is available on all nodes. The following listing is an example:

```
dollar>lvlstmajor
41,54..58,60..62,67,78...
monkey>lvlstmajor
39..49,55,58,67,80...
zebra>lvlstmajor
40..49,55,58..61,67,78...
```

From this listing, the next common available major number can be selected (41, 55, 58, 61, 67, 68, 80, ...). However, if multiple volume groups are going to be created, the user might begin with the highest available (80) and increase by increments from there.

1. Enter **smitty datapath_mkvg** at the command prompt.
2. A screen similar to the following example is displayed. Enter the information appropriate for your environment. The following example shows how to create an enhanced concurrent-capable volume group using the *con_vg* on an SDD *vpath0*.

```
*****
Add a Volume Group with Data Path Devices

Type or select values in the entry fields.
Press Enter AFTER making all desired changes.

[Entry Fields]
VOLUME GROUP name           [con_vg]
Physical partition SIZE in megabytes          4
Activate volume group AUTOMATICALLY at system restart?      no
Volume Group MAJOR NUMBER           [80]
Create VOLUME GROUPS concurrent-capable?          yes
Auto-varyon in concurrent mode?          no
LTG size in kbytes           128
*****
```

Importing enhanced concurrent-capable volume groups:

Perform the following step to import enhanced concurrent-capable volume groups.

Enter **smitty importvg** at the command prompt.

Notes:

1. Before importing enhanced concurrent-capable volume groups on SDD vpath devices, issue the **lspv** command to make sure there is pvid on the SDD vpath device. If pvid is not displayed, import the volume group on one of the hdisks that belongs to the SDD vpath device. Enter **hd2vp** to convert the volume group to SDD vpath devices.

2. If the hdisks do not have a pvid, issue the **chdev -l hdiskX -a pv=yes** to recover it. To verify that pvid now exists, issue the **lspv** command against the hdisk. This method can also be used when attempting to obtain a pvid on an SDD vpath device.
3. Verify that the volume group is not varied on for any of the nodes in the cluster prior to attempting to retrieve the pvid.
4. A screen similar to the following example is displayed. Enter the information appropriate to your environment. The following example shows how to import an enhanced concurrent-capable volume group using the *con_vg* on SDD vpath device *vpath3*.

```

*****
Import a Volume Group

Type or select values in the entry fields.
Press Enter AFTER making all desired changes.

[Entry Fields]
VOLUME GROUP name           [con_vg]
PHYSICAL VOLUME names       [vpath3]
Volume Group MAJOR NUMBER   [45]
Make this VOLUME GROUP concurrent-capable?      yes
Make default varyon of VOLUME GROUP concurrent? no
*****

```

Note: The major number identified must be the same one used when the volume group was first created.

Extending enhanced concurrent-capable volume groups:

Note: Before attempting the extend of the concurrent volume group, ensure that pvids exist on the SDD vpath device/hdisks on all nodes in the cluster.

Perform the following steps to extend an enhanced concurrent-capable volume group:

1. Enter **smitty datapath_extendvg** at the command prompt.
2. A screen similar to the following is displayed. Enter the information appropriate for your environment. The following example shows how to extend an enhanced concurrent-capable volume group using the *con_vg* on SDD vpath device *vpath2*.

```

*****
Add a Datapath Physical Volume to a Volume Group

Type or select values in the entry fields.
Press Enter AFTER making all desired changes.

[Entry Fields]
VOLUME GROUP name           [con_vg]
PHYSICAL VOLUME names       [vpath2]
*****

```

Note: Verify that extending of enhanced concurrent-capable volume groups worked on the particular node and that all changes were propagated to all other nodes in the cluster using the **lsvpcfg** command.

Reducing enhanced concurrent-capable volume groups:

Perform the following steps to reduce an enhanced concurrent-capable volume group:

1. Enter **smitty vg** at the command prompt.
2. Select **Set Characteristics of a Volume Group** from the displayed menu.
3. Select **Remove a Physical Volume from a Volume Group** from the displayed menu.
4. A screen similar to the following is displayed. Enter the information appropriate for your environment. The following example shows how to reduce an enhanced concurrent-capable volume group using the *con_vg* on SDD vpath device *vpath2*.

```

*****
Remove a Physical Volume from a Volume Group

Type or select values in the entry fields.
Press Enter AFTER making all desired changes.

[Entry Fields]
VOLUME GROUP name           [con_vg]
PHYSICAL VOLUME names       [vpath2]
FORCE deallocation of all partitions          yes
*****

```

Note: Verify that reducing of volume groups worked on the particular node and that all changes were propagated to all other nodes in the cluster using the **lsvpcfg** command.

Recovering paths that are lost during HACMP node fallover

Typically, when there is a node failure, HACMP transfers ownership of shared disks and other resources through a process known as node fallover. Certain situations, such as a loose or disconnected SCSI or fibre-channel-adapter card, can cause your SDD vpath devices to lose one or more underlying paths during node fallover. Perform the following steps to recover these paths:

- Check to ensure that all the underlying paths (hdisks) are in the *Available* state.
- Enter the **addpaths** command to add the lost paths back to the SDD devices.

If your SDD vpath devices have lost one or more underlying paths that belong to an active volume group, you can use either the Add Paths to Available Data Path Devices SMIT panel or run the **addpaths** command from the AIX command line to recover the lost paths. Go to “Dynamically adding paths to SDD vpath devices” on page 40 for more information about the **addpaths** command.

Note: Running the **cfgmgr** command while the SDD vpath devices are in the *Available* state will not recover the lost paths; you must run the **addpaths** command to recover the lost paths.

Supporting enhanced concurrent mode in an HACMP environment

To run HACMP in this enhanced concurrent mode, you need:

- ESCRM feature of HACMP
- *bos.clvm.enh* and *bos.rte.lvm* filesets installed at level 5.1.0.10 (or later) on all the nodes

SDD 1.3.2.9 (or later) provides the updated version of **mkvg4vp** and smit panel for the user to create enhanced concurrent-capable volume groups. To create enhanced concurrent-capable volume groups from the command line, the user needs to turn on the **-c** (in 32-bit kernel) or the **-C** (in 64-bit kernel) option for the **mkvg4vp** command. To create enhanced concurrent-capable volume groups from the smit panel, set **Create Volume Group concurrent-capable?** to **yes**. Both ways

will leave the enhanced concurrent-capable volume group in varied-off mode. Import this concurrent volume group to all other nodes and add the volume group into the HACMP concurrent resource group, and then start the HACMP cluster. The volume group will be varied-on by HACMP. After the changes are made to one volume group on one node, all changes are automatically propagated to the other nodes.

For more detailed information and instructions on creating, removing, reducing, importing, and exporting enhanced concurrent-capable volume groups, see “Enhanced concurrent-capable volume groups” on page 56.

SDD server daemon

The SDD server (sddsrv) is an integrated component of SDD 1.3.2.9 (or later). This component consists of a UNIX application daemon that is installed in addition to the SDD device driver. See Chapter 12, “Using the SDD server and the SDDPCM server,” on page 367 for more information about sddsrv.

Attention: Running sddsrv will activate several AIX Fibre Channel Protocol or adapter driver problems on AIX 4.3.3 and 5.1.0. One of the problems in the AIX Fibre Channel Protocol driver is that internal resources can be leaked. You will experience this as a performance degradation that grows worse over time. Performance can be restored by unconfiguring and reconfiguring the fibre-channel adapter or by rebooting the system. AIX users with Fibre Channel Protocol support and the SDD server daemon installed should apply the PTFs listed in “PTFs for APARs on AIX with Fibre Channel and the SDD server” on page 61.

Verifying if the SDD server has started

After you have installed SDD, verify if the SDD server (sddsrv) has automatically started by entering **lssrc -s sddsrv**.

If the SDD server (sddsrv) has automatically started, the output from **lssrc -s sddsrv** command looks like this:

```
Subsystem  GROUP  PID Status
sddsrv      NNN   Active
```

where *NNN* is the process ID number.

The status of sddsrv should be *Active* if the SDD server has automatically started.

If the SDD server has *not* started, the status will be *Inoperative*. Go to “Starting the SDD server manually” on page 61 to proceed.

Note: During OS installations and migrations, the following command could be added to `/etc/inittab`:

```
install_assist:2:wait:/usr/sbin/install_assist </dev/console>/dev/console 2>&1
```

Because this command runs in the foreground, it will prevent all the subsequent commands in the script from starting. If sddsrv happens to be behind this line, sddsrv will not run after system reboot. You should check `/etc/inittab` during OS installations or migrations and comment out this line.

Starting the SDD server manually

If the SDD server did not start automatically after you performed the SDD installation, you can start `sddsrv` by entering **`startsrc -s sddsrv`**.

Go to “Verifying if the SDD server has started” on page 60 to verify that the SDD server started successfully.

Changing to a different port number for the SDD server

See “Changing the `sddsrv` or `pcmsrv` TCP/IP port number” on page 369.

Stopping the SDD server

You can temporarily disable `sddsrv` by entering the command **`stopsrc -s sddsrv`**. This will stop the current version of `sddsrv`, but `sddsrv` will start again if the system is rebooted.

You can also choose to replace the current version of `sddsrv` with a stand-alone version by doing the following:

1. Enter **`stopsrc -s sddsrv`** to stop the current version of `sddsrv`.
2. Verify that the SDD server has stopped. See “Verifying if the SDD server has started” on page 60 and the status should be *inoperative*.
3. Comment out following line:

```
srv:2:wait:/usr/bin/startsrc -s sddsrv > /dev/null 2>&1
```

in the system `/etc/inittab` table.

4. Add following line:

```
srv:2:wait:/usr/bin/startsrc -a s0 -s sddsrv > /dev/null 2>&1
```

to the system `/etc/inittab` table.

5. Enter **`startsrc -a s0 -s sddsrv`** to start a stand-alone version of `sddsrv`.

Starting `sddsrv` with the `s0` flag does not provide path health check or path reclamation functions. You should manually recover paths by using the **`datapath`** command. See “datapath set device path” on page 396 for more information.

If `sddsrv` is stopped, the feature that automatically recovers failed paths (DEAD or CLOSE_DEAD path) is disabled. During the concurrent storage bay quiesce/resume process, you must manually recover the adapter or paths after the quiesce/resume is completed on one bay, and before the quiesce/resume starts on the next bay. Without doing so, the application might fail. See “datapath set device path” on page 396 for more information.

If you are running HACMP and are experiencing problems associated with `sddsrv` (see “Understanding SDD support for High Availability Cluster Multi-Processing” on page 47), see Table 16 on page 62 for information about HACMP fixes that will solve the problems.

PTFs for APARs on AIX with Fibre Channel and the SDD server

If you have fibre-channel support and the SDD server daemon running, PTFs for the APARs shown in Table 16 on page 62 must be applied to your AIX servers in order to avoid a performance degradation.

Table 16. PTFs for APARs on AIX with fibre-channel support and the SDD server daemon running

AIX version	APAR	PTF
AIX 5.1	IY32325 (available in either of devices.pci.df1000f7.com 5.1.0.28 or 5.1.0.35)	U476971 U482718
AIX 5.1	IY37437 (available in devices.pci.df1000f7.com 5.1.0.36)	U483680
AIX 4.3.3	IY35177 (available in devices.pci.df1000f7.com 4.3.3.84)	U483803
AIX 4.3.3	IY37841 (available in devices.pci.df1000f7.com 4.3.3.86)	U484723

If you experience a degradation in performance, you should disable sddsrv until the PTFs for these APARs can be installed. After the PTFs for these APARs are installed, you should re-enable sddsrv.

Dynamically changing the SDD path-selection policy algorithm

SDD 1.3.3.9 (or later) supports dynamically changing the SDD devices path-selection policy. The following path-selection policies are supported:

failover only (fo)

All I/O operations for the device are sent to the same (preferred) path until the path fails because of I/O errors. Then an alternate path is chosen for subsequent I/O operations. If there are multiple (preferred) paths on multiple adapters, I/O operation on each adapter will *not* be balanced among the adapters based on the load of each adapter.

load balancing (lb)

The path to use for an I/O operation is chosen by estimating the load on the adapter to which each path is attached. The load is a function of the number of I/O operations currently in process. If multiple paths have the same load, a path is chosen at random from those paths. Load-balancing mode also incorporates failover protection.

Note: The load-balancing policy is also known as the *optimized policy*.

load balancing sequential (lbs)

This policy is the same as the load-balancing policy with optimization for sequential I/O.

round robin (rr)

The path to use for each I/O operation is chosen at random from paths that were not used for the last I/O operation. If a device has only two paths, SDD alternates between the two.

round robin sequential (rrs)

This policy is the same as the round-robin policy with optimization for sequential I/O.

default (df)

The policy is set to the default policy, which is load balancing.

The path-selection policy is set at the SDD device level. The default path-selection policy for an SDD device is load balancing.

Before changing the path-selection policy, determine the active attributes for the SDD device. Enter the **lsattr -El vpathN** command, where *N* represents the vpath number. Press **Enter**. The output should look similar to this:

```
[root@tor1]# lsattr -El vpath0
active_hdisk hdisk99/15AB2ZA1012/fscsi0 Active hdisk False
active_hdisk hdisk4/15AB2ZA1012/fscsi1 Active hdisk False
active_hdisk hdisk68/15AB2ZA1012/fscsi0 Active hdisk False
active_hdisk hdisk36/15AB2ZA1012/fscsi1 Active hdisk False
policy_df Scheduling Policy True
pvid 0004a2cd905a2e370000000000000000 Physical volume identifier False
serial_number 13AB2ZA1012 LUN serial number False
```

datapath set device policy command

Use the **datapath set device policy** command to change the SDD path-selection policy dynamically:

Note: You can enter the **datapath set device N policy** command to change the policy dynamically associated with vpaths in either *Close* or *Open* state.

See “datapath set device policy” on page 395 for more information about the **datapath set device policy** command.

Dynamically opening an invalid or close_dead path

With SDD 1.3.2.9 (or later), you can issue the **datapath open path** command to dynamically open a path that is in an INVALID or CLOSE_DEAD state if the SDD vpath device it belongs to is in the OPEN state. You can use this command even when the I/O is actively running. See “datapath open device path” on page 376 in Chapter 13, “Using the datapath commands,” on page 371 for more information.

Fibre-channel Dynamic Device Tracking for AIX 5.20 ML1 (and later)

This section applies only to AIX 5.20 ML1 and later releases.

Starting from AIX 5.20 ML1 and later releases, the AIX fibre-channel driver supports fibre-channel Dynamic Device Tracking. This enables the dynamic changing of fibre-channel cable connections on switch ports or on supported storage ports without unconfiguring and reconfiguring hdisk and SDD vpath devices.

With dynamic tracking enabled, the fibre-channel adapter detects the change of the device’s fibre-channel node port ID. It reroutes the traffic that is destined for that device to the new worldwide port name (WWPN) while the device is still online.

SDD 1.5.0.0 and later support this feature. SDD 1.6.0.0 and later support all disk storage system devices. This feature allows for the following scenarios to occur without I/O failure:

1. Combine two switches in two SANs into one SAN by connecting switches with cable and cascading switches within 15 seconds.
2. Change connection to another switch port; the disconnected cable must be reconnected within 15 seconds.

3. Swap switch ports of two cables on the SAN; the disconnected cable must be reconnected within 15 seconds. The switch ports must be in the same zone on the same switch.
4. Swap ports of two cables on disk storage system; the disconnected cable must be reconnected within 15 seconds.

Note: This 15 seconds includes the time to bring up the fibre channel link after you reconnect the cables. Thus the actual time that you can leave the cable disconnected is less than 15 seconds. For disk storage systems, it takes approximately 5 seconds to bring up the fibre channel link after the fibre channel cables are reconnected.

By default, dynamic tracking is disabled. Use the following procedure to enable dynamic tracking:

1. Execute the **rmdev -l fscsiX -R** for all adapters on your system to change all the children devices of fscsiX on your system to the defined state.
2. Execute the **chdev -l fscsiX -a dyntrk=yes** command for all adapters on your system.
3. Run **cfgmgr** to reconfigure all devices back to the available state.

To use Fibre-channel Dynamic Device Tracking, you need the following fibre-channel device driver PTFs applied to your system:

- U486457.bff (This is a prerequisite PTF.)
- U486473.bff (This is a prerequisite PTF.)
- U488821.bff
- U488808.bff

After applying the PTFs listed above, use the **lslpp** command to ensure that the files `devices.fcp.disk.rte` and `devices.pci.df1000f7.com` are at level 5.2.0.14 or later.

Note: Fibre-channel device dynamic tracking does not support the following case:

The port change on the supported storage devices where a cable is moved from one adapter to another free, previously unseen adapter on the disk storage system. The World Wide Port Name will be different for that previously unseen adapter, and tracking will not be possible. The World Wide Port Name is a static identifier of a remote port.

Understanding SDD 1.3.2.9 (or later) support for single-path configuration for supported storage devices

SDD 1.3.2.9 (or later) does not support concurrent download of licensed machine code in single-path mode.

SDD does support single-path SCSI or fibre-channel connection from your AIX host system to supported storage devices. It is possible to create a volume group or an SDD vpath device with only a single path. However, because SDD cannot provide single-point-failure protection and load balancing with a single-path configuration, you should not use a single-path configuration.

Tip: It is also possible to change from single-path to multipath configuration by using the **addpaths** command. For more information about the **addpaths** command, go to “Dynamically adding paths to SDD vpath devices” on page 40.

Understanding the persistent reserve issue when migrating from SDD to non-SDD volume groups after a system reboot

There is an issue with migrating from SDD to non-SDD volume groups after a system reboot. This issue only occurs if the SDD volume group was varied on prior to the system reboot and auto varyon was not set when the volume group was created. After the system reboot, the volume group will not be varied on.

The command to migrate from SDD to non-SDD volume group (**vp2hd**) will succeed, but a subsequent command to vary on the volume group will fail. This is because during the reboot, the persistent reserve on the physical volume of the volume group was not released, so when you vary on the volume group, the command will do a SCSI-2 reserve and fail with a reservation conflict.

There are two ways to avoid this issue.

1. Unmount the filesystems and vary off the volume groups before rebooting the system.
2. Execute **lquerypr -Vh /dev/vpathX** on the physical LUN before varying on volume groups after the system reboot. If the LUN is reserved by the current host, release the reserve by executing **lquerypr -Vrh /dev/vpathX** command. After successful execution, you will be able to vary on the volume group successfully.

Managing secondary-system paging space

SDD 1.3.2.6 (or later) supports secondary-system paging on *multipath* fibre-channel SDD vpath device from an AIX 4.3.3, AIX 5.1.0, AIX 5.2, or AIX 5.3 host system to a supported storage device.

SDD supports secondary-system paging on supported storage devices. The benefits are multipathing to your paging spaces. All the same commands for hdisk-based volume groups apply to using vpath-based volume groups for paging spaces.

The following sections provide information about managing secondary-system paging space.

Note: AIX does not recommend moving the primary paging space out of rootvg. Doing so might mean that *no* paging space is available during the system startup, which can result in poor startup performance. **Do not** redefine your primary paging space using SDD vpath devices.

Listing paging spaces

You can list paging spaces by entering:

```
lsps -a
```

Adding a paging space

You can add a paging space by entering:

```
mkps -a -n -sNN vg
```

The **mkps** command recognizes the following options and arguments:

-a	Makes the new paging space available at all system restarts.
-n	Activates the new paging space immediately.
-sNN	Accepts the number of logical partitions (<i>NN</i>) to allocate to the new paging space.
<i>vg</i>	The volume group name in which a paging logical volume is to be created.

Removing a paging space

You can remove a specified secondary paging space that is not active.

For example, to remove paging space PS01, enter:

```
rmpps PS01
```

Verifying load-balancing and failover protection

SDD provides load-balancing and failover protection for AIX applications and for the LVM when SDD vpath devices are used. These devices must have a minimum of two paths to a physical LUN for failover protection to exist.

Displaying the supported storage device SDD vpath device configuration

To provide failover protection, an SDD vpath device must have a minimum of two paths. Both the SDD vpath device and the hdisk devices must be in the *Available* state. In the following example, vpath0, vpath1, and vpath2 all have a single path and, therefore, will not provide failover protection because there is no alternate path to the LUN. The other SDD vpath devices have two paths and, therefore, can provide failover protection.

To display which supported storage device SDD vpath devices are available to provide failover protection, use either the Display Data Path Device Configuration SMIT panel, or run the **lsvpcfg** command. Perform the following steps to use SMIT:

1. Enter **smitty device** from your desktop window. The Devices panel is displayed.
2. Select **Data Path Devices** and press **Enter**. The Data Path Devices panel is displayed.
3. Select **Display Data Path Device Configuration** and press **Enter**.
4. To display the state (either Defined or Available) of all SDD vpath devices and the paths to each device, select all devices for **Select Query Option**, leave Device Name/ Device Model blank and press **Enter**.

You will see an output similar to the following example:

```

vpath0 (Avail pv vpathvg) 018FA067 = hdisk1 (Avail )
vpath1 (Avail ) 019FA067= hdisk2 (Avail )
vpath2 (Avail ) 01AFA067 = hdisk3 (Avail )
vpath3 (Avail ) 01BFA067 = hdisk4 (Avail ) hdisk27 (Avail )
vpath4 (Avail ) 01CFA067 = hdisk5 (Avail ) hdisk28 (Avail )
vpath5 (Avail ) 01DFA067 = hdisk6 (Avail ) hdisk29 (Avail )
vpath6 (Avail ) 01EFA067 = hdisk7 (Avail ) hdisk30 (Avail )
vpath7 (Avail ) 01FFA067 = hdisk8 (Avail ) hdisk31 (Avail )
vpath8 (Avail ) 020FA067 = hdisk9 (Avail ) hdisk32 (Avail )
vpath9 (Avail pv vpathvg) 02BFA067 = hdisk20 (Avail ) hdisk44 (Avail )
vpath10 (Avail pv vpathvg) 02CFA067 = hdisk21 (Avail ) hdisk45 (Avail )
vpath11 (Avail pv vpathvg) 02DFA067 = hdisk22 (Avail ) hdisk46 (Avail )
vpath12 (Avail pv vpathvg) 02EFA067 = hdisk23 (Avail ) hdisk47 (Avail )
vpath13 (Avail pv vpathvg) 02FFA067 = hdisk24 (Avail ) hdisk48 (Avail )

```

The following information is displayed:

- The name of each SDD vpath device, such as vpath1.
- The configuration state of the SDD vpath device. It is either *Defined* or *Available*. There is no failover protection if only one path is in the *Available* state. At least two paths to each SDD vpath device must be in the *Available* state to have failover protection.

Attention: The configuration state also indicates whether or not the SDD vpath device is defined to AIX as a physical volume (pv flag). If pv is displayed for *both* SDD vpath devices and the hdisk devices that it is comprised of, you might not have failover protection. Enter the **dpovgfix** command to fix this problem.

- The name of the volume group to which the device belongs, such as vpathvg.
- The unit serial number of the supported storage device LUN, such as 019FA067.
- The names of the AIX disk devices that comprise the SDD vpath devices, their configuration states, and the physical volume states. See “lsvpcfg” on page 81 for information about the **lsvpcfg** command.

You can also use the **datapath** command to display information about an SDD vpath device. This command displays the number of paths to the device. For example, the **datapath query device 10** command might produce this output:

```

DEV#: 10 DEVICE NAME: vpath10 TYPE: 2105B09 POLICY: Optimized
SERIAL: 02CFA067
=====
Path#      Adapter/Hard Disk   State   Mode   Select   Errors
  0         scsi6/hdisk21      OPEN   NORMAL  44       0
  1         scsi5/hdisk45      OPEN   NORMAL  43       0

```

The sample output shows that device vpath10 has two paths and both are operational. See “datapath query device” on page 381 for more information about the **datapath query device** command.

Configuring volume groups for failover protection

You can create a volume group with SDD vpath devices using the Volume Groups SMIT panel. Choose the SDD vpath devices that have failover protection for the volume group.

It is possible to create a volume group that has only a single path (see 67) and then add paths later by reconfiguring the supported storage device. (See “Dynamically adding paths to SDD vpath devices” on page 40 for information about adding paths to an SDD device.) However, an SDD volume group does not have failover protection if any of its physical volumes has only a single path.

Perform the following steps to create a new volume group with SDD vpath devices:

1. Enter **smitty** at the AIX command prompt. The System Management Interface Tool (SMIT) is displayed.
2. Select **System Storage Management (Physical & Logical Storage)** and press **Enter**. The System Storage Management (Physical & Logical Storage) panel is displayed.
3. Select **Logical Volume Manager** and press **Enter**. The Logical Volume Manager panel is displayed.
4. Select **Volume Group** and press **Enter**. The **Volume Groups** panel is displayed.
5. Select **Add a Volume Group with Data Path Devices** and press **Enter**.

Note: Press **F4** while highlighting the **PHYSICAL VOLUME names** field to list all the available SDD vpath devices.

If you use a script file to create a volume group with SDD vpath devices, you must modify your script file and replace the **mkvg** command with the **mkvg4vp** command.

All the functions that apply to a regular volume group also apply to an SDD volume group. Use SMIT to create a logical volume (mirrored, striped, or compressed) or a file system (mirrored, striped, or compressed) on an SDD volume group.

After you create the volume group, AIX creates the SDD vpath device as a physical volume (pv). In the output shown on page 67, vpath9 through vpath13 are included in a volume group and they become physical volumes. To list all the physical volumes known to AIX, use the **lspv** command. Any SDD vpath devices that were created into physical volumes are included in the output similar to the following output:

```
hdisk0      0001926922c706b2   rootvg
hdisk1      none                None
...
hdisk10     none                None
hdisk11     00000000e7f5c88a   None
...
hdisk48     none                None
hdisk49     00000000e7f5c88a   None
vpath0      00019269aa5bc858   None
vpath1      none                None
vpath2      none                None
vpath3      none                None
vpath4      none                None
vpath5      none                None
vpath6      none                None
vpath7      none                None
vpath8      none                None
vpath9      00019269aa5bbadd   vpathvg
vpath10     00019269aa5bc4dc   vpathvg
vpath11     00019269aa5bc670   vpathvg
vpath12     000192697f9fd2d3   vpathvg
vpath13     000192697f9fde04   vpathvg
```

To display the devices that comprise a volume group, enter the **lsvg -p vg-name** command. For example, the **lsvg -p vpathvg** command might produce the following output:

PV_NAME	PV STATE	TOTAL PPs	FREE PPs	FREE DISTRIBUTION
vpath9	active	29	4	00..00..00..00..04
vpath10	active	29	4	00..00..00..00..04
vpath11	active	29	4	00..00..00..00..04
vpath12	active	29	4	00..00..00..00..04
vpath13	active	29	28	06..05..05..06..06

The example output indicates that the **vpathvg** volume group uses physical volumes vpath9 through vpath13.

Losing failover protection

AIX can create volume groups only from or SDD vpath devices that are physical volumes. If a volume group is created using a device that is not a physical volume, AIX makes it a physical volume as part of the procedure of creating the volume group. A physical volume has a physical volume identifier (pvid) written on its sector 0 and also has a pvid attribute attached to the device attributes in the CuAt ODM. The **lspv** command lists all the physical volumes known to AIX. Here is a sample output from this command:

```

hdisk0      0001926922c706b2    rootvg
hdisk1      none                None
...
hdisk10     none                None
hdisk11     00000000e7f5c88a    None
...
hdisk48     none                None
hdisk49     00000000e7f5c88a    None
vpath0      00019269aa5bc858    None
vpath1      none                None
vpath2      none                None
vpath3      none                None
vpath4      none                None
vpath5      none                None
vpath6      none                None
vpath7      none                None
vpath8      none                None
vpath9      00019269aa5bbadd    vpathvg
vpath10     00019269aa5bc4dc    vpathvg
vpath11     00019269aa5bc670    vpathvg
vpath12     000192697f9fd2d3    vpathvg
vpath13     000192697f9fde04    vpathvg

```

In some cases, access to data is not lost, but failover protection might not be present. Failover protection can be lost in several ways:

- Losing a device path
- Creating a volume group from single-path SDD vpath devices
- A side effect of running the disk change method
- Running the **mksysb restore** command
- Manually deleting devices and running the configuration manager (cfgmgr)

The following sections provide more information about the ways that failover protection can be lost.

Losing a device path

Due to hardware errors, SDD might remove one or more nonfunctional paths from an SDD vpath device. The states of these nonfunctional paths are marked as Dead, Invalid, or Close_Dead by SDD. An SDD vpath device will lose failover protection if it has only one functional path left. To determine if any of the SDD vpath devices

have lost failover protection due to nonfunctional paths, use the **datapath query device** command to show the state of paths to an SDD vpath device.

Creating a volume group from single-path SDD vpath devices

A volume group created using any single-path SDD vpath device does not have failover protection because there is no alternate path to the supported storage device LUN.

A side effect of running the disk change method

It is possible to modify attributes for an hdisk device by running the **chdev** command. The **chdev** command invokes the hdisk configuration method to make the requested change. In addition, the hdisk configuration method sets the pvid attribute for an hdisk if it determines that the hdisk has a pvid written on sector 0 of the LUN. This causes the SDD vpath device and one or more of its hdisks to have the same pvid attribute in the ODM. If the volume group containing the SDD vpath device is activated, the LVM uses the first device it finds in the ODM with the required pvid to activate the volume group.

As an example, if you issue the **lsvpcfg** command, the following output is displayed:

```
vpath0 (Avail pv vpathvg) 018FA067 = hdisk1 (Avail )
vpath1 (Avail ) 019FA067 = hdisk2 (Avail )
vpath2 (Avail ) 01AFA067 = hdisk3 (Avail )
vpath3 (Avail ) 01BFA067 = hdisk4 (Avail ) hdisk27 (Avail )
vpath4 (Avail ) 01CFA067 = hdisk5 (Avail ) hdisk28 (Avail )
vpath5 (Avail ) 01DFA067 = hdisk6 (Avail ) hdisk29 (Avail )
vpath6 (Avail ) 01EFA067 = hdisk7 (Avail ) hdisk30 (Avail )
vpath7 (Avail ) 01FFA067 = hdisk8 (Avail ) hdisk31 (Avail )
vpath8 (Avail ) 020FA067 = hdisk9 (Avail ) hdisk32 (Avail )
vpath9 (Avail pv vpathvg) 02BFA067 = hdisk20 (Avail ) hdisk44 (Avail )
vpath10 (Avail pv vpathvg) 02CFA067 = hdisk21 (Avail ) hdisk45 (Avail )
vpath11 (Avail pv vpathvg) 02DFA067 = hdisk22 (Avail ) hdisk46 (Avail )
vpath12 (Avail pv vpathvg) 02EFA067 = hdisk23 (Avail ) hdisk47 (Avail )
vpath13 (Avail pv vpathvg) 02FFA067 = hdisk24 (Avail ) hdisk48 (Avail )
```

The following example of a **chdev** command could also set the pvid attribute for an hdisk:

```
chdev -l hdisk46 -a pv=yes
```

For this example, the output of the **lsvpcfg** command would look similar to this:

```
vpath0 (Avail pv vpathvg) 018FA067 = hdisk1 (Avail )
vpath1 (Avail ) 019FA067 = hdisk2 (Avail )
vpath2 (Avail ) 01AFA067 = hdisk3 (Avail )
vpath3 (Avail ) 01BFA067 = hdisk4 (Avail ) hdisk27 (Avail )
vpath4 (Avail ) 01CFA067 = hdisk5 (Avail ) hdisk28 (Avail )
vpath5 (Avail ) 01DFA067 = hdisk6 (Avail ) hdisk29 (Avail )
vpath6 (Avail ) 01EFA067 = hdisk7 (Avail ) hdisk30 (Avail )
vpath7 (Avail ) 01FFA067 = hdisk8 (Avail ) hdisk31 (Avail )
vpath8 (Avail ) 020FA067 = hdisk9 (Avail ) hdisk32 (Avail )
vpath9 (Avail pv vpathvg) 02BFA067 = hdisk20 (Avail ) hdisk44 (Avail )
vpath10 (Avail pv vpathvg) 02CFA067 = hdisk21 (Avail ) hdisk45 (Avail )
vpath11 (Avail pv vpathvg) 02DFA067 = hdisk22 (Avail ) hdisk46 (Avail pv vpathvg)
vpath12 (Avail pv vpathvg) 02EFA067 = hdisk23 (Avail ) hdisk47 (Avail )
vpath13 (Avail pv vpathvg) 02FFA067 = hdisk24 (Avail ) hdisk48 (Avail )
```

The output of the **lsvpcfg** command shows that vpath11 contains hdisk22 and hdisk46. However, hdisk46 is the one with the pv attribute set. If you run the **lsvg -p vpathvg** command again, the output would look similar to this:

vpathvg:				
PV_NAME	PV STATE	TOTAL PPs	FREE PPs	FREE DISTRIBUTION
vpath10	active	29	4	00..00..00..00..04
hdisk46	active	29	4	00..00..00..00..04
vpath12	active	29	4	00..00..00..00..04
vpath13	active	29	28	06..05..05..06..06

Notice that now device vpath11 has been replaced by hdisk46. That is because hdisk46 is one of the hdisk devices included in vpath11 and it has a pvid attribute in the ODM. In this example, the LVM used hdisk46 instead of vpath11 when it activated volume group vpathvg. The volume group is now in a mixed mode of operation because it partially uses SDD vpath devices and partially uses hdisk devices. This is a problem that must be fixed because failover protection is effectively disabled for the vpath11 physical volume of the vpathvg volume group.

Note: The way to fix this problem with the mixed volume group is to run the **dpovgfix vg-name** command after running the **chdev** command.

Manually deleting devices and running the configuration manager (cfgmgr)

Assume that vpath3 is made up of hdisk4 and hdisk27 and that vpath3 is currently a physical volume. If the vpath3, hdisk4, and hdisk27 devices are all deleted by using the **rmdev** command and then **cfgmgr** is invoked at the command line, it is possible that only one path of the original vpath3 is configured by AIX. The following commands might produce this situation:

```
rmdev -d1 vpath3
rmdev -d1 hdisk4
rmdev -d1 hdisk27
cfgmgr
```

The **datapath query device** command displays the vpath3 configuration state.

Next, all paths to the vpath must be restored. You can restore the paths in one of the following ways:

- Enter **cfgmgr** once for each installed SCSI or fibre-channel adapter.
- Enter **cfgmgr n** times, where *n* represents the number of paths per SDD device.

Tip: Running the AIX configuration manager (**cfgmgr**) *n* times for *n*-path configurations of supported storage devices is not always required. It depends on whether the supported storage device has been used as a physical volume of a volume group or not. If it has, it is necessary to run **cfgmgr n** times for an *n*-path configuration. Because the supported storage device has been used as a physical volume of a volume group before, it has a pvid value written on its sector 0.

When the first SCSI or fibre-channel adapter is configured by **cfgmgr**, the AIX disk driver configuration method creates a pvid attribute in the AIX ODM database with the pvid value it read from the device. It then creates a logical name (hdisk*N*), and puts the hdisk*N* in the *Defined* state. When the second adapter is configured, the AIX disk driver configuration method reads the pvid from the same device again and searches the ODM database to see if there is already a device with the same pvid in the ODM. If there is a match, and that hdisk*N* is in a *Defined* state, the AIX disk driver configuration method does not create another hdisk logical name for the same device. That is why only one set of hdisks gets configured the first time **cfgmgr** runs. When **cfgmgr** runs for the second time, the first set of hdisks are in the *Available* state, so a new set of

hdisk is *Defined* and configured to the *Available* state. That is why you must run **cfgmgr** *n* times to get *n* paths configured. If the supported storage device has never belonged to a volume group, that means there is no pvid written on its sector 0. In that case, you need to run the **cfgmgr** command only once to get all multiple paths configured.

Note: The **addpaths** command allows you to dynamically add more paths to SDD vpath devices while they are in *Available* state. The **cfgmgr** command might need to be run *N* times when adding new LUNs.

In addition, this command allows you to add paths to SDD vpath devices (which are then opened) belonging to active volume groups.

This command will open a new path (or multiple paths) automatically if the SDD vpath device is in the *Open* state, and the original number of paths of the vpath is more than one. You can either use the Add Paths to Available Data Path Devices SMIT panel or run the **addpaths** command from the AIX command line. Go to “Dynamically adding paths to SDD vpath devices” on page 40 for more information about the **addpaths** command.

The following command shows an example of how to unconfigure an SDD device to the *Defined* state using the command-line interface:

```
rmdev -l vpathN
```

The following command shows an example of how to unconfigure *all* SDD devices to the *Defined* state using the command-line interface:

```
rmdev -l dpo -R
```

The following command shows an example of how to configure an SDD vpath device to the *Available* state using the command-line interface:

```
mkdev -l vpathN
```

The following command shows an example of how to configure all SDD vpath devices to the *Available* state using the command-line interface: state using the SMIT:

```
smitty device
```

The following command shows an example of how to configure all SDD vpath devices to the *Available* state using the command-line interface:

```
cfa11vpath
```

Using LVM with SDD

Importing volume groups with SDD

You can import a new volume group definition from a set of physical volumes with SDD vpath devices using the Volume Groups SMIT panel.

Note: To use this feature, you must either have root user authority or be a member of the system group.

Perform the following steps to import a volume group with SDD devices:

1. Enter **smitty** from your desktop window. SMIT is displayed.
2. Select **System Storage Management (Physical & Logical Storage)** and press **Enter**. The System Storage Management (Physical & Logical Storage) panel is displayed.

3. Select **Logical Volume Manager** and press **Enter**. The Logical Volume Manager panel is displayed.
4. Select **Volume Groups** and press **Enter**. The Volume Groups panel is displayed.
5. Select **Import a Volume Group** and press **Enter**. The Import a Volume Group panel is displayed.
6. In the Import a Volume Group panel, perform the following tasks:
 - a. Enter the volume group that you want to import.
 - b. Enter the physical volume that you want to import.
 - c. Press **Enter** after making the changes.

You can press **F4** for a list of choices.

Exporting a volume group with SDD

You can export a volume group definition from the system with SDD vpath devices using the Volume Groups SMIT panel.

The **exportvg** command removes the definition of the volume group specified by the Volume Group parameter from the system. Because all system knowledge of the volume group and its contents are removed, an exported volume group is no longer accessible. The **exportvg** command does not modify any user data in the volume group.

A volume group is an unshared resource within the system; it should not be accessed by another system until it has been explicitly exported from its current system and imported on another. The primary use of the **exportvg** command, coupled with the **importvg** command, is to allow portable volumes to be exchanged between systems. Only a complete volume group can be exported, not individual physical volumes.

Using the **exportvg** command and the **importvg** command, you can also switch ownership of data on physical volumes shared between two systems.

Note: To use this feature, you must either have root user authority or be a member of the system group.

Perform the following steps to export a volume group with SDD devices:

1. Enter **smitty** from your desktop window. SMIT is displayed.
2. Select **System Storage Management (Physical & Logical Storage)** and press **Enter**. The System Storage Management (Physical & Logical Storage) panel is displayed.
3. Select **Logical Volume Manager** and press **Enter**. The Logical Volume Manager panel is displayed.
4. Select **Volume Groups** and press **Enter**. The Volume Groups panel is displayed.
5. Select **Export a Volume Group** and press **Enter**. The Export a Volume Group panel is displayed.
6. Enter the volume group to export and press **Enter**.

You can use the F4 key to select the volume group that you want to export.

Recovering from mixed volume groups

When an SDD volume group is not active (that is, varied off), and certain AIX system administrative operations cause a device reconfiguration, a `pvid` attribute will be created for the supported storage device `hdisks`. This will cause the SDD volume group to become a mixed volume group. The following command is an example of a command that does this:

```
chdev -l hdiskN -a queue_depth=30
```

Run the `dpovgfix` shell script to recover a mixed volume group. The syntax is `dpovgfix vg-name`. The script searches for an SDD `vpath` device corresponding to each `hdisk` in the volume group and replaces the `hdisk` with the SDD `vpath` device. In order for the shell script to be executed, all mounted file systems of this volume group have to be unmounted. After successful completion of the `dpovgfix` shell script, mount the file systems again.

Extending an existing SDD volume group

You can extend a volume group with SDD `vpath` devices using the Logical Volume Groups SMIT panel. The SDD `vpath` devices to be added to the volume group should be chosen from those that can provide failover protection. It is possible to add an SDD `vpath` device to an SDD volume group that has only a single path (`vpath0` on 67) and then add paths later by reconfiguring the supported storage device. With a single path, failover protection is not provided. (See “Dynamically adding paths to SDD `vpath` devices” on page 40 for information about adding paths to an SDD device.)

Perform the following steps to extend a volume group with SDD devices:

1. Enter **smitty** from your desktop window. SMIT is displayed.
2. Select **System Storage Management (Physical & Logical Storage)** and press **Enter**. The System Storage Management (Physical & Logical Storage) panel is displayed.
3. Select **Logical Volume Manager** and press **Enter**. The Logical Volume Manager panel is displayed.
4. Select **Volume Group** and press **Enter**. The Volume Groups panel is displayed.
5. Select **Add a Data Path Volume to a Volume Group** and press **Enter**.
6. Enter the volume group name and physical volume name and press **Enter**. You can also use the F4 key to list all the available SDD devices, and you can select the devices that you want to add to the volume group.

If you use a script file to extend an existing SDD volume group, you must modify your script file and replace the `extendvg` command with the `extendvg4vp` command.

Backing up all files belonging to an SDD volume group

You can back up all files belonging to a specified volume group with SDD `vpath` devices using the Volume Groups SMIT panel.

To back up a volume group with SDD devices, go to “Accessing the Backup a Volume Group with Data Path Devices SMIT panel” on page 79.

If you use a script file to back up all files belonging to a specified SDD volume group, you must modify your script file and replace the `savevg` command with the `savevg4vp` command.

Attention: Backing up files (running the **savevg4vp** command) will result in the loss of all material previously stored on the selected output medium. Data integrity of the archive might be compromised if a file is modified during system backup. Keep system activity at a minimum during the system backup procedure.

Restoring all files belonging to an SDD volume group

You can restore all files belonging to a specified volume group with SDD vpath devices using the Volume Groups SMIT panel.

To restore a volume group with SDD vpath devices, go to “Accessing the Remake a Volume Group with Data Path Devices SMIT panel” on page 80.

If you use a script file to restore all files belonging to a specified SDD volume group, you must modify your script file and replace the **restvg** command with the **restvg4vp** command.

SDD-specific SMIT panels

SDD supports several special SMIT panels. Some SMIT panels provide SDD-specific functions, while other SMIT panels provide AIX functions (but require SDD-specific commands). For example, the Add a Volume Group with Data Path Devices function uses the SDD **mkvg4vp** command, instead of the AIX **mkvg** command. Table 17 lists the SDD-specific SMIT panels and how you can use them.

Table 17. SDD-specific SMIT panels and how to proceed

SMIT panels	How to proceed using SMITTY – Go to:	Equivalent SDD command
Display Data Path Device Configuration	“Accessing the Display Data Path Device Configuration SMIT panel” on page 76	lsvpcfg
Display Data Path Device Status	“Accessing the Display Data Path Device Status SMIT panel” on page 77	datapath query device
Display Data Path Device Adapter Status	“Accessing the Display Data Path Device Adapter Status SMIT panel” on page 77	datapath query adapter
Define and Configure all Data Path Devices	“Accessing the Define and Configure All Data Path Devices SMIT panel” on page 77	cfallvpath
Add Paths to Available Data Path Devices	“Accessing the Add Paths to Available Data Path Devices SMIT panel” on page 78	addpaths
Configure a Defined Data Path Device	“Accessing the Configure a Defined Data Path Device SMIT panel” on page 78	mkdev
Remove a Data Path Device	“Accessing the Remove a Data Path Device SMIT panel” on page 78	rmdev
Add a Volume Group with Data Path Devices	“Accessing the Add a Volume Group with Data Path Devices SMIT panel” on page 78	mkvg4vp

Table 17. SDD-specific SMIT panels and how to proceed (continued)

Add a Data Path Volume to a Volume Group	“Accessing the Add a Data Path Volume to a Volume Group SMIT panel” on page 78	extendvg4vp
Remove a Physical Volume from a Volume Group	“Accessing the Remove a Physical Volume from a Volume Group SMIT panel” on page 79	exportvg <i>volume_group</i>
Back Up a Volume Group with Data Path Devices	“Accessing the Backup a Volume Group with Data Path Devices SMIT panel” on page 79	savevg4vp
Remake a Volume Group with Data Path Devices	“Accessing the Remake a Volume Group with Data Path Devices SMIT panel” on page 80	restvg

Accessing the Display Data Path Device Configuration SMIT panel

Perform the following steps to access the Display Data Path Device Configuration panel:

1. Enter **smitty** from your desktop window. SMIT is displayed.
2. Select **Devices** and press **Enter**. The Devices panel is displayed.
3. Select **Data Path Devices** and press **Enter**. The Data Path Devices panel is displayed.
4. Select **Display Data Path Device Configuration** and press **Enter**
5. The following example shows the Data Path Devices panel:

```

+-----+
|                                     |
|               Display Data Path Device Configuration               |
|                                     |
| Type or select values in entry fields.                             |
| Press Enter AFTER making all desired changes.                     |
|                                     |
| Select Query Option [Entry Fields]                                 |
| Device Name/ Device Model      all devices      +                 |
|                                     [ ]                 |
|                                     |
+-----+

```

The Select Query Option has three options:

All devices

This option executes **lsvpcfg** and all the data path devices are displayed. No entry is required in the Device Name/Device Model field.

Device name

This option executes **lsvpcfg <device name>** and only the specified device is displayed. Enter a device name in the Device Name/Device Model field.

Device model

This option executes **lsvpcfg -d <device model>** and only devices with the specified device model are displayed. Enter a device model in the Device Name/Device Model field.

See “lsvpcfg” on page 81 for detailed information about the **lsvpcfg** command.

Accessing the Display Data Path Device Status SMIT panel

Perform the following steps to access the Display Data Path Device Status panel:

1. Enter **smitty** from your desktop window. SMIT is displayed.
2. Select **Devices** and press **Enter**. The Devices panel is displayed.
3. Select **Data Path Devices** and press **Enter**. The Data Path Devices panel is displayed.
4. Select **Display Data Path Device Status** and press **Enter**.
5. The following example shows the Data Path Devices Status panel:

```
+-----+
|                                     |
|               Display Data Path Device Status               |
| Type or select values in entry fields.                       |
| Press Enter AFTER making all desired changes.                |
|                                                                |
| Select Query Option          [Entry Fields]                  |
| Device Number/ Device Model  all devices                    +  |
|                               [ ]                             |
|                                                                |
+-----+
```

The Select Query Option has 3 options:

All devices

This option executes **datapath query device** and all the data path devices are displayed. No entry is required in the Device Name/Device Model field.

Device number

This option executes **datapath query device <device number>** and only the specified device is displayed. Enter a device number in the Device Name/Device Model field.

Device model

This option executes **datapath query device -d <device model>** and only devices with the specified device model are displayed. Enter a device model in the Device Name/Device Model field.

See “datapath query device” on page 381 for detailed information about the **datapath query device** command.

Accessing the Display Data Path Device Adapter Status SMIT panel

Perform the following steps to access the Display Data Path Device Adapter Status panel:

1. Enter **smitty** from your desktop window. SMIT is displayed.
2. Select **Devices** and press **Enter**. The Devices panel is displayed.
3. Select **Data Path Devices** and press **Enter**. The Data Path Devices panel is displayed.
4. Select **Display Data Path Device Adapter Status** and press **Enter**.

Accessing the Define and Configure All Data Path Devices SMIT panel

To access the Define and Configure All Data Path Devices panel, perform the following steps:

1. Enter **smitty** from your desktop window. SMIT is displayed.
2. Select **Devices** and press **Enter**. The Devices panel is displayed.

3. Select **Data Path Devices** and press **Enter**. The Data Path Devices panel is displayed.
4. Select **Define and Configure All Data Path Devices** and press **Enter**.

Accessing the Add Paths to Available Data Path Devices SMIT panel

Perform the following steps to access the Add Paths to Available Data Path Devices panel:

1. Enter **smitty** from your desktop window. SMIT is displayed.
2. Select **Devices** and press **Enter**. The Devices panel is displayed.
3. Select **Data Path Devices** and press **Enter**. The Data Path Devices panel is displayed.
4. Select **Add Paths to Available Data Path Devices** and press **Enter**.

Accessing the Configure a Defined Data Path Device SMIT panel

Perform the following steps to access the Configure a Defined Data Path Device panel:

1. Enter **smitty** from your desktop window. SMIT is displayed.
2. Select **Devices** and press **Enter**. The Devices panel is displayed.
3. Select **Data Path Devices** and press **Enter**. The Data Path Devices panel is displayed.
4. Select **Configure a Defined Data Path Device** and press **Enter**.

Accessing the Remove a Data Path Device SMIT panel

Perform the following steps to access the Remove a Data Path Device panel:

1. Enter **smitty** from your desktop window. SMIT is displayed.
2. Select **Devices** and press **Enter**. The Devices panel is displayed.
3. Select **Data Path Devices** and press **Enter**. The Data Path Devices panel is displayed.
4. Select **Remove a Data Path Device** and press **Enter**.

Accessing the Add a Volume Group with Data Path Devices SMIT panel

Perform the following steps to access the Add a volume group with data path devices panel:

1. Enter **smitty** from your desktop window. SMIT is displayed.
2. Select **System Storage Management (Physical & Logical Storage)** and press **Enter**. The System Storage Management (Physical & Logical Storage) panel is displayed.
3. Select **Logical Volume Manager** and press **Enter**. The Logical Volume Manager panel is displayed.
4. Select **Volume Groups** and press **Enter**. The Volume Groups panel is displayed.
5. Select **Add Volume Group with Data Path Devices** and press **Enter**.

Note: Press **F4** while highlighting the **PHYSICAL VOLUME names** field to list all the available SDD vpaths.

Accessing the Add a Data Path Volume to a Volume Group SMIT panel

Perform the following steps to access the Add a Data Path Volume to a Volume Group panel:

1. Enter **smitty** from your desktop window. SMIT is displayed.
2. Select **System Storage Management (Physical & Logical)** and press **Enter**. The System Storage Management (Physical & Logical) panel is displayed.
3. Select **Logical Volume Manager** and press **Enter**. The Logical Volume Manager panel is displayed.
4. Select **Volume Group** and press **Enter**. The Volume Group panel is displayed.
5. Select **Add a Data Path Volume to a Volume Group** and press **Enter**.
6. Enter the volume group name and physical volume name and press **Enter**. Alternately, you can use the F4 key to list all the available SDD vpath devices and use the F7 key to select the physical volumes that you want to add.

Accessing the Remove a Physical Volume from a Volume Group SMIT panel

Perform the following steps to access the Remove a Physical Volume from a Volume Group panel:

1. Enter **smitty** from your desktop window. SMIT is displayed.
2. Select **Logical Volume Manager** and press **Enter**. The Logical Volume Manager panel is displayed.
3. Select **Volume Groups** and press **Enter**. The Volume Groups panel is displayed.
4. Select **Set Characteristics of a Volume Group** and press **Enter**. The Set Characteristics of a Volume Group panel is displayed.
5. Select **Remove a Physical Volume from a Volume Group** and press **Enter**. The Remove a Physical Volume from a Volume Group panel is displayed.

Accessing the Backup a Volume Group with Data Path Devices SMIT panel

Perform the following steps to access the Back Up a Volume Group with Data Path Devices panel and to backup a volume group with SDD devices:

1. Enter **smitty** from your desktop window. SMIT is displayed.
2. Select **System Storage Management (Physical & Logical Storage)** and press **Enter**. The System Storage Management (Physical & Logical Storage) panel is displayed.
3. Select **Logical Volume Manager** and press **Enter**. The Logical Volume Manager panel is displayed.
4. Select **Volume Groups** and press **Enter**. The Volume Groups panel is displayed.
5. Select **Back Up a Volume Group with Data Path Devices** and press **Enter**. The Back Up a Volume Group with Data Path Devices panel is displayed.
6. In the Back Up a Volume Group with Data Path Devices panel, perform the following steps:
 - a. Enter the Backup DEVICE or FILE name.
 - b. Enter the Volume Group to backup.
 - c. Press **Enter** after making all required changes.

Tip: You can also use the F4 key to list all the available SDD devices, and you can select the devices or files that you want to backup.

Attention: Backing up files (running the **savevg4vp** command) will result in the loss of all material previously stored on the selected output medium. Data integrity of the archive might be compromised if a file is modified during system backup. Keep system activity at a minimum during the system backup procedure.

Accessing the Remake a Volume Group with Data Path Devices SMIT panel

Perform the following steps to access the Remake a Volume Group with Data Path Devices panel and restore a volume group with SDD devices:

1. Enter **smitty** from your desktop window. SMIT is displayed.
2. Select **System Storage Management (Physical & Logical Storage)** and press **Enter**. The System Storage Management (Physical & Logical Storage) panel is displayed.
3. Select **Logical Volume Manager** and press **Enter**. The Logical Volume Manager panel is displayed.
4. Select **Volume Groups** and press **Enter**. The Volume Groups panel is displayed.
5. Select **Remake a Volume Group with Data Path Devices** and press **Enter**. The Remake a Volume Group with Data Path Devices panel is displayed.
6. Enter the Restore DEVICE or FILE name that you want to restore, and press **Enter**. You can also press **F4** to list all the available SDD devices, and you can select the devices or files that you want to restore.

SDD utility programs

The following SDD utility programs are available:

addpaths

You can use the **addpaths** command to dynamically add more paths to SDD devices when they are in the *Available* state. In addition, this command allows you to add paths to SDD vpath devices (which are then opened) belonging to active volume groups.

This command will open a new path (or multiple paths) automatically if the SDD vpath device is in *Open* state. You can either use the Add Paths to Available Data Path Devices SMIT panel or run the **addpaths** command from the AIX command line.

The syntax for this command is:

►►—addpaths—◄◄

For more information about this command, go to “Dynamically adding paths to SDD vpath devices” on page 40.

hd2vp and vp2hd

SDD provides two conversion scripts, **hd2vp** and **vp2hd**. The **hd2vp** script converts a volume group from supported storage device hdisks to SDD vpath devices, and the **vp2hd** script converts a volume group from SDD vpath devices to supported

lsvpcfg vpath/0 vpath/1 vpath/2

You will see output similar to this:

```
vpath10 (Avail pv ) 13916392 = hdisk95 (Avail ) hdisk179 (Avail )
vpath20 (Avail ) 02816392 = hdisk23 (Avail ) hdisk106 (Avail )
vpath30 (Avail ) 10516392 = hdisk33 (Avail ) hdisk116 (Avail )
```

See “Verifying the SDD configuration” on page 39 for an explanation of the output.

3. The command can also be issued using the device model as a parameter. The option to specify a device model cannot be used when you specify an SDD vpath device. The syntax for this command is:

lsvpcfg device model

The following are examples of valid device models:

2105 Display all 2105 models (ESS).

2105F Display all 2105 F models (ESS).

2105800

Display all 2105 800 models (ESS).

2145 Display all 2145 models (SAN Volume Controller).

2107 Display all DS8000 models.

1750 Display all DS6000 models.

mkvg4vp

You can use the **mkvg4vp** command to create an SDD volume group. For more information about this command, go to “Configuring volume groups for failover protection” on page 67. For information about the flags and parameters for this command, go to:

http://publib16.boulder.ibm.com/doc_link/en_US/a_doc_lib/cmds/aixcmds3/mkvg.htm.

The syntax for this command is:

```
▶▶ mkvg4vp [ -d MaxPVs ] [ -B ] [ -G ] [ -f ] [ -q * ]
▶ [ -C | -c [-x] ] [ -i ] [ -s PPSize ] [ -n ]
▶ [ -m MaxPVsize | -t factor ] [ -V MajorNumber ] [ -L LTGsize** ]
▶ [ -y VGname ] PVname
```

* for AIX 5.2 and later only

** for AIX 5.1 and later only

extendvg4vp

You can use the **extendvg4vp** command to extend an existing SDD volume group. For more information about this command, go to “Extending an existing SDD volume group” on page 74. For information about the flag and parameters for this command, go to:

http://publib16.boulder.ibm.com/doc_link/en_US/a_doc_lib/cmds/aixcmds2/extendvg.htm

The syntax for this command is:

```
▶▶ extendvg4vp -f VGname PVname ▶▶
```

querysn

You can use the **querysn** command to get the serial number for the logical device (hdisk) and save it into an exclude file (/etc/vpexclude). During the SDD configuration, the SDD configure methods read all serial numbers listed in this file and exclude these devices from the SDD configuration.

The syntax for this command is:

```
▶▶ querysn -d -l device-name ▶▶
```

- l Specifies the logical number of the supported storage device (hdiskN). This is not the SDD device name.
- d When this optional flag is set, the **querysn** command deletes all existing contents from this exclude file and then writes the new serial number into the file; otherwise, it appends the new serial number at the end of the file.

device name

Specifies the supported storage device (hdiskN).

Example:

```
querysn -l hdisk10
```

Notes:

1. Do not use the **querysn** command to exclude a device if you want the device to be configured by SDD.
2. If the supported storage device LUN has multiple configurations on a server, use the **querysn** command on only one of the logical names of that LUN.
3. You should not use the **querysn** command on the same logical device multiple times. Using the **querysn** command on the same logical device multiple times results in duplicate entries in the /etc/vpexclude file, and the system administrator will have to administer the file and its content.
4. Executing the **querysn** command with the -d flag deletes all existing contents from the exclude file and then writes the new serial number into the file. If you want to remove only one device from the /etc/vpexclude file, you must edit the /etc/vpexclude with the vi editor and delete the line containing the device name. To replace a manually excluded device in the SDD configuration, you have to open the /etc/vpexclude file with a text editor (for example, vi) and delete the

line containing the device name. For detailed instructions on the proper procedure, see “Replacing manually excluded devices in the SDD configuration” on page 46.

lquerypr

See “Persistent reserve command tool.”

sddgetdata

See Appendix A, “SDD and SDDPCM data collection for problem analysis,” on page 399.

Persistent reserve command tool

SDD offers the **lquerypr** tool to provide a set of persistent reserve functions. This tool supports the following persistent reserve service actions:

- Read persistent reservation key
- Release persistent reserve
- Preempt-abort persistent reserve
- Clear persistent reserve and registrations

Notes:

1. Caution must be taken with the command, especially when implementing preempt-abort or clear persistent reserve service action. With preempt-abort service action not only the current persistent reserve key is preempted; it also aborts tasks on the LUN that originated from the initiators that are registered with the preempted key. With clear service action, both persistent reservation and reservation key registrations are cleared from the device or LUN.
2. If you are running in a SAN File System environment, there might be special restrictions and considerations regarding use of SCSI Persistent Reserve or SCSI Reserve. Please consult the SAN File System documentation shown in “The SAN File System library” on page xxvi for more information.

The following information describes in detail the syntax and examples of the **lquerypr** command.

lquerypr command

Purpose

To query and implement certain SCSI-3 persistent reserve commands on a device.

Syntax

```
►► lquerypr [ -p ] [ -v ] [ -V ] [ -h/dev/PVname ]
```

The diagram shows the command structure with options in brackets. The options are: `-p`, `-c`, `-r`, `-v`, `-V`, and `-h/dev/PVname`. The options `-p`, `-c`, and `-r` are grouped together in a vertical list on the left. The options `-v`, `-V`, and `-h/dev/PVname` are shown in individual brackets to the right.

Description

The **lquerypr** command implements certain SCSI-3 persistent reservation commands on a device. The device can be either hdisk or SDD vpath devices. This command supports persistent reserve service actions or read reservation key, release persistent reservation, preempt-abort persistent reservation, and clear persistent reservation.

Note: This command can only be used when the device is not already opened.

Flags

- p** If the persistent reservation key on the device is different from the current host reservation key, it preempts the persistent reservation key on the device.
- c** If there is a persistent reservation key on the device, it removes any persistent reservation and clears all reservation key registration on the device.
- r** Removes the persistent reservation key on the device made by this host.
- v** Displays the persistent reservation key if it exists on the device.
- V** Verbose mode. Prints detailed message.

Return code

If the command issued without options of **-p**, **-r**, or **-c**, the command will return 0 under two circumstances.

1. There is no persistent reservation key on the device.
2. The device is reserved by the current host.

If the persistent reservation key is different from the host reservation key, then the command will return 1. If the command fails, it returns 2. If the device is already opened on a current host, the command returns 3.

Example

1. To query the persistent reservation on a device, enter **lquerypr -h/dev/vpath30**.
This command queries the persistent reservation on the device without displaying. If there is a persistent reserve on a disk, it returns 0 if the device is reserved by the current host. It returns 1 if the device is reserved by another host.
2. To query and display the persistent reservation on a device, enter **lquerypr -vh/dev/vpath30**.
Same as Example 1. In addition, it displays the persistent reservation key.
3. To release the persistent reservation if the device is reserved by the current host, enter **lquerypr -rh/dev/vpath30**.
This command releases the persistent reserve if the device is reserved by the current host. It returns 0 if the command succeeds or the device is not reserved. It returns 2 if the command fails.
4. To reset any persistent reserve and clear all reservation key registrations, enter **lquerypr -ch/dev/vpath30**.
This command resets any persistent reserve and clears all reservation key registrations on a device. It returns 0 if the command succeeds, or 2 if the command fails.
5. To remove the persistent reservation if the device is reserved by another host, enter **lquerypr -ph/dev/vpath30**.
This command removes an existing registration and persistent reserve from another host. It returns 0 if the command succeeds or if the device is not persistent reserved. It returns 2 if the command fails.

Using supported storage devices directly

When you configure your host adapters, the AIX disk driver creates hdisks for the supported storage device LUNs. When you configure SDD, it creates SDD vpath devices for supported storage device LUNs. Therefore, with SDD installed on a system, an application now has two ways to access the supported storage devices.

To use the SDD load-balancing and failover features to access supported storage devices, your application must use SDD vpath devices only rather than hdisks.

Applications can access SDD vpath devices either by using raw devices or logical devices. If the application is accessing SDD vpath devices using logical devices, a volume group must be created with SDD vpath devices.

If your application used hdisk special files directly before installing SDD, convert the application to use SDD vpath device special files. After installing SDD, perform the following steps:

1. Enter **smitty** from your desktop window. SMIT is displayed.
2. Select **Devices** and press **Enter**. The Devices panel is displayed.
3. Select **Data Path Devices** and press **Enter**. The Data Path Devices panel is displayed.
4. Select **Display Data Path Device Configuration** and press **Enter**.
5. To display all SDD vpath devices with their attached multiple paths (hdisks), select all SDD vpath devices for **Select Query Option**, leave Device Name/Device Model blank, and press **Enter**.
6. Search the list of hdisks to locate the hdisks that your application is using.
7. Replace each hdisk with its corresponding SDD vpath device.

Note: Depending upon your application, the manner in which you replace these files is different. If this is a new application, use the SDD vpath device rather than hdisk to use the SDD load-balancing and failover features.

Note: Alternately, you can enter **lsvpcfg** from the command-line interface rather than using SMIT. This displays all configured SDD vpath devices and their underlying paths (hdisks).

Using supported storage devices through AIX LVM

If your application accesses supported storage devices through LVM, determine that the physical volumes of the volume group that the application is accessing are SDD-supported storage devices. Then perform the following steps to convert the volume group from the original supported storage device hdisks to the SDD vpath devices:

1. Determine the file systems or logical volumes that your application accesses.
2. Enter **smitty** from your desktop window. SMIT is displayed.
3. Select **System Storage Management (Physical & Logical Storage)** and press **Enter**. The System Storage Management (Physical & Logical Storage) panel is displayed.
4. Select **Logical Volume Manager** and press **Enter**. The Logical Volume Manager panel is displayed.
5. Select **Logical Volume** and press **Enter**. The Logical Volume panel is displayed.

6. Select **List All Logical Volumes by Volume Group** to determine the logical volumes that belong to this volume group and their logical volume mount points.
7. Press **Enter**. The logical volumes are listed by volume group.
To determine the file systems, perform the following steps:
 - a. Enter **smitty** from your desktop window. SMIT is displayed.
 - b. Select **Logical Volume Manager** and press **Enter**. The Logical Volume Manager panel is displayed.
 - c. Select **File Systems** and press **Enter**. The File Systems panel is displayed.
 - d. Select **List All File Systems** to locate all file systems that have the same mount points as the logical volumes and press **Enter**. The file systems are listed.
 - e. Note the file system name of that volume group and the file system mount point, if it is mounted.
 - f. Unmount these file systems.
8. Enter the following command to convert the volume group from the supported storage device hdisks to SDD multipath vpath devices:


```
hd2vp vgroupname
```
9. When the conversion is complete, mount all file systems that you previously unmounted.

When the conversion is complete, your application now accesses supported storage device physical LUNs through SDD vpath devices. This provides load-balancing and failover protection for your application.

Migrating a non-SDD volume group to a supported storage device SDD multipath volume group in concurrent mode

Before you migrate your non-SDD volume group to an SDD volume group, make sure that you have completed the following tasks:

- The SDD for the AIX host system is installed and configured. See “Verifying the currently installed version of SDD for SDD 1.3.3.11 (or earlier)” on page 30 or “Verifying the currently installed version of SDD for SDD 1.4.0.0 (or later)” on page 31.
- The supported storage devices to which you want to migrate have multiple paths configured per LUN. To check the state of your SDD configuration, use the System Management Interface Tool (SMIT) or issue the **lsvpcfg** command from the command line. To use SMIT:
 - Enter **smitty** and press **Enter** from your desktop window. The System Management Interface Tool panel is displayed.
 - Select **Devices** and press **Enter**. The Devices panel is displayed.
 - Select **Data Path Device** and press **Enter**. The Data Path Device panel is displayed.
 - Select **Display Data Path Device Configuration** and press **Enter**. A list of the SDD vpath devices and whether there are multiple paths configured for the devices is displayed.
- Ensure that the SDD vpath devices that you are going to migrate to do not belong to any other volume group, and that the corresponding physical device (supported storage device LUN) does not have a pvid written on it. Enter the **lsvpcfg** command output to check the SDD vpath devices that you are going to use for migration. Make sure that there is no pv displayed for this SDD vpath device and its paths (hdisks). If a LUN has never belonged to any volume group,

there is no pvid written on it. In case there is a pvid written on the LUN and the LUN does not belong to any volume group, you need to clear the pvid from the LUN before using it to migrate a volume group. The commands to clear the pvid are:

```
chdev -l hdiskW -a pv=clear
chdev -l vpathW -a pv=clear
```

Attention: Exercise care when clearing a pvid from a device with this command. Issuing this command to a device that *does* belong to an existing volume group can cause system failures.

You should complete the following steps to migrate a non-SDD volume group to a multipath SDD volume group in concurrent mode:

1. Add new SDD vpath devices to an existing non-SDD volume group:
 - a. Enter **smitty** and press **Enter** from your desktop window. The System Management Interface Tool panel is displayed.
 - b. Select **System Storage Management (Physical & Logical)** and press **Enter**. The System Storage Management (Physical & Logical) panel is displayed.
 - c. Select **Logical Volume Manager** and press **Enter**. The Logical Volume Manager panel is displayed.
 - d. Select **Volume Group** and press **Enter**. The Volume Group panel is displayed.
 - e. Select **Add a Data Path Volume to a Volume Group** and press **Enter**.
 - f. Enter the volume group name and physical volume name and press **Enter**. Alternately, you can use the F4 key to list all the available SDD vpath devices and use the F7 key to select the physical volumes that you want to add.
2. Enter the **smitty mklvcopy** command to mirror logical volumes from the original volume to an SDD supported storage device volume. Use the new SDD vpath devices for copying all logical volumes. Do not forget to include JFS log volumes.

Note: The command **smitty mklvcopy** copies one logical volume at a time. A fast-path command to mirror *all* the logical volumes on a volume group is **mirrorvg**.

3. Synchronize logical volumes (LVs) or force synchronization. Enter the **smitty syncvg** command to synchronize all the volumes:

There are two options on the smitty panel:

- Synchronize by Logical Volume
- Synchronize by Physical Volume

The fast way to synchronize logical volumes is to select the **Synchronize by Physical Volume** option.

4. Remove the mirror and delete the original LVs. Enter the **smitty rmlvcopy** command to remove the original copy of the logical volumes from all original non-SDD physical volumes.
5. Enter the **smitty reducevg** command to remove the original non-SDD vpath devices from the volume group. The Remove a Physical Volume panel is displayed. Remove all non-SDD devices.

Note: A non-SDD volume group refers to a volume group that consists of non-supported storage devices or supported storage hdisk devices.

Detailed instructions for migrating a non-SDD volume group to a supported storage device SDD multipath volume group in concurrent mode

This procedure shows how to migrate an existing AIX volume group to use SDD vpath devices that have multipath capability. You do not take the volume group out of service. The example shown starts with a volume group, `vg1`, made up of one supported storage device, `hdisk13`.

To perform the migration, you must have SDD vpath devices available that are greater than or equal to the size of each of the `hdisks` making up the volume group. In this example, there is an SDD device, `vpath12`, with two paths, `hdisk14` and `hdisk30`, to which we will migrate the volume group.

1. Add the SDD vpath device to the volume group as an Available volume:
 - a. Enter **smitty** and press **Enter** from your desktop window. The System Management Interface Tool panel is displayed.
 - b. Select **System Storage Management (Physical & Logical)** and press **Enter**. The System Storage Management (Physical & Logical) panel is displayed.
 - c. Select **Logical Volume Manager** and press **Enter**. The Logical Volume Manager panel is displayed.
 - d. Select **Volume Group** and press **Enter**. The Volume Group panel is displayed.
 - e. Select **Add a Data Path Volume to a Volume Group** and press **Enter**.
 - f. Enter **vg1** in the **Volume Group Name** field and enter **vpath12** in the **Physical Volume Name** field. Press **Enter**.
You can also use the **extendvg4vp -f vg1 vpath12** command.
2. Mirror logical volumes from the original volume to the new SDD vpath device volume:
 - a. Enter **smitty** and press **Enter** from your desktop window. The System Management Interface Tool panel is displayed.
 - b. Select **System Storage Management (Physical & Logical)** and press **Enter**. The System Storage Management (Physical & Logical) panel is displayed.
 - c. Select **Logical Volume Manager** and press **Enter**. The Logical Volume Manager panel is displayed.
 - d. Select **Volume Group** and press **Enter**. The Volume Group panel is displayed.
 - e. Select **Mirror a Volume Group** and press **Enter**. The Mirror a Volume Group panel is displayed.
 - f. Enter a volume group name and a physical volume name. Press **Enter**.
You can also enter the **mirrorvg vg1 vpath12** command.
3. Synchronize the logical volumes in the volume group:
 - a. Enter **smitty** and press **Enter** from your desktop window. The System Management Interface Tool panel is displayed.
 - b. Select **System Storage Management (Physical & Logical)** and press **Enter**. The System Storage Management (Physical & Logical) panel is displayed.
 - c. Select **Logical Volume Manager** and press **Enter**. The Logical Volume Manager panel is displayed.

- d. Select **Volume Group** and press **Enter**. The Volume Group panel is displayed.
- e. Select **Synchronize LVM Mirrors** and press **Enter**. The Synchronize LVM Mirrors panel is displayed.
- f. Select **Synchronize by Physical Volume**.

You can also enter the `syncvg -p hdisk13 vpath12` command.

4. Delete copies of all logical volumes from the original physical volume:
 - a. Enter **smitty** and press **Enter** from your desktop window. The System Management Interface Tool panel is displayed.
 - b. Select **Logical Volumes** and press **Enter**. The Logical Volumes panel is displayed.
 - c. Select **Set Characteristic of a Logical Volume** and press **Enter**. The Set Characteristic of a Logical Volume panel is displayed.
 - d. Select **Remove Copy from a Logical Volume** and press **Enter**. The Remove Copy from a Logical Volume panel is displayed.

You can also enter the command:

```
rm1vcopy 1ogl01 1 hdisk13
rm1vcopy 1v01 1 hdisk13
```

5. Remove the old physical volume from the volume group:
 - a. Enter **smitty** and press **Enter** from your desktop window. The System Management Interface Tool panel is displayed.
 - b. Select **Logical Volume Manager** and press **Enter**. The Logical Volume Manager panel is displayed.
 - c. Select **Volume Groups** and press **Enter**. The Volume Groups panel is displayed.
 - d. Select **Set Characteristics of a Volume Group** and press **Enter**. The Set Characteristics of a Volume Group panel is displayed.
 - e. Select **Remove a Physical Volume from a Volume Group** and press **Enter**. The Remove a Physical Volume from a Volume Group panel is displayed.

You can also enter the `reducevg vg1 hdisk13` command.

Using the trace function

SDD supports AIX trace functions. The SDD trace ID is 2F8. Trace ID 2F8 traces routine entry, exit, and error paths of the algorithm. To use it, manually turn on the trace function before the program starts to run, then turn off the trace function either after the program stops, or any time you need to read the trace report.

By default, SDD disables the AIX trace functions. To enable the AIX trace functions for SDD, follow these steps:

1. Enter **pathtest -d** . (for example, **pathtest -d 0**)
2. Enter **777**.
3. Enter **20** to open the device.
4. Enter **3** (as option NO_DELAY).
5. Enter **90** (enable or disable the AIX trace). Follow the prompt: enter **1** to enable.

Then you can start the trace function.

To start the trace function, enter:

```
trace -a -j 2F8
```

To stop the trace function, enter:

```
trcstop
```

To read the report, enter:

```
trcrpt | pg
```

To save the trace data to a file, enter:

```
trcrpt > filename
```

Note: To perform the AIX trace function, you must have the bos.sysmgt.trace installation package installed on your system.

Chapter 3. Using SDDPCM on an AIX host system

SDDPCM is a loadable path control module for supported storage devices to supply path management functions and error recovery algorithms. When the supported storage devices are configured as Multipath I/O (MPIO) devices, SDDPCM is loaded as part of the AIX MPIO FCP (Fibre Channel Protocol) device driver during the configuration. The AIX MPIO-capable device driver with the supported storage devices SDDPCM module enhances the data availability and I/O load balancing.

This chapter provides a general view of the SDDPCM path control module, including where it resides on the I/O stack in operating system and the features and functions that it supports. It also provides procedures to:

- Install SDDPCM
- Configure SDDPCM MPIO-capable devices
- Uninstall the SDDPCM module on an AIX 5.2 ML07 (or later) or AIX 5.3 ML03 (or later) host system, and
- Migrate disk storage MPIO-capable devices from the AIX default PCM to SDDPCM
- Migrate disk storage MPIO-capable devices from SDDPCM to the AIX default PCM or SDD

Figure 3 shows the position of SDDPCM in the protocol stack. I/O operations are sent to the AIX disk driver. The SDDPCM path selection routine is invoked to select an appropriate path for each I/O operation.

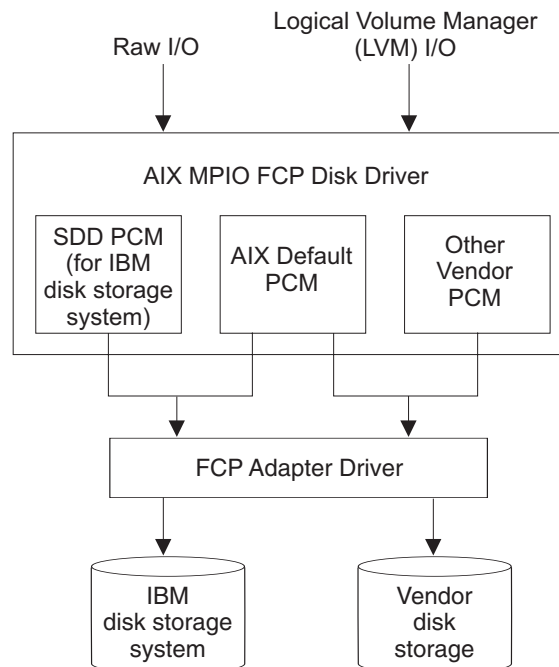


Figure 3. SDDPCM in the protocol stack

For detailed information about AIX 5.2 ML07 (or later) or AIX 5.3 ML03 (or later) MPIO support, visit the following Web site:

http://publib16.boulder.ibm.com/pseries/en_US/aixbman/baseadm/manage_MPIO.htm

AIX MPIO-capable device drivers will automatically discover, configure and make available every storage device path. SDDPCM manages the paths to provide:

- High availability and load balancing of storage I/O
- Automatic path-failover protection
- Concurrent download of supported storage devices licensed machine code
- Prevention of a single-point-failure caused by a host bus adapter, fibre channel cable, or host-interface adapter on the supported storage devices

For updated and additional information that is not included in this chapter, see the Readme file on the CD-ROM or visit the SDD Web site:

www.ibm.com/servers/storage/support/software/sdd

SDD and SDDPCM are exclusive software packages on a server. You cannot install both software packages on a server for supported storage devices. When supported storage devices are configured as non-MPIO-capable devices (that is, multiple logical device instances are created for a physical LUN), you should install SDD to get multipath support.

You should install SDDPCM in order to configure supported storage devices into MPIO-capable-devices (where only one logical device instance is created for a physical LUN). In order to run SDDPCM on AIX 5.2 ML07 (or later) or AIX 5.3 ML03 (or later), you must install all the latest PTFs for that OS level.

Configuring supported storage devices into MPIO-capable devices or into non-MPIO-capable devices is controlled by supported storage devices host attachment.

To configure supported storage devices as non-MPIO-capable devices, install either `ibm2105.rte` (version 32.6.100.x) or `devices.fcp.disk.ibm.rte` (version 1.0.0.x). To configure supported storage devices as MPIO-capable devices, install `devices.fcp.disk.ibm.mpio.rte` (version of 1.0.0.6).

For the latest version of the supported storage devices host attachment package, refer to the Readme file on the SDD download Web site:

www.ibm.com/servers/storage/support/software/sdd

Note: SDDPCM does not support supported SCSI storage devices.

With SDD 1.6.0.0 (or later), SDDPCM and SDD cannot coexist on a AIX server. If a server connects to both ESS storage devices, and DS family storage devices, all devices must be configured either as non-MPIO-capable devices, or as MPIO-capable devices.

Supported SDDPCM features

The following SDDPCM features are supported in this release:

- 32- and 64-bit kernels
- Four types of reserve policies:
 - No_reserve policy
 - Exclusive host access single path policy

- Persistent reserve exclusive host policy
- Persistent reserve shared host access policy
- Three path-selection algorithms:
 - Failover
 - Round robin
 - Load balancing
- Automatic failed paths reclamation by healthchecker
- Failback error-recovery algorithm
- Fibre-channel dynamic device tracking
- Support for all ESS FCP, DS8000, DS6000, and SAN Volume Controller devices
- Support SAN boot device on MPIO supported storage devices

Note: SDDPCM supports ESS devices as SAN boot devices, starting from AIX 5.2I and AIX 5.3A. SDDPCM supports DS8000, DS6000, and SAN Volume Controller devices as SAN boot devices, starting from AIX 5.2L and AIX 5.3D.

- Support for external supported MPIO storage devices as the primary or secondary dump device
- Support storage devices multipath devices as system paging space
- Support SDDPCM server daemon enhanced path health check function
- Support a maximum of 1200 LUNs
- Dynamically adding paths or adapters
- Dynamically removing paths or adapters
- Dynamically changing the device algorithm
- Dynamically changing the device hc_interval
- Dynamically changing the device hc_mode
- Web-based System Manager (WebSM) for MPIO supported storage devices (Refer to www-1.ibm.com/servers/aix/wsm/ for more information about WebSM.)
- Reserve last path of a device in OPEN mode
- Support the essutil Product Engineering tool in SDDPCM's **pcmpath** command line program
- Support HACMP in both concurrent and nonconcurrent mode with Enhanced Concurrent Mode volume group
- Support GPFS in AIX 5.2 ML06 (or later) and 5.3 ML02 (or later)

Unsupported SDDPCM features

The following SDDPCM features are not currently supported.

- HACMP with persistent reservation policies
- Multiple hosts sharing supported storage MPIO devices without supported clustering software installed

Verifying the hardware and software requirements

You must install the following hardware and software components to ensure that SDDPCM installs and operates successfully.

Hardware

The following hardware components are needed:

- Supported storage devices (FCP devices only)
- One or more switches, if the supported storage devices is not direct-attached
- Host system
- Fibre-channel adapters and cables

Software

The following software components are needed:

- AIX 5.2 ML07 (or later) or AIX 5.3 ML03 (or later) operating system.
- Fibre-channel device drivers
- One of the following installation packages:
 - `devices.sddpcm.52.rte` (version 2.1.1.0)
 - `devices.sddpcm.53.rte` (version 2.1.1.0)
- supported storage devices: `devices.fcp.disk.ibm.mpio.rte` host attachment package for SDDPCM

Unsupported environments

SDDPCM does not support:

- ESS SCSI devices
- A host system with both a SCSI and fibre-channel connection to a shared ESS logical unit number (LUN)
- Single-path mode during code distribution and activation of LMC nor during any supported storage devices concurrent maintenance that impacts the path attachment, such as a supported storage device host-bay-adapter replacement.

Host system requirements

To successfully install SDDPCM for supported storage devices, you must have AIX 5.2 ML07 (or later) or AIX 5.3 ML03 (or later) installed on your host system along with the AIX required fixes, APARs, and microcode updates identified on the following Web site:

www-1.ibm.com/servers/storage/support/

Supported storage device requirements

To successfully install SDDPCM, ensure that the `devices.fcp.disk.ibm.mpio.rte` (version 1.0.0.6) package for supported storage device attachment is installed on the server.

Fibre requirements

You must check for and download the latest fibre-channel device driver APARs, maintenance-level fixes, and microcode updates from the following Web site:

www-1.ibm.com/servers/eserver/support/

If your host has only one fibre-channel adapter, it requires you to connect through a switch to multiple supported storage device ports. You should have at least two fibre-channel adapters to prevent data loss due to adapter hardware failure or software failure.

For information about the fibre-channel adapters that can be used on your AIX host system, go to the following Web site:

To use the SDDPCM fibre-channel support, ensure that your host system meets the following requirements:

- The AIX host system is an IBM RS/6000 or IBM System p with AIX 5.2 ML07 (or later) or AIX 5.3 ML03 (or later).
- The AIX host system has the fibre-channel device drivers installed along with all latest APARs.
- The host system can be a single processor or a multiprocessor system, such as SMP.
- A fiber-optic cable connects each fibre-channel adapter to a supported storage system port.
- If you need the SDDPCM I/O load-balancing and failover features, ensure that a minimum of two paths to a device are attached.

Preparing for SDDPCM installation

The SDDPCM installation package installs a number of major files on your AIX system. The major files that are part of the SDDPCM installation package are:

File name	Description
sddpcmrtd	A dynamically loaded module added to the device configuration methods to extend the supported storage devices device configuration methods to facilitate the configuration operations of the PCM KE
sddpcmke	A dynamically-loaded module added to the AIX 5L kernel that provides path management functions for supported storage devices
sdduserke	A dynamically-loaded module added to the AIX 5L kernel that provides the API to sddpcmke
pcmpath	SDDPCM command line tool
pcmsrv	Daemon for enhanced path healthcheck function
sample_pcmsrv.conf	The sample SDDPCM server daemon configuration file
fcppcmmap	Collects supported storage devices fibre-channel device information through SCSI commands
pcmquerypr	SDDPCM persistent reserve command tool
pcmgenprkey	SDDPCM persistent reserve command tool to generate persistent reserve key
relbootrsv	Release SCSI-2 reserve on boot devices or on active non-boot volume groups
sddpcmgetdata	Script to collect SDDPCM information, trace log files, and system error logs into an sddpcmdata_<host_date_time>.tar file for problem determination

Before you install SDDPCM, you must perform the tasks identified in the following section:

Preparing for SDDPCM installation for supported storage devices

Before you install SDDPCM, you must:

- Connect the supported storage device to your host system and the required fibre-channel adapters that are attached.
- Configure the supported storage device for single-port or multiple-port access for each LUN. To use the load-balancing and failover features, SDDPCM requires a minimum of two independent paths that share the same logical unit. **With a single path, failover protection is not available.**

For more information about how to configure your supported storage device, refer to the Planning Guide for your product.

Before you install SDDPCM, you must:

- Determine that you have the correct installation package
- Remove the SDD package, if it is installed.
- Remove the `ibm2105.rte` (version 32.6.100.x) or `devices.fcp.disk.ibm.rte` (version 1.0.0.x), if it is installed.
- Install the AIX fibre-channel device drivers, if necessary.
- Verify and upgrade the fibre channel adapter firmware level
- Install the MPIO-supported supported storage devices attachment: `devices.fcp.disk.ibm.mpio.rte` (version 1.0.0.6)

Determining the correct installation package

SDDPCM can be installed only on an AIX 5.2 ML07 (or later) or AIX 5.3 ML03 (or later) operating system. The package name of SDDPCM is `devices.sddpcm.52.rte` for AIX 5.2 ML07 or later and `devices.sddpcm.53.rte` for AIX 5.3 ML03 or later.

Determining if the SDD package is installed

To determine if the SDD is installed:

1. Use the `lspp -l *ibmSdd*` and `lspp -l devices.sdd*` commands to determine if any SDD package is installed on the system.
2. If SDD is installed for supported storage device configuration, then you must unconfigure and remove all SDD vpath devices, and then uninstall the SDD package. See “Unconfiguring SDD” on page 38 and “Removing SDD from an AIX host system” on page 43.

Determining if the `ibm2105.rte` package is installed

To determine if the `ibm2105.rte` package is installed:

1. Use the `lspp -l *ibm2105*` command to determine if any `ibm2105.rte` with VRMF 32.6.100.XX is installed.
2. If `ibm2105.rte` is installed, then you must:
 - a. Unconfigure and remove all supported storage devices.
 - b. Use `smitty` to uninstall the `ibm2105.rte` package.

Determining if the `devices.fcp.disk.ibm.rte` package is installed

To determine if the `devices.fcp.disk.ibm.rte` package is installed:

1. Use the `lspp -l devices.fcp.disk.ibm*` command to determine if any `devices.fcp.disk.ibm.rte` with VRMF 1.0.0.X is installed.
2. If `devices.fcp.disk.ibm.rte` is installed, then you must:
 - a. Unconfigure and remove all supported storage devices.
 - b. Use `smitty` to uninstall the `devices.fcp.disk.ibm.rte` package.

Installing the AIX fibre-channel device drivers

You must check for the latest information on fibre-channel device driver APARs, maintenance-level fixes, and microcode updates at the following Web site:

www-1.ibm.com/servers/storage/support/

Perform the following steps to install the AIX fibre-channel device drivers from the AIX compact disk:

1. Log in as the root user.
2. Load the compact disc into the CD-ROM drive.
3. From your desktop window, enter **smitty install_update** and press **Enter** to go directly to the installation panels. The **Install and Update Software** menu is displayed.
4. Highlight **Install Software** and press **Enter**.
5. Press **F4** to display the **INPUT Device/Directory for Software** panel.
6. Select the compact disc drive that you are using for the installation; for example, `/dev/cd0`, and press **Enter**.
7. Press **Enter** again. The **Install Software** panel is displayed.
8. Highlight **Software to Install** and press **F4**. The **Software to Install** panel is displayed.
9. The fibre-channel device drivers include the following installation packages:

devices.pci.df1080f9

The adapter device driver for RS/6000 or IBM System p with feature code 6239.

devices.pci.df1000f9

The adapter device driver for RS/6000 or IBM System p with feature code 6228.

devices.pci.df1000f7

The adapter device driver for RS/6000 or IBM System p with feature code 6227.

devices.common.IBM.fc

The FCP protocol driver.

devices.fcp.disk

The FCP disk driver.

Select each one by highlighting it and pressing **F7**.

10. Press **Enter**. The **Install and Update from LATEST Available Software** panel is displayed with the name of the software you selected to install.
11. Check the default option settings to ensure that they are what you need.
12. Press **Enter** to install. SMIT responds with the following message:

```
+-----+
| ARE YOU SURE??                               |
| Continuing may delete information you may    |
| want to keep. 413                            |
| This is your last chance to stop before     |
| continuing. 415                              |
+-----+
```

13. Press **Enter** to continue. The installation process can take several minutes to complete.
14. When the installation is complete, press **F10** to exit from SMIT. Remove the compact disc.

15. Check to see if the correct APARs are installed by entering the following command:

```
instfix -iv | grep IYnnnnn
```

where *nnnnn* represents the APAR numbers.

If the APARs are listed, that means that they are installed. If they are installed, go to “Configuring supported storage MPIO-capable devices” on page 106. Otherwise, go to step 3.

16. Repeat steps 1 through 14 to install the APARs.

Verifying and upgrading the fibre channel adapter firmware level

Use the following procedures to verify and upgrade your current fibre channel adapter firmware level.

Verifying the adapter firmware level: You must verify that your current adapter firmware is at the latest level. If your current adapter firmware is not at the latest level, you must upgrade to a new adapter firmware (microcode). To check the current supported firmware level for fibre-channel adapters, go to the following Web site:

<https://techsupport.services.ibm.com/server/mdownload>

Perform the following steps to verify the firmware level that is currently installed:

1. Enter the **lscfg -vl fcsN** command. The vital product data for the adapter is displayed.
2. Look at the **ZB** field. The **ZB** field should look similar to:

```
(ZB).....S2F3.30X1
```

To verify the firmware level, ignore the second character in the **ZB** field. In the example, the firmware level is sf330X1.

3. If the adapter firmware level is at the latest level, there is no need to upgrade; otherwise, the firmware level must be upgraded. To upgrade the firmware level, go to “Upgrading the adapter firmware level.”

Upgrading the adapter firmware level: Upgrading the firmware level consists of downloading the firmware (microcode) from your AIX host system to the adapter. Before you upgrade the firmware, ensure that you have configured any fibre-channel-attached devices (see “Configuring fibre-channel-attached devices” on page 15). After the devices are configured, download the firmware from the AIX host system to the FCP adapter by performing the following steps:

1. Verify that the correct level of firmware is installed on your AIX host system. Go to the /etc/microcode directory and locate the file called df1000f7.XXXXXX for feature code 6227 and df1000f9.XXXXXX for feature code 6228, where XXXXXX is the level of the microcode. This file was copied into the /etc/microcode directory during the installation of the fibre-channel device drivers.
2. From the AIX command prompt, enter **diag** and press **Enter**.
3. Highlight the **Task Selection** option.
4. Highlight the **Download Microcode** option.

5. Press **Enter** to select all the fibre-channel adapters to which you want to download firmware. Press **F7**. The Download panel is displayed with one of the selected adapters highlighted. Press **Enter** to continue.
6. Highlight `/etc/microcode` and press **Enter**.
7. Follow the instructions that are displayed to download the firmware, one adapter at a time.

Installing and upgrading SDDPCM

SDDPCM is released as an AIX installation image. The SDDPCM install image resides in the `/usr/sys/inst.images/SDDPCM` directory on CD-ROM directory. Because the package does not reside in the `/usr/sys/inst.images` directory, which is the default directory for the AIX install program, you must mount the CD-ROM file system before you can use SMIT to install SDDPCM from the CD-ROM directory.

Notes:

1. To mount the CD-ROM and install SDDPCM, you must have root access and AIX system administrator knowledge.
2. The `devices.fcp.disk.ibm.mpio.rte` (for supported storage FCP devices) package must be installed before you install the `devices.sddpcm.52.rte` or `devices.sddpcm.53.rte` package.

Creating and mounting the CD-ROM filesystem

To install SDDPCM from the CD-ROM, you must first create and mount the CD-ROM filesystem. Use SMIT to perform the following steps to create and mount the CD-ROM to CD-ROM file system.

Note: Throughout this procedure, `/dev/cd0` is used for the compact disc driver address. The driver address can be different in your environment.

1. Log in as the root user
2. Insert the compact disc into the CD-ROM drive.
3. From your desktop window, enter **smitty fs** and press **Enter**.
4. Select **Add / Change / Show / Delete File Systems** and press **Enter**.
5. Select **CDROM File System** and press **Enter**.
6. Select **Add a CDROM File System** and press **Enter**. The Add a CDROM File System panel is displayed.
7. Select **DEVICE name** and select **F4**. The DEVICE name panel is displayed.
8. Select the compact disc drive that you are using for the installation, (for example, `cd0`), and press **Enter**.
9. Select **MOUNT POINT** and enter a directory where you want the CDROM File System to be mounted, (for example, `/cdmnt`).
10. Click the default option settings for the other fields to ensure that they are what you need.

```
+-----+
+ Add a CDROM File System                               +
+                                                       +
+ Type or select values in entry fields.                +
+ Press Enter AFTER making all desired changes.         +
+                                                       +
+                                                       [Entry Fields] +
+ * DEVICE name                                         cd0           +
+ * MOUNT POINT                                         [/cdmnt]      +
```

```

+ Mount AUTOMATICALLY at system restart?    no          +
+-----+

```

11. Press **Enter** to create the CDROM File System.
12. When the CDROM File System has been created, press **F10** to exit from smit.
13. From your desktop window, enter **smitty mount** and press **Enter**.
14. Select **Mount a File System** and press **Enter**. The Mount a File System panel is displayed.
15. Select **FILE SYSTEM name** and press **F4**
16. Select the CDROM File System that you created and press **Enter**.
17. Select **DIRECTORY** on which to mount and press **F4**.
18. Select the CDROM File System that you created and press **Enter**.
19. Select **TYPE of file system** and press **Enter**.
20. Select **cdarfs** as the type of file system and press **Enter**.
21. Select **Mount as a REMOVABLE file system?** and press **TAB** to change the entry to *yes*.
22. Select **Mount as a READ-ONLY system?** and press **TAB** to change entry to *yes*.
23. Click to check the default option settings for the other fields to ensure that they are what you need.

```

+-----+
+          Mount a File System                      +
+ Type or select values in entry fields.           +
+ Press Enter AFTER making all desired changes.   +
+ [Entry Fields]                                   +
+ FILE SYSTEM name                                [/dev/cd0]  +
+ DIRECTORY over which to mount                    [/cdmnt]   +
+ TYPE of file system                              cdrfs  +
+ FORCE the mount?                                  no      +
+ REMOTE NODE containing the file system          []     +
+   to mount                                       +
+ Mount as a REMOVABLE file system?                yes     +
+ Mount as a READ-ONLY system?                     yes     +
+ Disallow DEVICE access via this mount?          no      +
+ Disallow execution of SUID and sgid programs    no      +
+ in this file system?                             +
+-----+

```

24. Press **Enter** to mount the file system.
25. When the file system has been mounted successfully, press **F10** to exit from smit.

Using the System Management Interface Tool facility to install SDDPCM

Use the System Management Interface Tool (SMIT) facility to install SDDPCM. The SMIT facility has two interfaces: nongraphical (enter **smitty** to invoke the nongraphical user interface) and graphical (enter **smit** to invoke the graphical user interface).

Throughout this SMIT procedure, `/dev/cd0` is used for the compact disc drive address. The drive address can be different in your environment. Perform the following SMIT steps to install the SDDPCM package on your system.

1. From your desktop window, `cd` to the directory where the CDROM file system is mounted, for example `/cdmnt`.

2. Go to the directory `usr/sys/inst.images/SDDPCM`.
3. From your desktop window, enter **smitty install_update** and press **Enter** to go directly to the installation panels. The Install and Update Software menu is displayed.
4. Highlight **Install Software** and press **Enter**.
5. Enter `.` to indicate the current directory and press **Enter**.
6. Highlight **Software to Install** and press **F4**. The Software to Install panel is displayed.
7. Select the `devices.sddpcm.52.rte` or `devices.sddpcm.53.rte` installation package, based on the OS level.
8. Press **Enter**. The Install and Update from LATEST Available Software panel is displayed with the name of the software that you selected to install.
9. Check the default option settings to ensure that they are what you need.
10. Press **Enter** to install. SMIT responds with the following message:

```

ARE YOU SURE??
Continuing may delete information you may want to keep.
This is your last chance to stop before continuing.

```

11. Press **Enter** to continue. The installation process can take several minutes to complete.
12. When the installation is complete, press **F10** to exit from SMIT.

Unmounting the CD-ROM File System

After successfully installing SDDPCM, use the following procedure to unmount CD-ROM file system in order to remove the CD-ROM:

1. Go to the root (`/`) directory.
2. Enter **umount /cdmnt** and press **Enter** to unmount the CD-ROM file system from the `/cdmnt` directory.
3. Enter **rmfs /cdmnt** and press **Enter** to remove the CD-ROM file system.
4. Remove the CD-ROM.

Updating and migrating SDDPCM

The following sections discuss the following methods of updating or migrating SDDPCM:

- “Updating SDDPCM packages by installing a newer base package or a program temporary fix”
- “Committing or rejecting a program temporary fix update” on page 105
- “Migrating the supported storage SAN boot device or non-boot volume group from AIX default PCM to SDDPCM” on page 116
- “Migrating from SDDPCM to the AIX default PCM or to SDD” on page 106

Updating SDDPCM packages by installing a newer base package or a program temporary fix

SDDPCM allows you to update SDDPCM by installing a newer base package or a program temporary fix (PTF). A PTF file has a file extension of `.bff` (for example, `devices.sddpcm.52.rte.2.1.0.1.bff`) and can either be applied or committed when it is installed. If the PTF is committed, the update to SDDPCM is permanent; to remove the PTF, you must uninstall SDDPCM. If the PTF is applied, you can choose to commit or to reject the PTF at a later time. If you decide to reject the PTF, you will not need to uninstall SDDPCM from the host system.

Before applying a newer base package or a PTF to your system, you must stop the applications and stop the SDDPCM server daemon. After applying the base package or the PTF, follow the procedure in “Configuring and unconfiguring supported storage MPIO-capable devices” on page 106 to reconfigure the supported storage devices. The SDDPCM server daemon should be automatically started after restarting the system. If it does not start automatically, you need to start the SDDPCM server daemon manually

Use the SMIT facility to update SDDPCM. The SMIT facility has two interfaces, nongraphical (enter **smitty** to invoke the nongraphical user interface) and graphical (enter **smit** to invoke the GUI).

If the base package or PTF is on a CD-ROM, you need to mount the CD file system, and then cd to the directory on the CD that contains the SDDPCM base package or PTF. See “Creating and mounting the CD-ROM filesystem” on page 101 for directions on how to mount the CD file system. Throughout this SMIT procedure, /dev/cd0 is used for the CD drive address. The drive address can be different in your environment.

Perform the following SMIT steps to update the SDDPCM package on your system:

1. Log in as the root user.
2. From your desktop window, enter **smitty install_update** and press **Enter** to go directly to the installation panels. The Install and Update Software menu is displayed.
3. Select **Install Software** and press **Enter**.
4. Enter **.** to select the current directory as the INPUT Device/Directory for Software panel and press **Enter**. The Install Software panel is displayed.
5. Select **Software to Install** and press **F4**. The Software to Install panel is displayed.
6. Select the base package or the PTF package that you want to install.
7. Press **Enter**. The Install and Update from LATEST Available Software panel is displayed with the name of the software that you selected to install.
8. If you only want to apply the PTF, select **Commit software Updates?** and tab to change the entry to *no*. The default setting is to commit the PTF. If you specify *no* to Commit Software Updates?, ensure that you specify *yes* to Save Replaced Files?.
9. Check the other default option settings to ensure that they are what you need.
10. Press **Enter** to install. SMIT responds with the following message:

```
+-----+
| ARE YOU SURE??                               |
| Continuing may delete information you may    |
| want to keep.                               |
| This is your last chance to stop before     |
| continuing.                                 |
+-----+
```

11. Press **Enter** to continue. The installation process can take several minutes to complete.
12. When the installation is complete, press **F10** to exit from SMIT.
13. Unmount the CD file system and remove the compact disc.

Note: You do not need to restart the system even though the bosboot message might indicate that a restart is necessary.

Committing or rejecting a program temporary fix update

Before you reject a PTF update, you need to unconfigure and remove all supported storage devices from your host system. Committing a PTF does not require this extra step. Perform the following steps to commit or reject a PTF update with the SMIT facility. The SMIT facility has two interfaces: nongraphical (enter **smitty** to invoke the nongraphical user interface) and graphical (enter **smit** to invoke the GUI).

1. Log in as the root user.
2. From your desktop window, enter **smitty install** and press **Enter** to go directly to the installation panels. The Software Installation and Maintenance menu is displayed.
3. Select **Software Maintenance and Utilities** and press **Enter**.
4. Select **Commit Applied Software Updates** to commit the PTF or select **Reject Applied Software Updates** to reject the PTF.
5. Press **Enter**. The Commit Applied Software Updates panel is displayed or the Reject Applied Software Updates panel is displayed.
6. Select **Software name** and press **F4**. The software name panel is displayed.
7. Select the Software package that you want to commit or reject.
8. Check the default option settings to ensure that they are what you need.
9. Press **Enter**. SMIT responds with the following message:

```
+-----+
| ARE YOU SURE??
| Continuing may delete information you may want to keep.
| This is your last chance to stop before continuing.
+-----+
```

10. Press **Enter** to continue. The commit or reject process can take several minutes to complete.
11. When the installation is complete, press **F10** to exit from SMIT.

Note: You do not need to restart the system even though the bosboot message may indicate that a restart is necessary.

Verifying the currently installed version of SDDPCM

You can verify your currently-installed version of SDDPCM by issuing the following command:

```
lspp -l *sddpcm*
```

Maximum number of devices supported by SDDPCM

SDDPCM supports a maximum of 1200 configured devices and a maximum of 16 paths per device. However, with the round robin or load balance path selection algorithms, configuring more than four paths per device may impact the I/O performance. You should use the minimum number of paths necessary to achieve sufficient redundancy in the SAN environment. The recommended number of paths per device is four.

In order to support 1200 supported storage device LUNs, system administrators should first determine whether the system has sufficient resources to support a large number of devices. See “Preparing your system to configure more than 600 supported storage devices or to handle a large amount of I/O after queue depth is disabled” on page 35 for more information.

Migrating from SDDPCM to the AIX default PCM or to SDD

Note: If you have supported storage devices configured with SDDPCM as MPIO boot devices, then you need to contact IBM support for migration from SDDPCM to the AIX default PCM. The following procedure is applicable only for a system without SDDPCM MPIO devices configured as the SAN boot device.

To migrate from SDDPCM to the AIX default PCM or to SDD, you must first unconfigure the devices, stop the SDDPCM server daemon, and then uninstall the SDDPCM package and the SDDPCM host attachment package. See “Removing SDDPCM from an AIX host system” on page 108 for directions on uninstalling SDDPCM. After you uninstall SDDPCM, you can then restart the system to migrate supported storage MPIO devices to the AIX default PCM. If you want to migrate supported storage devices to SDD devices, you must then install the supported storage device host attachment for SDD and the appropriate SDD package for your system. Then restart the system to configure the supported storage devices to SDD vpath devices.

Configuring and unconfiguring supported storage MPIO-capable devices

After installing the MPIO-supported supported storage device host attachment and the SDDPCM package, you need to restart the system in order to configure supported storage devices as MPIO-capable devices. After the first system restart, you can then use the normal AIX command line configure programs to configure and unconfigure supported storage MPIO-capable devices.

After the system restarts, the SDDPCM server daemon (**pcmsrv**) should automatically start.

Configuring supported storage MPIO-capable devices

The newly installed supported storage devices must be configured as MPIO-capable devices before you can use them. Use one of the following commands to configure these devices:

- **cfgmgr** command

Note: If operating in a switched environment, the **cfgmgr** command must be executed once for each host adapter each time a device is added.

If you use the **cfgmgr** command to configure supported storage MPIO devices, you might need to start the SDDPCM server daemon manually, if it has not already started. See “SDDPCM server daemon” on page 118 for information describing how to check the daemon status and how to manually start the daemon.

- **shutdown -rF** command to restart the system.

After the system restarts, the SDDPCM server daemon (**pcmsrv**) should automatically start.

Verifying the SDDPCM Configuration

To verify the SDDPCM configuration, you can use one of the following:

- SMIT MPIO management submenu, or
- SDDPCM **pcmpath query device** command

Perform the following steps use SMIT to verify the SDDPCM configuration on an AIX host system:

1. Enter **smitty MPIO** from your desktop window. The **MPIO management** menu is displayed.
2. Select MPIO Device Management and press **Enter**. The MPIO Device Management panel is displayed.
3. Select List ALL MPIO Devices and press **Enter**. All MPIO devices on the host are listed.
4. Search for all IBM MPIO FC XXXX devices, where XXXX can be 2105, 2107, or 1750, or SAN Volume Controller MPIO devices. Ensure that they are in the Available state.

You can also use the SDDPCM **pcmpath query device** command to query the configuration status of supported storage devices.

Notes:

1. If none of the supported storage devices are configured successfully as MPIO devices, then the **pcmpath query device** command will fail.
2. Because the AIX disk-configure method supports parallel device configuration, the same MPIO logical device name can configured with different supported storage devices after each device configuration. If you have a program or script that has the MPIO logical device name hardcoded, ensure that you check the MPIO logical device name binding with the storage device LUN. If there is a change to the binding between an MPIO logical device name and the storage device LUN, you must revise your program or script.

Dynamically adding and removing paths or adapters

When supported storage devices are configured as MPIO-capable devices under AIX 5.2 ML07 (or later) or AIX 5.3 ML03 (or later), you can add or remove extra paths or adapters while I/O is running. To add extra paths that are attached to an adapter to existing available devices, enter:

```
mkpath -l hdiskX -p fscsiY
```

When the command returns successfully, the paths are added to the devices.

To check the device configuration status, enter:

```
lspath -l hdiskX
```

or

```
pcmpath query device X
```

To add a new adapter to existing available supported storage MPIO devices, enter:

```
cfgmgr -vl fscsiX
```

To check the adapter configuration status, enter:

```
pcmpath query adapter
```

or

pcmpath query device

To dynamically remove all paths under a parent adapter from a supported storage MPIO device, enter:

```
rmpath -dl hdiskX -p fscsiY
```

To dynamically remove an adapter and all children devices from supported storage MPIO devices, use **smit mpio**, or enter the following on the command line:

```
rmdev -l fscsiX -R
```

or

```
rmdev -dl fscsiX -R
```

Note: You cannot remove last path from a supported storage MPIO device. The command will fail if you try to remove the last path from a supported storage MPIO device.

Unconfiguring supported storage MPIO-capable devices

Note: If you have used SDDPCM to configure SAN boot MPIO devices on supported storage system disks, the SAN boot MPIO devices cannot be unconfigured with following process. Contact IBM support if your system has SAN boot MPIO devices on supported storage devices that were configured with SDDPCM.

To remove all non-SAN supported storage MPIO-capable devices:

1. Unmount the file systems of all supported storage devices.
2. Vary off all supported storage device volume groups.
3. Enter the **stopsrc -s pcmsrv** command to stop **pcmsrv**.
4. Enter the following command for each adapter:

```
rmdev -dl fcsX -R
```

Removing SDDPCM from an AIX host system

Before you remove the SDDPCM package from your AIX host system, all supported storage devices must be unconfigured and removed from your host system, or migrated to the AIX default PCM. The SDDPCM server daemon must be stopped.

Note: SDDPCM supports MPIO-supported storage devices as SAN boot devices. If your server has a supported storage device configured with SDDPCM as the SAN boot device, contact IBM support for your SAN boot configuration environment.

To remove SDDPCM, you must remove both the supported storage devices host attachment for SDDPCM and the SDDPCM software packages before you reconfigure supported storage devices or restart the system. Otherwise, the devices can be in the *Defined* state and will not be able to be configured as either MPIO or non-MPIO devices.

After all the supported storage devices are removed or migrated to the AIX default PCM and the SDDPCM server daemon (**pcmsrv**) is stopped, perform the following steps to remove the SDDPCM software package:

1. Enter **smitty deinstall** from your desktop window to go directly to the Remove Installed Software panel.
2. Press **F4** in the SOFTWARE name field to bring up a list of packages and press the **F7** key to select the package to uninstall.
3. Press **Tab** in the **PREVIEW Only?** field to toggle between Yes and No. Select **No** to remove the software package from your AIX host system.

Note: If you select **Yes**, the process stops at this point and previews what you are removing. The results of your precheck are displayed without removing the software. If the state for any supported storage MPIO device is either *Available* or *Defined*, the process fails.

4. Select **No** for the remaining fields on this panel.
5. Press **Enter**. SMIT responds with the following message:

```
ARE YOU SURE??  
Continuing may delete information you may want to keep.  
This is your last chance to stop before continuing.
```

6. Press **Enter** to begin the removal process. This might take a few minutes.
7. When the process is complete, the SDDPCM software package and the supported storage device host attachment for SDDPCM are removed from your system.

SDDPCM support for HACMP with Enhanced Concurrent Mode volume groups

Starting from SDDPCM 2.1.1.0, SDDPCM supports HACMP V5.2 and HACMP V5.3 on an AIX 5.2 ML07 (or later) and AIX 5.3 ML03 (or later) system in both concurrent and nonconcurrent nodes.

This support requires definition of the shared volume groups as Enhanced Concurrent Mode volume groups, in either concurrent or nonconcurrent resource groups. This means that no reserve needs to be broken in response to a node failure, and hence any requirement on breaking reserves is removed. A special interaction between HACMP and LVM ensures that if the volume group is used in a nonconcurrent resource group, applications are allowed to access it on one node at a time. Only `no_reserve` policy is supported in both concurrent and nonconcurrent modes.

The Enhanced Concurrent Mode volume groups are sufficient to ensure high availability. However, if system is running in nonconcurrent mode with nonconcurrent resource groups, you should configure your SAN using the following guidelines:

- The interaction between HACMP and LVM to ensure that only one node has nonconcurrent access at a time is *advisory locking*. This is in contrast to the *mandatory locking* provided by SCSI reserves. To ensure that production data is not inadvertently modified by nodes that are not in the HACMP cluster, the following should be done:
 1. Use either physical cabling or zoning to ensure that only HACMP nodes have access to the shared LUNs. That is, non-HACMP nodes should be prevented by hardware from accessing the shared LUNs.

2. Start HACMP on the cluster nodes at boot time. This ensures that HACMP will activate the appropriate access controls on the shared disk before applications have a chance to modify the access controls.
- Configure disk heartbeating to reduce the likelihood of one node considering the other *dead* and attempting to take over the shared disks. (This is known as a *partitioned cluster*, or *split brain syndrome*). If the shared disks consist of multiple enclosures, use one disk in each enclosure as a heartbeat path.

MPIO reserve policies

SDDPCM supports 4 MPIO reserve policies. You can select one of the four reserve policies based on their configuration environment or application needs. The supported reserve policies are:

- No Reserve reservation policy
- Exclusive Host Access Single Path reservation policy
- Persistent Reserve Exclusive Host Access reservation policy
- Persistent Reserve Shared Host Access reservation policy

No Reserve reservation policy

If you set MPIO devices with this reserve policy, then there is no reserve being made on MPIO devices. A device without reservation can be accessed by any initiators at any time. Input/output can be sent from all the paths of the MPIO device. This is the default reserve policy of SDDPCM.

Exclusive Host Access single-path reservation policy

This is the scsi-2 reservation policy. If you set this reserve policy for MPIO devices, then only the fail_over path selection algorithm can be selected for the devices. With this reservation policy, an MPIO device only has one path being opened, and a scsi-2 reservation is made by this path on the device. Input/output can only be sent through this path. When this path is broken, another path will be opened and scsi-2 reservation will be made by the new path. All input and output will be routed to this path.

Persistent Reserve Exclusive Host Access reservation policy

If you set an MPIO device with this persistent reserve policy, then a persistent reservation is made on this device with a persistent reserve (PR) key. Any initiators who register with the same PR key can access this device. Normally, you should pick a unique PR key for a server. Different servers should have different unique PR key. Input and output is routed to all paths of the MPIO device, because all paths of an MPIO device are registered with the same PR key. In a nonconcurrent clustering environment, such as HACMP, this is the reserve policy that you should select.

Current HACMP clustering software supports no_reserve policy with Enhanced Concurrent Mode volume group. HACMP support for persistent reserve policies for supported storage MPIO devices is not available.

Persistent Reserve Shared Host Access reservation policy

If you set an MPIO device with this persistent reserve policy, then a persistent reservation is made on this device with a persistent reserve (PR) key. However, any initiators that implemented persistent registration can access this MPIO device, even if the initiators are registered with different PR keys. In a concurrent clustering environment, such as HACMP, this is the reserve policy that you should select for sharing resources among multiple servers.

Current HACMP clustering software supports no_reserve policy with Enhanced Concurrent Mode volume group. HACMP support for persistent reserve policies for supported storage MPIO devices is not available.

SDDPCM ODM attribute settings

The following sections discuss the SDDPCM ODM attribute default settings, and how to change the attributes of the supported storage MPIO devices:

- “SDDPCM ODM attribute default settings”
- “Changing device reserve policies”
- “Changing the path selection algorithm” on page 112
- “Changing SDDPCM path healthcheck mode” on page 112

SDDPCM ODM attribute default settings

SDDPCM has following default attributes settings:

Attribute	Default value
device reserve policy	no_reserve
path selection algorithm	load balance
healthcheck mode	nonactive
healthcheck time interval	20 seconds

Changing device reserve policies

Use the **chdev** command to change the reserve policy for a device. Because **chdev** requires the device to be unconfigured and reconfigured, this is a disruptive operation.

The following reserve policies can be used with any of the supported path selection algorithms (see “Supported SDDPCM features” on page 94):

- no_reserve
- persistent reserve exclusive host access
- persistent reserve shared host access

When the reserve policy of a device is exclusive host access single path (scsi-2), the only path selection algorithm supported is the fail_over algorithm. The fail_over algorithm selects one path at a time for all I/Os. When the active path fails, then an alternative path is selected. The scsi-2 reserve is reissued by this alternative path

To change the device reserve policy to no_reserve, enter:

```
chdev -l hdiskX -a reserve_policy=no_reserve
```

If you want to change the reserve policy to one of the persistent reserve policies, then you must provide a persistent reserve key at the same time that you change the device policy to one of the persistent reserve types. For example, to change the reserve policy to PR_shared:

```
chdev -l hdiskX -a PR_key_value=0x1234 -a reserve_policy=PR_shared
```

Note: Starting from SDDPCM 2.1.0.0, 2 persistent reserve tools are provided to manage supported storage system MPIO devices. See “Persistent reserve command tools” on page 119 for more information.

Changing the path selection algorithm

Starting with SDDPCM 2.1.0.0, you can use the **pcmpath set device algorithm** command to dynamically change the path selection algorithm. See “pcmpath set device algorithm” on page 142 for information about this command.

You can also use the **chdev** command to change the path selection algorithm of a device. Because **chdev** requires that the device be unconfigured and then reconfigured, this is a disruptive operation.

Use the following command to change the device path selection algorithm to round robin:

```
chdev -l hdiskX -a algorithm=round_robin
```

You can change the `reserve_policy` and `algorithm` for a device with one command. For example, to change the reserve policy to `no_reserve` and the path selection algorithm to round robin:

```
chdev -l hdiskX -a reserve_policy=no_reserve -a algorithm=round_robin
```

Changing SDDPCM path healthcheck mode

SDDPCM supports the path healthcheck function. If this function is enabled, then SDDPCM will test opened paths and reclaim failed paths based on the value set in the following device healthcheck attribute:

```
hc_mode
```

Healthchecking supports the following modes of operations:

- Enabled - When this value is selected, the healthcheck command will be sent to paths that are opened with a normal path mode.
- Failed - When this value is selected, the healthcheck command will be sent to paths that are in failed state.
- Nonactive - When this value is selected, the healthcheck command will be sent to paths that have no active I/O. This includes paths that are opened or in failed state.

If the algorithm selected is round robin or load balance, then the healthcheck command will only be sent to failed paths, because the round robin and load balanced algorithms route I/O to all opened paths that are functional. The default value setting of SDDPCM is *nonactive*.

Starting with SDDPCM 2.1.0.0, the **pcmpath set device hc_mode** command allows you to dynamically change the path healthcheck mode. See “pcmpath set device hc_mode” on page 144 for information about this command.

You can also use the **chdev** command to change the device path healthcheck mode. Because **chdev** requires that the device be unconfigured and then reconfigured, this is a disruptive operation. To change the path healthcheck mode to *failed*, issue following command:

```
chdev -l hdiskX -a hc_mode=failed
```


Changing SDDPCM path healthcheck time interval

The `hc_interval` attribute will determine how often the paths of a device should be health-checked. The `hc_interval` attribute has a range of values from 0 - 3600 seconds. When a value of 0 is selected, the healthcheck function is disabled. The default value setting is 20 (seconds).

Starting with SDDPCM 2.1.0.0, the `pcmpath set device hc_interval` command allows you to dynamically change the path healthcheck time interval. See “`pcmpath set device hc_interval`” on page 143 for information about this command.

You can also use the `chdev` command to change the device path healthcheck time interval. Because `chdev` requires that the device be unconfigured and then reconfigured, this is a disruptive operation. To disable the path healthcheck interval function, issue following command:

```
chdev -l hdiskX -a hc_interval=0
```

Note: Currently, the SDDPCM healthcheck function only checks the paths being opened. It does not healthcheck any path that is in the close state. The SDDPCM server daemon healthchecks `close_failed` paths. If the SDDPCM healthcheck function is disabled, then the SDDPCM server daemon will also healthcheck failed paths that are already opened. See Chapter 12, “Using the SDD server and the SDDPCM server,” on page 367 for more information.

AIX 5.2 ML07 (or later) or AIX 5.3 ML03 (or later) fibre-channel device driver features

SDDPCM supports the following fibre channel adapter driver features:

- Fast I/O failure of fibre channel devices
- Fibre-channel dynamic device tracking

Fast I/O failure of fibre-channel devices

The AIX fibre channel adapter driver supports the new `fc_err_recov` attribute in AIX. If enabled, this attribute can reduce the amount of time needed to fail I/O in certain conditions. By default, this attribute has a value of `delayed_fail`, which means that the fast failure is disabled.

To enable fast failure, you must perform the following steps:

1. Change all the children devices of `fscsiX` on your system to the defined state by running the command `'rmdev -l fscsiX -R'` for all adapters on your system
2. Enter the command `'chdev -l fscsiX -a fc_err_recov=fast_fail'` for all adapters on your system.
3. Enter `cfgmgr` to reconfigure all devices back to the available state.

You need to have the following Fibre Channel device driver APARs applied to your system in order to have all dynamic tracking and fast fail fixes:

APAR	Description
IY37183	Dynamic Tracking and Fast I/O Failure of Fibre Channel Devices
IY44139	Dynamic Tracking: PERM I/O errors after Host HBA Cable Pull
IY44142	Dynamic Tracking: I/O Hang after Host HBA Cable Pull

IY44342	Dynamic Tracking: ioctl call may fail after N_Port ID Change
IY44344	Dynamic Tracking: Back-to-Back Cable Move May Delay Error Recovery
IY45368	Fast Fail/Dynamic Tracking: FC Device Inaccessible after Move
IY46701	Dynamic Tracking & MPIO: Multiple Cable Swap Cause Path Failure

Fibre channel dynamic device tracking

Dynamic Tracking support allows for the following scenarios without I/O errors or loss of access:

- Combine two switches in two different SANS into one SAN by connecting the switches with a cable and cascading the switches.
- Change the supported storage device FC cable from one switch port to a different switch port; Disconnected cable must be reconnected within 15 seconds.
- Swap two supported storage device FC cables on the switch ports. The disconnected cables must be reconnected within 15 seconds.
- Swap two supported storage device FC cables on the supported storage device ports. The disconnected cables must be reconnected within 15 seconds.

Notes:

1. This 15 seconds window actually includes the time required to bring up the FC link after the cable is reconnected. For example, if it takes 4 seconds to bring up the FC link, then the time allowed to leave the cable disconnected is 11 seconds. I/O will fail if the cable is disconnected longer than 11 seconds.
2. Fibre-channel device dynamic tracking does not support the case when a cable is moved from one adapter on the supported storage device to another free, previously unseen adapter on the supported storage device. The reason is that the world wide port name (WWPN) will be different for that adapter, and the supported storage device cannot track that adapter. The WWPN must be a static identifier of a remote port.

AIX has added a new attribute that must be changed to enable dynamic tracking. By default, dynamic tracking is disabled. To enable dynamic tracking, you must do the following:

1. Change all the children devices of fscsiX on your system to the defined state by executing the **'rmdev -l fscsiX -R'** command for all adapters on your system.
2. Execute the **'chdev -l fscsiX -a dyntrk=yes'** command for all adapters on your system.
3. Execute **cfgmgr** to reconfigure all devices back to the available state.

For more information about Dynamic Tracking and Fast I/O Failure, refer to the AIX release notes at:

<http://publib.boulder.ibm.com/pseries/aixgen/relnotes/52RELNOTES/10073902.htm>

Installing APAR IY37183 also installs the file:

`/usr/lpp/bos/README.FIBRE-CHANNEL`

This file has more information about the Dynamic Tracking and Fast I/O Failure features.

Multipath SAN boot support

Configuring supported storage system MPIO devices as the SAN boot device

A supported storage MPIO device can be used as the system boot device. To configure the supported storage device boot device with the SDDPCM module:

1. Select one or more supported storage system devices as the boot device.
2. Install the appropriate AIX operating system on the selected supported storage devices. If the selected supported storage device is ESS, then the required operating system is AIX 5.2 ML06 (or later) or AIX 5.3 ML02 (or later). If the selected supported storage device is DS8000 or DS6000, then the required operating system is AIX 5.2 ML07 (or later) or AIX 5.3 ML 03 (or later).
3. Restart the system. The supported storage boot device is configured as an MPIO device with AIX default PCM.
4. Install the supported storage device host attachment for SDDPCM and SDDPCM packages.
5. To release scsi-2 reserve on boot devices, execute the **relbootsv** command . If you want to release non-rootvg scsi-2 reserves, the volume group name must be provided as a parameter. For example: **relbootsv vgrame**
6. Restart the system.

All supported storage MPIO devices, including supported storage MPIO SAN boot devices, are now configured with SDDPCM.

When you convert a boot device from the AIX default PCM to SDDPCM, if you failed to run the **relbootsv** command in step 5, you might encounter a problem where not all paths of boot device can be opened successfully. This problem occurs because the AIX default PCM has a default reserve policy of single-path (scsi-2). See “Migrating the supported storage SAN boot device or non-boot volume group from AIX default PCM to SDDPCM” on page 116 for information about solving this problem.

There is a known problem during the SAN boot configuration. After the system is restarted followed by the operating system installation on the supported storage MPIO devices, you might see that some paths of the rootvg are in Failed path state. This can happen even if the system is successfully restarted.

This problem is corrected in AIX 5.2 ML08 or above and AIX 5.3 ML04 or above. Apply the following APARs on these OS levels after the first reboot followed by the operating system installation:

- AIX 5.2 ML08 or above: apply APAR IY83717

- AIX 5.3 ML04 or above: apply APAR IY83847

No APAR is available to correct this problem on AIX 5.2L and AIX 5.3D. If you configure a SAN boot device with supported storage MPIO devices on one of these operating system levels and experience this problem, you can manually recover these failed paths by issuing one of the following commands:

- **chpath -s E -l hdiskX -p fscsiX**
- **pcmpath set device M path N online**

Migrating the supported storage SAN boot device or non-boot volume group from AIX default PCM to SDDPCM

The default reserve policy of the AIX base PCM is single-path policy, which is scsi-2 reserve. The path selection algorithm is *fail_over*, which means only one path is opened at a time and that path made scsi-2 reserve to the disk. All I/O is routed to this path. This reserve policy and path selection algorithm can cause problems if you build a volume group and file system with AIX default PCM and leave the volume groups active and file system mounted before restarting the system after the SDDPCM packages are installed.

After the system starts, you might see some paths in INVALID state. INVALID state means that the path failed to open. Only the paths that were opened previously with the AIX default PCM will be opened successfully. This is because the scsi-2 reserve is not released during the system restart; thus, only the paths previously opened with scsi-2 reserve can be opened after system restart. All the other paths cannot be opened because of a reservation conflict.

To prevent this problem from occurring on non-boot volume groups, you should perform one of the following actions:

- Switch from the AIX default PCM to SDDPCM before making any volume groups and file systems.
- To switch from the AIX default PCM to SDDPCM, unmount file systems and vary off the volume group of the AIX default PCM to release the scsi-2 reserve on the volume group before system restart.
- Execute **relbootrsv VGname** to release the scsi-2 reserve on the active, non-boot volume group devices before you restart the system.

If you have supported storage device SAN boot devices configured with AIX default PCM and the reserve policy is *single_path* (scsi-2 reserve), then switching the boot devices from AIX default PCM to SDDPCM will encounter this reservation conflict problem during device and path opening, leaving some paths in INVALID state. Use **relbootrsv** to release the scsi-2 reserve on SAN boot devices. After installing the SDDPCM host attachment package and the SDDPCM package, execute **relbootrsv** before you restart the system.

To use the **relbootrsv** command to release a non-SAN boot volume group, execute:

```
>relbootrsv VGname
```

To use the **relbootrsv** command to release a SAN boot volume group, execute:

```
>relbootrsv
```

relbootrsv will search for active SAN boot devices and release the scsi-2 reserve of the boot devices.

Support system dump device with the supported storage system MPIO device

You can choose a supported storage MPIO device to configure with the system primary and secondary dump devices. You can configure the system dump device with the supported storage device boot device, or with the non-boot device. The path selection algorithm for the system dump device will automatically default to *failover_only* when the system dump starts.

During the system dump, only one path is selected for dump requests. If the first path fails, then I/O is routed to the next path being selected.

You should apply all the APARs for AIX 5.2 ML08 and later, or AIX 5.3 ML04 and later.

Dynamically enabling and disabling paths or adapters

Dynamically enabling or disabling a path

There are three ways to dynamically enable (place online) or disable (place offline) a path:

1. Use the following **pcmpath** commands to change the path state:

pcmpath set device M path N online

or

pcmpath set device M path N offline

2. Use the path control commands provided by AIX.

AIX 5.2 ML04 (or later) or AIX 5.3 ML01 (or later) provides several new path control commands. These commands can be used to configure or remove paths, change path state (enable or disable), and display the path current state.

Use the following AIX path command to change the path state:

**chpath -l hdiskX -s EID -p fscsiX -w
"5005076300c99b0a,5200000000000000"**

3. Use the smitty MPIO management submenu.
 - a. Enter **smitty MPIO** and press **Enter**. This displays the MPIO Management panel.
 - b. Select MPIO Path Management and press **Enter**. This displays the MPIO Path Management panel.
 - c. Select Enable Paths or Disable paths to enable or disable paths.

Dynamically enabling or disabling an adapter

The SDDPCM **pcmpath** command can be used to enable (place online) or disable (place offline) an adapter.

To disable an adapter, use the following command:

pcmpath set adapter N offline

Note: SDDPCM reserves the last path of a device. This command will fail if there is any device using the last path attached to this adapter

Using the SDDPCM trace function

SDDPCM supports AIX trace function. The SDDPCM trace ID is 5A7. Trace ID 5A7 traces routine entry, exit, and error paths of the algorithm. To use it, manually turn on the trace function before the program starts to run, then turn off the trace function either after the program stops, or any time you need to read the trace report.

To start the trace function, enter:

```
trace -a -j 5A7
```

To stop the trace function, enter:

```
trcstop
```

To read the report, enter:

```
trcrpt l pg
```

To save the trace data to a file, enter:

```
trcrpt > filename
```

Note: To perform the SDDPCM trace function, you must have the bos.sysmgt.trace installation package installed on your system.

SDDPCM server daemon

The SDDPCM server (also referred to as *pcmsrv*) is an integrated component of SDDPCM 2.1.0.0 (or later). This component consists of a UNIX application daemon that is installed in addition to the SDDPCM path control module. The SDDPCM server daemon provides path-recovery function for SDDPCM devices. For detailed information about the SDDPCM server daemon, see Chapter 12, “Using the SDD server and the SDDPCM server,” on page 367.

Verifying if the SDDPCM server has started

After you have installed SDDPCM and restarted the system, verify if the SDDPCM server (**pcmsrv**) has automatically started by entering **lssrc -s pcmsrv**. If **pcmsrv** has automatically started, the output from the **lssrc -s pcmsrv** command looks like this:

```
+-----+
| Subsystem  GROUP  PID  Status |
| pcmsrv          NNN  Active |
+-----+
```

where *NNN* is the process ID number.

The status of **pcmsrv** should be Active if the SDDPCM server has automatically started. If the SDDPCM server has not started, the status will be *Inoperative*. Go to “Starting the SDDPCM server manually” on page 119 to proceed.

Because **pcmsrv** is bound to the SDDPCM kernel extension module, **pcmsrv** can fail to start if the SDDPCM is installed and the supported storage MPIO devices have not been configured yet. In this case, you can either restart the system or you can start **pcmsrv** manually after supported storage MPIO devices are configured.

Because **pcmsrv** is bound to the SDDPCM kernel extension module, in order to uninstall or upgrade SDDPCM, you must stop **pcmsrv** so that the SDDPCM kernel extension can be unloaded from the system. During an upgrade, the new SDDPCM kernel extension can be loaded into the system when supported storage MPIO devices are configured.

Starting the SDDPCM server manually

If **pcmsrv** did not start automatically after you performed the SDDPCM Installation and configured supported storage devices, you can start **pcmsrv** by entering:

```
startsrc -s pcmsrv.
```

Go to “Verifying if the SDDPCM server has started” on page 118 to see if you successfully started the SDDPCM server.

Stopping the SDDPCM server

You can temporarily disable **pcmsrv** by entering:

```
stopsrc -s pcmsrv.
```

This will stop the current version of **pcmsrv**, but **pcmsrv** will start again if the system is restarted.

SDDPCM server (**pcmsrv**) recovers paths for SDDPCM which are not recovered by the SDDPCM healthchecker. You should not stop **pcmsrv** permanently. However, in certain cases when you want to permanently (not to start even after a system restart) disable **pcmsrv**, you need to comment out the following line in the system init table (/etc/inittab):

```
srv:2:wait:/usr/bin/startsrc -s pcmsrv > /dev/null 2>&1
```

See Chapter 12, “Using the SDD server and the SDDPCM server,” on page 367 for information about the following tasks:

- Enabling or disabling a TCP/IP port for SDDPCM server (“Enabling or disabling the sddsrv or pcmsrv TCP/IP port” on page 369)
- Changing to a different port number for the SDDPCM server (“Changing the sddsrv or pcmsrv TCP/IP port number” on page 369)

SDDPCM utility programs

Persistent reserve command tools

Starting with SDD 2.1.0.0, SDDPCM supports two persistent reserve command tools. The following sections describe the persistent reserve command tools.

pcmquerypr

The **pcmquerypr** command provides a set of persistent reserve functions. This command supports the following persistent reserve service actions:

- Read persistent reservation key
- Release persistent reserve
- Preempt-abort persistent reserve
- Clear persistent reserve and registration keys

This command can be issued to all system MPIO devices, including MPIO devices not supported by SDDPCM.

The **pcmquerypr** command can be used in the following situation: the reserve policy of the SDDPCM MPIO devices is set to either persistent reserve exclusive host access (PR_exclusive) or persistent reserve shared host access (PR_shared), and persistent reserve has been left on the device by a node, blocking access by another node. The **pcmquerypr** command can be used in this situation to query, preempt, or clear the persistent reserve left by a node or server on the devices.

There are more cases when you might need this tool to solve persistent reserve related problems, such as unexpected persistent reserve left on devices because of failing to release the persistent reserve. Caution must be taken with the command, especially when implementing preempt-abort or clear persistent reserve service action. With preempt-abort service action not only the current persistent reserve key is preempted; it also aborts tasks on the LUN that originated from the initiators that are registered with the preempted key. With clear service action, both persistent reservation and reservation key registrations are cleared from the device.

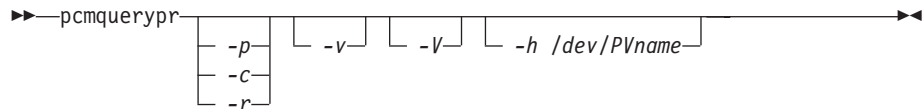
If you are running in a SAN File System environment, there might be special restrictions and considerations regarding use of SCSI Persistent Reserve or SCSI Reserve. Please consult the SAN File System documentation shown in “The SAN File System library” on page xxvi for more information.

The following information describes in detail the syntax and examples of the **pcmquerypr** command.

Description

The **pcmquerypr** command implements certain SCSI-3 persistent reservation commands on a device. The device can be a supported storage MPIO device. This command supports persistent reserve IN and OUT service actions, such as read, reservation key, release persistent reservation, preempt-abort persistent reservation, or clear persistent reservation and reservation key registrations.

Syntax



Flags:

- p** If the persistent reservation key on the device is different from the current host reservation key, the existing persistent reservation key on the device is preempted. This option can be issued only when the device is not already open.
- c** If there is a persistent reservation on the device, the persistent reservation is removed and all reservation key registrations on the device are cleared. This option can be issued only when the device is not already open.
- r** Removes the persistent reservation key on the device made by this host. This option can be issued only when the device is not already open.
- v** Displays the persistent reservation key if it exists on the device.
- V** Verbose mode. Prints detailed message.

Return code

If the command issued without options of -p, -r or -c, the command will return:

- 0 There is no persistent reservation key on the device, or the device is reserved by the current host
- 1 The persistent reservation key is different from the host reservation key
- 2 The command failed.

If the command issued with one of the options of -p, -r or -c, it returns:

- 0 The command was successful.
- 2 The command failed.

Examples

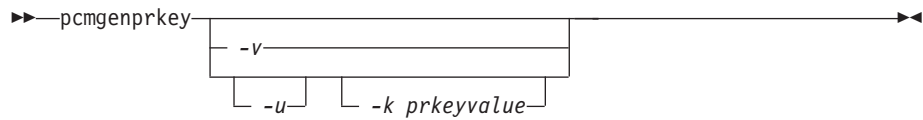
1. To query the persistent reservation on a device, enter **pcmquerypr -h /dev/hdisk30**.
This command queries the persistent reservation on the device without displaying. If there is a persistent reserve on a disk, it returns 0 if the device is reserved by the current host. It returns 1 if the device is reserved by another host.
2. To query and display the persistent reservation on a device, enter **pcmquerypr -vh /dev/hdisk30**.
Same as Example 1. In addition, it displays the persistent reservation key.
3. To release the persistent reservation if the device is reserved by the current host, enter **pcmquerypr -rh /dev/hdisk30**.
This command releases the persistent reserve if the device is reserved by the current host. It returns 0 if the command succeeds or the device is not reserved. It returns 2 if the command fails.
4. To reset any persistent reserve and clear all reservation key registrations, enter **pcmquerypr -ch /dev/hdisk30**.
This command resets any persistent reserve and clears all reservation key registrations on a device. It returns 0 if the command succeeds, or 2 if the command fails.
5. To remove the persistent reservation if the device is reserved by another host, enter **pcmquerypr -ph /dev/hdisk30**.
This command removes an existing registration and persistent reserve from another host. It returns 0 if the command succeeds or if the device is not persistent reserved. It returns 2 if the command fails.

pcmgenprkey

Description

| The **pcmgenprkey** command can be used to set or clear the
| PR_key_value ODM attribute for all SDDPCM MPIO devices. It also can be
| used to query and display the reservation policy of all SDDPCM MPIO
| devices and the persistent reserve key, if those devices have a PR key.

Syntax



Examples

1. To set the persistent reserve key to all SDDPCM MPIO devices with a provided key value, execute **pcmngenprkey -u -k 0x1234567890abcdef**. This will create a customized PR_key_value attribute with the provided key value for all SDDPCM MPIO devices, except the devices that already have the same customized PR key attribute. The provided key must contain either a decimal integer or a hexadecimal integer.
2. To clear the PR_key_value attribute from all SDDPCM MPIO devices, execute **pcmngenprkey -u -k none**.
3. To update the customized PR_key_value attribute with the HACMP-provided Preserve key or the output string from the **uname** command for all the SDDPCM MPIO devices, execute **pcmngenprkey -u**. When the **-u** option is used without the **-k** option, this command searches for the HACMP-provided Preservekey attribute and uses that value as the PR key if that attribute is available; otherwise, it uses the output string from the **uname** command as the PR key.
4. To display the reserve_policy, the PR_key_value attribute, and the persistent reserve key attribute of all the SDDPCM devices, execute **pcmngenprkey -v**. If the MPIO device does not have a persistent reserve key, a value of *none* is displayed.

Using SDDPCM pcmpath commands

SDDPCM provides commands that you can use to display the status of adapters that are used to access managed devices, to display the status of devices that the device driver manages, or to map supported storage MPIO devices or paths to a supported storage device location. You can also set individual path conditions either to online or offline, set all paths that are connected to an adapter either to online or offline, or set all paths that are connected to a supported storage device port or ports to online or offline. This section includes descriptions of these commands. Table 18 provides an alphabetical list of these commands, a brief description, and where to go in this chapter for more information.

Table 18. Commands

Command	Description	Page
pcmpath clear device count	Dynamically clears the error count or error/select counts to zero.	124
pcmpath disable ports	Places paths connected to certain ports offline.	125
pcmpath enable ports	Places paths connected to certain ports online.	125
pcmpath open device path	Opens an INVALID path.	129
pcmpath query adapter	Displays information about adapters.	131
pcmpath query adaptstats	Displays performance information for all FCS adapters that are attached to SDDPCM devices.	132
pcmpath query device	Displays information about devices.	133

Table 18. Commands (continued)

Command	Description	Page
pcmpath query devstats	Displays performance information for a single SDDPCM device or all SDDPCM devices.	135
pcmpath query essmap	Displays each device, path, location, and attributes.	137
pcmpath query portmap	Displays supported storage MPIO device port location.	138
pcmpath query version	Displays the version of the currently installed SDDPCM.	139
pcmpath query wwpn	Displays the world wide port name (WWPN) for all fibre-channel adapters.	140
pcmpath set adapter	Sets all device paths that are attached to an adapter to online or offline.	141
pcmpath set device path	Sets the path of a device to online or offline.	145
pcmpath set device algorithm	Set all or some of supported storage MPIO device path selection algorithm	142
pcmpath set device hc_interval	Set all or some of supported storage MPIO device health check time interval	143
pcmpath set device hc_mode	Set all or some of supported storage MPIO device health check mode	144

pcmpath clear device count

The **pcmpath clear device count** command dynamically sets the error counter or error/select counters to zero.

Syntax:

```
▶▶ pcmpath clear-device number 1-_____count-_____error-_____▶▶
                                     |_____|
                                     |device number 2|
                                     |_____|
                                     |all|
```

Parameters:

device number 1 <device number 2>

When two device numbers are entered, this command applies to all the devices whose index numbers fit within the range of these two device index numbers.

error

Clears the error counter of the specified SDDPCM MPIO device or devices.

all Clears both the select counter and the error counter of the specified SDDPCM MPIO device or devices.

Examples: If you have a non-zero select counter or error counter, entering the **pcmpath query device** command causes the following output to be displayed:

```
DEV#: 0 DEVICE NAME: hdisk0 TYPE: 2145 POLICY: Optimized
SERIAL: 600507680181006B20000000000000D1
=====
Path#    Adapter/Hard Disk      State   Mode   Select   Errors
0        fscsi0/hdisk15         CLOSE  NORMAL 53020    47
1        fscsi0/hdisk20         CLOSE  NORMAL 0         0
2        fscsi1/hdisk55         CLOSE  NORMAL 365742   0
3        fscsi1/hdisk60         CLOSE  NORMAL 0         0
```

If you enter the **pcmpath clear device 0 count all** command and then enter the **pcmpath query device** command, the following output is displayed:

```
DEV#: 0 DEVICE NAME: hdisk0 TYPE: 2145 POLICY: Optimized
SERIAL: 600507680181006B20000000000000D1
=====
Path#    Adapter/Hard Disk      State   Mode   Select   Errors
0        fscsi0/hdisk15         CLOSE  NORMAL 0         0
1        fscsi0/hdisk20         CLOSE  NORMAL 0         0
2        fscsi1/hdisk55         CLOSE  NORMAL 0         0
3        fscsi1/hdisk60         CLOSE  NORMAL 0         0
```

pcmpath disable ports

The **pcmpath disable ports** command sets SDDPCM MPIO device paths offline for the specified supported storage system location code.

Syntax:

```
▶▶—pcmpath disable ports—connection—ess essid—▶▶
```

Parameters:

connection

The connection code must be in one of the following formats:

- Single port = R1-Bx-Hy-Zz
- All ports on card = R1-Bx-Hy
- All ports on bay = R1-Bx

Use the output of the **pcmpath query essmap** command to determine the connection code.

essid

The supported storage device serial number, given by the output of **pcmpath query portmap** command.

Examples: If you enter the **pcmpath disable ports R1-B1-H3 ess 12028** command and then enter the **pcmpath query device** command, the following output is displayed:

```
DEV#: 3 DEVICE NAME: hdisk3 TYPE: 2105E20 ALGORITHM: Load Balance
SERIAL: 20712028
=====
Path#          Adapter/Path Name      State  Mode    Select  Errors
0              fscsi0/path0          CLOSE OFFLINE    6         0
1              fscsi0/path1          CLOSE  NORMAL    9         0
2              fscsi1/path2          CLOSE OFFLINE   11         0
3              fscsi1/path3          CLOSE  NORMAL    9         0

DEV#: 4 DEVICE NAME: hdisk4 TYPE: 2105E20 ALGORITHM: Load Balance
SERIAL: 20712028
=====
Path#          Adapter/Path Name      State  Mode    Select  Errors
0              fscsi0/path0          CLOSE OFFLINE  8702         0
1              fscsi0/path1          CLOSE  NORMAL  8800         0
2              fscsi1/path2          CLOSE OFFLINE  8816         0
3              fscsi1/path3          CLOSE  NORMAL  8644         0

DEV#: 5 DEVICE NAME: hdisk5 TYPE: 2105E20 ALGORITHM: Load Balance
SERIAL: 20912028
=====
Path#          Adapter/Path Name      State  Mode    Select  Errors
0              fscsi0/path0          CLOSE OFFLINE  8917         0
1              fscsi0/path1          CLOSE  NORMAL  8919         0
2              fscsi1/path2          CLOSE OFFLINE  9008         0
3              fscsi1/path3          CLOSE  NORMAL  8944         0

DEV#: 6 DEVICE NAME: hdisk6 TYPE: 2105E20 ALGORITHM: Load Balance
SERIAL: 20B12028
=====
Path#          Adapter/Path Name      State  Mode    Select  Errors
0              fscsi0/path0          CLOSE OFFLINE  9044         0
1              fscsi0/path1          CLOSE  NORMAL  9084         0
2              fscsi1/path2          CLOSE OFFLINE  9048         0
3              fscsi1/path3          CLOSE  NORMAL  8851         0
```

DEV#: 7 DEVICE NAME: hdisk7 TYPE: 2105E20 ALGORITHM: Load Balance
SERIAL: 20F12028

```
=====
Path#      Adapter/Path Name      State   Mode   Select  Errors
  0         fscsi0/path0           CLOSE  OFFLINE  9089     0
  1         fscsi0/path1           CLOSE  NORMAL   9238     0
  2         fscsil/path2           CLOSE  OFFLINE  9132     0
  3         fscsil/path3           CLOSE  NORMAL   9294     0
```

DEV#: 8 DEVICE NAME: hdisk8 TYPE: 2105E20 ALGORITHM: Load Balance
SERIAL: 21012028

```
=====
Path#      Adapter/Path Name      State   Mode   Select  Errors
  0         fscsi0/path0           CLOSE  OFFLINE  9059     0
  1         fscsi0/path1           CLOSE  NORMAL   9121     0
  2         fscsil/path2           CLOSE  OFFLINE  9143     0
  3         fscsil/path3           CLOSE  NORMAL   9073     0
```

pcmpath enable ports

The **pcmpath enable ports** command sets MPIO device paths online for the specified supported storage device location code.

Syntax:

```
▶▶—pcmpath enable ports—connection—ess essid————▶▶
```

Parameters:

connection

The connection code must be in one of the following formats:

- Single port = R1-Bx-Hy-Zz
- All ports on card = R1-Bx-Hy
- All ports on bay = R1-Bx

Use the output of the **pcmpath query essmap** command to determine the connection code.

essid

The supported storage device serial number, given by the output of **pcmpath query portmap** command.

Examples: If you enter the **pcmpath enable ports R1-B1-H3 ess 12028** command and then enter the **pcmpath query device** command, the following output is displayed:

```
DEV#: 3 DEVICE NAME: hdisk3 TYPE: 2105E20 ALGORITHM: Load Balance
SERIAL: 20112028
```

```
=====
Path#          Adapter/Path Name      State   Mode    Select  Errors
0              fscsi0/path0          CLOSE  NORMAL    6        0
1              fscsi0/path1          CLOSE  NORMAL    9        0
2              fscsi1/path2          CLOSE  NORMAL   11        0
3              fscsi1/path3          CLOSE  NORMAL    9        0
```

```
DEV#: 4 DEVICE NAME: hdisk4 TYPE: 2105E20 ALGORITHM: Load Balance
SERIAL: 20712028
```

```
=====
Path#          Adapter/Path Name      State   Mode    Select  Errors
0              fscsi0/path0          CLOSE  NORMAL   8702     0
1              fscsi0/path1          CLOSE  NORMAL   8800     0
2              fscsi1/path2          CLOSE  NORMAL   8816     0
3              fscsi1/path3          CLOSE  NORMAL   8644     0
```

```
DEV#: 5 DEVICE NAME: hdisk5 TYPE: 2105E20 ALGORITHM: Load Balance
SERIAL: 20912028
```

```
=====
Path#          Adapter/Path Name      State   Mode    Select  Errors
0              fscsi0/path0          CLOSE  NORMAL   8917     0
1              fscsi0/path1          CLOSE  NORMAL   8919     0
2              fscsi1/path2          CLOSE  NORMAL   9008     0
3              fscsi1/path3          CLOSE  NORMAL   8944     0
```

```
DEV#: 6 DEVICE NAME: hdisk6 TYPE: 2105E20 ALGORITHM: Load Balance
SERIAL: 20B12028
```

```
=====
Path#          Adapter/Path Name      State   Mode    Select  Errors
0              fscsi0/path0          CLOSE  NORMAL   9044     0
1              fscsi0/path1          CLOSE  NORMAL   9084     0
2              fscsi1/path2          CLOSE  NORMAL   9048     0
3              fscsi1/path3          CLOSE  NORMAL   8851     0
```

DEV#: 7 DEVICE NAME: hdisk7 TYPE: 2105E20 ALGORITHM: Load Balance
SERIAL: 20F12028

```
=====
```

Path#	Adapter/Path Name	State	Mode	Select	Errors
0	fscsi0/path0	CLOSE	NORMAL	9089	0
1	fscsi0/path1	CLOSE	NORMAL	9238	0
2	fscsi1/path2	CLOSE	NORMAL	9132	0
3	fscsi1/path3	CLOSE	NORMAL	9294	0

DEV#: 8 DEVICE NAME: hdisk8 TYPE: 2105E20 ALGORITHM: Load Balance
SERIAL: 21012028

```
=====
```

Path#	Adapter/Path Name	State	Mode	Select	Errors
0	fscsi0/path0	CLOSE	NORMAL	9059	0
1	fscsi0/path1	CLOSE	NORMAL	9121	0
2	fscsi1/path2	CLOSE	NORMAL	9143	0
3	fscsi1/path3	CLOSE	NORMAL	9073	0

pcmpath open device path

The **pcmpath open device path** command dynamically opens a path that is in Invalid state. You can use this command to open an Invalid path even when I/O is actively running on the devices.

Syntax:

```
▶▶—pcmpath open device—device number—path—path number————▶▶
```

Parameters:

device number

The logical device number of this hdisk, as displayed by the **pcmpath query device** command.

path number

The path id that you want to change, as displayed by the **pcmpath query device** command.

Examples: If you enter the **pcmpath query device 23** command, the following output is displayed:

```
DEV#: 23 DEVICE NAME: hdisk23 TYPE: 2105E20 ALGORITHM: Load Balance
SERIAL: 20112028
```

```
=====
Path#   Adapter/Path Name  State   Mode   Select  Errors
  0     fscsi1/path0       OPEN    NORMAL 557     0
  1     fscsi1/path1       OPEN    NORMAL 568     0
  2     fscsi0/path2       INVALID NORMAL  0       0
  3     fscsi0/path3       INVALID NORMAL  0       0
```

Note that the current state of path 2 is INVALID.

If you enter the **pcmpath open device 23 path 2** command, the following output is displayed:

```
Success: device 23 path 2 opened
```

```
DEV#: 23 DEVICE NAME: hdisk23 TYPE: 2105E20 ALGORITHM: Load Balance
SERIAL: 20112028
```

```
=====
Path#   Adapter/Path Name  State   Mode   Select  Errors
  0     fscsi1/path0       OPEN    NORMAL 557     0
  1     fscsi1/path1       OPEN    NORMAL 568     0
  2     fscsi0/path2       OPEN    NORMAL  0       0
  3     fscsi0/path3       INVALID NORMAL  0       0
```

After issuing the **pcmpath open device 23 path 2** command, the state of path 2 becomes OPEN.

The terms used in the output are defined as follows:

Dev# The logical device number of this hdisk.

Device name

The name of this device.

Type The device product ID from inquiry data.

Algorithm

The current path selection algorithm for the device. The algorithm selected is one of the following: load balancing, round robin, or failover.

Serial The LUN for this device.

Path# The path id displayed by the **pcmpath query device** command.

Adapter

The name of the adapter to which the path is attached.

Hard Disk

The name of the logical device to which the path is bound.

State The condition of each path of the named device:

Open Path is in use.

Close Path is not being used.

Close_Failed Path is broken and is not being used.

Failed Path is opened, but no longer functional because of error.

Invalid The path failed to open.

Mode The mode of the named path, which is either *Normal* or *Offline*.

Select The number of times this path was selected for input and output.

Errors The number of input and output errors that occurred on this path.

pcmpath query adapter

The **pcmpath query adapter** command displays information about a single adapter or all adapters that are attached to SDDPCM-configured MPIO devices.

Syntax:

►—pcmpath query adapter—*adapter number*—►

Parameters:

adapter number

The index number of the adapter for which you want information displayed. If you do not enter an adapter index number, information about all adapters is displayed.

Examples: If you enter the **pcmpath query adapter** command, the following output is displayed:

Active Adapters :2

Adpt#	Name	State	Mode	Select	Errors	Paths	Active
0	fscsi2	NORMAL	ACTIVE	920506	0	80	38
1	fscsi0	NORMAL	ACTIVE	921100	0	80	38

The terms used in the output are defined as follows:

Adpt #

The index number of the adapter.

Name The name of the adapter.

State The condition of the named adapter. It can be either:

Normal Adapter is in use.

Degraded One or more opened paths are not functioning.

Failed All opened paths that are attached to this adapter are not functioning.

Mode The mode of the named adapter, which is either *Active* or *Offline*.

Select The number of times this adapter was selected for input or output.

Errors The number of errors that occurred on all paths that are attached to this adapter.

Paths The number of paths that are attached to this adapter.

Active The number of functional paths that are attached to this adapter. The number of functional paths is equal to the number of opened paths attached to this adapter minus any that are identified as failed or disabled (offline).

pcmpath query adaptstats

The **pcmpath query adaptstats** command displays information about a single or all fibre-channel adapters that are attached to SDDPCM-configured MPIO devices. If you do not enter a device number, information about all devices is displayed.

Syntax:

```
▶▶—pcmpath query adaptstats—adapter number—————▶▶
```

Parameters:

adapter number

The index number of the adapter for which you want information displayed. If you do not enter an adapter index number, information about all adapters is displayed.

Examples: If you enter the **pcmpath query adaptstats 0** command, the following output is displayed:

```
Adapter #: 0
=====
                Total Read  Total Write  Active Read  Active Write  Maximum
I/O:             1105909      78           3             0             11
SECTOR:          8845752       0           24            0             88
Adapter #: 1
=====
                Total Read  Total Write  Active Read  Active Write  Maximum
I/O:             1442        78           3             0             11
SECTOR:          156209       0           24            0             88

/*-----*/
```

The terms used in the output are defined as follows:

Total Read

- I/O: total number of completed Read requests
- SECTOR: total number of sectors that have been read

Total Write

- I/O: total number of completed Write requests
- SECTOR: total number of sectors that have been written

Active Read

- I/O: total number of Read requests in process
- SECTOR: total number of sectors to read in process

Active Write

- I/O: total number of Write requests in process
- SECTOR: total number of sectors to write in process

Maximum

- I/O: the maximum number of queued I/O requests
- SECTOR: the maximum number of queued sectors to Read or Write

pcmpath query device

The **pcmpath query device** command displays information about a single SDDPCM MPIO device, a specific model of SDDPCM MPIO devices, or all SDDPCM MPIO devices. If you do not enter a device number, information about all devices is displayed. If a device number is entered, then the command will display the device information about the hdisk that is associated with this number.

Starting from SDDPCM 2.1.0.7, a new option, **-d**, is provided to display devices of a particular device model. The valid device models are:

- 2105 - Display all 2105 models (ESS)
- 2107 - Display all 2107 models (DS8000)
- 1750 - Display all 1750 models (DS6000)
- 2145 - Display all 2145 models (SAN Volume Controller)

Starting with SDDPCM 2.1.0.7, a new feature is available to verify SAN configurations in a controller environment, such as DS6000 or SAN Volume Controller. A non-preferred path will be marked with “**”.

For example, if you configure 4 paths per MPIO hdisk device and you want to configure an equal distribution between preferred controller and non-preferred controller of DS6000 devices, you can configure your environment with 2 paths connected to a preferred controller and 2 paths connected to a non-preferred controller. This feature will help you verify your configuration by indicating which path is connected to the non-preferred controller before the device starts operation.

Note: You must open SDDPCM MPIO devices once before the ‘**’ mark on non-preferred paths can be displayed in following 3 commands:

- **pcmpath query device**
- **pcmpath query essmap**
- **pcmpath query portmap**

The **pcmpath query device** commands displays only supported storage MPIO devices that are configured with the SDDPCM module. Any AIX internal disks or non-SDDPCM-configured supported storage MPIO devices will not be displayed.

Syntax:

```
▶▶—pcmpath query device [ device number ] —————▶▶  
                        [ -d device model ]
```

Parameters:

device number

The device number refers to the logical device number of the hdisk.

device model

Displays devices of a particular device model. The valid device models are:

- 2105 - Display all 2105 models (ESS)
- 2107 - Display all 2107 models (DS8000)
- 1750 - Display all 1750 models (DS6000)
- 2145 - Display all 2145 models (SAN Volume Controller)

Examples: If you enter the **pcmpath query device 5** command, the following output is displayed:

For supported storage device:

```
DEV#: 0  DEVICE NAME: hdisk5  TYPE: 1750500  ALGORITHM:Load Balance
SERIAL: 13AAAKA1200
```

```
=====
Path#   Adapter/Hard Disk   State   Mode     Select   Errors
-----
0*      fscsi1/hdisk5      OPEN    NORMAL   0        0
1       fscsi0/hdisk5      OPEN    NORMAL   5571118  0
2*      fscsi0/hdisk5      OPEN    NORMAL   0        0
3       fscsi1/hdisk5      OPEN    NORMAL   5668419  0
```

The terms used in the output are defined as follows:

Dev# The logical device number of this hdisk.

Name The logical name of this device.

Type The device product ID from inquiry data.

Algorithm

The current path selection algorithm selected for the device. The algorithm selected is one of the following: load balancing, round robin, or failover

Serial The LUN for this device.

Path The path ID.

Adapter

The name of the adapter to which the path is attached.

Path Name

The name of the path.

State The condition of the path attached to the named device:

Open Path is in use.

Close Path is not being used.

Failed Path is no longer being used. It has been removed from service due to errors.

Close_Failed

Path was detected to be broken and failed to open when the device was opened. The path stays in Close_Failed state when the device is closed.

Invalid

The path is failed to open, but the MPIO device is opened.

Mode The mode of the named path. The mode can be either *Normal* or *Offline*.

Select The number of times this path was selected for input or output.

Errors The number of input and output errors that occurred on a path of this device.

pcmpath query devstats

The **pcmpath query devstats** command displays performance information for a single SDDPCM MPIO device or all SDDPCM MPIO devices. If you do not enter a device number, information about all devices is displayed. If a device number is entered, then the command will display the device information about the hdisk that is associated with this number.

The **pcmpath query devstats** command displays only SDDPCM MPIO devices. Any AIX internal disks or non-SDDPCM configured MPIO devices will not be displayed

Syntax:

```
▶▶—pcmpath query devstats [ device number ] [ -d device model ] ▶▶
```

Parameters:

device number

The device number refers to the logical device number of the hdisk.

device model

Displays devices of a particular device model. The valid device models are:

- 2105 - Display all 2105 models (ESS)
- 2107 - Display all 2107 models (DS8000)
- 1750 - Display all 1750 models (DS6000)
- 2145 - Display all 2145 models (SAN Volume Controller)

Examples: If you enter the **pcmpath query devstats 2** command, the following output about hdisk2 is displayed:

```
DEV#: 2 DEVICE NAME: hdisk2
=====
                Total Read  Total Write  Active Read  Active Write  Maximum
I/O:                60         10           0             0             2
SECTOR:              320          0           0             0            16

Transfer Size:      <= 512      <= 4k       <= 16K       <= 64K       > 64K
                   30          40          0             0             0
/*-----*/
```

The terms used in the output are defined as follows:

Total Read

- I/O: total number of completed Read requests
- SECTOR: total number of sectors that have been read

Total Write

- I/O: total number of completed Write requests
- SECTOR: total number of sectors that have been written

Active Read

- I/O: total number of Read requests in process
- SECTOR: total number of sectors to read in process

Active Write

- I/O: total number of Write requests in process

- SECTOR: total number of sectors to write in process

Maximum

- I/O: the maximum number of queued I/O requests
- SECTOR: the maximum number of queued sectors to Read or Write

Transfer size

- <= 512: the number of I/O requests received, whose transfer size is 512 bytes or less
- <= 4k: the number of I/O requests received, whose transfer size is 4 KB or less (where KB equals 1024 bytes)
- <= 16K: the number of I/O requests received, whose transfer size is 16 KB or less (where KB equals 1024 bytes)
- <= 64K: the number of I/O requests received, whose transfer size is 64 KB or less (where KB equals 1024 bytes)
- > 64K: the number of I/O requests received, whose transfer size is greater than 64 KB (where KB equals 1024 bytes)

pcmpath query essmap

The **pcmpath query essmap** command displays data collected from the **fcppcmmap** program after the system has been restarted, or by the **pcmpath** program if any device configuration change occurs after the system has been restarted. The **fcppcmmap** program issues SCSI commands directly to the disks to collect the information that is displayed.

Syntax:

►►—pcmpath query essmap—►►

Examples: If you enter the **pcmpath query essmap** command, the following output is displayed:

Disk	Path	P	Location	adapter	LUN SN	Type	Size	LSS	Vol	Rank	C/A	S ...
hdisk5	path0	*	30-60-01[FC]	fscsi1	13AAAKA1200	IBM 1750-500	1.1	18	0	0000	01	Y ...
hdisk5	path1		30-60-01[FC]	fscsi0	13AAAKA1200	IBM 1750-500	1.1	18	0	0000	01	Y ...
hdisk5	path2	*	20-60-01[FC]	fscsi0	13AAAKA1200	IBM 1750-500	1.1	18	0	0000	01	Y ...
hdisk5	path3		20-60-01[FC]	fscsi1	13AAAKA1200	IBM 1750-500	1.1	18	0	0000	01	Y ...

The terms used in the output are defined as follows:

Disk	The logical device name assigned by the host.
Path	The logical path name of a MPIO device.
P	Indicates the logical paths and whether the path is preferred and non-preferred. "*" indicates that the path is a non-preferred path.
Location	The physical location code of the host adapter through which the LUN is accessed.
Adapter	The logical adapter name assigned by the host LUN.
LUN SN	The unique serial number for each LUN within the supported storage device.
Type	The device and model.
Size	The capacity of the configured LUN.
LSS	The logical subsystem where the LUN resides.
Vol	The volume number within the LSS.
Rank	The unique identifier for each RAID array within the supported storage device.
C/A	The cluster and adapter accessing the array.
S	Indicates that the device is shared by two and more supported storage device ports. Valid values are <i>yes</i> or <i>no</i> .
Connection	The physical location code of supported storage device adapter through which the LUN is accessed.
Port	The supported storage device port through which the LUN is accessed.
RaidMode	The disk RAID mode.

pcmpath query portmap

The **pcmpath query portmap** command displays hdisk status from a supported storage device physical location code perspective.

Syntax:

►►—pcmpath query portmap—►►

Examples: If you enter the **pcmpath query portmap** command, the following output is displayed:

```

          BAY-1(B1)          BAY-2(B2)          BAY-3(B3)          BAY-4(B4)
    ESSID  DISK      H1 H2 H3 H4      H1 H2 H3 H4      H1 H2 H3 H4      H1 H2 H3 H4
          ABCD ABCD ABCD ABCD      ABCD ABCD ABCD ABCD      ABCD ABCD ABCD ABCD      ABCD ABCD ABCD ABCD
          BAY-5(B5)          BAY-6(B6)          BAY-7(B7)          BAY-8(B8)
          H1 H2 H3 H4      H1 H2 H3 H4      H1 H2 H3 H4      H1 H2 H3 H4
          ABCD ABCD ABCD ABCD      ABCD ABCD ABCD ABCD      ABCD ABCD ABCD ABCD      ABCD ABCD ABCD ABCD

    13AAAKA hdisk5 0--- ---- ---- ----      o--- ---- ---- ----      ---- ---- ---- ----      ---- ---- ---- ----
    13AAAKA hdisk6 Y--- ---- ---- ----      y--- ---- ---- ----      ---- ---- ---- ----      ---- ---- ---- ----

    Y = online/open          y = (alternate path) online/open
    O = online/closed        o = (alternate path) online/closed
    N = offline              n = (alternate path) offline
    - = path not configured
    PD = path down
  
```

The terms used in the output are defined as follows:

- Y** The port is online and open, meaning that at least one path attached to this port is functional.
- y** Paths connected to this port are non-preferred paths. The port is online and open, meaning that at least one path attached to this port is functional.
- O** The port is online and closed, meaning that at least one path state and mode is closed and online.
- o** Paths connected to this port are non-preferred paths. The port is online and closed, meaning that at least one path state and mode is closed and online.
- N** The port is offline, meaning that all paths attached to this port are offline.
- n** Paths connected to this port are non-preferred paths. The port is offline, meaning that all paths attached to this port are offline.
- The path is not configured.
- PD** The path is down. It is either not functional or has been placed offline.

Note: The following fields apply only 1750 devices and can only be shown after the device is opened once:

- y
- o
- n

The serial number of ESS devices is five digits, whereas the serial number of DS6000 and DS8000 devices is seven digits.

datapath query version

The **pcmpath query version** command displays the version of SDDPCM that is installed.

Syntax:

▶▶—pcmpath query version—————▶▶

Parameters: None

Examples: If you enter the **pcmpath query version** command, the following output is displayed:

```
[root@abc]> pcmpath query version
IBM SDDPCM Version 2.1.1.0 (devices.sddpcm.52.rte)
```

pcmpath query wwpn

The **pcmpath query wwpn** command displays the World Wide Port Name (WWPN) of the host fibre-channel adapters.

Syntax:

▶▶—pcmpath query wwpn—————▶▶

Parameters: None

Examples: If you enter the **pcmpath query wwpn** command, the following output is displayed:

Adapter Name	PortWWN
fscsi0	10000000C925F5B0
fscsi1	10000000C9266FD1

pcmpath set adapter

The **pcmpath set adapter** command sets all device paths attached to an adapter either to online or offline. SDDPCM reserves the last path of a device if the device is opened. This command will fail if there is any device that has the last path attached to this adapter. If all paths of a device are attached to a single fibre-channel adapter that connects to multiple storage ports through a switch, the **pcmpath set adapter 0 offline** command will fail, because the device will lose all its paths.

Attention: If the device is closed, the **pcmpath set adapter offline** command does not have the last path offline protection.

Syntax:

```
▶▶—pcmpath set adapter—adapter number [ online | offline ] ▶▶
```

Parameters:

adapter number

The index number of the adapter that you want to change.

online

Enables the adapter for service.

offline

Disables the adapter from service.

Examples: If you enter the **pcmpath set adapter 0 offline** command:

- Adapter 0 changes to *Offline* mode and, if there are some paths in the opened state, its state might change to *failed*.
- All paths attached to adapter 0 change to *Offline* mode and their states change to *Dead*, if they were in the *Open* state.

pcmpath set device algorithm

The **pcmpath set device algorithm** command dynamically changes the path selection algorithm per MPIO device.

Syntax:

```
▶▶—pcmpath set device— num1—└─┬─┘—algorithm-option—▶▶  
└─┬─┘  
  num2
```

Note: If device reserve policy is set to `single_path` (`scsi-2` reserve), then the device algorithm must be set to `fail_over`. Any attempt to set algorithm to `round_robin` or `load_balance` with `single_path` reserve policy will fail.

Parameters:

num1 [*num2*]

- When only *num1* is specified, then the command applies to the hdisk specified by *num1*.
- When 2 device logical numbers are entered, this command applies to all the devices whose logical numbers fit within the range of the two device logical numbers.

option

Specifies one of the following path selection algorithms:

- **rr**, where *rr* indicates round robin
- **lb**, where *lb* indicates load balancing
- **fo**, where *fo* indicates failover policy

Note: You can enter the **pcmpath set device *N* algorithm *rr/fo/lb*** command to dynamically change to the path selection algorithm associated with SDDPCM MPIO devices that are in either Close or Open state.

Examples: If you enter **pcmpath set device 2 10 algorithm rr**, the path-selection algorithm of hdisk 2 to hdisk 10 is immediately changed to the round robin algorithm.

pcmpath set device hc_mode

The **pcmpath set device hc_mode** command dynamically changes the MPIO device health check mode.

Syntax:

```
▶▶—pcmpath set device— num1—└ num2 ┘—hc_mode—option—▶▶
```

Parameters:

num1 [*num2*]

- When only *num1* is specified, then the command applies to the hdisk specified by *num1*.
- When 2 device logical numbers are entered, this command applies to all the devices whose logical numbers fit within the range of the two device logical numbers.

option

Specifies one of the following policies:

- **enabled**, indicates the health check command will be sent to paths that are opened with a normal path mode.
- **failed**, indicates the health check command will be sent to paths that are in failed state.
- **nonactive**, indicates the health check command will be sent to paths that have no active I/O. This includes paths that are opened or in failed state.

Examples: If you enter **pcmpath set device 2 10 hc_mode enabled**, the health check mode of MPIO hdisk2 to hdisk10 is immediately changed to the enabled mode.

pcmpath set device path

The **pcmpath set device path** command sets the path of a device either to *online* or *offline*. You cannot remove the last path to an opened device from service. This prevents a data access failure from occurring.

Attention: If the device is closed, the **pcmpath set adapter offline** command does not have the last path offline protection.

Syntax:

```
▶▶—pcmpath set device—device number—path—path number—online  
offline▶▶
```

Parameters:

device number

The logical device number of the hdisk.

path number

The path id that you want to change.

online

Enables the path for service.

offline

Disables the path from service.

Examples: If you enter the **pcmpath set device 5 path 0 offline** command, path 0 for device 5 changes to Offline mode.

Summary of command syntax

SDDPCM supports the following **pcmpath** commands:

- **datapath clear device** <n>/(<m> <n>) **count error/all**
- **pcmpath query adapter** [n]
- **pcmpath query adaptstats** [n]
- **pcmpath query device** [n / -d <device_model>
- **pcmpath query devstats** [n / -d <device_model>]
- **pcmpath set adapter** n **online | offline**
- **pcmpath set device** M **path** N **online | offline**
- **pcmpath set device** <n1> [n2] **algorithm** <option>
- **pcmpath set device** <n1> [n2] **hc_interval** <t>
- **pcmpath set device** <n1> [n2] **hc_mode** <option>
- **pcmpath disable port** <location> **ess** <essid>
- **pcmpath enable port** <location> **ess** <essid>
- **pcmpath open device** <m> **path** <n>
- **pcmpath query essmap**
- **pcmpath query portmap**
- **pcmpath query wwpn**
- **pcmpath query version**

Note: If the commands are used for a device, then the *n* is the number of the device logical name. For example, **pcmpath query devstats 3** queries the device statistics for hdisk3.

If the commands are used for adapter, then the *n* is the index of the adapter. For example, **pcmpath query adapter 2** queries the adapter statistics for the third adapter in adapter list order, which can be fscsi5.

Chapter 4. Using SDD on a HP-UX host system

This chapter provides step-by-step procedures for you to install, configure, remove, and use SDD on a Hewlett-Packard (HP-UX) host system that is attached to supported storage devices. SDD 1.4.0.4 supports the all supported storage devices.

For updated and additional information that is not included in this manual, please see the Readme file on the CD-ROM or go to SDD Web site at:

www.ibm.com/servers/storage/support/software/sdd

Verifying the hardware and software requirements

You must install the following hardware and software components to ensure that SDD installs and operates successfully.

Hardware

The following hardware components are needed:

- One or more of the supported storage devices.
- For ESS devices: at least one SCSI host adapter (two are required for load balancing and failover)

To install SDD and use the input/output (I/O) load-balancing and failover features, you need a minimum of two SCSI or fibre-channel adapters.

A host system with a single fibre-channel adapter that connects through a switch to multiple ESS ports is considered to have multiple fibre-channel SDD vpath devices.

For information on the fibre-channel adapters that can be used on your HP-UX host system go to:

www.ibm.com/servers/storage/support/software/sdd

- A SCSI cable to connect each SCSI host adapter to a storage system controller port
- Subsystem LUNs that have been created and confirmed for multiport access
- A fiber-optic cable to connect each fibre-channel adapter to a supported storage device port

Software

SDD supports the following HP-UX kernel levels:

SDD-supported HP-UX kernel levels

SDD supports:

- HP-UX 11.0 64-bit
- HP-UX 11.11 (11i) 32-bit and 64-bit
- HP-UX 11.23 (11i v2) PA_RISC 64-bit and IA 64-bit

Ensure that the patches listed in Table 20 on page 149 or newer patches are installed on your HP-UX host system.

Unsupported environments

SDD does not support the following environments:

- HP-UX 11.0 32-bit kernel

- A system start from an SDD pseudo device
- A system paging file on an SDD pseudo device
- A host system with both a SCSI and fibre-channel connection to a shared LUN
- Single-path mode during concurrent download of licensed machine code nor during any disk storage system concurrent maintenance that impacts the path attachment, such as a disk storage system-host-bay-adapter replacement
- Single-path configuration for fibre channel
- DS8000 and DS6000 with SCSI connectivity

Understanding how SDD works on an HP-UX host system

SDD resides above the HP SCSI disk driver (sdisk) in the protocol stack. For more information about how SDD works, see “The SDD architecture” on page 2.

Preparing for SDD installation

Before you install SDD, you must configure the supported storage devices to your host system and attach the required SCSI or fibre-channel adapters.

Configuring the disk storage system

Before you install SDD, configure your ESS for single-port or multiport access for each LUN. SDD requires a minimum of two independent paths that share the same logical unit to use the load-balancing and path-failover-protection features. **With a single path, failover protection is not provided.**

For information about configuring your ESS, refer to the *IBM TotalStorage Enterprise Storage Server Introduction and Planning Guide*.

Configuring the virtualization products

Before you install SDD, configure your SAN Volume Controller devices for single-port or multiport access for each LUN. SDD requires a minimum of two independent paths that share the same logical unit to use the load-balancing and path-failover-protection features. **With a single path, failover protection is not provided.**

For information about configuring your SAN Volume Controller, refer to the *IBM System Storage Virtualization Family: SAN Volume Controller Configuration Guide*.

Planning for installation

Before you install SDD on your HP-UX host system, you need to understand what kind of software runs on your host. The way you install SDD depends on the kind of software that you are running. Two types of special device files are supported:

- Block device files
- Character device files

There are three possible scenarios for installing SDD. The scenario you choose depends on the kind of software that you have installed:

Table 19 on page 149 further describes the various installation scenarios and how you should proceed.

Table 19. SDD installation scenarios

Installation scenario	Description	How to proceed
Scenario 1	<ul style="list-style-type: none"> SDD is not installed. The SDD server for Expert is installed. No software application or DBMS communicates directly to sdisk interface. 	Go to: <ol style="list-style-type: none"> “Determining if the SDD 1.3.1.5 (or later) server for Expert is installed” “Installing SDD” on page 150 “Standard UNIX applications” on page 166
Scenario 2	<ul style="list-style-type: none"> SDD is not installed. The SDD server for Expert is installed. An existing application package or DBMS communicates directly to the sdisk interface. 	Go to: <ol style="list-style-type: none"> “Determining if the SDD 1.3.1.5 (or later) server for Expert is installed” “Installing SDD” on page 150 “Using applications with SDD” on page 166
Scenario 3	<ul style="list-style-type: none"> SDD is installed. The SDD server for Expert is installed. 	Go to <ol style="list-style-type: none"> “Determining if the SDD 1.3.1.5 (or later) server for Expert is installed” “Upgrading SDD” on page 151

Table 20. Patches necessary for proper operation of SDD on HP-UX

HP-UX	Patch bundles
11.23	March 06, standard patch bundles
11.11	September 05, support plus
11.0	March 04, support plus

Refer to <http://itrc.hp.com> for patch details and prerequisites for patches.

Determining if the SDD 1.3.1.5 (or later) server for Expert is installed

If you previously installed the SDD server (the standalone version) for IBM TotalStorage Expert V2R1 (ESS Expert) on your HP-UX host system, you must remove this standalone version of the SDD server before you proceed with SDD 1.3.1.5 installation. The installation package for SDD 1.3.1.5 includes the SDD server daemon (also referred to as `sddsrv`), which incorporates the functionality of the standalone version of the SDD server (for ESS Expert).

To determine if the standalone version of the SDD server is installed on your host system, enter:

swlist SDDsrv

If you previously installed the standalone version of the SDD server, the output from the **swlist SDDsrv** command looks similar to this:

```
SDDsrv 1.0.0.0 SDDsrv bb-bit Version: 1.0.0.0 Nov-14-2001 15:34
```

Notes:

- The installation package for the standalone version of the SDD server (for ESS Expert) is `SDDsrvHPbb_yymmdd.depot` (where *bb* represents 32- or 64-bit, and

yyymmdd represents date of installation package). For ESS Expert V2R1, the standalone SDD Server installation package is SDDsrvHP32_020115.depot for a 32-bit environment, and SDDsrvHP64_020115.depot for a 64-bit environment.)

2. For instructions on how to remove the standalone version of the SDD server (for ESS Expert) from your HP-UX host system, see the IBM SUBSYSTEM DEVICE DRIVER SERVER 1.0.0.0 (sddsrv) readme for IBM TotalStorage Expert V2R1 at the following Web site:

www.ibm.com/servers/storage/support/software/swexpert/

For more information about the SDD server daemon, go to “SDD server daemon” on page 161.

Installing SDD

Before you install SDD, make sure that you have root access to your HP-UX host system and that all the required hardware and software is ready.

Perform the following steps to install SDD on your HP-UX host system:

1. Make sure that the SDD compact disc (CD) is available.
2. Insert the CD into your CD-ROM drive.
If CD-ROM directory is not known:
 - a. Run `ioscan -funC disk`.
 - b. Record the CD-ROM or DVD-ROM directory.
3. Mount the CD-ROM drive using the **mount** command. Here are two examples of the **mount** command:

```
mount /dev/dsk/c0t2d0 /cdrom
```

or

```
mount /dev/dsk/c0t2d0 /your_installation_directory
```

where */cdrom* or */your_installation_directory* is the name of the directory to which you want to mount the CD-ROM drive.

4. Run the **sam** program.

```
> sam
```
5. Select **Software Management**.
6. Select **Install Software to Local Host**.
7. At this point, the **SD Install - Software Selection** panel is displayed. Almost immediately afterwards, a Specify Source menu is displayed:
 - a. For **Source Depot Type**, select the local CD-ROM.
 - b. For **Source Depot Path**, choose the directory and the IBM`sdd.depot` file.
For 32-bit mode applications, use:
`/cdrom/hp32bit/IBMsdd.depot`
or
`/your_installation_directory/hp32bit/IBMsdd.depot`
For 64-bit mode applications, use:
`/cdrom/hp64bit/IBMsdd.depot`
or
`/your_installation_directory/hp64bit/IBMsdd.depot`
 - c. Click **OK**.

You will see output similar to the following example:

Name	Revision	Information	Size(Kb)
IBMsdd_tag ->	B.11.00.01	IBMsdd Driver 64-bit	<i>nnnn</i>

Figure 4. IBMsdd Driver 64-bit

- Click the **IBMsdd_tag** product.
- From the Bar menu, click **Actions** → **Mark for Install**.
- From the Bar menu, click **Actions** → **Install (analysis)**. An Install Analysis panel is displayed, showing the status of **Ready**.
- Click **OK** to proceed. A Confirmation window opens and states that the installation will begin.
- Click **Yes** and press **Enter**. The analysis phase starts.
- After the analysis phase has finished, another Confirmation window opens informing you that the system will be restarted after installation is complete. Click **Yes** and press **Enter**. The installation of IBMsdd will now proceed.
- An Install window opens, informing you about the progress of the IBMsdd software installation. The window looks similar to the following:

```
Press 'Product Summary' and/or 'Logfile' for more target information.
Target          : XXXXX
Status          : Building kernel
Percent Complete : 17%
Kbytes Installed : 276 of 1393
Time Left (minutes) : 1
Product Summary  Logfile
Done                                     Help
```

The **Done** option is not available when the installation is in progress. It becomes available after the installation process is complete.

- Click **Done**.

Note: SDD 1.5.0.4 is changed from a static driver to a dynamic loadable kernel module (DLKM) driver. The system will not restart after SDD is installed.

After the installation is finished, the SDD driver is automatically loaded.

You can use the **datapath query device** command to verify the SDD installation. SDD is successfully installed if the command executes successfully.

Upgrading SDD

Use these sections to upgrade SDD:

Upgrading from SDD 1.6.0.x to SDD 1.6.1.0 or later with concurrent access

The memory management and the installation process have been enhanced to allow installation of the SDD package while the LVM Volume Groups are active and user applications are running. The concurrent driver upgrade function permits uninterrupted operation when installing SDD.

The installation process:

- Converts SDD vpath devices to PVLINK devices
- Unloads and reloads the SDD driver

3. Converts the PVLINK devices back to SDD vpath devices after the new package is installed.

Because the Volume Groups must be active for the PVLINK conversion process, the following are the limitations:

1. The volume groups must be managed by HPUX LVM.
2. The MC Service Guard cluster must be halted prior to upgrade. The primary node and the adoptive node or nodes must operate in a single-host environment. The shared Volume Groups in the adoptive nodes must be exported so that the volumes are not shared; the Volume Groups can be active in the primary node only. Restore the cluster environment after upgrading SDD.

Performance during upgrade: You should consider the following performance topics while you are upgrading:

- The PVLINK conversion process and the driver reload require additional system resources such as LVM lock, accessing LVM meta data and the kernel memory. With the concurrent I/O, the upgrade process can take longer because the conversion process must wait for the I/O to complete before a link can be removed from PVLINK.
- Reloading the SDD driver can also take longer because of the contention with the kernel memory; the system must wait for a window when the resources become available. The actual time for installation depends on the processor model, physical memory size, I/O intensity, and configuration size. The larger the SDD configuration or the more concurrent I/O activities, the longer it can take to upgrade. The installation time can also take longer if the devices from the ioscan output are not accessible. If there were a lot of inaccessible devices as the result of fabric reconfiguration, you should attempt to clean up the configuration before upgrading.
- After the upgrade, you should check the VPATH_EVENT for allocation failures in syslog.log, /var/adm/IBMsdd/hd2vp.errlog and vp2hd.errlog. These are the indications that the upper limit of the resources have been reached during the conversion process and that you should take a more conservative approach next time. That is, the concurrent upgrade should be performed during a period when the system load is lighter than the normal operation.
- The installation process also ensures that the current SDD state is not in any degraded state; the recovery process can be lengthy if the upgrade failed due to the hardware errors. Issue the **swjob** command that is indicated at the end of swinstall output to get detailed information about the installation.
- The diagnose message in the package installation and configuration process has been greatly improved to include logs for **cfgvpath**, **vp2hd**, **hd2vp** and the syslog messages. All the SDD related logs have been moved to the /var/adm/IBMsdd directory.

Upgrading from SDD 1.5.0.4 to SDD 1.6.1.0 or later with nonconcurrent access.

Upgrading SDD consists of removing and reinstalling the IBMsdd package. If you are upgrading SDD, go to “Uninstalling SDD” on page 161 and then go to “Installing SDD” on page 150.

Upgrading SDD 1.3.0.2 or earlier to SDD 1.5.0.4 or later

SDD 1.3.0.2 (or earlier) could have created a vpath0 device. vpath0 should not be configured. To upgrade your SDD, you need to ensure that you have no vpath0 devices using the following steps:

1. Remove its /etc/vpathsave.cfg (vpath name reservation file) file.

2. Execute **cfgvpath -c** to reconfigure SDD.

To upgrade from SDD 1.3.0.2 (or earlier) to SDD 1.5.0.4 (or later):

1. Uninstall SDD 1.3.0.2 (or earlier). Because SDD 1.3.0.2 (or earlier) does not have the volume group conversion scripts **hd2vp** and **vp2hd**, the uninstallation will not convert the existing volume groups back to cXtXdX devices.
2. Install SDD 1.5.0.4 (or later) on your host.
3. After installation, check to see that you have:
 - a. The volume group conversion scripts **hd2vp** and **vp2hd** in `/opt/IBMdpo/bin`
 - b. The `/etc/vpathsave.cfg` file
4. Use the **vp2hd** script to convert volume groups from volume groups containing SDD vpath devices to volume groups containing cXtXdX devices.
5. When the volume groups have been converted:
 - a. Remove the `/etc/vpathsave.cfg` file.
 - b. Execute **cfgvpath -c** to reboot.
6. When the host responds, use the **showvpath** command to determine that vpath0 has been removed. If vpath0 no longer exists and the state of all the SDD vpath devices looks good in the **datapath query device** output, use the **hd2vp** script to change volume groups to volume groups containing SDD vpath devices.

Note: Vpathname vpathN is reserved when it is assigned to a LUN even after the LUN has been removed from the host. The same vpathname, vpathN, will be assigned to the same LUN when it is reconnected to the host.

7. `/etc/vpathsave.cfg` is the file to reserve vpathnames. Improper removal of the file will invalidate existing volume groups. Do not remove the `/etc/vpathsave.cfg` file.

Configuring SDD

This section provides information necessary to configure SDD. Use the HP command line interface (CLI) to manage SDD devices.

Changing an SDD hardware configuration

When adding or removing multiport SCSI devices, you must reconfigure SDD to recognize the new devices. Perform the following steps to reconfigure SDD:

1. Issue the **cfgvpath** command to reconfigure the SDD vpath device by entering:

```
/opt/IBMsdd/bin/cfgvpath
```

2. Restart the system by entering:

```
shutdown -r 0
```

The **querysn** command can be used to list all disk storage system devices visible to the host. The **querysn** command reads the unique serial number of a disk storage system device (sdisk). To manually exclude devices from the SDD configuration, their serial number information can be included in the `/etc/vpathmanualexcl.cfg` text file. For bootable devices, the **get_root_disks** command generates a file called `/etc/vpathexcl.cfg` to exclude bootable disks from the SDD configuration.

Converting a volume group

SDD provides the following conversion scripts:

hd2vp The **hd2vp** script converts a volume group from supported storage device sdisks into SDD vpath devices.

The syntax for **hd2vp** script is as follows:

```
hd2vp vname
```

vp2hd The **vp2hd** script converts a volume group from SDD vpath devices into supported storage device sdisks. Use the **vp2hd** program when you want to configure your applications back to original supported storage device sdisks.

The syntax for **vp2hd** script is as follows:

```
vp2hd vname
```

hd2vp and **vp2hd** convert a volume group from an sdisk pblink to and from SDD vpaths devices. The **hd2vp** conversion program is invoked at the system boot time to ensure the conversion of sdisks to SDD vpath devices. Beginning with SDD 1.6.0.12, **vp2hd** is not invoked at the system shutdown.

Dynamic reconfiguration

Dynamic reconfiguration provides a way to automatically detect path configuration changes without requiring a reboot.

1. **cfgvpath -r**:

This operation finds the current hardware configuration and compares it to the SDD vpath device configuration in memory and then identifies a list of differences. It then issues commands to update the SDD vpath device configuration in memory with the current hardware configuration. The commands that **cfgvpath -r** issues to the vpath driver are:

- a. Add an SDD vpath device.
- b. Remove an SDD vpath device; this will fail if device is busy.
- c. Add path to the SDD vpath device.
- d. Remove path from the SDD vpath device; this will fail deletion of the path if the device is busy, but will set path to DEAD and OFFLINE.

2. **rmvpath** command removes one or more SDD vpath devices.

```
rmvpath -all                # Remove all SDD vpath devices

rmvpath vpath_name         # Remove one SDD vpath device at a time
                           # this will fail if device is busy
```

Dynamically changing the SDD path-selection policy algorithm

SDD 1.4.0.0 (or later) supports path-selection policies that increase the performance of multipath-configured supported storage devices and make path failures transparent to applications. The following path-selection policies are supported:

failover only (fo)

All I/O operations for the device are sent to the same (preferred) path until the path fails because of I/O errors. Then an alternate path is chosen for subsequent I/O operations.

load balancing (lb)

The path to use for an I/O operation is chosen by estimating the load on

the adapter to which each path is attached. The load is a function of the number of I/O operations currently in process. If multiple paths have the same load, a path is chosen at random from those paths. Load-balancing mode also incorporates failover protection.

Note: The load-balancing policy is also known as the optimized policy.

round robin (rr)

The path to use for each I/O operation is chosen at random from those paths that were not used for the last I/O operation. If a device has only two paths, SDD alternates between the two.

The path-selection policy is set at the SDD device level. The default path-selection policy for an SDD device is load balancing. You can change the policy for an SDD device. SDD version 1.4.0.0 (or later) supports dynamic changing of the SDD devices path-selection policy.

Before changing the path-selection policy, determine the active policy for the device. Enter **datapath query device *N*** where *N* is the device number of the SDD vpath device to show the current active policy for that device.

datapath set device policy command

Use the **datapath set device policy** command to change the SDD path-selection policy dynamically:

See “datapath set device policy” on page 395 for more information about the **datapath set device policy** command.

Preferred node path-selection algorithm for the virtualization products

The virtualization products are two-controller disk subsystems. SDD distinguishes the paths to a virtualization product LUN as follows:

1. Paths on the preferred controller
2. Paths on the alternate controller

When SDD selects paths for I/O, preference is always given to a path on the preferred controller. Therefore, in the selection algorithm, an initial attempt is made to select a path on the preferred controller. Only if no path can be used on the preferred controller will a path be selected on the alternate controller. This means that SDD will automatically fail back to the preferred controller any time a path on the preferred controller becomes available during either manual or automatic recovery. Paths on the alternate controller are selected at random. If an error occurs and a path retry is required, retry paths are first selected on the preferred controller. If all retries fail on the preferred controller's paths, then paths on the alternate controller will be selected for retry. The following is the path selection algorithm for SDD:

1. With all paths available, I/O is only routed to paths on the preferred controller.
2. If no path on the preferred controller is available, I/O fails over to the alternate controller.
3. When failover to the alternate controller has occurred, if a path on the preferred controller is made available, I/O automatically fails back to the preferred controller.

SDD datapath query adapter command changes for SDD 1.4.0.0 (or later)

For SDD 1.4.0.0 (or later), the output of some of the datapath commands has changed. See Chapter 13, “Using the datapath commands,” on page 371 for details about the datapath commands.

For SDD 1.3.3.11 (or earlier), the output of the **datapath query adapter** command shows all the fibre-channel arrays as different adapters, and you need to determine which hardware paths relate to which adapters. If you need to place an adapter offline, you need to manually execute multiple commands to remove all the associated hardware paths.

For SDD 1.4.0.0 (or later), the output of the **datapath query adapter** command has been simplified.

The following examples show the output resulting from the **datapath query adapter** command for the same configuration for SDD 1.3.3.11 (or earlier) and for SDD 1.4.0.0 (or later).

Example output from **datapath query adapter** command issued in SDD 1.3.3.11 (or earlier):

```
Active Adapters :8
Adapter#      Adapter Name  State   Mode   Select  Error Path Active
0             0/7/0/0.4.18.0.38  NORMAL  ACTIVE    0       0    1    1
1             0/4/0/0.4.18.0.38  NORMAL  ACTIVE    0       0    1    1
2             0/7/0/0.4.18.0.36  NORMAL  ACTIVE    0       0    2    2
3             0/4/0/0.4.18.0.36  NORMAL  ACTIVE    0       0    2    2
4             0/7/0/0.4.18.0.34  NORMAL  ACTIVE    0       0    2    2
5             0/4/0/0.4.18.0.34  NORMAL  ACTIVE    0       0    2    2
6             0/7/0/0.4.18.0.32  NORMAL  ACTIVE    0       0    1    1
7             0/4/0/0.4.18.0.32  NORMAL  ACTIVE    0       0    1    1
```

Adapter #s 0, 2, 4, 6 belong to the same physical adapter. In order to place this adapter offline, you need to issue **datapath set adapter offline** four times. After the four commands are issued, the output of **datapath query adapter** will be:

```
Active Adapters :8
Adapter#      Adapter Name  State   Mode   Select  Error Path Active
0             0/7/0/0.4.18.0.38  NORMAL  OFFLINE   0       0    1    0
1             0/4/0/0.4.18.0.38  NORMAL  ACTIVE    0       0    1    0
2             0/7/0/0.4.18.0.36  NORMAL  OFFLINE   0       0    2    0
3             0/4/0/0.4.18.0.36  NORMAL  ACTIVE    0       0    2    0
4             0/7/0/0.4.18.0.34  NORMAL  OFFLINE   0       0    2    0
5             0/4/0/0.4.18.0.34  NORMAL  ACTIVE    0       0    2    0
6             0/7/0/0.4.18.0.32  NORMAL  OFFLINE   0       0    1    0
7             0/4/0/0.4.18.0.32  NORMAL  ACTIVE    0       0    1    0
```

Example output from **datapath query adapter** command issued in SDD 1.4.0.0 (or later):

```
Active Adapters :2
Adapter#      Adapter Name  State   Mode   Select  Error Path Active
0             0/7/0/0      NORMAL  ACTIVE    0       0    6    6
1             0/4/0/0      NORMAL  ACTIVE    0       0    6    6
```

Adapters 0 and 1 represent two physical adapters. To place one of the adapters offline, you need to issue one single command, for example, **datapath set adapter 0 offline**. After the command is issued, the output of **datapath query adapter** will be:

```
Active Adapters :2
Adapter#      Adapter Name  State   Mode   Select  Error Path Active
0             0/7/0/0     NORMAL OFFLINE    0     0     6     0
1             0/4/0/0     NORMAL ACTIVE     0     0     6     0
```

SDD datapath query device command changes for SDD 1.4.0.0 (or later)

The following change is made in SDD for the **datapath query device** command to accommodate the serial numbers of supported storage devices. The locations of Serial and Policy are swapped because the SAN Volume Controller serial is too long to fit in the first line.

Example output from **datapath query device** command issued in SDD 1.3.3.11 (or earlier):

```
Dev#: 3      Device Name: vpath5  Type: 2105800      Serial: 14123922
Policy:      Optimized
=====
Path#      Adapter H/W Path      Hard Disk      State   Mode   Select  Error
0          0/7/0/0      c19t8d1       OPEN  NORMAL 3869815  0
1          0/7/0/0      c13t8d1       OPEN  NORMAL 3872306  0
2          0/3/0/0      c17t8d1       OPEN  NORMAL 3874461  0
3          0/3/0/0      c11t8d1       OPEN  NORMAL 3872868  0
Dev#: 3      Device Name: vpath5  Type: 2105800      Policy:      Optimized
Serial: 14123922
=====
Path#      Adapter H/W Path      Hard Disk      State   Mode   Select  Error
0          0/7/0/0      c19t8d1       OPEN  NORMAL 3869815  0
1          0/7/0/0      c13t8d1       OPEN  NORMAL 3872306  0
2          0/3/0/0      c17t8d1       OPEN  NORMAL 3874461  0
3          0/3/0/0      c11t8d1       OPEN  NORMAL 3872868  0
```

Example output from **datapath query device** command issued in SDD 1.4.0.0 (or later): (This example shows a SAN Volume Controller and an disk storage system device.)

```
Dev#: 2      Device Name: vpath4  Type: 2145          Policy:      Optimized
Serial: 6005676801850687000000000000000000
=====
Path#      Adapter H/W Path      Hard Disk      State   Mode   Select  Error
0          0/7/0/0      c23t0d0       OPEN  NORMAL 2736767  62
1          0/7/0/0      c9t0d0        OPEN  NORMAL      6     6
2          0/3/0/0      c22t0d0       OPEN  NORMAL 2876312 103
3          0/3/0/0      c8t0d0        OPEN  NORMAL  102   101
Dev#: 3      Device Name: vpath5  Type: 2105800      Policy:      Optimized
Serial: 14123922
=====
Path#      Adapter H/W Path      Hard Disk      State   Mode   Select  Error
0          0/7/0/0      c19t8d1       OPEN  NORMAL 3869815  0
1          0/7/0/0      c13t8d1       OPEN  NORMAL 3872306  0
2          0/3/0/0      c17t8d1       OPEN  NORMAL 3874461  0
3          0/3/0/0      c11t8d1       OPEN  NORMAL 3872868  0
```

Note: vpathname *vpathN* is reserved once it is assigned to a LUN even after the LUN has been removed from the host. The same vpathname, *vpathN*, will be assigned to the same LUN when it is reconnected to the host.

Postinstallation

After SDD is installed, the device driver resides above the HP SCSI disk driver (sdisk) in the protocol stack. In other words, SDD now communicates to the HP-UX device layer. The SDD software installation procedure installs a number of SDD components and updates some system files. Those components and files are listed in the following tables.

Table 21. SDD components installed for HP-UX host systems

File	Location	Description
mod.o	/opt/IBMsdd/bin	Object file for SDD driver module
Executables	/opt/IBMsdd/bin	Configuration and status tools
README.sd	/opt/IBMsdd	README file
defvpath	/sbin	SDD configuration file used during startup
sddsrv	/sbin/sddsrv	SDD server daemon
sample_sddsrv.conf	/etc/	Sample SDD server configuration file
sddserver	/sbin/init.d	Script to start or stop the SDD daemon at system up/down time
confserver	/sbin/init.d	Script to load SDD driver and run defvpath at system boot time
mvserver	/sbin/init.d	Script to move /sbin/rc1.d/S100localmount to /sbin/rc1.d/S250localmount in order to fix the auto mount problem for SDD vpath device filesystems
datapath.1	/usr/local/man/man1/datapath.1	Manpage for datapath
rmvpath.1	/usr/local/man/man1/rmvpath.1	Manpage for rmvpath
showvpath.1	/usr/local/man/man1/showvpath.1	Manpage for showvpath
gettrace.1	/usr/local/man/man1/gettrace.1	Manpage for gettrace
querysn.1	/usr/local/man/man1/querysn.1	Manpage for querysn
sddsrv.1	/usr/local/man/man1/sddsrv.1	Manpage for sddsrv
vp2hd.1	/usr/local/man/man1/vp2hd.1	Manpage for vp2hd
hd2vp.1	/usr/local/man/man1/hd2vp.1	Manpage for hd2vp
cfgvpath.1	/usr/local/man/man1/cfgvpath.1	Manpage for cfgvpath
vpcluster.1	/usr/local/man/man1/vpcluster.1	Manpage for vpcluster
sddgetdata.1	/usr/local/man/man1/sddgetdata.1	Manpage for sddgetdata

Table 22. System files updated for HP-UX host systems

File	Location	Description
vpath	/usr/conf/master.d	Master configuration file
vpath	/stand/system.d	System configuration file

Table 23. SDD commands and their descriptions for HP-UX host systems

Command	Description
cfgvpath [-c]	Configures SDD vpath devices. Updates the information in /etc/vpath.cfg and /etc/vpathsave.cfg. It does not change the running system. It sets up the system for reboot. Note: cfgvpath -c updates the configuration file but does not update the kernel. To update the kernel, you need to reboot.
cfgvpath [-r] (Dynamic reconfiguration)	The SDD vpath device configuration is updated without system reboot. If initially there is no SDD vpath device configured, cfgvpath -r will fail with message “failed to get information from kernel, don’t run dynamic configuration, do cfgvpath instead.” In this case, execute cfgvpath without any option.
defvpath	Second part of the cfgvpath command configuration during startup time.
showvpath	Lists the configuration mapping between SDD devices and underlying disks.
datapath	SDD driver console command tool.
hd2vp	Converts a volume group from sdisks into SDD vpath devices.
vp2hd	Converts a volume group from SDD vpath devices into sdisks.
vpcluster	Imports or exports MC Service Guard volume groups.
rmvpath [-all, -vpathname]	Removes SDD vpath devices from the configuration.
gettrace	Debug tool that gets trace information when problem happens.
sddgetdata	The SDD data collection tool for problem analysis.
man	Manpage for SDD commands, for example, man datapath . Supported SDD commands are datapath , gettrace , hd2vp , querysn , rmvpath , sddsrv , sddgetdatashowvpath , vp2hd , vpcluster , and sddgetdata .

If you are not using a DBMS or an application package that communicates directly to the sdisk interface, the installation procedure is nearly complete. However, you still need to customize HP-UX so that standard UNIX® applications can use SDD. Go to “Standard UNIX applications” on page 166 for instructions. If you have a DBMS or an application package installed that communicates directly to the sdisk interface, such as Oracle, go to “Using applications with SDD” on page 166 and read the information specific to the application that you are using.

During the installation process, the following files were copied from the IBM_sdd_depot to the system:

Kernel-related files

- /opt/IBMsdd/bin/mod.o
- /stand/system.d/vpath
- /usr/conf/master.d/vpath

SDD driver-related files

- /opt/IBMsdd
- /opt/IBMsdd/bin
- /opt/IBMsdd/README.sd
- /opt/IBMsdd/bin/cfgvpath
- /opt/IBMsdd/bin/datapath
- /opt/IBMsdd/bin/defvpath
- /opt/IBMsdd/bin/showvpath
- /opt/IBMsdd/bin/master
- /opt/IBMsdd/bin/system
- /opt/IBMsdd/bin/mod.o
- /opt/IBMsdd/bin/rmvpath
- /opt/IBMsdd/bin/ckvpath
- /opt/IBMsdd/bin/get_root_disks
- /opt/IBMsdd/bin/gettrace
- /opt/IBMsdd/bin/sddgetdata
- /opt/IBMsdd/bin/hd2vp
- /opt/IBMsdd/bin/vp2hd
- /opt/IBMsdd/bin/vpcluster
- /sbin/defvpath
- /sbin/cfgvpath
- /sbin/datapath
- /sbin/get_root_disks
- /sbin/rmvpath
- /sbin/showvpath
- /sbin/hd2vp
- /sbin/vp2hd
- /sbin/vpcluster
- /sbin/sddgetdata
- /sbin/sddsrv
- /etc/sample_sddsrv.conf

During installation, /opt/IBMsdd/bin/cfgvpath program is initiated to create SDD vpath devices in the /dev/dsk and /dev/rdisk directories for all IBM disks that are available on the system. After installation is done, all SDD vpath devices are configured and the driver is loaded. The system will not reboot.

Note: SDD devices are found in /dev/rdisk and /dev/dsk. The device is named according to the SDD number. A device with a number of 0 would be /dev/rdisk/vpath1.

Uninstalling SDD

The following procedure explains how to remove SDD. You must uninstall the current level of SDD before upgrading to a newer level.

Complete the following procedure to uninstall SDD:

1. Stop applications.
2. If you are using SDD with a database, such as Oracle, edit the appropriate database configuration files (database partition) to remove all the SDD devices.
3. Before running the `sam` program, run script `vp2hd` to convert volume groups from SDD vpath devices to sdisks.
4. Run the `sam` program.

> `sam`

5. Click **Software Management**.
6. Click **Remove Software**.
7. Click **Remove Local Host Software**.
8. Click the `IBMsdd_tag` selection.
 - a. From the Bar menu, click **Actions** → **Mark for Remove**.
 - b. From the Bar menu, click **Actions** → **Remove (analysis)**. A Remove Analysis window opens and shows the status of Ready.
 - c. Click **OK** to proceed. A Confirmation window opens and indicates that the uninstallation will begin.
 - d. Click **Yes**. The analysis phase starts.
 - e. After the analysis phase has finished, another Confirmation window opens indicating that the system will be restarted after the uninstallation is complete. Click **Yes** and press **Enter**. The uninstallation of `IBMsdd` begins.
 - f. An Uninstall window opens showing the progress of the `IBMsdd` software uninstallation. This is what the panel looks like:

```
Target      : XXXXX
Status      : Executing unconfigure
Percent Complete : 17%
Kbytes Removed : 340 of 2000
Time Left (minutes) : 5
Removing Software : IBMsdd_tag,.....
```

The **Done** option is not available when the uninstallation process is in progress. It becomes available after the uninstallation process completes.

9. Click **Done**.

When SDD has been successfully uninstalled, the first part of the procedure for upgrading the SDD is complete. To complete an upgrade, you need to reinstall SDD. See the installation procedure in “Installing SDD” on page 150.

SDD server daemon

The SDD server (also referred to as `sddsrv`) is an integrated component of SDD 1.3.1.5 (or later). This component consists of a UNIX application daemon that is installed in addition to the SDD device driver. See Chapter 12, “Using the SDD server and the SDDPCM server,” on page 367 for more information about `sddsrv`.

Verifying if the SDD server has started

After you have installed SDD, verify that the SDD server (sddsrvc) has automatically started by entering **ps -ef | grep sddsrvc**.

If the SDD server (sddsrvc) has automatically started, the output will display the process number on which sddsrvc has started.

If sddsrvc has *not* started, you should uninstall SDD and then reinstall SDD. See “Installing SDD” on page 150 for more information.

Starting the SDD server manually

If the SDD server does not start automatically after you perform the SDD installation, or if you want to start it manually after stopping sddsrvc, use the following process to start sddsrvc:

1. Edit /etc/inittab and verify the sddsrvc entry.

For example:

```
srv:23456:respawn:/sbin/sddsrvc >/dev/null 2>&1
```

2. Save the file /etc/inittab.
3. Execute **init q**.

Go to “Verifying if the SDD server has started” for the steps to see if you successfully started the SDD server.

Changing to a different port number for the SDD server

See “Changing the sddsrvc or pcmsrv TCP/IP port number” on page 369.

Stopping the SDD server

Perform the following steps to stop the SDD server:

1. Edit /etc/inittab and comment out the SDD server entry:

```
#srv:23456:respawn:/sbin/sddsrvc >/dev/null 2>&1 2
```

2. Save the file.
3. Execute **init q**.
4. Check if sddsrvc is running by executing **ps -ef | grep sddsrvc**. If sddsrvc is still running, execute **kill -9 pid** of sddsrvc.

How to import and export volume groups

Use the HP CLI to manage SDD devices.

You can import volume groups that are created over SDD vpath devices using the **vgimport** command. The **vgimport** command is useful in conjunction with the **vgexport** command.

Before you can import the specified volume groups, you must perform the following tasks:

1. Export or move volume groups from one node to another node within a high availability cluster by using the **vgexport** command. See “Exporting volume groups” on page 163.

2. FTP the map file to the other node within a high-availability cluster. See “Moving the map file.”
3. Create the volume group device directory. See “Creating the volume group device directory.”
4. Create the group special file. See “Creating the group special file” on page 164.

For more information about the **vgimport** command, see “Importing volume groups” on page 164.

Exporting volume groups

The **vgexport** command recognizes the following options and arguments:

- p** The **-p** option previews the actions to be taken but does not update the `/etc/lvmtab` file or remove the devices file.
- v** The **-v** option prints verbose messages including the names of the physical volumes associated with this volume group.
- s** **-s** is the sharable option (Series 800 only). When the **-s** option is specified, then the **-p**, **-v**, and **-m** options must also be specified. A mapfile is created that can be used to create volume group entries (with the **vgimport** command) on other systems in the high availability cluster.
- m mapfile** By default, a file named `mapfile` is created in your current directory. The mapfile contains a description of the volume group and its associated logical volumes. Use the **-m** option to specify a different name for the mapfile. The mapfile serves as input to **vgimport**; When the mapfile is used with the **-s** option, the volume group specified in the mapfile can be shared with the other systems in the high availability cluster.
- vg_name** The `vg_name` is the path name of the volume group.

vgexport command example:

To export the specified volume group on node 1, enter:

```
vgexport -p -v -s -m /tmp/vgpath1.map vgvpath1
```

where `/tmp/vgpath1.map` represents your mapfile, and `vgvpath1` represents the path name of volume group that you want to export.

Moving the map file

You must also FTP the map file to the other node.

For example, to FTP the `vgvpath1.map` map file to node 2, enter:

```
rcp /tmp/vgvpath1.map node2:/tmp/vgvpath1.map
```

Creating the volume group device directory

You must also create the volume group device directory.

For example, to create the volume group device directory `/dev/vgvpath1` on node 2, enter:

```
mkdir /dev/vgvpath1
```

Creating the group special file

You must also create the group special file on node 2.

For example, to create the *group c 64* file, enter:

```
mknod /dev/vgpath1/group c 64 n
```

where *n* is the same as that was given when */dev/vgpath1/group* was created on node 1.

Importing volume groups

The **vgimport** command recognizes the following options and arguments:

- p** The **-p** option previews the actions to be taken but does not update the */etc/lvmtab* file or remove the devices file.
- v** The **-v** option prints verbose messages including the names of the logical volumes.
- s** **-s** is the sharable option (disk storage system Series 800 only). When the **-s** option is specified, then the **-p**, **-v**, and **-m** options must also be specified. The specified mapfile is the same mapfile specified by using the **vgexport** command also using the **-p**, **-m**, and **-s** options. The mapfile is used to create the volume groups on the importing systems.
- m mapfile** By default, a file named *mapfile* is created in your current directory. The mapfile contains a description of the volume group and its associated logical volumes. Use the **-m** option to specify a different name for the mapfile. The mapfile serves as input to **vgimport**; When the mapfile is used with the **-s** option, the volume group specified in the mapfile can be shared among the exporting system and the importing system.
- vg_name** The **vg_name** is the path name of the volume group.

vgimport command example:

To import the specified volume group on node 2, enter:

```
vgimport -p -v -s -m /tmp/vgpath1.map vgpath1
```

where */tmp/vgpath1.map* represents your mapfile, and *vgpath1* represents the path name of the volume group that you want to import.

Exporting or importing MC Service Guard volume groups

The **vpcluster** script makes it easier to export or import MC Service Guard volume groups managed by SDD. The normal Service Guard configuration and SDD device configuration process remain the same. The sharable volume groups used by the HA clusters must be marked

For the primary node operation, **vpcluster** extracts the node and volume group information from the keywords **NODE_NAME** and **VOLUME_GROUP** as specified in the cluster configuration file. It ensures that the devices of these volumes groups are SDD-managed *vpath* devices, performs **vgexport** and creates **vpcluster** control files for the adoptive nodes to import. The input file to **vpcluster** does not have to be the same cluster configuration file for the SG cluster creation. It can be any

`-h` Specifies that detailed help info about the **vpcluster** function is to be displayed.

There are more than one way to configure the SG cluster locking: quorum server, or lock disk. In case the lock disk is chosen, the SDD vpath device should not be used since it is not recognized by the `FIRST_CLUSTER_LOCK_PV` parameter. Furthermore, it is recommended that SDD vpath devices and `sdisk` pmlink should not be mixed in the same volume group. The lock device should be excluded from the SDD configuration. See the information about the `/etc/vpathmanualexcl.cfg` text file on page 153.

Using applications with SDD

If your system already has a software application or a DBMS installed that communicates directly with the HP-UX disk device drivers, you need to insert the new SDD device layer between the software application and the HP-UX disk device layer. You also need to customize the software application to have it communicate with the SDD devices instead of the HP-UX devices.

In addition, many software applications and DBMSs need to control certain device attributes such as ownership and permissions. Therefore, you must ensure that the new SDD devices that these software applications or DBMSs access in the future have the same attributes as the HP-UX `sdisk` devices that they replace. You need to customize the application or DBMS to accomplish this.

This section contains the procedures for customizing the following software applications and DBMSs for use with SDD:

- Standard UNIX applications
- Network File System (NFS) file server

Standard UNIX applications

If you have not already done so, install SDD using the procedure in “Installing SDD” on page 150. When this is done, SDD resides above the HP-UX SCSI disk driver (`sdisk`) in the protocol stack. In other words, SDD now communicates to the HP-UX device layer. To use standard UNIX applications with SDD, you must make some changes to your logical volumes. You must convert your existing logical volumes or create new ones.

Standard UNIX applications such as `newfs`, `fsck`, `mkfs`, and `mount`, which normally take a disk device or raw disk device as a parameter, also accept the SDD device as a parameter. Similarly, entries in files such as `vfstab` and `dfstab` (in the format of `cntndnsn`) can be replaced by entries for the corresponding SDD vpathNs devices. Make sure that the devices that you want to replace are replaced with the corresponding SDD device. Issue the **showvpath** command to list all SDD vpath devices and their underlying disks.

To use the SDD driver for an existing logical volume, you must remove the existing logical volume and volume group and re-create it using the SDD device.

Attention: Do not use the SDD for critical file systems needed at startup, such as `/(root)`, `/(stand)`, `/(usr)`, `/(tmp)` or `/(var)`. Doing so may render your system unusable if SDD is ever uninstalled (for example, as part of an upgrade).

Creating new logical volumes

Use the following process to create a new logical volume to use SDD:

Note: You must have superuser privileges to perform these subtasks.

1. Determine the major number of the logical volume device.
Enter the following command to determine the major number:

```
# lsdev | grep lv
```

A message similar to the following is displayed:

```
64          64          1v          1vm
```

The first number in the message is the major number of the character device, which is the number that you want to use.

2. Create a device node for the logical volume device.

Note: If you do not have any other logical volume devices, you can use a minor number of 0x010000. In this example, assume that you have no other logical volume devices. A message similar to the following is displayed:

```
# mknod group c 64 0x010000
```

Create a physical volume by performing the procedure in step 3 on page 168.

- a. Create a subdirectory in the /dev directory for the volume group.
Enter the following command to create a subdirectory in the /dev directory for the volume group:

```
# mkdir /dev/vgIBM
```

In this example, *vgIBM* is the name of the directory.

- b. Change to the /dev directory.
Enter the following command to change to the /dev directory:

```
# cd /dev/vgIBM
```

- c. Create a device node for the logical volume device.
Enter the following command to re-create the physical volume:

```
# pvcreate /dev/rdisk/vpath1
```

A message similar to the following is displayed:

```
Physical volume "/dev/rdisk/vpath1" has been successfully created.
```

In this example, the SDD vpath device associated with the underlying disk is vpath1. Verify the underlying disk by entering the following **showvpath** command:

```
# /opt/IBMsdd/bin/showvpath
```

A message similar to the following is displayed:

```
vpath1:  
/dev/dsk/c3t4d0
```

3. Create a physical volume.

Enter the following command to create a physical volume:

```
# pvcreate /dev/rdisk/vpath1
```

4. Create a volume group.

Enter the following command to create a volume group:

```
# vgcreate /dev/vgIBM/dev/dsk/vpath1
```

5. Create a logical volume.

Enter the following command to create logical volume *lv01*:

```
# lvcreate -L 100 -n lv01 vgIBM
```

The `-L 100` portion of the command makes a 100-MB volume group; you can make it larger if you want to. Now you are ready to create a file system on the volume group.

6. Create a file system on the volume group.

Use the following process to create a file system on the volume group:

- a. If you are using an HFS file system, enter the following command to create a file system on the volume group:

```
# newfs -F HFS /dev/vgIBM/rlvol1
```

- b. If you are using a VXFS file system, enter the following command to create a file system on the volume group:

```
# newfs -F VXFS /dev/vgIBM/rlvol1
```

- c. Mount the logical volume.

This process assumes that you have a mount point called `/mnt`.

7. Mount the logical volume.

Enter the following command to mount the logical volume *lv01*:

```
# mount /dev/vgIBM/lvol1 /mnt
```

Attention: In some cases it may be necessary to use standard HP-UX recovery procedures to fix a volume group that has become damaged or corrupted. For information about using recovery procedures, such as **vgscan**, **vgextend**, **vpchange**, or **vgreduce**, see the following Web site:

<http://docs.hp.com/>

Click *HP-UX Reference (Manpages)*. Then refer to *HP-UX Reference Volume 2*.

Removing logical volumes

Use the following procedure to remove logical volumes:

1. Remove the existing logical volume.

Before the logical volume is removed, it must be unmounted. For example, enter the following command to unmount logical volume *lv01*:

```
# umount /dev/vgIBM/lvol1
```


Next, remove the logical volume.

For example, enter the following command to remove logical volume *lvol1*:

```
# lvremove /dev/vgIBM/lvol1
```

A message similar to the following is displayed:

```
The logical volume "/dev/vgIBM/lvol1" is not empty;
do you really want to delete the logical volume (y/n)
```

Enter **y** and press **Enter**. A message similar to the following is displayed:

```
Logical volume "/dev/vgIBM/lvol1" has been successfully removed.
Volume Group configuration for /dev/vgIBM has been saved in
/etc/lvmconf/vgIBM.conf
```

When prompted to delete the logical volume, enter **y**.

2. Remove the existing volume group.

Enter the following command to remove the volume group *vgIBM*:

```
# vgremove /dev/vgIBM
```

A message similar to the following is displayed:

```
Volume group "/dev/vgIBM" has been successfully removed.
```

Now, you can re-create the logical volume.

Re-creating the existing logical volumes

Use the following process to convert an existing logical volume to use SDD:

Note: You must have superuser privileges to perform these subtasks.

As an example, suppose you have a logical volume called *lvol1* under a volume group *vgIBM*, which is currently using the disk directly, (for example, through path */dev* path */dev/dsk/c3t4d0*). You want to convert logical volume *lvol1* to use SDD.

1. Determine the size of the logical volume.

Enter the following command to determine the size of the logical volume:

```
# lvsdisplay /dev/vgIBM/lvol1 | grep "LV Size"
```

A message similar to the following is displayed:

```
LV Size (Mbytes) 100
```

In this case, the logical volume size is 100 MB.

2. Re-create the physical volume.

Enter the following command to re-create the physical volume:

```
# pvcreate /dev/rdisk/vpath1
```

A message similar to the following is displayed:

```
Physical volume "/dev/rdisk/vpath1" has been successfully created.
```

In this example, the SDD vpath device associated with the underlying disk is vpath1. Verify the underlying disk by entering the following command:

```
# /opt/IBMsdd/bin/showvpath
```

A message similar to the following is displayed:

```
vpath1:  
/dev/dsk/c3t4d0
```

3. Re-create the volume group.

Enter the following command to re-create the volume group:

```
# vgcreate /dev/vgibm /dev/dsk/vpath1
```

A message similar to the following is displayed:

```
Increased the number of physical extents per physical volume to 2187.  
Volume group "/dev/vgibm" has been successfully created.  
Volume Group configuration for /dev/vgibm has been saved in  
/etc/lvmconf/vgibm.conf
```

4. Re-create the logical volume.

Re-creating the logical volume consists of a number of smaller steps:

- a. Re-creating the physical volume
- b. Re-creating the volume group
- c. Re-creating the logical volume

Enter the following command to re-create the logical volume:

```
# lvcreate -L 100 -n lvol1 vgibm
```

A message similar to the following is displayed:

```
Logical volume "/dev/vgibm/lvol1" has been successfully created with  
character device "/dev/vgibm/r1vol1".  
Logical volume "/dev/vgibm/lvol1" has been successfully extended.  
Volume Group configuration for /dev/vgibm has been saved in  
/etc/lvmconf/vgibm.conf
```

The -L 100 parameter comes from the size of the original logical volume, which is determined by using the **lvdisplay** command. In this example, the original logical volume was 100 MB in size.

Attention: The re-created logical volume should be the same size as the original volume; otherwise, the re-created volume cannot store the data that was on the original.

5. Setting the proper timeout value for the logical volume manager.

The timeout values for the logical volume manager must be correctly set for SDD to operate properly. This is particularly true if you are going to be using concurrent microcode download.

If you are going to be using concurrent microcode download with multipath SCSI, perform the following steps to set the proper timeout value for the logical volume manager:

- a. Ensure that the timeout value for an SDD logical volume is set to the default. Enter **lvdisplay /dev/vgibm/lvol1** and press **Enter**. If the timeout value is not default, enter **lvchange -t 0 /dev/vgibm/lvol1** and press **Enter** to change it. (In this example, *vgibm* is the name of the logical volume group that was previously configured to use SDD; in your environment the name may be different.)
- b. Change the timeout value for an SDD physical volume to 240. Enter **pvchange -t 240 /dev/dsk/vpathn** and press **Enter**. (*n* refers to the SDD vpath device number.) If you are not sure about the SDD vpath device number, enter **/opt/IBMsdd/bin/showvpath** and press **Enter** to obtain this information.
- c. The re-created logical volume must be mounted before it can be accessed.

Note: During a concurrent code download (CCL) of licensed internal code or certain types of fabric errors, the remaining node in the IOGroup temporarily takes remedial actions to protect customer data. The latency of the host I/O to the SAN Volume Controller can increase to 60 seconds or more. Because the default setting of the HP disk device driver timeout value is 30 seconds, path failures on the remaining node can result and SDD will have no more paths available. The timeout value of the physical device should be changed for all SDD vpath devices using the **pvchange** command. You should do this after the physical volume has been created (using **pvcreate**) and added to a volume group (using **vgcreate**). For example, enter **pvchange -t 90 /dev/dsk/vpath[#]**.

For additional information about SAN Volume Controller, refer to the Web site at:

www-1.ibm.com/servers/storage/support/virtual/2145.html

Click **Technical Notes** and browse for more information.

In some cases it might be necessary to use standard HP recovery procedures to fix a volume group that has become damaged or corrupted. For information about using recovery procedures, such as **vgscan**, **vgextend**, **pvchange**, or **vgreduce**, see the following Web site:

<http://docs.hp.com/>

Click **HP-UX Reference (Manpages)**. Then, refer to *HP-UX Reference Volume 2*.

Installing SDD on a NFS file server

The procedures in this section show how to install SDD for use with an exported file system (NFS file server).

Setting up NFS for the first time

Perform the following steps if you are installing exported file systems on SDD devices for the first time:

1. If you have not already done so, install SDD using the procedure in "Installing SDD" on page 150.
2. Determine which SDD (vpathN) volumes that you will use as file system devices.
3. Create file systems on the selected SDD devices using the appropriate utilities for the type of file system that you will use. If you are using the standard HP-UX UFS file system, enter the following command:

newfs /dev/rdisk/vpathN

In this example, *N* is the SDD device instance of the selected volume. Create mount points for the new file systems.

4. Install the file systems into the directory /etc/fstab. In the **mount at boot** field, click **yes**.
5. Install the file system mount points into the /etc/exports directory for export.
6. Restart the system.

Installing SDD on a system that already has the NFS file server

Perform the following steps if you have the NFS file server already configured to:

- Export file systems that reside on a multiport subsystem, and
 - Use SDD partitions instead of sdisk partitions to access them
1. List the mount points for all currently exported file systems by looking in the /etc/exports directory.
 2. Match the mount points found in step 1 with sdisk device link names (files named /dev/(r)dsk/cntndn) by looking in the /etc/fstab directory.
 3. Match the sdisk device link names found in step 2 with SDD device link names (files named /dev/(r)dsk/vpathN) by issuing the **showvpath** command.
 4. Make a backup copy of the current /etc/fstab file.
 5. Edit the /etc/fstab file, replacing each instance of an sdisk device link named /dev/(r)dsk/cntndn with the corresponding SDD device link.
 6. Restart the system.
 7. Verify that each exported file system:
 - a. Passes the start time **fsck pass**
 - b. Mounts properly
 - c. Is exported and available to NFS clients

If there is a problem with any exported file system after completing step 7, restore the original /etc/fstab file and restart to restore NFS service. Then review your steps and try again.

Chapter 5. Using SDD on a Linux host system

This chapter provides step-by-step procedures on how to install, configure, use, and remove SDD on supported Linux host systems that are attached to supported storage devices. For updated and additional information that is not included in this chapter, see the Readme file on the CD-ROM or visit the SDD Web site:

www.ibm.com/servers/storage/support/software/sdd

Verifying hardware and software requirements

You must install the following hardware and software components to ensure that SDD installs and operates successfully.

Hardware

The following hardware components are needed:

- Supported storage devices
- One or more pairs of fibre-channel host adapters
 - To use SDD's input/output (I/O) load-balancing features and failover features, you need a minimum of two paths to your storage devices.
 - For more information about the fibre-channel adapters that you can use on your Linux host system, refer to the *Host Attachment Guide* for your product.
- Subsystem LUNs that have been created and configured for multiport access. Subsystem LUNs are known as SDD vpath devices in Linux SDD. Each SDD vpath device can have up to 32 paths (SCSI disk instances).
- A fibre optic cable to connect each fibre-channel adapter to a supported storage device port, or to switch ports subsequently zoned to supported storage device ports.

Refer to the *IBM TotalStorage Enterprise Storage Server: Interoperability Guide* for more information regarding hardware, software, and driver support.

Software

A general list of supported Linux distributions and major release levels is shown below. For the most up-to-date information regarding support for specific architectures and kernels, please refer to the Readme file for the latest SDD release on the CD-ROM or visit the SDD Web site:

www.ibm.com/servers/storage/support/software/sdd

- Novell SUSE
 - SUSE Linux Enterprise Server (SLES) 8 / UnitedLinux 1.0
 - SLES 9
- Red Hat
 - RHEL 3 AS
 - RHEL 4 AS
- Asianux
 - Red Flag Advanced Server 4.1
 - Red Flag DC Server 4.1

Unsupported environments

SDD does not support environments containing the following functions:

- DS8000 and DS6000 do not support SCSI connectivity. ESS Model 800 does support SCSI connectivity.
- The EXT3 file system on an SDD vpath device is **only** supported on distributions running the 2.4.21 or newer kernel.
- Single-path mode during concurrent download of licensed machine code nor during any disk storage system concurrent maintenance that impacts the path attachment, such as a disk storage system host-bay-adapter replacement, or host zoning reconfiguration that affects the host or storage ports in use.

Preparing for SDD installation

Before you install SDD, you must configure the supported storage device for your host system and attach required fibre-channel adapters.

Configuring disk storage systems

Before you install SDD, configure your disk storage system for multiport access for each LUN. SDD requires a minimum of two paths to your storage devices that share the same LUN to use the load-balancing and path-failover-protection features. **With a single-path, failover protection is not provided.**

A host system with a single fibre-channel adapter connected through a switch to multiple disk storage system ports is considered a multipath fibre-channel connection.

Refer to the *Planning Guide* and *Host Attachment Guide* for your product to find more information about how to configure the disk storage system. These publications are listed in “Related information” on page xxiii.

Refer to the *IBM TotalStorage Enterprise Storage Server: Host Systems Attachment Guide* for information on working around Linux LUN limitations.

Configuring virtualization products

Before you install SDD, configure your virtualization product for multiport access for each LUN. SDD requires a minimum of two paths to your storage devices that share the same LUN to use the load-balancing and path-failover-protection features. **With a single-path, failover protection is not provided.**

A host system with a single fibre-channel adapter connected through a switch to multiple disk storage system ports is considered a multipath fibre-channel connection.

For information about configuring your SAN Volume Controller, refer to the *IBM System Storage Virtualization Family: SAN Volume Controller Configuration Guide*.

Refer to the *IBM System Storage Virtualization Family: SAN Volume Controller Host Systems Attachment Guide* for information on working around Linux LUN limitations.

SAN File System metadata servers already have SDD preinstalled and configured. The SAN File System might have specific configuration and support requirements for its Linux Client systems. Refer to the publications in Table 4 on page xxvi for specific Linux host system requirements and for information about upgrading SDD on the SAN File System metadata servers.

Configuring fibre-channel adapters on disk storage systems

You must configure the fibre-channel adapters and the adapter drivers that are attached to your Linux host system before you install SDD. Follow the adapter-specific configuration instructions to configure the adapters.

Refer to the *IBM TotalStorage Enterprise Storage Server: Host Systems Attachment Guide* for more information about how to install and configure fibre-channel adapters for your Linux host system and for information about working around Linux LUN limitations.

Configuring fibre-channel adapters on virtualization products

You must configure the fibre-channel adapters and the adapter drivers that are attached to your Linux host system before you install SDD. Follow the adapter-specific configuration instructions to configure the adapters.

For information about configuring your SAN Volume Controller, refer to the *IBM System Storage Virtualization Family: SAN Volume Controller Planning Guide*, and the *IBM System Storage Virtualization Family: SAN Volume Controller Configuration Guide*. Refer to the *IBM System Storage Virtualization Family: SAN Volume Controller Host Systems Attachment Guide* for more information about how to install and configure fibre-channel adapters for your Linux host system and for information about working around Linux LUN limitations.

Disabling automatic Linux system updates

Many Linux distributions give you the ability to configure your systems for automatic system updates. Red Hat provides this ability in the form of a program called **up2date**, while Novell SUSE provides the YaST Online Update utility. These features periodically query for updates available for each host and can be configured to automatically install any new updates that they find. Often, the automatic update process also upgrades the system to the latest kernel level. If this is the case, hosts running SDD should consider turning off the automatic update of kernel levels. Some drivers supplied by IBM, like SDD, are dependent on a specific kernel and will cease to function in the presence of a new kernel. Similarly, host bus adapter (HBA) drivers need to be compiled against specific kernels in order to function optimally. By allowing automatic updates of the kernel, you risk impacting your host systems unexpectedly.

Installing SDD

Before you install SDD, make sure that you have root access to your Linux host system and that all the required hardware and software is ready.

Note: A new feature of SDD 1.6.1.x and later packages is the possibility of RPM relocation. RPM relocation allows you to manually relocate the files that SDD installs from the default subdirectory (/opt) to another subdirectory. You can specify the new subdirectory under the root filesystem (/) by using the --prefix command. If you want to use the relocation command, please see step 7 below. Relocation cannot be done directly onto the root filesystem (/), but must be a subdirectory or other filesystem under root.

Perform the following steps to install SDD on your Linux host system:

1. Log on to your host system as the root user.
2. Insert the SDD installation compact disc (CD) into your CD-ROM drive.
3. Enter **mount /dev/cdrom** to mount the CD-ROM drive.

4. Enter the following to access your CD-ROM contents :
 - For Red Hat or Asianux: enter **cd /mnt/cdrom**
 - For SUSE: enter **cd /media/cdrom**
5. If you're running Red Hat, enter **cd redhat**; if you are running SUSE, enter **cd suse**, and then enter **ls** to display the name of the package. If you are running Miracle Linux, Red Flag or Asianux, execute **cd asianux**.
6. Enter **rpm -qpl IBMsdd-N.N.N.N-x.arch.distro.rpm** to view all the files in the package,

where:

 - *N.N.N.N-x* represents the current version release modification level number; for example, *N.N.N.N-x* = 1.6.0.1-1.
 - *arch* is the architecture (i686, ppc64, ia64)
 - *distro* is one of the following:
 - rhel3
 - rhel4
 - ul1
 - sles8
 - sles9
 - asianux
7. Enter the following command to install SDD: **rpm -ivh [--prefix=*newpath*] IBMsdd-N.N.N.N-x.arch.distro.rpm**

where,

newpath is the new directory under which you want to place SDD files (the default is /opt). Note that you cannot specify --prefix=/. The prefix flag is optional.

A message similar to the following is displayed:

```

Preparing for installation ...
IBMsdd-N.N.N.N-1
```

Upgrading SDD

Perform the following steps to upgrade SDD on your Linux host system:

1. Log on to your host system as the root user.
2. Insert the SDD installation CD into your CD-ROM drive.
3. Enter **mount /dev/cdrom** to mount the CD-ROM drive.
4. Enter the following to access your CD-ROM contents :
 - For Red Hat or Asianux: enter **cd /mnt/cdrom**
 - For SUSE: enter **cd /media/cdrom**
5. If you're running Red Hat, enter **cd redhat**; if you're running SUSE, enter **cd suse**, and then enter **ls** to display the name of the package.
6. Enter **rpm -qpl IBMsdd-N.N.N.N-x.arch.distro.rpm** to view all the files in the package.
7. Enter **rpm -U IBMsdd-N.N.N.N-x.arch.distro.rpm [--prefix=*newpath*]** to upgrade SDD. The --prefix option should be used if it was used during the RPM installation of SDD.

A message similar to the following is displayed:

Note: The RPM upgrade command (**rpm -U**) will not work if you want to upgrade from a pre-SDD 1.6.1.x package to an SDD 1.6.1.x or later package. Instead:

1. Uninstall the SDD package using the RPM erase command (**rpm -e IBMsdd**)
2. Install the new SDD 1.6.1.x or later package using **rpm -i**.
3. If you modified your `/etc/vpath.conf`, the **rpm -e** command saved a copy in `/etc/vpath.conf.rpmsave`. To preserve your `/etc/vpath.conf` modifications, you must also copy the `/etc/vpath.conf.rpmsave` to `/etc/vpath.conf`.

Verifying the SDD installation

The SDD installation installs the device driver and its utilities in the `/opt/IBMsdd` directory. Table 24 lists the SDD driver and its major component files.

Table 24. SDD components for a Linux host system

File name	Location ¹	Description
sdd-mod.o-xxx (for Linux 2.4 and earlier kernels)	<code>/opt/IBMsdd</code>	SDD device driver file (where XXX stands for the kernel level of your host system).
sdd-mod.ko-xxx (For Linux 2.6 kernels only)	<code>/opt/IBMsdd</code>	SDD device driver file (where XXX stands for the kernel level of your host system).
vpath.conf	<code>/etc</code>	SDD configuration file
sddsrv.conf	<code>/etc</code>	sddsrv configuration file
executables	<code>/opt/IBMsdd/bin</code>	SDD configuration and status tools
	<code>/usr/sbin</code>	Symbolic links to the SDD utilities
sdd.rcscript	<code>/etc/init.d/sdd</code>	Symbolic link for the SDD system startup option
	<code>/usr/sbin/sdd</code>	Symbolic link for the SDD manual start or restart option

¹ In this table, the `/opt` directory is the default directory. The root prefix might be different, depending on the installation.

You can issue the **rpm -qi IBMsdd** command to receive information on the particular package, or **rpm -ql IBMsdd** command to list the specific SDD files that were successfully installed on your Linux host system. If the installation was successful, issue the **cd /opt/IBMsdd** and then **ls -l** commands to list all the installed SDD components. You will see output similar to the following:

```
total 580
-rw-r----- 1 root    root      8422 Sep 26 17:40 LICENSE
-rw-r----- 1 root    root      9120 Sep 26 17:40 README
drw-r----- 2 root    root      4096 Oct  2 16:21 bin
-rw-r----- 1 root    root     88817 Sep 26 17:40 sdd-mod.o-2.4.2-smp
-rw-r----- 1 root    root     88689 Sep 26 17:40 sdd-mod.o-2.4.6-smp
-rw-r----- 1 root    root     89370 Sep 26 17:40 sdd-mod.o-2.4.9-smp
```

SDD utilities are packaged as executable files and contained in the /bin directory. If you issue the **cd /opt/IBMsdd/bin** and then **ls -l** commands, you will see output similar to the following:

```
total 232
-rwxr-x--- 1 root    root     32763 Sep 26 17:40 cfgvpath
-rwxr-x--- 1 root    root     28809 Sep 26 17:40 datapath
-rwxr-x--- 1 root    root      1344 Sep 26 17:40 sdd.rcscript
-rwxr-x--- 1 root    root     16667 Sep 26 17:40 lsvpcfg
-rwxr-x--- 1 root    root     78247 Sep 26 17:40 pathtest
-rwxr-x--- 1 root    root     22274 Sep 26 17:40 rmvpath
-rwxr-x--- 1 root    root     92683 Sep 26 17:40 addpaths
```

Note: The **addpaths** command is still supported on the 2.4 kernels. On the 2.6 kernels **cfgvpath** will perform the functionality of **addpaths**.

If the installation failed, a message similar to the following is displayed:

```
package IBMsdd is not installed
```

Configuring SDD

Before you start the SDD configuration process, make sure that you have successfully configured the supported storage device to which your host system is attached and that the supported storage device is operational.

This section provides instructions for the following procedures:

- Configuration and verification of SDD
- Configuring SDD at system startup
- Maintaining SDD vpath device configuration persistence

Table 25 lists all of the commands that can help system administrators configure SDD. More details about the function and use of each command are described later in this section.

Table 25. Summary of SDD commands for a Linux host system

Command	Description
cfgvpath	Configures SDD vpath devices. ¹
cfgvpath query	Displays all SCSI disk devices.
lsvpcfg	Displays the current devices that are configured and their corresponding paths.
rmvpath	Removes one or all SDD vpath devices.

Table 25. Summary of SDD commands for a Linux host system (continued)

Command	Description
addpaths	<p>Adds any new paths to an existing SDD vpath device.</p> <p>This command is only supported for Linux 2.4 kernels.</p> <p>For Linux 2.6 kernels, the functionality of the addpaths command has been added to the cfgvpath command. If you need to add paths to an existing SDD vpath device with a Linux 2.6 kernel, run the cfgvpath command.</p>
sdd start	Loads the SDD driver and automatically configures disk devices for multipath access.
sdd stop	Unloads the SDD driver (requires that no SDD vpath devices currently be in use).
sdd restart	Unloads the SDD driver (requires that no SDD vpath devices currently be in use), and then loads the SDD driver and automatically configures disk devices for multipath access.

Note: ¹ For Linux 2.4 kernels, the SDD vpath devices are assigned names according to the following scheme:

```
vpatha, vpathb, ..., vpathp
vpathaa, vpathab, ..., vpathap
vpathba, vpathbb, ..., vpathbp
...
vpathza, vpathzb, ..., vpathzp
vpathaaa, vpathaab, ..., vpathaap
...
,
```

For Linux 2.6 kernels, the SDD vpath devices are assigned names according to the following scheme:

```
vpatha, vpathb, ..., vpathy, vpathz
vpathaa, vpathab, ..., vpathay, vpathaz
vpathba, vpathbb, ..., vpathby, vpathbz
...
vpathza, vpathzb, ..., vpathzy, vpathzz
vpathaaa, vpathaab, ..., vpathaay, vpathaaz
...
```

Configuration and verification of SDD

Perform the following steps to load and configure SDD on your Linux host system:

SDD configuration

Use the following steps to configure SDD on your Linux host system.

1. Log on to your Linux host system as the root user.
2. Enter **sdd start**.
3. You can verify the configuration using the **datapath query device** command to determine that all your disk are configured. If the system is not configured properly, see “Verifying SDD configuration” on page 180.
4. Use the **sdd stop** command to unconfigure and unload the SDD driver. Use the **sdd restart** command to unconfigure, unload, and then restart the SDD

configuration process. If a vpath device is in use (mounted), then the **sdd stop** command fails with an error stating that the module `sdd-mod` is in use.

Verifying SDD configuration

Use the following steps to verify SDD configuration after running the **sdd start** command.

Note: If you are on an unsupported kernel you will get an error message about the kernel not being supported.

1. Enter **lsmod** or enter **cat /proc/modules** to verify that the SDD `sdd-mod` driver* is loaded. If it is successfully loaded, output similar to the following is displayed:

```
sdd-mod          233360  0 (unused)
qla2300          192000  0 (autoclean)
nls_iso8859-1    2880    1 (autoclean)
cs4232           3760    1 (autoclean)
ad1848           16752   0 (autoclean) [cs4232]
uart401          6352    0 (autoclean) [cs4232]
sound            56192   1 (autoclean) [cs4232 ad1848 uart401]
soundcore        4048    4 (autoclean) [sound]
nfsd             67664   4 (autoclean)
usb-uhci         20928   0 (unused)
usbcore          48320   1 [usb-uhci]
ipv6            131872  -1 (autoclean)
olympic          15856   1 (autoclean)
ipchains         34112   0 (unused)
lvm-mod          40880   0 (autoclean)
```

* For Linux 2.6 kernels, the SDD driver is displayed as `sdd_mod`.

2. Enter **cat /proc/IBMsdd** to verify that the SDD `sdd-mod` driver level matches that of your system kernel.

The following example shows that SDD 1.6.0.0 is installed on a Linux host system running a 2.4.9 symmetric multiprocessor kernel:

```
sdd-mod: SDD 1.6.0.0 2.4.9 SMP Sep 26 2001 17:39:06 (C) IBM Corp.
```

3. The order of disk recognition on a Linux system is:

- a. Fibre-channel Host Bus Adapter (HBA) driver

The HBA driver needs to recognize the disks. The recognized disks are typically listed in `/proc/scsi/adapter_type/host_number`, for example `/proc/scsi/qla2300/2`. Example `/proc/scsi/adapter_type/host_number` output is shown below. Note that this is not always true for the Linux 2.6 kernel because the HBA driver version can use the `sysfs` filesystem instead of the `proc` filesystem to expose information.

- b. SCSI driver (`scsi-mod` or `scsi_mod`)

The SCSI driver has to recognize the disks, and, if this succeeds, it puts disk entries into `/proc/scsi/scsi`.

- c. SCSI disk driver (`sd-mod` or `sd_mod`)

The SCSI disk driver has to recognize the disk entries, and if this succeeds it puts the entries into `/proc/partitions`.

- d. SDD driver (`sdd-mod` or `sdd_mod`)

SDD then uses the disk entries in `/proc/partitions` to configure the SDD vpath devices. If configuration succeeds, SDD generates more entries in `/proc/partitions`.

Enter **cat /proc/scsi/adapter_type/N** to display the status of a specific adapter and the names of the attached devices. In this command, *adapter_type*

indicates the type of adapter that you are using, and *N* represents the host-assigned adapter number. The following example shows a sample output:

```
# ls /proc/scsi/
qla2300 scsi sym53c8xx
# ls /proc/scsi/qla2300/
2 3 HbaApiNode
# cat /proc/scsi/qla2300/2
QLogic PCI to Fibre Channel Host Adapter for ISP23xx:
    Firmware version: 3.01.18, Driver version 6.05.00b5
Entry address = e08ea060
HBA: QLA2300 , Serial# C81675
Request Queue = 0x518000, Response Queue = 0xc40000
Request Queue count= 128, Response Queue count= 512
Total number of active commands = 0
Total number of interrupts = 7503
Total number of IOCBs (used/max) = (0/600)
Total number of queued commands = 0
    Device queue depth = 0x10
Number of free request entries = 57
Number of mailbox timeouts = 0
Number of ISP aborts = 0
Number of loop resyncs = 47
Number of retries for empty slots = 0
Number of reqs in pending_q= 0, retry_q= 0, done_q= 0, scsi_retry_q= 0
Host adapter:loop state= <READY>, flags= 0x8a0813
Dpc flags = 0x0
MBX flags = 0x0
SRB Free Count = 4096
Port down retry = 008
Login retry count = 008
Commands retried with dropped frame(s) = 0

SCSI Device Information:
scsi-qla0-adapter-node=200000e08b044b4c;
scsi-qla0-adapter-port=210000e08b044b4c;
scsi-qla0-target-0=5005076300c70fad;
scsi-qla0-target-1=10000000c92113e5;
scsi-qla0-target-2=5005076300ce9b0a;
scsi-qla0-target-3=5005076300ca9b0a;
scsi-qla0-target-4=5005076801400153;
scsi-qla0-target-5=500507680140011a;
scsi-qla0-target-6=500507680140017c;
scsi-qla0-target-7=5005076801400150;
scsi-qla0-target-8=5005076801200153;
scsi-qla0-target-9=500507680120011a;
scsi-qla0-target-10=500507680120017c;
scsi-qla0-target-11=5005076801200150;

SCSI LUN Information:
(Id:Lun)
( 2: 0): Total reqs 35, Pending reqs 0, flags 0x0, 0:0:8c,
( 2: 1): Total reqs 29, Pending reqs 0, flags 0x0, 0:0:8c,
( 2: 2): Total reqs 29, Pending reqs 0, flags 0x0, 0:0:8c,
( 2: 3): Total reqs 29, Pending reqs 0, flags 0x0, 0:0:8c,
( 2: 4): Total reqs 29, Pending reqs 0, flags 0x0, 0:0:8c,
( 2: 5): Total reqs 29, Pending reqs 0, flags 0x0, 0:0:8c,
( 2: 6): Total reqs 29, Pending reqs 0, flags 0x0, 0:0:8c,
( 2: 7): Total reqs 29, Pending reqs 0, flags 0x0, 0:0:8c,
:
:
```

The disks that the QLogic adapter recognizes are listed at the end of the output under the heading **SCSI LUN Information**. The disk descriptions are shown one per line. An * at the end of a disk description indicates that the disk is not yet registered with the operating system. SDD cannot configure devices that are not registered with the operating system. Refer to the appropriate *Host Attachment Guide* for your product to learn about SCSI LUN discovery in Linux.

- Enter **cfgvpath query** to verify that you have configured the SCSI disk devices that you allocated and configured for SDD. The **cfgvpath query** is effectively looking at the `/proc/partitions` output.

After you enter the **cfgvpath query** command, a message similar to the following is displayed. This example output is for a system with disk storage system and virtualization product LUNs.

```

/dev/sda ( 8,  0) host=0 ch=0 id=0 lun=0 vid=IBM pid=DDYS-T36950M serial=xxxxxxxxxxx ctlr_flag=0 ctlr_nbr=0 df_ctlr=0 X
/dev/sdb ( 8, 16) host=2 ch=0 id=0 lun=0 vid=IBM pid=2105E20 serial=60812028 ctlr_flag=0 ctlr_nbr=0 df_ctlr=0
/dev/sdc ( 8, 32) host=2 ch=0 id=0 lun=1 vid=IBM pid=2105E20 serial=70912028 ctlr_flag=0 ctlr_nbr=0 df_ctlr=0
/dev/sdd ( 8, 48) host=2 ch=0 id=0 lun=2 vid=IBM pid=2105E20 serial=31B12028 ctlr_flag=0 ctlr_nbr=0 df_ctlr=0
/dev/sde ( 8, 64) host=2 ch=0 id=0 lun=3 vid=IBM pid=2105E20 serial=31C12028 ctlr_flag=0 ctlr_nbr=0 df_ctlr=0
/dev/sdf ( 8, 80) host=2 ch=0 id=1 lun=0 vid=IBM pid=2105E20 serial=60812028 ctlr_flag=0 ctlr_nbr=0 df_ctlr=0
/dev/sdg ( 8, 96) host=2 ch=0 id=1 lun=1 vid=IBM pid=2105E20 serial=70912028 ctlr_flag=0 ctlr_nbr=0 df_ctlr=0
/dev/sdh ( 8, 112) host=2 ch=0 id=1 lun=2 vid=IBM pid=2105E20 serial=31B12028 ctlr_flag=0 ctlr_nbr=0 df_ctlr=0
/dev/sdi ( 8, 128) host=2 ch=0 id=1 lun=3 vid=IBM pid=2105E20 serial=31C12028 ctlr_flag=0 ctlr_nbr=0 df_ctlr=0
/dev/sdj ( 8, 144) host=2 ch=0 id=6 lun=0 vid=IBM pid=2145 serial=600507680183000a800000000000000a ctlr_flag=1 ctlr_nbr=1 df_ctlr=0
/dev/sdk ( 8, 160) host=2 ch=0 id=6 lun=1 vid=IBM pid=2145 serial=600507680183000a800000000000000b ctlr_flag=1 ctlr_nbr=1 df_ctlr=0
/dev/sdl ( 8, 176) host=2 ch=0 id=6 lun=2 vid=IBM pid=2145 serial=600507680183000a800000000000000c ctlr_flag=1 ctlr_nbr=1 df_ctlr=0
/dev/sdm ( 8, 192) host=2 ch=0 id=6 lun=3 vid=IBM pid=2145 serial=600507680183000a800000000000000d ctlr_flag=1 ctlr_nbr=1 df_ctlr=0
/dev/sdn ( 8, 208) host=2 ch=0 id=6 lun=4 vid=IBM pid=2145 serial=600507680183000a800000000000000e ctlr_flag=1 ctlr_nbr=1 df_ctlr=0
/dev/sdo ( 8, 224) host=2 ch=0 id=6 lun=5 vid=IBM pid=2145 serial=600507680183000a800000000000000f ctlr_flag=1 ctlr_nbr=1 df_ctlr=0
/dev/sdp ( 8, 240) host=2 ch=0 id=6 lun=6 vid=IBM pid=2145 serial=600507680183000a8000000000000010 ctlr_flag=1 ctlr_nbr=1 df_ctlr=0
/dev/sdq (65,  0) host=2 ch=0 id=6 lun=7 vid=IBM pid=2145 serial=600507680183000a8000000000000011 ctlr_flag=1 ctlr_nbr=1 df_ctlr=0
/dev/sdr (65, 16) host=2 ch=0 id=6 lun=8 vid=IBM pid=2145 serial=600507680183000a8000000000000012 ctlr_flag=1 ctlr_nbr=0 df_ctlr=0
/dev/sds (65, 32) host=2 ch=0 id=6 lun=9 vid=IBM pid=2145 serial=600507680183000a8000000000000013 ctlr_flag=1 ctlr_nbr=0 df_ctlr=0
/dev/sdt (65, 48) host=2 ch=0 id=7 lun=0 vid=IBM pid=2145 serial=600507680183000a800000000000000a ctlr_flag=1 ctlr_nbr=1 df_ctlr=0
/dev/sdu (65, 64) host=2 ch=0 id=7 lun=1 vid=IBM pid=2145 serial=600507680183000a800000000000000b ctlr_flag=1 ctlr_nbr=1 df_ctlr=0
/dev/sdv (65, 80) host=2 ch=0 id=7 lun=2 vid=IBM pid=2145 serial=600507680183000a800000000000000c ctlr_flag=1 ctlr_nbr=1 df_ctlr=0
/dev/sdw (65, 96) host=2 ch=0 id=7 lun=3 vid=IBM pid=2145 serial=600507680183000a800000000000000d ctlr_flag=1 ctlr_nbr=0 df_ctlr=0
/dev/sdx (65, 112) host=2 ch=0 id=7 lun=4 vid=IBM pid=2145 serial=600507680183000a800000000000000e ctlr_flag=1 ctlr_nbr=1 df_ctlr=0
/dev/sdy (65, 128) host=2 ch=0 id=7 lun=5 vid=IBM pid=2145 serial=600507680183000a800000000000000f ctlr_flag=1 ctlr_nbr=0 df_ctlr=0
/dev/sdz (65, 144) host=2 ch=0 id=7 lun=6 vid=IBM pid=2145 serial=600507680183000a8000000000000010 ctlr_flag=1 ctlr_nbr=1 df_ctlr=0
/dev/sdaa (65, 160) host=2 ch=0 id=7 lun=7 vid=IBM pid=2145 serial=600507680183000a8000000000000011 ctlr_flag=1 ctlr_nbr=0 df_ctlr=0
/dev/sdab (65, 176) host=2 ch=0 id=7 lun=8 vid=IBM pid=2145 serial=600507680183000a8000000000000012 ctlr_flag=1 ctlr_nbr=1 df_ctlr=0
/dev/sdac (65, 192) host=2 ch=0 id=7 lun=9 vid=IBM pid=2145 serial=600507680183000a8000000000000013 ctlr_flag=1 ctlr_nbr=0 df_ctlr=0
/dev/sdad (65, 208) host=2 ch=0 id=10 lun=0 vid=IBM pid=2145 serial=600507680183000a800000000000000a ctlr_flag=1 ctlr_nbr=0 df_ctlr=0
/dev/sdae (65, 224) host=2 ch=0 id=10 lun=1 vid=IBM pid=2145 serial=600507680183000a800000000000000b ctlr_flag=1 ctlr_nbr=1 df_ctlr=0
/dev/sdaf (65, 240) host=2 ch=0 id=10 lun=2 vid=IBM pid=2145 serial=600507680183000a800000000000000c ctlr_flag=1 ctlr_nbr=0 df_ctlr=0
:

```

```

/dev/sda ( 8,  0) host=0 ch=0 id=0 lun=0 vid=IBM pid=DDYS-T36950M serial=xxxxxxxxxxx ctlr_flag=0 ctlr_nbr=0 df_ctlr=0 X
/dev/sdb ( 8, 16) host=2 ch=0 id=0 lun=0 vid=IBM pid=2105E20 serial=60812028 ctlr_flag=0 ctlr_nbr=0 df_ctlr=0
/dev/sdc ( 8, 32) host=2 ch=0 id=0 lun=1 vid=IBM pid=2105E20 serial=70912028 ctlr_flag=0 ctlr_nbr=0 df_ctlr=0
/dev/sdd ( 8, 48) host=2 ch=0 id=0 lun=2 vid=IBM pid=2105E20 serial=31B12028 ctlr_flag=0 ctlr_nbr=0 df_ctlr=0
/dev/sde ( 8, 64) host=2 ch=0 id=0 lun=3 vid=IBM pid=2105E20 serial=31C12028 ctlr_flag=0 ctlr_nbr=0 df_ctlr=0
/dev/sdf ( 8, 80) host=2 ch=0 id=1 lun=0 vid=IBM pid=2105E20 serial=60812028 ctlr_flag=0 ctlr_nbr=0 df_ctlr=0
/dev/sdg ( 8, 96) host=2 ch=0 id=1 lun=1 vid=IBM pid=2105E20 serial=70912028 ctlr_flag=0 ctlr_nbr=0 df_ctlr=0
/dev/sdh ( 8, 112) host=2 ch=0 id=1 lun=2 vid=IBM pid=2105E20 serial=31B12028 ctlr_flag=0 ctlr_nbr=0 df_ctlr=0
/dev/sdi ( 8, 128) host=2 ch=0 id=1 lun=3 vid=IBM pid=2105E20 serial=31C12028 ctlr_flag=0 ctlr_nbr=0 df_ctlr=0
/dev/sdj ( 8, 144) host=2 ch=0 id=6 lun=0 vid=IBM pid=2145 serial=600507680183000a800000000000000a ctlr_flag=1 ctlr_nbr=0 df_ctlr=0
/dev/sdk ( 8, 160) host=2 ch=0 id=6 lun=1 vid=IBM pid=2145 serial=600507680183000a800000000000000b ctlr_flag=1 ctlr_nbr=1 df_ctlr=0
/dev/sdl ( 8, 176) host=2 ch=0 id=6 lun=2 vid=IBM pid=2145 serial=600507680183000a800000000000000c ctlr_flag=1 ctlr_nbr=0 df_ctlr=0
/dev/sdm ( 8, 192) host=2 ch=0 id=6 lun=3 vid=IBM pid=2145 serial=600507680183000a800000000000000d ctlr_flag=1 ctlr_nbr=1 df_ctlr=0
/dev/sdn ( 8, 208) host=2 ch=0 id=6 lun=4 vid=IBM pid=2145 serial=600507680183000a800000000000000e ctlr_flag=1 ctlr_nbr=0 df_ctlr=0
/dev/sdo ( 8, 224) host=2 ch=0 id=6 lun=5 vid=IBM pid=2145 serial=600507680183000a800000000000000f ctlr_flag=1 ctlr_nbr=1 df_ctlr=0
/dev/sdp ( 8, 240) host=2 ch=0 id=6 lun=6 vid=IBM pid=2145 serial=600507680183000a8000000000000010 ctlr_flag=1 ctlr_nbr=0 df_ctlr=0
/dev/sdq (65,  0) host=2 ch=0 id=6 lun=7 vid=IBM pid=2145 serial=600507680183000a8000000000000011 ctlr_flag=1 ctlr_nbr=1 df_ctlr=0
/dev/sdr (65, 16) host=2 ch=0 id=6 lun=8 vid=IBM pid=2145 serial=600507680183000a8000000000000012 ctlr_flag=1 ctlr_nbr=0 df_ctlr=0
/dev/sds (65, 32) host=2 ch=0 id=6 lun=9 vid=IBM pid=2145 serial=600507680183000a8000000000000013 ctlr_flag=1 ctlr_nbr=1 df_ctlr=0
/dev/sdt (65, 48) host=2 ch=0 id=7 lun=0 vid=IBM pid=2145 serial=600507680183000a800000000000000a ctlr_flag=1 ctlr_nbr=1 df_ctlr=0
/dev/sdu (65, 64) host=2 ch=0 id=7 lun=1 vid=IBM pid=2145 serial=600507680183000a800000000000000b ctlr_flag=1 ctlr_nbr=0 df_ctlr=0
/dev/sdv (65, 80) host=2 ch=0 id=7 lun=2 vid=IBM pid=2145 serial=600507680183000a800000000000000c ctlr_flag=1 ctlr_nbr=1 df_ctlr=0
/dev/sdw (65, 96) host=2 ch=0 id=7 lun=3 vid=IBM pid=2145 serial=600507680183000a800000000000000d ctlr_flag=1 ctlr_nbr=0 df_ctlr=0
/dev/sdx (65, 112) host=2 ch=0 id=7 lun=4 vid=IBM pid=2145 serial=600507680183000a800000000000000e ctlr_flag=1 ctlr_nbr=1 df_ctlr=0
/dev/sdy (65, 128) host=2 ch=0 id=7 lun=5 vid=IBM pid=2145 serial=600507680183000a800000000000000f ctlr_flag=1 ctlr_nbr=0 df_ctlr=0
/dev/sdz (65, 144) host=2 ch=0 id=7 lun=6 vid=IBM pid=2145 serial=600507680183000a8000000000000010 ctlr_flag=1 ctlr_nbr=1 df_ctlr=0
/dev/sdaa (65, 160) host=2 ch=0 id=7 lun=7 vid=IBM pid=2145 serial=600507680183000a8000000000000011 ctlr_flag=1 ctlr_nbr=0 df_ctlr=0
/dev/sdab (65, 176) host=2 ch=0 id=7 lun=8 vid=IBM pid=2145 serial=600507680183000a8000000000000012 ctlr_flag=1 ctlr_nbr=1 df_ctlr=0
/dev/sdac (65, 192) host=2 ch=0 id=7 lun=9 vid=IBM pid=2145 serial=600507680183000a8000000000000013 ctlr_flag=1 ctlr_nbr=0 df_ctlr=0
/dev/sdad (65, 208) host=2 ch=0 id=10 lun=0 vid=IBM pid=2062 serial=600507680183000a800000000000000a ctlr_flag=1 ctlr_nbr=0 df_ctlr=0
/dev/sdae (65, 224) host=2 ch=0 id=10 lun=1 vid=IBM pid=2062 serial=600507680183000a800000000000000b ctlr_flag=1 ctlr_nbr=1 df_ctlr=0
/dev/sdaf (65, 240) host=2 ch=0 id=10 lun=2 vid=IBM pid=2062 serial=600507680183000a800000000000000c ctlr_flag=1 ctlr_nbr=0 df_ctlr=0
:

```

The sample output shows the name and serial number of the SCSI disk device, its connection information, and its product identification. A capital letter X at the end of a line indicates that SDD currently does not support the device or the device is in use and **cfgvpath** has not configured it. The **cfgvpath** utility examines `/etc/fstab` and the output of the **mount** command in order to determine the disks that it should not configure. If **cfgvpath** has not configured a disk that you think it should have configured, verify that an entry for one of

these disks exist in `/etc/fstab` or in the output of the **mount** command. If the entry is incorrect, delete the wrong entry and execute **cfgvpath** again to configure the device.

Automatic SCSI disk device exclusion during SDD configuration

The SDD configuration might sometimes exclude a SCSI disk (`sd`) device that is present on the system from being configured for use by an SDD vpath device in the following situations:

1. The SCSI disk device is from an unsupported storage subsystem.
You can determine whether your SCSI disk devices are supported by running **cfgvpath query** and checking the output. See “Configuration and verification of SDD” on page 179 for additional information about how to determine whether the SCSI disk devices are supported.
2. The SCSI disk device is listed in the file `/etc/fstab`.
`fstab` is a configuration file that contains information about the important file system information regarding disk devices and partitions, such as how and where they should be mounted. For example, an entry specifying the disk or partition that acts as swap space would be in `fstab`. The system administrator must keep the `fstab` configuration file up-to-date so that when SDD checks this file, it is able to correctly exclude drives and partitions.
3. The SCSI disk device is currently mounted (using the Linux **mount** command).
SDD configuration assumes that the device is in use for another purpose and will not configure the device.
4. The SCSI disk device is currently bound to a raw device. Use the **raw -qa** command to check the raw device bindings. If the major, minor pair of the raw command output matches with an SCSI disk device major, minor pair, then the SCSI disk device will be excluded.

Important things to note about the exclusion process are:

1. When running **cfgvpath** or **sdd start**, the SDD configuration will print out a message indicating whether it has excluded any SCSI disk devices.
2. Once an SCSI disk device that belongs to an SDD vpath device is excluded, all SCSI disk devices (or paths) belonging to the SDD vpath device will be excluded.

SDD userspace commands for reconfiguration

You can use the following commands when reconfiguring SDD vpath devices:

cfgvpath

Enter **cfgvpath** to configure SDD vpath devices.

The configuration information is saved by default in the `/etc/vpath.conf` file to maintain vpath name persistence in subsequent driver loads and configurations. You might choose to specify your own configuration file by issuing the **cfgvpath -f configuration_file_name.cfg** command where *configuration_file_name* is the name of the configuration file that you want to specify. If you use a self-specified configuration file, SDD only configures the SDD vpath devices that this file defines.

Enter **cfgvpath ?** for more information about the **cfgvpath** command.

rmvpath

You can remove an SDD vpath device by using the **rmvpath** *vpath_name* command, where *vpath_name* represents the name of the SDD vpath device that is selected for removal.

Enter **rmvpath ?** for more information about the **rmvpath** command.

lsvpcfg

Verify the SDD vpath device configuration by entering **lsvpcfg** or **datapath query device**.

If you successfully configured SDD vpath devices, output similar to the following is displayed by **lsvpcfg**. This example output is for a system with disk storage system and virtualization product LUNs:

```
sdd-mod: SDD 1.6.0.0 2.4.19-64GB-SMP SMP Mar 3 2003 18:06:49 (C) IBM Corp.
000 vpatha ( 247, 0) 60812028 = /dev/sdb /dev/sdf /dev/sdax /dev/sdbb
001 vpathb ( 247, 16) 70912028 = /dev/sdc /dev/sdg /dev/sday /dev/sdbc
002 vpathc ( 247, 32) 31B12028 = /dev/sdd /dev/sdh /dev/sdaz /dev/sdbd
003 vpathd ( 247, 48) 31C12028 = /dev/sde /dev/sdi /dev/sdba /dev/sdbe
004 vpathe ( 247, 64) 600507680183000a800000000000000a = /dev/sdj /dev/sdt /dev/sdad /dev/sdan /dev/sdbf /dev/sdbp /dev/sdbz /dev/sdcj
005 vpathf ( 247, 80) 600507680183000a800000000000000b = /dev/sdk /dev/sdu /dev/sdae /dev/sdao /dev/sdbg /dev/sdbq /dev/sdca /dev/sdck
006 vpathg ( 247, 96) 600507680183000a800000000000000c = /dev/sdl /dev/sdv /dev/sdaf /dev/sdap /dev/sdbh /dev/sdbr /dev/sdcb /dev/sdc1
007 vpathh ( 247, 112) 600507680183000a800000000000000d = /dev/sdm /dev/sdw /dev/sdag /dev/sdaq /dev/sdbi /dev/sdbs /dev/sdcc /dev/sdcm
008 vpathi ( 247, 128) 600507680183000a800000000000000e = /dev/sdn /dev/sdx /dev/sdah /dev/sdar /dev/sdbj /dev/sdbt /dev/sdcd /dev/sdcn
009 vpathj ( 247, 144) 600507680183000a800000000000000f = /dev/sdo /dev/sdy /dev/sdai /dev/sdas /dev/sdbk /dev/sdbu /dev/sdce /dev/sdco
010 vpathk ( 247, 160) 600507680183000a8000000000000010 = /dev/sdp /dev/sdz /dev/sdaj /dev/sdat /dev/sdb1 /dev/sdbv /dev/sdcf /dev/sdcp
011 vpathl ( 247, 176) 600507680183000a8000000000000011 = /dev/sdq /dev/sdaa /dev/sdak /dev/sdau /dev/sdbm /dev/sdbw /dev/sdcg /dev/sdcq
012 vpathm ( 247, 192) 600507680183000a8000000000000012 = /dev/sdr /dev/sdab /dev/sdal /dev/sdav /dev/sdbn /dev/sdbx /dev/sdch /dev/sdcr
013 vpathn ( 247, 208) 600507680183000a8000000000000013 = /dev/sds /dev/sdac /dev/sdam /dev/sdaw /dev/sdbo /dev/sdby /dev/sdci /dev/sdcs
```

See Chapter 13, “Using the datapath commands,” on page 371 for more information about the **datapath query device** command and all other SDD datapath commands.

addpaths

You can issue the **addpaths** command to add paths to existing SDD vpath devices. For SDD to discover new paths, the Linux kernel SCSI disk driver must already be aware of the path. For example, **addpaths** would be useful in a scenario where disks are configured and are visible to the OS but were unavailable at the time that SDD was configured because of a failed switch or unplugged fibre cable. Later, when the disks are recovered through the recovery process or maintenance, then **addpaths** can be executed on a running system to add the restored paths.

Use the **addpaths** command to add new paths to existing disks. Use **cfgvpath** to add new disks. See “Dynamic reconfiguration” on page 187.

Note: For Linux 2.6 kernels, **addpaths** is not supported because the functionality of **addpaths** has been incorporated into the **cfgvpath** command. To add new paths to existing disks when using a Linux 2.6 kernel, run **cfgvpath**.

Configuring SDD at system startup

Note: SDD is currently set to not be loaded on system startup after installation. Use this section to load SDD on system startup. A rpm upgrade does not change the current configuration.

SDD can be set to automatically load and configure when your Linux system starts up. SDD provides a startup script `sdd.rcscript` file in the `/opt/IBMsdd/bin` directory and creates a symbolic link to `/etc/init.d/sdd`.

Perform the following steps to configure SDD at system startup:

1. Log on to your Linux host system as the root user.
2. At startup run one of these commands to enable run level X:
For Red Hat:
chkconfig --level X sdd on
For SUSE:
chkconfig --set sdd X
3. Enter **chkconfig --list sdd** to verify that the system startup option is enabled for SDD configuration.
4. Restart your host system so that SDD is loaded and configured.

If necessary, you can disable the startup option by entering:

chkconfig --level X sdd off

In order for SDD to automatically load and configure, the host bus adapter (HBA) driver must already be loaded. This can be assured at start time by adding the appropriate driver or drivers to the kernel's initial RAM disk. See the Red Hat **mkinitrd** command documentation or the SUSE **mk_initrd** command documentation for more information. Additional suggestions might be available from the HBA driver vendor.

Sometimes certain system configurations require SDD to start earlier than is possible under the procedure described above. The general rule is: if some application, filesystem, or other product needs to use an SDD vpath device before it is loaded in the system init scripts, then you will need to use another procedure to start SDD to allow these applications or filesystems access to SDD vpath devices. Some of the known system configurations are described below. This is not an exhaustive list, but it does provide an idea of situations where other methods are required:

1. SDD remote boot
If booting off of a SDD vpath device, SDD needs to be available before the root filesystem is mounted. This means SDD needs to be placed in the initial ramdisk (initrd). See "Bootting Linux over the SAN with SDD" on page 194 for more instructions on how to set up this environment.
2. Linux Logical Volume Manager (LVM) with SDD
Linux LVM with SDD often requires SDD to start early in the init script process because the LVM initialization occurs relatively early. If LVM is used to encapsulate the root disk, then SDD needs to be placed in the initial ramdisk (initrd). See "Using Linux Logical Volume Manager with SDD" on page 191 for more information.

Any other customized application, driver, or filesystem that requires access to a SDD vpath device early in the boot process might require: (1) SDD be placed in the initial ramdisk (initrd), or (2) the SDD startup script be placed in earlier in the init scripts.

Maintaining SDD vpath device configuration persistence

Use the **cfgvpath** command to configure SDD vpath devices. For first time configuration, the configuration method finds all SCSI disk devices, then configures

and assigns SDD vpath devices accordingly. The configuration is saved in `/etc/vpath.conf` to maintain name persistence in subsequent driver loads and configurations.

The `/etc/vpath.conf` is not modified during a `rpm` upgrade (`rpm -U`). However, if the `rpm` is removed and reinstalled (using the `rpm -e` and `rpm -i` commands), the `/etc/vpath.conf` is removed. If you are doing a `rpm` removal, it is important to manually save your `/etc/vpath.conf` and restore it after the `rpm` has been reinstalled, before executing `sdd start`.

After the SDD vpath devices are configured, issue `lsvpcfg` or the `datapath query device` command to verify the configuration. See “datapath query device” on page 381 for more information.

You can manually exclude a device in `/etc/vpath.conf` from being configured. To manually exclude a device from being configured, edit the `vpath.conf` file prior to running `sdd start`, adding a `#` before the first character of the entry for the device that you want to remain unconfigured. Removing the `#` allows a previously excluded device to be configured again.

The following output shows the contents of a `vpath.conf` file with `vpathb` and `vpathh` not configured:

```
vpatha 60920530
#vpathb 60A20530
vpathc 60B20530
vpathd 60C20530
vpathe 70920530
vpathf 70A20530
vpathg 70B20530
#vpathh 70C20530
```

Dynamically changing the SDD path-selection policy algorithm

SDD supports path-selection policies that increase the performance of multipath-configured supported storage devices and make path failures transparent to applications. The following path-selection policies are supported:

failover only (fo)

All I/O operations for the device are sent to the same (preferred) path until the path fails because of I/O errors. Then an alternate path is chosen for subsequent I/O operations.

load balancing (lb)

The path to use for an I/O operation is chosen by estimating the load on the adapter to which each path is attached. The load is a function of the number of I/O operations currently in process. If multiple paths have the same load, a path is chosen at random from those paths. Load-balancing mode also incorporates failover protection.

The load-balancing policy is also known as the *optimized policy*.

load balancing sequential (lbs)

This policy is the same as the load-balancing policy with optimization for sequential I/O.

The load-balancing sequential policy is also known as the *optimized sequential policy*. This is the default setting.

round robin (rr)

The path to use for each I/O operation is chosen at random from paths that were not used for the last I/O operation. If a device has only two paths, SDD alternates between the two.

round robin sequential (rrs)

This policy is the same as the round-robin policy with optimization for sequential I/O.

The default path-selection policy for an SDD device is load balancing sequential. You can change the policy for an SDD device. SDD supports dynamic changing of the SDD devices' path-selection policy.

Before changing the path-selection policy, determine the active policy for the device. Enter **datapath query device *N*** where *N* is the device number of the SDD vpath device to show the current active policy for that device.

datapath set device policy command

Use the **datapath set device policy** command to change the SDD path-selection policy dynamically:

See “datapath set device policy” on page 395 for more information about the **datapath set device policy** command.

Dynamic reconfiguration

Before SDD can configure a dynamically-added LUN, the OS and HBA drivers must detect and configure it. Typically, to see a LUN that has been dynamically added, a reload of the HBA driver is required. However, specific versions of HBA drivers and adapters might offer procedures to force a re-scan of the bus in order to detect new LUNs without requiring a driver reload. In general, the QLogic and Emulex drivers for Linux 2.6 kernels (that is, SLES 9 and RHEL 4) offer procedures using the sysfs interface. The HBA drivers for the Linux 2.4 kernel have more limited options. You should refer to the respective HBA vendor's documentation to determine if a procedure is supported and, if so, with which HBA driver versions.

If a HBA driver reload is used, it is important to run **sdd stop** before unloading the HBA driver and **sdd start** after the HBA driver has been reloaded. If a procedure is used that does not require a HBA reload, then running **cfgvpath** will be adequate to configure the added LUN. See the note below.

The **cfgvpath** command finds the current hardware configuration and compares it to the SDD vpath device configuration in memory and then identifies a list of differences. It then issues commands to update the SDD vpath device configuration in memory with the current hardware configuration. The commands that **cfgvpath** issues to the SDD driver are:

- Add an SDD vpath device.
- Remove an SDD vpath device; this will fail if device is busy.
- Add path to an SDD vpath device. (Only for SDD drivers on Linux 2.6 kernels.)
- Remove path for an SDD vpath device; this will fail deletion of path if device is busy, but will set path to DEAD and OFFLINE. (Only for SDD drivers on Linux 2.6 kernels.)

Note: Although unlikely, it is possible that the procedure provided by the HBA vendor to force a re-scan of the bus can cause SCSI device name slippage in the OS, which means the same device file name refers to different LUNs

before and after the re-scan. For example, before the dynamic LUN addition, /dev/sda denoted a path to LUN 0, but after LUN 1 is added dynamically, /dev/sda now refers to a path to LUN 1. In such a scenario, running **sdd restart** is required. In SDD 1.6.1.0 versions and later, **cfgvpath** will automatically refuse to configure the added LUN if name slippage has occurred.

Uninstalling SDD

You must unload the SDD driver before uninstalling SDD. Perform the following steps to remove SDD from a Linux host system:

1. Log on to your Linux host system as the root user.
2. Enter **sdd stop** to remove the driver.
3. Enter **rpm -e IBMsdd** to remove the SDD package.
4. Verify the SDD removal by entering either **rpm -q IBMsdd** or **rpm -ql IBMsdd**.

If you successfully removed SDD, output similar to the following is displayed:

```
package IBMsdd is not installed
```

Note: The **sdd stop** command will not unload a driver that is in use.

Mounting SDD devices with automount

This procedure describes how to automatically mount vpath partitions using the program **automount**. **automount** is a daemon that includes a kernel component that will automatically mount partitions when accessed.

For example, if you had an SDD device vpatha configured to automount at the mount point /mnt/vpatha, then vpatha would not be mounted until any program tried to access something on that mount point. Once automount has automatically mounted the device, it can also automatically unmount the device after a certain timeout value, unless otherwise specified.

Setting up automount

The **autofs** daemon should be set up at boot time by default. To check this, enter the following command:

```
chkconfig --list autofs
```

The output of the command should state the runlevels to which **autofs** is set. For example:

```
autofs          0:off  1:off  2:off  3:on   4:on   5:on   6:off
```

This output indicates that **autofs** is running on runlevels 3, 4, and 5, which should be the default setting. If you notice that the **autofs** daemon is not running on runlevels 3, 4, 5, execute the following commands to ensure that it will run on startup:

On SUSE:

```
chkconfig autofs 345
```

On Red Hat:

```
chkconfig --level 345 autofs on
```

Configuring automount

Use the following steps to configure automount:

1. Configure the master map file.

Automount configuration requires the configuration of the master map file, `/etc/auto.master`.

The format of the file is the following:

```
[mount point] [map file] [options]
```

where,

mount point

This variable will be the master mount point under which all the `vpath` devices will be mounted. For example, `/mnt`, or `/vpath` (note that it is an absolute path).

Note: The mount point that you specify will be mounted over by **autofs**. That means that whatever items you had mounted at that mount point will be invisible once **automount** is activated. Thus, ensure that you do not have conflicting mount points for separate applications and that if you plan to mount other things under the master mount point, you do so with **automount** and not within **fstab** or another facility or script. If the conflict is unavoidable, change the automount master mount point to a nonconflicting mount point to prevent problems from occurring.

map file

This is another separate file that will describe under which names certain devices will be mounted and the mount variables for the device. Usually, it is named after the mount point, such as `auto.mnt` or `auto.vpath`. It will usually reside under `/etc`.

options

These are the options that you can specify and can be referenced by the automount man page.

The most relevant setting is the **--timeout** setting. The timeout setting is the number of seconds that automount will wait for mount point access before unmounting that mount point. If you set this value to 0, automount will not attempt to unmount the master mount point (that is, it will remain permanently mounted unless it is manually unmounted). The default setting is 5 minutes.

The following example shows a sample `auto.master` file:

```
/vpath /etc/auto.vpath --timeout=0
```

2. Configure the secondary map file.

The secondary map file is the file referred to by the file `/etc/auto.master`. The format of this map file is:

```
[secondary mount point] [mount options] [device name]
```

where,

secondary mount point

The secondary mount point is the mount point relative to the master mount point. For example, if you wanted `vpatha` to be mounted at `/vpath/vpatha`, then you would set this secondary mount point to `vpatha`.

mount options

The mount options are standard options passed to the Linux mount command using the `-o` option. The only difference is that you can use the option `fstype` to specify the exact filesystem type of the device. For example, you can use `ext2`, `ext3`, `reiserfs`, etc for the `fstype`. You can find the other options under the man page for mount.

We suggest that you set the `fstype` to the correct value, and use the two options `defaults` and `check=normal`. Defaults will give some values to the filesystem that are standard for most Linux operating environments. The `check=normal` option will ensure that certain sanity checks are made on the filesystem before mounting. You can set `check=strict` to ensure even stricter checking rules during mount time; but performance might be degraded. Most modern filesystems will check themselves after a certain number of mounts.

device name

The following example shows a sample `auto.vpath` file:

```
vpatha -fstype=ext3,defaults,check=normal :/dev/vpatha
vpathi -fstype=ext2,defaults,check=normal :/dev/vpathi
```

3. Capture your new file settings. Test with a reboot cycle at least once to ensure that `autofs` is loaded with the current map files and that the system will automatically mount the devices correctly. Perform one of the following steps:
 - Reboot the system.
 - Run `/etc/init.d/autofs restart`.

Sample mount output

The following samples shows example output.

Mount output with automount loaded and before accessing `/vpath/vpatha`:

```
/dev/hda3 on / type ext3 (rw)
none on /proc type proc (rw)
none on /dev/pts type devpts (rw,gid=5,mode=620)
/dev/hda1 on /boot type ext3 (rw)
none on /dev/shm type tmpfs (rw)
automount(pid14846) on /vpath type autofs (rw,fd=4,pgrp=14846,minproto=2,maxproto=4)
```

Mount output after accessing `/vpath/vpatha`:

```
/dev/hda3 on / type ext3 (rw)
none on /proc type proc (rw)
none on /dev/pts type devpts (rw,gid=5,mode=620)
/dev/hda1 on /boot type ext3 (rw)
none on /dev/shm type tmpfs (rw)
automount(pid14846) on /vpath type autofs (rw,fd=4,pgrp=14846,minproto=2,maxproto=4)
/dev/vpatha on /vpath/vpatha type ext3 (rw,check=normal)
```

Mount output after accessing `/vpath/vpathi`:

```
/dev/hda3 on / type ext3 (rw)
none on /proc type proc (rw)
none on /dev/pts type devpts (rw,gid=5,mode=620)
/dev/hda1 on /boot type ext3 (rw)
none on /dev/shm type tmpfs (rw)
automount(pid16309) on /vpath type autofs (rw,fd=4,pgrp=16309,minproto=2,maxproto=4)
/dev/vpatha on /vpath/vpatha type ext3 (rw,check=normal)
/dev/vpathi on /vpath/vpathi type ext2 (rw,check=normal)
```

Using Linux Logical Volume Manager with SDD

Using Linux Logical Volume Manager (LVM) with SDD requires some configuration to ensure the correct behavior. LVM 2 (on 2.6 kernels, that is, SLES 9 and RHEL 4) requires some additional configuration that is discussed at the end of this section.

In order to use SDD with the Linux LVM, the SDD module must be loaded and vpath devices configured before LVM is loaded. This is because LVM has a dependency on SDD vpath devices, and therefore SDD must be loaded prior to LVM startup.

Note: This procedure will describe how to set up SDD to load before LVM using boot up scripts. This procedure might not work if LVM is loaded in the `initrd` (initial ramdisk). One common reason why LVM would be loaded in the `initrd` is because the system is booting off of an LVM device for its root disk. Supporting this type of environment requires that SDD also be placed in the `initrd`, which is a process that is not described here.

The procedures and requirements are different for SUSE and Red Hat.

Using LVM on SUSE

LVM with SDD on SLES 8 is only supported on LVM version `lvm-1.0.5-129` or later. Please upgrade your LVM to this version or later using the SUSE maintweb update. Your LVM will not work with SDD vpath devices correctly otherwise.

LVM 2 with SDD on SLES 9 will work after following the LVM 2-specific directions at the end of this section.

In order to get SDD to load before LVM, you need to load SDD at boot time using the bootup scripts. Follow the following steps:

1. **cd /etc/init.d/**
2. **cp /opt/IBMsdd/bin/sdd.rcscript boot.sdd**
3. Edit the `boot.sdd` file and add the following line to the beginning of the start function:

```
mount -n -o remount,rw / 2> /dev/null
```

Because the SDD configuration utility (`cfgvpath`) needs to be able to write certain configuration parameters to the root disk, this line is needed to remount the root filesystem in read/write mode.

4. Add another line at the end of the start function to remount the root filesystem back into read only mode in order to restore the mount state before and after we get into this function. The system will itself remount the filesystem to read write at a later point in the boot process. This is the line to remount in read only mode:

```
mount -n -o remount,ro / 2> /dev/null (the only change from above is ro)
```

Your start function start should look like this:

```
start() {  
    mount -n -o remount,rw / 2> /dev/null # ADDED THIS LINE  
    echo -n "Starting $dev_name driver load: "  
    rm -f ${driver_dir}/${driver}.o  
    ...  
    mount -n -o remount,ro / 2> /dev/null # ADDED THIS LINE  
}
```

5. `cd /etc/init.d/boot.d`
6. Create a link named `Sxxboot.sdd` with `xx` being a number smaller than the one that is on the LVM boot script link. For example, the LVM on this system is at `S04boot.lvm`:

```
# ls -l | grep lvm  
lrwxrwxrwx 1 root root 11 Aug 12 17:35 S04boot.lvm -> ../boot.lvm*
```

Because LVM is loading up at `S04`, we need to set `SDD` to at least `S03` in order to avoid this problem. Therefore we create a link to the `boot.sdd` file that we just modified:

```
# ln -s ../boot.lvm S03boot.sdd
```

Here are the results:

```
# ls -l  
...  
lrwxrwxrwx 1 root root 11 Mar 11 12:03 S03boot.sdd -> ../boot.sdd*  
lrwxrwxrwx 1 root root 11 Aug 12 17:35 S04boot.lvm -> ../boot.lvm*  
...
```

Because SUSE uses the numbering scheme to determine which script will be run first at boot time, we are ensuring that the `SDD` script will be run before the `LVM` script is run.

7. If you have `SDD` starting in the runlevel init scripts, you need to shut off the script. You can do this using the `chkconfig` command:

```
chkconfig -s sdd off
```

8. Configure LVM. Reboot the system and the LVM configuration should come up after reboot using `SDD` vpath devices.

Using LVM on Red Hat

LVM with `SDD` on RHEL 3 is only supported on LVM version `lvm-1.0.8-14` or later. This is the LVM level that comes packaged with RHEL 3 Update 6. Please upgrade your LVM to this version or later using the Red Hat `up2date` utility. Your LVM will not work with `SDD` vpath devices correctly otherwise.

LVM 2 with `SDD` on RHEL 4 will work after following the LVM 2-specific directions at the end of this section.

In order to get `SDD` to load before LVM, use the following steps to cause `SDD` to load at boot time.

1. Edit the file `/etc/rc.sysinit`.
2. Locate the block of commands that start with the following:

```
# Remount the root filesystem read-write.
update_boot_stage RCmountfs
state=`awk '/ \/ / && ($3 !~ /rootfs/) { print $4 }' /proc/mounts`
[ "$state" != "rw" -a "$READONLY" != "yes" ] && \
action $"Remounting root filesystem in read-write mode: " mount -n -o remount,rw /

# LVM initialization
...
```

3. Append the following to the end of the block of commands, before the `# LVM initialization` comment, or on RHEL 4, before the `# LVM2 initialization` comment:

```
# Starting SDD
/etc/init.d/sdd start
```

4. The affected section of the `rc.sysinit` file should look like this:

```
# Remount the root filesystem read-write.
update_boot_stage RCmountfs
state=`awk '/ \/ / && ($3 !~ /rootfs/) { print $4 }' /proc/mounts`
[ "$state" != "rw" -a "$READONLY" != "yes" ] && \
action $"Remounting root filesystem in read-write mode: " mount -n -o remount,rw /

# Starting SDD
/etc/init.d/sdd start

# LVM initialization
...
```

5. If you have SDD starting in the runlevel init scripts, you need to shut off the script. You can do this using the `chkconfig` command.

```
chkconfig sdd off
```

6. Configure LVM.
7. Reboot the system and the LVM configuration should come up after reboot using SDD vpath devices.

LVM 2 general configuration information

The information in this section only applies to systems running LVM version 2. This means that the system should be running a 2.6 kernel, such as SLES 9 or RHEL 4.

LVM2 refers to a new userspace toolset that provides logical volume management facilities on Linux. In order for LVM2 to work on your machine, you must have the LVM2 rpm installed; look on the OS install CD's for the LVM2 package.

In order to get LVM2 to run with SDD, several changes must be made to the LVM configuration file `/etc/lvm/lvm.conf`. In this file, there are several fields that must be modified. As always, back up the file before attempting to modify it.

Under the section **devices**, there are two values that must be modified.

1. Value of *filter*.

In the file, you might see the default as the following:

```
# By default we accept every block device except udev names:
filter = [ "r|/dev./*/by-path./*/", "r|/dev./*/by-id./*/", "a./*/" ]
```

This filter is too broad for SDD, because it will recognize both SDD vpath devices as well as the underlying paths (that is, /dev/sdxxx) to that SDD vpath device. We want to narrow this regular expression to just accept vpath devices and not the underlying SCSI disk devices. The easiest way to do this is to modify the regular expression to just accept the name vpath, and to ignore all other types of devices. This is the simplest example. Adjust the example according to your environment.

```
filter = [ "a/vpath[a-z]*/", "r./*/" ]
```

This regular expression will accept all vpath devices and reject all other devices under /dev.

2. Value of *types*.

In the file, you will see that it is commented out:

```
# List of pairs of additional acceptable block device types found
# in /proc/devices with maximum (non-zero) number of partitions.
# types = [ "fd", 16 ]
```

Delete the comment marker, and replace fd with vpath. This allows LVM to add vpath to its list of internally recognized devices. The partition number should stay at 16. For example:

```
types = [ "vpath", 16 ]
```

After making these two changes, save the lvm.conf file.

You should be able to run **pvcreate** on vpath devices (that is, /dev/vpatha) and create volume groups using **vgcreate**.

Booting Linux over the SAN with SDD

This section discusses the following procedures for remote booting Linux with SDD:

- “SAN Boot instructions for RHEL 3 with IBM SDD (x86)”
- “SAN Boot instructions for RHEL 3 with IBM SDD (ppc)” on page 201
- “SAN Boot Instructions for SLES 8 with IBM SDD (x86)” on page 210
- “SAN Boot Instructions for SLES 9 with IBM SDD (x86)” on page 219
- “SAN Boot instructions for SLES 9 with IBM SDD (ppc)” on page 225
- “SAN Boot Instructions for SLES 9 with IBM SDD (x86) and LVM 2” on page 232
- “SAN Boot instructions for RHEL 4 with IBM SDD (x86)” on page 240
- “SAN Boot instructions for RHEL 4 with IBM SDD (ppc)” on page 246
- “SAN boot instructions for RHEL 4 with IBM SDD (x86) and LVM 2” on page 252
- “Using lilo with SDD (remote boot) on x86” on page 259

SAN Boot instructions for RHEL 3 with IBM SDD (x86)

The following procedure is used to install RHEL 3 x86 with fibre-channel connect storage. This procedure assumes that no installation is present to work from and when completed, the boot and swap devices will be running on IBM SDD vpath devices.

Prerequisite steps

1. Ensure that the following conditions exist before continuing with this procedure:
 - a. The installation target **MUST** be single-pathed before installing RHEL 3.
 - b. Have a copy of RHEL 3 x86 either network-accessible or on CD-ROM.
 - c. Be familiar with the RHEL 3 installation. This includes understanding which packages will be installed.
 - d. Be familiar with how to set up a SAN network or direct-attached SAN storage devices so that the host system can access LUNs from those storage systems. (This procedure was performed on an ESS Model 800).
 - e. Be familiar with creating LUNs on the ESS Model 800 so that the host can access the ESS Model 800 devices.
 - f. Although SDD functions correctly in single-path environments, it is recommended that there be redundant physical paths to the devices from the host after installation of RHEL 3.
 - g. Optionally, have an understanding of how the Linux kernel boot process functions and what processes and procedures that are used to boot a Linux distribution for a local storage device.
 - h. Ensure that there will be network access to the system.

2. Configure QLogic Devices

Note: For ease of installation and to avoid issues with internal SCSI or IDE controllers, it is recommended that all internal disk drive controllers be disabled. This procedure assumes that this has been done.

- Verify that the QLogic SAN HBA devices that are configured for the host have been setup to have their BOOT BIOS enabled. This permits discovery and use of SAN disk devices during this procedure. While in the QLogic Utility, configure the ESS Model 800 device from which the system will boot. If the utility cannot see the correct device, check the SAN and ESS Model 800 configurations before continuing.

3. Configure Boot/Root/SWAP devices.

- The boot device that will be used for installation and booting should be at least 4 GB in size. This is the minimum size for installing a base package set from the installation media to the boot devices.
- It is also recommended that the swap device be at least the size of physical memory that is configured in the host. For simplicity these instructions assume that the boot, root, and swap devices are all located on the same device. However, this is not a requirement for the installation.

4. Installation Media

The installation media, or source for installation, can be CD-ROM, NFS, HTTP, FTP, and so forth. For this installation, we use an NFS-exported set of CD-ROMs. Any of the installation sources listed can be used.

5. Install

- From the BIOS Menus select the installation source to boot from. Verify that the QLogic XXXXXX SAN HBA module is loaded and that the SAN devices that will be used for installation have been detected successfully.
- **NOTE:** Because of the way Linux discovers SAN devices, and if SAN devices have already been configured for multiple path access, Linux will discover the same physical device multiple times, once for each logical path to the device. Note which device will be used for the installation before proceeding, that is, /dev/sda.

- Select the desired options until arriving at the Installation Settings. Here, modifications of the partitioning settings are required for this installation. This is to make sure that the device noted in the previous step will be used for the root/boot installation target.
- NOTE: The details of installation and partitioning are not written up here. Please refer to installation procedures to determine which packages are needed for the type of system being installed.

6. Rebooting

- On reboot, modify the BIOS to boot from hard disk. The system should now boot to the newly installed OS.
- Verify that the system is booted from the correct disk and vpaths.
- At this point the installed boot device can be set as the default boot device for the system. This step is not required, but is suggested because it enables unattended reboots after this procedure is complete.

7. Upgrading the SDD driver

At the end of this document are instructions on how to upgrade the SDD driver.

SAN boot configuration

The system should be booted in single-path mode from the SAN. Verify this by looking at the mounted devices and where the root is mounted, using the **df** command. Also verify that the swap, using **swapon -s** and other configured partitions are correctly mounted. This completes the single-path boot from SAN. To modify the boot/root and other devices for booting using the SDD driver continue with the following steps.

Note: The following instructions are examples and the values used herein might be different on your systems. In some cases, there will not be a /boot mount but rather the boot files will reside in the directory /boot on the root "/" mounted file system. It is recommended but not required that vpatha be used as the vpath boot device.

1. Install the IBM SDD driver

Download and install the IBM SDD driver for the kernel version being used. SDD is packaged in an RPM format and can be installed using the **rpm** command. See "Installing SDD" on page 175 for more information.

2. Gather SDD data in preparation for configuring /etc/fstab, menu.lst and /boot/initrd.

```
sdd start
```

The /etc/vpath.conf file has now been created. You should ensure that vpatha is the root device. We must get the root's physical device's LUN ID using the **cfgvpath query** command (in this procedure sda is the root device).

The **cfgvpath query** command will produce output similar to the following: Note that some data from the following output has been modified for ease of reading.

```

cfgvpath query
/dev/sda (8, 0) host=0 ch=0 id=0 lun=0 vid=IBM pid=2105800 serial=12020870
lun_id=12020870
/dev/sdb (8, 16) host=0 ch=0 id=0 lun=1 vid=IBM pid=2105800 serial=12120870
lun_id=12120870
/dev/sdc (8, 32) host=0 ch=0 id=0 lun=2 vid=IBM pid=2105800 serial=12220870
lun_id=12220870
/dev/sdd (8, 48) host=0 ch=0 id=0 lun=3 vid=IBM pid=2105800 serial=12320870
lun_id=12320870

```

The lun_id for /dev/sda is 12020870. Edit the /etc/vpath.conf file using the lun_id for vpatha. Remove all other entries from this file (they will be automatically added later by SDD) .

3. Modify the /etc/fstab file

There is a one-to-one correlation between sd and vpath minor devices, that is, sda1 and vpatha1. Major devices, however, might not necessarily correlate, that is, sdb1 could be vpathd1.

Note that because /boot was installed on /dev/sda1 and we have made vpatha correspond to sda in the/etc/vpath.conf file then /dev/vpatha1 will be the mount device for /boot.

Example:

Change from:

LABEL=/1	/	ext3	defaults	1 1
LABEL=/boot1	/boot	ext3	defaults	1 2
none	/dev/pts	devpts	gid=5,mode=620	0 0
none	/proc	proc	defaults	0 0
none	/dev/shm	tmpfs	defaults	0 0
/dev/sda2	swap	swap	defaults	0 0

To:

/dev/vpatha3	/	ext3	defaults	1 1
/dev/vpatha1	/boot	ext3	defaults	1 2
none	/dev/pts	devpts	gid=5,mode=620	0 0
none	/proc	proc	defaults	0 0
none	/dev/shm	tmpfs	defaults	0 0
/dev/vpatha2	swap	swap	defaults	0 0

4. Prepare the initrd file.

The [initrd file] refers to the current initrd in /boot. The correct initrd can be determined by the following method:

```

ls -lA /boot | grep initrd | grep $(uname -r)
cd /boot
cp [initrd file] to initrd.vp.gz
gunzip initrd.vp.gz
mkdir /boot/mnt

```

5. For ext2 file system initrds, you might need to resize the initrd file system.

```

dd if=/dev/zero of=initrd.vp seek=33554432 count=1 bs=1
losetup /dev/loop0 initrd.vp
e2fsck -f /dev/loop0
resize2fs -f /dev/loop0
losetup -d /dev/loop0

```

Note: Adding the `ramdisk_size=` option to the kernel entry in the boot loader file is required after increasing the size of the `initrd` file. For resizing the `initrd` to 33554432 add the following to the `/boot/grub/menu.lst` file, `ramdisk_size=34000`

Modify the `/boot/grub/menu.lst` file. Add an entry for the SDD boot using `initrd.vp`.

```
title Red Hat Enterprise Linux AS (2.4.21-32.0.1.ELsmp) with vpath/SDD
root (hd0,0)
kernel /vmlinuz-2.4.21-32.0.1.ELsmp ro root=/dev/vpatha3 ramdisk_size=34000
initrd /initrd.vp
```

6. Change directory to `/boot` and un-archive the `initrd` image to `/boot/mnt`.
Mount the `initrd` file system.

```
mount -o loop -t ext2 initrd.vp /boot/mnt
```

7. Make additional directories in `/boot/mnt`.

```
cd /boot/mnt
mkdir mnt
mkdir lib/tls
mkdir -p opt/IBMsdd/bin
chmod -R 640 opt/IBMsdd
```

8. Copy the following `/etc` files to `/boot/mnt/etc`.

```
cp /etc/fstab /boot/mnt/etc/
cp /etc/vpath.conf /boot/mnt/etc/
cp /etc/group /boot/mnt/etc/
cp /etc/passwd /boot/mnt/etc/
cp /etc/nsswitch.conf /boot/mnt/etc/
```

9. Modify the `/boot/mnt/etc/nsswitch.conf` file if it is not as stated below.

- a. Change:

```
passwd: compat
```

To:

```
passwd: files
```

- b. Change:

```
group: compat
```

To:

```
group: files
```

10. Copy required library files for **cfgvpath**. Use the **ldd** command to determine the library files and locations.

Example:

```
ldd /opt/IBMsdd/bin/cfgvpath | awk '{print $(NF-1)}' | grep lib
```

The **ldd** command returns something similar to the following:

```
/lib/tls/libc.so.6 XXXX
/lib/ld-linux.so.2 XXXX
```

These files must be copied to the `/boot/mnt/lib/tls/` and `/boot/mnt/lib/` directories respectively.

11. Copy the correct `sdd-mod` to the `initrd` file system.

Use the **`uname -r`** command to determine the correct `sdd-mod` and create a soft link.

Example:

The command will return something similar to `2.4.21-32.0.1.ELsmp`

```
cp /opt/IBMsdd/sdd-mod.o-`uname -r` /boot/mnt/lib/
cd lib
ln -s sdd-mod.o sdd-mod.o-`uname -r` sdd-mod.o
cd ../
```

12. Copy the following binaries and change permissions to 755:

```
cp /opt/IBMsdd/bin/cfgvpath /boot/mnt/opt/IBMsdd/bin/
cp /bin/awk /boot/mnt/bin/
cp /bin/cat /boot/mnt/bin/
cp /bin/tar /boot/mnt/bin/
cp /bin/grep /boot/mnt/bin/
cp /bin/chmod /boot/mnt/bin/
cp /bin/chown /boot/mnt/bin/
cp /bin/mknod /boot/mnt/bin/
cp /bin/mount /boot/mnt/bin/
cp /bin/ls /boot/mnt/bin/
cp /bin/umount /boot/mnt/bin/
cp /bin/cp /boot/mnt/bin/
cp /bin/ash /boot/mnt/bin/
cp /bin/rm /boot/mnt/bin/
cp /bin/sh /boot/mnt/bin/
cp /bin/ps /boot/mnt/bin/
cp /bin/sed /boot/mnt/bin/
cp /bin/date /boot/mnt/bin/
cp /usr/bin/cut /boot/mnt/bin/
```

13. Copy required library files for each binary in step 14. Use the **`ldd`** command to determine the library files and locations.

Note: Many binaries use the same libraries so there might be duplications of copying. Also, copy the following libraries:

```
cp /lib/libnss_files.so.2 /boot/mnt/lib
cp /lib/libproc.so.2.0.17 /boot/mnt/lib
```

14. Modify the `/boot/mnt/linuxrc` file. Append the following lines to then end of the `linuxrc` file.

For some storage systems with Linux 2.4 kernels and addition option must be appended to the line where the `scsi_mod` module is loaded.

Change:

```
insmod /lib/scsi_mod.o
```

To:

```
insmod scsi_mod.o max_scsi_luns=256
```

The following is the original linuxrc script in the initrd file system:

```
#!/bin/nash
echo "Loading scsi_mod.o module"
insmod /lib/scsi_mod.o
echo "Loading sd_mod.o module"
insmod /lib/sd_mod.o
echo "Loading qla2300.o module"
insmod /lib/qla2300.o
echo "Loading jbd.o module"
insmod /lib/jbd.o
echo "Loading ext3.o module"
insmod /lib/ext3.o
echo Mounting /proc filesystem
mount -t proc /proc /proc
echo Creating block devices
mkdevices /dev
echo Creating root device
mkrootdev /dev/root
echo 0x0100 > /proc/sys/kernel/real-root-dev
echo Mounting root filesystem
mount -o defaults --ro -t ext3 /dev/root /sysroot
pivot_root /sysroot /sysroot/initrd
umount /initrd/proc
```

The following is the modified linuxrc script in the initrd file system:

```
#!/bin/nash
echo "Loading scsi_mod.o module"
insmod /lib/scsi_mod.o max_scsi_luns=256
echo "Loading sd_mod.o module"
insmod /lib/sd_mod.o
echo "Loading qla2300.o module"
insmod /lib/qla2300.o
echo "Loading jbd.o module"
insmod /lib/jbd.o
echo "Loading ext3.o module"
insmod /lib/ext3.o
echo Mounting /proc filesystem
mount -t proc /proc /proc
echo Creating block devices
mkdevices /dev
echo Loading SDD module
insmod /lib/sdd-mod.o
echo Running cfgvpath
/opt/IBMsdd/bin/cfgvpath
echo Creating block devices
mkdevices /dev
echo Copying over device files
mount -o rw -t ext3 /dev/vpatha3 /sysroot
mkdevices /sysroot/dev
umount /sysroot
#echo Creating root device
#mkrootdev /dev/root
echo 0x0100 > /proc/sys/kernel/real-root-dev
echo Mounting root filesystem
mount -o defaults --ro -t ext3 /dev/vpatha3 /sysroot
pivot_root /sysroot /sysroot/initrd
umount /initrd/procAppend Delete Edit
```

15. Prepare the mounted initrd file system for rebooting:

```
cd /boot
umount /boot/mnt
gzip initrd.vp
mv initrd.vp.gz initrd.vp
cd /
shutdown -r now
```


16. Once booted, verify that vpath devices are being used. Add all other paths and reboot again. The following commands can be used to verify the use of vpath devices.

```
mount
swapon -s
lsvpcfg
datapath query device
```

SDD upgrade procedure

Use the following procedure to upgrade SDD:

1. Place the SDD rpm update package on the system
2. Restart the system in single-path mode (no SDD)
3. You might come to a **Repair filesystem** prompt. If so, then enter the root password. At the prompt, remount the file system as read/write.

```
mount -n -o remount,rw /
```

4. Remove the previous SDD driver.

```
rpm -e IBMsdd
```

The /etc/vpath.conf file will be saved to vpath.conf.rpmsave.

5. Install the new SDD driver.

```
rpm -ivh IBMsdd-x.x.x.x-y.i686.rhel3.rpm
cd /boot
mv initrd.vp initrd.vp.gz
gunzip initrd.vp.gz
mount -o loop -t ext2 initrd.vp mnt
cp /opt/IBMsdd/sdd-mod.ko-`uname -r` /boot/mnt/lib/
```

6. Verify that the soft link sdd-mod.ko in /boot/mnt/lib points to the current sdd module.
7. Copy the new **cfgvpath** command and use the **ldd** command to verify that the correct libraries are installed for /boot/mnt/opt/IBMsdd/bin/cfgvpath.

```
cp /opt/IBMsdd/bin/cfgvpath /boot/mnt/opt/IBMsdd/bin/
```

8. Prepare the initrd.vp for booting.

```
umount mnt
gzip initrd.vp
mv initrd.vp.gz initrd.vp
cd /
```

9. Reboot the system.

SAN Boot instructions for RHEL 3 with IBM SDD (ppc)

The following procedure is used to install RHEL 3 ppc onto a IBM System p JS20 LPAR with fibre-channel connected storage. It is assumed that no installation is present to work from and when completed, the boot and swap devices will be running on IBM SDD vpath devices.

Prerequisite steps

1. Ensure that the following conditions exist before continuing with this procedure:
 - Have a copy of RHEL 3 either network accessible or on CD-ROM.
 - Be familiar with the Red Hat installation. This includes understanding which packages will be installed and how to select required options through the installation.
 - Be familiar with how to connect to and operate IBM BladeCenter[®] control or IBM System p LPAR.
 - Be familiar with how to setup an LPAR and select the required resources to create a configured LPAR with processors, memory, and SAN HBAs. For network installs, a network port is required, and for CD-ROM installs a CD-ROM is required.
 - Be familiar with how to setup a SAN network or direct-attached SAN storage devices so that the configured LPAR can access LUNs from the storage unit.
 - Be familiar with creating LUNs on the storage unit so that the LPAR can access the storage devices. Although SDD functions correctly in single-path environments, there should be redundant physical paths to the devices from the host (after installation).
 - Optionally, have an understanding of how the Linux kernel boot process functions and what processes and procedures that are used to boot a Linux distribution for a local storage device.
2. Configure Fibre Channel Adapters
 - Verify that the SAN HBA devices that are configured for the system have been setup to have their BOOT BIOS enabled. This permits discovery and use of SAN disk devices during this procedure.
3. Configure root/boot/swap devices
 - The physical boot device that will be used for installation and booting should be at least 4 GB in size. This is the minimum size for installing all packages from the installation media to the boot devices. It is also recommended that the swap device be at least the size of physical memory that is configured in the LPAR. For simplicity these instructions assume that the root/boot/swap devices are all located on the same device; however this is not a requirement for the installation. Also, It is not required that a /boot mount exists. In some cases there will not be a /boot mount but rather the boot files will reside in the directory /boot on the root "/" mount.
4. Installation Media
 - The installation media, or source for installation, can be CD-ROM, NFS, HTTP, FTP, or so on. For this installation, an NFS-exported set of CD-ROMs was used. Any of the installation sources listed can be used.
5. Upgrading the SDD driver and/or OS
 - At the end of this document are instructions on how to upgrade the SDD driver.
 - Each time the OS is updated or a new initrd is created, these procedures must be performed for the new OS and initrd.

Use this procedure to install RHEL 3:

1. From SMS, select the installation source and boot from the media.
2. Verify that the Fibre HBA module is loaded and that the SAN devices that will be used for installation have been detected successfully.

Note: Because of the way Linux discovers SAN devices, and if SAN devices have already been configured for multiple path access, Linux will discover the same physical device multiple times, once for each logical path to the device. Take note which device will be used for the installation before proceeding, that is, `/dev/sdb`. Also note which of the fibre HBA devices is used to discover this device as it will be needed in a later step.

3. Select the desired options until arriving at the Installation Settings step of the `yast` install.

Here, modification of the partitioning settings is required for this installation. This is to make sure that the device noted in the previous step will be used for the root/boot installation target.

- a. Select partitioning, and go to the custom partition setup.
- b. Select the device and Custom partitioning for experts.
- c. Make sure that there is a PReP boot partition on the root/boot device and that it is the first partition.
- d. Continue to partition devices as required to complete this configuration.

The details of installation and partitioning are not written up here. Please refer to installation procedures to determine which packages are needed for the type of system being installed.

4. Finish the installation. If an error occurs while attempting to create the `yaboot` boot loader stating that the device type of `fcv` is unknown. Select **OK** and select **No** when asked to retry.
5. Reboot SMS menu.
This time the boot device which has been setup over the previous steps is now ready to be booted.
6. Select to boot from a Hard Drive/SAN and select the Fibre HBA device adapter associated with the SAN disk device which the installation was completed.
7. The installation boot device should now be listed in the bootable devices discovered in the SAN on the selected Fibre HBA.
8. Select the appropriate device and boot.

SAN boot configuration

The system should now be booted in single-path mode from the SAN. Verify this by looking at the mounted devices and where the root is mounted, using the `df` command. Also verify that the swap, using `swapon -s` and other configured partitions are correctly mounted. This completes the single-path boot from SAN. To modify the boot/root and other devices for booting using the SDD driver continue with the following steps.

Note: The following instructions are examples and the values used herein might be different on your systems. In some cases, there will not be a `/boot` mount but rather the boot files will reside in the directory `/boot` on the root `/` mounted file system. It is recommended but not required that `vpatha` be used as the `vpath` boot device.

1. Install the IBM SDD driver
Download and install the IBM SDD driver for the kernel version being used. SDD is packaged in an RPM format and can be installed using the `rpm` command. See “Installing SDD” on page 175 for more information.
2. Gather SDD Data in preparation for configuring `/etc/vpath.conf`, `/etc/fstab`, `etc/yaboot.conf` and `/boot/initrd`.

```
sdd start
```

The `/etc/vpath.conf` file has now been created. Ensure that `vpatha` is the root device. We must get the root's physical device's LUN ID using the **cfgvpath query** command (in this procedure `sda` is the root device).

The **cfgvpath query** command will produce output similar to the following: Note that some data from the following output has been modified for ease of reading.

```
cfgvpath query
/dev/sda ( 8,  0) host=0 ch=0 id=0 lun=0 vid=IBM pid=2105800
serial=13320870 lun_id=13320870 ctlr_flag=0 ctlr_nbr=0 df_ctlr=0
/dev/sdb not configured: Either in /etc/fstab, or mounted or is a raw device
/dev/sdb ( 8, 16) host=0 ch=0 id=0 lun=1 vid=IBM pid=2105800
serial=13E20870 lun_id=13E20870 ctlr_flag=0 ctlr_nbr=0 df_ctlr=0 X
/dev/sdc ( 8, 32) host=0 ch=0 id=0 lun=2 vid=IBM pid=2105800
serial=12E20870 lun_id=12E20870 ctlr_flag=0 ctlr_nbr=0 df_ctlr=0
/dev/sdd not configured: Either in /etc/fstab, or mounted or is a raw device
/dev/sdd ( 8, 48) host=0 ch=0 id=0 lun=3 vid=IBM pid=2105800
serial=13F20870 lun_id=13F20870 ctlr_flag=0 ctlr_nbr=0 df_ctlr=0 X
```

The `lun_id` for `/dev/sdb` is `13E2087`. Edit the `/etc/vpath.conf` file using the `lun_id` for `vpatha` (`vpatha 13E2087`). Remove all other entries from this file (they will be automatically added later by SDD) .

Contents of `/etc/vpath.conf` :

```
vpatha 13E280
```

3. Extracting and mounting the `initrd`

The following unzips and extracts the `initrd` image so that it can be modified to include the required elements to enable a `vpath` boot image.

```
cd /boot
```

Locate the `initrd` image used for booting. This will be the image that `/etc/yaboot.conf` is pointing to. Note that the file pointed to might be symbolic link to another file. Copy the file to a temporary filename with a `.gz` extension. For example, if the file name is `initrd-2.4.21-32.0.1.EL.img`, then the correct [initrd file] can be determined by the following method:

```
cd /boot
ls -lA /boot | grep initrd | grep $(uname -r)
cp [initrd file] to initrd.vp.gz
gunzip initrd.vp.gz
mkdir /boot/mnt
```

Create a temporary directory where the image will be manipulated, for example, `/boot/mnt`, This is referred to as the *image temporary directory* throughout the rest of this documentation.

```
mkdir /boot/mnt
```

For `ext2` file system `initrd`'s, you might be required to resize the `initrd` file system (recommended).

```
dd if=/dev/zero of=initrd.vp seek=33554432 count=1 bs=1
e2fsck -f /boot/initrd.vp
```

Output similar to the following will be displayed. Answer **y** when prompted:

```
e2fsck 1.32 (09-Nov-2002)
Pass 1: Checking inodes, blocks, and sizes
Pass 2: Checking directory structure
Pass 3: Checking directory connectivity
/lost+found not found. Create <y>? y

Pass 4: Checking reference counts
Pass 5: Checking group summary information

initrd.vp: ***** FILE SYSTEM WAS MODIFIED *****
initrd.vp: 36/2000 files (0.0% non-contiguous), 2863/8000 blocks
[root@elm17a212 boot]#

resize2fs -f /boot/initrd.vp
```

Note: Adding the `ramdisk_size=` option to the kernel entry in the boot loader file might be required after increasing the size of the `initrd` file. For resizing the `initrd` to 33554432 add the following to the `/boot/grub/menu.lst` file in the “append section”, `ramdisk_size=34000`. An example of this entry is provided later in this topic.

Mount the `initrd` file system.

```
mount -o loop -t ext2 initrd.vp /boot/mnt
```

4. Modifying the `/boot/initrd`

Create the following directories in the image temporary directory.

```
cd /boot/mnt
mkdir mnt
mkdir -p lib/tls
mkdir -p lib64/tls
mkdir -p opt/IBMsdd/bin
chmod -R 640 opt/IBMsdd
```

Copy the following files to the following directories relative to the image temporary directory.

```
cp /opt/IBMsdd/sdd-mod.o-`uname -r` /boot/mnt/lib/
cp /opt/IBMsdd/bin/cfgvpath /boot/mnt/opt/IBMsdd/bin/
cp /bin/awk /boot/mnt/bin/
cp /bin/cat /boot/mnt/bin/
cp /bin/tar /boot/mnt/bin/
cp /bin/grep /boot/mnt/bin/
cp /bin/chmod /boot/mnt/bin/
cp /bin/chown /boot/mnt/bin/
cp /bin/mknod /boot/mnt/bin/
cp /bin/mount /boot/mnt/bin/
cp /bin/ls /boot/mnt/bin/
cp /bin/umount /boot/mnt/bin/
cp /bin/cp /boot/mnt/bin/
cp /bin/ash /boot/mnt/bin
cp /bin/rm /boot/mnt/bin
cp /bin/sh /boot/mnt/bin
cp /bin/ps /boot/mnt/bin
cp /bin/sed /boot/mnt/bin
cp /bin/date /boot/mnt/bin
cp /usr/bin/cut /boot/mnt/bin
```

Execute the following command from the lib directory. The linked module is the name of the module that was copied into the /boot/mnt/lib directory above.

```
cd /boot/mnt/lib
ln -s sdd-mod.o-2.4.21-32.0.1.EL sdd-mod.o
```

For each of the above binary files (except sdd-mod.o), run the **ldd** command and verify that the listed library files exist in the image temporary directory. If they do not, then copy the listed library files that do not exist to the corresponding lib and lib64 directories in the image temporary directory.

5. Copy required library files for 'cfgvpath'. Use the 'ldd' command to determine the library files and locations.

Example:

```
ldd /opt/IBMsdd/bin/cfgvpath | awk '{print $(NF-1)}' | grep lib
```

The **ldd** command might return something similar to the following:

```
/lib64/tls/libc.so.6 XXXX
/lib64/ld-linux.so.2 XXXX
```

These file must be copied to the /boot/mnt/lib64/tls/ and /boot/mnt/lib64/ directories respectively.

Copy this additional library file:

```
cp /lib/libnss_files.so.2 /boot/mnt/lib
```

6. Copy /etc files to the image temporary directory /boot/mnt/etc.

```
cp /etc/vpath.conf /boot/mnt/etc
cp /etc/passwd /boot/mnt/etc
cp /etc/group /boot/mnt/etc
cp /etc/nsswitch.conf /boot/mnt/etc
```

7. Modify the /etc/fstab to use vpath devices for /root and swap.

Other devices using vpaths will also need to be changed. For the initial install it is recommended to only work with the root/boot/swap devices and comment out other sd and hd devices until completed.

Original:

```
LABEL=/1      /          ext3  defaults    1 1
none         /dev/pts  devpts gid=5,mode=620 0 0
none         /proc     proc  defaults    0 0
none         /dev/shm  tmpfs  defaults    0 0
/dev/sdd3    swap      swap  defaults    0 0
/dev/sdb3    swap      swap  defaults    0 0
```

Modified:

```
/dev/vpatha2 /          ext3  defaults    1 1
none         /dev/pts  devpts gid=5,mode=620 0 0
none         /proc     proc  defaults    0 0
none         /dev/shm  tmpfs  defaults    0 0
#/dev/sdd3   swap      swap  defaults    0 0
/dev/vpatha3 swap      swap  defaults    0 0
```

```
cp /etc/fstab /boot/mnt/etc
```

8. Edit the /boot/mnt/linuxrc file.

For some storage systems with Linux 2.4 kernels and addition option must be appended to the line where the scsi_mod module is loaded.

Change:

```
insmod /lib/scsi_mod.o
```

To:

```
insmod scsi_mod.o max_scsi_luns=256
```

Original linuxrc script in the initrd file system

```
#!/bin/nash
echo "Loading scsi_mod.o module"
insmod /lib/scsi_mod.o
echo "Loading sd_mod.o module"
insmod /lib/sd_mod.o
echo "Loading qla2300.o module"
insmod /lib/qla2300.o
echo "Loading jbd.o module"
insmod /lib/jbd.o
echo "Loading ext3.o module"
insmod /lib/ext3.o
echo Mounting /proc filesystem
mount -t proc /proc /proc
echo Creating block devices
mkdevices /dev
echo Creating root device
mkrootdev /dev/root
echo 0x0100 > /proc/sys/kernel/real-root-dev
echo Mounting root filesystem
mount -o defaults --ro -t ext3 /dev/root /sysroot
pivot_root /sysroot /sysroot/initrd
umount /initrd/proc
```

Modified linuxrc script in the initrd file system

```
#!/bin/nash
echo "Loading scsi_mod.o module"
insmod /lib/scsi_mod.o max_scsi_luns=256
echo "Loading sd_mod.o module"
insmod /lib/sd_mod.o
echo "Loading qla2300.o module"
insmod /lib/qla2300.o
echo "Loading jbd.o module"
insmod /lib/jbd.o
echo "Loading ext3.o module"
insmod /lib/ext3.o
echo Mounting /proc filesystem
mount -t proc /proc /proc
echo Creating block devices
mkdevices /dev
echo "Loading SDD module"
insmod /lib/sdd-mod.o
echo "Configuring vpath devices"
/opt/IBMsdd/bin/cfgvpath
echo Copying over device files
mount -o rw -t ext3 /dev/vpatha3 /sysroot
mkdevices /sysroot/dev
umount /sysroot
echo 0x0100 > /proc/sys/kernel/real-root-dev
echo Mounting root filesystem
mount -o defaults --ro -t ext3 /dev/vpatha3 /sysroot
pivot_root /sysroot /sysroot/initrd
umount /initrd/proc
```

9. Repackaging the initrd

To repackage all of the changes that have just been made to the initrd, execute the following commands:

```
cd /boot
umount /boot/mnt
gzip initrd.vp
mv initrd.vp.gz initrd.vp
```

The initrd-2.4.21-32.0.1.EL.img now has the repackaged initrd image with the SDD drive and modified files required to boot from a vpath.

10. Modifying root device files and updating the boot partition.

Modify `/etc/yaboot.conf`. Add a new entry in the file and modify the entry to point at the new initrd image created in the above step. Also modify the root device in the new entry to point to the vpath chosen from the previous steps. Remember to include the partition if required. Also make sure to modify the entry name.

Original `/etc/yaboot.conf`:

```
image=/boot/vmlinuz-2.4.21-32.0.1.EL
label=2.4.21-32.0.1.E
read-only
initrd=/boot/initrd-2.4.21-32.0.1.EL.img
append="console=hvc0 root=/LABEL="/
```

Modified `/etc/yaboot.conf`:

```
image=/boot/vmlinuz-2.4.21-32.0.1.EL
label=2.4.21-32.0.1.E
read-only
initrd=/boot/initrd-2.4.21-32.0.1.EL.img
append="console=hvc0 root=/LABEL="/
image=/boot/vmlinuz-2.4.21-32.0.1.EL
label=2.4.21-32.0.1.E_SDD
read-only
initrd=/boot/initrd.vp
append="console=hvc0 root=/dev/vpatha3 ramdisk_size=34000"
```

Write the yaboot configuration to the boot partition:

```
ybin -b /dev/sdb1
```

11. Reboot

- a. Reboot the system.
- b. Enter SMS.
- c. Select the boot devices as before, if the boot device is not already set up as the first boot device.
- d. When the yaboot prompt is shown during boot, type in the given name for the new boot image.
- e. During the OS load it should now be seen that the IBMsdd module is loaded after the SAN disk devices are discovered.
- f. Ensure that there were no errors printed to the console during boot.
- g. If there were errors, reboot the system and at the yaboot prompt, select the old image to boot from. When the system boots, review the above steps and make any corrections to errors, then repeat these steps, starting with step 9 (repackaging the initrd).

12. Verify System has reboot and SDD is configured correctly

Once booted, verify that vpath devices are being used. Add all other paths and reboot again. The following commands can be used to verify the use of vpath devices:

- **mount**
- **swapon -s**
- **lsvpcfg**
- **datapath query device**

At this point, the installed boot device can be set as the default boot device for the system via the SMS menu. This step is not required, but is suggested because it enables unattended reboots after this procedure is complete.

SDD upgrade procedure

Use the following procedure to upgrade SDD:

1. Place the SDD rpm update package on the system
2. Restart the system in single-path mode (no SDD)
3. You might come to a **Repair filesystem** prompt. If so, then enter the root password. At the prompt, remount the file system as read/write.

```
mount -n -o remount,rw /
```

For systems that have /boot on a separate mount point, mount /boot partition using /dev/sd device.

4. Remove the previous SDD driver.

```
rpm -e IBMsdd
```

The /etc/vpath.conf file will be saved to vpath.conf.rpmsave.

5. Install the new SDD driver.

```
rpm -ivh IBMsdd-x.x.x.x-y.ppc64.rhe13.rpm
cd /boot
mv initrd.vp initrd.vp.gz
gunzip initrd.vp.gz
mount -o loop -t ext2 initrd.vp mnt
cp /opt/IBMsdd/sdd-mod.ko-`uname -r` /boot/mnt/lib/
```

6. Verify that the soft link sdd-mod.ko in /boot/mnt/lib points to the current sdd module.
7. Copy the new **cfgvpath** command and use the **ldd** command to verify that the correct libraries are installed for /boot/mnt/opt/IBMsdd/bin/cfgvpath.

```
cp /opt/IBMsdd/bin/cfgvpath /boot/mnt/opt/IBMsdd/bin/
```

8. Prepare the initrd.vp for booting.

```
umount mnt
gzip initrd.vp
mv initrd.vp.gz initrd.vp
cd /
```

9. Reboot the system.

SAN Boot Instructions for SLES 8 with IBM SDD (x86)

The following procedure is used to install SLES 8 SP4 i386 on an xSeries host with fibre-channel connect storage. This procedure assumes that no installation is present to work from and when completed, the boot and swap devices will be running on IBM SDD vpath devices. This procedure is intended to be used with the following revisions of software, firmware, and hardware. Variations from the documents have not been specifically tested.

Prerequisite steps

1. Ensure that the following conditions exist before continuing with this procedure:
 - a. The installation target **MUST** be single-pathed before installing SLES 8.
 - b. Have a copy of SLES 8 SP4 i386 either network-accessible or on CD-ROM.
 - c. Be familiar with the SLES 8 installation. This includes understanding which packages will be installed.
 - d. Be familiar with how to set up a SAN network or direct-attached SAN storage devices so that the host system can access LUNs from those storage systems. (This procedure was performed on an ESS Model 800).
 - e. Be familiar with creating LUNs on the ESS Model 800 so that the host can access the ESS Model 800 devices.
 - f. Although SDD functions correctly in single-path environments, it is recommended that there be redundant physical paths to the devices from the host after installation of SLES 8.
 - g. Optionally, have an understanding of how the Linux kernel boot process functions and what processes and procedures that are used to boot a Linux distribution for a local storage device.
 - h. Ensure that there will be network access to the system.
2. Configure QLogic Devices
 - For ease of installation and to avoid issues with internal SCSI or IDE controllers, it is recommended that all internal disk drive controllers be disabled. This procedure assumes that this has been done.
 - Verify that the QLogic SAN HBA devices that are configured for the host have been setup to have their BOOT BIOS enabled. This permits discovery and use of SAN disk devices during this procedure. While in the QLogic Utility, configure the ESS Model 800 device from which the system will boot. If the utility cannot see the correct device, check the SAN and ESS Model 800 configurations before continuing.
3. Configure Boot/Root/SWAP devices

The boot device that will be used for installation and booting should be at least 4 GB in size. This is the minimum size for installing a base package set from the installation media to the boot devices.

The swap device be at least the size of physical memory that is configured in the host. For simplicity, these instructions assume that the boot, root, and swap devices are all located on the same device; however, this is not a requirement for the installation.
4. Installation Media

The installation media, or source for installation, can be CD-ROM, NFS, HTTP, FTP, and so on. For this installation we use an NFS-exported set of CD-ROMs. Any of the installation sources listed can be used.
5. Install

- From the BIOS Menus select the installation source to boot from. Verify that the QLogic XXXXXXXX SAN HBA module is loaded and that the SAN devices that will be used for installation have been detected successfully.
 - Because of the way Linux discovers SAN devices, and if SAN devices have already been configured for multiple path access, Linux will discover the same physical device multiple times, once for each logical path to the device. Note which device will be used for the installation before proceeding, for example, /dev/sda.
 - Select the desired options until arriving at the Installation Settings. Here, modifications of the partitioning settings are required for this installation. This is to make sure that the device noted in the previous step will be used for the root/boot installation target.
 - The details of installation and partitioning are not included here. Please refer to installation procedures to determine which packages are needed for the type of system being installed.
6. Rebooting
 - a. On reboot, modify the BIOS to boot from hard disk. The system should now boot to the newly installed OS.
 - b. Verify that the system is booted from the correct disk and vpaths.
 - c. At this point the installed boot device can be set as the default boot device for the system. This step is not required, but is suggested because it enables unattended reboots after this procedure is complete.
 7. Upgrading the SDD driver

At the end of this document are instructions on how to upgrade the SDD driver.

SAN boot configuration

The system should be booted in single-path mode from the SAN. Verify this by looking at the mounted devices and where the root is mounted, using the **df** command. Also verify that the swap, using **swapon -s** and other configured partitions are correctly mounted. This completes the single-path boot from SAN. To modify the boot/root and other devices for booting using the SDD driver continue with the following steps.

Note: The following instructions are examples and the values used herein might be different on your systems. Also, any time a kernel is upgraded a new initrd for that kernel must be built following the instructions in the procedure.

1. Install the IBM SDD driver

Download and install the IBM SDD driver for the kernel version being used. SDD is packaged in an RPM format and can be installed using the **rpm** command. See “Installing SDD” on page 175 for more information.
2. Gather SDD data in preparation for configuring /etc/fstab, menu.lst and /boot/initrd.

```
sdd start
```

The /etc/vpath.conf file has now been created. You should ensure that vpatha is the root device. We must get the root’s physical device’s LUN ID using the **cfgvpath query** command (in this procedure sda is the root device).

The **cfgvpath query** command will produce output similar to the following: Note that some data from the following output has been modified for ease of reading.

```

cfgvpath query

/dev/sda (8, 0) host=0 ch=0 id=0 lun=0 vid=IBM pid=2105800 serial=12020870
lun_id=12020870
/dev/sdb (8, 16) host=0 ch=0 id=0 lun=1 vid=IBM pid=2105800 serial=12120870
lun_id=12120870
/dev/sdc (8, 32) host=0 ch=0 id=0 lun=2 vid=IBM pid=2105800 serial=12220870
lun_id=12220870
/dev/sdd (8, 48) host=0 ch=0 id=0 lun=3 vid=IBM pid=2105800 serial=12320870
lun_id=12320870

```

The lun_id for /dev/sda is 12020870. Edit the /etc/vpath.conf file using the lun_id for vpatha. Remove all other entries from this file (they will be automatically added later by SDD) .

3. Modify the /etc/fstab and the /boot/grub/menu.lst

There is a one-to-one correlation between sd and vpath minor devices, for example, sda1 and vpatha1.

Major devices, however, might not necessarily correlate, for example, sdb1 could be vpathd1.

Note that because /boot was installed on /dev/sda1 and we have made vpatha correspond to sda in the/etc/vpath.conf file then /dev/vpatha1 will be the mount device for /boot.

Example:

Change from:

```

/dev/sda3      /          ext3  defaults  1 1
/dev/sda1     /boot     ext3  defaults  1 2
none         /dev/pts  devpts gid=5,mode=620 0 0
none         /proc     proc  defaults  0 0
none         /dev/shm  tmpfs  defaults  0 0
/dev/sda2     swap      swap  defaults  0 0

```

To:

```

/dev/vpatha3  /          ext3  defaults  1 1
/dev/vpatha1  /boot     ext3  defaults  1 2
none         /dev/pts  devpts gid=5,mode=620 0 0
none         /proc     proc  defaults  0 0
none         /dev/shm  tmpfs  defaults  0 0
/dev/vpatha2  swap      swap  defaults  0 0

```

Modify the /boot/grub/menu.lst file. Add an entry for the SDD boot using initrd.vp

```

title linux-smp
kernel (hd0,0)/vmlinuz-2.4.21-295-smp root=/dev/sda3
initrd (hd0,0)/initrd-2.4.21-295-smp
title linux-smp-SDD
kernel (hd0,0)/vmlinuz-2.4.21-295-smp root=/dev/vpatha3 ramdisk_size=34000
initrd (hd0,0)/initrd.vp

```

4. Prepare the initrd file.

The [initrd file] refers to the current initrd in /boot. The correct initrd can be determined by the following method:

```
ls -lA /boot | grep initrd | grep $(uname -r)
cd /boot
cp [initrd file] to initrd.vp.gz
gunzip initrd.vp.gz
mkdir /boot/mnt
```

5. For ext2 file system initrds, you might need to resize the initrd file system. For Sles8u5, this step might not be required.

```
dd if=/dev/zero of=initrd.vp seek=33554432 count=1 bs=1
losetup /dev/loop0 initrd.vp
e2fsck -f /dev/loop0
resize2fs -f /dev/loop0
losetup -d /dev/loop0
```

Note: Adding the `ramdisk_size=` option to the kernel entry in the boot loader file might be required after increasing the size of the initrd file. For resizing the initrd to 33554432 add the following to the `/boot/grub/menu.lst` file, `ramdisk_size=34000` (see the previous step for modifying the `/boot/grub/menu.lst`).

6. Change directory to `/boot` and un-archive the initrd image to `/boot/mnt`.
Mount the initrd file system.

```
mount -o loop -t ext2 initrd.vp /boot/mnt
```

7. Make additional directories in `/boot/mnt` if they do not exist.

```
cd /boot/mnt
mkdir mnt
mkdir -p opt/IBMsdd/bin
chmod -R 640 opt/IBMsdd
mkdir -p lib/tls (For some Sles8 version create lib/i686)
mkdir sysroot
mkdir proc
```

8. Copy the following `/etc` files to `/boot/mnt/etc`.

```
cp /etc/fstab /boot/mnt/etc/
cp /etc/vpath.conf /boot/mnt/etc/
cp /etc/group /boot/mnt/etc/
cp /etc/passwd /boot/mnt/etc/
cp /etc/nsswitch.conf /boot/mnt/etc/
```

9. Modify the `/boot/mnt/etc/nsswitch.conf` file.

- a. Change:

```
passwd: compat
```

To:

```
passwd: files
```

- b. Change:

```
group: compat
```

To:

```
group: files
```

10. Copy `cfgvpath` to the `initrd` image.

Copy `/opt/IBMsdd/bin/cfgvpath` to `/boot/mnt/opt/IBMsdd/bin/` and change permissions of `cfgvpath` to 755.

```
cp /opt/IBMsdd/bin/cfgvpath /boot/mnt/opt/IBMsdd/bin/
```

11. Copy required library files for `cfgvpath`.

Use the `ldd` command to determine the library files and locations.

Example:

```
ldd /opt/IBMsdd/bin/cfgvpath | awk {print $(NF-1)} | grep lib
```

The output of the `ldd` command might be similar to the following:

```
/lib/i686/libc.so.6 XXXX  
/lib/ld-linux.so.2 XXXX
```

These file must be copied to the `/boot/mnt/lib/i686/` and `/boot/mnt/lib/` directories respectively.

12. Copy the correct `sdd-mod.o` file to the `initrd` file system. Use the `uname -r` command to determine the correct `sdd-mod.o` file and create a soft link.

Example:

The `uname -r` command will return something similar to `2.6.5-7.191-smp`.

```
cp /opt/IBMsdd/sdd-mod.o-`uname -r` /boot/mnt/lib/  
cd lib  
ln -s sdd-mod.o sdd-mod.o-`uname -r` sdd-mod.o  
cd ../
```

13. Copy the following binaries to the `initrd` bin directory.

```
cp /bin/awk /boot/mnt/bin/  
cp /bin/chmod /boot/mnt/bin/  
cp /bin/chown /boot/mnt/bin/  
cp /bin/cp /boot/mnt/bin/  
cp /bin/date /boot/mnt/bin/  
cp /bin/grep /boot/mnt/bin/  
cp /bin/ls /boot/mnt/bin/  
cp /bin/mknod /boot/mnt/bin/  
cp /bin/mount /boot/mnt/bin/  
cp /bin/ps /boot/mnt/bin/  
cp /bin/rm /boot/mnt/bin/  
cp /bin/sed /boot/mnt/bin/  
cp /bin/sh /boot/mnt/bin/  
cp /bin/tar /boot/mnt/bin/  
cp /bin/umount /boot/mnt/bin/  
cp /bin/cat /boot/mnt/bin/  
  
cp /usr/bin/cut /boot/mnt/bin/  
cp /usr/bin/expr /boot/mnt/bin/
```

14. Copy the required library files for each binary in the previous step.

Use the `ldd` command to determine the library files and locations.

Note: Many binaries use the same libraries so there might be duplications of copying.

Also, copy the following library.

```
cp /lib/libnss_files.so.2 /boot/mnt/lib
```

15. Copy /dev/sd devices to the initrd /dev directory using the **tar** command.

```
cd /boot/mnt
tar cps /dev/sd[a-z] /dev/sd[a-z][a-z] | tar xps
```

16. Modify the /boot/mnt/linuxrc file.

Add the following lines just after the last kernel module is loaded.

For 2.4 kernels an addition option must be appended to the line where the scsi_mod module is loaded for storage systems such as the DS6000 and the DS8000.

Change:

```
insmod /lib/scsi_mod.o
```

To:

```
insmod scsi_mod.o max_scsi_luns=256
```

Add the following lines to the linuxrc file after the last driver has been loaded.

```
echo "Mounting proc"
mount -n -tproc none /proc

echo "Loading SDD module"
insmod /lib/sdd-mod.o

echo "Running SDD configuration"
/opt/IBMsdd/bin/cfgvpath
```

Ensure an updated copy of vpath.conf and the vpath device files are copied to the root file system during boot by using the following syntax to mount the root file system.

```
mount -o rw -t [fstype] [device] /mnt
```

Add the following lines just after the modules load entries. The values used for the [fstype] and [device] here are only examples. Use the correct values for the system that is being configured.

```
echo "Copying over device files"
mount -o rw -t ext3 /dev/vpatha3 /sysroot
(tar cps /dev/IBMsdd /dev/vpath*) | (cd /sysroot && tar xps)
cp /etc/vpath.conf /sysroot/etc/
umount /sysroot
```

We must now ensure that the correct major and minor number of the /root vpath device is written to /proc/sys/kernel/real-root-dev. Add the following line to the linuxrc file.

```

echo "Setting correct root device"
for name in `cat /proc/cmdline`; do
#Look for "root="
echo $name | grep -q ^root
if [ $? -eq 0 ]; then
# chop off the "root="
dev_name=`expr "$name" : .*=(.*) `
echo "Found root = $dev_name"
#chop off the "dev"
dev_name=`expr "$dev_name" : /dev/\(.*\) `
#find the major/minor in /proc/partitions
parts=`grep $dev_name /proc/partitions`
dev_major=`echo $parts | cut -d -f1`
dev_minor=`echo $parts | cut -d -f2`
dev_num=`expr $dev_major \* 256 + $dev_minor`
echo $dev_num > /proc/sys/kernel/real-root-dev
continue
fi
done

```

Original linuxrc script in the initrd file system:


```

#!/bin/ash

export PATH=/sbin:/bin:/usr/bin

# check for SCSI parameters in /proc/cmdline
mount -n -tproc none /proc
for p in `cat /proc/cmdline` ; do
    case $p in
        scsi*|*_scsi_*|llun_b1k1st=|max_report_luns=*)
            extra_scsi_params="$extra_scsi_params $p"
            ;;
    esac
done
umount -n /proc

echo "Loading kernel/drivers/scsi/scsi_mod.o $extra_scsi_params"
insmod /lib/modules/2.4.21-295-smp/kernel/drivers/scsi/scsi_mod.o $extra_scsi_params

echo "Loading kernel/drivers/scsi/sd_mod.o"
insmod /lib/modules/2.4.21-295-smp/kernel/drivers/scsi/sd_mod.o

echo "Loading kernel/fs/jbd/jbd.o"
insmod /lib/modules/2.4.21-295-smp/kernel/fs/jbd/jbd.o

echo "Loading kernel/fs/ext3/ext3.o"
insmod /lib/modules/2.4.21-295-smp/kernel/fs/ext3/ext3.o

echo "Loading kernel/drivers/scsi/qla2300.o"
insmod /lib/modules/2.4.21-295-smp/kernel/drivers/scsi/qla2300.o

echo "Loading kernel/drivers/scsi/qla2300_conf.o"
insmod /lib/modules/2.4.21-295-smp/kernel/drivers/scsi/qla2300_conf.o

Modified linuxrc script in the initrd file system with modifications.

#!/bin/ash

export PATH=/sbin:/bin:/usr/bin

# check for SCSI parameters in /proc/cmdline
mount -n -tproc none /proc
for p in `cat /proc/cmdline` ; do
    case $p in
        scsi*|*_scsi_*|llun_b1k1st=|max_report_luns=*)
            extra_scsi_params="$extra_scsi_params $p"
            ;;
    esac
done
umount -n /proc

echo "Loading kernel/drivers/scsi/scsi_mod.o $extra_scsi_params max_scsi_luns=255"
insmod /lib/modules/2.4.21-295-smp/kernel/drivers/scsi/scsi_mod.o
(this line is part of the above line) $extra_scsi_params max_scsi_luns=255

echo "Loading kernel/drivers/scsi/sd_mod.o"
insmod /lib/modules/2.4.21-295-smp/kernel/drivers/scsi/sd_mod.o

echo "Loading kernel/fs/jbd/jbd.o"
insmod /lib/modules/2.4.21-295-smp/kernel/fs/jbd/jbd.o

echo "Loading kernel/fs/ext3/ext3.o"
insmod /lib/modules/2.4.21-295-smp/kernel/fs/ext3/ext3.o

echo "Loading kernel/drivers/scsi/qla2300.o"
insmod /lib/modules/2.4.21-295-smp/kernel/drivers/scsi/qla2300.o

echo "Loading kernel/drivers/scsi/qla2300_conf.o"
insmod /lib/modules/2.4.21-295-smp/kernel/drivers/scsi/qla2300_conf.o

```

```

echo "Mounting proc"
mount -n -tproc none /proc

echo "Loading SDD module"
insmod /lib/sdd-mod.o

echo "Running SDD configuration"
/opt/IBMsdd/bin/cfgvpath

echo "Copying over device files"
mount -o rw -t ext3 /dev/vpatha3 /sysroot
(tar cps /dev/IBMsdd /dev/vpath*) | (cd /sysroot && tar xps)
umount /sysroot

echo "Setting correct root device"
for name in `cat /proc/cmdline`; do
  #Look for "root="
  echo $name | grep -q ^root
  if [ $? -eq 0 ]; then
    # chop off the "root="
    dev_name=`expr "$name" : .*=(.*) `
    echo "Found root = $dev_name"
    #chop off the "dev"
    dev_name=`expr "$dev_name" : /dev/(.*) `
    #find the major/minor in /proc/partitions
    parts=`grep $dev_name /proc/partitions`
    dev_major=`echo $parts | cut -d -f1`
    dev_minor=`echo $parts | cut -d -f2`
    dev_num=`expr $dev_major \* 256 + $dev_minor`
    echo $dev_num > /proc/sys/kernel/real-root-dev
    continue
  fi
done

echo "Unmounting proc"
umount /proc

```

17. Prepare the mounted initrd file system for rebooting:

```

cd /boot
umount /boot/mnt
gzip initrd.vp
mv initrd.vp.gz initrd.vp
cd /
shutdown -r now

```

18. Once booted, verify that vpath devices are being used. Add all other paths and reboot again. The following commands can be used to verify the use of vpath devices.

```

mount
swapon -s
lsvpcfg
datapath query device

```

SDD upgrade procedure

Use the following procedure to upgrade SDD:

1. Place the SDD rpm update package on the system
2. Restart the system in single-path mode (no SDD)
3. You might come to a **Repair filesystem** prompt. If so, then enter the root password. At the prompt, remount the file system as read/write.

```
mount -n -o remount,rw /
```

4. For systems that have /boot on a separate mount point, mount /boot partition using /dev/sa device.

5. Remove the previous SDD driver.

```
rpm -e IBMsdd
```

The /etc/vpath.conf file will be saved to vpath.conf.rpmsave.

6. Install the new SDD driver.

```
rpm -ivh IBMsdd-x.x.x.x-y.i686.sles8.rpm
cd /boot
mv initrd.vp initrd.vp.gz
gunzip initrd.vp.gz
mount -o loop -t ext2 initrd.vp mnt
cp /opt/IBMsdd/sdd-mod.ko-`uname -r` /boot/mnt/lib/
```

7. Verify that the soft link sdd-mod.ko in /boot/mnt/lib points to the current SDD module.
8. Copy the new **cfgvpath** command and use the **ldd** command to verify that the correct libraries are installed for /boot/mnt/opt/IBMsdd/bin/cfgvpath.

```
cp /opt/IBMsdd/bin/cfgvpath /boot/mnt/opt/IBMsdd/bin/
```

9. Prepare the initrd.vp for booting.

```
umount mnt
gzip initrd.vp
mv initrd.vp.gz initrd.vp
cd /
```

10. Reboot the system.

SAN Boot Instructions for SLES 9 with IBM SDD (x86)

The following procedure is used to install SLES 9 x86 on an xSeries host with fibre-channel connect storage. This procedure assumes that no installation is present to work from and when completed, the boot and swap devices will be running on IBM SDD vpath devices.

Prerequisite steps

1. Ensure that the following conditions exist before continuing with this procedure:
 - a. The installation target MUST be single-pathed before installing SLES 9.
 - b. Have a copy of SLES 9 SP2 i386 either network-accessible or on CD-ROM.
 - c. Be familiar with the SLES 9 installation. This includes understanding which packages will be installed.
 - d. Be familiar with how to set up a SAN network or direct-attached SAN storage devices so that the host system can access LUNs from those storage systems. (This procedure was performed on an ESS Model 800).
 - e. Be familiar with creating LUNs on the ESS Model 800 so that the host can access the ESS Model 800 devices.
 - f. Although SDD functions correctly in single-path environments, it is recommended that there be redundant physical paths to the devices from the host after installation of SLES 9.
 - g. Optionally, have an understanding of how the Linux kernel boot process functions and what processes and procedures that are used to boot a Linux distribution for a local storage device.
 - h. Ensure that there will be network access to the system.
2. Configure QLogic Devices

- For ease of installation and to avoid issues with internal SCSI or IDE controllers, it is recommended that all internal disk drive controllers be disabled. This procedure assumes that this has been done.
- Verify that the QLogic SAN HBA devices that are configured for the host have been setup to have their BOOT BIOS enabled. This permits discovery and use of SAN disk devices during this procedure. While in the QLogic Utility, configure the ESS Model 800 device from which the system will boot. If the utility cannot see the correct device, check the SAN and ESS Model 800 configurations before continuing.

3. Configure Boot/Root/SWAP devices

The boot device that will be used for installation and booting should be at least 4 GB in size. This is the minimum size for installing a base package set from the installation media to the boot devices.

The swap device be at least the size of physical memory that is configured in the host. For simplicity, these instructions assume that the boot, root, and swap devices are all located on the same device; however, this is not a requirement for the installation.

4. Installation Media

The installation media, or source for installation, can be CD-ROM, NFS, HTTP, FTP, and so on. For this installation we use an NFS-exported set of CD-ROMs. Any of the installation sources listed can be used.

5. Install

- From the Qlogic BIOS Menus, select the installation source to boot from. Verify that the QLogic XXXXXXXX SAN HBA module is loaded and that the SAN devices that will be used for installation have been detected successfully.
- For Emulex fibre HBAs, use Emulex's utility software for the Emulex model to enable the Emulex HBA BIOS (to use this utility, the system must be booted to DOS). After the BIOS is enabled, go into the Emulex BIOS during POST boot and enable the boot BIOS for each adapter and select the boot LUN from the list.
- Because of the way Linux discovers SAN devices, and if SAN devices have already been configured for multiple path access, Linux will discover the same physical device multiple times, once for each logical path to the device. Note which device will be used for the installation before proceeding, for example, /dev/sda.
- Select the desired options until arriving at the Installation Settings. Here, modifications of the partitioning settings are required for this installation. This is to make sure that the device noted in the previous step will be used for the root/boot installation target.
- The details of installation and partitioning are not included here. Please refer to installation procedures to determine which packages are needed for the type of system being installed.

6. Rebooting

- a. On reboot, modify the BIOS to boot from hard disk, the system should now boot to the newly installed OS.
- b. Verify that the system is booted from the correct disk and vpaths.
- c. At this point the installed boot device can be set as the default boot device for the system. This step is not required, but is suggested because it enables unattended reboots after this procedure is complete.

7. Upgrading the SDD driver

At the end of this document are instructions on how to upgrade the SDD driver.

SAN boot configuration

The system should be booted in single-path mode from the SAN. Verify this by looking at the mounted devices and where the root is mounted, using the **df** command. Also verify that the swap, using **swapon -s** and other configured partitions are correctly mounted. This completes the single-path boot from SAN. To modify the boot/root and other devices for booting using the SDD driver continue with the following steps.

Note: The following instructions are examples and the values used herein might be different on your systems. Also, any time a kernel is upgraded a new initrd for that kernel must be built following the instructions in the procedure.

1. Install the IBM SDD driver

Download and install the IBM SDD driver for the kernel version being used. SDD is packaged in an RPM format and can be installed using the **rpm** command. See “Installing SDD” on page 175 for more information.

2. Gather SDD data in preparation for configuring `/etc/fstab`, `menu.lst` and `/boot/initrd`.

```
sdd start
```

The `/etc/vpath.conf` file has now been created. You should ensure that `vpatha` is the root device. We must get the root’s physical device’s LUN ID using the **cfgvpath query device** command (in this procedure `sda` is the root device).

The **cfgvpath query device** command will produce output similar to the following: Note that some data from the following output has been modified for ease of reading.

```
cfgvpath query

/dev/sda (8, 0) host=0 ch=0 id=0 lun=0 vid=IBM pid=2105800 serial=12020870
lun_id=12020870
/dev/sdb (8, 16) host=0 ch=0 id=0 lun=1 vid=IBM pid=2105800 serial=12120870
lun_id=12120870
/dev/sdc (8, 32) host=0 ch=0 id=0 lun=2 vid=IBM pid=2105800 serial=12220870
lun_id=12220870
/dev/sdd (8, 48) host=0 ch=0 id=0 lun=3 vid=IBM pid=2105800 serial=12320870
lun_id=12320870
```

The `lun_id` for `/dev/sda` is 12020870. Edit the `/etc/vpath.conf` file using the `lun_id` for `vpatha`. Remove all other entries from this file (they will be automatically added later by SDD).

3. Modify the `/etc/fstab`, ensuring that `root/boot/swap` is mounted on `vpath` devices.

There is a one-to-one correlation between `sd` and `vpath` minor devices, for example, `sda1` and `vpatha1`.

Major devices, however, might not necessarily correlate, for example, `sdb1` could be `vpathd1`.

Note that because `/boot` was installed on `/dev/sda1` and we have made `vpatha` correspond to `sda` in the `/etc/vpath.conf` file then `/dev/vpatha1` will be the mount device for `/boot`.

Example:

Change from:

```

/dev/sda3      /          ext3  defaults  1 1
/dev/sda1      /boot      ext3  defaults  1 2
/dev/sda2      swap       swap  defaults  0 0

```

To:

```

/dev/vpatha3   /          ext3  defaults  1 1
/dev/vpatha1   /boot      ext3  defaults  1 2
/dev/vpatha2   swap       swap  defaults  0 0

```

Modify the `/boot/grub/menu.lst` file. Add entries for the SDD boot using `initrd.vp`

```

title Linux-sdd
kernel (hd0,0)/vmlinuz root=/dev/vpatha3 selinux=0 splash=silent barrier=off
resume=/dev/sda2 elevator=cfq showopts ramdisk_size=34000
initrd (hd0,0)/initrd.vp

```

4. Prepare the `initrd` file.

The `[initrd file]` refers to the current `initrd` in `/boot`. The correct `initrd` can be determined by the following method:

```

ls -lA /boot | grep initrd | grep $(uname -r)
cd /boot
cp [initrd file] to initrd.vp.gz
gunzip initrd.vp.gz
mkdir /boot/mnt

```

For the `ext2` file system, the `initrd` might be required to resize the `initrd` file system.

```

dd if=/dev/zero of=initrd.vp seek=33554432 count=1 bs=1
losetup /dev/loop0 initrd.vp
e2fsck -f /dev/loop0
resize2fs -f /dev/loop0
losetup -d /dev/loop0

```

Adding the `ramdisk_size=` option to the kernel entry in the boot loader file might be required after increasing the size of the `initrd` file. For resizing the `initrd` to 33554432 add the following to the `/boot/grub/menu.lst` file, `ramdisk_size=34000` as mention previously.

5. Change directory to `/boot` and un-archive the `initrd` image to `/boot/mnt`.

Mount the `initrd` file system.

```

mount -o loop -t ext2 initrd.vp /boot/mnt

```

6. Make additional directories in `/boot/mnt` if they do not exist.

```

cd /boot/mnt
mkdir mnt
mkdir -p opt/IBMsdd/bin
chmod -R 640 opt/IBMsdd
mkdir -p lib/tls

```

7. Copy the following `/etc` files to `/boot/mnt/etc`.

```

cp /etc/vpath.conf /boot/mnt/etc/
cp /etc/group /boot/mnt/etc/
cp /etc/passwd /boot/mnt/etc/
cp /etc/nsswitch.conf /boot/mnt/etc/

```

8. Create an fstab file in the initrd etc directory with the following entry (this might already exist).

```
sysfs /sys sysfs defaults 0 0
```

9. Modify the /boot/mnt/etc/nsswitch.conf file.

- a. Change:

```
passwd: compat
```

To:

```
passwd: files
```

- b. Change:

```
group: compat
```

To:

```
group: files
```

10. Copy **cfgvpath** to the initrd image.

```
cp /opt/IBMsdd/bin/cfgvpath /boot/mnt/opt/IBMsdd/bin/
```

11. Copy required library files for **cfgvpath**.

Use the **ldd** command to determine the library files and locations.

Example:

```
ldd /opt/IBMsdd/bin/cfgvpath | awk {print $(NF-1)} | grep lib
```

The output of the **ldd** command might be similar to the following:

```
/lib/tls/libc.so.6  
/lib/ld-linux.so.2
```

These file must be copied to the /boot/mnt/lib/tls/ and /boot/mnt/lib/ directories respectively.

12. Copy the correct **sdd-mod.o** file to the initrd file system. Use the **uname -r** command to determine the correct **sdd-mod.o** file and create a soft link.

Example:

The **uname -r** command will return something similar to 2.6.5-7.201-smp.

```
cp /opt/IBMsdd/sdd-mod.ko-2.6.5-7.201-smp /boot/mnt/lib/  
cd lib  
ln -s sdd-mod.ko-2.6.5-7.201-smp sdd-mod.ko  
cd ../
```

13. Copy the following binaries to the initrd bin directory.

Note: **mount** and **umount** might already exist. If they do exist, then do not copy them to the initrd mount directory.

```
cp /bin/tar /boot/mnt/bin/  
cp /bin/chown /boot/mnt/bin/
```

- Copy the required library files for each binary.
Use the **ldd** command to determine the library files and locations.

Note: Many binaries use the same libraries, so there might be duplications of copying.

Example:

```
ldd /bin/mknod | awk '{print $(NF-1)}' | grep lib  
  
/lib/libselinux.so.1  
/lib/tls/libc.so.6  
/lib/ld-linux.so.2
```

The above files must be copied to the `/boot/mnt/lib/tls/` and `/boot/mnt/lib/` directories respectively.

Also, copy the following library file to `/boot/mnt/lib/`.

```
cp /lib/libnss_files.so.2 /boot/mnt/lib
```

- Modify the `/boot/mnt/linuxrc` file.

Add the following lines just after the last kernel module is loaded.

```
echo "Loading SDD module"  
insmod /lib/sdd-mod.ko  
echo "Creating vpath devices"  
/opt/IBMsdd/bin/cfgvpath makenodes
```

Ensure that an updated copy of `vpath.conf` is copied to the `/root` file system by using the following syntax to mount the root file system.

```
/bin/mount -o rw -t [fstype] [device] /mnt
```

Add the following lines just after the **cfgvpath** command. The values used for the `[fstype]` and `[device]` here are only examples. Use the correct values for the system that is being configured.

```
/bin/mount -o rw -t ext3 /dev/vpatha3 /mnt  
/bin/cp /etc/vpath.conf /mnt/etc/  
cd /mnt  
/bin/tar cps /dev/IBMsdd /dev/vpath* | /bin/tar xps  
cd /  
/bin/umount /mnt
```

- Prepare the mounted `initrd` file system for rebooting:

```
cd /boot  
umount /boot/mnt  
gzip initrd.vp  
mv initrd.vp.gz initrd.vp  
cd /  
shutdown -r now
```

- Once booted, verify that `vpath` devices are being used. Add all other paths and reboot again. The following commands can be used to verify the use of `vpath` devices.

```
mount  
swapon -s  
lsvpcfg  
datapath query device
```


SDD upgrade procedure

Use the following procedure to upgrade SDD:

1. Place the SDD rpm update package on the system
2. Restart the system in single-path mode (no SDD)
3. You might come to a **Repair filesystem** prompt. If so, then enter the root password. At the prompt, remount the file system as read/write.

```
mount -n -o remount,rw /
```

4. For systems that have /boot on a separate mount point, mount /boot partition using /dev/sd device.
5. Remove the previous SDD driver.

```
rpm -e IBMsdd
```

The /etc/vpath.conf file will be saved to vpath.conf.rpmsave.

6. Install the new SDD driver.

```
rpm -ivh IBMsdd-x.x.x.x-y.i686.sles9.rpm
cd /boot
mv initrd.vp initrd.vp.gz
gunzip initrd.vp.gz
mount -o loop -t ext2 initrd.vp mnt
cp /opt/IBMsdd/sdd-mod.ko`uname -r` /boot/mnt/lib/
```

7. Verify that the soft link sdd-mod.ko in /boot/mnt/lib points to the current SDD module.
8. Copy the new **cfgvpath** command and use the **ldd** command to verify that the correct libraries are installed for /boot/mnt/opt/IBMsdd/bin/cfgvpath.

```
cp /opt/IBMsdd/bin/cfgvpath /boot/mnt/opt/IBMsdd/bin/
```

9. Prepare the initrd.vp for booting.

```
umount mnt
gzip initrd.vp
mv initrd.vp.gz initrd.vp
cd /
```

10. Reboot the system.

SAN Boot instructions for SLES 9 with IBM SDD (ppc)

The following procedure is used to install SLES 9 ppc onto a IBM System p JS20 LPAR with fibre-channel connected storage. It is assumed that no installation is present to work from and when completed, the boot and swap devices will be running on IBM SDD vpath devices.

Prerequisite steps

1. Ensure that the following conditions exist before continuing with this procedure:
 - Have a copy of SLES 9 SP2 either network-accessible or on CD-ROM.
 - Be familiar with the SLES installation. This includes understanding which packages will be installed and how to select required options through the installation.
 - Be familiar with how to connect to and operate IBM BladeCenter JS20 or IBM System p LPAR.

- Be familiar with how to set up an LPAR with processors, memory, and SAN HBAs. For network installs a network port is required, and for CD-ROM installs, a CD-ROM is required.
 - Be familiar with how to set up a SAN network or direct-attached SAN storage devices so that the configured system can access LUNs from the storage unit.
 - Be familiar with creating LUNs on the storage unit so that the LPAR can access the storage devices. Although SDD functions correctly in single-path environments, there should be redundant physical paths to the devices from the host (after installation).
 - Optionally, have an understanding of how the Linux kernel boot process functions and what processes and procedures that are used to boot a Linux distribution for a local storage device.
2. Configure root/boot/swap devices
 - The physical boot device that will be used for installation and booting should be at least 4 GB in size. This is the minimum size for installing all packages from the installation media to the boot devices. It is also recommended that the swap device be at least the size of physical memory that is configured in the system. For simplicity, these instructions assume that the root/boot/swap devices are all located on the same device; however this is not a requirement for the installation. Also, it is not required that a /boot mount exists. In some cases, there will not be a /boot mount but rather the boot files will reside in the directory /boot on the root "/" mount.
 3. Installation Media
 - The installation media, or source for installation, can be CD-ROM, NFS, HTTP, FTP, or so on. For this installation, an NFS-exported set of CD-ROMs is used. Any of the installation sources listed can be used.
 4. Upgrading the SDD driver.

At the end of this document are instructions on how to upgrade the SDD driver.

Use this procedure to install SLES 9:

1. From SMS, select the installation source and boot from the media.
2. Verify that the Emulex lpfcd SAN HBA module is loaded and that the SAN devices that will be used for installation have been detected successfully.

Note: Because of the way Linux discovers SAN devices, and if SAN devices have already been configured for multiple path access, Linux will discover the same physical device multiple times, once for each logical path to the device. Take note which device will be used for the installation before proceeding, that is, /dev/sdh. Also note which of the Emulex devices is used to discover this device as it will be needed in a later step.

3. Select the desired options until arriving at the Installation Settings step of the yast install.

Here, modification of the partitioning settings is required for this installation. This is to make sure that the device noted in the previous step will be used for the root/boot installation target.

 - a. Select partitioning, and go to the custom partition setup.
 - b. Select the device and Custom partitioning for experts.
 - c. Make sure that there is a PReP boot partition on the root/boot device and that it is the first partition.
 - d. Continue to partition devices as required to complete this configuration.

The details of installation and partitioning are not written up here. Please refer to installation procedures to determine which packages are needed for the type of system being installed.

4. Finish the installation. An error occurs while attempting to create the yaboot boot loader stating that the device type of *fcv* is unknown. Select **OK** and select **No** when asked to retry.
5. Rebooting
 - a. On reboot after initial install, enter the SMS menu.
 - b. Boot from the installation source media.
 - c. If you are installing from CD media, continue to a point where you can abort the installation and return to the command line menu system.
 - d. If you are booting from the network, then you should already be presented with this menu.
 - e. Select to boot an installed system.
 - f. Select the root device that was just installed in the previous steps. Yast will again come up but from the root partition.
 - g. Finish the installation.
6. Upgrading to the latest service pack

If there is a service pack available, at the time of this writing there is currently SP2 available, upgrade the installed system to the latest service pack using `yast`. Once this is complete, view `/etc/lilo.conf` and verify that the data in this file looks correct for the boot and root partitions. Once this is verified run **lilo**. This permits the installation of the boot loader to the PReP boot partition of the drive where the installation error occurred from above.
7. Rebooting.
 - a. Reboot again and enter the SMS menu.

This time the boot device which has been setup over the previous steps is now ready to be booted.
 - b. Select to boot from a Hard Drive/SAN and select the Emulex device adapter associated with the SAN disk device on which the installation was completed.
 - c. The installation boot device should now be listed in the bootable devices discovered in the SAN on the selected Emulex HBA.
 - d. Select the appropriate device and boot.

SAN boot configuration

The system should now be booted in single-path mode from the SAN. Verify this by looking at the mounted devices and where the root is mounted, using the **df** command. Also verify that the swap, using **swapon -s** and other configured partitions are correctly mounted. This completes the single-path boot from SAN. To modify the boot/root and other devices for booting using the SDD driver continue with the following steps.

Note: The following instructions are examples and the values used herein might be different on your systems. In some cases, there will not be a `/boot` mount but rather the boot files will reside in the directory `/boot` on the root `/` mounted file system. It is recommended but not required that `vpatha` be used as the `vpath` boot device.

1. Install the IBM SDD driver

Download and install the IBM SDD driver for the kernel version being used. SDD is packaged in an RPM format and can be installed using the **rpm** command. See “Installing SDD” on page 175 for more information.

2. Extracting the initrd

The following will unzip and extract the initrd image so that it can be modified to include the required elements to enable a vpath boot image.

```
cd /boot
```

Locate the initrd image used for booting. This will be the image that `/etc/yaboot.conf` is pointing to. Note that the file pointed to might be symbolic link to another file. Copy the file to a temporary filename with a `.gz` extension; that is, if the file name is `initrd-2.6.5-7.191-pseries64` then:

```
cp initrd-2.6.5-7.191-pseries64 initrd.vp.gz
```

Unzip the file using **gunzip**.

```
gunzip initrd.vp.gz
```

Create a temporary directory where the image will be manipulated, for example, `/boot/mnt`. This is referred to as the *image temporary directory* throughout the rest of this documentation. Extract the image to that directory using the command:

```
mkdir -p /boot/mnt
cd /boot/mnt
cpio -iv < ../initrd.vp
```

3. Modifying the `/boot/initrd`

Create the following directories in the image temporary directory.

For SLES 9 on System p, there might already be a `mnt` directory in the temporary initrd image. If there is not, create one.

```
mkdir mnt
mkdir dev
mkdir -p lib/tls
mkdir -p lib64/tls
mkdir -p opt/IBMsdd/bin
chmod -R 640 opt/IBMsdd
```

Copy the following files to the following directories relative to the image temporary directory.

```
cp /opt/IBMsdd/sdd-mod.ko-2.6.5-7.191-pseries64 lib/
cp /opt/IBMsdd/bin/cfgvpath opt/IBMsdd/bin/
cp /bin/cat bin/
cp /bin/cp bin/
cp /bin/chown bin/
```

For each of the above binary files (except `sdd-mod.o`), run the **ldd** command and verify that the listed library files exist in the image temporary directory. If they do not, then copy the listed library files that do not exist to the corresponding `lib` and `lib64` directories in the image temporary directory.

An example script to gather the correct libraries and copy them to the correct directories:

```
for libs in `opt/IBMsdd/bin/cfgvpath /bin/cat /bin/cp /bin/chown`; do
  ldd $libs | awk '{print $(NF-1)}' | grep lib |
  while read line; do
    cp $line /boot/mnt$line
  done
done
```

Copy this additional library file.

4. Gather SDD Data in preparation for configuring `/etc/fstab`, `/etc/yaboot.conf` and `/boot/initrd`.

```
sdd start
```

The `/etc/vpath.conf` file has now been created. You should ensure that `vpatha` is used as the root device. Get the root's physical device's LUN ID using the `cfgvpath query` command (in this procedure `sda` is the root device). The `cfgvpath query` command will produce output similar to the following:

Note that some data from the following output has been modified for ease of reading.

```
cfgvpath query

/dev/sda (8, 0) host=0 ch=0 id=0 lun=0 vid=IBM pid=2105800 serial=12020870
  lun_id=12020870
/dev/sdb (8, 16) host=0 ch=0 id=0 lun=1 vid=IBM pid=2105800 serial=12120870
  lun_id=12120870
/dev/sdc (8, 32) host=0 ch=0 id=0 lun=2 vid=IBM pid=2105800 serial=12220870
  lun_id=12220870
/dev/sdd (8, 48) host=0 ch=0 id=0 lun=3 vid=IBM pid=2105800 serial=12320870
  lun_id=12320870
```

The `lun_id` for `/dev/sda` is 12020870. Edit the `/etc/vpath.conf` file using the `lun_id` for `vpatha` (`vpatha 12020870`). Remove all other entries from this file (they will be automatically added later by SDD).

5. Modify the `/etc/fstab` to use `vpath` devices for `/root` and `swap`.

Other devices using `vpaths` will also need to be changed. For the initial install, work only with the `root/boot/swap` devices and comment out other `sd` and `hd` devices until completed.

Original:

```
/dev/sdd4      /          ext3      acl,user_xattr  1 1
/dev/hda2     /data1    auto      noauto,user     0 0
/dev/hda4     /data2    auto      noauto,user     0 0
/dev/hda3     swap      swap      pri=42          0 0
/dev/sdd3     swap      swap      pri=42          0 0
devpts       /dev/pts  devpts    mode=0620,gid=5 0 0
proc         /proc     proc      defaults        0 0
usbfs        /proc/bus/usb usbfs     noauto         0 0
sysfs        /sys      sysfs     noauto         0 0
```

Modified:

```
/dev/vpatha4  /          ext3      acl,user_xattr  1 1
#/dev/hda2   /data1    auto      noauto,user     0 0
#/dev/hda4   /data2    auto      noauto,user     0 0
#/dev/hda3   swap      swap      pri=42          0 0
/dev/vpatha3  swap      swap      pri=42          0 0
devpts       /dev/pts  devpts    mode=0620,gid=5 0 0
proc         /proc     proc      defaults        0 0
usbfs        /proc/bus/usb usbfs     noauto         0 0
sysfs        /sys      sysfs     noauto         0 0
```

6. Stop SDD and copy `/etc` files to the image temporary directories.

```
sdd stop
cp /etc/vpath.conf /boot/mnt/etc
cp /etc/passwd /boot/mnt/etc
cp /etc/group /boot/mnt/etc
```

7. Edit the `/boot/mnt/linuxrc` file.

Edit the init file in the image temporary directory. Go to the line that has the creating device nodes message, right after the init script creates the device nodes using `/bin/udevstart`, and add the following lines after the `echo -n .` command in the script block.

```
echo "Creating vpath devices"
/opt/IBMsdd/bin/cfgvpath makenodes

echo "Mounting and copying some required SDD files"
/bin/mount -o rw -t <PARTITION TYPE> /dev/vpathXXX /mnt

/bin/cp /etc/vpath.conf /mnt/etc
/bin/umount /mnt
insmod /lib/scsi_mod.o
```

where `/dev/vpathXXX` is the root drive/partition.

8. Edit the `/boot/mnt/load_modules.sh` file.

Edit the `load_modules.sh` file in the image temporary directory and add the following lines to the end of the script:

```
echo "Loading SDD Module"
insmod /lib/sdd-mod.ko
```

Execute the following command from the `lib` directory. The linked module is the name of the module that was copied into the `lib` directory above.

```
cd /boot/mnt/lib
ln -s sdd-mod.ko-2.6.5-7.191-pseries64 sdd-mod.ko
```

9. Repackaging the `initrd`

To repackage all of the changes that have just been made to the `initrd`, execute the following commands:

```
cd /boot/mnt
find . | cpio -H newc -vo > /boot/initrd.vp
cd /boot
gzip initrd.vp
mv initrd.vp.gz initrd.vp
```

The `initrd-2.6.5-7.191-pseries64` now has the repackaged `initrd` image with the SDD drive and modified files required to boot from a vpath.

10. Modifying root device files

Additional files need to be modified on the root file system before the modifications are complete.

Modify `/etc/yaboot.conf`. Add a new entry in the file and modify the entry to point at the new `initrd` image created in the above step. Also modify the root device in the new entry to point to the vpath chosen from the previous steps. Remember to include the partition if required. Also make sure to modify the entry name.

Original `/etc/yaboot.conf`:

```
# header section
partition = 4
timeout = 100
default = linux
# image section
image = /boot/vmlinux
label = linux
append = "root=/dev/sdd4 selinux=0 elevator=cfq"
initrd = /boot/initrd
```

Modified /etc/yaboot.conf:

```
# header section
partition = 4
timeout = 100
default = linux
# image section
image = /boot/vmlinux
label = linux
append = "root=/dev/sdd4 selinux=0 elevator=cfq"
initrd = /initrd
image = /boot/vmlinux
label = linux-sdd
append = "root=/dev/vpatha3 selinux=0 elevator=cfq"
initrd = /boot/initrd.vp
```

11. Reboot

- a. Reboot the system.
- b. Enter SMS.
- c. Select the boot devices as before, if the boot device is not already set up as the first boot device.
- d. When the yaboot prompt is shown during boot, enter the given name for the new boot image.
- e. During the OS load it should now be seen that the IBMsdd module is loaded after the SAN disk devices are discovered.
- f. Ensure that there were no errors printed to the console during boot.
- g. If there were errors, reboot the system and at the yaboot prompt, select the old image to boot from. When the system boots, review the above steps and make any corrections to errors, then repeat these steps, starting with step 11 (repackaging the initrd).

If all the vpath devices that are discovered by **cfgvpath** were not created during the modification steps above, the **cfgvpath** might have to timeout waiting for these devices to be created.

Once the system comes up, login and verify that the root mount device is the device specified during the configuration, using **df**. Also validate that any other configured partitions and swap devices, using **swapon -s**, are also now mounted on vpath devices.

12. Verify System has reboot and SDD is configured correctly

Once booted, verify that vpath devices are being used. Add all other paths and reboot again. The following commands can be used to verify the use of vpath devices:

- **mount**
- **swapon -s**
- **lsvpcfg**
- **datapath query device**

At this point, the installed boot device can be set as the default boot device for the system. This step is not required, but is suggested because it enables unattended reboots after this procedure is complete.

SDD upgrade procedure

Use the following procedure to upgrade SDD:

1. Place the SDD rpm update package on the system
2. Restart the system in single-path mode (no SDD)
3. You might come to a **Repair filesystem** prompt. If so, then enter the root password. At the prompt, remount the file system as read/write.

```
mount -n -o remount,rw /
```

For systems that have /boot on a separate mount point, mount /boot partition using /dev/sd device.

4. Remove the previous SDD driver.

```
rpm -e IBMsdd
```

The /etc/vpath.conf file will be saved to vpath.conf.rpmsave.

5. Install the new SDD driver.

```
rpm -ivh IBMsdd-x.x.x.x-y.ppc64.sles9.rpm
mkdir -p /boot/mnt
cd /boot
mv initrd.vp initrd.vp.gz
gunzip initrd.vp.gz
cd /boot/mnt
cpio -iv < ../initrd.vp
cp /opt/IBMsdd/sdd-mod.ko-`uname -r` /boot/mnt/lib
```

6. Verify that the soft link sdd-mod.ko in /boot/mnt/lib points to the current SDD module.
7. Copy the new **cfgvpath** command and use the **ldd** command to verify that the correct libraries are installed for /boot/mnt/opt/IBMsdd/bin/cfgvpath.

```
cp /opt/IBMsdd/bin/cfgvpath /boot/mnt/opt/IBMsdd/bin/
```

8. Prepare the initrd.vp for booting.

```
cd /boot/mnt
find . | cpio -H newc -vo > /boot/initrd.vp
cd /boot
gzip initrd.vp
mv initrd.vp.gz initrd.vp
rm -rf mnt
cd /
```

9. Reboot the system.

SAN Boot Instructions for SLES 9 with IBM SDD (x86) and LVM 2

The following procedure is used to install SLES 9 x86 on an xSeries host with fibre-channel connect storage and configure SDD with LVM. This procedure assumes that no installation is present to work from and when completed, the boot and swap devices will be running on IBM SDD vpath devices and will be under LVM control.

Prerequisite steps

1. Ensure that the following conditions exist before continuing with this procedure:
 - a. The installation target **MUST** be single-pathed before installing SLES 9. It is also recommended to limit the installation to a single LUN if possible to ease the transition from single-path to IBM SDD vpath; however this is not required.
 - b. The QLogic BIOS should be enabled for discovery of SAN Devices and that the device that contains the kernel and initrd images, /boot mount point, be selected as the boot device in the QLogic BIOS. It is also recommended that the IBM Host Attachment Guide recommendations be followed when setting up the QLogic BIOS for SAN Boot.
 - c. Have a copy of SLES 9 SP2 i386 either network-accessible or on CD-ROM.
 - d. Be familiar with the SLES 9 installation. This includes understanding which packages will be installed.
 - e. Be familiar with setting up root, boot, swap and any other initial mount points that will be used for the setup of the initial system under LVM control.
 - f. Be familiar with how to set up a SAN network or direct-attached SAN storage devices so that the host system can access LUNs from those storage systems.
 - g. Be familiar with how to set up a SAN network or direct-attached SAN storage devices so that the host system can access LUNs from the those storage systems. Although SDD functions correctly in single-path environments, it is recommended that there be redundant physical paths to the devices from the host after completing this procedure.
 - h. Optionally, have an understanding of how the Linux kernel boot process functions and what processes and procedures that are used to boot a Linux distribution for a local storage device.
 - i. Ensure that there will be network access to the system.
2. Configure QLogic Devices
 - For ease of installation and to avoid issues with internal SCSI or IDE controllers, it is recommended that all internal disk drive controllers be disabled. This procedure assumes that this has been done.
 - Verify that the QLogic SAN HBA devices that are configured for the host have been setup to have their BOOT BIOS enabled. This permits discovery and use of SAN disk devices during this procedure. While in the QLogic Utility, configure the ESS Model 800 device from which the system will boot. If the utility cannot see the correct device, check the SAN and ESS Model 800 configurations before continuing.
3. Configure Boot/Root/SWAP devices

The root device that will be used for installation and booting should be at least 4 GB in size. If multiple partitions are being used, that is, /usr /var, then the total size of all mount points should be at least this size. This is the minimum size for installing a base package set from the installation media to the boot devices. More space might be required depending on the package selection.

The swap device be at least the size of physical memory that is configured in the host. For simplicity, these instructions assume that the boot, root, and swap devices are all located on the same device; however, this is not a requirement for the installation.

 - The boot (/boot) device must **NOT** be under LVM control.

- The root, (/), and other optional mount points, (/usr, /var, /opt), can be under LVM control. If they are not, then at a minimum they should be mounted to an IBM SDD vpath device.
- SWAP can also be under LVM control but this is not a requirement but should at least use a vpath device.

4. Installation Media

The installation media, or source for installation, can be CD-ROM, NFS, HTTP, FTP, and so on. For this installation we use an NFS-exported set of CD-ROMs. Any of the installation sources listed can be used.

5. Install

- From the BIOS Menus, select the installation source to boot from. Verify that the QLogic qla2300 SAN HBA module is loaded and that the SAN devices that will be used for installation have been detected successfully.
- Because of the way Linux discovers SAN devices, and if SAN devices have already been configured for multiple path access, Linux will discover the same physical device multiple times, once for each logical path to the device. Note which device will be used for the installation before proceeding, for example, /dev/sda.
- Select the desired options until arriving at the Installation Settings. Here, modifications of the partitioning settings are required for this installation. This is to make sure that the device noted in the previous step will be used for the root/boot installation target.
- The details of installation, partitioning, LVM setup, package selection, boot options, and so on, are not written up here. Please refer to installation procedures to determine which packages are needed for the type of system being installed.

6. Rebooting

- a. On reboot, modify the BIOS to boot from hard disk, the system should now boot to the newly installed OS.
- b. Verify that the system is booted from the correct disk and vpaths.
- c. At this point the installed boot device can be set as the default boot device for the system. This step is not required, but is suggested because it enables unattended reboots after this procedure is complete.

SAN boot configuration

The system should be booted in single-path mode from the SAN. Verify this by looking at the mounted devices and where the root is mounted, using the **df** command. Also verify that the swap, using **swapon -s** and other configured partitions are correctly mounted. This completes the single-path boot from SAN. To modify the boot/root and other devices for booting using the SDD driver continue with the following steps.

The following list contains notes about the install procedure that should be reviewed before beginning:

- All values and devices in the following procedure might not be the same on the system where this procedure is being conducted. It is, however, recommended (but not required) that you use *vpatha* as the physical device for the root volume group.
- Perform this procedure in a single-path environment. Once completed and booting with SDD and LVM configure the SAN for multipath.
- All commands in this procedure begin with a # sign and might be followed by the output of that command such as the command **pvdisplay**.

- Because `/boot` will not be under LVM control, it might be safer to work from within `/boot`. - I
- In this procedure, we will be working with a copy of the current `initrd` named `initrd.vp`.
- The volume groups for root and swap in the example are as follows:

```

/dev/rootVolGroup/
/dev/rootVolGroup/rootVol
/dev/rootVolGroup/swapVol
/dev/rootVolGroup/rootVol -> /dev/mapper/rootVolGroup-rootVol
/dev/rootVolGroup/swapVol -> /dev/mapper/rootVolGroup-swapVol
Physical device is sda2
vpath device vpatha2

```

- Before starting SDD, comment out any `sd` devices from `/etc/fstab` other than `/boot`. This will ensure all devices are written to the `/etc/vpath.conf` file. These devices might later be changed to `vpath` devices if the intent is to have them multipathed.
- The `/etc/fstab` will also need to be modified to point `/boot` from `/dev/sd[x]` or `LABEL=[some_label_name_here]` to `/dev/vpath[x]`.
- Modify the `/boot/grub/menu.lst` file to add an entry for the SDD `initrd`.
- Modify `/etc/lvm/lvm.conf` to recognize `vpath` devices and ignore `sd` devices.
- It is always a good idea to make copies of files that are going to be manually modified such as `/etc/fstab`, `/etc/vpath.conf`, `/etc/lvm/lvm.conf` and `/boot/grub/menu.lst`.

1. Install the IBM SDD driver

Download and install the IBM SDD driver for the kernel version being used. SDD is packaged in an RPM format and can be installed using the **rpm** command. See “Installing SDD” on page 175 for more information.

2. Use **pvdisplay** to show the physical volume(2) currently configured for use in LVM. These volumes will be converted from a single-path `sd` drive to the IBM SDD `vpath` device. The following is an example of the output from **pvdisplay**.

```

# pvdisplay

--- Physical volume ---
PV Name           /dev/sda2
VG Name           rootVolGroup
PV Size           9.09 GB / not usable 0
Allocatable       yes
PE Size (KByte)   32768
Total PE          291
Free PE           1
Allocated PE      290
PV UUID           SSm5g6-UoWj-evHE-kBj1-3QB4-EVi9-v88xiI

```

3. Modify the `/etc/fstab`, ensuring that:

- `LABEL=` is not being used.
- `/boot` is mounted on a `vpath` device.

There is a one-to-one correlation between `sd` and `vpath` minor devices, for example, `sda1` and `vpatha1`.

Major devices, however, might not necessarily correlate; for example, `sdb1` could be `vpathd1`.

Note that because `/boot` was installed on `/dev/sda1` and we have made `vpatha` correspond to `sda` in the `/etc/vpath.conf` file then `/dev/vpatha1` will be the mount device for `/boot`.

Example:

Change from:

```
/dev/rootVolGroup/rootVol /      ext3 defaults 1 1
LABEL=/boot                /boot ext3 defaults 1 2
/dev/rootVolGroup/swapVol swap  swap defaults 0 0
```

To:

```
/dev/rootVolGroup/rootVol /      ext3 defaults 1 1
/dev/vpath1                /boot ext3 defaults 1 2
/dev/rootVolGroup/swapVol swap  swap defaults 0 0
```

4. Modify the `/boot/grub/menu.lst` file. Add an entry before the first title entry for the SDD/LVM boot using `initrd.vp`. Verify which is the default boot image. The default line should point to the new entry. Make sure the root and resume are identical to the current Linux installation.

```
...
title Linux w/LVM w/SDD
kernel (hd0,0)/vmlinuz root=/dev/system/lv00 resume=/dev/system/swap
selinux=0 splash=silent barrier=off elevator=cfq
initrd (hd0,0)/initrd.vp
...
```

5. Modify `/etc/lvm/lvm.conf`

This procedure will modify LVM to only discover vpath style devices.

Comment out the default filter line.

Example:

```
filter = [ "a./" ]
```

Add the following line:

```
filter = [ "a/vpath*", "r/sd*" ]
```

In the `types =` section add an entry for vpath

```
types = [ "vpath", 16 ]
```

6. Modify boot scripts.

To support the addition of vpath devices during boot and possible changes to the device-mapper we need to add and modify the following boot scripts.

```
# cd /etc/init.d/boot.d
# ln -s ../boot.udev S04boot.udev
# vi S06boot.device-mapper
```

Add the following lines after `/sbin/devmap_mkknod.sh`:

```
/sbin/dmsetup mknodes

# cd /etc/init.d
# vi boot.local
```

Add the following line to the bottom of the file:

```
/opt/IBMsdd/bin/cfgvpath
```

7. Start SDD:

```
sdd start
```

The `/etc/vpath.conf` file has now been created. You should ensure that `vpatha` is the root device. We must get the root's physical device's LUN ID using the **`cfgvpath query`** command (in this procedure `sda` is the root device).

The **`cfgvpath query`** command will produce output similar to the following: Note that some data from the following output has been modified for ease of reading.

```
# cfgvpath query
/dev/sda (8, 0) host=0 ch=0 id=0 lun=0 vid=IBM pid=2105800 serial=12020870
lun_id=12020870
```

The `lun_id` for `/dev/sda` is 12020870. This is the `sd` device that we want to map to `vpatha`. Edit the `/etc/vpath.conf` file using the `lun_id` for `vpatha`. Remove all other entries from this file (they will be automatically added later by SDD) .

```
vpatha 12020870
```

8. Prepare the `initrd` file.

The `[initrd file]` refers to the current `initrd` in `/boot`. The correct `initrd` can be determined by the following method:

```
# ls -lA /boot | grep initrd | grep $(uname -r)
cd /boot
cp [initrd file] to initrd.vp.gz
gunzip initrd.vp.gz
mkdir /boot/mnt
```

`initrd-2.6.5-7.191-smp` might be the result.

```
cd /boot
cp [initrd file] to initrd.vp.gz
gunzip initrd.vp.gz
mkdir /boot/mnt
```

For the `ext2` file system, the `initrd` might be required to resize the `initrd` file system.

9. Resizing and mounting the `initrd` image.

For `x86`-based systems, the `initrd` is an `ext2` filesystem. Because of the need to add files to the `initrd` image, you should increase the size of the image before continuing. When executing the **`e2fsck -f initrd.vp`** command you will be prompted create a `/lost+found` directory. Enter **`y`** to create this directory.

```
e2fsck 1.36 (05-Feb-2005)
Pass 1: Checking inodes, blocks, and sizes
Pass 2: Checking directory structure
Pass 3: Checking directory connectivity
/lost+found not found. Create<y>?

# dd if=/dev/zero of=initrd.vp seek=33554432 count=1 bs=1
# e2fsck -f initrd.vp
# resize2fs -f initrd.vp
# mount -o loop -t ext2 initrd.vp /boot/mnt
```

Note: For the remainder of this procedure, work from `/boot/mnt`.

10. Make additional directories in /boot/mnt if they do not exist.

```
# mkdir /boot/mnt/mnt
# mkdir -p /boot/mnt/opt/IBMsdd/bin
# chmod -R 640 /boot/mnt/opt/IBMsdd
# mkdir -p /boot/mnt/lib/tls
```

11. Copy the following /etc files to /boot/mnt/etc.

```
# cp /etc/vpath.conf /boot/mnt/etc/
# cp /etc/group /boot/mnt/etc/
# cp /etc/passwd /boot/mnt/etc/
# cp /etc/nsswitch.conf /boot/mnt/etc/
# cp /etc/fstab /boot/mnt/etc/
# cp /etc/lvm/lvm.conf /boot/mnt/etc/lvm/
```

12. Modify the /boot/mnt/etc/fstab file.

Remove all lines that begin with /dev/*

13. Modify the /boot/mnt/etc/nsswitch.conf file.

- a. Change:

```
passwd: compat
```

To:

```
passwd: files
```

- b. Change:

```
group: compat
```

To:

```
group: files
```

14. Copy /opt/IBMsdd/bin/cfgvpath to /boot/mnt/opt/IBMsdd/bin/.

```
# cp /opt/IBMsdd/bin/cfgvpath /boot/mnt/opt/IBMsdd/bin/
# chmod 755 /boot/mnt/opt/IBMsdd/bin/*
```

15. Copy required library files for **cfgvpath**.

Use the **ldd** command to determine the library files and locations.

Example:

```
ldd /opt/IBMsdd/bin/cfgvpath | awk {print $(NF-1)}
```

The output of the **ldd** command might be similar to the following:

```
/lib/tls/libc.so.6
/lib/ld-linux.so.2
```

These files must be copied to the /boot/mnt/lib/tls/ and /boot/mnt/lib/ directories respectively.

16. Copy the correct **sdd-mod.o** file to the **initrd** file system. Use the **uname -r** command to determine the correct **sdd-mod.o** file and create a soft link.

Example:

The **uname -r** command will return something similar to 2.6.5-7.191-smp.

```
# cp /opt/IBMsdd/sdd-mod.ko-<uname -r> /boot/mnt/lib/sdd-mod.ko
```

17. Verify the following file exist in the initrd image. If the do not exist, then copy the following binaries:

```
# cp /bin/tar /boot/mnt/bin/  
# cp /bin/awk /boot/mnt/bin/  
# cp /bin/chown /boot/mnt/bin/  
# cp /bin/grep /boot/mnt/bin/  
# cp /bin/mknod /boot/mnt/bin/  
# cp /bin/cp /boot/mnt/bin/
```

18. Copy the required library files for each binary that you copied over in step 15. Use the **ldd** command to determine the library files and locations.

Note: Many binaries use the same libraries, so there might be duplications of copying. Verify that the libraries do not already exist in `/boot/mnt/lib`, if they already exist, then there is no need to copy over a new version.

Example:

```
# ldd /bin/mknod | awk '{print $(NF-1)}' | grep lib  
  
/lib/libselinux.so.1  
/lib/tls/libc.so.6  
/lib/ld-linux.so.2
```

The above files must be copied to the `/boot/mnt/lib/tls/` and `/boot/mnt/lib/` directories respectively.

Also, copy the following library file to `/boot/mnt/lib/`.

```
cp /lib/libnss_files.so.2 /boot/mnt/lib
```

19. Modify the `/boot/mnt/linuxrc` file.

Add the following lines just before the statement, `echo Loading kernel/drivers/md/dm-snapshot.ko`.

```
echo "Loading SDD module"  
insmod /lib/sdd-mod.ko  
echo "Creating vpath devices"  
/opt/IBMsdd/bin/cfgvpath
```

Ensure that an updated copy of `vpath.conf` is copied to the `/root` file system by using the following syntax to mount the root file system.

```
/bin/mount -o rw -t [fstype] [device] /mnt
```

Add the following lines just after `[vgchange <...>]`. The values used for the `[fstype]` and `[device]` here are only examples. Use the correct values for the system that is being configured.

```
/bin/mount -o rw -t ext3 /dev/vpatha3 /mnt  
/bin/cp /etc/vpath.conf /mnt/etc/  
cd /mnt
```

20. Prepare the mounted initrd file system for rebooting:

```
# cd /boot
# umount /boot/mnt
# gzip initrd.vp
# mv initrd.vp.gz initrd.vp
# cd /
```

21. Once booted, verify that vpath devices are being used. Add all other paths and reboot again. The following commands can be used to verify the use of vpath devices.

```
mount
swapon -s
pvdisplay
lsvpcfg
datapath query device
```

SAN Boot instructions for RHEL 4 with IBM SDD (x86)

The following procedure is used to install RHEL 4 x86 on an xSeries host with fibre-channel connect storage. This procedure assumes that no installation is present to work from and when completed, the boot and swap devices will be running on IBM SDD vpath devices.

Prerequisite steps

1. Ensure that the following conditions exist before continuing with this procedure:
 - a. The installation target MUST be single-pathed before installing RHEL 4.
 - b. Have a copy of RHEL 4 U1 or U2 i386 either network-accessible or on CD-ROM.
 - c. Be familiar with the RHEL 4 installation. This includes understanding which packages will be installed.
 - d. Be familiar with how to set up a SAN network or direct-attached SAN storage devices so that the host system can access LUNs from those storage systems. (This procedure was performed on an ESS Model 800).
 - e. Be familiar with creating LUNs on the ESS Model 800 so that the host can access the ESS Model 800 devices.
 - f. Although SDD functions correctly in single-path environments, it is recommended that there be redundant physical paths to the devices from the host after installation of RHEL 4.
 - g. Optionally, have an understanding of how the Linux kernel boot process functions and what processes and procedures that are used to boot a Linux distribution for a local storage device.
 - h. Ensure that there will be network access to the system.
2. Configure QLogic Devices

Note: For ease of installation and to avoid issues with internal SCSI or IDE controllers, all internal disk drive controllers should be disabled. This procedure assumes that this has been done.

- Verify that the QLogic SAN HBA devices that are configured for the host have been setup to have their BOOT BIOS enabled. This permits discovery and use of SAN disk devices during this procedure. While in the QLogic Utility, configure the ESS Model 800 device from which the system will boot. If the utility cannot see the correct device, check the SAN and ESS Model 800 configurations before continuing.
3. Configure Boot/Root/SWAP devices.

- The boot device that will be used for installation and booting should be at least 4 GB in size. This is the minimum size for installing a base package set from the installation media to the boot devices.
- It is also recommended that the swap device be at least the size of physical memory that is configured in the host. For simplicity these instructions assume that the boot, root, and swap devices are all located on the same device. However, this is not a requirement for the installation.

4. Installation Media

The installation media, or source for installation, can be CD-ROM, NFS, HTTP, FTP, and so forth. For this installation, we use an NFS-exported set of CD-ROMs. Any of the installation sources listed can be used.

5. Install

- Verify that the QLogic qla2030 SAN HBA module is loaded and that the SAN devices that will be used for installation have been detected successfully.
- For Emulex fibre HBAs, use Emulex utility software for the Emulex model to enable the Emulex HBA BIOS (to use this utility, the system must be booted to DOS). After the BIOS is enabled go into the Emulex BIOS during POST boot and enable the boot BIOS for each adapter and select the boot LUN from the list.
- Because of the way Linux discovers SAN devices, and if SAN devices have already been configured for multiple path access, Linux will discover the same physical device multiple times, once for each logical path to the device. Note which device will be used for the installation before proceeding, that is, /dev/sda.
- Select the desired options until arriving at the Installation Settings. Here, modifications of the partitioning settings are required for this installation. This is to make sure that the device noted in the previous step will be used for the root/boot installation target.
- The details of installation and partitioning are not written up here. Please refer to installation procedures to determine which packages are needed for the type of system being installed.

6. Rebooting

- a. On reboot, modify the BIOS to boot from hard disk; the system should now boot to the newly installed OS.
- b. At this point the installed boot device can be set as the default boot device for the system. This step is not required, but is suggested because it enables unattended reboots after this procedure is complete.

SAN boot configuration

The system should be booted in single-path mode from the SAN. Verify this by looking at the mounted devices and where the root is mounted, using the **df** command. Also verify that the swap, using **swapon -s** and other configured partitions are correctly mounted. This completes the single-path boot from SAN.

The following list of suggestions should be noted before beginning this procedure:

Notes:

1. The following instructions are examples and the values used herein might be different on your system. In some cases, there will not be a /boot mount but rather the boot files will reside in the directory /boot on the root "/" mounted file system. It is recommended, but not required, that vpatha be used as the vpath boot device.

2. All values and devices in the following procedure might not be the same on the system where this procedure is being conducted. It is, however, recommended (but not required) to use *vpatha* as the physical device for the root volume group.
3. Perform this procedure in a single-path environment. Once completed and booting with SDD and LVM, configure the SAN for multipath.
4. All commands in this procedure begin with a # sign and might be followed by the output of that command.
5. In this procedure, we will be working with a copy of the current initrd named `initrd.vp`.
6. Before starting SDD, comment out any `sd` devices from `/etc/fstab` other than `/boot`. This will ensure all devices are written to the `/etc/vpath.conf` file. These devices might later be changed to `vpath` devices if the intent is to have them multipathed.
7. The `/etc/fstab` will also need to be modified to point `/boot` from `/dev/sd[x]` or `LABEL=[some_label_name_here]` to `/dev/vpath[x]`.
8. Modify the `/boot/grub/menu.lst` file to add an entry for the SDD initrd.
9. It is always a good idea to make copies of files that are going to be manually modified such as `/etc/fstab`, `/etc/vpath.conf`, `/etc/lvm/lvm.conf` and `/boot/grub/menu.lst`.

To modify the boot/root and other devices for booting using the SDD driver, continue with the following steps:

1. Install the IBM SDD driver

Download and install the IBM SDD driver for the kernel version being used. SDD is packaged in an RPM format and can be installed using the **rpm** command. See “Installing SDD” on page 175 for more information.

2. Modify the `/etc/fstab` file, ensuring that:
 - a. `LABEL=` is not being used
 - b. `/boot` is mounted on a `vpath` device

Because Red Hat writes labels to the disk and uses labels in the `/etc/fstab` the `/boot` device might be specified as a label, that is, `LABEL=/boot`. This might, however, be a different label other than `LABEL=/boot`. Check for line in the `/etc/fstab` where `/boot` is mounted and change it to the correct `vpath` device. Also ensure that any other device specified with the `LABEL=` feature is changed to a `/dev/sd` or `/dev/vpath` device. `LABEL=` in a multi-pathed environment confuses Red Hat.

There is a one-to-one correlation between `sd` and `vpath` minor devices; for example, `sda1` and `vpatha1`. Major devices, however, might not necessarily correlate; for example, `sdb1` could be `vpathd1`. Note that because `/boot` was installed on `/dev/sda1` and we have made `vpatha` correspond to `sda` in the `/etc/vpath.conf` file, then `/dev/vpatha1` will be the mount device for `/boot`.

3. Gather SDD data in preparation for configuring `/etc/fstab`, `menu.lst` and `/boot/initrd`.

```
sdd start
```

The `/etc/vpath.conf` file has now been created. You should ensure that `vpatha` is the root device. We must get the root’s physical device’s LUN ID using the **cfgvpath query** command (in this procedure `sda` is the root device).

The **cfgvpath query** command will produce output similar to the following: Note that some data from the following output has been modified for ease of reading.

```
cfgvpath query
/dev/sda (8, 0) host=0 ch=0 id=0 lun=0 vid=IBM pid=2105800 serial=12020870
lun_id=12020870
/dev/sdb (8, 16) host=0 ch=0 id=0 lun=1 vid=IBM pid=2105800 serial=12120870
lun_id=12120870
/dev/sdc (8, 32) host=0 ch=0 id=0 lun=2 vid=IBM pid=2105800 serial=12220870
lun_id=12220870
/dev/sdd (8, 48) host=0 ch=0 id=0 lun=3 vid=IBM pid=2105800 serial=12320870
lun_id=12320870
```

The `lun_id` for `/dev/sda` is 12020870. Edit the `/etc/vpath.conf` file using the `lun_id` for `vpatha`. Remove all other entries from this file (they will be automatically added later by SDD).

Add an entry for the SDD/LVM boot using `initrd.vp`

4. Modify the `/boot/grub/menu.lst` file

```
title Red Hat Enterprise Linux AS (2.6.9-11.ELsmp) w/SDD
root (hd0,0)
kernel /vmlinuz-2.6.9-11.ELsmp ro root=/dev/vpatha3
initrd /initrd.vp
```

5. Prepare the `initrd` file.

The `[initrd file]` refers to the current `initrd` in `/boot`. The correct `initrd` can be determined by the following method:

```
ls -lA /boot | grep initrd | grep $(uname -r)

initrd-2.6.9-11.ELsmp.img might be the result.

cd /boot
cp [initrd file] to initrd.vp.gz
gunzip initrd.vp.gz
mkdir /boot/mnt
```

6. Change directory to `/boot` and un-archive the `initrd` image to `/boot/mnt`.

```
cd /boot/mnt
cpio -iv < ../initrd.vp
```

7. Make additional directories in `/boot/mnt`.

```
mkdir mnt
mkdir -p opt/IBMsdd/bin
chmod -R 640 opt/IBMsdd
mkdir -p lib/tls
```

8. Copy the following `/etc` files to `/boot/mnt/etc`.

```
cp /etc/vpath.conf /boot/mnt/etc/
cp /etc/group /boot/mnt/etc/
cp /etc/passwd /boot/mnt/etc/
cp /etc/nsswitch.conf /boot/mnt/etc/
cp /etc/fstab /boot/mnt/etc/
```

9. Copy `/opt/IBMsdd/bin/cfgvpath` to `/boot/mnt/opt/IBMsdd/bin/`

```
cp /opt/IBMsdd/bin/cfgvpath /boot/mnt/opt/IBMsdd/bin
```

10. Copy required library files for **cfgvpath**. Use the **ldd** command to determine the library files and locations.

Example:

```
ldd /opt/IBMsdd/bin/cfgvpath | awk '{print $(NF-1)}'
```

The **ldd** command returns something similar to the following:

```
/lib/tls/libc.so.6  
/lib/ld-linux.so.2
```

These files must be copied to the **/boot/mnt/lib/tls/** and **/boot/mnt/lib/** directories respectively.

11. Copy the correct **sdd-mod** to the **initrd** file system.

Use the **uname -r** command to determine the correct **sdd-mod** and create a soft link.

Example:

The command will return something similar to **2.6.9-11.ELsmp**

```
cp /opt/IBMsdd/sdd-mod.ko-2.6.9-11.ELsmp /boot/mnt/lib/sdd-mod.ko
```

12. Copy the following binaries and change permissions to **755**:

```
cp /bin/mknod /boot/mnt/bin/  
cp /bin/cp /boot/mnt/bin/
```

13. Copy required library files for each binary copied to the **/boot/mnt** directory in the previous step. Use the **ldd** command to determine the library files and locations.

Note: Many binaries use the same libraries so there might be duplications of copying. Also, copy the following libraries:

```
ldd /bin/mknod | awk '{print $(NF-1)}' | grep lib  
  
/lib/libselinux.so.1  
/lib/tls/libc.so.6  
/lib/ld-linux.so.2
```

The above files must be copied to the **/boot/mnt/lib/tls/** and **/boot/mnt/lib/** directories respectively. Also, copy the following library files to **/boot/mnt/lib/**.

```
cp /lib/libproc-3.2.3.so /boot/mnt/lib/  
cp /lib/libtermcap.so.2 /boot/mnt/lib/  
cp /lib/libnss_files.so.2 /boot/mnt/lib/
```

14. Modify the **/boot/mnt/init** file.

Add the following lines after the modules load and just before the **/sbin/udevstart**. Note that **/sbin/udevstart** can exist multiple times in the **initrd**. Make sure these lines are added before the correct **/sbin/udevstart** entry which is located after the kernel modules load.

```
echo "Loading SDD module"  
insmod /lib/sdd-mod.ko  
echo "Creating vpath devices"  
/opt/IBMsdd/bin/cfgvpath makenodes
```

Ensure that an updated copy of `vpath.conf` is copied to the `/root` file system at boot time by using the following syntax to mount the root file system.

```
/bin/mount -o rw -t [fstype] [device] /mnt
```

Add the following lines to the init file just after the previously added entries. Values used for the `[fstype]` and `[device]` here are only examples. Use the correct values for the system that is being configured.

```
/bin/mount -o rw -t ext3 /dev/vpatha3 /mnt  
/bin/cp /etc/vpath.conf /mnt/etc/  
/bin/umount /mnt
```

15. Use **cpio** to archive the `/boot/mnt` directory and **gzip** it in preparation for rebooting.

```
find . | cpio -H newc -vo > ../initrd.vp  
cd /boot  
gzip initrd.vp  
mv initrd.vp.gz initrd.vp  
rm -rf mnt  
cd /  
shutdown -r now
```

16. Once booted, verify that vpath devices are being used. Add all other paths and reboot again. The following commands can be used to verify the use of vpath devices.

```
mount  
swapon -s  
lsvpcfg  
datapath query device
```

SDD upgrade procedure

Use the following procedure to upgrade SDD:

1. Place the SDD rpm update package on the system
2. Restart the system in single-path mode (no SDD)
3. You might come to a **Repair filesystem** prompt. If so, then enter the root password. At the prompt, remount the file system as read/write.

```
mount -n -o remount,rw /
```

For systems that have `/boot` on a separate mount point, mount `/boot` partition using `/dev/sd` device.

4. Remove the previous SDD driver.

```
rpm -e IBMsdd
```

The `/etc/vpath.conf` file will be saved to `vpath.conf.rpmsave`.

5. Install the new SDD driver.

```

rpm -ivh IBMsdd-x.x.x.x-y.i686.rhel4.rpm
mkdir -p /boot/mnt
cd /boot
mv initrd.vp initrd.vp.gz
gunzip initrd.vp.gz
cd /boot/mnt
cpio -iv < ../initrd.vp
cp /opt/IBMsdd/sdd-mod.ko-`uname -r` /boot/mnt/lib/

```

6. Verify that the soft link `sdd-mod.ko` in `/boot/mnt/lib` points to the current SDD module.
7. Copy the new **cfgvpath** command and use the **ldd** command to verify that the correct libraries are installed for `/boot/mnt/opt/IBMsdd/bin/cfgvpath`.

```
cp /opt/IBMsdd/bin/cfgvpath /boot/mnt/opt/IBMsdd/bin/
```

8. Prepare the `initrd.vp` for booting.

```

cd /boot/mnt
find . | cpio -H newc -vo > /boot/initrd.vp
cd /boot
gzip initrd.vp
mv initrd.vp.gz initrd.vp
rm -rf mnt
cd /

```

9. Reboot the system.

SAN Boot instructions for RHEL 4 with IBM SDD (ppc)

The following procedure is used to install RHEL 4 ppc onto a System p host with fibre-channel connected storage. It is assumed that no installation is present to work from and when completed, the boot and swap devices will be running on IBM SDD vpath devices.

Prerequisite steps

1. Ensure that the following conditions exist before continuing with this procedure:
 - The installation target must be single-pathed before installing RHEL 4.
 - Have a copy of RHEL 4 either network accessible or on CD-ROM.
 - Be familiar with the RHEL 4 installation. This includes understanding which packages will be installed and how to select required options through the installation.
 - Be familiar with how to set up a SAN network or direct-attached SAN storage devices so that the host system can access LUNs from those storage systems (this procedure was performed on an ESS Model 800).
 - Be familiar with creating LUNs on the ESS Model 800 so that the host can access the ESS Model 800 devices. Although SDD functions correctly in single-path environments, there should be redundant physical paths to the devices from the host after installation of RHEL 4.
 - Optionally, have an understanding of how the Linux kernel boot process functions and what processes and procedures that are used to boot a Linux distribution for a local storage device.
 - Ensure that there is network access to the system.
2. Configure QLogic devices

- For ease of installation and to avoid issues with internal SCSI or IDE controllers, all internal disk drive controllers should be disabled. This procedure assumes that this has been done.
 - Verify that the QLogic SAN HBA devices that are configured for the host have been setup to have their BOOT BIOS enabled. This permits discovery and use of SAN disk devices during this procedure. While in the QLogic Utility, configure the ESS Model 800 device from which the system will boot. If the utility cannot see the correct device, check the SAN and ESS Model 800 configurations before continuing.
3. Configure root/boot/swap devices
 - The physical boot device that will be used for installation and booting should be at least 4 GB in size. This is the minimum size for installing all packages from the installation media to the boot devices.
 - It is also recommended that the swap device be at least the size of physical memory that is configured in the LPAR. For simplicity these instructions assume that the root/boot/swap devices are all located on the same device; however this is not a requirement for the installation.
 4. Installation Media

The installation media, or source for installation, can be CD-ROM, NFS, HTTP, FTP, or so on. For this installation, an NFS-exported set of CD-ROMs was used. Any of the installation sources listed can be used.
 5. Use this procedure to install RHEL 4:
 - a. From the BIOS Menus, select the installation source to boot from.
 - b. Verify that the QLogic qla2030 SAN HBA module is loaded and that the SAN devices that will be used for installation have been detected successfully.

Note: Because of the way Linux discovers SAN devices, and if SAN devices have already been configured for multiple path access, Linux will discover the same physical device multiple times, once for each logical path to the device. Take note which device will be used for the installation before proceeding, that is, /dev/sda.
 - c. Select the desired options until arriving at the Installation Settings.

Here, modification of the partitioning settings is required for this installation. This is to make sure that the device noted in the previous step will be used for the root/boot installation target.
 - d. The details of installation and partitioning are not written up here. Please refer to installation procedures to determine which packages are needed for the type of system being installed.
 6. Rebooting
 - a. On reboot, modify the BIOS to boot from hard disk, the system should now boot to the newly installed OS.
 - b. At this point the installed boot device can be set as the default boot device for the system. This step is not required, but is suggested because it enables unattended reboots after this procedure is complete.

SAN boot configuration

The system should now be booted in single-path mode from the SAN. Verify this by looking at the mounted devices and where the root is mounted, using the **df** command. Also verify that the swap, using **swapon -s** and other configured partitions are correctly mounted. This completes the single-path boot from SAN. To modify the boot/root and other devices for booting using the SDD driver continue with the following steps.

The following list of suggestions should be noted before beginning this procedure:

Notes:

1. All values and devices in the following procedure might not be the same on the system where this procedure is being conducted. It is, however, recommended (but not required) to use *vpatha* as the physical device for the root volume group.
2. Perform this procedure in a single-path environment. Once completed and booting with SDD configure the SAN for multipath.
3. All commands in this procedure begin with a # sign and might be followed by the output of that command.
4. This procedure uses a copy of the current initrd named *initrd.vp*.
5. Before starting SDD, comment out any *sd* devices from */etc/fstab* other than */boot*. This ensures that all devices are written to the */etc/vpath.conf* file. These devices can later be changed to *vpath* devices if the intent is to have them multi-pathed. This is not absolutely required.
6. The */etc/fstab* will also need to be modified to point */boot* from */dev/sd[x]* or *LABEL=[some_label_name_here]* to */dev/vpath[x]*.
7. Modify the */boot/grub/menu.lst* file to add an entry for the SDD *initrd*.
8. It is always a good idea to make copies of files that are going to be manually modified such as */etc/fstab*, */etc/vpath.conf* and */boot/grub/menu.lst*.

Note:

1. Install the IBM SDD driver

Download and install the IBM SDD driver for the kernel version being used. SDD is packaged in an RPM format and can be installed using the **rpm** command. See “Installing SDD” on page 175 for more information.

2. Modify the */etc/fstab* file, ensuring that:
 - a. LABEL= is not being used
 - b. */boot* is mounted on a *vpath* device

Because Red Hat writes labels to the disk and uses labels in the */etc/fstab* the *boot (/boot)* device might be specified as a label, that is, *LABEL=/boot*. This might, however, be a different label other than *LABEL=/boot*. Check for line in the */etc/fstab* where */boot* is mounted and change it to the correct *vpath* device. Ensure that any other device specified with the LABEL= feature is changed to a */dev/sd* or */dev/vpath* device. LABEL= in a multi-pathed environment confuses Red Hat.

There is a one-to-one correlation between *sd* and *vpath* minor devices; for example, *sda1* and *vpatha1*. Major devices, however, might not necessarily correlate; for example, *sdb1* could be *vpathd1*. Note that because */boot* was installed on */dev/sda1* and we have made *vpatha* correspond to *sda* in the */etc/vpath.conf* file, then */dev/vpatha1* will be the mount device for */boot*.

3. Modify */etc/yaboot.conf*.

Add an entry for the SDD/LVM boot using *initrd.vp*.


```

image=/vmlinuz-2.6.9-22.0.1.EL
label=linux-22.01
read-only
initrd=/initrd-2.6.9-22.0.1.EL.img
append="console=hvc0 root=/dev/sda4"

image=/vmlinuz-2.6.9-22.0.1.EL
label=linux-22.01-sdd
read-only
initrd=/initrd.vp
append="console=hvc0 root=/dev/vpatha4"

```

Collect SDD data in preparation for configuring `/etc/vpath.conf`, `/etc/fstab`, `etc/yaboot.conf` and `/boot/initrd`.

```
sdd start
```

The `/etc/vpath.conf` file has now been created. You should ensure that `vpatha` is the root device. You must get the root's physical device's LUN ID using the **cfgvpath query** command (in this procedure `sda` is the root device).

The **cfgvpath query** command will produce output similar to the following: Note that some data from the following output has been modified for ease of reading.

```

cfgvpath query

/dev/sda (8, 0) host=0 ch=0 id=0 lun=0 vid=IBM pid=2105800 serial=12020870
lun_id=12020870
/dev/sdb (8, 16) host=0 ch=0 id=0 lun=1 vid=IBM pid=2105800 serial=12120870
lun_id=12120870
/dev/sdc (8, 32) host=0 ch=0 id=0 lun=2 vid=IBM pid=2105800 serial=12220870
lun_id=12220870
/dev/sdd (8, 48) host=0 ch=0 id=0 lun=3 vid=IBM pid=2105800 serial=12320870
lun_id=12320870

```

The `lun_id` for `/dev/sdb` is 12020870. Edit the `/etc/vpath.conf` file using the `lun_id` for `vpatha`. Remove all other entries from this file (they will be automatically added later by SDD) .

4. Prepare the initrd file

The `[initrd file]` refers to the current `initrd` in `/boot`. The correct `initrd` can be determined by the following method:

```
ls -lA /boot | grep initrd | grep $(uname -r)
```

`initrd-2.6.9-22.0.1.img` is the result.

```

cd /boot
cp [initrd file] to initrd.vp.gz
gunzip initrd.vp.gz
mkdir /boot/mnt

```

5. Change directory to `/boot/mnt` and un-archive the `initrd` image to `/boot/mnt`.

```

cd /boot/mnt
cpio -iv < ../initrd.vp

```

6. Make additional directories in `/boot/mnt`.

```
mkdir mnt
mkdir -p opt/IBMsdd/bin
chmod -R 640 opt/IBMsdd
mkdir -p lib/tls
```

7. Copy the following /etc files to /boot/mnt/etc

```
cp /etc/vpath.conf /boot/mnt/etc/
cp /etc/group /boot/mnt/etc/
cp /etc/passwd /boot/mnt/etc/
cp /etc/nsswitch.conf /boot/mnt/etc/
cp /etc/fstab /boot/mnt/etc/
```

8. Copy /opt/IBMsdd/bin/cfgvpath to /boot/mnt/opt/IBMsdd/bin/

```
cp /opt/IBMsdd/bin/cfgvpath /boot/mnt/opt/IBMsdd/bin/
```

9. Copy required library files for **cfgvpath**. Use the **ldd** command to determine the library files and locations.

Example:

```
ldd /opt/IBMsdd/bin/cfgvpath | awk '{print $(NF-1)}'
```

The **ldd** command returns something similar to the following:

```
/lib/tls/libc.so.6
/lib/ld-linux.so.2
```

These file must be copied to the /boot/mnt/lib64/tls/ and /boot/mnt/lib64/ directories respectively.

10. Copy the correct sdd-mod to the initrd file system. Use the **uname -r** command to determine the correct sdd-mod.

The **uname -r** command returns something similar to 2.6.9-22.0.1

```
cp /opt/IBMsdd/sdd-mod.ko-2.6.9-22.0.1 /boot/mnt/lib/sdd-mod.ko
```

11. Copy the following binaries and change permissions to 755:

```
cp /bin/mknod /boot/mnt/bin/
cp /bin/mount /boot/mnt/bin/
cp /bin/umount /boot/mnt/bin/
cp /bin/cp /boot/mnt/bin/
chmod 755 /boot/mnt/bin/*
```

12. Copy required library files for each binary copied to the /boot/mnt directory in the previous step.

Use the **ldd** command to determine the library files and locations.

Many binaries use the same libraries so there might be duplications of copying.

Example:

```
ldd /bin/mknod | awk '{print $(NF-1)}' | grep lib

/lib/libselinux.so.1
/lib/tls/libc.so.6
/lib/ld-linux.so.2
```

The above files must be copied to the /boot/mnt/lib/tls/ and /boot/mnt/lib/ directories respectively.

Also, copy the following library files to /boot/mnt/lib/.

```
cp /lib/libproc-3.2.3.so /boot/mnt/lib/  
cp /lib/libtermcap.so.2 /boot/mnt/lib/  
cp /lib/libnss_files.so.2 /boot/mnt/lib/
```

13. Modify the /boot/mnt/init file.

Add the following lines after the modules load and just before the /sbin/udevstart. Note that /sbin/udevstart may exist multiple times in the initrd. Make sure these lines are added before the correct /sbin/udevstart entry which is located after the kernel modules load.

```
echo "Loading SDD module"  
insmod /lib/sdd-mod.ko  
echo "Creating vpath devices"  
/opt/IBMsdd/bin/cfgvpath makenodes
```

14. Use **cpio** to archive the /boot/mnt directory and **gzip** it in preparation for rebooting.

```
find . | cpio -H newc -vo > ../initrd.vp  
cd /boot  
gzip initrd.vp  
mv initrd.vp.gz initrd.vp  
rm -rf mnt  
cd /  
shutdown -r now
```

15. Install the yaboot boot loader to a bootstrap partition using the **ybin** command.

```
Ybin -b /dev/sda1
```

Where /dev/sda1 is the PreP partition.

16. Verify System has reboot and SDD is configured correctly

Once booted, verify that vpath devices are being used. Add all other paths and reboot again. The following commands can be used to verify the use of vpath devices:

- **mount**
- **swapon -s**
- **lsvpcfg**
- **datapath query device**

SDD upgrade procedure

Use the following procedure to upgrade SDD:

1. Place the SDD rpm update package on the system
2. Restart the system in single-path mode (no SDD)
3. You might come to a **Repair filesystem** prompt. If so, then enter the root password. At the prompt, remount the file system as read/write.

```
mount -n -o remount,rw /
```

For systems that have /boot on a separate mount point, mount /boot partition using /dev/sd device.

4. Remove the previous SDD driver.

```
rpm -e IBMsdd
```

The `/etc/vpath.conf` file will be saved to `vpath.conf.rpmsave`.

5. Install the new SDD driver.

```
rpm -ivh IBMsdd-x.x.x.x-y.ppc64.rhel4.rpm
mkdir -p /boot/mnt
cd /boot
mv initrd.vp initrd.vp.gz
gunzip initrd.vp.gz
cd /boot/mnt
cpio -iv < ../initrd.vp
cp /opt/IBMsdd/sdd-mod.ko-`uname -r` /boot/mnt/lib/
```

6. Verify that the soft link `sdd-mod.ko` in `/boot/mnt/lib` points to the current `sdd` module.

7. Copy the new **cfgvpath** command and use the **ldd** command to verify that the correct libraries are installed for `/boot/mnt/opt/IBMsdd/bin/cfgvpath`.

```
cp /opt/IBMsdd/bin/cfgvpath /boot/mnt/opt/IBMsdd/bin/
```

8. Prepare the `initrd.vp` for booting.

```
cd /boot/mnt
find . | cpio -H newc -vo > /boot/initrd.vp
cd /boot
gzip initrd.vp
mv initrd.vp.gz initrd.vp
rm -rf mnt
cd /
```

9. Install the `yaboot` boot loader to a bootstrap partition using the **ybin** command.

```
Ybin -b /dev/sda1
```

where `/dev/sda1` is the PreP partition.

10. Reboot the system.

SAN boot instructions for RHEL 4 with IBM SDD (x86) and LVM 2

Use this procedure to install RHEL 4 U1 (or later) and configure SDD with LVM. This procedure assumes that no installation is present to work from and when completed, the boot and swap devices will be running on SDD vpath devices and will be under LVM control.

Prerequisite steps

1. Ensure that the following conditions exist before continuing with this procedure:
 - The installation target **MUST** be single-pathed before installing RHEL 4.
 - A copy of RHEL 4 U1 i386 either network accessible or on CD.
 - Be familiar with the RHEL 4 installation. This includes understanding which packages will be installed.
 - Be familiar with setting up root and swap under LVM control.
 - Be familiar with how to set up a SAN network or direct-attached SAN storage devices so that the host system can access LUNs from the those storage systems (this procedure was performed on an ESS Model 800).

- Be familiar with creating LUNs on the ESS Model 800 so that the host can access the ESS Model 800 devices. Although SDD functions correctly in single path environments, it is recommended that there be redundant physical paths to the devices from the host after installation of RHEL 4.
- Optionally, have an understanding of how the Linux kernel boot process functions and what processes and procedures that are used to boot a Linux distribution for a local storage device.
- Ensure there will be network access to the system.

2. Configure HBA devices

Note: For ease of installation and to avoid issues with internal SCSI or IDE controllers, all internal disk drive controllers should be disabled. This procedure assumes that this has been done.

Verify that the SAN HBA devices that are configured for the host have been setup to have their BOOT BIOS enabled. This permits discovery and use of SAN disk devices during this procedure.

3. Configure boot/root/swap devices

The boot device that will be used for installation and booting should be at least 4 GB in size. This is the minimum size for installing a base package set from the installation media to the boot devices.

It is also recommended that the swap device be at least the size of physical memory that is configured in the host. For simplicity these instructions assume that the boot, root, and swap devices are all located on the same device; however, this is not a requirement for the installation.

The root (/) device must be under LVM control. The boot (/boot) device must NOT be under LVM control. Swap might also be under LVM control, but this is not a requirement. However, it should at least use a vpath device.

4. Installation Media

The installation media, or source for installation, can be CD-ROM, NFS, HTTP, FTP, and so on. For this installation we use an NFS exported set of CD-ROMs. Any of the installation sources listed can be used.

5. Install

- From the BIOS Menus select the installation source to boot from.
- Verify that the HBA module is loaded and that the SAN devices that will be used for installation have been detected successfully.

Note: Due to the way Linux discovers SAN devices, if SAN devices have already been configured for multiple path access, Linux will discover the same physical device multiple times, once for each logical path to the device. Note which device will be used for the installation before proceeding, that is, /dev/sda.

- Select the desired options until arriving at the Installation Settings. Here, modification of the partitioning settings is required for this installation. This is to make sure that the device noted in the previous step will be used for the root/boot installation target.

Note: The details of installation and partitioning are not written up here. Please refer to installation procedures to determine which packages are needed for the type of system being installed.

6. Rebooting

- a. On reboot, modify the BIOS to boot from hard disk. The system should now boot to the newly installed OS.

- b. Verify that the system is booted from the correct disk and that the boot/root/swap and LVM configurations are correct.
- c. At this point the installed boot device can be set as the default boot device for the system. This step is not required, but is suggested because it enables unattended reboots after this procedure is complete.

SAN boot configuration

The system should now be booted in single-path mode from the SAN. Verify this by looking at the mounted devices and where the root is mounted, using the **df** command. Also verify that the swap, using **swapon -s** and other configured partitions are correctly mounted. This completes the single-path boot from SAN. To modify the boot/root and other devices for booting using the SDD driver continue with the following steps.

Notes:

1. All values and devices in the following procedure might not be the same on the system where this procedure is being conducted. It is, however, recommended (but not required) to use vpatha as the physical device for the root volume group.
2. Perform this procedure in a single-path environment. Once completed and booting with SDD and LVM configure the SAN for multipath.
3. All commands in this procedure begin with a # sign and can be followed by the output of that command such as the command **pvdisplay**.
4. Because /boot will not be under LVM control, it might be safer to work from within /boot.
5. This procedure uses a copy of the current initrd named initrd.vp.
6. The Volume groups for root and swap on this system are as follows:

```

/dev/rootVolGroup/
/dev/rootVolGroup/rootVol
/dev/rootVolGroup/swapVol
/dev/rootVolGroup/rootVol -> /dev/mapper/rootVolGroup-rootVol
/dev/rootVolGroup/swapVol -> /dev/mapper/rootVolGroup-swapVol
Physical device is sda2
vpath device vpatha2
```

7. Before starting SDD, comment out any SCSI disk devices from /etc/fstab other than /boot. This will ensure that all devices are written to the /etc/vpath.conf file. These devices can later be changed to vpath devices if the intent is to have them multipathed. This is not absolutely required.
 8. The /etc/fstab will also need to be modified to point /boot from /dev/sd[x] or LABEL=[some_label_name_here] to /dev/vpath[x].
 9. Modify the /boot/grub/menu.lst file to add an entry for the SDD initrd.
 10. Modify /etc/lvm/lvm.conf to recognize vpath devices and ignore SCSI disk devices.
 11. It is always a good idea to make copies of files that are going to be manually modified such as /etc/fstab, /etc/vpath.conf /etc/lvm/lvm.conf and /boot/grub/menu.lst.
1. Install SDD driver IBMsdd-1.6.0.1-8.i686.rhel4.rpm
Change to the directory where the SDD rpm is located and use the rpm tool to install the IBMsdd driver and applications.

```

# rpm -ivh IBMsdd-1.6.0.1-8.i686.rhel4.rpm
```

2. Use **pvdisplay** to get the physical volume for the root and swap lvm volume group(s).

In this procedure /dev/sda2 (sda) is the device that will be used for /dev/vpatha2 (vpatha)

```
# pvdisplay
--- Physical volume ---
PV Name                /dev/sda2
VG Name                rootVolGroup
PV Size                9.09 GB / not usable 0
Allocatable           yes
PE Size (KByte)       32768
Total PE              291
Free PE               1
Allocated PE          290
PV UUID               SSm5g6-UoWj-evHE-kBj1-3QB4-EVi9-v88xiI
```

3. Modify the /etc/fstab file, ensuring that:

- a. LABEL= is not being used
- b. /boot is mounted on a vpath device

Because Red Hat writes labels to the disk and uses labels in the /etc/fstab the boot (/boot) device might be specified as a label; that is, LABEL=/boot. This can, however, be a different label other than LABEL=/boot. Check for line in the /etc/fstab where /boot is mounted and change it to the correct vpath device. Also ensure that any other device specified with the LABEL= feature is changed to a /dev/sd or /dev/vpath device. Red Hat does not recognize LABEL= in a multipathed environment.

There is a one-to-one correlation between SCSI disk and vpath minor devices, that is, sda1 and vpatha1. Major devices, however, might not correlate; that is, sdb1 could be vpathd1.

Because /boot was installed on /dev/sda1 and we have made vpatha correspond to sda in the /etc/vpath.conf file, then /dev/vpatha1 will be the mount device for /boot.

Example:

Change:

```
/dev/rootVolGroup/rootVol /      ext3 defaults 1 1
LABEL=/boot                /boot ext3 defaults 1 2
/dev/rootVolGroup/swapVol swap  swap defaults 0 0
```

To:

```
/dev/rootVolGroup/rootVol /      ext3 defaults 1 1
/dev/vpatha1                /boot ext3 defaults 1 2
/dev/rootVolGroup/swapVol swap  swap defaults 0 0
```

4. Modify the /boot/grub/menu.lst file. Add an entry for the SDD/LVM boot using initrd.vp.

```

default=1
timeout=10
splashimage=(hd0,0)/grub/splash.xpm.gz
hiddenmenu
title Red Hat Enterprise Linux AS (2.6.9-11.ELsmp) w/LVM w/SDD
    root (hd0,0)
    kernel /vmlinuz-2.6.9-11.ELsmp ro root=/dev/rootVolGroup/rootVol
    initrd /initrd.vp
title Red Hat Enterprise Linux AS (2.6.9-11.ELsmp)
    root (hd0,0)
    kernel /vmlinuz-2.6.9-11.ELsmp ro root=/dev/rootVolGroup/rootVol
    initrd /initrd-2.6.9-11.ELsmp.img
title Red Hat Enterprise Linux AS-up (2.6.9-11.EL)
    root (hd0,0)
    kernel /vmlinuz-2.6.9-11.EL ro root=/dev/rootVolGroup/rootVol
    initrd /initrd-2.6.9-11.EL.img

```

5. Modify /etc/lvm/lvm.conf.

Change:

```
filter = [ "a./.*/" ]
```

To:

```
filter = [ "a/vpath*/", "r/sd*/" ]
```

In the **types** = section, add an entry for vpath

```
types = [ "vpath", 16 ]
```

6. Start SDD.

```
# sdd start
```

/etc/vpath.conf has now been created. You should ensure that vpatha is the root device. We must get the root's physical device's LUN ID using the **cfgvpath query** command (in this procedure sda is the root device).

The **cfgvpath query** command will produce output similar to the following: Note that some data from the following output has been modified for ease of reading.

```
# cfgvpath query
/dev/sda (8, 0) host=0 ch=0 id=0 lun=0 vid=IBM pid=2105800 serial=12020870 lun_id=12020870
/dev/sdb (8, 16) host=0 ch=0 id=0 lun=1 vid=IBM pid=2105800 serial=12120870 lun_id=12120870
/dev/sdc (8, 32) host=0 ch=0 id=0 lun=2 vid=IBM pid=2105800 serial=12220870 lun_id=12220870
/dev/sdd (8, 48) host=0 ch=0 id=0 lun=3 vid=IBM pid=2105800 serial=12320870 lun_id=12320870

```

The lun_id for /dev/sda is 12020870. Edit the /etc/vpath.conf file using the lun_id for vpatha. Remove all other entries from this file (they will be automatically added later by SDD).

```
vpatha 12020870
```

7. Prepare the initrd file.

The [initrd file] refers to the current initrd in /boot. The correct initrd can be determined by the following method:


```
# ls -lA /boot | grep initrd | grep $(uname -r)

# cd /boot
# cp [initrd file] to initrd.vp.gz
# gunzip initrd.vp.gz
# mkdir /boot/mnt
```

Note: For the rest of this procedure we will be working from /boot/mnt.

8. Change directory to /boot/mnt and unarchive the initrd image to /boot/mnt.

```
# cd /boot/mnt
# cpio -iv < ../initrd.vp
```

9. Make additional directories in /boot/mnt.

```
# mkdir mnt
# mkdir -p opt/IBMsdd/bin
# chmod -R 640 opt/IBMsdd
# mkdir -p lib/tls
```

10. Copy the following /etc files to /boot/mnt/etc.

```
# cp /etc/vpath.conf /boot/mnt/etc/
# cp /etc/group /boot/mnt/etc/
# cp /etc/passwd /boot/mnt/etc/
# cp /etc/nsswitch.conf /boot/mnt/etc/
# cp /etc/fstab /boot/mnt/etc/
# cp /etc/lvm/lvm.conf /boot/mnt/etc/lvm/
```

11. Modify the /boot/mnt/etc/nsswitch.conf file (for rhel4u1i386, this might already be done).

- a. Change:

```
passwd: compat
```

To:

```
passwd: files
```

- b. Change:

```
group: compat
```

To:

```
group: files
```

12. Copy /opt/IBMsdd/bin/cfgvpath to /boot/mnt/opt/IBMsdd/bin/ and change permissions to 755.

```
# cp /opt/IBMsdd/bin/cfgvpath /boot/mnt/opt/IBMsdd/bin/
# chmod 755 /boot/mnt/opt/IBMsdd/bin/*
```

13. Copy required library files for **cfgvpath**. Use the **ldd** command to determine the library files and locations.

Example:

```
# ldd /opt/IBMsdd/bin/cfgvpath | awk '{print $(NF-1)}'
```

The **ldd** command will return the following:

```
/lib/tls/libc.so.6  
/lib/ld-linux.so.2
```

These files must be copied to the `/boot/mnt/lib/tls/` and `/boot/mnt/lib/` directories respectively.

14. Copy the correct `sdd-mod` to the `initrd` file system. Use the **uname -r** command to determine the correct `sdd-mod`. **uname -r** returns `2.6.9-11.ELsmp`

```
# cp /opt/IBMsdd/sdd-mod.ko-2.6.9-11.ELsmp /boot/mnt/lib/sdd-mod.ko
```

15. Copy the following binaries and change permissions to 755:

```
# cp /bin/mknod /boot/mnt/bin/  
# cp /bin/mount /boot/mnt/bin/  
# cp /bin/umount /boot/mnt/bin/  
# cp /bin/cp /boot/mnt/bin/  
# chmod 755 /boot/mnt/bin/*
```

16. Copy required library files for each binary. Use the **ldd** command to determine the library files and locations.

Note: Many binaries use the same libraries so there might be duplications during copying.

Example:

```
# ldd /bin/mknod | awk '{print $(NF-1)}'  
  
/lib/libselinux.so.1  
/lib/tls/libc.so.6  
/lib/ld-linux.so.2
```

The above files must be copied to the `/boot/mnt/lib/tls/` and `/boot/mnt/lib/` directories respectively.

Also, copy the following library files to `/boot/mnt/lib/`.

```
# cp /lib/libproc-3.2.3.so /boot/mnt/lib/  
# cp /lib/libtermcap.so.2 /boot/mnt/lib/  
# cp /lib/libnss_files.so.2 /boot/mnt/lib
```

17. Modify the `/boot/mnt/init` file. Add the following lines just before the statement:

```
[ echo "Loading dm-mod.ko module" ]
```

```
echo "Loading SDD module"  
insmod /lib/sdd-mod.ko  
echo "Creating vpath devices"  
/opt/IBMsdd/bin/cfgvpath makenodes
```

Ensure that an updated copy of `vpath.conf` is copied to the `/root` filesystem by using the following syntax to mount the root file system.

```
/bin/mount -o rw -t [fstype] [device] /mnt
```

Add the following lines just after `[insmod /lib/dm-snapshot.ko]`. The values used for the `[fstype]` and `[device]` here are only examples. Use the correct values for the system that is being configured.

```
/bin/mount -o rw -t ext3 /dev/rootVolGroup/rootVol /mnt
/bin/cp /etc/vpath.conf /mnt/etc/
/bin/umount /mnt
```

18. Use **cpio** to archive the `/boot/mnt` directory and **gzip** to compress it in preparation for rebooting.

```
# find . | cpio -H newc -vo > ../initrd.vp
# cd /boot
# gzip initrd.vp
# mv initrd.vp.gz initrd.vp
# cd /
# shutdown -r now
```

19. Once booted, verify that vpath devices are being used. Add all other paths and reboot again. The following commands can be used to verify the use of vpath devices.

```
# mount
# swapon -s
# pvdisplay
# lsvpcfg
# datapath query device
```

Using lilo with SDD (remote boot) on x86

Use this section to boot SDD using the lilo boot loader in a remote/SAN boot environment.

This section only applies to booting using **lilo** and SDD vpath on x86-based systems. PowerPC-based systems use a combination of **lilo** and **yaboot**, whereas on x86-based systems, you rely solely on either **grub** or **lilo** as the boot loader.

When the **lilo** command executes, **lilo** reads the configuration file `/etc/lilo.conf` and attempts to read the disk geometry of the boot device in order to write its data to the master boot record. The method it uses for reading the disk geometry is dependent on a hardcoded list of major numbers that only supports certain types of devices. SDD vpath is not one of these supported devices. Therefore, when you are remote-booting and the MBR is contained on the vpath device, **lilo** is not able to complete. When running the command **lilo** to update the MBR, you will get this error message:

Fatal: Sorry, don't know how to handle device `0xMMmm`, where **MM** is the major number and **mm** is the minor number of the device in question (in hex).

To prevent **lilo** from checking the major numbers, you can manually specify the geometry of the disk in the file `/etc/lilo.conf`.

Manually specifying disk geometry of the boot device

The syntax for manually specifying the disk geometry is:

```
disk = <disk-name>
  bios = 0x80
  sectors = <# of sectors/track>
  heads = <# of heads>
  cylinders = <# of cylinders>
  partition = <first vpath partition>
    start = <sector start # of first partition>
  partition = <second vpath partition>
    start = <sector start # of second partition>
  ...
  partition = <last vpath partition>
    start = <sector start # of last partition>
```

The following example is from a RHEL3 U4 system running on vpath devices:

```
disk = /dev/vpatha
  bios = 0x80
  sectors = 63
  heads = 255
  cylinders = 5221
  partition = /dev/vpatha1
    start = 63
  partition = /dev/vpatha2
    start = 1028160
  partition = /dev/vpatha3
    start = 79794855
```

Use the following procedure to find the information from your system in order to manually specify the disk geometry:

1. Use the **sfdisk** utility to find the cylinders, heads, and blocks. Use the **-l** option to list the current partition table and geometry numbers. For example,

```
[root@server ~]# sfdisk -l /dev/vpatha

Disk /dev/vpatha: 5221 cylinders, 255 heads, 63 sectors/track
Units = cylinders of 8225280 bytes, blocks of 1024 bytes, counting from 0

   Device Boot Start      End  #cyls   #blocks  Id System
/dev/vpatha1 *          0+         63      64-    514048+  83 Linux
/dev/vpatha2             64      4966    4903   39383347+  83 Linux
/dev/vpatha3          4967     5220     254   2040255    82 Linux swap
/dev/vpatha4             0         -         0         0     0 Empty
```

Note the cylinders, heads, and sectors per track and use this information to fill in the appropriate `lilo.conf` entries.

2. A separate program, **hdparm**, can be used to get the starting sector numbers for each partition.

However, **hdparm** only works on scsi disk or ide disk devices (`/dev/sdXX` or `/dev/hdXX`) and does not work on vpath devices. You can use one of the underlying paths corresponding to your boot disk to check the values. For example, if your **lsvpcfg** output looks like this:

```
000 vpatha ( 254, 0) 75022811540 = 6005076303ffc06a0000000000001540 = /dev/sda /dev/sdb /dev/sdc /dev/sdd
```

, you know that your root disk is vpatha, and that there are 4 underlying scsi disk devices, or paths, corresponding to that vpath device.

3. Choose one vpath, for example, `/dev/sda`, and then execute the following command:

```
[root@server ~]# hdparm -g /dev/sda
```

The following output is displayed:

```
/dev/sda:  
geometry      = 5221/255/63, sectors = 83886080, start = 0
```

4. Compare this output to the **fdisk -l** output.
5. Execute **hdparm -g** against every partition. For example:

```
[root@server ~]# hdparm -g /dev/sda  
  
/dev/sda:  
geometry      = 5221/255/63, sectors = 83886080, start = 0  
[root@server ~]# hdparm -g /dev/sda1  
  
/dev/sda1:  
geometry      = 5221/255/63, sectors = 1028097, start = 63  
[root@server ~]# hdparm -g /dev/sda2  
  
/dev/sda2:  
geometry      = 5221/255/63, sectors = 78766695, start = 1028160  
[root@server ~]# hdparm -g /dev/sda3  
  
/dev/sda3:  
geometry      = 5221/255/63, sectors = 4080510, start = 79794855
```

6. Use the values after the "start =" sections above as the starting sector numbers for the `/etc/lilo.conf` parameters. These values correspond to the starting sector numbers in the example snippet from `lilo.conf` shown in the example 260.
7. Insert the disk parameters and all the supporting information.
8. Rerun **lilo**.

The command should now succeed because it does not have to probe the geometry of the `vpath` device, but instead uses the entries in `lilo.conf`.

Here is an example of a `lilo.conf` file configured for remote boot:

```
boot=/dev/vpatha  
map=/boot/map  
install=/boot/boot.b  
disk = /dev/vpatha  
  bios = 0x80  
  sectors = 63  
  heads = 255  
  cylinders = 5221  
  partition = /dev/vpatha1  
    start = 63  
  partition = /dev/vpatha2  
    start = 1028160  
  partition = /dev/vpatha3  
    start = 79794855  
prompt  
timeout=50  
message=/boot/message  
default=linux  
  
image=/boot/vmlinuz-2.4.21-27.ELsmp  
  label=linux  
  initrd=/boot/initrd-2.4.21-27.ELsmp.img.test  
  read-only  
  root=/dev/vpatha2
```

SDD server daemon

The SDD server (also referred to as `sddsrv`) is an integrated component of SDD. This component consists of a UNIX application daemon that is installed in addition to the SDD device driver. See Chapter 12, “Using the SDD server and the SDDPCM server,” on page 367 for more information about `sddsrv`.

Verifying if the SDD server has started

After you have installed SDD, verify if the SDD server (`sddsrv`) has automatically started by entering **`ps wax | grep sddsrv`**.

If the SDD server (`sddsrv`) has automatically started, the output from the **`ps`** command looks like this:

```
31616 ? S 0:00 /opt/IBMsdd/bin/sddsrv
31617 ? S 0:00 /opt/IBMsdd/bin/sddsrv
31618 ? S 0:00 /opt/IBMsdd/bin/sddsrv
31619 ? S 0:10 /opt/IBMsdd/bin/sddsrv
31620 ? S 0:00 /opt/IBMsdd/bin/sddsrv
31621 ? S 0:00 /opt/IBMsdd/bin/sddsrv
31622 ? S 0:00 /opt/IBMsdd/bin/sddsrv
```

If processes are listed, then the SDD server has automatically started.

If the SDD server has not started, no processes will be listed and you should see “Starting the SDD server manually” for instructions to start `sddsrv`.

Starting the SDD server manually

If the SDD server did not start automatically after you performed the SDD installation, use the following process to start `sddsrv`:

1. Edit `/etc/inittab` and append the following text:

```
#IBMsdd path recovery daemon:
srv:345:respawn:/opt/IBMsdd/bin/sddsrv > /dev/null 2>&1
```

2. Save the file `/etc/inittab`.
3. Enter the **`telinit q`** command.
4. Follow the directions in “Verifying if the SDD server has started” to confirm that the SDD server started successfully.

Changing to a different port number for the SDD server

See “Changing the `sddsrv` or `pcmsrv` TCP/IP port number” on page 369.

Stopping the SDD server

To stop the SDD server:

1. Edit `/etc/inittab` and comment out the SDD server entry:

```
#IBMsdd path recovery daemon:
#srv:345:respawn:/opt/IBMsdd/bin/sddsrv > /dev/null 2>&1
```

2. Save the file.
3. Execute **`telinit q`**.

See “Verifying if the SDD server has started” on page 262 to verify that the SDD server is not running. If `sddsrv` is not running, no processes will be listed when you enter `ps wax | grep sddsrv`.

Collecting trace information

SDD tracing can be enabled using the SDD server Web page. Enabling tracing puts the trace information into memory. To extract that information, execute `killall -IO sddsrv`. This command causes `sddsrv` to copy the trace data out of memory to the file `/var/log/sdd.log` on reception of this signal.

Understanding SDD support for single-path configuration

SDD does not support concurrent download of licensed machine code in single-path mode.

However, SDD supports *single-path* SCSI or fibre-channel connection from your Linux host system to a disk storage system and *single-path* fibre-channel connection from your Linux host system to a SAN Volume Controller.

Notes:

1. SDD supports one fibre-channel adapter on the host system. SDD does not support SCSI adapters.
2. If your host has only one fibre-channel adapter port, it requires you to connect through a switch to multiple ports. You should have at least two fibre-channel adapters to prevent data loss due to adapter hardware failure or software failure for multipath support.
3. Because of single-path connection, SDD can not provide single-point-failure protection and load balancing. IBM does not recommend this.

Partitioning SDD vpath devices

Disk partitions are known as *logical devices*. Disk partitions cannot be configured as SDD vpath devices; only entire SCSI disks can be configured. Once configured, an SDD vpath device can be partitioned into logical devices. The SDD naming scheme for disks and disk partitions follows the standard Linux disk-naming convention. The following description illustrates the naming scheme for SCSI disks and disk partitions:

1. The first two letters indicate the SCSI device.
2. The next letter (or two letters), a-z, specifies the unique device name.
3. A number following the device name denotes the partition number. For example, `/dev/sda` is the whole device, while `/dev/sda1` is a logical device representing the first partition of the whole device `/dev/sda`. Each device and partition has its own major and minor number.

Similarly then, a specific device file `/dev/vpathX` is created for each supported multipath SCSI disk device (where `X` represents the unique device name; as with SCSI disk devices, `X` might be one or two letters).

Device files `/dev/vpathXY` are also created for each partition of the multipath device (where `Y` represents the corresponding partition number). When a file system or user application wants to use the logical device, it should refer to `/dev/vpathXY` (for example, `/dev/vpatha1` or `/dev/vpathbc7`) as its multipath logical device. All I/O management, statistics, and failover processes of the logical device follow those of the whole device.

The following output demonstrates how the partitions are named:

```
brw-r--r-- 1 root    root    247,  0 Apr 2 16:57 /dev/vpatha
brw-r--r-- 1 root    root    247,  1 Apr 2 16:57 /dev/vpatha1
brw-r--r-- 1 root    root    247, 10 Apr 2 16:57 /dev/vpatha10
brw-r--r-- 1 root    root    247, 11 Apr 2 16:57 /dev/vpatha11
brw-r--r-- 1 root    root    247, 12 Apr 2 16:57 /dev/vpatha12
brw-r--r-- 1 root    root    247, 13 Apr 2 16:57 /dev/vpatha13
brw-r--r-- 1 root    root    247, 14 Apr 2 16:57 /dev/vpatha14
brw-r--r-- 1 root    root    247, 15 Apr 2 16:57 /dev/vpatha15
brw-r--r-- 1 root    root    247,  2 Apr 2 16:57 /dev/vpatha2
brw-r--r-- 1 root    root    247,  3 Apr 2 16:57 /dev/vpatha3
brw-r--r-- 1 root    root    247,  4 Apr 2 16:57 /dev/vpatha4
brw-r--r-- 1 root    root    247,  5 Apr 2 16:57 /dev/vpatha5
brw-r--r-- 1 root    root    247,  6 Apr 2 16:57 /dev/vpatha6
brw-r--r-- 1 root    root    247,  7 Apr 2 16:57 /dev/vpatha7
brw-r--r-- 1 root    root    247,  8 Apr 2 16:57 /dev/vpatha8
brw-r--r-- 1 root    root    247,  9 Apr 2 16:57 /dev/vpatha9
```

Note: For supported file systems, use the standard UNIX **fdisk** command to partition SDD vpath devices.

Using standard UNIX applications

After successful installation, SDD resides above the SCSI subsystem in the block I/O stack of the Linux host system. In other words, SDD recognizes and communicates with the native device driver of your Linux host system and standard UNIX applications, such as **fdisk**, **fsck**, **mkfs**, and **mount** accept an SDD device name as a parameter. Therefore, SDD vpath device names can replace corresponding SCSI disk device name entries in system configurations files, such as `/etc/fstab`.

Make sure that the SDD devices match the devices that are being replaced. You can issue the **lsvpcfg** command to list all SDD devices and their underlying disks.

Procedures to handle common issues

The following list includes known general issues.

- Understanding SDD error recovery policy during total path failure
To avoid potential data corruption, if a write I/O fails on all paths of an SDD vpath device, all the paths are put into DEAD state and OFFLINE mode. The only way to make paths available again is through manual intervention. That is, you have to unmount the SDD vpath device and, if necessary, should run **fsck** to check and repair the filesystem if necessary.
- A DEAD path is not reclaimed by sddsrvc because it was offlined by the kernel.
Sometimes, such as when a failure occurs or when there is a lot of I/O, the kernel's SCSI layer will offline a path. This behavior is done independently of SDD. Therefore, sddsrvc cannot reclaim a path that has been taken offline by the SCSI layer. Typically the system messages log contain messages indicating that this has happened.

For example:

On Linux 2.4 kernels:

```
kernel: scsi: device set offline - not ready or
command retry failed after bus reset: host 2 channel 0 id 1 lun 0
```

On Linux 2.6 kernels:


```
kernel: scsi: Device offlined - not ready after error recovery: host 2 channel 0 id 1 lun 0
```

or,

```
scsi1 (1:1): rejecting I/O to offline device
```

For 2.4 kernels, the only way to restore devices that have been taken offline by the SCSI layer is to reload the HBA driver.

For 2.6 kernels, you can use the sysfs interface to dynamically re-enable SCSI devices that have been taken offline by the SCSI layer.

- Setting SCSI midlayer timeout values to address loaded storage targets

Some storage devices require a longer time period to retire an I/O command issued by an initiator under heavy load. By default, the SCSI midlayer allots only 30 seconds per SCSI command before cancelling the I/O command to the initiator. We suggest setting the timeout value to 60 seconds.

Should you see SCSI errors of value 0x6000000, LUN reset messages or abort I/O messages, a new timeout setting might help alleviate that situation. It might also be necessary to stop all I/O and allow the target to retire all outstanding I/O before starting I/O again with the new timeout.

For Linux 2.6 kernels, you can manually set the timeout value through the sysfs interface. Execute the following command: **echo 60 > /sys/class/scsi_device/<host>:<channel>:<target>:<lun>/timeout**

where, Replace the items in <> with the following (you can match with the values in /proc/scsi/scsi):

- *host* - host number
- *channel* - channel number
- *target* - target number
- *lun* - lun number

To simplify this process for multiple paths, Emulex has provided the script **set_timeout_target.sh** at the Emulex Web site under the Linux tools page. Because this script deals with SCSI disk devices, it can work equally well in environments that use Qlogic host bus adapters. Details on how to use the tool are available on the Emulex Web site.

- Changing default queue depth values to avoid overloaded storage targets

You should lower the queue depth per LUN when using multipathing. With multipathing, this default value is magnified because it equals the default queue depth of the adapter multiplied by the number of active paths to the storage device. For example, given that Qlogic uses a default queue depth of 32, the recommended queue depth value to use would be 16 when using two active paths and 8 when using four active paths. Directions for adjusting the queue depth is specific to each HBA driver and should be available in the documentation for the HBA.

Chapter 6. Using SDD on a NetWare host system

Attention:

SDD does not support Novell NetWare host systems attached to SAN Volume Controller.

This chapter provides step-by-step procedures on how to install, configure, upgrade, and remove SDD on a NetWare host system (NetWare 5.1, NetWare 6.0, or NetWare 6.5) that is attached to a disk storage system. The SDD for NetWare is shipped as a Novell Custom Device Module (CDM), which is a driver component that is associated with storage devices and the commands that control the storage device. For updated and additional information not included in this chapter, see the Readme file on the CD-ROM or visit the SDD Web site at:

www.ibm.com/servers/storage/support/software/sdd

Verifying the hardware and software requirements

You must have the following hardware and software components in order to successfully install SDD.

You can check for and download the latest APARs, maintenance level fixes, and microcode updates from the following Web site:

www.ibm.com/servers/storage/support/

Hardware requirements

The following hardware components are needed:

- IBM TotalStorage SAN Fibre Channel Switch 2109 is recommended
- Host system
- Fibre-channel switch
- SCSI adapters and cables (ESS)
- Fibre-channel adapters and cables

Software requirements

The following software components are needed:

- Microsoft Windows operating system running on the client
- One of the following NetWare operating systems running on the server:
 - Novell NetWare 5.1 with Support Pack
 - Novell NetWare 6 with Support Pack
 - NetWare 6.5 with Support Pack
- NetWare Cluster Service for NetWare 5.1 if servers are being clustered
- NetWare Cluster Service for NetWare 6.0 if servers are being clustered
- NetWare Cluster Service for NetWare 6.5 if servers are being clustered
- ConsoleOne

- SCSI and fibre-channel device drivers

Supported environments

SDD supports:

- Novell NetWare 5.1 SP6
- Novell NetWare 6 SP1, SP2, SP3, SP4, or SP5
- Novell NetWare 6.5 SP1.1 or SP2
- Novell Cluster Services 1.01 for Novell NetWare 5.1 is supported on fibre-channel and SCSI devices.
- Novell Cluster Services 1.6 for Novell NetWare 6.0 is supported only for fibre-channel devices.
- Novell Cluster Services 1.7 for Novell NetWare 6.5 is supported only for fibre-channel devices.

Currently only the following QLogic fibre-channel adapters are supported with SDD:

- QL2310FL
- QL2200F
- QLA2340 and QLA2340/2

Unsupported environments

SDD does not support:

- A host system with both a SCSI and fibre-channel connection to a shared disk storage system LUN
- Single-path mode during concurrent download of licensed machine code nor during any disk storage system concurrent maintenance that impacts the path attachment, such as a disk storage system host-bay-adapter replacement
- DS8000 and DS6000 do not support SCSI connectivity.

Disk storage system requirements

To successfully install SDD:

Ensure that the disk storage system devices are configured as either an:

- For ESS:
 - IBM 2105xxx (SCSI-attached device)
where xxx represents the disk storage system model number.
 - IBM FC 2105 (fibre-channel-attached device)
- For DS8000, IBM FC 2107
- For DS6000, IBM FC 1750

SCSI requirements

To use the SDD SCSI support, ensure that your host system meets the following requirements:

- A SCSI cable connects each SCSI host adapter to an ESS port.
- If you need the SDD I/O load-balancing and failover features, ensure that a minimum of two SCSI adapters are installed.

For information about the SCSI adapters that can attach to your NetWare host system, go to the following Web site:

www.ibm.com/servers/storage/support/software/sdd

Fibre-channel requirements

You must check for and download the latest fibre-channel device driver APARs, maintenance level fixes, and microcode updates from the following Web site:

www.ibm.com/servers/storage/support/

Note: If your host has only one fibre-channel adapter, you need to connect through a switch to multiple disk storage system ports. You should have at least two fibre-channel adapters to prevent data loss due to adapter hardware failure or software failure.

To use the SDD fibre-channel support, ensure that your host system meets the following requirements:

- The NetWare host system has the fibre-channel device drivers installed.
- A fiber-optic cable connects each fibre-channel adapter to a disk storage system port.
- If you need the SDD I/O load-balancing and failover features, ensure that a minimum of two paths to a device are attached.

For information about the fibre-channel adapters that can be used on your NetWare host system go to the following Web site:

www.ibm.com/servers/storage/support/software/sdd

Preparing for SDD installation

Before you install SDD, you must configure the disk storage system for your host system and attach required fibre-channel adapters.

Configuring the disk storage system

Before you install SDD, you must configure:

- The disk storage system to your host system and the required fibre-channel that are attached.
- The ESS to your host system and the required SCSI adapters that are attached.
- The disk storage system for single-port or multiple-port access for each LUN.
SDD requires a minimum of two independent paths that share the same logical unit to use the load-balancing and path-failover-protection features. **With a single path, failover protection is not provided.**

Refer to the Installation and Planning Guide for your disk storage system for more information about how to configure the disk storage system.

Refer to the Host Systems Attachment Guide for your disk storage system for information on working around Novell LUN limitations.

Configuring fibre-channel adapters

You must configure the fibre-channel adapters and the adapters' drivers that are attached to your NetWare host system before you install SDD. Follow the adapter-specific configuration instructions to configure the adapters.

For QLogic adapters, you need to add /LUNS, /ALLPATHS, /PORTNAMES while loading FC HBA device driver. For example:

```
LOAD QL2200.HAM SLOT=x /LUNS /ALLPATHS /PORTNAMES /GNNFT
LOAD QL2200.HAM SLOT=y /LUNS /ALLPATHS /PORTNAMES /GNNFT
```

Modify the startup.ncf file by adding SET MULTI-PATH SUPPORT=OFF at the top.

Then, modify the autoexec.ncf by adding SCAN ALL LUNS before MOUNT ALL:

```
...
...
SCAN ALL LUNS
MOUNT ALL
...
...
```

Ensure that you can see all the LUNs before installing SDD. Use the **list storage adapters** command to verify that all the LUNs are available.

Refer to the *IBM TotalStorage Enterprise Storage Server: Host Systems Attachment Guide* for more information about how to install and configure fibre-channel adapters for your NetWare host system.

Refer to the *IBM TotalStorage Enterprise Storage Server: Host Systems Attachment Guide* for working around NetWare LUN limitations.

Configuring SCSI adapters

Before you install and use SDD, you must configure your SCSI adapters.

For Adaptec AHA2944 adapters, add LUN_ENABLE=FFFF in startup.ncf:

```
LOAD AHA2940.HAM slot=x LUN_ENABLE=FFFF
LOAD AHA2940.HAM slot=y LUN_ENABLE=FFFF
```

Refer to the *IBM TotalStorage Enterprise Storage Server: Host Systems Attachment Guide* for more information about how to install and configure fibre-channel adapters for your NetWare host system.

Refer to the *IBM TotalStorage Enterprise Storage Server: Host Systems Attachment Guide* for information about working around NetWare LUN limitations.

Using a NetWare Compaq Server

When SDD is installed on a Compaq server running Novell NetWare, SDD may not failover as designed. Volume dismounts, hangs, or abnormal ends can result. Compaq servers running Novell NetWare can be configured to load the Compaq-specific CPQSHD.CDM driver. This driver has different behavior than the standard Novell SCSIHD.CDM driver. The CPQSHD.CDM driver will often do a re-scan after a path is lost. This re-scan can potentially cause volumes to be dismounted, and hangs or abnormal ends can result.

To ensure that SDD failover functions as designed and to prevent potential volume dismounts, hangs, or abnormal ends, do not load the CPQSHD.CDM file at startup. Remove the reference to this file from the STARTUP.NCF file or by comment out the line which loads CPQSHD.CDM. The standard Novell SCSIHD.CDM driver must be loaded in the place of the Compaq CPQSHD.CDM file startup. For example, the STARTUP.NCF file should look similar to the following example in order for SDD to failover as designed on a Novell NetWare Compaq server:

```
SET MULTI-PATH SUPPORT = OFF
...
#LOAD CPQSHD.CDM
...
LOAD SCSIHD.CDM
...
LOAD QL2300.HAM SLOT=6 /LUNS /ALLPATHS /PORTNAMES /GNNFT
LOAD QL2300.HAM SLOT=5 /LUNS /ALLPATHS /PORTNAMES /GNNFT
```

Using SCSIHD.CDM rather than CPQSHD.CDM will not cause any problems when running SDD on a Novell NetWare Compaq server.

Installing SDD

The installation CD contains the following files:

- INSTALL.NLM, main body of the installer that contains the startup program
- SDD.CDM, a device driver
- DATAPATH.NLM, datapath command
- COPY.INS, the file copy destination
- STARTUP.INS, the STARTUP update
- INFO.INS, contains messages displayed at installation
- AUTOEXEC.INS, unused

To install the SDD:

1. Insert the SDD installation media into the CD-ROM drive.
2. Enter **load XXX :\path \install**, where XXX is the name of the CD volume mounted, in the NetWare console window to invoke INSTALL.NLM. This file starts the installation, copies SDD.CDM to a target directory, and updates the startup file.

Maximum number of LUNs

SDD supports a total of less than 600 devices. The total devices supported equals the number of LUNs multiplied by the number of paths per LUN.

Configuring SDD

To load the SDD module, enter **load SDD**.

To unload the SDD module, enter **unload SDD**.

Displaying the current version of the SDD

Enter **modules SDD** to display the current version of the SDD.

Features

SDD provides the following functions:

- Automatic path detection, failover and selection
- Manual operations (datapath command)
- Path selection algorithms
- Dynamic load balancing
- Disk storage system logical unit detection
- Error reporting and logging

- SDD in NetWare-layered architecture

Automatic path detection, failover and selection

The SDD failover-protection system is designed to minimize any disruptions in I/O operations from a failing datapath. When a path failure is detected, the SDD moves the I/O access to another available path in order to keep the data flow. The SDD has the following path states:

- OPEN state
- CLOSE (Error) state
- DEAD state
- INVALID (PERMANENTLY DEAD) state

The OPEN state indicates that a path is available. This is the initial path state after the system starts. When a path failure occurs in the OPEN state, the path is put into the CLOSE (Error) state. If the SDD recovers the path, the path is put back into the OPEN state. While path recovery is in progress, the path is temporarily changed to the OPEN state.

If a path failure occurs three consecutive times in the CLOSE (Error) state, the path is put into the DEAD state in multipath mode. In the single-path mode, it stays in the CLOSE state. However, if the path is recovered, it is put back into the OPEN state. While path reclamation is in progress, the path is temporarily changed to OPEN state. The path is put into the INVALID state and is placed offline if path reclamation fails.

Only a datapath command, **datapath set adapter <n> online** or **datapath set device <n> path <m> online**, can return the path to the OPEN state.

In the event that all the paths fail, all the paths except one are moved into the DEAD state. The one path will still be in OPEN state. This indicates that further access to LUNs is still accepted. At each access, all paths are attempted until at least one of them is recovered. The error count is incremented only for the path in the OPEN state while all other paths are failed.

Manual operations using the datapath commands

The **datapath** commands allow manual path selection using a command line interface. See Chapter 13, "Using the datapath commands," on page 371 for detailed information about the commands.

SDD in the Novell NetWare environment supports the **datapath set device policy** command, which has the following options:

- **rr**, where *rr* indicates round robin
- **lb**, where *lb* indicates load balancing
- **df**, where *df* indicates the default policy, which is round robin
- **fo**, where *fo* indicates failover policy

Note: The **rr**, **lb**, and **df** options currently have the same effect.

The path-selection policy algorithms are:

round robin (rr)

The path to use for each I/O operation is chosen at random from paths that were not used for the last I/O operation. If a device has only two paths, SDD alternates between the two.

load balancing (lb)

The path to use for an I/O operation is chosen by estimating the load on the adapter to which each path is attached. The load is a function of the number of I/O operations currently in process. If multiple paths have the same load, a path is chosen at random from those paths.

default

This is the round-robin-path operation and is the default value.

failover only (fo)

All I/O operations for the device are sent to the same (preferred) path until the path fails because of I/O errors. Then an alternate path is chosen for subsequent I/O operations.

The **datapath open device path** command, which is supported on other platforms, is not supported in NetWare because it is not possible to open a device that failed to configure in NetWare.

NetWare does support the **scan** command, which scans the devices connected to the server. In case a device is detected, a message is sent to the SDD, and the SDD updates the path configuration based on the message. Therefore, you should issue the **scan all** command manually instead of the **addpath** command used on other platforms. You can also use the **scan all** command to put a new path under SDD control. **scan all** refreshes the device table and sends a message to the SDD in case a new device is found. SDD checks to see if the new device is a LUN under the disk storage system and, if so, adds it to the path group.

See Chapter 13, "Using the datapath commands," on page 371

for more information about the **datapath** commands.

Understanding SDD error recovery algorithms

SDD assumes the following two operation modes:

- Single-path mode
- Multiple-path mode

Single-path mode

In single-path mode, only a single path is available in access to a device in a subsystem. The SDD never puts this path into the DEAD state.

Multiple-path mode

In this mode, two or more paths are available in access to a device in a subsystem. SDD has the following behavior concerning path operations:

- After a path failure occurs on a path, SDD attempts to use the path again after 2 000 successful I/O operations through another operational path or paths. This process is called *Path Recovery*.
- If the consecutive error count on the path reaches three, SDD puts the path into the DEAD state.
- SDD reverts the failed path from the DEAD state to the OPEN state after 50 000 successful I/O operations through an operational path or paths. This process is called *Path Reclamation*.

- If an access fails through the path that has been returned to the OPEN state, SDD puts the path into the INVALID (PERMANENTLY DEAD) state and then never attempts the path again. Only a manual operation using a **datapath** command can reset a path from the PERMANENTLY DEAD state to the OPEN state.
- All knowledge of prior path failures is reset when a path returns to the OPEN state.
- SDD never puts the last operational path into the DEAD state. If the last operational path fails, SDD attempts a previously-failed path or paths even though that path (or paths) is in PERMANENTLY DEAD state.
- If all the available paths failed, SDD reports an I/O error to the application.
- If the path is recovered as either a path recovery operation or a path reclamation operation, the path is then handled as a normal path in the OPEN state and the SDD stops keeping a history of the failed path.

Note: You can display the error count with the **datapath** command.

Dynamic load balancing

SDD distributes the I/O accesses over multiple active paths, eliminating data path bottlenecks.

Disk storage system logical unit detection

SDD works only with disk storage system logical units. SDD assumes that all logical units have 2105 as their first four characters in the Product ID in Inquiry Data. The Product ID indicates that it is a logical unit. The SDD also assumes that all logical units return unique serial numbers regardless of a port on the disk storage system.

Error reporting and logging

All error reports generated by SDD are logged in a NetWare standard log file, SYS:\SYSTEM\SYS\$LOG.ERR. Any path state transition is logged in the log file. The log has the following information:

- Event source name
- Time stamp
- Severity
- Event number
- Event description
- SCSI sense data (in case it is valid)

Note: A failure in Path Recovery or Path Reclamation is not logged, while a successful path recovery in Path Recovery or Path Reclamation is logged.

SDD in NetWare-layered architecture

All path-management features are implemented in an SDD-unique Custom Device Module (CDM), which is called SDD.CDM. It supports LUNs under disk storage systems only. Any other LUNs are supported by a NetWare standard CDM, SCSIHD.CDM. The SDD.CDM has all functions that the standard CDM has in addition to the disk storage system-specific path management features. The SDD.CDM assumes that it will be working with a standard Host Adapter Module (HAM).

NetWare has assigned the SDD CDM module ID 0x7B0.

Display a single device for a multipath device

With SDD version 1.00i, the system will display a single device for a multipath device. However, **datapath query device** will show all the paths for each device. For example, with older versions of SDD, on a system with two LUNs with each having two paths, the following output would be displayed for the **list storage adapters** command:

```
V597-A3] QL2300 PCI FC-AL Host Adapter Module
```

```
[V597-A3-D0:0] IBM 2105800 rev:.324
```

```
[V597-A3-D0:1] IBM 2105800 rev:.324
```

```
[V597-A4] QL2300 PCI FC-AL Host Adapter Module
```

```
[V597-A4-D0:0] IBM 2105800 rev:.324
```

```
[V597-A4-D0:1] IBM 2105800 rev:.324
```

Starting with SDD version 1.00i, the **list storage adapters** displays:

```
[V597-A3] QL2300 PCI FC-AL Host Adapter Module
```

```
[V597-A3-D0:0] IBM 2105800 rev:.324
```

```
[V597-A3-D0:1] IBM 2105800 rev:.324
```

```
[V597-A4] QL2300 PCI FC-AL Host Adapter Module
```

The **datapath query device** output will be same in both the cases.

Removing SDD

To remove SDD:

1. Manually remove files from the C:\NWSERVER directory.
2. Remove SDD-related entries in startup.ncf.

Cluster setup for Novell NetWare 5.1

To set up clustering in Novell NetWare 5.1, follow the steps described in the Novell Cluster Services document available online at: www.novell.com/documentation/lg/ncs/index.html

Cluster setup for Novell NetWare 6.0

To set up clustering in Novell NetWare 6.0, follow the steps described in the Novell Cluster Services document available online at: www.novell.com/documentation/lg/ncs6p/index.html

Examples of commands output on the Console Window

The following examples show the basic commands output during path failover and failback. The examples are from NetWare 6.0 SP2.

```
END:modules sdd
SDD.CDM
Loaded from [C:\NWSERVER\]
(Address Space = 0S)
IBM Enterprise Storage Server SDD CDM
Version 1.00.07 July 17, 2003
(C) Copyright IBM Corp. 2002 Licensed Materials - Property of IBM
END:datapath query device
```

```

Total Devices : 2
DEV#: 3A DEVICE NAME: 0x003A:[V596-A4-D1:0]
TYPE: 2105E20 SERIAL: 30812028 POLICY: Round Robin

Path# Device State Mode Select Errors
0 0x003A:[V596-A4-D1:0] OPEN NORMAL 14 0
1 0x007A:[V596-A3-D1:0] OPEN NORMAL 14 0
2 0x001A:[V596-A4-D0:0] OPEN NORMAL 14 0
3 0x005A:[V596-A3-D0:0] OPEN NORMAL 14 0
DEV#: 3B DEVICE NAME: 0x003B:[V596-A4-D1:1]
TYPE: 2105E20 SERIAL: 01312028 POLICY: Round Robin

Path# Device State Mode Select Errors
0 0x003B:[V596-A4-D1:1] OPEN NORMAL 1 0
1 0x007B:[V596-A3-D1:1] OPEN NORMAL 1 0
2 0x001B:[V596-A4-D0:1] OPEN NORMAL 1 0
3 0x005B:[V596-A3-D0:1] OPEN NORMAL 0 0
END:datapath query adapter
Active Adapters :2
Adpt# Adapter Name State Mode Select Errors Paths Active
0 [V596-A4] NORMAL ACTIVE 30 0 4 4
1 [V596-A3] NORMAL ACTIVE 30 0 4 4
(creating volume tempvol on DEV#3A through ConsoleOne, mount tempvol)
END:mount tempvol
Activating volume "TEMPVOL"
** Volume layout v35.00
** Volume creation layout v35.00
** Processing volume purge log
** .
Volume TEMPVOL set to the ACTIVATE state.
Mounting Volume TEMPVOL
** TEMPVOL mounted successfully
END:volumes
Mounted Volumes Name Spaces Flags
SYS DOS, LONG Cp Sa
 ADMIN DOS, MAC, NFS, LONG NSS P
TEMPVOL DOS, MAC, NFS, LONG NSS
3 volumes mounted
(start IO)
END:datapath query device

Total Devices : 2
DEV#: 3A DEVICE NAME: 0x003A:[V596-A4-D1:0]
TYPE: 2105E20 SERIAL: 30812028 POLICY: Round Robin

Path# Device State Mode Select Errors
0 0x003A:[V596-A4-D1:0] OPEN NORMAL 224 0
1 0x007A:[V596-A3-D1:0] OPEN NORMAL 224 0
2 0x001A:[V596-A4-D0:0] OPEN NORMAL 224 0
3 0x005A:[V596-A3-D0:0] OPEN NORMAL 224 0
DEV#: 3B DEVICE NAME: 0x003B:[V596-A4-D1:1]
TYPE: 2105E20 SERIAL: 01312028 POLICY: Round Robin

Path# Device State Mode Select Errors
0 0x003B:[V596-A4-D1:1] OPEN NORMAL 1 0
1 0x007B:[V596-A3-D1:1] OPEN NORMAL 1 0
2 0x001B:[V596-A4-D0:1] OPEN NORMAL 1 0
3 0x005B:[V596-A3-D0:1] OPEN NORMAL 1 0
END:datapath query adapter
Active Adapters :2
Adpt# Adapter Name State Mode Select Errors Paths Active
0 [V596-A4] NORMAL ACTIVE 795 0 4 4
1 [V596-A3] NORMAL ACTIVE 794 0 4 4
(Pull one of the cable)
Error has occurred on device 0x3A path 2
(Adapter Error Code: 0x8007, Device Error Code: 0x0000)
[No sense data]
This path is in CLOSE state.
Error has occurred on device 0x3A path 0
(Adapter Error Code: 0x8007, Device Error Code: 0x0000)
[No sense data]

```

```

This path is in CLOSE state.
Path Recovery (1) has failed on device 0x3A path 2
(Adapter Error Code: 0x8007, Device Error Code: 0x0000)
[No sense data]
This path is in CLOSE state.
Path Recovery (1) has failed on device 0x3A path 0
(Adapter Error Code: 0x8007, Device Error Code: 0x0000)
[No sense data]
This path is in CLOSE state.
ND:datapath query device
Total Devices : 2
DEV#: 3A DEVICE NAME: 0x003A:[V596-A4-D1:0]
TYPE: 2105E20 SERIAL: 30812028 POLICY: Round Robin

Path# Device State Mode Select Errors
0 0x003A:[V596-A4-D1:0] CLOSE NORMAL 418 2
1 0x007A:[V596-A3-D1:0] OPEN NORMAL 740 0
2 0x001A:[V596-A4-D0:0] CLOSE NORMAL 418 2
3 0x005A:[V596-A3-D0:0] OPEN NORMAL 739 0
DEV#: 3B DEVICE NAME: 0x003B:[V596-A4-D1:1]
TYPE: 2105E20 SERIAL: 01312028 POLICY: Round Robin

Path# Device State Mode Select Errors
0 0x003B:[V596-A4-D1:1] OPEN NORMAL 1 0
1 0x007B:[V596-A3-D1:1] OPEN NORMAL 1 0
2 0x001B:[V596-A4-D0:1] OPEN NORMAL 1 0
3 0x005B:[V596-A3-D0:1] OPEN NORMAL 1 0
END:datapath query adapter
Active Adapters :2
Adpt# Adapter Name State Mode Select Errors Paths Active
0 [V596-A4] DEGRAD ACTIVE 901 5 4 2
1 [V596-A3] NORMAL ACTIVE 1510 0 4 4
(If reconnect cable and issue manual online command)
END:datapath set adapter 0 online
datapath set adapter command has been issued for adapter 4(Adpt# 0).
This adapter is in NORMAL state.
device 0x59 path 0 is in OPEN state.
device 0x58 path 0 is in OPEN state.
datapath set adapter command has been issued for adapter 4(Adpt# 2).
This adapter is in NORMAL state.
device 0x59 path 2 is in OPEN state.
device 0x58 path 2 is in OPEN state.
Success: set adapter 0 to online
Adpt# Adapter Name State Mode Select Errors Paths Active
0 [V596-A4] NORMAL ACTIVE 2838 14 4 4
(If reconnect cable and let SDD do path recovery itself)
Path Recovery (2) has succeeded on device 0x3A path 2.
This path is in OPEN state.
Path Recovery (2) has succeeded on device 0x3A path 0.
This path is in OPEN state.
(If cable is not reconnected, after 3 retries, path will be set to DEAD)
Path Recovery (3) has failed on device 0x3A path 2
(Adapter Error Code: 0x8007, Device Error Code: 0x0000)
[No sense data]
This path is in DEAD state.
Path Recovery (3) has failed on device 0x3A path 0
(Adapter Error Code: 0x8007, Device Error Code: 0x0000)
[No sense data]
This path is in DEAD state.
END:datapath query device
Total Devices : 2
DEV#: 3A DEVICE NAME: 0x003A:[V596-A4-D1:0]
TYPE: 2105E20 SERIAL: 30812028 POLICY: Round Robin

Path# Device State Mode Select Errors
0 0x003A:[V596-A4-D1:0] DEAD NORMAL 1418 7
1 0x007A:[V596-A3-D1:0] OPEN NORMAL 4740 0
2 0x001A:[V596-A4-D0:0] DEAD NORMAL 1418 7

```

```

3 0x005A:[V596-A3-D0:0] OPEN NORMAL 4739 0
DEV#: 3B DEVICE NAME: 0x003B:[V596-A4-D1:1]
TYPE: 2105E20 SERIAL: 01312028 POLICY: Round Robin
Path# Device State Mode Select Errors
0 0x003B:[V596-A4-D1:1] OPEN NORMAL 1 0
1 0x007B:[V596-A3-D1:1] OPEN NORMAL 1 0
2 0x001B:[V596-A4-D0:1] OPEN NORMAL 1 0
3 0x005B:[V596-A3-D0:1] OPEN NORMAL 1 0
(If cable is continually disconnected, path will be set to INVALID if path
reclamation fails)
Path Reclamation has failed on device 0x3A path 2
(Adapter Error Code: 0x8007, Device Error Code: 0x0000)
[No sense data]
This path is in INVALID state.
Path Reclamation has failed on device 0x3A path 0
(Adapter Error Code: 0x8007, Device Error Code: 0x0000)
[No sense data]
This path is in INVALID state.
END:datapath query device
Total Devices : 2
DEV#: 3A DEVICE NAME: 0x003A:[V596-A4-D1:0]
TYPE: 2105E20 SERIAL: 30812028 POLICY: Round Robin
Path# Device State Mode Select Errors
0 0x003A:[V596-A4-D1:0] INVALID NORMAL 1418 8
1 0x007A:[V596-A3-D1:0] OPEN NORMAL 54740 0
2 0x001A:[V596-A4-D0:0] INVALID NORMAL 1418 8
3 0x005A:[V596-A3-D0:0] OPEN NORMAL 54739 0
DEV#: 3B DEVICE NAME: 0x003B:[V596-A4-D1:1]
TYPE: 2105E20 SERIAL: 01312028 POLICY: Round Robin
Path# Device State Mode Select Errors
0 0x003B:[V596-A4-D1:1] OPEN NORMAL 1 0
1 0x007B:[V596-A3-D1:1] OPEN NORMAL 1 0
2 0x001B:[V596-A4-D0:1] OPEN NORMAL 1 0
3 0x005B:[V596-A3-D0:1] OPEN NORMAL 1 0
(If pull both cable, volume will be deactivated, IO stops, paths will be set to
INVALID except one path left OPEN)
Aug 8, 2003 3:05:05 am NSS <comn>-3.02-xxxx: comnVol.c[7478]
Volume TEMPVOL: User data I/O error 20204(zio.c[1912]).
Block 268680(file block 63)(ZID 3779)
Volume TEMPVOL: User data I/O error 20204(zio.c[1912]).
Block 268681(file block 64)(ZID 3779)
Deactivating pool "TEMPPPOOL"...
Aug 8, 2003 3:05:06 am NSS<COMN>-3.02-xxxx: comnPool.c[2516]
Pool TEMPPPOOL: System data I/O error 20204(zio.c[1890]).
Block 610296(file block 10621)(ZID 3)
Dismounting Volume TEMPVOL
The share point "TEMPVOL" has been deactivated due to dismount of volume TEMPVOL
.
Aug 8, 2003 3:05:06 am NSS<COMN>-3.02-xxxx: comnVol.c[7478]
Volume TEMPVOL: User data I/O error 20204(zio.c[1912]).
Block 268682(file block 65)(ZID 3779)
Aug 8, 2003 3:05:07 am NSS<COMN>-3.02-xxxx: comnVol.c[7478]
Volume TEMPVOL: User data I/O error 20204(zio.c[1912]).
Block 268683(file block 66)(ZID 3779)
Aug 8, 2003 3:05:08 am NSS<COMN>-3.02-xxxx: comnVol.c[7478]
Block 268684(file block 67)(ZID 3779)
Aug 8, 2003 3:05:08 am NSS<COMN>-3.02-xxxx: comnVol.c[7478]
Block 268685(file block 68)(ZID 3779)
.....
END:datapath query device
Total Devices : 2
DEV#: 3A DEVICE NAME: 0x003A:[V596-A4-D1:0]
TYPE: 2105E20 SERIAL: 30812028 POLICY: Round Robin
Path# Device State Mode Select Errors
0 0x003A:[V596-A4-D1:0] OPEN NORMAL 2249 3064
1 0x007A:[V596-A3-D1:0] INVALID OFFLINE 12637 1

```

```

2 0x001A:[V596-A4-D0:0] INVALID OFFLINE 2248 16
3 0x005A:[V596-A3-D0:0] INVALID OFFLINE 12637 4
DEV#: 3B DEVICE NAME: 0x003B:[V596-A4-D1:1]
TYPE: 2105E20 SERIAL: 01312028 POLICY: Round Robin

Path# Device State Mode Select Errors
0 0x003B:[V596-A4-D1:1] OPEN NORMAL 1 0
1 0x007B:[V596-A3-D1:1] OPEN NORMAL 1 0
2 0x001B:[V596-A4-D0:1] OPEN NORMAL 1 0
3 0x005B:[V596-A3-D0:1] OPEN NORMAL 1 0
END:datapath query adapter
Active Adapters :2
Adpt# Adapter Name State Mode Select Errors Paths Active
0 [V596-A4] DEGRAD ACTIVE 4499 3080 4 2
1 [V596-A3] DEGRAD ACTIVE 25276 5 4 2
(After reconnect both cables, issue manual online command)
END:datapath set adapter 0 online
Success: set adapter 0 to online
Adpt# Adapter Name State Mode Select Errors Paths Active
0 [V596-A4] NORMAL ACTIVE 4499 3080 4 4
END:datapath set adapter 1 online
Success: set adapter 1 to online
Adpt# Adapter Name State Mode Select Errors Paths Active
1 [V596-A3] NORMAL ACTIVE 25276 5 4 4
END:datapath query adapter
Active Adapters :2
Adpt# Adapter Name State Mode Select Errors Paths Active
0 [V596-A4] NORMAL ACTIVE 4499 3080 4 4
1 [V596-A3] NORMAL ACTIVE 25276 5 4 4
(AT this time, volume tempvol could not be mounted, pool activation is need)
END:mount tempvol
Volume TEMPVOL could NOT be mounted. Some or all volumes segments cannot be located.
If this is an NSS volume, the pool may need to be activated using the command nss /poolactivate=poolname.
END:nss /poolactivate=tempool
Activating pool "TEMPPPOOL"...
** Pool layout v40.07
** Processing journal
** 1 uncommitted transaction(s)
** 1839 Redo(s), 2 Undo(s), 2 Logical Undo(s)
** System verification completed
** Loading system objects
** Processing volume purge log
** .
** Processing pool purge log
** .
Loading volume "TEMPVOL"
Volume TEMPVOL set to the DEACTIVATE state.
Pool TEMPPPOOL set to the ACTIVATE state.
END:mount tempvol
Activating volume "TEMPVOL"
** Volume layout v35.00
** Volume creation layout v35.00
** Processing volume purge log
** .
Volume TEMPVOL set to the ACTIVATE state.
Mounting Volume TEMPVOL
** TEMPVOL mounted successfully
END:volumes
Mounted Volumes Name Spaces Flags
SYS DOS, LONG Cp Sa
 ADMIN DOS, MAC, NFS, LONG NSS P
TEMPVOL DOS, MAC, NFS, LONG NSS
3 volumes mounted

```

Chapter 7. Using SDD on a Solaris host system

This chapter provides step-by-step procedures on how to install, configure, remove, and use SDD on a Solaris host system that is attached to supported storage devices. For updated and additional information not included in this manual, see the Readme file on the CD-ROM or visit the SDD Web site:

www.ibm.com/servers/storage/support/software/sdd

Verifying the hardware and software requirements

You must install the following hardware and software components to ensure that SDD installs and operates successfully.

Hardware

The following hardware components are needed:

- One or more supported storage devices.
- For parallel SCSI access to ESS, one or more SCSI host adapters.
- One or more fibre-channel host adapters. In case of a single fibre-channel adapter, it must connect through a switch to multiple disk storage system ports.
- Subsystem LUNs that are created and confirmed for multiport access. Each LUN should have up to eight disk instances, with one for each path on the server.
- A SCSI cable to connect each SCSI host adapter to a storage system control-unit image port
- A fiber-optic cable to connect each fibre-channel adapter to a disk storage system controller port or a fibre-channel switch connected with disk storage system or virtualization product port. To install SDD and use the input/output (I/O) load-balancing and failover features, you need a minimum of two SCSI (ESS only) or fibre-channel host adapters if you are attaching to a disk storage system. To install SDD and use the input-output (I/O) load-balancing and failover features, you need a minimum of two fibre-channel host adapters if you are attaching to a virtualization product.

SDD requires enabling the host-adapter persistent binding feature to have the same system device names for the same LUNs.

Software

SDD supports:

- ESS on a SPARC system running 32-bit Solaris 2.6/7/8/9 or 64-bit Solaris 7/8/9/10
- DS8000 on a SPARC system running 32-bit Solaris 8/9 or 64-bit Solaris 8/9/10
- DS6000 on a SPARC system running 32-bit Solaris 8/9 or 64-bit Solaris 8/9/10
- SAN Volume Controller on a SPARC system running 64-bit Solaris 8/9

Supported environments

SDD supports 32-bit applications on Solaris 2.6.

SDD supports 32-bit applications on 32-bit Solaris 7/8/9.

SDD supports both 32-bit and 64-bit applications on 64-bit Solaris 7/8/9/10.

Unsupported environments

SDD does not support the following environments:

- A host system with both a SCSI and fibre-channel connection to a shared LUN
- A system start from an SDD pseudo device
- A system paging file on an SDD pseudo device
- Root (/), /var, /usr, /opt, /tmp and swap partitions on an SDD pseudo device
- Single-path mode during concurrent download of licensed machine code nor during any disk storage system concurrent maintenance that impacts the path attachment, such as an disk storage system host-bay-adapter replacement
- Single-path configuration for Fibre Channel
- DS8000 and DS6000 do not support SCSI connectivity

Understanding how SDD works on a Solaris host system

SDD resides above the Solaris SCSI disk driver (sd) in the protocol stack. For more information about how SDD works, see “The SDD architecture” on page 2.

Preparing for SDD installation

Before you install SDD, you must first configure the disk storage systems or virtualization products to your host system.

Solaris SDD supports up to 600 physical LUNs from different storage systems on a single Solaris host. In a SPARC host, each physical LUN has 8 partitions.

Solaris SDD supports up to 32 paths per LUN.

Configuring disk storage systems

SDD requires a minimum of two independent paths that share the same logical unit to use the load-balancing and path-failover-protection features. **With a single path, failover protection is not provided.**

For information about how to configure your disk storage system, refer to the *IBM TotalStorage Enterprise Storage Server: Introduction and Planning Guide*.

Configuring virtualization products

Before you install SDD, configure your virtualization product and fibre-channel switches to assign LUNs to the system with multipath access. SDD requires a minimum of two independent paths that share the same logical unit to use the load-balancing and path-failover-protection features.

For information about configuring your SAN Volume Controller, refer to the *IBM System Storage Virtualization Family: SAN Volume Controller Configuration Guide*.

Determining if the SDD server for Expert is installed

If you previously installed the SDD server (the standalone version) for IBM TotalStorage Expert V2R1 (ESS Expert) on your Solaris host system, you must remove this standalone version of the SDD server before you proceed with SDD 1.3.1.0 (or later) installation. The installation package for SDD 1.3.1.0 includes the SDD server daemon (also referred to as sdsrv), which incorporates the functionality of the standalone version of the SDD server (for ESS Expert).

To determine if the standalone version of the SDD server is installed on your host system, enter:

pkginfo -i SDDsrv

If you previously installed the standalone version of the SDD server, the output from the **pkginfo -i SDDsrv** command looks similar to the following output:

```
application SDDsrv SDDsrv bb-bit Version: 1.0.0.0 Nov-14-2001 15:34
```

Note:

- The installation package for the standalone version of the SDD server (for ESS Expert) is `SDDsrvSUNbb_yymmdd.pkg`. In this version, *bb* represents 32 or 64 bit, and *yymmdd* represents the date of the installation package. For ESS Expert V2R1, the standalone SDD server installation package is `SDDsrvSun32_020115.pkg` for a 32-bit environment and `SDDsrvSun64_020115.pkg` for a 64-bit environment.
- For instructions on how to remove the standalone version of the SDD server (for ESS Expert) from your Solaris host system, see the IBM® Subsystem Device Driver Server 1.0.0.0 (sddsrv) README for IBM TotalStorage Expert V2R1 at the following Web site:
www.ibm.com/servers/storage/support/software/swexpert/

For more information about the SDD server daemon, go to “SDD server daemon” on page 294.

Planning for installation

Before you install SDD on your Solaris host system, you need to understand what kind of software is running on it. The way that you install SDD depends on the kind of software that you are running. Three types of software communicate directly to raw or block disk-device interfaces such as `sd` and SDD:

- UNIX file systems, where no logical volume manager (LVM) is present.
- LVMs such as Sun Solstice Disk Suite. LVMs allow the system manager to logically integrate, for example, several different physical volumes to create the image of a single large volume.
- Major application packages, such as certain database managers (DBMSs).

You can install SDD in three different ways. The way that you choose depends on the kind of software that you have installed:

Table 26 further describes the various installation scenarios and how you should proceed.

Table 26. SDD installation scenarios

Installation scenario	Description	How to proceed
------------------------------	--------------------	-----------------------

Table 26. SDD installation scenarios (continued)

Scenario 1	<ul style="list-style-type: none"> • SDD is not installed. • No volume managers are installed. • No software application or DBMS is installed that communicates directly to the sd interface. 	Go to: <ol style="list-style-type: none"> 1. "Installing SDD" 2. "Standard UNIX applications" on page 295
Scenario 2	<ul style="list-style-type: none"> • SDD is not installed. • An existing volume manager, software application, or DBMS is installed that communicates directly to the sd interface. 	Go to: <ol style="list-style-type: none"> 1. "Installing SDD" 2. "Using applications with SDD" on page 295
Scenario 3	SDD is installed.	Go to "Upgrading SDD" on page 289.

Table 27 lists the installation package file names that come with SDD.

Table 27. Operating systems and SDD package file names

Operating system	Package file name
32-bit Solaris 2.6/7/8/9	sun32bit/IBMsdd
64-bit Solaris 7/8/9	sun64bit/IBMsdd
64-bit Solaris 10	solaris10/IBMsdd

For SDD to operate properly, ensure that the Solaris patches are installed on your operating system. Go to the following Web site for the latest information about Solaris patches:

<http://sunsolve.sun.com>

For more information on the Solaris patches, refer to the *IBM TotalStorage Enterprise Storage Server: Host Systems Attachment Guide* or the *IBM System Storage Virtualization Family: SAN Volume Controller Host Systems Attachment Guide*.

Attention: Analyze and study your operating system and application environment to ensure that there are no conflicts with these patches prior to their installation.

Installing SDD

Before you install SDD, make sure that you have root access to your Solaris host system and that all the required hardware and software is ready. You can download the latest SDD package and readme from the SDD Web site:

www.ibm.com/servers/storage/support/software/sdd

Note: Note that SDD package name has changed from IBMdpo to IBMsdd for SDD 1.4.0.0 or later.

To install SDD on your Solaris host system from CD-ROM, perform the following steps. Similar steps can be used to install SDD that has been downloaded from SDD Web site.

Note: If the OS is Solaris 8 or Solaris 9, you can check the OS bit-level that is executing by issuing **# isainfo -kv**.

1. Make sure that the SDD CD is available.
2. Insert the CD into your CD-ROM drive.
3. Change to the installation directory:
cd /cdrom/cdrom0/sun32bit or
cd /cdrom/cdrom0/sun64bit
4. Issue the **pkgadd** command and point the **-d** option of the **pkgadd** command to the directory that contains IBMsdd. For example,
pkgadd -d /cdrom/cdrom0/sun32bit IBMsdd or
pkgadd -d /cdrom/cdrom0/sun64bit IBMsdd
5. A message similar to the following message is displayed:

```
Processing package instance <IBMsdd> from <var/spool/pkg>
```

```
IBM SDD driver  
(sparc) 1
```

```
## Processing package information.  
## Processing system information.  
## Verifying disk space requirements.  
## Checking for conflicts with packages already installed.  
## Checking for setuid/setgid programs.
```

```
This package contains scripts that will be executed with super-user  
permission during the process of installing this package.
```

```
Do you want to continue with the installation of <IBMsdd> [y,n,?]
```

6. Enter **y** and press **Enter** to proceed. A message similar to the following message is displayed:

```

Installing IBM sdd driver as <IBMsdd>

## Installing part 1 of 1.
/etc/defvpath
/etc/rcS.d/S20vpath-config
/etc/sample_sddsrv.conf
/kernel/drv/sparcv9/vpathdd
/kernel/drv/vpathdd.conf
/opt/IBMsdd/bin/cfgvpath
/opt/IBMsdd/bin/datapath
/opt/IBMsdd/bin/defvpath
/opt/IBMsdd/bin/get_root_disk
/opt/IBMsdd/bin/pathtest
/opt/IBMsdd/bin/rmvpath
/opt/IBMsdd/bin/setlicense
/opt/IBMsdd/bin/showvpath
/opt/IBMsdd/bin/vpathmkdev
/opt/IBMsdd/devlink.vpath.tab
/opt/IBMsdd/etc.profile
/opt/IBMsdd/etc.system
/opt/IBMsdd/vpath.msg
/opt/IBMsdd/vpathexcl.cfg
/sbin/sddsrv
/usr/sbin/vpathmkdev
[ verifying class ]
## Executing postinstall script.

/etc/rcS.d/S20vpath-config
/etc/sample_sddsrv.conf
/kernel/drv/sparcv9/vpathdd
/kernel/drv/vpathdd.conf
/opt/IBMsdd/bin/cfgvpath
/opt/IBMsdd/bin/datapath
/opt/IBMsdd/bin/defvpath
/opt/IBMsdd/bin/get_root_disk
/opt/IBMsdd/bin/pathtest
/opt/IBMsdd/bin/rmvpath
/opt/IBMsdd/bin/setlicense
/opt/IBMsdd/bin/showvpath
/opt/IBMsdd/bin/vpathmkdev
/opt/IBMsdd/devlink.vpath.tab
/opt/IBMsdd/etc.profile
/opt/IBMsdd/etc.system
/opt/IBMsdd/vpath.msg
/opt/IBMsdd/vpathexcl.cfg
/sbin/sddsrv
/usr/sbin/vpathmkdev
[ verifying class ]
Vpath: Configuring 24 devices (3 disks * 8 slices)

Installation of <IBMsdd> was successful.

The following packages are available:
1 IBMcli ibm2105cli
   (sparc) 1.1.0.0
2 IBMsdd IBM SDD driver Version: May-10-2000 16:51
   (sparc) 1
Select package(s) you wish to process (or 'all' to process
all packages). (default: all) [?,??,q]:

```

7. If SDD installation package determines that the system requires reboot, a message similar to the following message will be displayed:

```

*** IMPORTANT NOTICE ***
This machine must now be rebooted in order to ensure
sane operation. Execute
    shutdown -y -i6 -g0
and wait for the "Console Login:" prompt.

```

Postinstallation

If you install SDD from a CD-ROM, you can now manually umount the CD. Issue the **umount /cdrom** command from the root directory. Go to the CD-ROM drive and press the Eject button.

After you install SDD, you must restart your system to ensure proper operation. Enter the command:

```
# shutdown -i6 -g0 -y
```

SDD vpath devices are found in the `/dev/rdisk` and `/dev/dsk` directories. The SDD vpath device is named according to the SDD instance number. A device with an instance number 1 would be: `/dev/rdisk/vpath1a` where a denotes a slice. Therefore, `/dev/rdisk/vpath1c` would be instance 1 and slice 2. Similarly, `/dev/rdisk/vpath2c` would be instance 2 and slice 2.

After SDD is installed, the device driver resides above the Sun SCSI disk driver (`sd`) in the protocol stack. In other words, SDD now communicates to the Solaris device layer. The SDD software installation procedure installs a number of SDD components and updates some system files. Those components and files are listed in the following tables.

Table 28. SDD components installed for Solaris host systems

File	Location	Description
vpathdd	/kernel/drv	Device driver
vpathdd.conf	/kernel/drv	SDD config file
Executables	/opt/IBMsdd/bin	Configuration and status tools
sddgetdata	/opt/IBMsdd/bin	The SDD data collection tool for problem analysis
S20vpath-config	/etc/rcS.d	Boot initialization script Note: This script must come before other LVM initialization scripts.
sddsrv	/sbin/sddsrv	SDD server daemon
sample_sddsrv.conf	/etc/sample_sddsrv.conf	Sample SDD server config file

Table 29. System files updated for Solaris host systems

File	Location	Description
/etc/system	/etc	Forces the loading of SDD
/etc/devlink.tab	/etc	Tells the system how to name SDD devices in /dev

Table 30. SDD commands and their descriptions for Solaris host systems

Command	Description
cfgvpath [-c]	<p>Configures SDD vpath devices using the following process:</p> <ol style="list-style-type: none"> 1. Scan the host system to find all devices (LUNs) that are accessible by the Solaris host. 2. Determine which devices (LUNs) are the <i>same</i> devices that are accessible through different paths. 3. Create configuration file <code>/etc/vpath.cfg</code> to save the information about devices. <p>With <code>-c</code> option: cfgvpath exits without initializing the SDD driver. The SDD driver will be initialized after reboot. This option is used to reconfigure SDD after a hardware reconfiguration.</p> <p>Note: cfgvpath -c updates the configuration file but does not update the kernel. To update the kernel, you need to reboot.</p> <p>Without <code>-c</code> option: cfgvpath initializes the SDD device driver <code>vpathdd</code> with the information stored in <code>/etc/vpath.cfg</code> and creates SDD vpath devices <code>/devices/pseudo/vpathdd*</code></p> <p>Note: cfgvpath without <code>-c</code> option should not be used after hardware reconfiguration because the SDD driver is already initialized with previous configuration information. Reboot is required to properly initialize the SDD driver with the new hardware configuration information.</p>
cfgvpath -r	<p>Reconfigures SDD vpath devices if SDD vpath devices exist. See “Option 2: Dynamic reconfiguration” on page 290. If no SDD vpath devices exist, use cfgvpath without <code>-r</code> option.</p>
showvpath	<p>Lists all SDD vpath devices and their underlying disks.</p>
vpathmkdev	<p>Creates files <code>vpathMsN</code> in the <code>/dev/dsk/</code> and <code>/dev/rdisk/</code> directories by creating links to the pseudo-vpath devices <code>/devices/pseudo/vpathdd*</code> that are created by the SDD driver.</p> <p>Files <code>vpathMsN</code> in the <code>/dev/dsk/</code> and <code>/dev/rdisk/</code> directories provide block and character access to an application the same way as the <code>cxydzsn</code> devices created by the system.</p> <p>vpathmkdev is executed automatically during SDD package installation and should be executed manually to update files <code>vpathMsN</code> after hardware reconfiguration.</p>

Table 30. SDD commands and their descriptions for Solaris host systems (continued)

Command	Description
datapath	SDD driver console command tool.
rmvpath [-b] [all vpathname] rmvpath -ab	Removes SDD vpath devices from the configuration. See “Option 2: Dynamic reconfiguration” on page 290.

If you are not using a volume manager, software application, or DBMS that communicates directly to the sd interface, then the installation procedure is nearly complete. If you have a volume manager, software application, or DBMS installed that communicates directly to the sd interface, such as Oracle, go to “Using applications with SDD” on page 295 and read the information specific to the application that you are using.

Verifying the SDD installation

To verify the SDD installation, perform the following steps:

1. Add **/opt/IBMsdd/bin** to the path.
 - a. C shell: `setenv PATH /opt/IBMsdd/bin:$PATH`
 - b. Bourne Shell: `PATH=/opt/IBMsdd/bin:$PATH, export PATH`
 - c. Korn Shell: `export PATH=/opt/IBMsdd/bin:$PATH`

To verify that you successfully installed SDD, enter **datapath query device**. If the command executes, SDD is installed.

Upgrading SDD

To upgrade SDD without requiring a reboot:

1. Stop I/O activity on all SDD devices.
2. In order to upgrade SDD without requiring reboot, all the SDD devices need to be closed before uninstalling SDD.
 - a. Unmount all the filesystems mounted on SDD devices.
 - b. If using Volume Manager, ensure that all the vpath devices are in offline mode in the Volume Manager.
 - c. To verify that all the SDD devices closed, execute the **datapath query adapter** command. The active path count for all the adapters should be zero.
3. Uninstall SDD using the procedure in “Uninstalling SDD” on page 293.
4. Install SDD using the procedure in “Installing SDD” on page 284.

If, for some reason, SDD devices were not closed before step 3 and step 4, then the system will need to be rebooted after SDD is installed. If reboot is required, then following message will be printed at the end of installation:

```
*** IMPORTANT NOTICE ***
This machine must now be rebooted in order to ensure
sane operation. Execute
    shutdown -y -i6 -g0
and wait for the "Console Login:" prompt.
```

Configuring SDD

Before you start the SDD configuration process, make sure that you have successfully configured the disk storage system or virtualization product to which your host system is attached and that the disk storage system or virtualization product is operational.

Changing an SDD hardware configuration

When adding or removing multiport SCSI devices from your system, you must reconfigure SDD to recognize the new devices. Before reconfiguring SDD, the system needs to first recognize the hardware change.

Option 1: Reconfigure the system and reconfigure SDD

Perform the following steps to reconfigure the system and to reconfigure SDD. Step 1 and step 2 of this process reconfigure the system for the hardware change and the remaining steps reconfigure SDD.

1. Shut down the system. If you have a console attached to your host, enter **shutdown -i0 -g0 -y** and press **Enter**. If you do not have a console attached to your host, enter **shutdown -i6 -g0 -y** and press **Enter** to shut down and reboot the system.
2. If you have a console attached to your host (that is, you entered **shutdown -i0 -g0 -y** in step 1), perform a configuration restart by entering **boot -r** and pressing **Enter** at the OK prompt.
3. Run the SDD utility to reconfigure SDD. Enter **cfgvpath -c** and press **Enter**.
4. Shut down the system. Enter **shutdown -i6 -g0 -y** and press **Enter**.
5. After the restart, change to the `/opt/IBMsdd/bin` directory by entering:

```
cd /opt/IBMsdd/bin
```
6. For Solaris 8/9:
 - a. Enter **devfsadm** and press **Enter** to reconfigure all the drives.For Solaris 6:
 - a. Enter **drvconfig** and press **Enter**.
 - b. Enter **devlinks** and press **Enter** to reconfigure all the drives.
7. Enter **vpathmkdev** and press **Enter** to create all the SDD vpath devices.

Option 2: Dynamic reconfiguration

If the system can recognize the hardware change without reboot, dynamic reconfiguration provides a way to automatically detect path configuration changes without requiring a reboot. After the system has recognized the new hardware change, the following commands will reconfigure SDD.

Tip: Before executing the following SDD dynamic reconfiguration commands, execute the **showvpath** and **datapath query device** commands and save a copy of the output of both commands so that the change in the SDD configuration after the dynamic reconfiguration can be easily verified.

1. **cfgvpath -r**

Note: If there are no existing SDD vpath devices, the **cfgvpath -r** command will not dynamically reconfigure new SDD vpath devices. You should execute **cfgvpath** to configure new SDD vpath devices. Then execute **devfsadm** and **vpathmkdev**.

This operation finds the current hardware configuration and compares it to the SDD vpath device configuration in memory and then works out a list of

differences. It then issues commands to put the SDD vpath device configuration in memory up-to-date with the current hardware configuration. The **cfgvpath -r** operation issues these commands to the vpath driver:

- a. Add SDD vpath device.

If you are adding new SDD vpath devices, you need to execute **devfsadm** and **vpathmkdev**.

- b. Remove an SDD vpath device; this will fail if the device is busy.
- c. Add path to the SDD vpath device.

If the SDD vpath device changes from single path to multiple paths, the path selection policy of the SDD vpath device will be changed to load-balancing policy.

- d. Remove path for an SDD vpath device; this deletion of path will fail if device is busy, but will set path to DEAD and OFFLINE.

Removing paths of an SDD vpath device or removing an SDD vpath device can fail if the corresponding devices are busy. In the case of a path removal failure, the corresponding path would be marked OFFLINE. In the case of SDD vpath device removal failure, all the paths of the SDD vpath device would be marked OFFLINE. All OFFLINE paths would not be selected for I/Os. However, the SDD configuration file would be modified to reflect the paths or SDD vpath devices. When the system is rebooted, the new SDD configuration would be used to configure SDD vpath devices.

2. **rmvpath** command removes one or more SDD vpath devices.

- a. To remove all SDD vpath devices that are not busy:

```
# rmvpath -a11
```

- b. To remove one SDD vpath device if the SDD vpath device is not busy:

```
# rmvpath vpathname
```

For example, **rmvpath vpath10** will remove vpath10.

- c. To remove SDD vpath devices if the SDD vpath devices are not busy and also to remove the bindings between SDD vpath device names and LUNs so that the removed SDD vpath device names can be reused for new devices:

```
# rmvpath -b -a11
```

or

```
# rmvpath -b vpathname
```

- d. To remove all bindings associated with currently unconfigured vpath names so that all unconfigured SDD vpath device names can be reused for new LUNs:

```
# rmvpath -ab
```

Note: Option **-ab** does not remove any existing SDD vpath devices.

Note: When an SDD vpath device, vpathN, is created for a LUN, SDD will also create a binding between that SDD vpath name, vpathN, to that LUN. The binding will not be removed even after the LUN has been removed from the host. The binding allows the same SDD vpath device name, vpathN, to be assigned to the same LUN when it is reconnected to the host. In order to reuse an SDD vpath name for a new LUN, the binding needed to be removed before reconfiguring SDD.

Dynamically changing the SDD path-selection policy algorithm

SDD 1.4.0.0 (or later) supports multiple path-selection policies and allows users to change the path-selection policies dynamically. The following path-selection policies are supported:

failover only (fo)

All I/O operations for the device are sent to the same (preferred) path until the path fails because of I/O errors. Then an alternate path is chosen for subsequent I/O operations. This policy does not attempt to perform load balancing among paths.

load balancing (lb)

The path to use for an I/O operation is chosen by estimating the load on the adapter to which each path is attached. The load is a function of the number of I/O operations currently in process. If multiple paths have the same load, a path is chosen at random from those paths. Load-balancing mode also incorporates failover protection.

Note: The load-balancing policy is also known as the *optimized policy*.

round robin (rr)

The path to use for each I/O operation is chosen at random from paths that were not used for the last I/O operation. If a device has only two paths, SDD alternates between the two.

The path-selection policy is set at the SDD device level. The default path-selection policy for an SDD device is load balancing. You can change the policy for an SDD device. SDD version 1.4.0.0 (or later) supports dynamic changing of the path-selection policy for SDD devices.

Before changing the path-selection policy, determine the active policy for the device. Issue **datapath query device N**, where *N* is the device number of the SDD vpath device, to show the current active policy for that device. The output should look similar to the following example:

```
DEV#: 2 DEVICE NAME: vpath1c TYPE: 2105800 POLICY: OPTIMIZED
SERIAL: 03B23922
=====
Path# Adapter H/W Path Hard Disk State Mode Select Error
0 /pci@8,700000/fibre channel@3 sd@1,0:c,raw CLOSE NORMAL 0 0
1 /pci@8,700000/fibre channel@3 sd@2,0:c,raw CLOSE NORMAL 0 0
2 /pci@8,600000/fibre channel@1 sd@1,0:c,raw CLOSE NORMAL 0 0
3 /pci@8,600000/fibre channel@1 sd@2,0:c,raw CLOSE NORMAL 0 0
```

datapath set device policy command

Use the **datapath set device policy** command to change the SDD path-selection policy dynamically.

See “datapath set device policy” on page 395 for more information about the **datapath set device policy** command.

Uninstalling SDD

The following procedure explains how to uninstall an SDD. You must uninstall the current level of SDD before you upgrade to a newer level. Because the SDD package name has changed from IBMdpo to IBMsdd for SDD 1.4.0.0 (or later), uninstall SDD requires you to uninstall either the IBMdpo or the IBMsdd package.

Perform the following steps to uninstall SDD:

1. Unmount all file systems on SDD devices.
2. If you are using SDD with a database, such as Oracle, edit the appropriate database configuration files (database partition) to remove all the SDD devices.
3. Enter **# pkgrm IBMdpo** or **# pkgrm IBMsdd** and press **Enter** depending on the previous SDD package installed.

Attention: A number of different installed packages are displayed. Make sure that you specify the correct package to uninstall.

A message similar to the following message is displayed:

```
The following package is currently installed:
IBMsdd IBMsdd Driver 64-bit Version: 1.6.0.5 Oct-21-2004 19:36
(sparc) 1.6.0.5

Do you want to remove this package? [y,n,?,q] y
```

4. Enter **y** and press **Enter**. A message similar to the following message is displayed:

```
## Removing installed package instance <IBMsdd>

This package contains scripts that will be executed with super-user
permission during the process of removing this package.

Do you want to continue with the removal of this package [y,n,?,q] y
```

5. Enter **y** and press **Enter**. A message similar to the following message is displayed:

```
## Verifying package dependencies.
## Processing package information.
## Executing preremove script.
## Removing pathnames in class <none>
usr/sbin/vpathmkdev
/sbin/sddsrv
/opt/IBMsdd/vpathexcl.cfg
/opt/IBMsdd/vpath.msg
/opt/IBMsdd/etc.system
/opt/IBMsdd/etc.profile
/opt/IBMsdd/devlink.vpath.tab
/opt/IBMsdd/bin
/opt/IBMsdd
/kernel/drv/vpathdd.conf
/kernel/drv/sparcv9/vpathdd
/etc/sample_sddsrv.conf
/etc/rcS.d/S20vpath-config
/etc/defvpath
## Updating system information.

Removal of <IBMsdd> was successful.
```

Attention: If you are not performing an SDD upgrade, you should now reboot the system. If you are in the process of upgrading SDD, you do not need to reboot at this point. You can reboot the system after installing the new SDD package.

Understanding SDD support for single-path configuration for disk storage system

SDD does not support concurrent download of licensed machine code in single-path mode.

SDD does support single-path SCSI or fibre-channel connection from your SUN host system to a disk storage system. It is possible to create a volume group or an SDD vpath device with only a single path. However, because SDD cannot provide single-point-failure protection and load balancing with a single-path configuration, you should not use a single-path configuration.

SDD server daemon

The SDD server (also referred to as `sddsrv`) is an integrated component of SDD 1.3.1.0 (or later). This component consists of a UNIX application daemon that is installed in addition to the SDD device driver. See Chapter 12, “Using the SDD server and the SDDPCM server,” on page 367 for more information about `sddsrv`.

Verifying if the SDD server has started

After you have installed SDD, verify that the SDD server (`sddsrv`) has automatically started by entering **`ps -ef | grep sddsrv`**

If the SDD server (`sddsrv`) has automatically started, the output will display the process number on which `sddsrv` has started.

If the SDD Server has *not* started, go to “Starting the SDD server manually.”

Starting the SDD server manually

If the SDD server does not start automatically after you perform the SDD installation or you want to start it manually after stopping `sddsrv`, use the following process to start `sddsrv`:

1. Edit `/etc/inittab` and verify the `sddsrv` entry. For example:

```
srv:234:respawn:/sbin/sddsrv > /dev/null 2>&1
```
2. Save the file `/etc/inittab`.
3. Execute **`init q`**.
4. Follow the directions in “Verifying if the SDD server has started” to confirm that the SDD server started successfully.

Changing to a different port number for the SDD server

See “Changing the `sddsrv` or `pcmsrv` TCP/IP port number” on page 369.

Stopping the SDD server

Perform the following steps to stop the SDD server :

1. Edit `/etc/inittab` and comment out the SDD server entry:

```
#srv:234:respawn:/sbin/sddsrv > /dev/null 2>&1
```
2. Save the file.
3. Execute **`init q`**.
4. Check if `sddsrv` is running by executing **`ps -ef | grep sddsrv`**. If `sddsrv` is still running, execute **`kill -9 pid`** of `sddsrv`.

Using applications with SDD

If your system already has a volume manager, software application, or DBMS installed that communicates directly with the Solaris disk device drivers, you need to insert the new SDD device layer between the program and the Solaris disk device layer. You also need to customize the volume manager, software application, or DBMS in order to have it communicate with the SDD devices instead of the Solaris devices.

In addition, many software applications and DBMS need to control certain device attributes such as ownership and permissions. Therefore, you must ensure that the new SDD devices accessed by these software applications or DBMS have the same attributes as the Solaris `sd` devices that they replace. You need to customize the software application or DBMS to accomplish this.

This section describes how to use the following applications with SDD:

- Standard UNIX applications
- NFS
- Veritas Volume Manager
- Oracle
- Solaris Volume Manager

Standard UNIX applications

If you have not already done so, install SDD using the procedure in “Installing SDD” on page 284. After you install SDD, the device driver resides above the Solaris SCSI disk driver (`sd`) in the protocol stack. In other words, SDD now communicates to the Solaris device layer.

Standard UNIX applications, such as **newfs**, **fsck**, **mkfs**, and **mount**, which normally take a disk device or raw disk device as a parameter, also accept the SDD device as a parameter. Similarly, you can replace entries in files such as `vfstab` and `dfstab` (in the format of `cntndnsn`) by entries for the corresponding SDD `vpathNs` devices. Make sure that the devices that you want to replace are replaced with the corresponding SDD device. Issue the **showvpath** command to list all SDD devices and their underlying disks.

Installing SDD on a NFS file server

The procedures in this section show how to install SDD for use with an exported file system (NFS file server).

Setting up NFS for the first time

Perform the following steps if you are installing exported file systems on SDD devices for the first time:

1. If you have not already done so, install SDD using the procedure in the “Installing SDD” on page 284 section.
2. Determine which SDD (`vpathN`) volumes that you will use as file system devices.
3. Partition the selected volumes using the Solaris format utility.
4. Create file systems on the selected SDD devices using the appropriate utilities for the type of file system that you will use. If you are using the standard Solaris UFS file system, enter the following command:

```
# newfs /dev/rdisk/vpathNs
```


In this example, *N* is the SDD device instance of the selected volume. Create mount points for the new file systems.

5. Install the file systems into the `/etc/fstab` directory. Click **yes** in the **mount at boot** field.
6. Install the file system mount points into the directory `/etc/exports` for export.
7. Restart the system.

Installing SDD on a system that already has the Network File System file server

Perform the following steps if you have the Network File System file server already configured to:

- Export file systems that reside on a multiport subsystem
 - Use SDD partitions instead of sd partitions to access file systems
1. List the mount points for all currently exported file systems by looking in the `/etc/exports` directory.
 2. Match the mount points found in step 1 with `sdisk` device link names (files named `/dev/(r)dsk/cntndn`) by looking in the `/etc/fstab` directory.
 3. Match the `sd` device link names found in step 2 with SDD device link names (files named `/dev/(r)dsk/vpathN`) by issuing the **showvpath** command.
 4. Make a backup copy of the current `/etc/fstab` file.
 5. Edit the `/etc/fstab` file, replacing each instance of an `sd` device link named `/dev/(r)dsk/cntndn` with the corresponding SDD device link.
 6. Restart the system.
 7. Verify that each exported file system:
 - Passes the start time **fsck pass**
 - Mounts properly
 - Is exported and available to NFS clients

If a problem exists with any exported file system after you complete step 7, restore the original `/etc/fstab` file and restart to restore Network File System service. Then review your steps and try again.

Veritas Volume Manager

For these procedures, you should have a copy of the *Veritas Volume Manager System Administrator's Guide* and the *Veritas Volume Manager Command Line Interface for Solaris*. These publications can be found at the following Web site:

www.veritas.com

The latest Veritas Volume Manager does not allow disabling DMP. In order to use SDD as a multipathing driver under Veritas Volume Manager, you need to install an appropriate ASL (device-specific library) for a specific IBM storage device type. There are two types of ASL for each device type:

- One type of ASL allows DMP to be the multipathing devices for a IBM device type
- Another type of ASL enables DMP to work in passthru mode and allows SDD to become the multipath driver for that device type

Each device type requires an appropriate ASL for that device type.

ASL to enable DMP passthru mode for ESS is called `libvxvpath.so`, which is normally included in the Veritas Volume Manger package.

ASL to enable DMP passthru mode for SAN Volume Controller is called libvxsvc.so, and you must install it as a separate package. The ASL package is available for downloading from Veritas Web site.

SDD supports ESS devices for Veritas Volume Manager 3.5 MP2 or later and SAN Volume Controller devices for Veritas Volume Manager 3.5 MP2 Point Patch 3.1 or later with appropriate ASLs for SAN Volume Controller devices from Veritas.

To initially install SDD with Veritas Volume Manager:

Case 1: Installing Veritas Volume Manager for the first time.

1. Install SDD using the procedure in “Installing SDD” on page 284, if you have not already done so.
2. Ensure that you have rebooted the system after SDD is installed.
3. Install the Veritas Volume Manager package.
4. Follow the procedure in the Veritas Volume Manager manual to create the rootdg disk group and other required groups. In Veritas Volume Manager, the ESS vpath devices will have names such as VPATH_SHARK0_0, VPATH_SHARK0_1, and so on. SAN Volume Controller vpath devices will have names such as VPATH_SANVC0_0, VPATH_SANVC0_1, and so on.

Case 2: Installing SDD with Veritas already installed.

1. Install SDD using the procedure in “Installing SDD” on page 284.
2. Ensure that you have rebooted the system after SDD is installed.
In Veritas Volume Manager, the ESS vpath devices will have names such as VPATH_SHARK0_0, VPATH_SHARK0_1, and so on. SAN Volume Controller vpath devices will have names such as VPATH_SANVC0_0, VPATH_SANVC0_1, and so on.

Note: Multipathing of ESS and SAN Volume Controller devices managed by DMP before SDD installed will be managed by SDD after SDD is installed.

Oracle

You must have superuser privileges to perform the following procedures. You also need to have Oracle documentation on hand. These procedures were tested with Oracle 8.0.5 Enterprise server with the 8.0.5.1 patch set from Oracle.

Installing an Oracle database for the first time

You can set up your Oracle database in one of two ways. You can set it up to use a file system or raw partitions. The procedure for installing your database differs depending on the choice you make.

Using a file system:

1. If you have not already done so, install SDD using the procedure described in “Installing SDD” on page 284.
2. Create and mount file systems on one or more SDD partitions. (Oracle recommends three mount points on different physical devices.)
3. Follow the *Oracle Installation Guide* for instructions on how to install to a file system. (During the Oracle installation, you will be asked to name three mount points. Supply the mount points for the file systems you created on the SDD partitions.)

Using raw partitions:

Attention: If using raw partitions, make sure all the databases are closed before going further. Make sure that the ownership and permissions of the SDD devices are the same as the ownership and permissions of the raw devices that they are replacing. Do not use disk cylinder 0 (sector 0), which is the disk label. Using it corrupts the disk. For example, slice 2 on Sun is the whole disk. If you use this device without repartitioning it to start at sector 1, the disk label is corrupted.

In the following procedure you will replace the raw devices with the SDD devices.

1. If you have not already done so, install SDD using the procedure outlined in the “Installing SDD” on page 284 section.
2. Create the Oracle software owner user in the local server `/etc/passwd` file. You must also complete the following related activities:
 - a. Complete the rest of the Oracle preinstallation tasks described in the *Oracle8 Installation Guide*. Plan to install Oracle8 on a file system that resides on an SDD partition.
 - b. Set up the `ORACLE_BASE` and `ORACLE_HOME` environment variables of the Oracle user to be directories of this file system.
 - c. Create two more SDD-resident file systems on two other SDD volumes. Each of the resulting three mount points should have a subdirectory named `oradata`. The subdirectory is used as a control file and redo log location for the installer’s default database (a sample database) as described in the *Installation Guide*. Oracle recommends using raw partitions for redo logs. To use SDD raw partitions as redo logs, create symbolic links from the three redo log locations to SDD raw device links that point to the slice. These files are named `/dev/rdisk/vpathNs`, where *N* is the SDD instance number, and *s* is the partition ID.
3. Determine which SDD (`vpathN`) volumes you will use as Oracle8 database devices.
4. Partition the selected volumes using the Solaris format utility. If Oracle8 is to use SDD raw partitions as database devices, be sure to leave sector 0/disk cylinder 0 of the associated volume unused. This protects UNIX disk labels from corruption by Oracle8.
5. Ensure that the Oracle software owner has read and write privileges to the selected SDD raw partition device files under the `/devices/pseudo` directory.
6. Set up symbolic links in the `oradata` directory under the first of the three mount points. See step 2 on page 298. Link the database files to SDD raw device links (files named `/dev/rdisk/vpathNs`) that point to partitions of the appropriate size.
7. Install the Oracle8 server following the instructions in the *Oracle Installation Guide*. Be sure to be logged in as the Oracle software owner when you run the `oraInst /m` command. Select the **Install New Product - Create Database Objects** option. Select **Raw Devices** for the storage type. Specify the raw device links set up in step 2 for the redo logs. Specify the raw device links set up in step 3 for the database files of the default database.
8. To set up other Oracle8 databases, you must set up control files, redo logs, and database files following the guidelines in the *Oracle8 Administrator’s Reference*. Make sure any raw devices and file systems that you set up reside on SDD volumes.
9. Launch the `sqlplus` utility.
10. Issue the **create database** SQL command, specifying the control, log, and system data files that you have set up.

11. Issue the **create tablespace** SQL command to set up each of the temp, rbs, tools, and users database files that you created.
12. Issue the **create rollback segment** SQL command to create the three redo log files that you set. For the syntax of these three **create** commands, see the *Oracle8 Server SQL Language Reference Manual*.

Installing an SDD on a system that already has Oracle in place

The installation procedure for a new SDD installation differs depending on whether you are using a file system or raw partitions for your Oracle database.

If using a file system: Perform the following procedure if you are installing SDD for the first time on a system with an Oracle database that uses a file system:

1. Record the raw disk partitions being used (they are in the cntndnsn format) or the partitions where the Oracle file systems reside. You can get this information from the `/etc/vfstab` file if you know where the Oracle files are. Your database administrator can tell you where the Oracle files are, or you can check for directories with the name `oradata`.
2. Complete the basic installation steps in the “Installing SDD” on page 284 section.
3. Change to the directory where you installed the SDD utilities. Issue the **showvpath** command.
4. Check the directory list to find a `cntndn` directory that is the same as the one where the Oracle files are. For example, if the Oracle files are on `c1t8d0s4`, look for `c1t8d0s2`. If you find it, you will know that `/dev/dsk/vpath0c` is the same as `/dev/dsk/ct18d2s2`. (SDD partition identifiers end in an alphabetical character from a-g rather than s0, s1, s2, and so forth). A message similar to the following message is displayed:

```
vpath1c
c1t8d0s2 /devices/pci@1f,0/pci@1/scsi@2/sd@1,0:c,raw
c2t8d0s2 /devices/pci@1f,0/pci@1/scsi@2,1/sd@1,0:c,raw
```

5. Use the SDD partition identifiers instead of the original Solaris identifiers when mounting the file systems.

If you originally used the following Solaris identifiers:

```
mount /dev/dsk/c1t3d2s4 /oracle/mp1
```

you now use the following SDD partition identifiers:

```
mount /dev/dsk/vpath2e /oracle/mp1
```

For example, assume that `vpath2c` is the SDD identifier.

Follow the instructions in *Oracle Installation Guide* for setting ownership and permissions.

If using raw partitions: Perform the following procedure if you have Oracle8 already installed and want to reconfigure it to use SDD partitions instead of `sd` partitions (for example, partitions accessed through `/dev/rdisk/cntndn` files).

All Oracle8 control, log, and data files are accessed either directly from mounted file systems or through links from the `oradata` subdirectory of each Oracle mount point set up on the server. Therefore, the process of converting an Oracle installation from `sdisk` to SDD has two parts:

- Change the Oracle mount points' physical devices in `/etc/fstab` from `sdisk` device partition links to the SDD device partition links that access the same physical partitions.
- Re-create any links to raw `sdisk` device links to point to raw SDD device links that access the same physical partitions.

Converting an Oracle installation from `sd` to SDD partitions: Perform the following steps to convert an Oracle installation from `sd` to SDD partitions:

1. Back up your Oracle8 database files, control files, and redo logs.
2. Obtain the `sd` device names for the Oracle8 mounted file systems by looking up the Oracle8 mount points in `/etc/vfstab` and extracting the corresponding `sd` device link name (for example, `/dev/rdisk/c1t4d0s4`).
3. Launch the `sqlplus` utility.
4. Enter the command:

```
select * from sys.dba_data_files;
```

The output lists the locations of all data files in use by Oracle. Determine the underlying device where each data file resides. You can do this by either looking up mounted file systems in the `/etc/vfstab` file or by extracting raw device link names directly from the **select** command output.

5. Enter the **ls -l** command on each device link found in step 4 and extract the link source device file name. For example, if you enter the command:

```
# ls -l /dev/rdisk/c1t1d0s4
```

A message similar to the following message is displayed:

```
/dev/rdisk/c1t1d0s4 /devices/pci@1f,0/pci@1/scsi@2/sd@1,0:e
```

6. Write down the file ownership and permissions by issuing the **ls -lL** command on either the files in `/dev/` or `/devices` (it yields the same result). For example, if you enter the command:

```
# ls -lL /dev/rdisk/c1t1d0s4
```

A message similar to the following message is displayed:

```
crw-r--r-- oracle dba 32,252 Nov 16 11:49 /dev/rdisk/c1t1d0s4
```

7. Complete the basic installation steps in the “Installing SDD” on page 284 section.
8. Match each `cntndns` device with its associated `vpathNs` device link name by issuing the **showvpath** command. Remember that `vpathNs` partition names use the letters `a - h` in the `s` position to indicate slices `0 - 7` in the corresponding `cntndnsn` slice names.
9. Issue the **ls -l** command on each SDD device link.
10. Write down the SDD device nodes for each SDD device link by tracing back to the link source file.
11. Change the attributes of each SDD device to match the attributes of the corresponding disk device using the **chgrp** and **chmod** commands.
12. Make a copy of the existing `/etc/vfstab` file for recovery purposes. Edit the `/etc/vfstab` file, changing each Oracle device link to its corresponding SDD device link.

13. For each link found in an oradata directory, re-create the link using the appropriate SDD device link as the source file instead of the associated sd device link. As you perform this step, generate a reversing shell script that can restore all the original links in case of error.
14. Restart the server.
15. Verify that all file system and database consistency checks complete successfully.

Solaris Volume Manager (formerly Solstice DiskSuite)

Note: Sun has renamed Solstice DiskSuite to Solaris Volume Manager.

The following procedure will apply to Solaris Volume Manager. Depending on the DiskSuite version, the md.tab file is in either the /etc/opt/SUNWmd/ directory or the /etc/lvm/ directory.

For these procedures, you need access to the Solaris answerbook facility. These procedures were tested using Solstice DiskSuite 4.2 with the patch 106627-04 (DiskSuite patch) installed. You should have a copy of the *DiskSuite Administration Guide* available to complete these procedures. You must have superuser privileges to perform these procedures.

Note: SDD only supports Solstice DiskSuite line command interface. The DiskSuite Tool (metatool) does not recognize and present SDD devices for configuration.

Installing Solaris Volume Manager for the first time

Perform the following steps if you are installing Solaris Volume Manager on the multiport subsystem server for the first time:

1. Install SDD using the procedure in the “Installing SDD” on page 284 section, if you have not already done so.
2. Configure the SPARC server to recognize all devices over all paths using the **boot -r** command.
3. Install the Solaris Volume Manager packages and the answerbook. Do not restart yet.
4. Determine which SDD vpath devices you will use to create Solaris Volume Manager metadevices. Partition these devices by selecting them in the Solaris format utility. The devices appear as vpathNs, where *N* is the vpath driver instance number. Use the partition submenu, just as you would for an sd device link of the form, cntndn. If you want to know which cntndn links correspond to a particular SDD vpath device, enter the **showvpath** command and press **Enter**. Reserve at least three partitions of three cylinders each for use as Solaris Volume Manager Replica database locations.

Note: You do not need to partition any sd (cntndn) devices.

5. Set up the replica databases on a separate partition. This partition needs to be at least three partitions of three cylinders. Do not use a partition that includes Sector 0 for this database replica partition. Perform the following instructions for setting up replica databases on the vpathNs partitions, where *N* is the SDD vpath device instance number and *s* is the letter denoting the three-cylinder partition, or slice, of the device that you want to use as a replica. Remember that partitions a - h of an SDD vpath device correspond to slices 0 - 7 of the underlying multiport subsystem device.

Note: You should verify that Solaris Volume Manager on the host supports replica databases on SAN devices before setting up replica databases on SDD vpath devices.

6. Follow the instructions in the *Solaris Volume Manager Administration Guide* to build the types of metadevices that you need. Use the **metainit** command and the `/dev/(r)dsk/vpathNs` device link names wherever the instructions specify `/dev/(r)dsk/cntndnsn` device link names.
7. Insert the setup of all vpathNs devices used by DiskSuite into the md.tab file.

Installing SDD on a system that already has Solstice DiskSuite in place

Perform the following steps if Solstice DiskSuite is already installed and you want to convert existing sd devices used in metadevice configuration to the corresponding SDD devices:

1. Back up all data.
2. Back up the current Solstice configuration by making a copy of the md.tab file and recording the output of the **metastat** and **metadb -i** commands. Make sure all sd device links in use by DiskSuite are entered in the md.tab file and that they all come up properly after a restart.
3. Install SDD using the procedure in the “Installing SDD” on page 284 section, if you have not already done so. After the installation completes, enter **shutdown -i6 -y -g0** and press **Enter**. This verifies the SDD vpath installation.

Note: Do not do a reconfiguration restart.

4. Using a plain sheet of paper, make a two-column list and match the `/dev/(r)dsk/cntndnsn` device links found in step 2 with the corresponding `/dev/(r)dsk/vpathNs` device links. Use the **showvpath** command to do this step.
5. Delete each replica database currently configured with a `/dev/(r)dsk/cntndnsn` device by using the **metadb -d -f <device>** command. Replace the replica database with the corresponding `/dev/(r)dsk/vpathNs` device found in step 2 by using the **metadb -a <device>** command.
6. Create a new md.tab file. Insert the corresponding vpathNs device link name in place of each cntndnsn device link name. Do not do this for start device partitions (vpath does not currently support these). When you are confident that the new file is correct, install it in either the `/etc/opt/SUNWmd` directory or the `/etc/lvm` directory, depending on the DiskSuite version.
7. Restart the server, or proceed to the next step if you want to avoid restarting your system.
To back out the SDD vpath in case there are any problems following step 7:
 - a. Reverse the procedures in step 4 to step 6, reinstalling the original md.tab in the `/etc/opt/SUNWmd` directory or the `/etc/lvm` directory depending on the DiskSuite version.
 - b. Enter the **pkgrm IBMsdd** command.
 - c. Restart.
8. Stop all applications using DiskSuite, including file systems.
9. Enter the following commands for each existing metadevice:

metaclear <device>

10. Enter **metainit -a** to create metadevices on the `/dev/(r)dsk/vpathNs` devices.
11. Compare the metadevices that are created with the saved metastat output from step 2.

Create any missing metadevices and reconfigure the metadevices based on the configuration information from the saved metastat output.

12. Restart your applications.

Setting up transactional volume for UFS logging on a new system

For these procedures, you need access to the Solaris answerbook facility. You must have super-user privileges to perform these procedures.

Perform the following steps if you are installing a new UFS logging file system on SDD vpath devices:

1. Install SDD using the procedure in the “Installing SDD” on page 284 section, if you have not already done so.
2. Determine which SDD vpath (vpathNs) volumes that you will use as file system devices. Partition the selected SDD vpath volumes using the Solaris format utility. Be sure to create partitions for UFS logging devices as well as for UFS master devices.
3. Create file systems on the selected vpath UFS master device partitions using the **newfs** command.
4. Install Solaris Volume Manager if you have not already done so.
5. Create the metatrans device using **metainit**. For example, assume /dev/dsk/vpath1d is your UFS master device used in step 3, /dev/dsk/vpath1e is its corresponding log device, and d0 is the trans device that you want to create for UFS logging. Enter **metainit d0 -t vpath1d vpath1e** and press **Enter**.
6. Create mount points for each UFS logging file system that you have created using steps 3 and 5.
7. Install the file systems into the /etc/vfstab directory, specifying /dev/md/(r)dsk/d<metadevice number> for the raw and block devices. Set the **mount at boot** field to **yes**.
8. Restart your system.

Installing vpath on a system that already has transactional volume for UFS logging in place

Perform the following steps if you already have UFS logging file systems residing on a multiport subsystem and you want to use vpath partitions instead of sd partitions to access them.

1. Make a list of the DiskSuite metatrans devices for all existing UFS logging file systems by looking in the /etc/vfstab directory. Make sure that all configured metatrans devices are set up correctly in the md.tab file. If the devices are not set up now, set them up before continuing. Save a copy of the md.tab file.
2. Match the device names found in step 1 with sd device link names (files named /dev/(r)dsk/cntndnsn) using the **metastat** command.
3. Install SDD using the procedure in the “Installing SDD” on page 284 section, if you have not already done so.
4. Match the sd device link names found in step 2 with SDD vpath device link names (files named /dev/(r)dsk/vpathNs) by executing the **/opt/IBMsdd/bin/showvpath** command.
5. Unmount all current UFS logging file systems known to reside on the multiport subsystem using the **umount** command.
6. Enter **metaclear -a** and press **Enter**.
7. Create new metatrans devices from the vpathNs partitions found in step 4 corresponding to the sd device links found in step 2. Remember that vpath

partitions a - h correspond to sd slices 0 - 7. Use the **metainit d <metadevice number> -t <"vpathNs" - master device> <"vpathNs" - logging device>** command. Be sure to use the same metadevice numbering as you originally used with the sd partitions. Edit the md.tab file to change each metatrans device entry to use vpathNs devices.

8. Restart the system.

Note: If there is a problem with a metatrans device after steps 7 and 8, restore the original md.tab file and restart the system. Review your steps and try again.

Chapter 8. Using SDD on a Windows NT host system

Attention:

SDD does not support Windows NT for systems attached to DS8000 or DS6000 devices.

This chapter provides procedures for you to install, configure, remove, and use the SDD on a Windows NT host system that is attached to an ESS device. For updated and additional information that is not included in this chapter, see the Readme file on the CD-ROM or visit the SDD Web site at:

www.ibm.com/servers/storage/support/software/sdd

Click **Subsystem Device Driver**.

Verifying the hardware and software requirements

You must install the following hardware and software components to ensure that SDD installs and operates successfully.

Hardware

The following hardware components are needed:

- One or more supported storage devices
- Host system
- For ESS devices: SCSI adapters and cables
- Fibre-channel adapters and cables

Software

The following software components are needed:

- Windows NT 4.0 operating system with Service Pack 6A or later
- For ESS devices: SCSI device drivers
- Fibre-channel device drivers

Unsupported environments

SDD does not support the following environments:

- A host system with both a SCSI channel and fibre-channel connection to a shared LUN.
- SDD does not support I/O load balancing in a Windows NT clustering environment.
- You cannot store the Windows NT operating system or a paging file on an SDD-controlled multipath device (that is, SDD does not support boot from ESS device).
- Single-path mode during concurrent download of licensed machine code nor during any ESS concurrent maintenance that impacts the path attachment, such as an ESS host-bay-adapter replacement.

ESS requirements

To successfully install SDD, ensure that your host system is configured to the ESS as an Intel processor-based PC server with Windows NT 4.0 Service Pack 6A (or later) installed.

Host system requirements

To successfully install SDD, your Windows NT host system must be an Intel processor-based system with Windows NT Version 4.0 Service Pack 6A or higher installed.

To install all components, you must have 1 MB (MB equals approximately 1 000 000 bytes) of disk space available.

The host system can be a uniprocessor or a multiprocessor system.

SCSI requirements

To use the SDD SCSI support on ESS devices, ensure that your host system meets the following requirements:

- No more than 32 SCSI adapters are attached.
- A SCSI cable connects each SCSI host adapter to an ESS port.
- If you need the SDD I/O load-balancing and failover features, ensure that a minimum of two SCSI adapters are installed.

Note: SDD also supports one SCSI adapter on the host system. With single-path access, concurrent download of licensed machine code is supported with SCSI devices. However, the load-balancing and failover features are not available.

- For information about the SCSI adapters that can attach to your Windows NT host system, go to the following Web site:

www.ibm.com/storage/hardsoft/products/ess/supserver.htm

Fibre-channel requirements

To use the SDD fibre-channel support, ensure that your host system meets the following requirements:

- No more than 32 fibre-channel adapters are attached.
- A fiber-optic cable connects each fibre-channel adapter to an supported storage device port.
- If you need the SDD I/O load-balancing and failover features, ensure that a minimum of two fibre-channel paths are configured between the host and the subsystem.

Note: If your host has only one fibre-channel adapter, it requires you to connect through a switch to multiple supported storage device ports. SDD requires a minimum of two independent paths that share the same logical unit to use the load-balancing and path-failover-protection features.

For information about the fibre-channel adapters that can attach to your Windows NT host system, go to the following Web site:

www.ibm.com/storage/hardsoft/products/ess/supserver.htm

Preparing for SDD installation

Before you install SDD, you must configure the supported storage device to your host system and the required fibre-channel adapters that are attached.

Configuring the ESS

Before you install SDD, configure the ESS for single-port or multiport access for each LUN. SDD requires a minimum of two independent paths that share the same LUN to use the load-balancing and failover features. **With a single path, failover protection is not provided.**

For information about configuring ESS, refer to the *IBM TotalStorage Enterprise Storage Server: Introduction and Planning Guide*.

Configuring fibre-channel adapters

You must configure the fibre-channel adapters that are attached to your Windows NT host system before you install SDD. Follow the adapter-specific configuration instructions to configure the adapters attached to your Windows NT host systems.

SDD supports Emulex adapters with full port driver only. When you configure the Emulex adapter for multipath functions, select **Allow Multiple paths to SCSI Targets** in the Emulex Configuration Tool panel.

Make sure that your Windows NT host system has Service Pack 6A or higher. Refer to the *IBM TotalStorage Enterprise Storage Server: Host Systems Attachment Guide* for more information about installing and configuring fibre-channel adapters for your Windows NT host systems.

Configuring SCSI adapters for ESS devices

Attention: Failure to disable the BIOS of attached nonstart devices might cause your system to attempt to start from an unexpected nonstart device.

Before you install and use SDD, you must configure your SCSI adapters. For SCSI adapters that attach start devices, ensure that the BIOS for the adapter is *enabled*. For all other adapters that attach nonstart devices, ensure that the BIOS for the adapter is *disabled*.

Note: When the adapter shares the SCSI bus with other adapters, the BIOS must be disabled.

SCSI adapters are not supported on DS8000 or DS6000 devices.

Installing SDD

These sections describe how to install SDD.

First-time installation

This section describes how to install SDD. Make sure that all hardware and software requirements are met before you install the Subsystem Device Driver. See “Verifying the hardware and software requirements” on page 319 for more information.

Perform the following steps to install the SDD filter and application programs on your system:

1. Log on as the administrator user.
2. Insert the SDD installation compact disc into the CD-ROM drive.
3. Start the Windows NT Explorer program.
4. Double-click the CD-ROM drive. A list of all the installed directories on the compact disc is displayed.
5. Double-click the \winNt\IBMsdd directory.
6. Run the setup.exe program. The Installshield program starts.
7. Click **Next**. The Software License agreement is displayed.
8. Select **I accept the terms in the License Agreement** and then click **Next**. The User Information window opens.
9. Type your name and your company name.
10. Click **Next**. The Choose Destination Location window opens.
11. Click **Next**. The Setup Type window opens.
12. Select the type of setup that you prefer from the following setup choices.
 - Complete** (recommended)
Selects all options.
 - Custom**
Select the options that you need.
13. Click **Next**. The Ready to Install The Program window opens.
14. Click **Install**. The Installshield Wizard Completed window opens.
15. Click **Finish**. The Installation program prompts you to restart your computer.
16. Click **Yes** to start your computer again. When you log on again, you see a **Subsystem Device Driver Management** entry in your Program menu containing the following files:
 - a. Subsystem Device Driver Management
 - b. Subsystem Device Driver manual
 - c. README

Note: You can use the **datapath query device** command to verify the SDD installation. SDD is successfully installed if the command runs successfully.

Upgrading SDD

If you attempt to install *over* an existing version of SDD, the installation fails. You must uninstall any previous version of the SDD before installing a new version of SDD.

Attention: After uninstalling the previous version, you must *immediately* install the new version of SDD to avoid any potential data loss. If you perform a system restart before installing the new version, you might lose access to your assigned volumes.

Perform the following steps to upgrade to a newer SDD version:

1. Uninstall the previous version of SDD. (See “Uninstalling SDD” on page 315 for instructions.)
2. Install the new version of SDD. (See “Installing SDD” on page 307 for instructions.)

Displaying the current version of SDD

You can display the current SDD version on a Windows NT host system by viewing the `sddpath.sys` file properties. Perform the following steps to view the properties of the `sddpath.sys` file:

1. Click **Start** → **Programs** → **Accessories** → **Windows Explorer**. Windows will open Windows Explorer.
2. In Windows Explorer, go to the `%SystemRoot%\system32\drivers` directory, where `%SystemRoot%` is:
`%SystemDrive%\winnt` for Windows NT.
If Windows is installed on the C: drive, `%SystemDrive%` is C:. If Windows is installed on E: drive, `%SystemDrive%` is E:
3. Right-click the `sddpath.sys` file and then click **Properties**. The **sddpath.sys** properties window opens.
4. In the `sddpath.sys` properties window, click **Version**. The file version and copyright information about the `sddpath.sys` file is displayed.

Configuring SDD

To activate SDD, you need to restart your Windows NT system after it is installed. In fact, a restart is required to activate multipath support whenever a new file system or partition is added.

Adding paths to SDD devices

Attention: Ensure that SDD is installed *before* you add a new path to a device. Otherwise, the Windows NT server could lose the ability to access existing data on that device.

This section contains the procedures for adding paths to SDD devices in multipath environments.

Reviewing the existing SDD configuration information

Before adding any additional hardware, review the configuration information for the adapters and devices currently on your Windows NT server.

Verify that the number of adapters and the number of paths to each supported storage device volume match the known configuration. Perform the following steps to display information about the adapters and devices:

1. Click **Start** → **Program** → **Subsystem Device Driver** → **Subsystem Device Driver Management**. An MS-DOS window opens.
2. Enter **datapath query adapter** and press **Enter**. The output includes information about all the installed adapters. In the example shown in the following output, one host bus adapter has 10 active paths:

```
Active Adapters :1
```

Adpt#	Adapter Name	State	Mode	Select	Errors	Paths	Active
0	Scsi Port6 Bus0	NORMAL	ACTIVE	542	0	10	10

3. Enter **datapath query device** and press **Enter**. In the following example, SDD displays 10 devices. There are five physical drives, and one partition has been assigned on each drive for this configuration. Each SDD device reflects a

partition that has been created for a physical drive. Partition 0 stores information about the drive. The operating system masks this partition from the user, but it still exists.

Note: In a standalone environment, the policy field is optimized. In a cluster environment, the policy field is changed to reserved when a LUN becomes a cluster resource.

Total Devices : 10

DEV#: 0 DEVICE NAME: Disk2 Part0 TYPE: 2105E20 POLICY: OPTIMIZED
SERIAL: 02B12028

```
=====
Path#          Adapter/Hard Disk      State   Mode   Select  Errors
  0      Scsi Port6 Bus0/Disk2 Part0  OPEN   NORMAL  14      0
```

DEV#: 1 DEVICE NAME: Disk2 Part1 TYPE: 2105E20 POLICY: OPTIMIZED
SERIAL: 02B12028

```
=====
Path#          Adapter/Hard Disk      State   Mode   Select  Errors
  0      Scsi Port6 Bus0/Disk2 Part1  OPEN   NORMAL  94      0
```

DEV#: 2 DEVICE NAME: Disk3 Part0 TYPE: 2105E20 POLICY: OPTIMIZED
SERIAL: 02C12028

```
=====
Path#          Adapter/Hard Disk      State   Mode   Select  Errors
  0      Scsi Port6 Bus0/Disk3 Part0  OPEN   NORMAL  16      0
```

DEV#: 3 DEVICE NAME: Disk3 Part1 TYPE: 2105E20 POLICY: OPTIMIZED
SERIAL: 02C12028

```
=====
Path#          Adapter/Hard Disk      State   Mode   Select  Errors
  0      Scsi Port6 Bus0/Disk3 Part1  OPEN   NORMAL  94      0
```

DEV#: 4 DEVICE NAME: Disk4 Part0 TYPE: 2105E20 POLICY: OPTIMIZED
SERIAL: 02D12028

```
=====
Path#          Adapter/Hard Disk      State   Mode   Select  Errors
  0      Scsi Port6 Bus0/Disk4 Part0  OPEN   NORMAL  14      0
```

DEV#: 5 DEVICE NAME: Disk4 Part1 TYPE: 2105E20 POLICY: OPTIMIZED
SERIAL: 02D22028

```
=====
Path#          Adapter/Hard Disk      State   Mode   Select  Errors
  0      Scsi Port6 Bus0/Disk4 Part1  OPEN   NORMAL  94      0
```

DEV#: 6 DEVICE NAME: Disk5 Part0 TYPE: 2105E20 POLICY: OPTIMIZED
SERIAL: 02E12028

```
=====
Path#          Adapter/Hard Disk      State   Mode   Select  Errors
  0      Scsi Port6 Bus0/Disk5 Part0  OPEN   NORMAL  14      0
```

DEV#: 7 DEVICE NAME: Disk5 Part1 TYPE: 2105E20 POLICY: OPTIMIZED
SERIAL: 02E12028

```
=====
Path#          Adapter/Hard Disk      State   Mode   Select  Errors
  0      Scsi Port6 Bus0/Disk5 Part1  OPEN   NORMAL  94      0
```

DEV#: 8 DEVICE NAME: Disk6 Part0 TYPE: 2105E20 POLICY: OPTIMIZED
SERIAL: 02F12028

```
=====
Path#          Adapter/Hard Disk      State   Mode   Select  Errors
  0      Scsi Port6 Bus0/Disk6 Part0  OPEN   NORMAL  14      0
```

```
DEV#: 9 DEVICE NAME: Disk6 Part1 TYPE: 2105E20 POLICY: OPTIMIZED
SERIAL: 02F12028
```

```
=====
```

Path#	Adapter/Hard Disk	State	Mode	Select	Errors
0	Scsi Port6 Bus0/Disk6 Part1	OPEN	NORMAL	94	0

Installing and configuring additional paths

Perform the following steps to install and configure additional paths:

1. Install any additional hardware on the Windows NT server.
2. Install any additional hardware on the supported storage device.
3. Configure the new paths to the server.
4. Restart the Windows NT server. Restarting will ensure correct multipath access to both existing and new storage and to your Windows NT server.
5. Verify that the path is added correctly. See "Verifying additional paths are installed correctly."

Verifying additional paths are installed correctly

After installing additional paths to SDD devices, verify the following conditions:

- All additional paths have been installed correctly.
- The number of adapters and the number of paths to each storage volume match the updated configuration.
- The Windows disk numbers of all primary paths are labeled as path #0.

Perform the following steps to verify that the additional paths have been installed correctly:

1. Click **Start** → **Program** → **Subsystem Device Driver** → **Subsystem Device Driver Management**. An MS-DOS window opens.
2. Type **datapath query adapter** and press **Enter**. The output includes information about any additional adapters that were installed. In the example shown in the following output, an additional path is installed to the previous configuration:

```
Active Adapters :2
```

```
=====
```

Adpt#	Adapter Name	State	Mode	Select	Errors	Paths	Active
0	Scsi Port6 Bus0	NORMAL	ACTIVE	188	0	10	10
1	Scsi Port7 Bus0	NORMAL	ACTIVE	204	0	10	10

3. Type **datapath query device** and press **Enter**. The output includes information about any additional devices that were installed. In the example shown in the following output, the output includes information about the new host bus adapter that was assigned:

```
Total Devices : 10
```

```
DEV#: 0 DEVICE NAME: Disk2 Part0 TYPE: 2105E20 POLICY: OPTIMIZED
SERIAL: 02B12028
```

```
=====
```

Path#	Adapter/Hard Disk	State	Mode	Select	Errors
0	Scsi Port6 Bus0/Disk2 Part0	OPEN	NORMAL	5	0
1	Scsi Port7 Bus0/Disk7 Part0	OPEN	NORMAL	9	0

```
DEV#: 1 DEVICE NAME: Disk2 Part1 TYPE: 2105E20 POLICY: OPTIMIZED
SERIAL: 02B12028
```

```
=====
```

Path#	Adapter/Hard Disk	State	Mode	Select	Errors
0	Scsi Port6 Bus0/Disk2 Part1	OPEN	NORMAL	32	0
1	Scsi Port7 Bus0/Disk7 Part1	OPEN	NORMAL	32	0

```

DEV#: 2 DEVICE NAME: Disk3 Part0 TYPE: 2105E20 POLICY: OPTIMIZED
SERIAL: 02C12028
=====
Path#          Adapter/Hard Disk      State   Mode   Select  Errors
  0   Scsi Port6 Bus0/Disk3 Part0  OPEN   NORMAL    7      0
  1   Scsi Port7 Bus0/Disk8 Part0  OPEN   NORMAL    9      0

DEV#: 3 DEVICE NAME: Disk3 Part1 TYPE: 2105E20 POLICY: OPTIMIZED
SERIAL: 02C22028
=====
Path#          Adapter/Hard Disk      State   Mode   Select  Errors
  0   Scsi Port6 Bus0/Disk3 Part1  OPEN   NORMAL   28      0
  1   Scsi Port7 Bus0/Disk8 Part1  OPEN   NORMAL   36      0

DEV#: 4 DEVICE NAME: Disk4 Part0 TYPE: 2105E20 POLICY: OPTIMIZED
SERIAL: 02D12028
=====
Path#          Adapter/Hard Disk      State   Mode   Select  Errors
  0   Scsi Port6 Bus0/Disk4 Part0  OPEN   NORMAL    8      0
  1   Scsi Port7 Bus0/Disk9 Part0  OPEN   NORMAL    6      0

DEV#: 5 DEVICE NAME: Disk4 Part1 TYPE: 2105E20 POLICY: OPTIMIZED
SERIAL: 02D22028
=====
Path#          Adapter/Hard Disk      State   Mode   Select  Errors
  0   Scsi Port6 Bus0/Disk4 Part1  OPEN   NORMAL   35      0
  1   Scsi Port7 Bus0/Disk9 Part1  OPEN   NORMAL   29      0

DEV#: 6 DEVICE NAME: Disk5 Part0 TYPE: 2105E20 POLICY: OPTIMIZED
SERIAL: 02E12028
=====
Path#          Adapter/Hard Disk      State   Mode   Select  Errors
  0   Scsi Port6 Bus0/Disk5 Part0  OPEN   NORMAL    6      0
  1   Scsi Port7 Bus0/Disk10 Part0  OPEN   NORMAL    8      0

DEV#: 7 DEVICE NAME: Disk5 Part1 TYPE: 2105E20 POLICY: OPTIMIZED
SERIAL: 02E22028
=====
Path#          Adapter/Hard Disk      State   Mode   Select  Errors
  0   Scsi Port6 Bus0/Disk5 Part1  OPEN   NORMAL   24      0
  1   Scsi Port7 Bus0/Disk10 Part1  OPEN   NORMAL   40      0

DEV#: 8 DEVICE NAME: Disk6 Part0 TYPE: 2105E20 POLICY: OPTIMIZED
SERIAL: 02F12028
=====
Path#          Adapter/Hard Disk      State   Mode   Select  Errors
  0   Scsi Port6 Bus0/Disk6 Part0  OPEN   NORMAL    8      0
  1   Scsi Port7 Bus0/Disk11 Part0  OPEN   NORMAL    6      0

DEV#: 9 DEVICE NAME: Disk6 Part1 TYPE: 2105E20 POLICY: OPTIMIZED
SERIAL: 02F22028
=====
Path#          Adapter/Hard Disk      State   Mode   Select  Errors
  0   Scsi Port6 Bus0/Disk6 Part1  OPEN   NORMAL   35      0
  1   Scsi Port7 Bus0/Disk11 Part1  OPEN   NORMAL   29      0

```

The definitive way to identify unique volumes on the storage subsystem is by the serial number displayed. The volume appears at the SCSI level as multiple disks (more properly, Adapter/Bus/ID/LUN), but it is the same volume on the ESS. The previous example shows two paths to each partition (path 0: Scsi Port6 Bus0/Disk2, and path 1: Scsi Port7 Bus0/Disk7).

The example shows partition 0 (Part0) for each of the devices. This partition stores information about the Windows partition on the drive. The operating system masks this partition from the user, but it still exists. In general, you will

see one more partition from the output of the **datapath query device** command than what is being displayed from the Disk Administrator application.

Adding or modifying a multipath storage configuration to the supported storage device

This section contains the procedures for adding new storage to an existing configuration in multipath environments.

Reviewing the existing SDD configuration information

Before adding any additional hardware, review the configuration information for the adapters and devices currently on your Windows NT server.

Verify that the number of adapters and the number of paths to each supported storage device volume match the known configuration. Perform the following steps to display information about the adapters and devices:

1. Click **Start** → **Program** → **Subsystem Device Driver** → **Subsystem Device Driver Management**. An MS-DOS window opens.
2. Enter **datapath query adapter** and press **Enter**. The output includes information about all the installed adapters. In the example shown in the following output, two host bus adapters are installed on the Windows NT host server:

Active Adapters :2

Adpt#	Adapter Name	State	Mode	Select	Errors	Paths	Active
0	Scsi Port6 Bus0	NORMAL	ACTIVE	188	0	10	10
1	Scsi Port7 Bus0	NORMAL	ACTIVE	204	0	10	10

3. Enter **datapath query device** and press **Enter**. In the following example output from an ESS device, four devices are attached to the SCSI path:

Total Devices : 2

DEV#: 0 DEVICE NAME: Disk2 Part0 TYPE: 2105E20 POLICY: OPTIMIZED
SERIAL: 02B12028

Path#	Adapter/Hard Disk	State	Mode	Select	Errors
0	Scsi Port5 Bus0/Disk2 Part0	OPEN	NORMAL	4	0
1	Scsi Port5 Bus0/Disk8 Part0	OPEN	NORMAL	7	0
2	Scsi Port6 Bus0/Disk14 Part0	OPEN	NORMAL	6	0
3	Scsi Port6 Bus0/Disk20 Part0	OPEN	NORMAL	5	0

DEV#: 1 DEVICE NAME: Disk2 Part1 TYPE: 2105E20 POLICY: OPTIMIZED
SERIAL: 02B12028

Path#	Adapter/Hard Disk	State	Mode	Select	Errors
0	Scsi Port5 Bus0/Disk2 Part1	OPEN	NORMAL	14792670	0
1	Scsi Port5 Bus0/Disk8 Part1	OPEN	NORMAL	14799942	0
2	Scsi Port6 Bus0/Disk14 Part1	OPEN	NORMAL	14926972	0
3	Scsi Port6 Bus0/Disk20 Part1	OPEN	NORMAL	14931115	0

Adding new storage to an existing configuration

Perform the following steps to install additional storage:

1. Install any additional hardware to the supported storage device.
2. Configure the new storage to the server.
3. Restart the Windows NT server. Restarting will ensure correct multipath access to both existing and new storage and to your Windows NT server.

- Verify that the new storage is added correctly. See “Verifying that new storage is installed correctly.”

Verifying that new storage is installed correctly

After adding new storage to an existing configuration, you should verify the following conditions:

- The new storage is correctly installed and configured.
- The number of adapters and the number of paths to each ESS volume match the updated configuration.
- The Windows disk numbers of all primary paths are labeled as path #0.

Perform the following steps to verify that the additional storage has been installed correctly:

- Click **Start** → **Program** → **Subsystem Device Driver** → **Subsystem Device Driver Management**. An MS-DOS window opens.
- Enter **datapath query adapter** and press **Enter**. The output includes information about all the installed adapters. In the example shown in the following output, two SCSI adapters are installed on the Windows NT host server:

Active Adapters :2

Adpt#	Adapter Name	State	Mode	Select	Errors	Paths	Active
0	Scsi Port6 Bus0	NORMAL	ACTIVE	295	0	16	16
1	Scsi Port7 Bus0	NORMAL	ACTIVE	329	0	16	16

- Enter **datapath query device** and press **Enter**. The output includes information about any additional devices that were installed. In the following example output from an ESS device, the output includes information about the new devices that were assigned:

Total Devices : 2

DEV#: 0 DEVICE NAME: Disk2 Part0 TYPE: 2105E20 POLICY: OPTIMIZED
SERIAL: 02B12028

Path#	Adapter/Hard Disk	State	Mode	Select	Errors
0	Scsi Port5 Bus0/Disk2 Part0	OPEN	NORMAL	4	0
1	Scsi Port5 Bus0/Disk8 Part0	OPEN	NORMAL	7	0
2	Scsi Port6 Bus0/Disk14 Part0	OPEN	NORMAL	6	0
3	Scsi Port6 Bus0/Disk20 Part0	OPEN	NORMAL	5	0

DEV#: 1 DEVICE NAME: Disk2 Part1 TYPE: 2105E20 POLICY: OPTIMIZED
SERIAL: 02B12028

Path#	Adapter/Hard Disk	State	Mode	Select	Errors
0	Scsi Port5 Bus0/Disk2 Part1	OPEN	NORMAL	14792670	0
1	Scsi Port5 Bus0/Disk8 Part1	OPEN	NORMAL	14799942	0
2	Scsi Port6 Bus0/Disk14 Part1	OPEN	NORMAL	14926972	0
3	Scsi Port6 Bus0/Disk20 Part1	OPEN	NORMAL	14931115	0

The definitive way to identify unique volumes on the ESS device is by the serial number displayed. The volume appears at the SCSI level as multiple disks (more properly, Adapter/Bus/ID/LUN), but it is the same volume on the ESS. The previous example shows two paths to each partition (path 0: Scsi Port6 Bus0/Disk2, and path 1: Scsi Port7 Bus0/Disk10).

The example shows partition 0 (Part0) for each device. This partition stores information about the Windows partition on the drive. The operating system masks this partition from the user, but it still exists. In general, you will see one

more partition from the output of the **datapath query device** command than what is being displayed in the Disk Administrator application.

Uninstalling SDD

Perform the following steps to uninstall SDD on a Windows NT host system:

1. Log on as the administrator user.
2. Click **Start** → **Settings** → **Control Panel**. The Control Panel window opens.
3. Double-click **Add/Remove Programs**. The Add/Remove Programs window opens.
4. In the Add/Remove Programs window, select Subsystem Device Driver from the Currently installed programs selection list.
5. Click **Add/Remove**.

Attention:

- After uninstalling the previous version, you must **immediately install** the new version of SDD to avoid any potential data loss. (See “Installing SDD” on page 307 for instructions.)
- If you perform a system restart and accidentally overwrite the disk signature, you may permanently lose access to your assigned volume. If you do not plan to install the new version of SDD immediately, you need to remove the multipath access to your shared volume. For additional information, refer to the *Multiple-Path Software May Cause Disk Signature to Change* Microsoft article (Knowledge Base Article Number Q293778). This article can be found at the following Web site:

<http://support.microsoft.com>

Using high-availability clustering on an ESS

The following items are required to support the Windows NT operating system on an ESS in a clustering environment:

- SDD 1.2.1 or later
- Windows NT 4.0 Enterprise Edition with Service Pack 6A
- Microsoft hotfix Q305638 for the clustering environment

Note: SDD does not support I/O load balancing in a Windows NT clustering environment.

Special considerations in the high-availability clustering environment

There are subtle differences in the way that SDD handles path reclamation in a Windows NT clustering environment compared to a nonclustering environment. When the Windows NT server loses a path in a nonclustering environment, the path condition changes from open to dead and the adapter condition changes from active to degraded. The adapter and path condition will not change until the path is made operational again. When the Windows NT server loses a path in a clustering environment, the path condition changes from open to dead and the adapter condition changes from active to degraded. However, after a period of time, the path condition changes back to open and the adapter condition changes back to normal, even if the path has not been made operational again.

The **datapath set adapter # offline** command operates differently in a clustering environment as compared to a nonclustering environment. In a clustering environment, the **datapath set adapter offline** command does not change the

condition of the path if the path is active or being reserved. If you issue the command, the following message is displayed: to preserve access some paths left online.

Configuring a Windows NT cluster with SDD installed

The following variables are used in this procedure:

server_1 represents the first server with two host bus adapters (HBAs).

server_2 represents the second server with two HBAs.

hba_a represents the first HBA for *server_1*.

hba_b represents the second HBA for *server_1*.

hba_c represents the first HBA for *server_2*.

hba_d represents the second HBA for *server_2*.

Perform the following steps to configure a Windows NT cluster with SDD:

1. Configure LUNs on the ESS as shared for all HBAs on both *server_1* and *server_2*.
2. Connect *hba_a* to the ESS, and restart *server_1*.
3. Click **Start** → **Programs** → **Administrative Tools** → **Disk Administrator**. The Disk Administrator is displayed. Use the Disk Administrator to verify the number of LUNs that are connected to *server_1*.
The operating system recognizes each additional path to the same LUN as a device.
4. Disconnect *hba_a* and connect *hba_b* to the ESS. Restart *server_1*.
5. Click **Start** → **Programs** → **Administrative Tools** → **Disk Administrator**. The Disk Administrator is displayed. Use the Disk Administrator to verify the number of LUNs that are connected to *server_1*.
If the number of LUNs that are connected to *server_1* is correct, proceed to 6.
If the number of LUNs that are connected to *server_1* is incorrect, perform the following steps:
 - a. Verify that the cable for *hba_b* is connected to the ESS.
 - b. Verify that your LUN configuration on the ESS is correct.
 - c. Repeat steps 2 - 5.
6. Install SDD on *server_1*, and restart *server_1*.
For installation instructions, go to "Installing SDD" on page 307.
7. Connect *hba_c* to the ESS, and restart *server_2*.
8. Click **Start** → **Programs** → **Administrative Tools** → **Disk Administrator**. The Disk Administrator is displayed. Use the Disk Administrator to verify the number of LUNs that are connected to *server_2*.
The operating system recognizes each additional path to the same LUN as a device.
9. Disconnect *hba_c* and connect *hba_d* to the ESS. Restart *server_2*.
10. Click **Start** → **Programs** → **Administrative Tools** → **Disk Administrator**. The Disk Administrator is displayed. Use the Disk Administrator to verify that the correct number of LUNs are connected to *server_2*.

If the number of LUNs that are connected to *server_2* is correct, proceed to 11.

If the number of LUNs that are connected to *server_2* is incorrect, perform the following steps:

- a. Verify that the cable for *hba_d* is connected to the ESS.
 - b. Verify your LUN configuration on the ESS.
 - c. Repeat steps 7 on page 316 - 10 on page 316.
11. Install SDD on *server_2*, and restart *server_2*.
For installation instructions, go to “Installing SDD” on page 307.
 12. Connect both *hba_c* and *hba_d* on *server_2* to the ESS, and restart *server_2*.
 13. Use the **datapath query adapter** and **datapath query device** commands to verify the number of LUNs and paths on *server_2*.
 14. Click **Start** → **Programs** → **Administrative Tools** → **Disk Administrator**. The Disk Administrator is displayed. Use the Disk Administrator to verify the number of LUNs as online devices. You also need to verify that all additional paths are shown as offline devices.
 15. Format the raw devices with NTFS.
Make sure to keep track of the assigned drive letters on *server_2*.
 16. Connect both *hba_a* and *hba_b* on *server_1* to the ESS, and restart *server_1*.
 17. Use the **datapath query adapter** and **datapath query device** commands to verify the correct number of LUNs and paths on *server_1*.
Verify that the assigned drive letters on *server_1* match the assigned drive letters on *server_2*.
 18. Restart *server_2*.
 - Install the Microsoft Cluster Server (MSCS) software on *server_1*. When *server_1* is up, install Service Pack 6A (or later) to *server_1*, and restart *server_1*. Then install hotfix Q305638 and restart *server_1* again.
 - Install the MSCS software on *server_2*. When *server_2* is up, install Service Pack 6A (or later) to *server_2*, and restart *server_2*. Then install hotfix Q305638 and restart *server_2* again.
 19. Use the **datapath query adapter** and **datapath query device** commands to verify the correct number of LUNs and paths on *server_1* and *server_2*. (This step is optional.)

Note: You can use the **datapath query adapter** and **datapath query device** commands to show all the physical volumes and logical volumes for the host server. The secondary server shows only the physical volumes and the logical volumes that it owns.

Making the MoveGroup Service startup type automatic

The MoveGroup Service is shipped with Windows NT 1.3.4.4 or later to enable access to the cluster resources when a movegroup is performed and the primary path is disabled in a cluster environment.

The default startup type of MoveGroup Service is manual. To activate this change, the startup type needs to be automatic. You can change the startup type to automatic as follows:

1. Click **Start** → **Settings** → **Control Panel** → **Services** → **SDD MoveGroup Service**.
2. Change Startup type to **Automatic**.
3. Click **OK**.

After the startup type of MoveGroup Service is changed to Automatic, a movegroup of all cluster resources will be performed when a node of the NT cluster is restarted.

Note: The startup type of the MoveGroup Service should be the same for both cluster nodes.

SDD server daemon

The SDD server (also referred to as *sddsrv*) is an integrated component of SDD 1.3.4.x (or later). This component consists of a Windows application daemon that is installed in addition to the SDD device driver. See Chapter 12, “Using the SDD server and the SDDPCM server,” on page 367 for more information about *sddsrv*.

Verifying that the SDD server has started

After you have installed SDD, verify that the SDD server (*sddsrv*) has automatically started:

1. Click **Start** → **Settings** → **Control Panel**.
2. Double-click **Services**.
3. Look for **SDD_Service**.

The status of **SDD_Service** should be *Started* if the SDD server has automatically started.

Starting the SDD server manually

If the SDD server did not start automatically after you performed the SDD installation, you can start *sddsrv*:

1. Click **Start** → **Settings** → **Control Panel**.
2. Double-click **Services**.
3. Select **SDD_Service**.
4. Click **Start**.

Changing to a different port number for the SDD server

To change to a different port number for the SDD server, see “Changing the *sddsrv* or *pcmsrv* TCP/IP port number” on page 369.

Stopping the SDD server

You can stop the SDD server by performing the following steps:

- Click **Start** → **Settings** → **Control Panel**.
- Double-click **Services**.
- Select **SDD_Service**.
- Click **Stop**.

Chapter 9. Using SDD on a Windows 2000 host system

This chapter provides procedures for you to install, configure, remove, and use the SDD on a Windows 2000 host system that is attached to a supported storage device.

For updated and additional information not included in this chapter, see the Readme file on the CD-ROM or visit the SDD Web site at:

www.ibm.com/servers/storage/support/software/sdd

Verifying the hardware and software requirements

You must have the following hardware and software components in order to install SDD:

Hardware

The following hardware components are needed:

- One or more supported storage devices
- Host system
- SCSI adapters and cables (ESS)
- Fibre-channel adapters and cables

Software

The following software components are needed:

- Windows 2000 operating system with Service Pack 4

Note: SAN File System might have different Service Pack requirements. Consult the documentation shown in Table 4 on page xxvi for Windows 2000 requirements.

- SCSI device drivers (ESS devices)
- Fibre-channel device drivers

Unsupported environments

SDD does not support the following environments:

- DS8000 and DS6000 devices do not support SCSI connectivity.
- A host system with both a SCSI channel and a fibre-channel connection to a shared LUN.
- Single-path mode during concurrent download of licensed machine code nor during any ESS-concurrent maintenance that impacts the path attachment, such as an ESS host-bay-adaptor replacement.
- Support of HBA Symbios SYM8751D has been withdrawn starting with ESS Model 800 and SDD 1.3.3.3.

Supported storage device requirements

To successfully install SDD:

Ensure that the supported storage devices are configured as an:

- IBM 2105xxx, for ESS devices
- IBM 2107xxx, for DS8000 devices
- IBM 1750xxx, for DS6000 devices

- IBM 2145, for SAN Volume Controller

where xxx represents the disk storage system model number.

To successfully install SDD on your virtualization product, ensure that you configure the virtualization product devices as fibre-channel devices attached to the virtualization product on your Windows 2000 host system.

Host system requirements

To successfully install SDD, your Windows 2000 host system must be an Intel-based system with Windows 2000 Service Pack 4 installed. The host system can be a uniprocessor or a multiprocessor system.

To install all components, you must have at least 1 MB (MB equals approximately 1 000 000 bytes) of disk space available on the drive where Windows 2000 is installed.

SCSI is not supported on SAN Volume Controller, DS8000, or DS6000.

To use the SDD SCSI support, ensure that your host system meets the following requirements:

- No more than 32 SCSI adapters are attached.
- A SCSI cable connects each SCSI host adapter to an ESS port.
- If you need the SDD I/O load-balancing and failover features, ensure that a minimum of two independent paths are configured between the host and the subsystem.

Note: SDD also supports one SCSI adapter on the host system. With single-path access, concurrent download of licensed machine code is supported with SCSI devices. However, the load-balancing and failover features are not available.

- For information about the SCSI adapters that can attach to your Windows 2000 host system, go to the following Web site:

www.ibm.com/storage/hardsoft/products/ess/supserver.htm

Fibre-channel requirements

To use the SDD fibre-channel support, ensure that your host system meets the following requirements:

- Depending on the fabric and supported storage configuration, the number of fibre-channel adapters attached should be less than or equal to $32 / (n * m)$, where n is the number of supported storage ports and m is the number of paths that have access to the supported storage device from the fabric.
- A fiber-optic cable connects each fibre-channel adapter to a supported storage port or a fabric.
- If you need the SDD I/O load-balancing and failover features, ensure that a minimum of two independent fibre-channel paths are installed.

Note: You should have at least two fibre-channel adapters to prevent data loss due to adapter hardware failure.

For information about the fibre-channel adapters that can attach to your Windows 2000 host system, go to the following Web site at: www.ibm.com/storage/hardsoft/products/ess/supserver.htm

Preparing for SDD installation

Before installing SDD, you must:

1. Ensure that all hardware and software requirements are met before you install SDD. See “Verifying the hardware and software requirements” on page 319 for more information.
2. Configure the supported storage device to your host system. See “Configuring the supported storage device” for more information.
3. Configure the fibre-channel adapters that are attached to your Windows 2000 host system. See “Configuring fibre-channel adapters” for more information.
4. Configure the SCSI adapters that are attached to your Windows 2000 host system. See “Configuring SCSI adapters for ESS devices” for more information.

Configuring the supported storage device

Before you install SDD, configure your supported storage device for single-port or multiport access for each LUN. SDD requires a minimum of two independent paths that share the same logical unit to use the load-balancing and failover features.

For information about configuring your supported storage device, refer to the Introduction and Planning Guide or Configuration Guide for your product.

Configuring fibre-channel adapters

You must configure the fibre-channel adapters that are attached to your Windows 2000 host system before you install SDD. Follow the adapter-specific configuration instructions to configure the adapters attached to your Windows 2000 host systems. To get the latest recommendation for host adapter settings for ESS disk storage system, refer to the Enterprise Storage Server interoperability matrix at the following Web site:

www.ibm.com/storage/disk/ess/supserver.htm

To get the latest recommendation for host adapter settings for the SAN Volume Controller, refer to the *IBM System Storage Virtualization Family: SAN Volume Controller Host Systems Attachment Guide* and the following Web site:

www.ibm.com/storage/support/2145/

To get the latest recommendation for host adapter settings for DS disk storage system, refer to the HBA interoperability search tool at the following Web site:

<http://www-03.ibm.com/servers/storage/support/config/hba/index.wss> .

Note: SDD supports the Emulex HBA with full-port driver. When you configure the Emulex HBA for multipath functions, select **Allow Multiple Paths to SCSI Targets** in the Emulex Configuration Tool panel.

Configuring SCSI adapters for ESS devices

Attention: Failure to disable the BIOS of attached nonstart devices may cause your system to attempt to restart from an unexpected nonstart device.

Before you install and use SDD, you must configure your SCSI adapters. For SCSI adapters that are attached to start devices, ensure that the BIOS for the adapter is enabled. For all other adapters that are attached to nonstart devices, ensure that the BIOS for the adapter is disabled.

Note: When the adapter shares the SCSI bus with other adapters, the BIOS must be disabled.

Installing SDD

The following section describes how to install SDD on your system.

First-time installation

Attention: Ensure that there is single-path connection from the system to the storage device without SDD. Ensure that SDD is installed *before* adding additional paths to a device. Otherwise, the Windows 2000 server could lose the ability to access existing data on that device.

Perform the following steps to install SDD on your system:

1. Log on as the administrator user.
2. To install from CD-ROM:
 - a. Insert the SDD installation CD-ROM into the selected drive.
 - b. Start the Windows 2000 Explorer program.
 - c. Double-click the CD-ROM drive. A list of all the installed directories on the compact disc is displayed.
 - d. Double-click the \win2k\IBMsdd directory.
3. To download code from the SDD Web site:
 - a. Unzip the SDD code to your installation subdirectory.
 - b. Execute the setup.exe program. **Tip:** The setup.exe program offers the following command line options for silent install:

```
--> setup -s : silent install
--> setup -s -n : silent install; no reboot (requires SDD 1.6.0.4 or later)
```
4. When the setup.exe program is finished, you will be asked if you want to reboot. If you answer **y**, the setup.exe program will restart your Windows 2000 system immediately. Follow the instructions to restart. Otherwise the setup.exe program exits, and you need to manually restart your Windows 2000 system to activate the new installation.
5. Shut down your Windows 2000 host system.
6. Reconnect all cables that connect the host bus adapters and the supported storage devices if needed.
7. Change any zoning information that needs to be updated.
8. Restart your Windows 2000 host system.

After completing the installation procedures and when you log on again, your Program menu will include a **Subsystem Device Driver** entry containing the following selections:

1. Subsystem Device Driver management
2. SDD Technical Support Web site
3. README

Notes:

1. You can verify that SDD has been successfully installed by issuing the **datapath query device** command. If the command executes, SDD is installed. The **datapath** command must be issued from the datapath directory.

You can also use the following operation to verify that SDD has been successfully installed:

- a. Click **Start** → **Programs** → **Administrative Tools** → **Computer Management**.
- b. Double-click **Device Manager**.
- c. Expand **Disk drives** in the right pane. IBM 2105xxx SDD Disk Device: indicates ESS devices connected to Windows 2000 host.

Figure 5 shows six ESS devices connected to the host and four paths to each of the disk storage system devices. The Device manager shows six IBM 2105xxx SDD Disk Devices and 24 IBM 2105xxx SCSI Disk Devices.

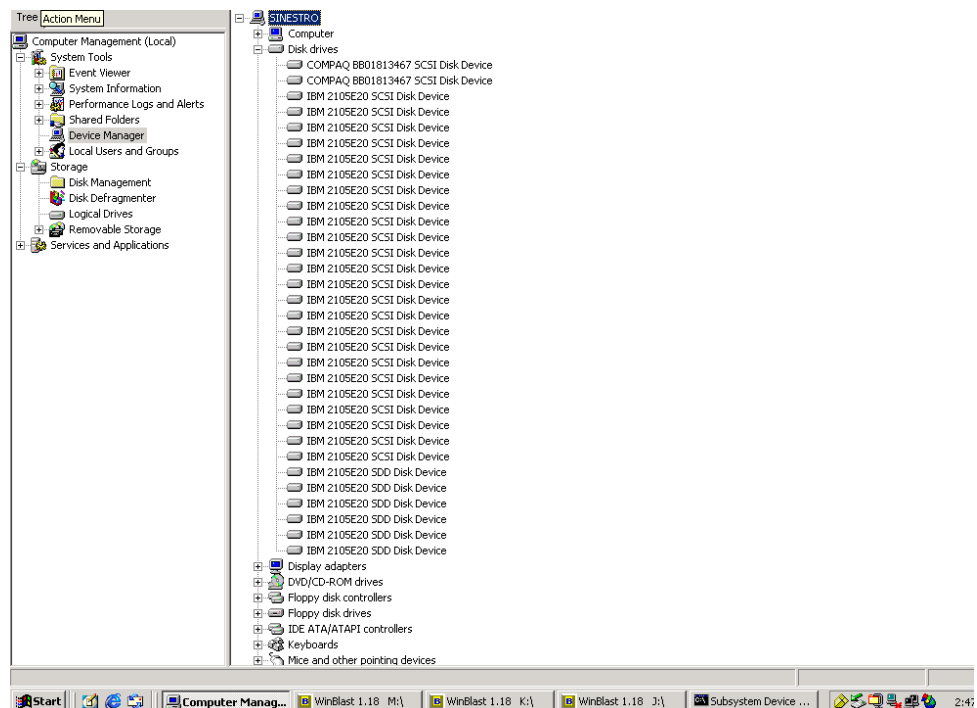


Figure 5. Example showing ESS devices to the host and path access to the ESS devices in a successful SDD installation on a Windows 2000 host system

2. You can also verify the current version of SDD. For more information, go to “datapath query version” on page 389.

Upgrading SDD

Perform the following steps to upgrade SDD on your host system:

1. Log on as the administrator user.
2. To upgrade from CD-ROM:
 - a. Insert the SDD installation CD-ROM into the selected drive.
 - b. Start the Windows 2000 Explorer program.

- c. Double-click the CD-ROM drive. A list of all the installed directories on the compact disc is displayed.
 - d. Double-click the \win2k\IBMsdd directory.
3. To download code from the SDD web site:
 - a. Unzip the SDD code to your installation subdirectory
 - b. Execute the setup.exe program. **Tip:** The setup program provides the following command-line options for silent install/upgrade:


```
--> setup -s : silent install/upgrade
--> setup -s -n : silent install/upgrade; no reboot (requires SDD 1.6.0.6 or later)
```

If you have previously installed a 1.3.1.1 (or earlier) version of SDD, you will see an "Upgrade?" question while the setup program is running. You should answer **y** to this question to continue the installation. Follow the displayed setup program instructions to complete the installation.

If you currently have SDD 1.3.1.2 or 1.3.2.x installed on your Windows 2000 host system, answer **y** to the "Upgrade?" question.
 4. When the setup program is finished, you will be asked if you want to reboot. If you answer **y**, the setup program restarts your Windows 2000 system immediately. Follow the instructions to restart. Otherwise the setup program exits, and you need to manually restart your Windows 2000 system to activate the new installation

Notes:

1. You can verify that SDD has been successfully installed by issuing the **datapath query device** command. If the command executes, SDD is installed.
2. You can also verify the current version of SDD. See "Displaying the current version of SDD."

Displaying the current version of SDD

There are two ways to display the current version of SDD on a Windows 2000 host system:

1. By viewing the sddbus.sys file properties

You can display the current version of SDD on a Windows 2000 host system by viewing the sddbus.sys file properties. Perform the following steps to view the properties of sddbus.sys file:

 - a. Click **Start** → **Programs** → **Accessories** → **Windows Explorer** to open Windows Explorer.
 - b. In Windows Explorer, go to the %SystemRoot%\system32\drivers directory, where %SystemRoot% is:


```
%SystemDrive%\winnt
```

 for Windows 2000.

If Windows is installed on the C: drive, %SystemDrive% is C:. If Windows is installed on E: drive, %SystemDrive% is E:
 - c. Right-click the sddbus.sys file, and then click **Properties**. The sddbus.sys properties window opens.
 - d. In the sddbus.sys properties window, click **Version**. The file version and copyright information about the sddbus.sys file is displayed.
2. By running **datapath query version** command (requires SDD 1.6.1.x or later).

Configuring SDD

Use the following sections to configure SDD.

Verifying the configuration

To activate SDD, you need to restart your Windows 2000 system after it is installed.

Attention: Ensure that SDD is installed before you add additional paths to a device. Otherwise, the Windows 2000 server could lose the ability to access existing data on that device.

Before adding any additional hardware, review the configuration information for the adapters and devices currently on your Windows 2000 server. Perform the following steps to display information about the adapters and devices:

1. You must log on as an administrator user to have access to the Windows 2000 Computer Management.
2. Click **Start** → **Program** → **Subsystem Device Driver** → **Subsystem Device Driver Management**. An MS-DOS window opens.
3. Enter **datapath query adapter** and press **Enter**. The output includes information about all the installed adapters. In the example shown in the following output, one host bus adapter is installed:

```
Active Adapters :1
Adpt#   Adapter Name  State   Mode   Select  Errors  Paths  Active
0 Scsi Port4 Bus0  NORMAL  ACTIVE  592    0      6      6
```

4. Enter **datapath query device** and press **Enter**. In the following example showing disk storage system device output, six devices are attached to the SCSI path:

Total Devices : 6

DEV#: 0 DEVICE NAME: Disk1 Part0 TYPE: 2107900 POLICY: OPTIMIZED
SERIAL: 06D23922

```
=====
Path#          Adapter/Hard Disk  State  Mode  Select  Errors
  0          Scsi Port4 Bus0/Disk1 Part0  OPEN  NORMAL  108      0
```

DEV#: 1 DEVICE NAME: Disk2 Part0 TYPE: 2107900 POLICY: OPTIMIZED
SERIAL: 06E23922

```
=====
Path#          Adapter/Hard Disk  State  Mode  Select  Errors
  0          Scsi Port4 Bus0/Disk2 Part0  OPEN  NORMAL   96      0
```

DEV#: 2 DEVICE NAME: Disk3 Part0 TYPE: 2107900 POLICY: OPTIMIZED
SERIAL: 06F23922

```
=====
Path#          Adapter/Hard Disk  State  Mode  Select  Errors
  0          Scsi Port4 Bus0/Disk3 Part0  OPEN  NORMAL   96      0
```

DEV#: 3 DEVICE NAME: Disk4 Part0 TYPE: 2107900 POLICY: OPTIMIZED
SERIAL: 07023922

```
=====
Path#          Adapter/Hard Disk  State  Mode  Select  Errors
  0          Scsi Port4 Bus0/Disk4 Part0  OPEN  NORMAL   94      0
```

DEV#: 4 DEVICE NAME: Disk5 Part0 TYPE: 2107900 POLICY: OPTIMIZED
SERIAL: 07123922

```
=====
Path#          Adapter/Hard Disk  State  Mode  Select  Errors
  0          Scsi Port4 Bus0/Disk5 Part0  OPEN  NORMAL   90      0
```

DEV#: 5 DEVICE NAME: Disk6 Part0 TYPE: 2107900 POLICY: OPTIMIZED
SERIAL: 07223922

```
=====
Path#          Adapter/Hard Disk  State  Mode  Select  Errors
  0          Scsi Port4 Bus0/Disk6 Part0  OPEN  NORMAL   98      0
```

Activating additional paths

Perform the following steps to activate additional paths to an SDD vpath device:

1. Install any additional hardware on the Windows 2000 server or the ESS.
2. Click **Start** → **Program** → **Administrative Tools** → **Computer Management**.
3. Click **Device Manager**.
4. Right-click **Disk drives**.
5. Click **Scan for hardware changes**.
6. Verify that the path is added correctly. See “Verifying that additional paths are installed correctly.”

Verifying that additional paths are installed correctly

After installing additional paths to SDD devices, verify that the additional paths have been installed correctly.

Perform the following steps to verify that the additional paths have been installed correctly:

1. Click **Start** → **Program** → **Subsystem Device Driver** → **Subsystem Device Driver Management**. An MS-DOS window opens.

2. Enter **datapath query adapter** and press **Enter**. The output includes information about any additional adapters that were installed. In the example shown in the following output, an additional host bus adapter has been installed:

```
Active Adapters :2

Adpt#   Adapter Name  State   Mode   Select  Errors  Paths  Active
  0     Scsi Port1 Bus0  NORMAL ACTIVE  1325    0      8      8
  1     Scsi Port2 Bus0  NORMAL ACTIVE  1312    0      8      8
```

3. Enter **datapath query device** and press **Enter**. The output should include information about any additional devices that were installed. In this example, the output includes information about the new host bus adapter that was assigned:

```
Total Devices : 6

DEV#:  0  DEVICE NAME: Disk1 Part0  TYPE: 2107900  POLICY: OPTIMIZED
SERIAL: 06D23922
=====
Path#           Adapter/Hard Disk  State   Mode   Select  Errors
  0     Scsi Port4 Bus0/Disk1 Part0  OPEN  NORMAL   108    0
  1     Scsi Port5 Bus0/Disk1 Part0  OPEN  NORMAL    96    0
=====
DEV#:  1  DEVICE NAME: Disk2 Part0  TYPE: 2107900  POLICY: OPTIMIZED
SERIAL: 06E23922
=====
Path#           Adapter/Hard Disk  State   Mode   Select  Errors
  0     Scsi Port4 Bus0/Disk2 Part0  OPEN  NORMAL    96    0
  1     Scsi Port5 Bus0/Disk2 Part0  OPEN  NORMAL    95    0
=====
DEV#:  2  DEVICE NAME: Disk3 Part0  TYPE: 2107900  POLICY: OPTIMIZED
SERIAL: 06F23922
=====
Path#           Adapter/Hard Disk  State   Mode   Select  Errors
  0     Scsi Port4 Bus0/Disk3 Part0  OPEN  NORMAL    96    0
  1     Scsi Port5 Bus0/Disk3 Part0  OPEN  NORMAL    94    0
=====
DEV#:  3  DEVICE NAME: Disk4 Part0  TYPE: 2107900  POLICY: OPTIMIZED
SERIAL: 07023922
=====
Path#           Adapter/Hard Disk  State   Mode   Select  Errors
  0     Scsi Port4 Bus0/Disk4 Part0  OPEN  NORMAL    94    0
  1     Scsi Port5 Bus0/Disk4 Part0  OPEN  NORMAL    96    0
=====
DEV#:  4  DEVICE NAME: Disk5 Part0  TYPE: 2107900  POLICY: OPTIMIZED
SERIAL: 07123922
=====
Path#           Adapter/Hard Disk  State   Mode   Select  Errors
  0     Scsi Port4 Bus0/Disk5 Part0  OPEN  NORMAL    90    0
  1     Scsi Port5 Bus0/Disk5 Part0  OPEN  NORMAL    99    0
=====
DEV#:  5  DEVICE NAME: Disk6 Part0  TYPE: 2107900  POLICY: OPTIMIZED
SERIAL: 07223922
=====
Path#           Adapter/Hard Disk  State   Mode   Select  Errors
  0     Scsi Port4 Bus0/Disk6 Part0  OPEN  NORMAL    98    0
  1     Scsi Port5 Bus0/Disk6 Part0  OPEN  NORMAL    79    0
```

Uninstalling SDD

Perform the following steps to uninstall SDD on a Windows 2000 host system.

1. Shut down your Windows 2000 host system.

2. Ensure that there is a single-path connection from the system to the storage device.
3. Turn on your Windows 2000 host system.
4. Log on as the administrator user.
5. Click **Start** → **Settings** → **Control Panel**. The Control Panel opens.
6. Double-click **Add/Remove Programs**. The Add/Remove Programs window opens.
7. In the Add/Remove Programs window, select the Subsystem Device Driver from the currently installed programs selection list.
8. Click **Add/Remove**. You will be asked to verify that you want to uninstall SDD.
9. Restart your system.

The SDD setup.exe program provides the following command line options for silent uninstall:

```
--> setup -s -u: silent uninstall
--> setup -s -u -n : silent uninstall; no reboot (requires SDD 1.6.0.6 or later)
```

SAN boot support

Note: Support for remote boot from ESS devices connected to a SCSI adapter is not available.

Refer to the Host Attachment Guide for your supported storage device for additional information.

Booting from a SAN device with Windows 2000 and SDD using Qlogic HBA <BIOS 1.43> or later

For information about how SAN boot works, refer to the Qlogic Web site:

http://www.qlogic.com/documents/datasheets/knowledge_data/whitepapers/boot_from_SAN_pt1.pdf.

Perform the following steps to set up a SAN boot device with SDD:

1. Configure the SAN environment so that both Qlogic HBAs in the host system can see the SAN boot device. Ensure that there is a single-path connection from each Qlogic HBA to the SAN boot device.
2. Turn on the host system with 2 fibre-channel cables connected to both HBAs. When the HBA banner appears, press **CTRL-Q**.
3. Select the first HBA from the displayed list.
4. Select **Configuration Settings**.
5. Select **Host Adapter Settings**.
6. Select **Host Adapter BIOS** and enable it.
7. Press the **Back** key to back up one menu.
8. Select **Selectable Boot Settings**.
9. Under Selectable Boot Settings, enable **Selectable Boot**.
10. Under (Primary) Boot Port Name, LUN, select the IBM device that will be providing the storage for SAN boot. At the Select LUN prompt, select the first supported LUN, which is LUN 0.
11. This returns to the previous screen, which will now have information under (Primary) Boot Port Name, LUN for the device that you selected in the previous step.

12. Press the **Back** key twice to exit the menus. Then select **Save Changes** to save the changes.
13. Select the second HBA and repeat steps 4-12.
14. Unplug the fibre-channel cable from second HBA and plug the fibre-channel cable to the first HBA so that you have a single path from first HBA to the SAN device.
15. Insert the Windows 2000 with latest Service Pack CD-ROM into the CD-ROM drive.
16. Restart the host system.
17. At the very first Windows 2000 installation screen, quickly press **F6** to install third-party device.
18. Select **S** to specify an additional device.
19. Insert the diskette with the Qlogic driver into diskette drive and press **Enter**.
20. Continue with the Windows 2000 installation process. Remember to select the IBM SAN device seen by Qlogic HBA as the device to install Windows 2000. Continue with the OS installation.
21. After Windows 2000 is successfully installed on the SAN boot device, shut down the host system.
22. Unplug the fibre-channel cable from the first HBA and plug the fibre-channel cable to the second HBA so that you have is single connection from the second HBA to the IBM SAN boot device.
23. Restart the host system to boot from SAN.
24. Install the latest SDD version on your host system and reboot.
25. To add multipath support to the SAN boot device, perform the following steps:
 - a. Shut down the host system.
 - b. Configure the SAN to allow additional paths to the SAN boot device if needed.
 - c. Connect all fibre-channel cables.
26. Restart the host system.

Booting from a SAN device with Windows 2000 and SDD using an Emulex HBA <Firmware v3.92a2, v1.90.x5> or later

Note: The **Automatic LUN Mapping** checkbox of the Emulex Configuration Settings should be selected so that both HBA ports can see all assigned LUNs.

Perform the following steps to set up a SAN boot device with Windows 2000 and SDD using an Emulex HBA:

1. Configure the SAN environment so that both Emulex HBAs in the host system can see the SAN boot device. Ensure that there is a single-path connection from each of the Emulex HBA to the SAN boot device.
2. Turn on the host system with 2 fibre-channel cables connected to both HBAs. Press **Alt+E** to go to Emulex BIOS Utilities.
3. Select the first HBA.
4. Select **Configure HBA Parameter Settings**.
5. Select **Option 1** to enable BIOS for this HBA.
6. Press the **Page Up** key to go back. Then select **Configure boot device**.

7. Select the first unused boot device for Select Boot Entry from the List Of Saved Boot Devices.
8. Select 01 for **Select The Two Digit Number Of The Desired Boot Device**.
9. Enter 00 for **Enter Two Digit Of Starting LUNs (hexadecimal)**.
10. Select the device number 01 for **Enter Selection For Starting LUN**.
11. Select **Boot Device Via WWPN**.
12. Page up and select the second HBA. Repeat steps 4-11 to configure boot support for this HBA.
13. Unplug the fibre-channel cable from second HBA and plug the fibre-channel cable to the first HBA so that you have a single path from first HBA to the SAN device.
14. Insert the Windows 2000 with latest Service Pack CD-ROM into the CD-ROM drive.
15. Restart the host system.
16. At the very first Windows 2000 installation screen, quickly press **F6** to install a third-party device.
17. Select **S** to specify an additional device.
18. Insert the diskette with Emulex HBA driver into diskette drive and press **Enter**.
19. Continue with the Windows 2000 installation process. Remember to select the IBM SAN device that is seen by the Emulex HBA as the device to install Windows 2000. Continue with the OS installation.
20. After Windows 2000 is successfully installed on the SAN boot device, shut down the host system.
21. Disconnect the fibre-channel cable from the first HBA. Reconnect the fibre-channel cable to the second HBA. Ensure that there is a single-path connection from second HBA to IBM SAN boot device.
22. Unplug the fibre-channel cable from first HBA and plug the fibre-channel cable to the second HBA so that you have a single path from second HBA to the IBM SAN device.
23. Restart the host system to boot from SAN.
24. Install the latest SDD and reboot.
25. To add multipath support to the SAN boot device, perform the following steps:
 - a. Shut down the host system.
 - b. Configure the SAN to add multipaths to the SAN boot device if needed.
 - c. Reconnect all fibre-channel cables.
26. Restart the host system.

Limitations when booting from a SAN boot device on a Windows 2000 host

The following limitations apply when booting from a SAN boot device on a Windows 2000 host:

1. You cannot use the same HBA as both the SAN boot device and a clustering adapter. This is a Microsoft physical limitation.
2. The following limitations might apply to a host system that is running at a BIOS or Firmware level older than the specified one.
 - a. If you reboot a system with adapters while the primary path is in failed state, you must:
 - 1) Manually disable the BIOS on the first adapter.

- 2) Manually enable the BIOS on the second adapter.
- b. You cannot enable the BIOS for both adapters at the same time. If the BIOS for both adapters is enabled at the same time and there is path failure on the primary adapter, you will receive the error message INACCESSIBLE_BOOT_DEVICE when the system restarts.

Support for Windows 2000 clustering

SDD 1.6.0.0 (or later) is required to support load balancing in Windows 2000 clustering. The following table indicates support by release.

Table 31. Windows 2000 clustering SCSI-2 Reserve/Release and Persistent Reserve/Release support with MSCS

SDD version	SCSI-2 Reserve/Release support with MSCS	Persistent Reserve/Release support with MSCS
SDD 1.5.x.x and earlier	Yes	No
SDD 1.6.0.400	Yes	No
SDD 1.6.0.x and later (except for 1.6.0.400)	No	Yes

When running Windows 2000 clustering, clustering failover might not occur when the last path is being removed from the shared resources. See *Microsoft article Q294173* for additional information. Windows 2000 does not support dynamic disks in the MSCS environment.

Special considerations in the Windows 2000 clustering environment

Note: The adapter goes to DEGRAD state when there are active paths left on the adapter. It goes to FAILED state when there are no active paths.

The **datapath set adapter # offline** command operates differently in a SCSI Reserve/Release support clustering environment when compared to a nonclustering or Persistent Reserve/Release environment. In a SCSI Reserve/Release support clustering environment, the **datapath set adapter offline** command does not change the condition of the path if the path is active or being reserved. If you issue the command, the following message is displayed:

to preserve access some paths left online

Configuring a Windows 2000 cluster with SDD installed

The following variables are used in this procedure:

- server_1* Represents the first server with two host bus adapters (HBAs).
- server_2* Represents the second server with two HBAs.

Perform the following steps to configure a Windows 2000 cluster with SDD:

1. On both *server_1* and *server_2*, configure SAN devices on supported storage as shared for all HBAs .
2. Install the latest SDD on *server_1*. For installation instructions, see “Installing SDD” on page 322.
3. Connect fibre-channel cables from *server_1* to the supported storage device, and restart *server_1*.

4. Use the **datapath query adapter** and **datapath query device** commands to verify the correct number of SAN devices and paths on *server_1*.
5. Click **Start** → **All Programs** → **Administrative Tools** → **Computer Management**. From the Computer Management window, select **Storage** and then select **Disk Management** to work with the storage devices attached to the host system.
6. Format the raw devices with NTFS and assign drive letters for all SAN devices that are going to be used as MSCS resources. Ensure that you keep track of the assigned drive letters on *server_1*.
7. Shut down *server_1*.
8. Install the latest SDD on *server_2*. For installation instructions, see “Installing SDD” on page 322.
9. Connect fibre-channel cables from *server_2* to the supported storage device, and restart **server_2**.
10. Use the **datapath query adapter** and **datapath query device** commands to verify the correct number of SAN devices and paths on *server_2*.
11. Click **Start** → **All Programs** → **Administrative Tools** → **Computer Management**. From the Computer Management window, select **Storage** and then select **Disk Management** to work with the storage devices attached to the host system. Verify that the assigned drive letters for MSCS resources on *server_2* match the assigned drive letters on *server_1*.
12. Insert the Windows 2000 CD-ROM into the CD-ROM drive and install the MSCS software on *server_2*.
13. Restart *server_1*.
14. Insert the Windows 2000 CD-ROM into the CD-ROM drive and install the MSCS software on *server_1* as the second node of the MSCS cluster.

Information about installing a Windows 2000 cluster can be found at:
www.microsoft.com/windows2000/techinfo/planning/server/clustersteps.asp

Upgrading SDD in a two-node cluster environment

Perform the following steps to upgrade SDD in a two-node cluster environment:

1. Move all cluster resources from node A to node B.
2. On node A, follow the instructions from “Upgrading SDD” on page 323.
3. After node A is started, move all resources from node B to node A.
4. On node B, follow the instructions from “Upgrading SDD” on page 323.

Uninstalling SDD in a two-node cluster environment

Use the following steps if you intend to remove the multipathing functions from an supported storage device in a two-node cluster environment.

Perform the following steps to uninstall SDD in a two-node cluster environment:

1. Move all cluster resources from node A to node B.
2. Ensure that there is single-path connection from the system to the storage device, which may include the following activities:
 - a. Disable access of second HBA to the storage device.
 - b. Change the zoning configuration to allow only one port accessed by this host.
 - c. Remove shared access to the second HBA.
 - d. Remove multiple supported storage port access, if applicable.

3. Uninstall SDD. See “Uninstalling SDD” on page 327 for details.
4. Restart your system.
5. Move all cluster resources from node B to node A.
6. Perform steps 2 on page 332 - 5 on node B.

The above procedures can be expanded to upgrade SDD or to uninstall SDD in an n-node cluster environment.

SDD server daemon

The SDD server (also referred to as `sddsrv`) is an integrated component of SDD 1.3.4.1 (or later). This component consists of a Windows application daemon that is installed in addition to the SDD device driver.

Verifying if the SDD server has started

After you have installed SDD, verify if the SDD server (`sddsrv`) has automatically started:

1. Click **Start** → **Programs** → **Administrative Tools** → **Computer Management**.
2. Expand the Services and Applications tree.
3. Click **Services**.
4. Right-click **SDD_Service**.
5. Click **Start**. The status of SDD Service should be *Started* if the SDD server has automatically started.

Starting the SDD server manually

If the SDD server did not start automatically after you performed the SDD installation, you can use the following process to start `sddsrv`:

1. Click **Start** → **Programs** → **Administrative Tools** → **Computer Management**.
2. Expand the Services and Applications tree.
3. Click **Services**.
4. Right-click **SDD_Service**.
5. Click **Start**.

Changing to a different port number for the SDD server

To change to a different port number for the SDD server, see “Changing the `sddsrv` or `pcmsrv` TCP/IP port number” on page 369.

Stopping the SDD server

To stop the SDD server:

1. Click **Start** → **Programs** → **Administrative Tools** → **Computer Management**.
2. Expand the Services and Applications tree.
3. Click **Services**.
4. Right-click **SDD_Service**.
5. Click **Stop**.

Chapter 10. Using SDD on a Windows Server 2003 host system

This chapter provides procedures for you to install, configure, remove, and use the SDD on a Windows Server 2003 host system that is attached to a supported storage device.

SDD supports both 32-bit and 64-bit environments running Windows Server 2003. For the Windows 2003 Server 32-bit environment, install the package from the \win2k3\i386\IBMsdd directory of the SDD CD-ROM. For the Windows 2003 Server 64-bit environment, install the package from the \win2k3\IA64\IBMsdd directory of the SDD CD-ROM.

For updated and additional information that is not included in this chapter, see the Readme file on the CD-ROM or visit the SDD Web site:

www.ibm.com/servers/storage/support/software/sdd

Verifying the hardware and software requirements

You must have the following hardware and software components in order to install SDD:

Hardware

The following hardware components are needed:

- Supported storage devices
- Host system
- SCSI adapters and cables (ESS)
- Fibre-channel adapters and cables

Software

The following software components are needed:

- Windows Server 2003 operating system Standard or Enterprise edition.
- Device driver for SCSI or fibre-channel adapters

Unsupported environments

SDD does not support the following environments:

- A host system with both a SCSI channel and a fibre-channel connection to a shared LUN.
- Single-path mode during code distribution and activation of LMC nor during any disk storage system concurrent maintenance that impacts the path attachment, such as a disk storage system host-bay-adapter replacement.
- SDD is not supported on the Windows Server 2003 Web edition.
- DS8000 and DS6000 do not support SCSI connectivity.

Disk storage system requirements

To successfully install SDD, ensure that the disk storage system devices are configured as either an:

- IBM 2105xxx, for ESS devices
- IBM 2107xxx, for DS8000 devices
- IBM 1750xxx, for DS6000 devices

- IBM 2145, for SAN Volume Controller devices

where xxx represents the disk storage system model number.

Host system requirements

To successfully install SDD, your Windows Server 2003 host system must be an Intel-based system with Windows Server 2003 installed. The host system can be a uniprocessor or a multiprocessor system.

To install all components, you must have at least 1 MB (MB equals approximately 1 000 000 bytes) of disk space available on the drive where Windows Server 2003 is installed.

SCSI requirements

To use the SDD SCSI support, ensure that your host system meets the following requirements:

- No more than 32 SCSI adapters are attached.
- A SCSI cable connects each SCSI host adapter to an ESS port. (DS8000 and DS6000 do not support SCSI connectivity.)
- If you need the SDD I/O load-balancing and failover features, ensure that a minimum of two independent paths are configured between the host and the subsystem.

Note: SDD also supports one SCSI adapter on the host system. With single-path access, concurrent download of licensed machine code is supported with SCSI devices. However, the load-balancing and failover features are not available.

- For information about the SCSI adapters that can attach to your Windows Server 2003 host system, go to the following Web site:

www.ibm.com/storage/hardsoft/products/ess/supserver.htm

Fibre-channel requirements

To use the SDD fibre-channel support, ensure that your host system meets the following requirements:

- Depending on the fabric and supported storage configuration, the number of fibre-channel adapters attached should be less than or equal to $32 / (n * m)$, where n is the number of supported storage ports and m is the number of paths that have access to the supported storage device from the fabric.
- A fiber-optic cable connects each fibre-channel adapter to a disk storage system port.
- If you need the SDD I/O load-balancing and failover features, ensure that a minimum of two independent fibre-channel paths are installed. You should have at least two fibre-channel adapters to prevent data loss due to adapter hardware failure.

For information about the fibre-channel adapters that can attach to your Windows Server 2003 host system, go to the following Web site at: www.ibm.com/storage/hardsoft/products/ess/supserver.htm

Preparing for SDD installation

Note: If you have Windows 2000 server running and SDD 1.3.x.x already installed and you want to upgrade to Windows Server 2003, you should:

1. Upgrade SDD to the latest level.
2. Upgrade Windows 2000 server to Windows Server 2003.

Before installing SDD, you must:

1. Ensure that all hardware and software requirements are met before you install SDD. See “Verifying the hardware and software requirements” on page 335 for more information.
2. Configure the supported storage device to your host system. See “Configuring the supported storage device” for more information.
3. Configure the fibre-channel adapters that are attached to your Windows Server 2003 host system. See “Configuring fibre-channel adapters” for more information.
4. Configure the SCSI adapters that are attached to your Windows Server 2003 host system. See “Configuring SCSI adapters for ESS devices” on page 338 for more information.
5. Uninstall any previously installed version of SDD on your host system.
For SDD uninstallation and installation instructions, see “Uninstalling SDD” on page 345 and “Installing SDD” on page 338.

Configuring the supported storage device

Before you install SDD, configure your supported storage device for single-port or multiport access for each LUN. SDD requires a minimum of two independent paths that share the same logical unit to use the load-balancing and failover features.

For information about configuring your disk storage system, refer to the Introduction and Planning Guide or Configuration Guide for your product.

Note: During heavy usage, the Windows Server 2003 operating system might slow down while trying to recover from error conditions.

Configuring fibre-channel adapters

You must configure the fibre-channel adapters that are attached to your Windows 2000 host system before you install SDD. Follow the adapter-specific configuration instructions to configure the adapters attached to your Windows 2000 host systems.

To get the latest recommendation for host adapter settings for the ESS disk storage system, refer to the Enterprise Storage Server interoperability matrix at the following Web site:

www.ibm.com/storage/disk/ess/supserver.htm

To get the latest recommendation for host adapter settings for the SAN Volume Controller, refer to the *IBM System Storage Virtualization Family: SAN Volume Controller Host Systems Attachment Guide* and the following Web site:

www.ibm.com/storage/support/2145/

To get the latest recommendation for host adapter settings for a disk storage system, refer to the HBA interoperability search tool at the following Web site:

www-03.ibm.com/servers/storage/support/config/hba/index.wss

SDD supports the Emulex HBA with full-port driver. When you configure the Emulex HBA for multipath functions, select **Allow Multiple Paths to SCSI Targets** in the Emulex Configuration Tool panel.

Configuring SCSI adapters for ESS devices

Attention: Failure to disable the BIOS of attached non-start devices may cause your system to attempt to restart from an unexpected nonstart device.

Before you install and use SDD, you must configure your SCSI adapters. For SCSI adapters that are attached to start devices, ensure that the BIOS for the adapter is enabled. For all other adapters that are attached to nonstart devices, ensure that the BIOS for the adapter is disabled.

Note: When the adapter shares the SCSI bus with other adapters, the BIOS must be disabled.

Installing SDD

First-time installation

The following section describes how to install SDD on your system.

Attention: Ensure that there is single-path connection from the system to the storage device that does not have SDD installed.

Ensure that SDD is installed before you add additional paths to a device. Otherwise, the Windows 2003 server could lose the ability to access existing data on that device.

Perform the following steps to install SDD on your system:

1. Log on as the administrator user.
2. To install from the CD-ROM:
 - a. Insert the SDD installation CD-ROM into the selected drive.
 - b. Start the Windows Server 2003 Explorer program.
 - c. Double-click the CD-ROM drive. A list of all the installed directories on the CD-ROM is displayed.
 - d. Select the `\win2k3\i386\IBMsdd` directory for 32-bit or `\win2k3\IA64\IBMsdd` directory for IA 64-bit

Download code from the SDD Web site:

www.ibm.com/servers/storage/support/software/sdd

- a. Unzip the SDD code to your installation subdirectory.
3. Run the setup.exe program.

Tip: The setup.exe program offers the following command line options for silent install:

```
--> setup -s : silent install
```

```
--> setup -s -n : silent install; no reboot (requires SDD 1.6.0.4 or later)
```

4. When the setup program is finished, you are asked if you want to reboot. If you answer **y**, the setup program restarts your Windows 2003 system immediately. Follow the instructions to restart. Otherwise the setup program exits, and you need to manually restart your Windows 2003 system to activate the new installation.
5. Shut down your Windows 2003 host system.
6. Reconnect all cables that connect the host bus adapters and the supported storage devices, if needed.
7. Change any zoning information that needs to be updated.
8. Restart your Windows 2003 host system.

After completing the installation procedures and when you log on again, you will see a **Subsystem Device Driver** entry in your Program menu containing the following selections:

1. Subsystem Device Driver Management
2. SDD Technical Support Web site
3. README

Notes:

1. You can verify that SDD has been successfully installed by issuing the **datapath query device** command. The **datapath** command must be issued from the datapath directory. If the command executes, SDD is installed.

You can also use the following procedure to verify that SDD has been successfully installed:

- a. Click **Start → Programs → Administrative Tools → Computer Management**.
- b. Double-click **Device Manager**.
- c. Expand **Disk drives** in the right pane.

IBM 2105 indicates an ESS device

IBM 2107 indicates a DS8000 device

IBM 1750 indicates a DS6000 device

IBM 2145 indicates a SAN Volume Controller device

In Figure 6 on page 340, there are six ESS devices connected to the host and four paths to each of the ESS devices. The Device manager shows six IBM 2105xxx SDD disk devices and 24 IBM 2105xxx SCSI disk devices.

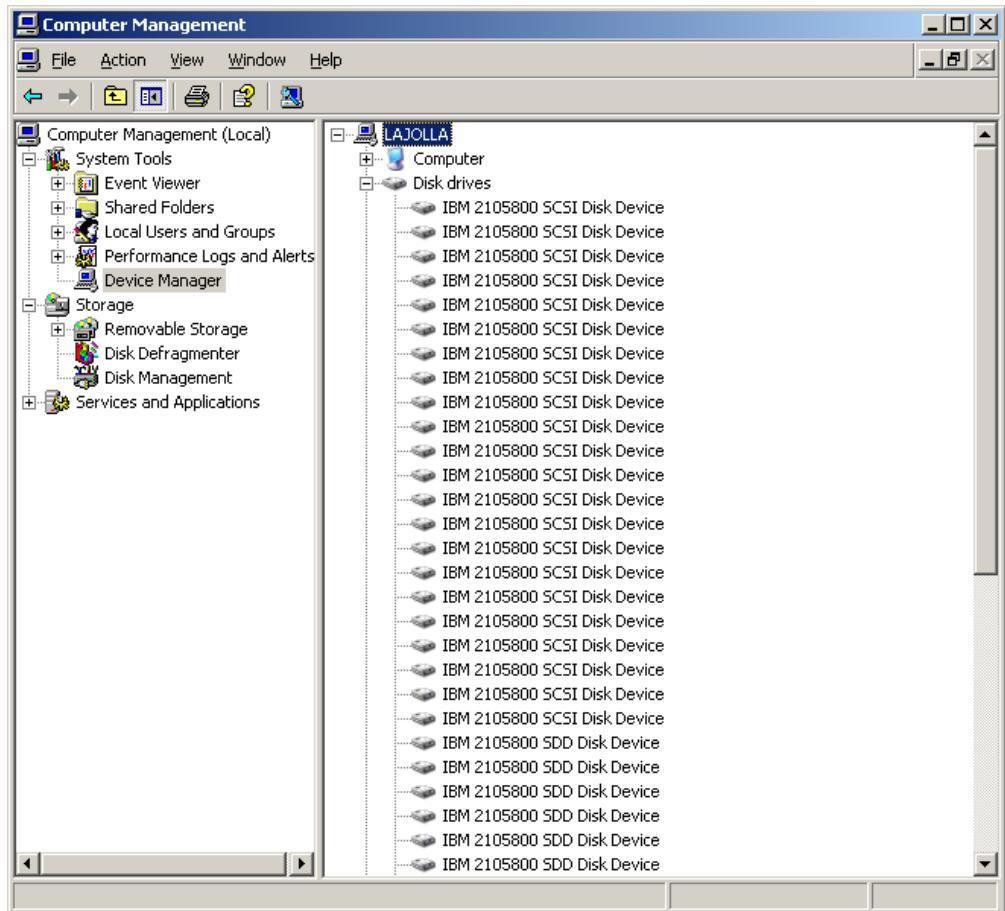


Figure 6. Example showing ESS devices to the host and path access to the ESS devices in a successful SDD installation on a Windows Server 2003 host system

2. You can also verify the current version of SDD. For more information, go to “Displaying the current version of SDD” on page 341.

Upgrading SDD

Perform the following steps to upgrade SDD on your host system:

1. Log on as the administrator user.
2. To upgrade from CD-ROM:
 - a. Insert the SDD installation CD-ROM into the selected drive.
 - b. Start the Windows Server 2003 Explorer program.
 - c. Double-click the CD-ROM drive. A list of all the installed directories on the compact disc is displayed.
 - d. Select the \win2k3\i386\IBMsdd directory for 32-bit or \win2k3\IA64\IBMsdd directory for IA 64-bit.

Download code from the SDD Web site:

www.ibm.com/servers/storage/support/software/sdd

- a. Unzip the SDD code to your installation subdirectory.
3. Run the setup.exe program.

Tip: The setup.exe program provides the following comand-line options for silent install/upgrade:

```
| --> setup -s : silent install/upgrade  
| --> setup -s -n : silent install/upgrade; no reboot (requires SDD 1.6.0.6 or later)
```

| If you have previously installed a 1.3.1.1 (or earlier) version of SDD, you will
| see an Upgrade? question while the setup program is running. You should
| answer **y** to this question to continue the installation. Follow the displayed setup
| instructions to complete the installation.

| If you currently have SDD 1.3.1.2 or 1.3.2.x installed on your Windows 2000
| host system, answer **y** to the Upgrade? question.

- | 4. When the setup program is finished, you are asked if you want to reboot. If you
| answer **y**, the setup program restarts your Windows Server 2003 system
| immediately. Follow the instructions to restart. Otherwise the setup program
| exits, and you need to manually restart your Windows Server 2003 system to
| activate the new installation.

| You can verify that SDD has been successfully installed by issuing the **datapath**
| **query device** command. If the command runs, then SDD is installed.

| You can also verify the current version of SDD. For more information, see
| "Displaying the current version of SDD."

Displaying the current version of SDD

| There are two ways to display the current version of SDD on a Windows Server
| 2003 host system:

- | 1. View the sddbus.sys file properties

| To view the properties of sddbus.sys file:

- | a. Click **Start** → **Programs** → **Accessories** → **Windows Explorer** to open
| Windows Explorer.

- | b. In Windows Explorer, go to the %SystemRoot%\system32\drivers directory,
| where %SystemRoot% is:

| %SystemDrive%\Windows for Windows Server 2003.

| If Windows is installed on the C: drive, %SystemDrive% is C:. If Windows is
| installed on E: drive, %SystemDrive% is E:

- | c. Right-click the sddbus.sys file, and then click **Properties**.

- | d. In the sddbus.sys properties window, click **Version**. The file version and
| copyright information about the sddbus.sys file is displayed.

- | 2. Run **datapath query version** command (requires SDD 1.6.1.x or later).

Upgrading from a Windows NT host system to Windows Server 2003

| Use the following procedure to upgrade SDD to a Windows Server 2003 host:

- | 1. Uninstall SDD from the Windows NT host system. See "Uninstalling SDD" on
| page 315.
- | 2. Shut down the system.
- | 3. Disconnect all cables that allow the Windows NT host to access to the
| supported storage devices.
- | 4. Restart the system.
- | 5. Perform the Windows NT to Windows Server 2003 upgrade according to your
| migration plans.
- | 6. After your host upgrade is complete, install Windows Server 2003-supported
| HBA drivers.
- | 7. Enable a single-path access from your server to the supported storage device.

8. Restart your host.
9. Install the latest version of SDD for Windows 2003. See “Installing SDD” on page 338.
10. Reboot the system, enabling additional paths to the supported storage device.

Configuring SDD

Use these sections to configure SDD.

Verifying the configuration

To activate SDD, you need to restart your Windows Server 2003 system after it is installed.

Attention: Ensure that SDD is installed before you add additional paths to a device. Otherwise, the Windows Server 2003 server could lose the ability to access existing data on that device.

Before adding any additional hardware, review the configuration information for the adapters and devices currently on your Windows Server 2003 server. Perform the following steps to display information about the adapters and devices:

1. You must log on as an administrator user to have access to the Windows Server 2003 Computer Management.
2. Click **Start → Program → Subsystem Device Driver → Subsystem Device Driver Management**. An MS-DOS window opens.
3. Enter **datapath query adapter** and press **Enter**. The output includes information about all the installed adapters. In the example shown in the following output, one HBA is installed:

```
Active Adapters :1
Adpt#   Adapter Name   State   Mode   Select   Errors   Paths   Active
  0     Scsi Port4 Bus0  NORMAL  ACTIVE    592         0         6         6
```

4. Enter **datapath query adapter** and press **Enter**. In the example shown in the following output, six devices are attached to the SCSI path:

Total Devices : 6

```
DEV#: 0 DEVICE NAME: Disk1 Part0 TYPE: 2107900 POLICY: OPTIMIZED
SERIAL: 06D23922
=====
Path#          Adapter/Hard Disk   State   Mode   Select   Errors
  0          Scsi Port4 Bus0/Disk1 Part0   OPEN   NORMAL   108      0
=====
DEV#: 1 DEVICE NAME: Disk2 Part0 TYPE: 2107900 POLICY: OPTIMIZED
SERIAL: 06E23922
=====
Path#          Adapter/Hard Disk   State   Mode   Select   Errors
  0          Scsi Port4 Bus0/Disk2 Part0   OPEN   NORMAL    96      0
=====
DEV#: 2 DEVICE NAME: Disk3 Part0 TYPE: 2107900 POLICY: OPTIMIZED
SERIAL: 06F23922
=====
Path#          Adapter/Hard Disk   State   Mode   Select   Errors
  0          Scsi Port4 Bus0/Disk3 Part0   OPEN   NORMAL    96      0
=====
DEV#: 3 DEVICE NAME: Disk4 Part0 TYPE: 2107900 POLICY: OPTIMIZED
SERIAL: 07023922
=====
Path#          Adapter/Hard Disk   State   Mode   Select   Errors
  0          Scsi Port4 Bus0/Disk4 Part0   OPEN   NORMAL    94      0
=====
DEV#: 4 DEVICE NAME: Disk5 Part0 TYPE: 2107900 POLICY: OPTIMIZED
SERIAL: 07123922
=====
Path#          Adapter/Hard Disk   State   Mode   Select   Errors
  0          Scsi Port4 Bus0/Disk5 Part0   OPEN   NORMAL    90      0
=====
DEV#: 5 DEVICE NAME: Disk6 Part0 TYPE: 2107900 POLICY: OPTIMIZED
SERIAL: 07223922
=====
Path#          Adapter/Hard Disk   State   Mode   Select   Errors
  0          Scsi Port4 Bus0/Disk6 Part0   OPEN   NORMAL    98      0
```

Activating additional paths

Perform the following steps to activate additional paths to an SDD vpath device:

1. Install any additional hardware on the Windows Server 2003 server or the ESS.
2. Click **Start** → **Program** → **Administrative Tools** → **Computer Management**.
3. Click **Device Manager**.
4. Right-click **Disk drives**.
5. Click **Scan for hardware changes**.
6. Verify that the path is added correctly. See “Verifying that additional paths are installed correctly.”

Verifying that additional paths are installed correctly

After installing additional paths to SDD devices, verify that the additional paths have been installed correctly.

Perform the following steps to verify that the additional paths have been installed correctly:

1. Click **Start** → **Program** → **Subsystem Device Driver** → **Subsystem Device Driver Management**. An MS-DOS window opens.

2. Enter **datapath query adapter** and press **Enter**. The output includes information about any additional adapters that were installed. In the example shown in the following output, an additional HBA has been installed:

Active Adapters :2

Adpt#	Adapter Name	State	Mode	Select	Errors	Paths	Active
0	Scsi Port4 Bus0	NORMAL	ACTIVE	592	0	6	6
1	Scsi Port5 Bus0	NORMAL	ACTIVE	559	0	6	6

3. Enter **datapath query device** and press **Enter**. The output should include information about any additional devices that were installed. In this example, the output includes information about the new host bus adapter that was assigned. The following output is displayed:

Total Devices : 6

DEV#: 0 DEVICE NAME: Disk1 Part0 TYPE: 2107900 POLICY: OPTIMIZED
SERIAL: 06D23922

Path#	Adapter/Hard Disk	State	Mode	Select	Errors
0	Scsi Port4 Bus0/Disk1 Part0	OPEN	NORMAL	108	0
1	Scsi Port5 Bus0/Disk1 Part0	OPEN	NORMAL	96	0

DEV#: 1 DEVICE NAME: Disk2 Part0 TYPE: 2107900 POLICY: OPTIMIZED
SERIAL: 06E23922

Path#	Adapter/Hard Disk	State	Mode	Select	Errors
0	Scsi Port4 Bus0/Disk2 Part0	OPEN	NORMAL	96	0
1	Scsi Port5 Bus0/Disk2 Part0	OPEN	NORMAL	95	0

DEV#: 2 DEVICE NAME: Disk3 Part0 TYPE: 2107900 POLICY: OPTIMIZED
SERIAL: 06F23922

Path#	Adapter/Hard Disk	State	Mode	Select	Errors
0	Scsi Port4 Bus0/Disk3 Part0	OPEN	NORMAL	96	0
1	Scsi Port5 Bus0/Disk3 Part0	OPEN	NORMAL	94	0

DEV#: 3 DEVICE NAME: Disk4 Part0 TYPE: 2107900 POLICY: OPTIMIZED
SERIAL: 07023922

Path#	Adapter/Hard Disk	State	Mode	Select	Errors
0	Scsi Port4 Bus0/Disk4 Part0	OPEN	NORMAL	94	0
1	Scsi Port5 Bus0/Disk4 Part0	OPEN	NORMAL	96	0

DEV#: 4 DEVICE NAME: Disk5 Part0 TYPE: 2107900 POLICY: OPTIMIZED
SERIAL: 07123922

Path#	Adapter/Hard Disk	State	Mode	Select	Errors
0	Scsi Port4 Bus0/Disk5 Part0	OPEN	NORMAL	90	0
1	Scsi Port5 Bus0/Disk5 Part0	OPEN	NORMAL	99	0

DEV#: 5 DEVICE NAME: Disk6 Part0 TYPE: 2107900 POLICY: OPTIMIZED
SERIAL: 07223922

Path#	Adapter/Hard Disk	State	Mode	Select	Errors
0	Scsi Port4 Bus0/Disk6 Part0	OPEN	NORMAL	98	0
1	Scsi Port5 Bus0/Disk6 Part0	OPEN	NORMAL	79	0

Uninstalling SDD

Perform the following steps to uninstall SDD on a Windows Server 2003 host system:

1. Shut down your Windows 2003 host system.
2. Ensure that there is a single-path connection from the system to the supported storage device.
3. Turn on your Windows 2003 host system.
4. Log on as the administrator user.
5. Click **Start → Settings → Control Panel**. The Control Panel opens.
6. Double-click **Add/Remove Programs**. The Add/Remove Programs window opens.
7. In the Add/Remove Programs window, select **Subsystem Device Driver** from the currently-installed programs selection list. Click **Add/Remove**. You will be asked to verify that you want to uninstall SDD.
8. Restart your Windows Server 2003 host system.

Tip: The SDD setup.exe program provides the following command line options for silent uninstall:

```
--> setup -s -u : silent uninstall  
--> setup -s -u -n : silent uninstall; no reboot (requires SDD 1.6.0.6 or later)
```

SAN boot support

Use the following procedures for remote boot support.

Booting a SAN device with Windows Server 2003 and SDD using Qlogic HBA <BIOS 1.43> or later

Perform the following steps to install SDD:

1. Configure the SAN environment so that both Qlogic HBAs in the host system can see the SAN boot device. Ensure that there is a single-path connection from each of the Qlogic HBAs to the SAN boot device.
2. Turn on the host system with 2 fibre-channel cables connected to both HBAs. Press **CTRL-Q** when the HBA banner appears during boot process.
3. Select the first HBA from the displayed list.
4. Select **Configuration Settings**.
5. Select **Host Adapter Settings**.
6. Select **Host Adapter BIOS** and enable it.
7. Press the **Page Up** key to back up one menu.
8. Select **Selectable Boot Settings**.
9. Under Selectable Boot Settings, enable **Selectable Boot**.
10. Under (Primary) Boot Port Name, LUN, select the IBM device that will be providing the storage for SAN boot. At the **Select LUN** prompt, select the first supported LUN, which is LUN 0.
11. This returns you to the previous screen, which now has information under (Primary) Boot Port Name, LUN for the device you selected in the previous step.
12. Press the **Page Up** key twice to exit the menus. Select **Save Changes** to save the changes.
13. Select the second HBA and repeat steps 4-12.

14. Unplug the fibre-channel cable from second HBA and plug the fibre-channel cable to the first HBA so that you have a single path from first HBA to the SAN device.
15. Insert the Windows Server 2003 with latest Service Pack CD-ROM into the CD-ROM drive.
16. Restart the host system.
17. At the first Windows Server 2003 installation screen, quickly press **F6** to install a third-party device.
18. Select **S** to specify an additional device.
19. Insert the diskette with the Qlogic driver into diskette drive and press **Enter**.
20. Continue with the Windows Server 2003 installation process. Remember to select the SAN device seen by the Qlogic HBA as the device to install Windows Server 2003.
21. After Windows Server 2003 is successfully installed on the San boot device, shut down the system.
22. Unplug the fibre-channel cable from first HBA and plug the fibre-channel cable to the second HBA so that you have a single path from second HBA to the SAN device.
23. Restart the host system to boot from the SAN.
24. Install the latest SDD version on your host system and restart.
25. To add multipath support to the SAN boot device, perform the following steps:
 - a. Shut down the host system.
 - b. Configure the SAN to allow additional paths to the SAN boot device, if needed.
 - c. Connect all FC cables.
26. Restart the host system.

Booting a SAN device with IA64-bit Windows Server 2003 and SDD using a Qlogic HBA

Perform the following steps to install SDD:

1. Load EFI code v1.07 into QLogic HBA flash.
2. Build the QLogic EFI code using the ISO file.
 - a. Insert the EFI code CD-ROM in the CD-ROM drive.
 - b. At the EFI prompt, enter the following commands:

```
fs0
flasutil
```

After some time, the flash utility starts. It displays the addresses of all available QLogic adapters.

- c. Select the address of each HBA and select **f** option to load code into flash memory.
3. Enable the boot option in the QLogic EFI configuration.
 - a. At EFI shell prompt, enter **drivers -b**. A list of installed EFI drivers is displayed.
 - b. Locate the driver named QlcFC SCSI PASS Thru Driver. Determine the DRVNUM of that driver.
 - 1) Enter **DrvCfg DRVNUM**.

- 2) A list of adapters under this driver is displayed. Each adapter has its own CTRLNUM.
- 3) For each HBA for which you need to configure boot option, enter **Drvcfg -s DRVNUM CTRLNUM**.
- c. At the QLCConfig> prompt, enter **b** to enable the boot option, enter **c** for the connection option, or enter **d** to display the storage back-end WWN.
- d. The topology should be point-to-point.
- e. Exit the EFI environment.
- f. Reboot the system.
4. Connect the USB drive to the system.
5. Insert the disk that contains the ramdisk.efi file. This file can be obtained from Intel Application Tool Kit in the binaries\sal64 directory. Refer to www.intel.com/technology/efi/index.html
6. The USB drive should be attached to fs0. Enter the following command:


```
fs0:
load ramdisk.efi
```

This will create virtual storage.
7. Enter **map -r** to refresh.
8. Insert the diskette that contains the QLogic driver for your QLA HBAs. Assume that fs0 is virtual storage and fs1 is the USB drive. You can enter **map -b** to find out fs0:
9. Enter **copy fs1:*.*** This will copy the QLogic driver to the virtual storage.
10. Install the Windows Server 2003 64-bit OS on the SAN device.
 - a. At the first Windows 2003 installation panel, press **F6** to install a third-party device.
 - b. Use the QLogic driver loaded from virtual storage
 - c. Continue to install Windows 2003.
 - d. Select the first ESS volume seen by the QLogic HBA as the device on which to install Windows Server 2003.
 - e. Install the Windows Server 2003 Service Pack, if applicable.
11. Install SDD.
12. Add multipaths to ESS.

Booting from a SAN device with Windows Server 2003 and SDD using an EMULEX HBA <Firmware v3.92a2, v1.90.x5> or later

Perform the following steps to set up a SAN boot device with Windows Server 2003 and SDD using an Emulex HBA:

1. Configure the SAN Environment so that both Emulex HBAs in the host system can see the SAN Boot Device. Ensure that there is a single-path connection from each of the Emulex HBAs to the SAN boot device.
2. Power up the host system with 2 fibre-channel cables connected to both HBAs. Press **Alt+E** to go to the Emulex Bios Utilities.
3. Select the first HBA.
4. Select **Configure HBA Parameter Settings**.
5. Select **Option 1** to enable BIOS for this HBA.
6. Press **Page-up** to go back and select **Configure boot device**.

7. Select first unused boot device for **Select Boot Entry from the List Of Saved Boot Devices**.
8. Select 01 for **Select The Two Digit Number Of The Desired Boot Device**.
9. Enter **00** for **Enter Two Digit Of Starting LUNs** (hexadecimal).
10. Select device number 01 for **Enter Selection For Starting LUN**.
11. Select **Boot Device Via WWPn**.
12. Page up and select the second HBA. Repeat steps 4-11 to configure boot support for this HBA.
13. Unplug the fibre-channel cable from second HBA and plug the fibre-channel cable to the first HBA so that you have a single path from first HBA to the SAN device.
14. Insert the Windows Server 2003 with the latest Service Pack CD-ROM into the CD-ROM drive.
15. Restart the host system.
16. At the very first Windows Server 2003 installation screen, quickly press **F6** to install a third-party device.
17. Select **S** to specify an additional device.
18. Insert the diskette with Emulex HBA driver into diskette drive and press **Enter**.
19. Continue with the Windows Server 2003 installation process. Remember to select the SAN device seen by the Emulex HBA as the device to install Windows Server 2003. Continue with the OS installation.
20. After Windows Server 2003 is successfully installed on the SAN boot device, shut down the host system.
21. Unplug the fibre-channel cable from first HBA and plug the fibre-channel cable to the second HBA so that you have a single path from second HBA to the SAN device.
22. Restart the host system to boot from the SAN.
23. Install the latest SDD and reboot.
24. To add multipath support to SAN boot device, perform the following steps:
 - a. Shut down the host system.
 - b. Configure the SAN to add multipaths to the SAN boot device if needed.
 - c. Reconnect all fibre-channel cables.
25. Restart the host system.

Support for Windows Server 2003 clustering

SDD 1.5.x.x does not support I/O load balancing in a Windows Server 2003 clustering. SDD 1.6.0.0 (or later) is required to support load balancing in a Windows Server 2003 clustering.

When running Windows Server 2003 clustering, clustering failover might not occur when the last path is being removed from the shared resources. See *Microsoft article Q294173* for additional information. Windows Server 2003 does not support dynamic disks in the MSCS environment.

Special considerations in the Windows Server 2003 clustering environment

Note: The adapter goes to DEGRAD state when there are active paths left on the adapter. It goes to FAILED state when there are no active paths.

The **datapath set adapter # offline** command operates differently in a SCSI Reserve/Release support clustering environment as compared to a nonclustering or Persistent Reserve/Release environment. In a SCSI Reserve/Release support clustering environment, the **datapath set adapter offline** command does not change the condition of the path if the path is active or being reserved. If you issue the command, the following message is displayed: to preserve access some paths left online.

Configure Windows 2003 cluster with SDD installed

The following variables are used in this procedure:

server_1 Represents the first server with two HBAs.

server_2 Represents the second server with two HBAs.

Perform the following steps to configure a Windows Server 2003 cluster with SDD:

1. On both *server_1* and *server_2*, configure SAN devices on supported storage as shared for all HBAs.
2. Install the latest SDD on *server_1*. For installation instructions, see “Installing SDD” on page 338.
3. Connect fibre-channel cables from *server_1* to the supported storage, and restart *server_1*.
4. Use the **datapath query adapter** and **datapath query device** commands to verify the correct number of SAN devices and paths on *server_1*.
5. Click **Start** → **All Programs** → **Administrative Tools** → **Computer Management**. From the Computer Management window, select **Storage** and then select **Disk Management** to work with the storage devices attached to the host system.
6. Format the raw devices with NTFS and assign drive letters for all SAN devices that are going to be used as MSCS resources. Ensure that you keep track of the assigned drive letters on *server_1*.
7. Shut down *server_1*.
8. Install the latest SDD on *server_2*. For installation instructions, see “Installing SDD” on page 338.
9. Connect fibre-channel cables from *server_2* to the supported storage device, and restart *server_2*.
10. Use the **datapath query adapter** and **datapath query device** commands to verify the correct number of SAN devices and paths on *server_2*.
11. Click **Start** → **All Programs** → **Administrative Tools** → **Computer Management**. From the Computer Management window, select **Storage** and then select **Disk Management** to work with the storage devices attached to the host system. Verify that the assigned drive letters for MSCS resources on *server_2* match the assigned drive letters on *server_1*.
12. Insert the Windows Server 2003 CD-ROM into the CD-ROM drive and install the MSCS software on *server_2*.
13. Restart *server_1*.
14. Insert the Windows Server 2003 CD-ROM into the CD-ROM drive and install the MSCS software on *server_1* as the second node of the MSCS cluster.

Information about installing a Windows 2003 cluster can be found in a file, `confclus.exe`, located at:

Upgrading SDD in a two-node cluster environment

Perform the following steps for upgrading SDD in a two-node cluster environment:

1. Move all cluster resources from node A to node B.
2. On node A, follow the instructions from the “Upgrading SDD” on page 340.
3. After node A is started, move all resources from node B to node A.
4. On node B, follow the instructions from the “Upgrading SDD” on page 340.

Uninstalling SDD in a two-node cluster environment

Perform the following steps to uninstall SDD in a two-node cluster environment:

1. Move all cluster resources from node A to node B.
2. Ensure that there is a single-path connection from the system to the storage device which may include the following activities:
 - a. Disable access of second HBA to the storage device.
 - b. Change the zoning configuration to allow only one port accessed by this host.
 - c. Remove shared access to the second HBA.
 - d. Remove multiple supported storage port access, if applicable.
3. Uninstall SDD. See “Uninstalling SDD” on page 345 for instructions.
4. Restart your system.
5. Move all cluster resources from node B to node A.
6. Perform steps 2 - 5 on node B.

The procedures listed in this section can be expanded to upgrade SDD or to uninstall SDD in an n-node cluster environment.

SDD server daemon

The SDD server (also referred to as `sddsrv`) is an integrated component of SDD 1.6.0.0 (or later). This component consists of a Windows application daemon that is installed in addition to the SDD device driver.

Verifying if the SDD server has started

After you have installed SDD, verify if the SDD server (`sddsrv`) has automatically started:

1. Click **Start** → **Programs** → **Administrative Tools** → **Computer Management**.
2. Expand the Services and Applications tree.
3. Click **Services**.
4. Right-click **SDD_Service**.
5. Click **Start**. The status of SDD Service should be *Started* if the SDD server has automatically started.

Starting the SDD server manually

If the SDD server did not start automatically after you performed the SDD installation, you can start `sddsrv`:

1. Click **Start** → **Programs** → **Administrative Tools** → **Computer Management**.

2. Expand the Services and Applications tree.
3. Click **Services**.
4. Right-click **SDD_Service**.
5. Click **Start**.

Changing to a different port number for the SDD server

To change to a different port number for the SDD server, see “Changing the sddsrv or pcmsrv TCP/IP port number” on page 369.

Stopping the SDD server

To stop the SDD server:

1. Click **Start** → **Programs** → **Administrative Tools** → **Computer Management**.
2. Expand the Services and Applications tree.
3. Click **Services**.
4. Right-click **SDD_Service**.
5. Click **Stop**.

Chapter 11. Using SDDDSM on a Windows Server 2003 host system

Subsystem Device Driver Device Specific Module (SDDDSM) provides multipath I/O support based on the MPIO technology of Microsoft. SDDDSM is a device-specific module designed to provide support for supported storage devices.

This chapter provides procedures for you to install, configure, use, and remove SDDDSM on a Windows Server 2003 host system that is attached to a supported storage device.

Install the package from the %ProgramFiles%\IBM\SDDDSM directory of the SDDDSM CD-ROM or the location where SDDDSM package was saved.

For updated and additional information that is not included in this chapter, see the readme file on the CD-ROM or visit the SDDDSM Web site:

www.ibm.com/servers/storage/support/software/sdd

Verifying the hardware and software requirements

You must have the following hardware and software components in order to install SDDDSM:

Hardware

The following hardware components are needed:

- Supported storage devices
- Host system
- Fibre-channel adapters and cables

Software

The following software components are needed:

- Operating system:
 - Windows 32-bit or Windows Server 2003 x64
- Device driver for fibre-channel adapters (it must be a STORPORT-based miniport driver)
- SDDDSM installation package, which includes:
 - MPIO drivers. MPIO is not shipped with the Windows Server 2003 operating system.
 - SDDDSM driver: sdddsm.sys
 - SDDDSM installer: setup.exe, install and uninstall MPIO, and SDDDSM
 - SDDDSM readme file
 - SDDDSM command windows shortcut

Unsupported environments

SDDDSM does not support the following environments:

- Single-path mode during code distribution and activation of LMC nor during any disk storage system concurrent maintenance that impacts the path attachment, such as a disk storage system host-bay-adapter replacement.
- SDDDSM is not supported on the Windows Server 2003 Web edition.

- DS8000 and DS6000 do not support SCSI connectivity.

Host system requirements

To successfully install SDDDSM, your Windows Server 2003 host system must be an x86-based 32-bit system, an AMD-based 64-bit system, or an Intel EM64T-based system with Windows Server 2003 installed. The host system can be a uniprocessor system or a multiprocessor system.

To support SDDDSM, your Windows Server 2003 host system must have the following installed:

- SDDDSM
- Any Windows Server 2003 hotfixes, when applicable
- Any HBA-required Windows Server 2003 hotfixes, when applicable

Please refer to the SDDDSM readme and the HBA driver readme or release notes for additional information.

To install all components, you must have at least 1 MB (MB equals approximately 1 000 000 bytes) of disk space available on the drive where Windows Server 2003 is installed.

Fibre-channel requirements

To use the SDDDSM fibre-channel support, ensure that your host system meets the following requirements:

- No more than 32 fibre-channel adapters are attached.
- A fiber-optic cable connects each fibre-channel adapter to a disk storage system port.
- If you need the SDDDSM I/O load-balancing and failover features, ensure that a minimum of two fibre-channel adapters are installed.

Note: If your host has only one fibre-channel adapter, it requires you to connect through a switch to multiple disk storage system ports. You should have at least two fibre-channel adapters to prevent data loss due to adapter hardware failure or software failure.

For information about the fibre-channel adapters that can attach to your Windows Server 2003 host system, go to the following Web site at:

www.ibm.com/storage/hardsoft/products/ess/supserver.htm

Preparing for SDDDSM installation

Before installing SDDDSM, you must:

1. Ensure that all hardware and software requirements are met before you install SDDDSM. See “Verifying the hardware and software requirements” on page 353 for more information.
2. Configure the fibre-channel adapters that are attached to your Windows Server 2003 host system. See “Configuring fibre-channel adapters” on page 355 for more information.
3. For SDDDSM uninstallation and installation instructions, see “Uninstalling SDDDSM” on page 361 and “Installing SDDDSM” on page 355.

Configuring the supported storage device

Before you install SDDDSM, configure your supported storage device for single-port or multiport access for each LUN. To use the load-balancing and failover features, SDDDSM requires a minimum of two independent paths that share the same logical unit.

For information about configuring your supported storage device, refer to the Implementation Guide or Configuration Guide for your product.

Configuring fibre-channel adapters

You must configure the fibre-channel adapters that are attached to your Windows Server 2003 host system before you install SDDDSM. Follow the adapter-specific configuration instructions to configure the adapters attached to your Windows Server 2003 host systems.

Installing SDDDSM

First-time installation

The following section describes how to install SDDDSM on your system.

Note: Ensure that SDDDSM is installed *before* adding additional paths to a device. Otherwise, the Windows Server 2003 server could lose the ability to access existing data on that device.

Perform the following steps to install SDDDSM on your system:

1. If this is a new installation, ensure that there is a single connection from your host to your storage. Multipath access to the storage can be added after SDDDSM is installed.
2. Log on as the administrator user.
If you plan to install SDDDSM from CD-ROM, continue with step 3; otherwise, go to step 9.
3. Insert the SDDDSM installation CD-ROM into the selected drive.
4. Start the Windows Server 2003 Explorer program.
5. Select the CD-ROM drive. A list of all the installed directories on the compact disc is displayed.
6. If you have the zip file for the SDDDSM package available, select the %ProgramFiles%\IBM\SDDDSM installation subdirectory and go to step 9.
7. If you still do not have the zip file for the SDDDSM package available, go to the SDD Web site and download and save it to a directory.
8. Extract the zip file for the SDDDSM package to a directory and go to that directory.
9. Run the setup.exe program. Follow the instructions.
10. Shut down your Windows Server 2003 host system.
11. Connect additional cables to your storage if needed.
12. Make any necessary zoning configuration changes.
13. Restart your Windows Server 2003 host system.

After completing the installation procedures and when you log on again, you will see an **SDDDSM** entry in your Program menu containing the following selections:

1. Subsystem Device Driver DSM

2. SDDDSM Technical Support Web site
3. README

Notes:

1. You can verify that SDDDSM has been successfully installed by issuing the **datapath query device** command. The **datapath** command must be issued from the datapath directory. If the command executes, SDDDSM is installed. You can also use the following operation to verify that SDDDSM has been successfully installed:
 - a. Click **Start** → **Programs** → **Administrative Tools** → **Computer Management**.
 - b. Double-click **Device Manager**.
 - c. Expand **Disk drives** in the right pane.

In Figure 7, there are eight IBM SAN Volume Controller devices connected to the host and four paths to each of the IBM SAN Volume Controller devices. The Device manager shows eight IBM 2145 Multipath Disk Devices and 32 IBM 2145 SDDDSM SCSI Devices.

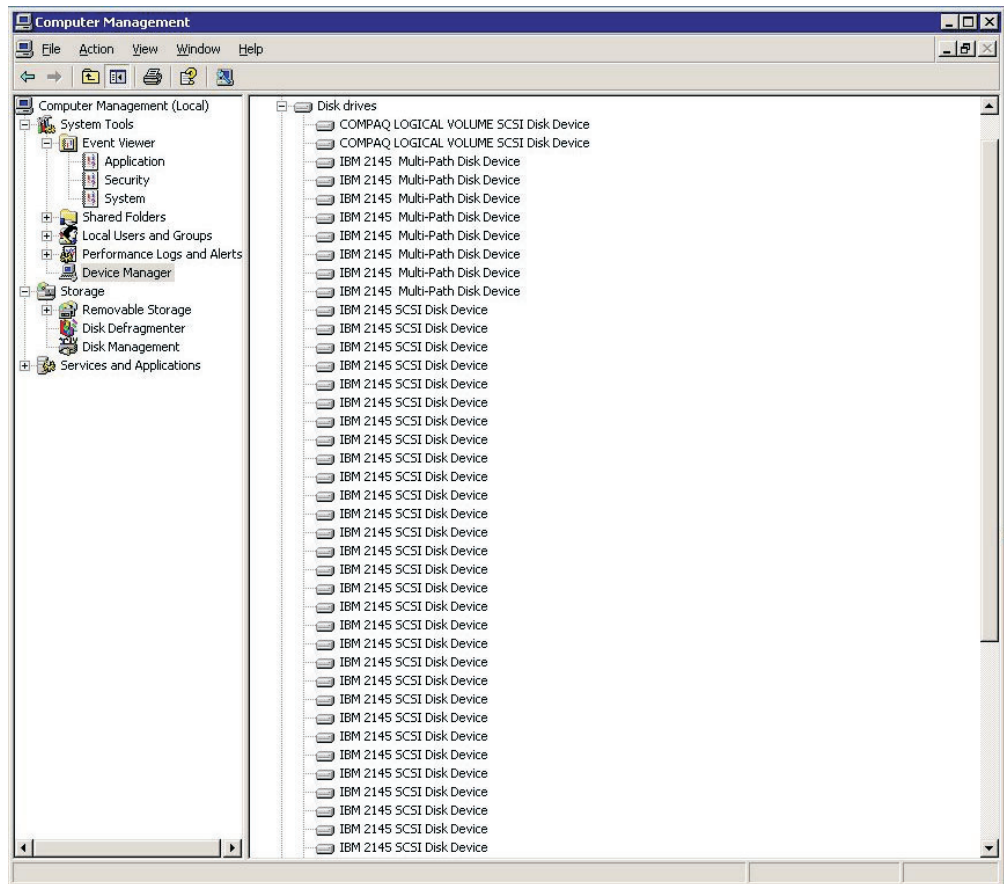


Figure 7. Example showing IBM SAN Volume Controller devices to the host and path access to the IBM SAN Volume Controller devices in a successful SDDDSM installation on a Windows Server 2003 host system

2. You can also verify the current version of SDDDSM. For more information, go to “Displaying the current version of SDDDSM” on page 357.

Upgrading SDDDSM

Use the following procedure to upgrade SDDDSM.

1. Log in as administrator.
2. Open Windows Explorer and go to the directory where the SDDDSM package is located.
3. Double-click the file setup.exe.
4. Follow the instructions to continue with SDDDSM setup procedure.
5. When the upgrade is complete, SDDDSM will ask you to reboot. Answer yes to reboot the system and activate the new SDDDSM.

You can check the SDDDSM version to verify that SDDDSM has been successfully upgraded. For more information, see “Displaying the current version of SDDDSM.”

Displaying the current version of SDDDSM

You can display the current version of SDDDSM on a Windows Server 2003 host system by viewing the sdddsm.sys file properties. Perform the following steps to view the properties of sdddsm.sys file:

1. Click **Start** → **Programs** → **Accessories** → **Windows Explorer** to open Windows Explorer.
2. In Windows Explorer, go to the %SystemRoot%\system32\drivers directory, where %SystemRoot% is:
 %SystemDrive%\Windows for Windows Server 2003.
If Windows is installed on the C: drive, %SystemDrive% is C:. If Windows is installed on E: drive, %SystemDrive% is E:
3. Right-click the sdddsm.sys file, and then click **Properties**. The sdddsm.sys properties window opens.
4. In the sdddsm.sys properties window, click **Version**. The file version and copyright information about the sdddsm.sys file is displayed.

If the SDDDSM version is 2.1.1.0 or later, you can use the **datapath query version** command:

1. Open the SDDDSM command window.
2. Execute the **datapath query version** command.

Configuring SDDDSM

Use these topics to configure SDDDSM.

Verifying the configuration

To activate SDDDSM, you need to restart your Windows Server 2003 system after it is installed.

Attention: Ensure that SDDDSM is installed and activated before you add additional paths to a device. Otherwise, the Windows Server 2003 server could lose the ability to access existing data on that device.

Before adding any additional hardware, review the configuration information for the adapters and devices currently on your Windows Server 2003 server. Perform the following steps to display information about the adapters and devices:

1. You must log on as an administrator user to have access to the Windows Server 2003 Computer Management.
2. Click **Start → Program → Subsystem Device Driver DSM → Subsystem Device Driver Management**. An MS-DOS window opens.
3. Enter **datapath query adapter** and press **Enter**. The output includes information about all the installed adapters. In the example shown in the following output, one HBA is installed:

```
Active Adapters : 1

Adpt#   Adapter Name   State   Mode   Select   Errors   Paths   Active
  0     Scsi Port4 Bus0  NORMAL  ACTIVE    592       0       6       6
```

4. Enter **datapath query device** and press **Enter**. In the example shown in the following output, eight devices are attached to the SCSI path:

```
Total Devices : 6

DEV#:  0  DEVICE NAME: Disk1 Part0  TYPE: 2107900  POLICY: OPTIMIZED
SERIAL: 06D23922
=====
Path#           Adapter/Hard Disk   State   Mode   Select   Errors
  0     Scsi Port4 Bus0/Disk1 Part0  OPEN   NORMAL    108     0

DEV#:  1  DEVICE NAME: Disk2 Part0  TYPE: 2107900  POLICY: OPTIMIZED
SERIAL: 06E23922
=====
Path#           Adapter/Hard Disk   State   Mode   Select   Errors
  0     Scsi Port4 Bus0/Disk2 Part0  OPEN   NORMAL     96     0

DEV#:  2  DEVICE NAME: Disk3 Part0  TYPE: 2107900  POLICY: OPTIMIZED
SERIAL: 06F23922
=====
Path#           Adapter/Hard Disk   State   Mode   Select   Errors
  0     Scsi Port4 Bus0/Disk3 Part0  OPEN   NORMAL     96     0

DEV#:  3  DEVICE NAME: Disk4 Part0  TYPE: 2107900  POLICY: OPTIMIZED
SERIAL: 07023922
=====
Path#           Adapter/Hard Disk   State   Mode   Select   Errors
  0     Scsi Port4 Bus0/Disk4 Part0  OPEN   NORMAL     94     0

DEV#:  4  DEVICE NAME: Disk5 Part0  TYPE: 2107900  POLICY: OPTIMIZED
SERIAL: 07123922
=====
Path#           Adapter/Hard Disk   State   Mode   Select   Errors
  0     Scsi Port4 Bus0/Disk5 Part0  OPEN   NORMAL     90     0

DEV#:  5  DEVICE NAME: Disk6 Part0  TYPE: 2107900  POLICY: OPTIMIZED
SERIAL: 07223922
=====
Path#           Adapter/Hard Disk   State   Mode   Select   Errors
  0     Scsi Port4 Bus0/Disk6 Part0  OPEN   NORMAL     98     0
```

Activating additional paths

Perform the following steps to activate additional paths to an SDDDSM vpath device:

1. Install any additional hardware on the Windows Server 2003 server or the SAN Volume Controller.
2. Click **Start → Program → Administrative Tools → Computer Management**.
3. Click **Device Manager**.

4. Right-click **Disk drives**.
5. Click **Scan for hardware changes**.
6. Verify that the path is added correctly. See “Verifying that additional paths are installed correctly.”

Verifying that additional paths are installed correctly

After installing additional paths to SDDDSM devices, verify that the additional paths have been installed correctly.

Perform the following steps to verify that the additional paths have been installed correctly:

1. Click **Start → Program → Subsystem Device Driver DSM → Subsystem Device Driver Management**. An MS-DOS window opens.
2. Enter **datapath query adapter** and press **Enter**. The output includes information about any additional adapters that were installed. In the example shown in the following output, an additional HBA has been installed:

```
Active Adapters : 2
Adpt#   Adapter Name  State   Mode   Select   Errors  Paths  Active
   0   Scsi Port2 Bus0  NORMAL  ACTIVE  391888   844   16    16
   1   Scsi Port3 Bus0  NORMAL  ACTIVE  479686   566   16    16
```

3. Enter **datapath query device** and press **Enter**. The output should include information about any additional devices that were installed. In this example, the output includes information about the new HBA and the new device numbers that were assigned. The following output is displayed:

Total Devices : 8

DEV#: 0 DEVICE NAME: \Device\Harddisk2\DR0 TYPE: 2145 POLICY: OPTIMIZED
SERIAL: 6005076801968009A80000000000023

Path#	Adapter/Hard Disk	State	Mode	Select	Errors
0	Scsi Port2 Bus0/Disk2 Path0	OPEN	NORMAL	3079	103
1	Scsi Port2 Bus0/Disk2 Path1	OPEN	NORMAL	43	6
2	Scsi Port3 Bus0/Disk2 Path2	OPEN	NORMAL	45890	72
3	Scsi Port3 Bus0/Disk2 Path3	OPEN	NORMAL	30	4

DEV#: 1 DEVICE NAME: \Device\Harddisk3\DR0 TYPE: 2145 POLICY: OPTIMIZED
SERIAL: 6005076801968009A80000000000025

Path#	Adapter/Hard Disk	State	Mode	Select	Errors
0	Scsi Port2 Bus0/Disk3 Path0	OPEN	NORMAL	51775	101
1	Scsi Port2 Bus0/Disk3 Path1	OPEN	NORMAL	34	6
2	Scsi Port3 Bus0/Disk3 Path2	OPEN	NORMAL	64113	68
3	Scsi Port3 Bus0/Disk3 Path3	OPEN	NORMAL	30	4

DEV#: 2 DEVICE NAME: \Device\Harddisk4\DR0 TYPE: 2145 POLICY: OPTIMIZED
SERIAL: 6005076801968009A80000000000024

Path#	Adapter/Hard Disk	State	Mode	Select	Errors
0	Scsi Port2 Bus0/Disk4 Path0	OPEN	NORMAL	43026	124
1	Scsi Port2 Bus0/Disk4 Path1	OPEN	NORMAL	440	6
2	Scsi Port3 Bus0/Disk4 Path2	OPEN	NORMAL	51992	63
3	Scsi Port3 Bus0/Disk4 Path3	OPEN	NORMAL	11152	4

DEV#: 3 DEVICE NAME: \Device\Harddisk5\DR0 TYPE: 2145 POLICY: OPTIMIZED
SERIAL: 6005076801968009A80000000000026

Path#	Adapter/Hard Disk	State	Mode	Select	Errors
0	Scsi Port2 Bus0/Disk5 Path0	OPEN	NORMAL	47507	106
1	Scsi Port2 Bus0/Disk5 Path1	OPEN	NORMAL	402	6
2	Scsi Port3 Bus0/Disk5 Path2	OPEN	NORMAL	51547	76
3	Scsi Port3 Bus0/Disk5 Path3	OPEN	NORMAL	10930	4

DEV#: 4 DEVICE NAME: \Device\Harddisk6\DR0 TYPE: 2145 POLICY: OPTIMIZED
SERIAL: 6005076801968009A80000000000027

Path#	Adapter/Hard Disk	State	Mode	Select	Errors
0	Scsi Port2 Bus0/Disk6 Path0	OPEN	NORMAL	45604	107
1	Scsi Port2 Bus0/Disk6 Path1	OPEN	NORMAL	45	6
2	Scsi Port3 Bus0/Disk6 Path2	OPEN	NORMAL	60839	76
3	Scsi Port3 Bus0/Disk6 Path3	OPEN	NORMAL	31	4

DEV#: 5 DEVICE NAME: \Device\Harddisk7\DR0 TYPE: 2145 POLICY: OPTIMIZED
SERIAL: 6005076801968009A80000000000029

Path#	Adapter/Hard Disk	State	Mode	Select	Errors
0	Scsi Port2 Bus0/Disk7 Path0	OPEN	NORMAL	46439	80
1	Scsi Port2 Bus0/Disk7 Path1	OPEN	NORMAL	423	6
2	Scsi Port3 Bus0/Disk7 Path2	OPEN	NORMAL	50638	76
3	Scsi Port3 Bus0/Disk7 Path3	OPEN	NORMAL	10226	4

DEV#: 6 DEVICE NAME: \Device\Harddisk8\DR0 TYPE: 2145 POLICY: OPTIMIZED
SERIAL: 6005076801968009A80000000000028

Path#	Adapter/Hard Disk	State	Mode	Select	Errors
0	Scsi Port2 Bus0/Disk8 Path0	OPEN	NORMAL	42857	92
1	Scsi Port2 Bus0/Disk8 Path1	OPEN	NORMAL	46	6
2	Scsi Port3 Bus0/Disk8 Path2	OPEN	NORMAL	61256	53
3	Scsi Port3 Bus0/Disk8 Path3	OPEN	NORMAL	31	4

DEV#: 7 DEVICE NAME: \Device\Harddisk9\DR0 TYPE: 2145 POLICY: OPTIMIZED
SERIAL: 6005076801968009A8000000000002A

Path#	Adapter/Hard Disk	State	Mode	Select	Errors
0	Scsi Port2 Bus0/Disk9 Path0	OPEN	NORMAL	2161	62
1	Scsi Port2 Bus0/Disk9 Path1	OPEN	NORMAL	108007	27
2	Scsi Port3 Bus0/Disk9 Path2	OPEN	NORMAL	50767	50
3	Scsi Port3 Bus0/Disk9 Path3	OPEN	NORMAL	10214	4

Uninstalling SDDDSM

Attention:

1. You must install SDDDSM immediately before performing a system restart to avoid any potential data loss. Go to “Installing SDDDSM” on page 355 for instructions.
2. If you are not planning to reinstall SDDDSM after the uninstallation, ensure that there is a single-path connection from the system to the storage device before performing a restart to avoid any potential data loss.

Perform the following steps to uninstall SDDDSM on a Windows Server 2003 host system:

1. Log on as the administrator user.
2. Click **Start** → **Settings** → **Control Panel**. The Control Panel opens.
3. Double-click **Add/Remove Programs**. The Add/Remove Programs window opens.
4. In the Add/Remove Programs window, select **Subsystem Device Driver DSM** from the currently installed programs selection list.
5. Click **Add/Remove**. You will be asked to confirm that you want to uninstall.
6. Shut down your Windows Server 2003 host system after the uninstallation process has been completed.
7. Change the zoning configuration or cable connections to ensure that there is only single-path connection from the system to the storage device.
8. Power on your Windows Server 2003 host system.

SAN boot support

Use the following procedures for SAN boot support.

Remote boot support for 32-bit Windows Server 2003 using a QLogic HBA

Perform the following steps to install SDD:

1. Configure the SAN Environment so that both Qlogic HBAs in the server can see the SAN boot device.
2. Start the server with 2 fibre-channel cables connected to both HBAs.
3. Press **Ctrl+Q** to go to Qlogic Bios Fast Utilities.
4. Select the first HBA.
5. Select **Configuration Settings**.
6. Select **Host Adapter Setting**. Enable the BIOS.
7. Press **ESC**.
8. Select **Selectable Boot Settings**.
9. Enable **Selectable Boot**.
10. Select **first (primary) boot** and press **Enter**.
11. Select **IBM storage device** and press **Enter**.
12. At the **Select LUN** prompt, select the first supported LUN, which is LUN 0.
13. Press **Esc** and select **Save Changes**.
14. Select the second HBA and repeat steps 5-13.

15. Remove the fibre-channel cable from the second HBA so that you have only a single path to first HBA.
16. Restart the server with Windows Server 2003 with latest Service Pack CD-ROM.
17. At the very first Windows 2003 installation screen, quickly press **F6** to install the third-party device.
18. Select **S** to specify an additional device.
19. Insert the diskette with the Qlogic storaport miniport driver into the diskette drive and press **Enter**.
20. Continue with the Windows 2003 installation process. Remember to select the SAN device that is seen by Qlogic HBA as the device to install Windows 2003. Continue with the OS installation.
21. After Windows 2003 is successfully installed on the SAN boot device, shut down the system.
22. Unplug the fibre-channel cable from first HBA and plug the fibre-channel cable to the second HBA so that you have a single path from second HBA to the SAN device.
23. Restart the server. The system should come up in SAN Boot mode.
24. Install the latest SDDDSM and restart.
25. To add multipath support to a SAN boot device:
 - a. Shut down the server.
 - b. Plug in the fibre-channel cable to the other HBA.
 - c. Configure the SAN to have more paths to SAN boot device if needed.
26. Restart the server.

Booting from a SAN device with Windows 2003 and SDD using an Emulex HBA

Note: The **Automatic LUN Mapping** checkbox of the Emulex Configuration Settings should be selected so that both HBA ports can see all assigned LUNs.

Perform the following steps.

1. Configure the SAN Environment so that both Emulex HBAs in the server can see the SAN boot device.
2. Boot the server with 2 fibre-channel cables connected to both HBAs.
3. Press **Alt+E** to go to the Emulex BIOS Utilities.
4. Select the first HBA.
5. Select **Configure HBA Parameter Settings**.
6. Select **Option 1** to enable BIOS for this HBA.
7. Press **Page Up** to go back. Then select **Configure Boot Device**.
8. Select the first unused boot device for **Select Boot Entry** from the **List Of Saved Boot Devices**.
9. Select **01** for **Select The Two Digit Number Of The Desired Boot Device**.
10. Enter **00** for **Enter Two Digit Of Starting LUNs (hexadecimal)**.
11. Select device number 01 for **Enter Selection For Starting LUN**.
12. Select **Boot Device Via WWPN**.
13. Page up. Then select the second HBA. Repeat steps 5-12 to configure boot support for this HBA.

14. Unplug the fibre-channel cable from second HBA and plug the fibre-channel cable to the first HBA so that you have a single path from first HBA to the SAN device.
15. Restart the server with Windows 2003 with latest Service Pack CD-ROM.
16. At the very first Windows 2003 installation screen, quickly press **F6** to install third-party device.
17. Select **S** to specify an additional device.
18. Insert the diskette with the Emulex HBA driver into the diskette drive and press **Enter**.
19. Continue with the Windows 2003 installation process. Remember to select the SAN device seen by the Emulex HBA as the device to install Windows 2003. Continue with the OS installation.
20. After Windows 2003 is successfully installed on the SAN Boot device, shut down the system.
21. Unplug the fibre-channel cable from the first HBA and plug in the fibre-channel cable to the second HBA so that you have a single path from second HBA to SAN device.
22. Restart the server. The system should be up in SAN boot mode.
23. Install the latest SDD and restart.
24. To add multipath support to a SAN boot device:
 - a. Shut down the server.
 - b. Plug in the fibre-channel cable to the other HBA.
 - c. Configure the SAN to have more paths to the SAN boot device if needed.
25. Restart the server.

Support for Windows Server 2003 clustering

When running Windows Server 2003 clustering, clustering failover might not occur when the last path is being removed from the shared resources. See *Microsoft article Q294173* for additional information. Windows Server 2003 does not support dynamic disks in the MSCS environment.

Special considerations in the Windows Server 2003 clustering environment

There are subtle differences in the way that SDDDSM handles path reclamation in a Windows Server 2003 clustering environment compared to a nonclustering environment. When the Windows Server 2003 server loses a path in a nonclustering environment, the path condition changes from open to dead and the adapter condition changes from active to degraded. The adapter and path condition will not change until the path is made operational again. When the Windows Server 2003 server loses a path in a clustering environment, the path condition changes from open to dead and the adapter condition changes from active to degraded. However, after a period of time, the path condition changes back to open and the adapter condition changes back to normal, even if the path has not been made operational again.

Note: The adapter goes to DEGRAD state when there are active paths left on the adapter. It goes to FAILED state when there are no active paths.

The **datapath set adapter # offline** command operates differently in a clustering environment as compared to a nonclustering environment. In a clustering environment, the **datapath set adapter offline** command does not change the

condition of the path if the path is active or being reserved. If you issue the command, the following message is displayed: to preserve access some paths left online.

Configuring a Windows 2003 cluster with SDDDSM installed

The following variables are used in this procedure:

server_1 Represents the first server with two HBAs.

server_2 Represents the second server with two HBAs.

Perform the following steps to configure a Windows Server 2003 cluster with SDDDSM:

1. On both *server_1* and *server_2*, configure SAN devices on supported storage as shared for all HBAs.
2. Install the latest SDDDSM on *server_1*. For installation instructions, see “Installing SDDDSM” on page 355.
3. Connect fibre-channel cables from *server_1* to the supported storage, and restart *server_1*.
4. Use the **datapath query adapter** and **datapath query device** commands to verify the correct number of SAN devices and paths on *server_1*.
5. Click **Start** → **All Programs** → **Administrative Tools** → **Computer Management**. From the Computer Management window, select **Storage** and then select **Disk Management** to work with the storage devices attached to the host system.
6. Format the raw devices with NTFS and assign drive letters for all SAN devices that are going to be used as MSCS resources. Ensure that you keep track of the assigned drive letters on *server_1*.
7. Shut down *server_1*.
8. Install the latest SDDDSM on *server_2*. For installation instructions, see “Installing SDDDSM” on page 355.
9. Connect fibre-channel cables from *server_2* to the supported storage, and restart *server_2*.
10. Use the **datapath query adapter** and **datapath query device** commands to verify the correct number of SAN devices and paths on *server_2*.
11. Click **Start** → **All Programs** → **Administrative Tools** → **Computer Management**. From the Computer Management window, select **Storage** and then select **Disk Management** to work with the storage devices attached to the host system. Verify that the assigned drive letters for MSCS resources on *server_2* match the assigned drive letters on *server_1*.
12. Insert the Windows 2003 CD-ROM into the CD-ROM drive and install the MSCS software on *server_2*.
13. Restart *server_1*.
14. Insert the Windows 2003 CD-ROM into the CD-ROM drive and install the MSCS software on *server_1* as the second node of the MSCS cluster.
15. Use the **datapath query adapter** and **datapath query device** commands to verify that the correct number of LUNs and paths on *server_1* and *server_2*. (This step is optional.)

Note: You can use the **datapath query adapter** and **datapath query device** commands to show all the physical and logical volumes for the host server. The secondary server shows only the physical volumes and the logical volumes that it owns.

Information about installing a Windows 2003 cluster can be found in the confclus.exe file, located at:

www.microsoft.com/downloads/details.aspx?displaylang=en&familyid=96F76ED7-9634-4300-9159-89638F4B4EF7

For additional information about setting clusters in Windows Server 2003 with SDDDSM, refer to the SDDDSM readme.

Removing SDDDSM in a two-node cluster environment

Use the following steps if you intend to remove the multipathing functions to a SAN device in a two-node cluster environment.

Perform the following steps to remove SDDDSM in a two-node cluster environment:

1. Move all cluster resources from node A to node B.
2. Ensure that there is a single-path connection from the system to the storage device which may include the following activities:
 - a. Disable access of second HBA to the storage device.
 - b. Change the zoning configuration to allow only one port accessed by this host.
 - c. Remove shared access to the second HBA through the IBM TotalStorage Expert V.2.1.0 Specialist.
 - d. Remove multiple SAN Volume Controller port access, if applicable.
3. Uninstall SDDDSM. See “Uninstalling SDDDSM” on page 361 for instructions.
4. Restart your system.
5. Move all cluster resources from node B to node A.
6. Perform steps 2 - 5 on node B.

SDDDSM datapath command support

SDDDSM supports the following **datapath** commands:

- **datapath query adapter []**
- **datapath query device [] [] [-d] [-i /()] [-l] [-s]**
- **datapath set adapter online/offline**
- **datapath set device online/offline**
- **datapath query adaptstats []**
- **datapath query devstats [] [] [-d] [-i /()] [-l] [-s]**
- **datapath query wwpn**

Beginning with SDDDSM version 2.1.1.0, SDDDSM also supports the following datapath commands:

- **datapath query version**
- **datapath query portmap**
- **datapath query essmap**
- **datapath set device /() policy rr/fo/lb/df**
- **datapath clear device /() count error/all**
- **datapath disable/enable ports ess**

Note: The options [], [-d], [-i /()], [-s] in **datapath query device** are supported only by SDDDSM 2.1.1.0 or later.

Refer to the “Using the datapath commands” chapter of the *IBM System Storage Multipath Subsystem Device Driver User’s Guide* for additional information about the **datapath** commands.

SDDDSM server daemon

The SDDDSM server (also referred to as `sddsrv`) is an integrated component of SDDDSM . This component consists of a Windows application daemon that is installed in addition to the SDDDSM device driver.

Verifying if the SDDDSM server has started

After you have installed SDD, verify if the SDDDSM server (`sddsrv`) has automatically started:

1. Click **Start** → **Programs** → **Administrative Tools** → **Computer Management**.
2. Expand the Services and Applications tree.
3. Click **Services**.
4. Right-click **SDD Service**.
5. Click **Start**. The status of SDD Service should be *Started* if the SDDDSM server has automatically started.

Starting the SDDDSM server manually

If the SDDDSM server did not start automatically after you performed the SDDDSM installation, you can start `sddsrv`:

1. Click **Start** → **Programs** → **Administrative Tools** → **Computer Management**.
2. Expand the Services and Applications tree.
3. Click **Services**.
4. Right-click **SDD Service**.
5. Click **Start**.

Changing to a different port number for the SDDDSM server

To change to a different port number for the SDDDSM server, refer to the *IBM System Storage Multipath Subsystem Device Driver User’s Guide*.

Stopping the SDDDSM server

To stop the SDDDSM server:

1. Click **Start** → **Programs** → **Administrative Tools** → **Computer Management**.
2. Expand the Services and Applications tree.
3. Click **Services**.
4. Right-click **SDD Service**.
5. Click **Stop**.

Chapter 12. Using the SDD server and the SDDPCM server

SDD Server (sddsrv) is an application program that is installed in addition to SDD.

SDDPCM server (pcmsrv) is an integrated component of SDDPCM 2.0.1.0 (or later).

SDD server daemon

The SDD Server daemon (sddsrv) starts automatically after the SDD driver package is installed. The sddsrv daemon runs in the background at all times. The daemon scans to find failing paths (INVALID, CLOSE_DEAD, or DEAD) at regular intervals between two and five minutes unless otherwise indicated for a specific platform. The daemon probes idle paths that are in the CLOSE or OPEN states at regular, one-minute intervals unless otherwise indicated for a specific platform. See the chapter in this guide for the specific platform for modifications to sddsrv operation.

Note: sddsrv is not available on NetWare host systems.

Understanding how the SDD server daemon works

The sddsrv daemon provides path reclamation and path probing.

Path reclamation

The SDD server regularly tests and recovers broken paths that have become operational. It tests INVALID, CLOSE_DEAD, or DEAD paths and detects if these paths have become operational. The daemon “sleeps” for three-minute intervals between consecutive executions unless otherwise specified for a specific platform. If the test succeeds, then sddsrv reclaims these paths and changes the states of these paths according to the following characteristics:

- If the state of the SDD vpath device is OPEN, then sddsrv changes the states of INVALID and CLOSE_DEAD paths of that SDD vpath device to OPEN.
- If the state of the SDD vpath device is CLOSE, then sddsrv changes the states of CLOSE_DEAD paths of that SDD vpath device to CLOSE.
- sddsrv changes the states of DEAD paths to OPEN.

Path probing

The SDD server regularly tests CLOSE paths and OPEN paths that are idle to see if they are operational or have become not operational. The daemon “sleeps” for one-minute intervals between consecutive executions unless otherwise specified for a specific platform. If the test fails, sddsrv then changes the states of these paths according to the following characteristics:

- If the SDD vpath device is in the OPEN state and the path is not working, then sddsrv changes the state of the path from OPEN to DEAD.
- If the SDD vpath device is in the CLOSE state and the path is not working, then sddsrv changes the state of the path from CLOSE to CLOSE_DEAD.
- sddsrv will put the last path to DEAD or CLOSE_DEAD depending upon the state of the SDD vpath device.

Note: sddsrv will not test paths that are manually placed offline.

In SDD 1.5.0.x (or earlier), sddsrv by default was binding to a TCP/IP port and listening for incoming requests. In SDD 1.5.1.x (or later), sddsrv does not bind to any TCP/IP port by default, but allows port binding to be dynamically enabled or

disabled. For all platform except Linux, the SDD package ships a template file of `sddsrv.conf` that is named `sample_sddsrv.conf`. On all UNIX platforms except Linux, the `sample_sddsrv.conf` file is located in the `/etc` directory. On Windows platforms, the `sample_sddsrv.conf` file is in the directory where SDD is installed. You must use the `sample_sddsrv.conf` file to create the `sddsrv.conf` file in the same directory as `sample_sddsrv.conf` by simply copying it and naming the copied file `sddsrv.conf`. You can then dynamically change port binding by modifying parameters in `sddsrv.conf`.

Because `sddsrv`'s TCP/IP interface is disabled by default, you cannot get `sddsrv` traces from a Web browser like you could in SDD releases earlier than 1.5.1.0. Starting with SDD 1.5.1.x, the `sddsrv` trace is saved in `sddsrv.log` and `sddsrv_bak.log` files. The `sddsrv` trace log files are wrap-around files and each file is maximum of 4 MB in size. `sddsrv` also collects the SDD driver trace and puts it in log files. It creates `sdd.log` and `sdd_bak.log` files for the driver trace. The SDD driver trace log files are also wrap-around files and each file is maximum of 4 MB in size. You will find `sddsrv.log`, `sddsrv_bak.log`, `sdd.log` and `sdd_bak.log` files in the following directory based on your host system platform:

- AIX - `/var/adm/ras`
- HP-UX - `/var/adm`
- Linux - `/var/log`
- Solaris- `/var/adm`
- Windows 2000 and Windows NT - `\WINNT\system32`
- Windows Server 2003 - `\Windows\system32`

See Appendix A, "SDD and SDDPCM data collection for problem analysis," on page 399 for information about reporting SDD problems.

sddsrv and the IBM TotalStorage Expert V.2.1.0

The IBM TotalStorage Expert V.2.1.0 needs to communicate with `sddsrv` through a TCP/IP socket on the port on which `sddsrv` is running. The `sddsrv` TCP/IP port must be enabled to listen over the network when the IBM TotalStorage Expert V.2.1.0 is collecting host volume data. You should apply your corporate security rules to this port.

sddsrv and IBM TotalStorage support for Geographically Dispersed Sites for Microsoft Cluster Service

The `sddsrv` TCP/IP port must be enabled to listen over the network if you are using IBM TotalStorage Support for Geographically Dispersed Sites for Microsoft Cluster Service (MSCS). You should apply your corporate security rules to this port.

SDDPCM server daemon

The SDDPCM server daemon (`pcmsrv`) component consists of a UNIX application daemon that is installed in addition to the SDDPCM path control module.

The `pcmsrv` daemon only provides the path-reclamation function for SDDPCM. It regularly tests and recovers broken paths that have become operational. It tests `OPEN_FAILED` paths when healthcheck is turned off. It also tests `CLOSE_FAILED` paths for devices that are in the `CLOSED` state. The daemon "sleeps" for one-minute intervals between consecutive executions. If the test succeeds, then `pcmsrv` reclaims these paths and changes the states of these paths according to the following characteristics:

- If the state of the device is OPEN, and healthcheck function is turned off, then pcmsrv changes the states of OPEN_FAILED paths of that device to OPEN.
- If the state of the device is CLOSE, then pcmsrv changes the states of CLOSE_FAILED paths of the device to CLOSE.

pcmsrv does not bind to any TCP/IP port by default but allows port binding to be dynamically enabled or disabled. The SDDPCM package ships a template file of pcmsrv.conf that is named as sample_pcmsrv.conf. The sample_pcmsrv.conf file is located in the /etc directory. You must use the sample_pcmsrv.conf file to create the pcmsrv.conf file in the /etc directory by simply copying sample_pcmsrv.conf and naming the copied file pcmsrv.conf. You can then dynamically change port binding by modifying parameters in pcmsrv.conf. The trace for pcmsrv is saved in pcmsrv.log and pcmsrv_bak.log files. These are wrap-around files and each is a maximum of 4 MB in size. Trace files are located in the /var/adm/ras directory.

sddsrv.conf and pcmsrv.conf file format

The sddsrv.conf and pcmsrv.conf files contain the following parameters:

- enableport - This parameter allows you to enable or disable sddsrv or pcmsrv to bind to a TCP/IP port. The default value of this parameter is set to *false* (disabled). You can set this parameter to true if you want to enable the TCP/IP interface of sddsrv or pcmsrv.
- loopbackbind - If you set the enableport parameter to *true*, then the loopbackbind parameter specifies whether sddsrv or pcmsrv will listen to any Internet address or the loopback (127.0.0.1) address. To enable sddsrv or pcmsrv to listen to any Internet address, the loopbackbind parameter must be set to *false*. To enable sddsrv or pcmsrv to listen only to the loopback address 127.0.0.1, the loopbackbind parameter must be set to *true*.
- portnumber - This parameter specifies the port number that sddsrv or pcmsrv will bind to. The default value of this parameter is 20001. You can modify this parameter to change the port number. If the enableport parameter is set to true, then this parameter must be set to a valid port number to which sddsrv or pcmsrv can bind. Use a port number that is not used by any other application.

You can modify these parameters while sddsrv or pcmsrv is executing to enable or disable the TCP/IP interface dynamically.

Enabling or disabling the sddsrv or pcmsrv TCP/IP port

By default, sddsrv and pcmsrv do not bind to any TCP/IP port because the enableport parameter defaults to a value of false. However, you can enable or disable port binding by changing the enableport parameter in the sddsrv.conf/pcmsrv.conf file.

enableport = *true* will enable sddsrv or pcmsrv to bind to a TCP/IP port.

enableport = *false* will disable sddsrv or pcmsrv from binding to a TCP/IP port.

Changing the sddsrv or pcmsrv TCP/IP port number

You can modify the portnumber parameter in the configuration file to change the port number to which sddsrv or pcmsrv can bind. Use a port number that is not used by any other application. If the enableport parameter is set to *true*, then only sddsrv or pcmsrv will bind to the port number specified. The default value of this parameter is 20001.

Chapter 13. Using the datapath commands

SDD provides commands that you can use to:

- Display the status of adapters that are used to access managed devices.
- Display the status of devices that the device driver manages.
- Dynamically set the status of paths or adapters to *online* or *offline*.
- Dynamically remove paths or adapters.
- Open an Invalid or Close_Dead path.
- Change the path selection algorithm policy of a device.
- Run the essutil Product Engineering tool.
- Dynamically clear the select counter or error counter

This chapter includes descriptions of these commands. Table 32 provides an alphabetical list of these commands, a brief description, and where to go in this chapter for more information.

Table 32. Commands

Command	Description	Page
datapath clear device count	Dynamically clears the select counter or error counter.	373
datapath disable ports	Places paths connected to certain ports offline.	374
datapath enable ports	Places paths connected to certain ports online.	375
datapath open device path	Dynamically opens a path that is in an Invalid or Close_Dead state.	376
datapath query adapter	Displays information about adapters.	378
datapath query adaptstats	Displays performance information for all SCSI and FCS adapters that are attached to SDD devices.	380
datapath query device	Displays information about devices.	381
datapath query devstats	Displays performance information for a single SDD vpath device or all SDD vpath devices.	384
datapath query essmap	Displays each SDD vpath device, path, location, and attributes.	386
datapath query portmap	Displays the connection status of SDD vpath devices with regard to the storage ports to which they are attached.	387
datapath query version	Displays the version of SDD that is installed.	389
datapath query wwpn	Displays the World Wide Port Name (WWPN) of the host fibre-channel adapters.	390
datapath remove adapter	Dynamically removes an adapter.	391
datapath remove device path	Dynamically removes a path of an SDD vpath device.	392
datapath set adapter	Sets all device paths that are attached to an adapter to online or offline.	394

Table 32. Commands (continued)

Command	Description	Page
datapath set device policy	Dynamically changes the path-selection policy of a single or multiple SDD vpath devices.	395
datapath set device path	Sets the path of an SDD vpath device to online or offline.	396
datapath set qdepth	Dynamically enables or disables queue depth.	397

datapath clear device count

The **datapath clear device count** command dynamically sets the select counter or error counter to zero.

Syntax

```
datapath clear device number 1 count error  
                        device number 2 all
```

Parameters

device number 1 <device number 2>

When two device numbers are entered, this command applies to all the devices whose index numbers fit within the range of these two device index numbers.

error

Clears only the error counter of the SDD vpath device or range of devices specified.

all Clear both the select counter and the error counter of the SDD vpath device or devices in the specified range.

Examples

If you have a nonzero select counter or error counter, entering the **datapath query device** command causes the following output to be displayed:

```
DEV#: 0 DEVICE NAME: vpath0 TYPE: 2145 POLICY: Optimized  
SERIAL: 600507680181006B20000000000000D1  
=====
```

Path#	Adapter/Hard Disk	State	Mode	Select	Errors
0	fscsi0/hdisk15	CLOSE	NORMAL	53020	47
1	fscsi0/hdisk20	CLOSE	NORMAL	0	0
2	fscsi1/hdisk55	CLOSE	NORMAL	365742	0
3	fscsi1/hdisk60	CLOSE	NORMAL	0	0

If you enter the **datapath clear device 0 count all** command and then enter the **datapath query device** command, the following output is displayed:

```
DEV#: 0 DEVICE NAME: vpath0 TYPE: 2145 POLICY: Optimized  
SERIAL: 600507680181006B20000000000000D1  
=====
```

Path#	Adapter/Hard Disk	State	Mode	Select	Errors
0	fscsi0/hdisk15	CLOSE	NORMAL	0	0
1	fscsi0/hdisk20	CLOSE	NORMAL	0	0
2	fscsi1/hdisk55	CLOSE	NORMAL	0	0
3	fscsi1/hdisk60	CLOSE	NORMAL	0	0

datapath disable ports

The **datapath disable ports** command sets SDD vpath device paths offline for specified disk storage system location code.

Note: This command is not supported for Novell host systems.

Syntax

```
▶▶—datapath disable ports—<connection>—ess <essid>—————▶▶
```

Parameters

connection

The connection code must be in one of the following formats:

- Single port = R1-Bx-Hy-Zz
- All ports on card = R1-Bx-Hy
- All ports on bay = R1-Bx

Use the output of the **datapath query essmap** command to determine the connection code.

essid

The disk storage system serial number, given by the output of the **datapath query portmap** command.

Examples

If you enter the **datapath disable ports R1-B1-H3 ess 12028** command and then enter the **datapath query device** command, the following output is displayed:

```
DEV#: 0 DEVICE NAME: vpath0 TYPE: 2105E20 POLICY: Optimized  
SERIAL: 20112028
```

```
=====
```

Path#	Adapter/Path Name	State	Mode	Select	Errors
0	fscsi0/hdisk2	DEAD	OFFLINE	6	0
1	fscsi0/hdisk4	OPEN	NORMAL	9	0
2	fscsi1/hdisk6	DEAD	OFFLINE	11	0
3	fscsi1/hdisk8	OPEN	NORMAL	9	0

datapath enable ports

The **datapath enable ports** command sets SDD vpath device paths online for specified disk storage system location code.

Note: This command is not supported for Novell host systems.

Syntax

▶▶—datapath enable ports—*connection-ess* *essid*—▶▶

Parameters

connection

The connection code must be in one of the following formats:

- Single port = R1-Bx-Hy-Zz
- All ports on card = R1-Bx-Hy
- All ports on bay = R1-Bx

Use the output of the **datapath essmap** command to determine the connection code.

essid

The disk storage system serial number, given by the output of the **datapath query portmap** command.

Examples

If you enter the **datapath enable ports R1-B1-H3 ess 12028** command and then enter the **datapath query device command**, the following output is displayed:

```
DEV#: 0 DEVICE NAME: vpath0 TYPE: 2105E20 POLICY: Optimized
SERIAL: 20112028
```

```
=====
Path#  Adapter/Path Name  State  Mode      Select  Errors
0      fscsi0/hdisk2         OPEN   NORMAL    6       0
1      fscsi0/hdisk4         OPEN   NORMAL    9       0
2      fscsi1/hdisk6         OPEN   NORMAL   11       0
3      fscsi1/hdisk8         OPEN   NORMAL    9       0
```

datapath open device path

The **datapath open device path** command dynamically opens a path that is in Invalid or Close_Dead state. You can use this command even when the I/O is actively running.

Note: This command is supported for AIX, HP, Linux, and Sun host systems.

Syntax

▶▶—datapath open device—*device number*—path—*path number*—▶▶

Parameters

device number

The device number refers to the device *index* number as displayed by the **datapath query device** command.

path number

The path number that you want to change, as displayed by the **datapath query device** command.

Examples

If you enter the **datapath query device 8** command, the following output is displayed:

```
DEV#: 8 DEVICE NAME: vpath9 TYPE: 2105E20 POLICY: Optimized
SERIAL: 20112028
```

```
=====
Path#    Adapter/Hard Disk    State    Mode    Select    Errors
  0      fscsi1/hdisk18      OPEN     NORMAL  557       0
  1      fscsi1/hdisk26      OPEN     NORMAL  568       0
  2      fscsi0/hdisk34      INVALID  NORMAL   0         0
  3      fscsi0/hdisk42      INVALID  NORMAL   0         0
```

Note that the current state of path 2 is INVALID.

If you enter the **datapath open device 8 path 2** command, the following output is displayed:

```
Success: device 8 path 2 opened
```

```
DEV#: 8 DEVICE NAME: vpath9 TYPE: 2105E20 POLICY: Optimized
SERIAL: 20112028
```

```
=====
Path#    Adapter/Hard Disk    State    Mode    Select    Errors
  0      fscsi1/hdisk18      OPEN     NORMAL  557       0
  1      fscsi1/hdisk26      OPEN     NORMAL  568       0
  2      fscsi0/hdisk34      OPEN     NORMAL   0         0
  3      fscsi0/hdisk42      INVALID  NORMAL   0         0
```

After issuing the **datapath open device 8 path 2** command, the state of path 2 becomes OPEN.

The terms used in the output are defined as follows:

Dev# The number of this device.

Device name

The name of this device.

Type The device product ID from inquiry data.

Policy The current path-selection policy selected for the device. See “datapath set device policy” on page 395 for a list of valid policies.

Serial The logical unit number (LUN) for this device.

Path# The path number displayed by the **datapath query device** command.

Adapter

The name of the adapter to which the path is attached.

Hard Disk

The name of the logical device to which the path is bound.

State The condition of the named device:

Open Path is in use.

Close Path is not being used.

Close_Dead

Path is broken and is not being used.

Dead Path is no longer being used.

Invalid

The path failed to open.

Mode The mode of the named path, which is either Normal or Offline.

Select The number of times that this path was selected for input and output.

Errors The number of input errors and output errors that are on this path.

datapath query adapter

The **datapath query adapter** command displays information about a single adapter or all adapters.

Syntax

▶—datapath query adapter—*adapter number*————▶

Parameters

adapter number

The index number for the adapter for which you want information displayed. If you do not enter an adapter index number, information about all adapters is displayed.

Examples

If you enter the **datapath query adapter** command, the following output is displayed:

Active Adapters :4

Adpt#	Name	State	Mode	Select	Errors	Paths	Active
0	scsi3	NORMAL	ACTIVE	129062051	0	64	0
1	scsi2	NORMAL	ACTIVE	88765386	303	64	0
2	fscsi2	NORMAL	ACTIVE	407075697	5427	1024	0
3	fscsi0	NORMAL	ACTIVE	341204788	63835	256	0

The terms used in the output are defined as follows:

Adpt #

The number of the adapter defined by SDD.

Adapter Name

The name of the adapter.

State The condition of the named adapter. It can be either:

Normal

Adapter is in use.

Degraded

One or more paths attached to the adapter are not functioning.

Failed All paths attached to the adapter are no longer operational.

Mode The mode of the named adapter, which is either Active or Offline.

Select The number of times this adapter was selected for input or output.

Errors The number of errors on all paths that are attached to this adapter.

Paths The number of paths that are attached to this adapter.

Note: In the Windows NT host system, this is the number of physical and logical devices that are attached to this adapter.

Active The number of functional paths that are attached to this adapter. The number of functional paths is equal to the number of paths attached to this adapter minus any that are identified as failed or offline.

Note: Windows 2000 and Windows Server 2003 host systems can display different values for State and Mode depending on adapter type when a path is placed

offline due to a bay quiescence.

datapath query adaptstats

The **datapath query adaptstats** command displays performance information for all SCSI and fibre-channel adapters that are attached to SDD devices. If you do not enter an adapter number, information about all adapters is displayed.

Syntax

```
▶▶—datapath query adaptstats—adapter number—————▶▶
```

Parameters

adapter number

The index number for the adapter for which you want information displayed. If you do not enter an adapter index number, information about all adapters is displayed.

Examples

If you enter the **datapath query adaptstats 0** command, the following output is displayed:

```
Adapter #: 0
=====
                Total Read  Total Write  Active Read  Active Write  Maximum
I/O:                1442      41295166           0           2           75
SECTOR:              156209      750217654           0           32          2098

/*-----*/
```

The terms used in the output are defined as follows:

Total Read

- I/O: total number of completed Read requests
- SECTOR: total number of sectors that have been read

Total Write

- I/O: total number of completed Write requests
- SECTOR: total number of sectors that have been written

Active Read

- I/O: total number of Read requests in process
- SECTOR: total number of sectors to read in process

Active Write

- I/O: total number of Write requests in process
- SECTOR: total number of sectors to write in process

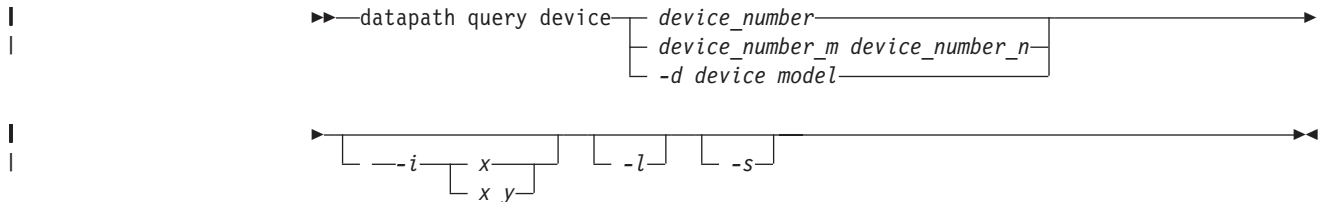
Maximum

- I/O: the maximum number of queued I/O requests
- SECTOR: the maximum number of queued sectors to Read or Write

datapath query device

The **datapath query device** command displays information about a single device or all devices. If you do not enter a device number, information about all devices is displayed. The option to specify a device model cannot be used when you query a specific device number.

Syntax



Parameters

device_number

The *device_number* refers to the device *index* number as displayed by the **datapath query device** command, rather than the SDD device number.

device_number_m device_number_n

Use the *device_number_m device_number_n* option to provide a range of device index numbers.

*-d device model*¹

The device model that you want to display.

Examples of valid device models include the following models:

2105 Display all 2105 models (ESS).

2105F Display all 2105 F models (ESS).

2105800
Display all 2105 800 models (ESS).

2145 Display all 2145 models (SAN Volume Controller).

2107 Display all DS8000 models.

1750 Display all DS6000 models.

-i Repeats the command every *x* seconds for *y* times. If *y* is not specified, the command will repeat every *x* seconds indefinitely.

-l Marks the non-preferred paths with an asterisk.

-s Queries the SCSI address of the device. This option is available for both SDD 1.6.1.x (or later) and SDDDSM 2.1.1.x (or later) for Windows platforms.

Examples

If you enter the **datapath query device 0** command, the following output is displayed:

1. The option to specify a device model is supported on all platforms except Novell.

```

DEV#: 0 DEVICE NAME: vpath0 TYPE: 2145 POLICY: Optimized
SERIAL: 6005076801818008C000000000000065
=====
Path# Adapter/Hard Disk State Mode Select Errors
0 fscsi1/hdisk72 OPEN NORMAL 0 0
1 fscsi0/hdisk22 OPEN NORMAL 5571118 0
2 fscsi0/hdisk32 OPEN NORMAL 0 0
3 fscsi1/hdisk62 OPEN NORMAL 5668419 0

```

If you enter the **datapath query device 0 -l** command for a device type that has preferred and non-preferred paths, the following output is displayed:

```

DEV#: 0 DEVICE NAME: vpath0 TYPE: 2145 POLICY: Optimized
SERIAL: 6005076801818008C000000000000065
LUN IDENTIFIER: 6005076801818008C000000000000065
=====
Path# Adapter/Hard Disk State Mode Select Errors
0* fscsi1/hdisk72 OPEN NORMAL 0 0
1 fscsi0/hdisk22 OPEN NORMAL 5571118 0
2* fscsi0/hdisk32 OPEN NORMAL 0 0
3 fscsi1/hdisk62 OPEN NORMAL 5668419 0

```

Notes:

1. Usually, the *device number* and the *device index* number are the same. However, if the devices are configured out of order, the two numbers are not always consistent. To find the corresponding index number for a specific device, you should always run the **datapath query device** command first.
2. For SDD 1.4.0.0 (or later), the location of Policy and Serial Number are swapped.

The terms used in the output are defined as follows:

Dev# The number of this device defined by SDD.

Name The name of this device defined by SDD.

Type The device product ID from inquiry data.

Policy The current path selection policy selected for the device. See “datapath set device policy” on page 395 for a list of valid policies.

Serial The LUN for this device.

Path# The path number.

Adapter

The name of the adapter to which the path is attached.

Hard Disk

The name of the logical device to which the path is bound.

State The condition of the named device:

Open Path is in use.

Close Path is not being used.

Close_Dead

Path is broken and not being used.

Dead Path is no longer being used. It was either removed by SDD due to errors or manually removed using the **datapath set device M path N offline** or **datapath set adapter N offline** command.

Invalid

The path failed to open.

Mode The mode of the named path. The mode can be either Normal or Offline.

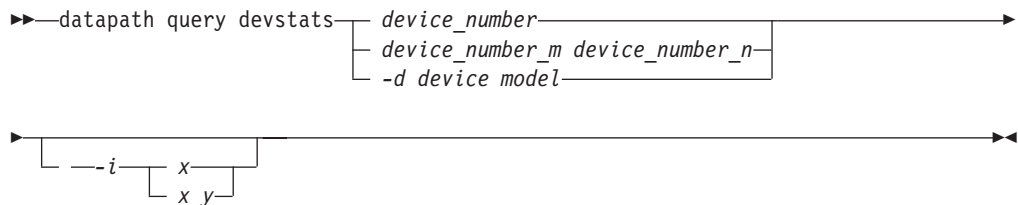
- Select** The number of times this path was selected for input or output.
- Errors** The number of input and output errors on a path that is attached to this device.

datapath query devstats

The **datapath query devstats** command displays performance information for a single SDD device or all SDD devices. If you do not enter a device number, information about all devices is displayed.

The option to specify a device model cannot be used when you query a specific device number.

Syntax



Parameters

device number

The device number refers to the device *index* number as displayed by the **datapath query device** command, rather than the SDD device number.

device_number_m device_number_n

Use the *device_number_m device_number_n* option to provide a range of device index numbers.

*-d device model*²

The device model that you want to display.

Note: The *-d device model* option is supported on AIX only.

Examples of valid device models include the following:

2105 Display all 2105 models (ESS).

2105F Display all 2105 F models (ESS).

2105800

Display all 2105 800 models (ESS).

2145 Display all 2145 models (SAN Volume Controller).

2107 Display all DS8000 models.

1750 Display all DS 6000 models.

-i Repeats the command every *x* seconds for *y* times. If *y* is not specified, the command will repeat every *x* seconds indefinitely.

Examples

If you enter the **datapath query devstats 0** command, the following output is displayed:

2. The option to specify a device model is supported on all platforms except Novell.


```

Device #: 0
=====
                Total Read  Total Write  Active Read  Active Write  Maximum
I/O:                387      24502563         0           0           62
SECTOR:              9738      448308668         0           0          2098

Transfer Size:      <= 512      <= 4k      <= 16K      <= 64K      > 64K
                   4355850      1024164      19121140      1665        130

```

/*-----*/

The terms used in the output are defined as follows:

Total Read

- I/O: total number of completed Read requests
- SECTOR: total number of sectors that have been read

Total Write

- I/O: total number of completed Write requests
- SECTOR: total number of sectors that have been written

Active Read

- I/O: total number of Read requests in process
- SECTOR: total number of sectors to read in process

Active Write

- I/O: total number of Write requests in process
- SECTOR: total number of sectors to write in process

Maximum

- I/O: the maximum number of queued I/O requests
- SECTOR: the maximum number of queued sectors to Read or Write

Transfer size

- <= 512: the number of I/O requests received, whose transfer size is 512 bytes or less
- <= 4k: the number of I/O requests received, whose transfer size is 4 KB or less (where KB equals 1024 bytes)
- <= 16K: the number of I/O requests received, whose transfer size is 16 KB or less (where KB equals 1024 bytes)
- <= 64K: the number of I/O requests received, whose transfer size is 64 KB or less (where KB equals 1024 bytes)
- > 64K: the number of I/O requests received, whose transfer size is greater than 64 KB (where KB equals 1024 bytes)

datapath query essmap

The **datapath query essmap** command displays data collected from the `sddfcmap` program invoked by `cfgmgr`. `sddfcmap` issues SCSI commands directly to the disks (inquiry, read capacity, and log sense) to collect the information displayed.

Notes:

1. This command is not supported for Novell host systems.
2. This command is supported for disk storage systems only.

Syntax

▶▶—datapath query essmap—▶▶

Examples

If you enter the **datapath query essmap** command, the following output is displayed:

Disk	Path	P	Location	adapter	LUN SN	Type	Size	LSS	Vol	Rank	C/A	S ...
vpath20	hdisk1		30-60-01[FC]	fscsi1	13AAAKA1200	IBM 1750-500	1.1	18	0	0000	01	Y ...
vpath20	hdisk720	*	30-60-01[FC]	fscsi1	13AAAKA1200	IBM 1750-500	1.1	18	0	0000	01	Y ...
vpath20	hdisk848		20-60-01[FC]	fscsi0	13AAAKA1200	IBM 1750-500	1.1	18	0	0000	01	Y ...
vpath20	hdisk976	*	20-60-01[FC]	fscsi0	13AAAKA1200	IBM 1750-500	1.1	18	0	0000	01	Y ...

The terms used in the output are defined as follows:

Disk	The logical device name assigned by the host.
Path	The logical path name of an SDD vpath device.
P	Indicates whether the logical path is a preferred path or non-preferred path. "*" indicates it is a non-preferred path. This field applies only to 1750 devices.
Location	The physical location code of the host adapter through which the LUN is accessed.
Adapter	The logical adapter name assigned by the host LUN.
LUN SN	The unique serial number for each LUN within the disk storage system.
Type	The device and model.
Size	The configured capacity of the LUN.
LSS	The logical subsystem where the LUN resides.
Vol	The volume number within the disk storage system.
Rank	The unique identifier for each RAID array within the disk storage system.
C/A	The cluster and adapter accessing the array.
S	Indicates that the device is shared by two and more disk storage system ports. Valid values are <i>yes</i> or <i>no</i> .
Connection	The physical location code of disk storage system adapter through which the LUN is accessed.
Port	The disk storage system port through which the LUN is accessed.
RaidMode	The disk RAID mode.

datapath query portmap

The **datapath query portmap** command displays hdisk status from an disk storage system physical location code perspective.

Notes:

1. This command is not supported for Novell host systems.
2. This command is supported for disk storage systems only.

Syntax

▶▶—datapath query portmap—————▶▶

Examples

If you enter the **datapath query portmap** command, the following output is displayed:

```
          BAY-1(B1)          BAY-2(B2)          BAY-3(B3)          BAY-4(B4)
    ESSID  DISK    H1  H2  H3  H4    H1  H2  H3  H4    H1  H2  H3  H4    H1  H2  H3  H4
          ABCD ABCD ABCD ABCD    ABCD ABCD ABCD ABCD    ABCD ABCD ABCD ABCD    ABCD ABCD ABCD ABCD
          BAY-5(B5)          BAY-6(B6)          BAY-7(B7)          BAY-8(B8)
    H1  H2  H3  H4    H1  H2  H3  H4    H1  H2  H3  H4    H1  H2  H3  H4
13AAAKA vpath20  0---  -----  o---  -----  -----  -----  -----  -----
13AAAKA vpath21  Y---  -----  y---  -----  -----  -----  -----  -----

Y = online/open          y = (alternate path) online/open
O = online/closed       o = (alternate path) online/closed
N = offline             n = (alternate path) offline
- = path not configured
PD = path down
```

The terms used in the output are defined as follows:

- Y** The port is online and open, meaning that at least one path attached to this port is functional.
- y** Paths connected to this port are non-preferred paths. The port is online and open, meaning that at least one path attached to this port is functional.
- O** The port is online and closed, meaning that at least one path state and mode is closed and online.
- o** Paths connected to this port are non-preferred paths. The port is online and closed, meaning that at least one path state and mode is closed and online.
- N** The port is offline, meaning that all paths attached to this port are offline.
- n** Paths connected to this port are non-preferred paths. The port is offline, meaning that all paths attached to this port are offline.
- The path is not configured.
- PD** The path is down. It is either not functional or has been placed offline.

Note: The following fields apply only 1750 devices::

- y
- o
- n

The serial number of ESS devices is five digits, whereas the serial number of DS6000 and DS8000 devices is seven digits.

datapath query version

The **datapath query version** command displays the version of the SDD that is installed.

Syntax

▶▶—datapath query version—————▶▶

Parameters

None

Examples

If you enter the **datapath query version** command, the following output is displayed:

```
[root@abc]> datapath query version
IBM SDD Version 1.6.1.0 (devices.sdd.52.rte)
```

datapath query wwpn

The **datapath query wwpn** command displays the World Wide Port Name (WWPN) of the host fibre-channel adapters.

Note: This command is available for AIX, Linux, Windows NT, and Windows 2000 host systems only.

Syntax

▶—datapath query wwpn—▶

Parameters

None

Examples

If you enter the **datapath query wwpn** command, the following output is displayed:

```
[root@abc]> datapath query wwpn
Adapter Name  PortWWN
fscsi0       10000000C925F5B0
fscsi1       10000000C9266FD1
```

datapath remove adapter

The **datapath remove adapter** command dynamically removes an adapter and all paths attached to this adapter from SDD. This command is used when a new adapter must be installed, for example, due to failure of an existing adapter. SDD reserves the last path of a device. If all accessible paths to a device are attached to one adapter, this command will fail.

Note: The newly installed adapter can be reclaimed with the **addpaths** command. For detailed procedures, see “addpaths” on page 80.

Note: This command is available for AIX host systems only.

Syntax

▶▶—datapath remove adapter—*adapter number*—————▶▶

Parameters

adapter number

The index number of the adapter that you want to remove.

Examples

If you enter the **datapath query adapter** command, the following output is displayed:

```
+-----+
|Active Adapters :4
|
|Adpt#      Name   State   Mode   Select   Errors  Paths  Active
|  0        fscsi0  NORMAL  ACTIVE  62051    0       10     10
|  1        fscsi1  NORMAL  ACTIVE  65386    3       10     10
|  2        fscsi2  NORMAL  ACTIVE  75697   27       10     10
|  3        fscsi3  NORMAL  ACTIVE  4788     35       10     10
|-----+
```

If you enter the **datapath remove adapter 0** command:

- The entry for Adpt# 0 disappears from the **datapath query adapter** command output.
- All paths attached to adapter 0 disappear from the **datapath query device** command output.
- This can be done while I/O is running.

```
+-----+
|Active Adapters :3
|
|Adpt#      Name   State   Mode   Select   Errors  Paths  Active
|  1        fscsi1  NORMAL  ACTIVE  65916    3       10     10
|  2        fscsi2  NORMAL  ACTIVE  76197   27       10     10
|  3        fscsi3  NORMAL  ACTIVE  4997     35       10     10
|-----+
```

Note that Adpt# 0 fscsi0 is removed and the Select counts are increased on other three adapters, indicating that I/O is still running.

datapath remove device path

The **datapath remove device path** command dynamically removes a specific path of an SDD vpath device that is attached to an adapter. SDD reserves the last path of an SDD vpath device. If the requested path is the only accessible path to an SDD vpath device, the command will fail.

Notes:

1. A removed path can be reclaimed by using the **addpaths** command. See “addpaths” on page 80.
2. This command is available for AIX host systems only.

Syntax

```
▶▶—datapath remove device—device number—path—path number—▶▶
```

Parameters

device number

The device number shown in the output of the **datapath query device** command.

path number

The path number shown in the output of the **datapath query device** command.

Examples

If you enter the **datapath query device 0** command, the following output is displayed:

```
+-----+
| DEV#:  0  DEVICE NAME: vpath0  TYPE: 2105E20  POLICY: Optimized |
| SERIAL: 20112028 |
|-----|
| Path#  Adapter/Hard Disk  State   Mode   Select  Errors |
|  0     fscsi1/hdisk18       OPEN   NORMAL 557     0 |
|  1     fscsi1/hdisk26       OPEN   NORMAL 568     0 |
|  2     fscsi0/hdisk34       OPEN   NORMAL 566     0 |
|  3     fscsi0/hdisk42       OPEN   NORMAL 545     0 |
+-----+
```

If you enter the **datapath remove device 0 path 1** command, the entry for DEV# 0 Path# 1 (that is, fscsi1/hdisk26) disappears from the **datapath query device 0** command output and the Path#'s are rearranged.

```
+-----+
| Success: device 0 path 1 removed |
|-----|
| DEV#:  0  DEVICE NAME: vpath0  TYPE: 2105E20  POLICY: Optimized |
| SERIAL: 20112028 |
|-----|
| Path#  Adapter/Hard Disk  State   Mode   Select  Errors |
|  0     fscsi1/hdisk18       OPEN   NORMAL 567     0 |
|  1     fscsi0/hdisk34       OPEN   NORMAL 596     0 |
|  2     fscsi0/hdisk42       OPEN   NORMAL 589     0 |
+-----+
```

Note that fscsi1/hdisk26 is removed and Path# 1 is now fscsi0/hdisk34.

The **addpaths** command reclaims the removed path. The mode of the added path is set to NORMAL and its state to either OPEN or CLOSE, depending on the device state.

```
+-----+
| DEV#: 0  DEVICE NAME: vpath0  TYPE: 2105E20  POLICY: Optimized |
| SERIAL: 20112028 |
+-----+
| Path#  Adapter/Hard Disk  State  Mode  Select  Errors |
| 0      fscsi1/hdisk18      OPEN  NORMAL  580      0 |
| 1      fscsi0/hdisk34     OPEN  NORMAL  606      0 |
| 2      fscsi0/hdisk42     OPEN  NORMAL  599      0 |
| 3      fscsi1/hdisk26     OPEN  NORMAL  14       0 |
+-----+
```

Note that fscsi1/hdisk26 is back online with Path# 3 and is selected for I/O.

datapath set adapter

The **datapath set adapter** command sets all SDD vpath device paths attached to an adapter either to online or offline.

SDD reserves the last path of an SDD vpath device. If all accessible paths to an SDD vpath device are attached to one adapter, the offline option will fail.

Note: The **datapath set adapter offline** command can be entered even when the SDD vpath device is closed.

Syntax

```
▶▶—datapath set adapter—adapter number—online  
offline—▶▶
```

Parameters

adapter number

The index number of the adapter that you want to change.

online

Sets the adapter online.

offline

Sets the adapter offline.

Examples

If you enter the **datapath set adapter 0 offline** command:

- The mode of Adapter 0 will be changed to OFFLINE while the state of the adapter remains the same.
- All paths attached to adapter 0 change to OFFLINE mode and their states change to Dead, if they were in the Open state.

You can use the **datapath set adapter 0 online** command to cause an adapter that is offline to come online:

- Adapter 0's mode changes to ACTIVE and its state to NORMAL.
- The mode of all paths attached to adapter 0 changes to NORMAL and their state to either OPEN or CLOSE depending on the SDD vpath device state.

datapath set device path

The **datapath set device path** command sets the path of an SDD vpath device either to online or offline. You cannot remove the last path to an SDD vpath device from service. This prevents a data access failure from occurring. The **datapath set device path** command can be entered even when the SDD vpath device is closed.

Syntax

```
▶▶—datapath set device—device number—path—path number—online  
offline▶▶
```

Parameters

device number

The device index number that you want to change.

path number

The path number that you want to change.

online

Sets the path online.

offline

Removes the path from service.

Examples

If you enter the **datapath set device 0 path 0 offline** command, path 0 for device 0 changes to Offline mode.

datapath set qdepth

The **datapath set qdepth** command dynamically sets the queue depth logic to either enable or disable even when I/O is running.

Note: This command is available for AIX host systems only.

Syntax

```
▶▶—datapath set qdepth [ enable | disable ]▶▶
```

Parameters

Enable

Enable the queue depth logic.

Disable

Disable the queue depth logic.

Examples

If you enter the **datapath set qdepth disable** command, the following output is displayed:

```
+-----+
|Success: set qdepth_enable to no          |
+-----+
```

The SDD ODM attribute, qdepth_enable, is updated. The following output is displayed when you enter **lsattr -El dpo**.

```
+-----+
|persistent_resv yes Subsystem Supports Persistent Reserve Command False|
|qdepth_enable  no Queue Depth Control                               True |
+-----+
```

Appendix A. SDD and SDDPCM data collection for problem analysis

The following sections describe enhanced trace capability for SDD and SDDPCM.

Enhanced trace capability for SDD

Starting with SDD 1.5.1.0 (and later), SDD has enhanced its trace capability for problem determination.

SDD has been enhanced to collect SDD trace data periodically and write the trace data to the system local hard drive. SDD maintains 4 files for its trace data:

- `sdd.log`
- `sdd_bak.log`
- `sddsrv.log`
- `sddsrv_bak.log`

These files can be found in the following directories:

- AIX - `/var/adm/ras`
- HP-UX - `/var/adm`
- Linux - `/var/log`
- Solaris - `/var/adm`
- Windows 2000 and Windows NT - `\WINNT\system32`
- Windows Server 2003 - `\Windows\system32`

Using `sddgetdata` to collect information for problem determination

SDD provides the **`sddgetdata`** script to collect information used for problem determination. For UNIX platforms, **`sddgetdata`** creates a tar file or a compressed tar file at the current directory with the current date and time as a part of the file name (for example, `sdddata_hostname_yyyymmdd_hhmmss.tar` or `sdddata_hostname_yyyymmdd_hhmmss.tar.Z`, where `yyymmdd_hhmmss` is the timestamp of the file creation).

For Windows, you can run the **`sddgetdata`** script from any directory to collect the data for problem determination. **`sddgetdata`** creates a cab file in the `%root%\Program Files\IBM\Subsystem Device Driver` directory with the current date and time as part of the file name (for example, `sdddata_hostname_yyyymmdd_hhmmss.cab`), where `yyymmdd_hhmmss` is the timestamp of the file creation).

When you report an SDD problem, it is essential to run this script and send this output file for problem determination.

Steps within the **`sddgetdata`** script might fail depending on the problem and the system condition. In this case, you might have to execute manual commands.

Here is an example output for the AIX platform:

```
/tmp/sdd_getdata>sddgetdata
/tmp/sdd_getdata>ls
./ ../ sdddata_host1_20050315_122521.tar
```

Enhanced trace capability for SDDPCM

Starting with SDDPCM 2.1.0.7 (and later), SDDPCM has enhanced its trace capability for problem determination.

SDDPCM has been enhanced to collect SDDPCM trace data periodically and write the trace data to the system local hard drive. SDDPCM maintains 4 files for its trace data:

- pcm.log
- pcm_bak.log
- pcmsrv.log
- pcmsrv_bak.log

These files can be found in the /var/adm/ras directory.

When you report an SDDPCM problem, the following information is essential for problem determination:

- pcm.log
- pcm_bak.log
- pcmsrv.log
- pcmsrv_bak.log
- Output of the **pcmpath query adapter** command
- Output of the **pcmpath query device** command
- AIX system error log

Using `sddpcmgetdata` to collect information for problem determination

SDDPCM provides the **sddpcmgetdata** script to collect information used for problem determination. **sddpcmgetdata** creates a tar file at the current directory with the current date and time as a part of the file name (for example, `sddpcmdata_hostname_yyyymmdd_hhmmss.tar`, where `yyymmdd_hhmmss` is the timestamp of the file creation). When you report an SDDPCM problem, it is essential to run this script and send this tar file for problem determination.

For example:

```
/tmp/sddpcmgetdata>sddpcmgetdata/tmp/sddpcmgetdata>ls  
./ ../ sddpcmdata_test1_20050315_122521.tar
```

Appendix B. System log messages

This section lists log messages for AIX SDD and Windows.

AIX error and information messages

This section lists log messages for AIX SDD.

SDD logs error messages into the AIX error log system. To check if SDD has generated an error message, enter the **errpt -a | grep VPATH** command. The **errpt -a | grep SDDSRV** command will show any error messages logged by sddsrsv.

The following list shows general SDD error messages.

VPATH_XBUF_NOMEM

An attempt was made to open an SDD vpath device file and to allocate kernel-pinned memory. The system returned a null pointer to the calling program and kernel-pinned memory was not available. The attempt to open the file failed.

VPATH_PATH_OPEN

SDD vpath device file failed to open one of its paths (hdisks). An attempt to open an SDD vpath device is successful if at least one attached path opens. The attempt to open an SDD vpath device fails only when *all* the SDD vpath device paths fail to open.

VPATH_DEVICE_OFFLINE

Several attempts to retry an I/O request for an SDD vpath device on a path have failed. The path state is set to DEAD and the path is taken offline. Enter the **datapath** command to set the offline path to online. For more information, see Chapter 13, “Using the datapath commands,” on page 371.

VPATH_DEVICE_ONLINE

SDD supports DEAD path auto_failback and DEAD path reclamation. A DEAD path is selected to send an I/O, after it has been bypassed by 2000 I/O requests on an operational path. If the I/O is successful, the DEAD path is put online, and its state is changed back to OPEN; a DEAD path is put online, and its state changes to OPEN after it has been bypassed by 50 000 I/O requests on an operational path.

VPATH_OUT_SERVICE

An SDD vpath device has no path available for an I/O operation. The state of the SDD vpath device is set to LIMBO. All following I/Os to this SDD vpath device are immediately returned to the caller.

The following list shows the error messages logged by SDD in a persistent reserve environment. See “SDD persistent reserve attributes” on page 49 for more information about persistent reserve.

VPATH_FAIL_RELPRESERVE

An attempt was made to close an SDD vpath device that was not opened with the **RETAIN_RESERVE** option on the persistent reserve. The attempt to close the SDD vpath device was successful; however, the persistent reserve was not released. The user is notified that the persistent reserve is still in effect, and this error log is posted.

VPATH_RESV_CFLICT

An attempt was made to open an SDD vpath device, but the reservation

key of the SDD vpath device is different from the reservation key currently in effect. The attempt to open the device fails and this error log is posted. The device could not be opened because it is currently reserved by someone else.

The following are information messages that are logged if you perform AIX Hot Plug procedures with SDD:

VPATH_ADPT_REMOVED

The **datapath remove adapter *n*** command was executed. Adapter *n* and its child devices are removed from SDD.

VPATH_PATH_REMOVED

The **datapath remove device *m* path *n*** command was executed. Path *n* for device *m* is removed from SDD.

The following error messages are logged by sddsrvc:

SDDSRV_CONF_MISMATCH

This error is logged when sddsrvc finds out hdisk information in the driver is different from what sddsrvc discovered. sddsrvc logs the error to the system error log immediately and every 15 minutes thereafter

SDDSRV_PORTBINDFAIL

This error is logged when sddsrvc cannot bind the TCP/IP port number specified in its sddsrvc.conf file.

SDDSRV_LOG_WFAIL

This error is logged when sddsrvc cannot write its log file (that is, sddsrvc.log) to file system. sddsrvc logs the error to the system error log immediately and every 10 minutes thereafter until sddsrvc can write again.

SDDSRV_DRLOG_WFAIL

This error is logged when sddsrvc cannot write the driver log file (that is, sdd.log) to file system.

Windows log messages

This section lists log messages for SDD and SDDDSM on a Windows platform.

The following messages are logged to the System Event log. *x* represents the disk number and *y* represents the path number.

Event ID: 1

Event Type: Informational
Event Source: sddbus
Description: Device \Device\Harddiskx\DR0 path *y* offline

Event ID: 2

Event Type: Informational
Event Source: sddbus
Description: Device \Device\Harddiskx\DR0 path *y* online

Event ID: 3

Event Type: Informational
Event Source: sddbus
Description: Device \Device\Harddiskx\DR0 path *y* removed

Event ID: 4

Event Type: Informational

Event Source: sdbus
Description: Device \Device\Harddiskx\DR0 path y added

Event ID: 7

Event Type: Error
Event Source: sdbus
Description: Functional driver failed to allocate memory

Event ID: 8

Event Type: Error
Event Source: sdbus
Description: Functional driver failed to register to sdbus at entry

Notices

This information was developed for products and services offered in the U.S.A.

IBM may not offer the products, services, or features discussed in this document in other countries. Consult your local IBM representative for information on the products and services currently available in your area. Any reference to an IBM product, program, or service is not intended to state or imply that only that IBM product, program, or service may be used. Any functionally equivalent product, program, or service that does not infringe any IBM intellectual property right may be used instead. However, it is the user's responsibility to evaluate and verify the operation of any non-IBM product, program, or service.

IBM may have patents or pending patent applications covering subject matter described in this document. The furnishing of this document does not give you any license to these patents. You can send license inquiries, in writing, to:

*IBM Director of Licensing
IBM Corporation
North Castle Drive
Armonk, NY 10504-1785
U.S.A*

For license inquiries regarding double-byte (DBCS) information, contact the IBM Intellectual Property Department in your country or send inquiries, in writing, to:

*IBM World Trade Asia Corporation
Licensing
2-31 Roppongi 3-chome, Minato-ku
Tokyo 106, Japan*

The following paragraph does not apply to the United Kingdom or any other country where such provisions are inconsistent with local law:

INTERNATIONAL BUSINESS MACHINES CORPORATION PROVIDES THIS PUBLICATIONS "AS IS" WITHOUT WARRANTY OF ANY KIND, EITHER EXPRESS OR IMPLIED, INCLUDING, BUT NOT LIMITED TO, THE IMPLIED WARRANTIES OF NON-INFRINGEMENT, MERCHANTABILITY OR FITNESS FOR A PARTICULAR PURPOSE. Some states do not allow disclaimer of express or implied warranties in certain transactions, therefore, this statement may not apply to you.

Any references in this information to non-IBM Web sites are provided for convenience only and do not in any manner serve as an endorsement of those Web sites. The materials at those Web sites are not part of the materials for this IBM product and use of those Web sites is at your own risk.

This information could include technical inaccuracies or typographical errors. Changes are periodically made to the information herein; these changes will be incorporated in new editions of the publications. IBM may make improvements and/or changes in the product(s) and/or program(s) described in this publication at any time without notice.

IBM may use or distribute any of the information you supply in any way it believes appropriate without incurring any obligation to you.

Licensees of this program who wish to have information about it for the purpose of enabling: (i) the exchange of information between independently created programs and other programs (including this one) and (ii) the mutual use of the information which has been exchanged, should contact:

*IBM Corporation
Information Enabling Requests
Dept. DZWA
5600 Cottle Road
San Jose, CA 95193
U.S.A.*

Such information may be available, subject to appropriate terms and conditions, including in some cases, payment of a fee.

The licensed program described in this document and all licensed material available for it are provided by IBM under terms of the IBM License Agreement for Non-Warranted Programs.

Information concerning non-IBM products was obtained from the suppliers of those products, their published announcements or other publicly available sources. IBM has not tested those products and cannot confirm the accuracy of performance, compatibility or any other claims related to non-IBM products. Questions on the capabilities of non-IBM products should be addressed to the suppliers of those products.

Trademarks

The following are trademarks of International Business Machines Corporation in the United States, other countries, or both:

AIX
AS/400
BladeCenter
DFSMS/MVS
DS6000
DS8000
Enterprise Storage Server
Enterprise Systems Architecture/390
The @server logo
ES/9000
ESCON
FICON
FlashCopy
GDPS
HACMP/6000
IBM
IBM logo
iSeries
MVS
MVS/ESA
Netfinity
NetVista
NUMA-Q
Operating System/400
OS/390
OS/400

pSeries
RS/6000
S/370
S/390
Seascape
SNAPSHOT
SP
System/360
System/370
System/390
System/400
System Storage
Versatile Storage Server
VM/ESA
VSE/ESA
System i
System p
System x
System z
xSeries
zSeries
z/Architecture
z/OS

Microsoft, Windows, and Windows NT are trademarks of Microsoft Corporation in the United States, other countries, or both.

Java and all Java-based trademarks are trademarks of Sun Microsystems, Inc. in the United States, other countries, or both.

Linux is a registered trademark of Linus Torvalds in the United States, other countries, or both.

UNIX is a registered trademark of The Open Group in the United States and other countries.

Other company, product, and service names may be trademarks or service marks of others.

IBM agreement for licensed internal code

Read Before Using

IMPORTANT

YOU ACCEPT THE TERMS OF THIS IBM LICENSE AGREEMENT FOR MACHINE CODE BY YOUR USE OF THE HARDWARE PRODUCT OR MACHINE CODE. PLEASE READ THE AGREEMENT CONTAINED IN THIS BOOK BEFORE USING THE HARDWARE PRODUCT. SEE "IBM agreement for licensed internal code."

You accept the terms of this Agreement³ by your initial use of a machine that contains IBM Licensed Internal Code (called “Code”). These terms apply to Code used by certain machines IBM or your reseller specifies (called “Specific Machines”). International Business Machines Corporation or one of its subsidiaries (“IBM”) owns copyrights in Code or has the right to license Code. IBM or a third party owns all copies of Code, including all copies made from them.

If you are the rightful possessor of a Specific Machine, IBM grants you a license to use the Code (or any replacement IBM provides) on, or in conjunction with, only the Specific Machine for which the Code is provided. IBM licenses the Code to only one rightful possessor at a time.

Under each license, IBM authorizes you to do only the following:

1. execute the Code to enable the Specific Machine to function according to its Official Published Specifications (called “Specifications”);
2. make a backup or archival copy of the Code (unless IBM makes one available for your use), provided you reproduce the copyright notice and any other legend of ownership on the copy. You may use the copy only to replace the original, when necessary; and
3. execute and display the Code as necessary to maintain the Specific Machine.

You agree to acquire any replacement for, or additional copy of, Code directly from IBM in accordance with IBM’s standard policies and practices. You also agree to use that Code under these terms.

You may transfer possession of the Code to another party only with the transfer of the Specific Machine. If you do so, you must 1) destroy all your copies of the Code that were not provided by IBM, 2) either give the other party all your IBM-provided copies of the Code or destroy them, and 3) notify the other party of these terms. IBM licenses the other party when it accepts these terms. These terms apply to all Code you acquire from any source.

Your license terminates when you no longer rightfully possess the Specific Machine.

Actions you must not take

You agree to use the Code only as authorized above. You must not do, for example, any of the following:

1. Otherwise copy, display, transfer, adapt, modify, or distribute the Code (electronically or otherwise), except as IBM may authorize in the Specific Machine’s Specifications or in writing to you;
2. Reverse assemble, reverse compile, or otherwise translate the Code unless expressly permitted by applicable law without the possibility of contractual waiver;
3. Sublicense or assign the license for the Code; or
4. Lease the Code or any copy of it.

3. Form Z125-4144

Glossary

This glossary includes terms for disk storage system products and Virtualization products.

This glossary includes selected terms and definitions from:

- The *American National Standard Dictionary for Information Systems*, ANSI X3.172–1990, copyright 1990 by the American National Standards Institute (ANSI), 11 West 42nd Street, New York, New York 10036. Definitions derived from this book have the symbol (A) after the definition.
- The *IBM Glossary of Computing Terms* is available online at the following Web site: <http://www.ibm.com/ibm/terminology/>. Definitions derived from this book have the symbol (GC) after the definition.
- The *Information Technology Vocabulary* developed by Subcommittee 1, Joint Technical Committee 1, of the International Organization for Standardization and the International Electrotechnical Commission (ISO/IEC JTC1/SC1). Definitions derived from this book have the symbol (I) after the definition. Definitions taken from draft international standards, committee drafts, and working papers being developed by ISO/IEC JTC1/SC1 have the symbol (T) after the definition, indicating that final agreement has not been reached among the participating National Bodies of SCI.

This glossary uses the following cross-reference forms:

- See** This refers the reader to one of two kinds of related information:
- A term that is the expanded form of an abbreviation or acronym. This expanded form of the term contains the full definition.
 - A synonym or more preferred term

See also This refers the reader to one or more related terms.

Numerics

2105. The machine number for the IBM TotalStorage Enterprise Storage Server (ESS). Models of the ESS are expressed as the number 2105 followed by “Model <xxx>”, such as 2105 Model 800. The 2105 Model 100

is an ESS expansion enclosure that is typically referred to simply as the Model 100. See also *IBM TotalStorage Enterprise Storage Server* and *Model 100*.

3390. The machine number of an IBM disk storage system. The ESS, when interfaced to IBM S/390 or IBM System z hosts, is set up to appear as one or more 3390 devices, with a choice of 3390-2, 3390-3, or 3390-9 track formats.

3990. The machine number of an IBM control unit.

7133. The machine number of an IBM disk storage system. The Model D40 and 020 drawers of the 7133 can be installed in the 2105-100 expansion enclosure of the ESS.

8-pack. See *disk eight pack*.

A

access. (1) To obtain the use of a computer resource. (2) In computer security, a specific type of interaction between a subject and an object that results in flow of information from one to the other.

access-any mode. One of the two access modes that can be set for the disk storage system product during initial configuration. It enables all fibre-channel-attached host systems with no defined access profile to access all logical volumes on the disk storage system. With a profile defined in ESS Specialist for a particular host, that host has access only to volumes that are assigned to the WWPN for that host. See also *pseudo-host* and *worldwide port name*.

ACK. See *request for acknowledgement and acknowledgement*.

active Copy Services server. The Copy Services server that manages the Copy Services domain. Either the primary or the backup Copy Services server can be the active Copy Services server. The backup Copy Services server is available to become the active Copy Services server if the primary Copy Services server fails. See also *backup Copy Services server*, *Copy Services client*, and *primary Copy Services server*.

alert. A message or log that a storage facility generates as the result of error event collection and analysis. An alert indicates that a service action is required.

allegiance. In Enterprise Systems Architecture/390, a relationship that is created between a device and one or more channel paths during the processing of certain conditions. See also *implicit allegiance*, *contingent allegiance*, and *reserved allegiance*.

allocated storage. In a disk storage system, the space that is allocated to volumes but not yet assigned. See also *assigned storage*.

American National Standards Institute (ANSI). An organization of producers, consumers, and general interest groups that establishes the procedures by which accredited organizations create and maintain voluntary industry standards in the United States. (A)

Anonymous. In ESS Specialist, the label on an icon that represents all connections that are using fibre-channel adapters between the ESS and hosts and that are not completely defined to the ESS. See also *anonymous host*, *pseudo-host*, and *access-any mode*.

anonymous host. Synonym for “pseudo-host” (in contrast to the Anonymous label that appears on some pseudo-host icons. See also *Anonymous* and *pseudo-host*.

ANSI. See *American National Standards Institute*.

APAR. See *authorized program analysis report*. (GC)

arbitrated loop. For fibre-channel connections, a topology that enables the interconnection of a set of nodes. See also *point-to-point connection* and *switched fabric*.

array. An ordered collection, or group, of physical devices (disk drive modules) that are used to define logical volumes or devices. More specifically, regarding the disk storage system, an array is a group of disks designated by the user to be managed by the RAID-5 technique. See also *redundant array of independent disks*.

ASCII. (American National Standard Code for Information Interchange) The standard code, using a coded character set consisting of 7-bit coded characters (8 bits including parity check), that is used for information interchange among data processing systems, data communication systems, and associated equipment. The ASCII set consists of control characters and graphic characters. (A) Some organizations, including IBM, have used the parity bit to expand the basic code set.

assigned storage. On a disk storage system, the space allocated to a volume and assigned to a port.

authorized program analysis report (APAR). A report of a problem caused by a suspected defect in a current, unaltered release of a program. (GC)

availability. The degree to which a system or resource is capable of performing its normal function. See *data availability*.

B

backup Copy Services server. One of two Copy Services servers in a Copy Services domain. The other Copy Services server is the primary Copy Services server. The backup Copy Services server is available to become the active Copy Services server if the primary Copy Services server fails. A Copy Services server is software that runs in one of the two clusters of an ESS, and manages data-copy operations for that Copy Services server group. See also *active Copy Services server*, *Copy Services client*, and *primary Copy Services server*.

bay. In the disk storage system, the physical space used for installing SCSI, ESCON, and fibre-channel host adapter cards. The ESS has four bays, two in each cluster. See also *service boundary*.

bit. (1) Either of the digits 0 or 1 when used in the binary numeration system. (T) (2) The storage medium required to store a single binary digit. See also *byte*.

block. (1) A string of data elements recorded or transmitted as a unit. The elements may be characters, words, or physical records. (T) (2) In the disk storage system, a group of consecutive bytes used as the basic storage unit in fixed-block architecture (FBA). All blocks on the storage device are the same size (fixed size). See also *fixed-block architecture* and *data record*.

byte. (1) A group of eight adjacent binary digits that represent one EBCDIC character. (2) The storage medium required to store eight bits. See also *bit*.

C

cache. A special-purpose buffer storage, smaller and faster than main storage, used to hold a copy of instructions and data obtained from main storage and likely to be needed next by the processor. (T)

cache fast write. In the disk storage system, a form of the fast-write operation in which the storage server writes the data directly to cache, where it is available for later destaging.

cache hit. An event that occurs when a read operation is sent to the cluster, and the requested data is found in cache. The opposite of *cache miss*.

cache memory. Memory, typically volatile memory, that a storage server uses to improve access times to instructions or data. The cache memory is typically smaller and faster than the primary memory or storage medium. In addition to residing in cache memory, the same data also resides on the storage devices in the storage facility.

cache miss. An event that occurs when a read operation is sent to the cluster, but the data is not found in cache. The opposite of *cache hit*.

call home. A communication link established between the disk storage system and a service provider. The disk storage system can use this link to place a call to IBM or to another service provider when it requires service. With access to the machine, service personnel can perform service tasks, such as viewing error logs and problem logs or initiating trace and dump retrievals. See also *heartbeat* and *remote technical assistance information network*.

cascading. (1) Connecting network controllers to each other in a succession of levels, to concentrate many more lines than a single level permits. (2) In high-availability cluster multiprocessing (HACMP), cascading pertains to a cluster configuration in which the cluster node with the highest priority for a particular resource acquires the resource if the primary node fails. The cluster node relinquishes the resource to the primary node upon reintegration of the primary node into the cluster.

catcher. A server that service personnel use to collect and retain status data that a disk storage system sends to it.

CCR. See *channel command retry*.

CCW. See *channel command word*.

CD. See *compact disc*.

compact disc. An optically read disc, typically storing approximately 660 MB. CD-ROM (compact disc read-only memory) refers to the read-only format used to distribute disk storage system code and documentation.

CEC. See *computer-electronic complex*.

channel. In Enterprise Systems Architecture/390, the part of a channel subsystem that manages a single I/O interface between a channel subsystem and a set of control units.

channel command retry (CCR). In Enterprise Systems Architecture/390, the protocol used between a channel and a control unit that enables the control unit to request that the channel reissue the current command.

channel command word (CCW). In Enterprise Systems Architecture/390, a data structure that specifies an I/O operation to the channel subsystem.

channel path. In Enterprise Systems Architecture/390, the interconnection between a channel and its associated control units.

channel subsystem. In Enterprise Systems Architecture/390, the part of a host computer that manages I/O communication between the program and any attached control units.

channel-subsystem image. In Enterprise Systems Architecture/390, the logical functions that a system requires to perform the function of a channel subsystem. With ESCON multiple image facility (EMIF), one channel subsystem image exists in the channel subsystem for each logical partition (LPAR). Each image appears to be an independent channel subsystem program, but all images share a common set of hardware facilities.

CKD. See *count key data*.

CLI. See *command-line interface*. See also *Copy Services command-line interface*.

cluster. (1) In the disk storage system, a partition capable of performing all disk storage system functions. With two clusters in the disk storage system, any operational cluster can take over the processing of a failing cluster. (2) In the AIX operating system, a group of nodes within a complex.

cluster processor complex (CPC). In the disk storage system, the unit within a cluster that provides the management function for the disk storage system. It consists of cluster processors, cluster memory, and related logic.

Code Distribution and Activation (CDA). Process of installing licensed machine code on a disk storage system while applications continue to run.

command-line interface (CLI). An interface provided by an operating system that defines a set of commands and enables a user (or a script-like language) to issue these commands by typing text in response to the command prompt (for example, DOS commands, UNIX shell commands). See also *Copy Services command-line interface*.

compression. (1) The process of eliminating gaps, empty fields, redundancies, and unnecessary data to shorten the length of records or blocks. (2) Any encoding that reduces the number of bits used to represent a given message or record. (GC)

computer-electronic complex (CEC). The set of hardware facilities associated with a host computer.

concurrent copy. A facility on a storage server that enables a program to make a backup of a data set while the logical volume remains available for subsequent processing. The data in the backup copy is frozen at the point in time that the server responds to the request.

concurrent download of licensed machine code. Process of installing licensed machine code while applications continue to run.

concurrent maintenance. Service that is performed on a unit while it is operational.

concurrent media maintenance. Service performed on a disk drive module (DDM) without losing access to the data.

configure. In storage, to define the logical and physical configuration of the input/output (I/O) subsystem through the user interface that the storage facility provides for this function.

consistent copy. A copy of a data entity (a logical volume, for example) that contains the contents of the entire data entity at a single instant in time.

console. A user interface to a server, such as can be provided by a personal computer. See also *IBM TotalStorage ESS Master Console*.

contingent allegiance. In Enterprise Systems Architecture/390, a relationship that is created in a control unit between a device and a channel when the channel accepts unit-check status. The allegiance causes the control unit to guarantee access; the control unit does not present the busy status to the device. The allegiance enables the channel to retrieve sense data that is associated with the unit-check status on the channel path associated with the allegiance.

control unit (CU). (1) A device that coordinates and controls the operation of one or more input/output devices, and synchronizes the operation of such devices with the operation of the system as a whole. (2) In Enterprise Systems Architecture/390, a storage server with ESCON, FICON, or OEMI interfaces. The control unit adapts a native device interface to an I/O interface supported by an ESA/390 host system. (3) In the ESS, the portion of the ESS that supports the attachment of emulated CKD devices over ESCON, FICON, or OEMI interfaces. See also *cluster*.

control-unit image. In Enterprise Systems Architecture/390, a logical subsystem that is accessed through an ESCON or FICON I/O interface. One or more control-unit images exist in each control unit. Each image appears as an independent control unit, but all control-unit images share a common set of hardware facilities. The ESS can emulate 3990-3, TPF, 3990-6, or 2105 control units.

control-unit initiated reconfiguration (CUIR). A software mechanism that the ESS uses to request that an operating system of an IBM System z or S/390 host verify that one or more subsystem resources can be taken offline for service. The ESS can use this process to automatically vary channel paths offline and online to facilitate bay service or concurrent code installation. Depending on the operating system, support for this process might be model-dependent, might depend on the IBM TotalStorage Enterprise Storage Server Subsystem Device Driver, or might not exist.

Coordinated Universal Time (UTC). The international standard of time that is kept by atomic clocks around the world.

Copy Services client. Software that runs on each ESS cluster in the Copy Services server group and that performs the following functions:

- Communicates configuration, status, and connectivity information to the Copy Services server.
- Performs data-copy functions on behalf of the Copy Services server.

See also *active Copy Services server*, *backup Copy Services server*, and *primary Copy Services server*.

Copy Services CLI. See *Copy Services Command-Line Interface*.

Copy Services domain. A collection of user-designated ESS clusters participating in Copy Services functions managed by a designated active Copy Services server. See also *Copy Services server*, *dual-active server*, and *single-active server*.

Copy Services command-line interface (Copy Services CLI). In the ESS, command-line interface software provided with ESS Copy Services and used for invoking Copy Services functions from host systems attached to the ESS. See also *command-line interface*.

Copy Services server. An ESS cluster designated by the copy services administrator to perform the ESS Copy Services functions. See also *active Copy Services server*, *backup Copy Services server*, and *primary Copy Services server*.

Copy Services server group. A collection of user-designated ESS clusters participating in Copy Services functions managed by a designated active Copy Services server. A Copy Services server group is also called a Copy Services domain. See also *active Copy Services server*, *backup Copy Services server*, and *primary Copy Services server*.

count field. The first field of a count key data (CKD) record. This eight-byte field contains a four-byte track address (CCHH). It defines the cylinder and head that are associated with the track, and a one-byte record number (R) that identifies the record on the track. It defines a one-byte key length that specifies the length of the record's key field (0 means no key field). It defines a two-byte data length that specifies the length of the record's data field (0 means no data field). Only the end-of-file record has a data length of zero.

count key data (CKD). In Enterprise Systems Architecture/390, a data-record format employing self-defining record formats in which each record is represented by up to three fields: a *count* field identifying the record and specifying its format, an optional *key* field that can be used to identify the data area contents, and an optional *data* field that typically contains the user data. For CKD records on the ESS, the logical volume size is defined in terms of the device emulation mode (3390 or 3380 track format). The count field is always 8 bytes long and contains the lengths of

the key and data fields, the key field has a length of 0 to 255 bytes, and the data field has a length of 0 to 65 535 or the maximum that will fit on the track. See also *data record*.

CPC. See *cluster processor complex*.

CRC. See *cyclic redundancy check*.

CU. See *control unit*.

CUIR. See *control-unit initiated reconfiguration*.

custom volume. In the ESS, a volume in count-key-data (CKD) format that is not a standard volume, which basically means that it does not necessarily present the same number of cylinders and capacity to its assigned logical control unit as provided by one of the following standard S/390 volume types: 3390-2, 3390-3, 3390-9, 3390-2 (3380-track mode), or 3390-3 (3380-track mode). See also *count-key-data*, *interleave*, *standard volume*, and *volume*.

CUT. See *Coordinated Universal Time*.

cyclic redundancy check (CRC). A redundancy check in which the check key is generated by a cyclic algorithm. (T)

cylinder. A unit of storage on a CKD device with a fixed number of tracks.

D

DA. See *device adapter*. See also *SSA adapter*.

daisy chain. See *serial connection*.

DASD. See *direct access storage device*.

DASD fast write (DFW). A function of a storage server in which active write data is stored in nonvolatile cache, thus avoiding exposure to data loss.

data availability. The degree to which data is available when needed, typically measured as a percentage of time that the system would be capable of responding to any data request (for example, 99.999% available).

data compression. A technique or algorithm used to encode data such that the encoded result can be stored in less space than the original data. The original data can be recovered from the encoded result through a reverse technique or reverse algorithm. See also *compression*.

Data Facility Storage Management Subsystem. An operating environment that helps automate and centralize the management of storage. To manage storage, DFSMS provides the storage administrator with

control over data class, storage class, management class, storage group, and automatic class selection routine definitions.

data field. The optional third field of a count key data (CKD) record. The count field specifies the length of the data field. The data field contains data that the program writes.

data record. The basic unit of S/390 and IBM System z storage on an ESS, also known as a count-key-data (CKD) record. Data records are stored on a track. The records are sequentially numbered starting with 0. The first record, R0, is typically called the track descriptor record and contains data normally used by the operating system to manage the track. See also *count-key-data* and *fixed-block architecture*.

data sharing. The ability of multiple host systems to concurrently utilize data that they store on one or more storage devices. The storage facility enables configured storage to be accessible to any, or all, attached host systems. To use this capability, the host program must be designed to support data that it is sharing.

DDM. See *disk drive module*.

DDM group. See *disk eight pack*.

dedicated storage. Storage within a storage facility that is configured such that a single host system has exclusive access to the storage.

demote. To remove a logical data unit from cache memory. A storage server demotes a data unit to make room for other logical data units in the cache or because the logical data unit is not valid. The ESS must destage logical data units with active write units before they can be demoted.

destaging. Movement of data from an online or higher priority to an offline or lower priority device. The ESS stages incoming data into cache and then destages it to disk.

device. In Enterprise Systems Architecture/390, a disk drive.

device adapter (DA). A physical component of the ESS that provides communication between the clusters and the storage devices. The ESS has eight device adapters that it deploys in pairs, one from each cluster. DA pairing enables the ESS to access any disk drive from either of two paths, providing fault tolerance and enhanced availability.

device address. In Enterprise Systems Architecture/390, the field of an ESCON or FICON device-level frame that selects a specific device on a control-unit image.

device ID. In the ESS, the unique two-digit hexadecimal number that identifies the logical device.

device interface card. A physical subunit of a storage cluster that provides the communication with the attached DDMs.

device number. In Enterprise Systems Architecture/390, a four-hexadecimal-character identifier, for example 13A0, that the systems administrator associates with a device to facilitate communication between the program and the host operator. The device number is associated with a subchannel.

device sparing. A subsystem function that automatically copies data from a failing DDM to a spare DDM. The subsystem maintains data access during the process.

DFS. See *distributed file service*.

direct access storage device (DASD). (1) A mass storage medium on which a computer stores data. (2) A disk device.

disk cage. A container for disk drives. Each disk cage supports eight disk eight packs (64 disks).

disk drive. Standard term for a disk-based nonvolatile storage medium. The ESS uses hard disk drives as the primary nonvolatile storage media to store host data.

disk drive module (DDM). A field replaceable unit that consists of a single disk drive and its associated packaging.

disk drive module group. See *disk eight pack*.

disk eight pack. In the ESS, a group of eight disk drive modules (DDMs) installed as a unit in a DDM bay.

disk group. In the ESS, a collection of disk drives in the same SSA loop set up by the ESS to be available to be assigned as a RAID array. A disk group can be formatted as CKD or fixed block, and as RAID or non-RAID, or it can be left unformatted. A disk group is a logical assemblage of eight disk drives, in contrast to a disk eight pack. See also *disk eight pack*.

distributed file service (DFS). A service that provides data access over IP networks.

DNS. See *domain name system*.

domain. (1) That part of a computer network in which the data processing resources are under common control. (2) In TCP/IP, the naming system used in hierarchical networks. (3) A Copy Services server group, in other words, the set of clusters designated by the user to be managed by a particular Copy Services server.

domain name system (DNS). In TCP/IP, the server program that supplies name-to-address translation by mapping domain names to internet addresses. The address of a DNS server is the internet address of the server that hosts the DNS software for the network.

drawer. A unit that contains multiple DDMs and provides power, cooling, and related interconnection logic to make the DDMs accessible to attached host systems.

drive. (1) A peripheral device, especially one that has addressed storage media. See also *disk drive module*. (2) The mechanism used to seek, read, and write information on a storage medium.

dual-active mode. (1) With respect to a Copy Services server, the mode of operation of the server when the LIC level of the associated ESS cluster is 2.0 or higher. (2) With respect to a Copy Services domain, the mode of operation of the domain, when the Copy Services servers are dual-active servers. See also *Copy Services server*, *Copy Services domain*, *mixed mode*, and *single-active server*.

duplex. (1) Regarding ESS Copy Services, the state of a volume pair after PPRC has completed the copy operation and the volume pair is synchronized. (2) In general, pertaining to a communication mode in which data can be sent and received at the same time.

dynamic sparing. The ability of a storage server to move data from a failing disk drive module (DDM) to a spare DDM while maintaining storage functions.

E

E10. The predecessor of the F10 model of the ESS. See also *F10*.

E20. The predecessor of the F20 model of the ESS. See also *F20*.

EBCDIC. See *extended binary-coded decimal interchange code*.

EC. See *engineering change*.

ECKD. See *extended count key data*.

eight pack. See *disk eight pack*.

electrostatic discharge (ESD). An undesirable discharge of static electricity that can damage equipment and degrade electrical circuitry.

emergency power off (EPO). A means of turning off power during an emergency, usually a switch.

EMIF. See *ESCON multiple image facility*.

enclosure. A unit that houses the components of a storage subsystem, such as a control unit, disk drives, and power source.

end of file. A coded character recorded on a data medium to indicate the end of the medium. On a CKD

direct access storage device, the subsystem indicates the end of a file by including a record with a data length of zero.

engineering change (EC). An update to a machine, part, or program.

Enterprise Storage Server. See *IBM TotalStorage Enterprise Storage Server*.

Enterprise Systems Architecture/390 (ESA/390). An IBM architecture for mainframe computers and peripherals. Processor systems that follow the ESA/390 architecture include the ES/9000® family. See also *z/Architecture*.

Enterprise Systems Connection (ESCON). (1) An Enterprise Systems Architecture/390 and IBM System z computer peripheral interface. The I/O interface uses ESA/390 logical protocols over a serial interface that configures attached units to a communication fabric. (2) A set of IBM products and services that provide a dynamically connected environment within an enterprise.

EPO. See *emergency power off*.

ERDS. See *error-recording data set*.

error-recording data set (ERDS). On S/390 and IBM System z hosts, a data set that records data-storage and data-retrieval errors. A service information message (SIM) provides the error information for the ERDS.

ERP. See *error recovery procedure*.

error recovery procedure (ERP). Procedures designed to help isolate and, where possible, to recover from errors in equipment. The procedures are often used in conjunction with programs that record information on machine malfunctions.

ESA/390. See *Enterprise Systems Architecture/390*.

ESCD. See *ESCON director*.

ESCON. See *Enterprise System Connection*.

ESCON channel. An S/390 or IBM System z channel that supports ESCON protocols.

ESCON director (ESCD). An I/O interface switch that provides for the interconnection of multiple ESCON interfaces in a distributed-star topology.

ESCON host systems. S/390 or IBM System z hosts that attach to the ESS with an ESCON adapter. Such host systems run on operating systems that include MVS, VSE, TPF, or versions of VM.

ESCON multiple image facility (EMIF). In Enterprise Systems Architecture/390, a function that enables LPARs to share an ESCON channel path by providing each LPAR with its own channel-subsystem image.

EsconNet. In ESS Specialist, the label on a pseudo-host icon that represents a host connection that uses the ESCON protocol and that is not completely defined on the ESS. See also *pseudo-host* and *access-any mode*.

ESD. See *electrostatic discharge*.

eServer. See *IBM @server*.

ESS. See *IBM TotalStorage Enterprise Storage Server*.

ESS Copy Services. In the ESS, a collection of optional software features, with a Web-browser interface, used for configuring, managing, and monitoring data-copy functions.

ESS Copy Services CLI. See *Copy Services Command-Line Interface*.

ESS Expert. See *IBM TotalStorage Enterprise Storage Server Expert*.

ESS Master Console. See *IBM TotalStorage ESS Master Console*.

ESSNet. See *IBM TotalStorage Enterprise Storage Server Network*.

ESS Specialist. See *IBM TotalStorage Enterprise Storage Server Specialist*.

Expert. See *IBM TotalStorage Enterprise Storage Server Expert*.

extended binary-coded decimal interchange code (EBCDIC). A coding scheme developed by IBM used to represent various alphabetic, numeric, and special symbols with a coded character set of 256 eight-bit codes.

extended count key data (ECKD). An extension of the CKD architecture.

Extended Remote Copy (XRC). A function of a storage server that assists a control program to maintain a consistent copy of a logical volume on another storage facility. All modifications of the primary logical volume by any attached host are presented in order to a single host. The host then makes these modifications on the secondary logical volume.

extent. A continuous space on a disk that is occupied by or reserved for a particular data set, data space, or file. The unit of increment is a track. See also *multiple allegiance* and *parallel access volumes*.

F

F10. A model of the ESS featuring a single-phase power supply. It has fewer expansion capabilities than the Model F20.

F20. A model of the ESS featuring a three-phase power supply. It has more expansion capabilities than the Model F10, including the ability to support a separate expansion enclosure.

fabric. In fibre-channel technology, a routing structure, such as a switch, receives addressed information and routes to the appropriate destination. A fabric can consist of more than one switch. When multiple fibre-channel switches are interconnected, they are said to be *cascaded*.

failback. Cluster recovery from failover following repair. See also *failover*.

failover. In the ESS, the process of transferring all control of the ESS to a single cluster in the ESS when the other cluster in the ESS fails. See also *cluster*.

fast write. A write operation at cache speed that does not require immediate transfer of data to a disk drive. The subsystem writes the data directly to cache, to nonvolatile storage, or to both. The data is then available for destaging. A fast-write operation reduces the time an application must wait for the I/O operation to complete.

FBA. See *fixed-block architecture*.

FC. See *feature code*. **Note:** *FC* is a common abbreviation for fibre channel in the industry, but the ESS customer documentation library reserves *FC* for feature code.

FC-AL. See *Fibre Channel-Arbitrated Loop*.

FCP. See *fibre-channel protocol*.

FCS. See *fibre-channel standard*.

feature code (FC). A code that identifies a particular orderable option and that is used by service personnel to process hardware and software orders. Individual optional features are each identified by a unique feature code.

fibre channel. A data-transmission architecture based on the ANSI fibre-channel standard, which supports full-duplex communication. The ESS supports data transmission over fiber-optic cable through its fibre-channel adapters. See also *fibre-channel protocol* and *fibre-channel standard*.

Fibre Channel-Arbitrated Loop (FC-AL). An implementation of the fibre-channel standard that uses a ring topology for the communication fabric. Refer to American National Standards Institute (ANSI) X3T11/93-275. In this topology, two or more fibre-channel end points are interconnected through a looped interface. The ESS supports this topology.

fibre-channel connection (FICON). A fibre-channel communications protocol designed for IBM mainframe computers and peripherals.

fibre-channel protocol (FCP). A protocol used in fibre-channel communications with five layers that define how fibre-channel ports interact through their physical links to communicate with other ports.

fibre-channel standard (FCS). An ANSI standard for a computer peripheral interface. The I/O interface defines a protocol for communication over a serial interface that configures attached units to a communication fabric. The protocol has two layers. The IP layer defines basic interconnection protocols. The upper layer supports one or more logical protocols (for example, FCP for SCSI command protocols and SBCON for ESA/390 command protocols). Refer to American National Standards Institute (ANSI) X3.230-199x. See also *fibre-channel protocol*.

FICON. See *fibre-channel connection*.

FiconNet. In ESS Specialist, the label on a pseudo-host icon that represents a host connection that uses the FICON protocol and that is not completely defined on the ESS. See also *pseudo-host* and *access-any mode*.

field replaceable unit (FRU). An assembly that is replaced in its entirety when any one of its components fails. In some cases, a field replaceable unit might contain other field replaceable units. (GC)

FIFO. See *first-in-first-out*.

File Transfer Protocol (FTP). In TCP/IP, an application protocol used to transfer files to and from host computers. See also *Transmission Control Protocol/Internet Protocol*.

firewall. A protection against unauthorized connection to a computer or a data storage system. The protection is usually in the form of software on a gateway server that grants access to users who meet authorization criteria.

first-in-first-out (FIFO). A queuing technique in which the next item to be retrieved is the item that has been in the queue for the longest time. (A)

fixed-block architecture (FBA). An architecture for logical devices that specifies the format of and access mechanisms for the logical data units on the device. The logical data unit is a block. All blocks on the device are the same size (fixed size). The subsystem can access them independently.

fixed-block device. An architecture for logical devices that specifies the format of the logical data units on the device. The logical data unit is a block. All blocks on the device are the same size (fixed size); the subsystem can access them independently. This is the required

format of the logical data units for host systems that attach with a SCSI or fibre-channel interface. See also *fibre-channel* and *small computer systems interface*.

FlashCopy. An optional feature for the ESS that can make an instant copy of data, that is, a point-in-time copy of a volume.

FRU. See *field replaceable unit*.

FTP. See *File Transfer Protocol*.

full duplex. See *duplex*.

G

GB. See *gigabyte*.

GDPS®. See *Geographically Dispersed Parallel Sysplex*.

Geographically Dispersed Parallel Sysplex™ (GDPS). An S/390 multisite application-availability solution.

gigabyte (GB). A gigabyte of storage is 10⁹ bytes. A gigabyte of memory is 2³⁰ bytes.

group. In ESS documentation, a nickname for two different kinds of groups, depending on the context. See *disk eight pack* or *Copy Services server group*.

H

HA. See *host adapter*.

HACMP. See *High-Availability Cluster Multi-Processing*.

hard disk drive (HDD). (1) A storage medium within a storage server used to maintain information that the storage server requires. (2) A mass storage medium for computers that is typically available as a fixed disk (such as the disks used in system units of personal computers or in drives that are external to a personal computer) or a removable cartridge.

hardware service manager (HSM). An option on an AS/400 or IBM System i host that enables the user to display and work with system hardware resources and to debug input-output processors (IOP), input-output adapters (IOA), and devices.

HDA. See *head and disk assembly*.

HDD. See *hard disk drive*.

hdisk. An AIX term for storage space.

head and disk assembly (HDA). The portion of an HDD associated with the medium and the read/write head.

heartbeat. A status report sent at regular intervals from the ESS. The service provider uses this report to monitor the health of the call home process. See also *call home*, *heartbeat call home record*, and *remote technical assistance information network*.

heartbeat call home record. Machine operating and service information sent to a service machine. These records might include such information as feature code information and product logical configuration information.

hierarchical storage management. (1) A function provided by storage management software such as Tivoli Storage Management or Data Facility Storage Management Subsystem/MVS (DFSMS/MVS) to automatically manage free space based on the policy that the storage administrator sets. (2) In AS/400 storage management, an automatic method to manage and distribute data between the different storage layers, such as disk units and tape library devices.

High-Availability Cluster Multi-Processing (HACMP). Software that provides host clustering, so that a failure of one host is recovered by moving jobs to other hosts within the cluster.

high-speed link (HSL). A hardware connectivity architecture that links system processors to system input/output buses and other system units.

home address (HA). A nine-byte field at the beginning of a track that contains information that identifies the physical track and its association with a cylinder.

Note: In the ESS, the acronym HA is shared between home address and host adapter. See also *host adapter*.

hop. Interswitch connection. A hop count is the number of connections that a particular block of data traverses between source and destination. For example, data traveling from one hub over a wire to another hub traverses one hop.

host. See *host system*.

host adapter (HA). A physical subunit of a storage server that provides the ability to attach to one or more host I/O interfaces. The Enterprise Storage Server has four HA bays, two in each cluster. Each bay supports up to four host adapters.

In the ESS, the acronym HA is shared between home address and host adapter. See also *home address*.

host name. The Internet address of a machine in the network. In the ESS, the host name can be entered in the host definition as the fully qualified domain name of the attached host system, such as `mycomputer.city.company.com`, or as the subname of the fully qualified domain name, for example, `mycomputer`. See also *host system*.

host processor. A processor that controls all or part of a user application network. In a network, the processing unit in which the data communication access method resides. See also *host system*.

host system. A computer, either of the mainframe (S/390 or IBM system z) or of the open-systems type, that is connected to the ESS. S/390 or IBM System z hosts are connected to the ESS through ESCON or FICON interfaces. Open-systems hosts are connected to the ESS by SCSI or fibre-channel interfaces.

hot plug. Pertaining to the ability to add or remove a hardware facility or resource to a unit while power is on.

HSL. See *high-speed link*.

HSM. See *hierarchical storage management* or *Hardware Service Manager*.

I

IBM @server. The IBM brand name for a series of server products that are optimized for e-commerce. The products include the IBM System i, System p, IBM System x, and IBM System z.

IBM product engineering (PE). The third-level of IBM service support. Product engineering is composed of IBM engineers who have experience in supporting a product or who are knowledgeable about the product.

| **IBM System Storage Multipath Subsystem Device Driver (SDD).** Software that is designed to provide
| multipath configuration environment support for a host
| system that is attached to storage devices. SDD resides
| in a host system with the native disk device driver.

IBM TotalStorage Enterprise Storage Server (ESS). A member of the Seascape product family of storage servers and attached storage devices (disk drive modules). The ESS provides for high-performance, fault-tolerant storage and management of enterprise data, providing access through multiple concurrent operating systems and communication protocols. High performance is provided by multiple symmetric multiprocessors, integrated caching, RAID support for the disk drive modules, and disk access through a high-speed serial storage architecture (SSA) interface.

IBM TotalStorage Enterprise Storage Server Expert (ESS Expert). The software that gathers performance data from the ESS and presents it through a Web browser.

IBM TotalStorage Enterprise Storage Server Specialist (ESS Specialist). Software with a Web-browser interface for configuring the ESS.

IBM TotalStorage Enterprise Storage Server Network (ESSNet). A private network providing Web browser access to the ESS. IBM installs the ESSNet software on

an IBM workstation called the IBM TotalStorage ESS Master Console, supplied with the first ESS delivery.

IBM TotalStorage ESS Master Console (ESS Master Console). An IBM workstation (formerly named the ESSNet console and hereafter referred to simply as the ESS Master Console) that IBM installs to provide the ESSNet facility when they install your ESS. It includes a Web browser that provides links to the ESS user interface, including ESS Specialist and ESS Copy Services.

ID. See *identifier*.

identifier (ID). A unique name or address that identifies things such as programs, devices, or systems.

IML. See *initial microprogram load*.

implicit allegiance. In Enterprise Systems Architecture/390, a relationship that a control unit creates between a device and a channel path when the device accepts a read or write operation. The control unit guarantees access to the channel program over the set of channel paths that it associates with the allegiance.

initial microcode load (IML). The action of loading microcode for a computer into that computer's storage.

initial program load (IPL). The action of loading software into a computer, typically an operating system that controls the computer.

initiator. A SCSI device that communicates with and controls one or more targets. An initiator is typically an I/O adapter on a host computer. A SCSI initiator is analogous to an S/390 channel. A SCSI logical unit is analogous to an S/390 device. See also *target*.

i-node. The internal structure in an AIX operating system that describes the individual files in the operating system. It contains the code, type, location, and owner of a file.

input/output (I/O). Pertaining to (a) input, output, or both or (b) a device, process, or channel involved in data input, data output, or both.

input/output configuration data set. A configuration definition built by the I/O configuration program (IOCP) and stored on disk files associated with the processor controller.

interleave. In the ESS, to automatically create two striped partitions across the drives in a RAID-5 array, both of which use the count-key-data (CKD) record format.

Internet Protocol (IP). In the Internet suite of protocols, a protocol without connections that routes data through a network or interconnecting networks and acts as an intermediary between the higher protocol

layers and the physical network. The upper layer supports one or more logical protocols (for example, a SCSI-command protocol and an ESA/390 command protocol). Refer to ANSI X3.230-199x. The IP acronym is the IP in TCP/IP. See also *Transmission Control Protocol/Internet Protocol*.

invalidate. To remove a logical data unit from cache memory because it cannot support continued access to the logical data unit on the device. This removal might be the result of a failure within the storage server or a storage device that is associated with the device.

I/O. See *input/output*.

I/O adapter (IOA). In the ESS, an input-output adapter on the PCI bus.

IOCDs. See *input/output configuration data set*.

I/O device. An addressable read and write unit, such as a disk drive device, magnetic tape device, or printer.

I/O interface. An interface that enables a host to perform read and write operations with its associated peripheral devices.

I/O Priority Queueing. Facility provided by the Workload Manager of OS/390 and supported by the ESS that enables the system administrator to set priorities for queueing I/Os from different system images. See also *multiple allegiance* and *parallel access volume*.

I/O processor (IOP). Controls input-output adapters and other devices.

I/O sequential response time. The time an I/O request is queued in processor memory waiting for previous I/Os to the same volume to complete.

IOSQ. See *I/O sequential response time*.

IP. See *Internet Protocol*.

IPL. See *initial program load*.

IBM System i. An IBM @server product that emphasizes integration. It is the successor to the AS/400 family of servers.

J

Java Virtual Machine (JVM). A software implementation of a central processing unit (CPU) that runs compiled Java code (applets and applications). (GC)

JVM. See *Java Virtual Machine*.

K

KB. See *kilobyte*.

key field. The second (optional) field of a CKD record. The key length is specified in the count field. The key length determines the field length. The program writes the data in the key field and use the key field to identify or locate a given record. The subsystem does not use the key field.

kilobyte (KB). (1) For processor storage, real, and virtual storage, and channel volume, 2¹⁰ or 1024 bytes. (2) For disk storage capacity and communications volume, 1000 bytes.

Korn shell. Interactive command interpreter and a command programming language.

KPOH. See *thousands of power-on hours*.

L

LAN. See *local area network*.

last-in first-out (LIFO). A queuing technique in which the next item to be retrieved is the item most recently placed in the queue. (A)

LBA. See *logical block address*.

LCU. See *logical control unit*.

least recently used (LRU). (1) The algorithm used to identify and make available the cache space that contains the least-recently used data. (2) A policy for a caching algorithm that chooses to remove from cache the item that has the longest elapsed time since its last access.

LED. See *light-emitting diode*.

LIFO. See *last-in first-out*.

light-emitting diode (LED). A semiconductor chip that gives off visible or infrared light when activated.

LMC. See *licensed machine code*.

licensed machine code (LMC). Microcode that IBM does not sell as part of a machine, but licenses to the customer. LMC is implemented in a part of storage that is not addressable by user programs. Some IBM products use it to implement functions as an alternate to hard-wired circuitry.

link address. On an ESCON or FICON interface, the portion of a source or destination address in a frame that ESCON or FICON uses to route a frame through an ESCON or FICON director. ESCON or FICON associates the link address with a specific switch port that is on the ESCON or FICON director. Equivalently, it associates the link address with the channel subsystem or control unit link-level functions that are attached to the switch port.

link-level facility. The ESCON or FICON hardware and logical functions of a control unit or channel subsystem that allow communication over an ESCON or FICON write interface and an ESCON or FICON read interface.

local area network (LAN). A computer network located on a user's premises within a limited geographic area.

local e-mail. An e-mail configuration option for storage servers that are connected to a host-system network that does not have a domain name system (DNS) server.

logical address. On an ESCON or FICON interface, the portion of a source or destination address in a frame used to select a specific channel-subsystem or control-unit image.

logical block address (LBA). The address assigned by the ESS to a sector of a disk.

logical control unit (LCU). See *control-unit image*.

logical data unit. A unit of storage that is accessible on a given device.

logical device. The facilities of a storage server (such as the ESS) associated with the processing of I/O operations directed to a single host-accessible emulated I/O device. The associated storage is referred to as a logical volume. The logical device is mapped to one or more host-addressable units, such as a device on an S/390 I/O interface or a logical unit on a SCSI I/O interface, such that the host initiating I/O operations to the I/O-addressable unit interacts with the storage on the associated logical device.

logical partition (LPAR). In Enterprise Systems Architecture/390, a set of functions that create the programming environment in which more than one logical partition (LPAR) is established on a processor. An LPAR is conceptually similar to a virtual machine environment except that the LPAR is a function of the processor. Also, the LPAR does not depend on an operating system to create the virtual machine environment.

logical path. In the ESS for Copy Services, a relationship between a source logical subsystem and target logical subsystem that is created over a physical path through the interconnection fabric used for Copy Services functions.

logical subsystem (LSS). In the ESS, a topological construct that consists of a group of up to 256 logical devices. An ESS can have up to 16 CKD-formatted logical subsystems (4096 CKD logical devices) and also up to 16 fixed-block (FB) logical subsystems (4096 FB logical devices). The logical subsystem facilitates configuration of the ESS and might have other implications relative to the operation of certain functions.

There is a one-to-one mapping between a CKD logical subsystem and an S/390 control-unit image.

For S/390 or IBM System z hosts, a logical subsystem represents a logical control unit (LCU). Each control-unit image is associated with only one logical subsystem. See also *control-unit image*.

logical unit. In open systems, a logical disk drive.

logical unit number (LUN). In the SCSI protocol, a unique number used on a SCSI bus to enable it to differentiate between up to eight separate devices, each of which is a logical unit.

logical volume. The storage medium associated with a logical disk drive. A logical volume typically resides on one or more storage devices. The ESS administrator defines this unit of storage. The logical volume, when residing on a RAID array, is spread over the drives in the array.

logical volume manager (LVM). A set of system commands, library routines, and other tools that allow the user to establish and control logical volume storage. The LVM maps data between the logical view of storage space and the physical disk drive module (DDM).

longitudinal redundancy check (LRC). (1) A method of error-checking during data transfer that involves checking parity on a row of binary digits that are members of a set that forms a matrix. Longitudinal redundancy check is also called a longitudinal parity check. (2) In the ESS, a mechanism that the ESS uses for locating errors. The LRC checks the data as it progresses from the host, through the ESS controller, into the device adapter, and to the array.

longwave laser adapter. A connector used between a host and the ESS to support longwave fibre-channel communication.

loop. The physical connection between a pair of device adapters in the ESS. See also *device adapter*.

LPAR. See *logical partition*.

LRC. See *longitudinal redundancy check*.

LRU. See *least recently used*.

LSS. See *logical subsystem*.

LUN. See *logical unit number*.

LVM. See *logical volume manager*.

M

machine level control (MLC). A database that contains the EC level and configuration of products in the field.

machine reported product data (MRPD). Product data gathered by a machine and sent to a destination such as an IBM support server or RETAIN. These records might include such information as feature code information and product logical configuration information.

mainframe. A computer, usually in a computer center, with extensive capabilities and resources to which other computers may be connected so that they can share facilities.

maintenance analysis procedure (MAP). A hardware maintenance document that gives an IBM service representative a step-by-step procedure for tracing a symptom to the cause of a failure.

Management Information Base (MIB). (1) A collection of objects that can be accessed by means of a network management protocol. (GC) (2) In the ESS, the MIB record conforms to the Open Systems Interconnection (OSI) standard defined by the International Organization for Standardization (ISO) for the exchange of information. See also *simple network management protocol*.

MAP. See *maintenance analysis procedure*.

Master Console. See *IBM TotalStorage ESS Master Console*.

MB. See *megabyte*.

MCA. See *Micro Channel architecture*.

mean time between failures (MTBF). (1) A projection of the time that an individual unit remains functional. The time is based on averaging the performance, or projected performance, of a population of statistically independent units. The units operate under a set of conditions or assumptions. (2) For a stated period in the life of a functional unit, the mean value of the lengths of time between consecutive failures under stated conditions. (I) (A)

medium. For a storage facility, the disk surface on which data is stored.

megabyte (MB). (1) For processor storage, real and virtual storage, and channel volume, 2^{20} or 1 048 576 bytes. (2) For disk storage capacity and communications volume, 1 000 000 bytes.

MES. See *miscellaneous equipment specification*.

MIB. See *management information base*.

Micro Channel architecture (MCA). The rules that define how subsystems and adapters use the Micro Channel bus in a computer. The architecture defines the services that each subsystem can or must provide.

Microsoft Internet Explorer (MSIE). Web browser software manufactured by Microsoft.

migration. In the ESS, the replacement of a system or subsystem with a different type of system or subsystem, such as replacing a SCSI host adapter with a fibre-channel host adapter. When used in the context of data migration regarding the ESS, the transfer of data from one storage facility to another, such as from a 3390 to the ESS.

MIH. See *missing-interrupt handler*.

mirrored pair. Two units that contain the same data. The system refers to them as one entity.

mirroring. In host systems, the process of writing the same data to two disk units within the same auxiliary storage pool at the same time.

miscellaneous equipment specification (MES). IBM field-installed change to a machine.

missing-interrupt handler (MIH). An MVS and MVS/XA facility that tracks I/O interrupts. MIH informs the operator and creates a record whenever an expected interrupt fails to occur before a specified elapsed time is exceeded.

mixed mode. With respect to a Copy Services domain, the mode of operation of the domain when one Copy Services server is a dual-active server and the other Copy Services server is a single-active server. See also *Copy Services server, dual-active server, and single-active server*.

MLC. See *machine level control*.

mobile solutions terminal (MoST). The mobile terminal used by service personnel.

mode conditioning patch. This cable is used to convert a single mode signal generated by a longwave adapter into a light signal that is appropriate for multimode fibre. Another mode conditioning patch cable is required at the terminating end of the multimode fibre to convert the signal back to single mode light sent into a longwave adapter.

Model 100. A 2105 Model 100, often simply referred to as a Mod 100, is an expansion enclosure for the ESS. See also *2105*.

MoST. See *mobile solutions terminal*.

MRPD. See *machine reported product data*.

MSA. See *multiport serial adapter*.

MSIE. See *Microsoft Internet Explorer*.

MTBF. See *mean time between failures*.

multiple allegiance. An ESS hardware function that is independent of software support. This function enables multiple system images to concurrently access the same logical volume on the ESS as long as the system

images are accessing different extents. See also *extent* and *parallel access volumes*.

multiple virtual storage (MVS). Implies MVS/390, MVS/XA, MVS/ESA, and the MVS element of the OS/390 operating system.

multiplex. The action of transmitting simultaneously.

multiport serial adapter (MSA). An adapter on the ESS Master Console that has multiple ports to which ESSs can be attached.

MVS. See *multiple virtual storage*.

N

name server. A server that stores names of the participating ESS clusters.

Netfinity. IBM Intel-processor-based server; predecessor to the IBM xSeries server.

Netscape Navigator. Web browser software manufactured by Netscape.

node. The unit that is connected in a fibre-channel network. An ESS is a node in a fibre-channel network.

non-RAID. A disk drive set up independently of other disk drives and not set up as part of a disk eight pack to store data using the redundant array of disks (RAID) data-stripping methodology.

nonremovable medium. A recording medium that cannot be added to or removed from a storage device.

nonvolatile storage (NVS). In the ESS, memory that stores active write data to avoid data loss in the event of a power loss.

NVS. See *nonvolatile storage*.

O

octet. In Internet Protocol (IP) addressing, one of the four parts of a 32-bit integer presented in dotted decimal notation. dotted decimal notation consists of four 8-bit numbers written in base 10. For example, 9.113.76.250 is an IP address containing the octets 9, 113, 76, and 250.

OEMI. See *original equipment manufacturer's information*.

open system. A system whose characteristics comply with standards made available throughout the industry and that therefore can be connected to other systems complying with the same standards. Applied to the ESS, such systems are those hosts that connect to the ESS through SCSI or FCP protocols. See also *small computer system interface* and *fibre-channel protocol*.

organizationally unique identifier (OUI). An IEEE-standards number that identifies an organization with a 24-bit globally unique assigned number referenced by various standards. OUI is used in the family of 802 LAN standards, such as Ethernet and Token Ring.

original equipment manufacturer's information (OEMI). A reference to an IBM guideline for a computer peripheral interface. The interface uses ESA/390 logical protocols over an I/O interface that configures attached units in a multidrop bus topology.

OS/390. The IBM operating system that includes and integrates functions previously provided by many IBM software products (including the MVS operating system) for the IBM S/390 family of enterprise servers.

OS/400. The IBM operating system that runs the IBM AS/400 and IBM System i @serverfamilies of servers.

OUI. See *organizationally unique identifier*.

P

panel. The formatted display of information that appears on a display screen.

parallel access volume (PAV). An advanced function of the ESS that enables OS/390 and z/OS systems to issue concurrent I/O requests against a CKD logical volume by associating multiple devices of a single control-unit image with a single logical device. Up to eight device addresses can be assigned to a PAV. The PAV function enables two or more concurrent write operations to the same logical volume, as long as the write operations are not to the same extents. See also *extent*, *I/O Priority Queueing*, and *multiple allegiance*.

parity. A data checking scheme used in a computer system to ensure the integrity of the data. The RAID implementation uses parity to re-create data if a disk drive fails.

path group. In ESA/390 architecture, a set of channel paths that are defined to a control unit as being associated with a single logical partition (LPAR). The channel paths are in a group state and are online to the host. See also *logical partition*.

path group identifier. In ESA/390 architecture, the identifier that uniquely identifies a given logical partition (LPAR). The path group identifier is used in communication between the LPAR program and a device. The identifier associates the path group with one or more channel paths, thereby defining these paths to the control unit as being associated with the same LPAR. See also *logical partition*.

PAV. See *parallel access volume*.

PCI. See *peripheral component interconnect*.

PE. See *IBM product engineering*.

Peer-to-Peer Remote Copy (PPRC). A function of a storage server that constantly updates a secondary copy of a logical volume to match changes made to a primary logical volume. The primary and secondary volumes can be on the same storage server or on separate storage servers. See also *synchronous PPRC* and *PPRC Extended Distance*.

peripheral component interconnect (PCI). An architecture for a system bus and associated protocols that supports attachments of adapter cards to a system backplane.

physical path. A single path through the I/O interconnection fabric that attaches two units. For Copy Services, this is the path from a host adapter on one ESS (through cabling and switches) to a host adapter on another ESS.

point-to-point connection. For fibre-channel connections, a topology that enables the direct interconnection of ports. See *arbitrated loop* and *switched fabric*.

port. In the ESS, a physical connection on a host adapter to the cable that connects the ESS to hosts, switches, or another ESS. The ESS uses SCSI and ESCON host adapters that have two ports per adapter, and fibre-channel host adapters that have one port. See also *ESCON*, *fibre channel*, *host adapter*, and *small computer system interface*.

POST. See *power-on self test*.

power-on self test (POST). A diagnostic test that servers or computers run when they are turned on.

PPRC. See *Peer-to-Peer Remote Copy*.

PPRC Extended Distance. An optional feature for the ESS that maintains a fuzzy copy of a logical volume on the same ESS or on another ESS. In other words, all modifications that any attached host performs on the primary logical volume are also performed on the secondary logical volume at a later point in time. The original order of update is not strictly maintained. See also *Peer-to-Peer Remote Copy (PPRC)* and *synchronous PPRC*.

PPRC-XD. See *PPRC Extended Distance*.

predictable write. A write operation that can cache without knowledge of the existing format on the medium. All write operations on FBA DASD devices are predictable. On CKD DASD devices, a write operation is predictable if it does a format write operation for the first data record on the track.

primary Copy Services server. One of two Copy Services servers in a Copy Services server group. The primary Copy Services server is the active Copy

Services server until it fails; it is then replaced by the backup Copy Services server. A Copy Services server is software that runs in one of the two clusters of an ESS and performs data-copy operations within that group. See *active Copy Services server* and *backup Copy Services server*.

product engineering. See *IBM product engineering*.

program. On a computer, a generic term for software that controls the operation of the computer. Typically, the program is a logical assemblage of software modules that perform multiple related tasks.

program-controlled interruption. An interruption that occurs when an I/O channel fetches a channel command word with the program-controlled interruption flag on.

program temporary fix (PTF). A temporary solution or bypass of a problem diagnosed by IBM in a current unaltered release of a program. (GC)

promote. To add a logical data unit to cache memory.

protected volume. In the IBM AS/400® platform, a disk storage device that is protected from data loss by RAID techniques. An AS/400 host does not mirror a volume configured as a protected volume, while it does mirror all volumes configured as unprotected volumes. The ESS, however, can be configured to indicate that an AS/400 volume is protected or unprotected and give it RAID protection in either case.

System p. The product name of an IBM @server product that emphasizes performance. It is the successor to the IBM RS/6000® family of servers.

pseudo-host. A host connection that is not explicitly defined to the ESS and that has access to at least one volume that is configured on the ESS. The FiconNet pseudo-host icon represents the FICON protocol. The EsconNet pseudo-host icon represents the ESCON protocol. The pseudo-host icon labelled "Anonymous" represents hosts connected through the FCP protocol. *Anonymous host* is a commonly used synonym for *pseudo-host*. The ESS adds a pseudo-host icon only when the ESS is set to access-any mode. See also *access-any mode*.

PTF. See *program temporary fix*.

PV Links. Short for Physical Volume Links, an alternate pathing solution from Hewlett-Packard providing for multiple paths to a volume, as well as static load balancing.

R

R0. See *track-descriptor record*.

rack. See *enclosure*.

RAID. See *redundant array of independent disks*. RAID is also commonly expanded to redundant array of *independent disks*. See also *array*.

RAID 5. A type of RAID that optimizes cost-effective performance while emphasizing use of available capacity through data striping. RAID 5 provides fault tolerance for up to two failed disk drives by distributing parity across all the drives in the array plus one parity disk drive. The ESS automatically reserves spare disk drives when it assigns arrays to a device adapter pair (DA pair). See also *device adapter*, *RAID 10*, and *redundant array of independent disks*.

RAID 10. A type of RAID that optimizes high performance while maintaining fault tolerance for up to two failed disk drives by striping volume data across several disk drives and mirroring the first set of disk drives on an identical set. The ESS automatically reserves spare disk drives when it assigns arrays to a device adapter pair (DA pair). See also *device adapter*, *RAID 5*, and *redundant array of independent disks*.

random access. A mode of accessing data on a medium in a manner that requires the storage device to access nonconsecutive storage locations on the medium.

rank. See *array*.

redundant array of independent disks (RAID). A methodology of grouping disk drives for managing disk storage to insulate data from a failing disk drive.

remote technical assistance information network (RETAIN). The initial service tracking system for IBM service support, which captures heartbeat and call-home records. See also *support catcher* and *support catcher telephone number*.

REQ/ACK. See *request for acknowledgement and acknowledgement*.

request for acknowledgement and acknowledgement (REQ/ACK). A cycle of communication between two data transport devices for the purpose of verifying the connection, which starts with a request for acknowledgement from one of the devices and ends with an acknowledgement from the second device. The REQ and ACK signals help to provide uniform timing to support synchronous data transfer between an initiator and a target. The objective of a synchronous data transfer method is to minimize the effect of device and cable delays.

reserved allegiance. In Enterprise Systems Architecture/390, a relationship that is created in a control unit between a device and a channel path when the device completes a Sense Reserve command. The allegiance causes the control unit to guarantee access (busy status is not presented) to the device. Access is over the set of channel paths that are associated with

the allegiance; access is for one or more channel programs until the allegiance ends.

RETAIN. See *remote technical assistance information network*.

S

S/390. IBM enterprise servers based on Enterprise Systems Architecture/390 (ESA/390). *S/390* is the currently accepted shortened form of the original name *System/390*.

S/390 storage. (1) Storage arrays and logical volumes that are defined in the ESS as connected to S/390 servers. This term is synonymous with count-key-data (CKD) storage. (2) In ESS documentation, when noted, the term can refer to both S/390 and IBM System z storage. See also *IBM System z storage*.

SAID. See *system adapter identification number*.

SAM. See *sequential access method*.

SAN. See *storage area network*.

SBCON. See *Single-Byte Command Code Sets Connection*.

screen. The physical surface of a display device upon which information is shown to users.

SCSI. See *small computer system interface*.

SCSI device. A disk drive connected to a host through an I/O interface using the SCSI protocol. A SCSI device is either an initiator or a target. See also *initiator* and *small computer system interface*.

SCSI host systems. Host systems that are attached to the ESS with a SCSI interface. Such host systems run on UNIX, OS/400, Windows NT, Windows 2000, or Novell NetWare operating systems.

SCSI ID. A unique identifier assigned to a SCSI device that is used in protocols on the SCSI interface to identify or select the device. The number of data bits on the SCSI bus determines the number of available SCSI IDs. A wide interface has 16 bits, with 16 possible IDs.

SCSI-FCP. Synonym for fibre-channel protocol, a protocol used to transport data between an open-systems host and a fibre-channel adapter on an ESS. See also *fibre-channel protocol* and *small computer system interface*.

SDD. See *IBM System Storage Enterprise Storage Server Subsystem Device Driver*.

Seascope architecture. A storage system architecture developed by IBM for open-systems servers and S/390 and IBM System z host systems. It provides storage

solutions that integrate software, storage management, and technology for disk, tape, and optical storage.

self-timed interface (STI). An interface that has one or more conductors that transmit information serially between two interconnected units without requiring any clock signals to recover the data. The interface performs clock recovery independently on each serial data stream and uses information in the data stream to determine character boundaries and inter-conductor synchronization.

sequential access. A mode of accessing data on a medium in a manner that requires the storage device to access consecutive storage locations on the medium.

sequential access method (SAM). An access method for storing, deleting, or retrieving data in a continuous sequence based on the logical order of the records in the file.

serial connection. A method of device interconnection for determining interrupt priority by connecting the interrupt sources serially.

serial storage architecture (SSA). An IBM standard for a computer peripheral interface. The interface uses a SCSI logical protocol over a serial interface that configures attached targets and initiators in a ring topology. See also *SSA adapter*.

server. (1) A host that provides certain services to other hosts that are referred to as clients. (2) A functional unit that provides services to one or more clients over a network. (GC)

service boundary. A category that identifies a group of components that are unavailable for use when one of the components of the group is being serviced. Service boundaries are provided on the ESS, for example, in each host bay and in each cluster.

service information message (SIM). A message sent by a storage server to service personnel through an S/390 operating system.

service personnel. A generalization referring to individuals or companies authorized to service the ESS. The terms “service provider”, “service representative”, and “IBM service support representative (SSR)” refer to types of service personnel. See also *service support representative*.

service processor. A dedicated processing unit used to service a storage facility.

service support representative (SSR). Individuals or a company authorized to service the ESS. This term also refers to a service provider, a service representative, or an IBM service support representative (SSR). An IBM SSR installs the ESS.

shared storage. In an ESS, storage that is configured so that multiple hosts can concurrently access the storage. The storage has a uniform appearance to all hosts. The host programs that access the storage must have a common model for the information on a storage device. The programs must be designed to handle the effects of concurrent access.

shortwave laser adapter. A connector used between host and ESS to support shortwave fibre-channel communication.

SIM. See *service information message*.

Simple Network Management Protocol (SNMP). In the Internet suite of protocols, a network management protocol that is used to monitor routers and attached networks. SNMP is an application layer protocol. Information on devices managed is defined and stored in the application’s Management Information Base (MIB). (GC) See also *management information base*.

simplex volume. A volume that is not part of a FlashCopy, XRC, or PPRC volume pair.

single-active mode. (1) With respect to a Copy Services server, the mode of operation of the server when the LIC level of the associated ESS cluster is below 2.0. (2) With respect to a Copy Services domain, the mode of operation of the domain when the Copy Services servers are single-active servers. See also *Copy Services server*, *Copy Services domain*, *dual-active server*, and *mixed mode*.

Single-Byte Command Code Sets Connection (SBCON). The ANSI standard for the ESCON or FICON I/O interface.

small computer system interface (SCSI). A standard hardware interface that enables a variety of peripheral devices to communicate with one another. (GC)

smart relay host. A mail relay or mail gateway that has the capability to correct e-mail addressing problems.

SMIT. See *System Management Interface Tool*.

SMP. See *symmetric multiprocessor*.

SNMP. See *simple network management protocol*.

software transparency. Criteria applied to a processing environment that states that changes do not require modifications to the host software in order to continue to provide an existing function.

spare. A disk drive on the ESS that can replace a failed disk drive. A spare can be predesignated to allow automatic dynamic sparing. Any data preexisting on a disk drive that is invoked as a spare is destroyed by the dynamic sparing copy process.

spatial reuse. A feature of serial storage architecture that enables a device adapter loop to support many simultaneous read/write operations. See also *serial storage architecture*.

Specialist. See *IBM TotalStorage Enterprise Storage Server Specialist*.

SSA. See *serial storage architecture*.

SSA adapter. A physical adapter based on serial storage architecture. SSA adapters connect disk drive modules to ESS clusters. See also *serial storage architecture*.

SSID. See *subsystem identifier*.

SSR. See *service support representative*.

stacked status. In Enterprise Systems Architecture/390, the condition when the control unit is in a holding status for the channel, and the last time the control unit attempted to present the status, the channel responded with the stack-status control.

stage operation. The operation of reading data from the physical disk drive into the cache.

staging. To move data from an offline or low-priority device back to an online or higher priority device, usually on demand of the system or on request of the user.

standard volume. In the ESS, a volume that emulates one of several S/390 volume types, including 3390-2, 3390-3, 3390-9, 3390-2 (3380-track mode), or 3390-3 (3380-track mode), by presenting the same number of cylinders and capacity to the host as provided by the native S/390 volume type of the same name.

STI. See *self-timed interface*.

storage area network. A network that connects a company's heterogeneous storage resources.

storage complex. Multiple storage facilities.

storage device. A physical unit that provides a mechanism to store data on a given medium such that it can be subsequently retrieved. See also *disk drive module*.

storage facility. (1) A physical unit that consists of a storage server integrated with one or more storage devices to provide storage capability to a host computer. (2) A storage server and its attached storage devices.

storage server. A physical unit that manages attached storage devices and provides an interface between them and a host computer by providing the function of one or more logical subsystems. The storage server can provide functions that are not provided by the storage device. The storage server has one or more clusters.

stripping. A technique that distributes data in bit, byte, multibyte, record, or block increments across multiple disk drives.

subchannel. A logical function of a channel subsystem associated with the management of a single device.

Subsystem Device Driver. See *IBM System Storage Multipath Subsystem Device Driver*.

subsystem identifier (SSID). A number that uniquely identifies a logical subsystem within a computer installation.

support catcher. See *catcher*.

support catcher telephone number. The telephone number that connects the support catcher server to the ESS to receive a trace or dump package. See also *support catcher* and *remote technical assistance information network*.

switched fabric. In the ESS, one of three fibre-channel connection topologies that the ESS supports. See also *arbitrated loop* and *point-to-point*.

symmetric multiprocessor (SMP). An implementation of a multiprocessor computer consisting of several identical processors configured in a way that any subset of the set of processors is capable of continuing the operation of the computer. The ESS contains four processors set up in SMP mode.

synchronous PPRC. A function of a storage server that maintains a consistent copy of a logical volume on the same storage server or on another storage server. All modifications that any attached host performs on the primary logical volume are also performed on the secondary logical volume. See also *Peer-to-Peer Remote Copy* and *PPRC Extended Distance*.

synchronous write. A write operation whose completion is indicated after the data has been stored on a storage device.

System/390. See *S/390*.

system adapter identification number (SAID). In the ESS, the unique identification number automatically assigned to each ESS host adapter for use by ESS Copy Services.

System Management Interface Tool (SMIT). An interface tool of the AIX operating system for installing, maintaining, configuring, and diagnosing tasks.

System Modification Program. A program used to install software and software changes on MVS systems.

T

TAP. See *Telocator Alphanumeric Protocol*.

target. A SCSI device that acts as a slave to an initiator and consists of a set of one or more logical units, each with an assigned logical unit number (LUN). The logical units on the target are typically I/O devices. A SCSI target is analogous to an S/390 control unit. A SCSI initiator is analogous to an S/390 channel. A SCSI logical unit is analogous to an S/390 device. See also *small computer system interface*.

TB. See *terabyte*.

TCP/IP. See *Transmission Control Protocol/Internet Protocol*.

Telocator Alphanumeric Protocol (TAP). An industry standard protocol for the input of paging requests.

terabyte (TB). (1) Nominally, 1 000 000 000 000 bytes, which is accurate when speaking of bandwidth and disk storage capacity. (2) For ESS cache memory, processor storage, real and virtual storage, a terabyte refers to 2⁴⁰ or 1 099 511 627 776 bytes.

terminal emulator. In the ESS, a function of the ESS Master Console that allows it to emulate a terminal.

thousands of power-on hours (KPOH). A unit of time used to measure the mean time between failures (MTBF).

time sharing option (TSO). An operating system option that provides interactive time sharing from remote terminals.

TPF. See *transaction processing facility*.

track. A unit of storage on a CKD device that can be formatted to contain a number of data records. See also *home address*, *track-descriptor record*, and *data record*.

track-descriptor record (R0). A special record on a track that follows the home address. The control program uses it to maintain certain information about the track. The record has a count field with a key length of zero, a data length of 8, and a record number of 0. This record is sometimes referred to as R0.

transaction processing facility (TPF). A high-availability, high-performance IBM operating system, designed to support real-time, transaction-driven applications. The specialized architecture of TPF is intended to optimize system efficiency, reliability, and responsiveness for data communication and database processing. TPF provides real-time inquiry and updates to a large, centralized database, where message length is relatively short in both directions, and response time is generally less than three seconds. Formerly known as the Airline Control Program/Transaction Processing Facility (ACP/TPF).

Transmission Control Protocol (TCP). A communications protocol used in the Internet and in any network that follows the Internet Engineering Task Force

(IETF) standards for internetwork protocol. TCP provides a reliable host-to-host protocol between hosts in packet-switched communications networks and in interconnected systems of such networks. It uses the Internet Protocol (IP) as the underlying protocol.

Transmission Control Protocol/Internet Protocol (TCP/IP). (1) A combination of data-transmission protocols that provide end-to-end connections between applications over interconnected networks of different types. (2) A suite of transport and application protocols that run over the Internet Protocol. (GC) See also *Internet Protocol* and *Transmission Control Protocol*.

transparency. See *software transparency*.

TSO. See *time sharing option*.

U

UFS. UNIX filing system.

Ultra-SCSI. An enhanced small computer system interface.

unconfigure. To delete the configuration.

unit address. In Enterprise Systems Architecture/390, the address associated with a device on a given control unit. On ESCON or FICON interfaces, the unit address is the same as the device address. On OEMI interfaces, the unit address specifies a control unit and device pair on the interface.

unprotected volume. An AS/400 term that indicates that the AS/400 host recognizes the volume as an unprotected device, even though the storage resides on a RAID array and is therefore fault tolerant by definition. The data in an unprotected volume can be mirrored. Also referred to as an *unprotected device*.

upper-layer protocol. The layer of the Internet Protocol (IP) that supports one or more logical protocols (for example, a SCSI-command protocol and an ESA/390 command protocol). Refer to ANSI X3.230-199x.

UTC. See *Coordinated Universal Time*.

utility device. The ESA/390 term for the device used with the Extended Remote Copy facility to access information that describes the modifications performed on the primary copy.

V

virtual machine facility. A virtual data processing machine that appears to the user to be for the exclusive use of that user, but whose functions are accomplished by sharing the resources of a shared data processing system. An alternate name for the VM/370 IBM operating system.

vital product data (VPD). Information that uniquely defines the system, hardware, software, and microcode elements of a processing system.

VM. The root name of several IBM operating systems, such as VM/370, VM/ESA, VM/CMS, and VM/SP. See also *virtual machine (VM) facility*.

volume. In Enterprise Systems Architecture/390, the information recorded on a single unit of recording medium. Indirectly, it can refer to the unit of recording medium itself. On a nonremovable-medium storage device, the term can also indirectly refer to the storage device associated with the volume. When multiple volumes are stored on a single storage medium transparently to the program, the volumes can be referred to as logical volumes.

VPD. See *vital product data*.

VSE/ESA. IBM operating system, the letters of which represent virtual storage extended/enterprise systems architecture.

W

Web Copy Services. See *ESS Copy Services*.

worldwide node name (WWNN). A unique 64-bit identifier for a host containing a fibre-channel port. See also *worldwide port name*.

worldwide port name (WWPN). A unique 64-bit identifier associated with a fibre-channel adapter port. It is assigned in an implementation- and protocol-independent manner.

write hit. A write operation in which the requested data is in the cache.

write penalty. The performance impact of a classical RAID 5 write operation.

WWPN. See *worldwide port name*.

X

XD. See *PPRC Extended Distance*.

XRC. See *Extended Remote Copy*.

xSeries. The product name of an IBM @server product that emphasizes industry-standard server scalability and self-managing server technologies. It is the successor to the Netfinity family of servers.

Z

z/Architecture. An IBM architecture for mainframe computers and peripherals. The IBM @server IBM System z family of servers uses the z/Architecture

architecture. It is the successor to the S/390 and 9672 family of servers. See also *Enterprise Systems Architecture/390*.

z/OS. An operating system for the IBM eServer product line that supports 64-bit real storage.

IBM System z. (1) An IBM @server family of servers that emphasizes near-zero downtime. (2) IBM enterprise servers based on z/Architecture.

IBM System z storage. Storage arrays and logical volumes that are defined in the ESS as connected to IBM System z servers. See also *S/390 storage*.

Index

Special characters

/opt/IBMsdd/bin/showvpath command 303

A

about this book xxi

accessing

AIX

- add a data path volume to a volume group SMIT panel 78
- add a volume group with data path devices SMIT panel 78
- add paths to available data path devices SMIT panel 78
- backup a volume group with data path devices SMIT panel 79
- configure a defined data path device SMIT panel 78
- define and configure all data path devices SMIT panel 77
- display data path device adapter status SMIT panel 77
- display data path device configuration SMIT panel 76
- Display Data Path Device Status SMIT panel 77
- remake a volume group with data path devices SMIT panel 80
- remove a data path device SMIT panel 78
- Remove a Physical Volume from a Volume Group SMIT panel 79

adapter

- firmware level 16, 100
- upgrading firmware level to (sf320A9) 100

adapters 269

configuring

- Linux 175
- NetWare 269
- Windows 2000 321
- Windows NT 307
- Windows Server 2003 337, 338, 355
- LP70000E 12, 97

adding

paths

- Windows NT 309
- Windows Server 2003 host systems 342, 358
- storage for Windows NT host systems 313

adding paths

AIX

- to SDD vpath devices volume group 40

addpaths

- utility programs, AIX 80

addpaths command 72, 80

agreement for licensed internal code 407

AIX

4.3.3

- 32-bit applications 18
- 64-bit applications 18

AIX (continued)

5.1.0

- 32-bit applications 18
- 64-bit applications 18

accessing

- add a data path volume to a volume group SMIT panel 78
- add a volume group with data path devices SMIT panel 78
- add paths to available data path devices SMIT panel 78
- backup a volume group with data path devices SMIT panel 79
- configure a defined data path device SMIT panel 78
- define and configure all data path devices SMIT panel 77
- display data path device adapter status SMIT panel 77
- display data path device configuration SMIT panel 76
- Display Data Path Device Status SMIT panel 77
- remake a volume group with data path devices SMIT panel 80
- Remove a Physical Volume from a Volume Group SMIT panel 79
- removing a data path device SMIT panel 78

applications

- 32-bit 18
- 64-bit 18

backing-up files belonging to an SDD volume group 74

changing the path-selection policy 62, 186

configuring

- volume group for failover protection 67
- configuring SDD 32, 38

dynamically adding paths to SDD vpath devices of a volume group 40

error messages 401

- messages for persistent reserve environment 401

exporting

- volume group with SDD 73

extending

- an existing SDD volume group 74

importing

- volume group with SDD 72

installing SDD 20

installing SDDPCM 101

migrating

- an existing non-SDD volume group to SDD vpath devices in concurrent mode 89
- non-SDD volume group to a SAN Volume Controller SDD multipath volume group in concurrent mode 87
- non-SDD volume group to an ESS SDD multipath volume group in concurrent mode 87

MPIO devices 111

AIX (continued)

- recovering
 - from mixed volume groups 74
 - removing SDD from a host system 43
 - removing SDDPCM from a host system 108
 - restoring files belonging to an SDD volume group 75
 - SDD utility programs 80
 - SDD-specific SMIT panels 75
 - the loss of a device path 69
 - unconfiguring SDD 38
 - unsupported environments 11, 96
 - upgrading 24
 - upgrading manually 24
 - verifying SDD 39
 - verifying SDD installation 30
- AIX 5.1.0
- 32-bit 18
 - 64-bit 18
- AIX 5.2.0
- 32-bit 18
 - 64-bit 18
- AIX fibre-channel requirements 14, 99
- AIX host system
- disk driver 2
 - protocol stack 2
- AIX Hot Plug support 41
- AIX trace 91, 118
- article
- Microsoft Knowledge Base Article Number Q293778
 - information about removing multipath access to your shared volume 315

B

- backing-up AIX files belonging to an SDD volume group 74
- BIOS, disabling 307, 321, 338
- block disk device interfaces (SDD) 148, 283
- boot -r command 301
- bootinfo -K command 18

C

- cat /proc/modules command 179
- cat /proc/scsi/scsi command 180
- cat /proc/scsi/xxx/N command 180
- cat /proc/sdd command 180
- cd /media command 175, 176
- cd /mnt command 175, 176
- cd /opt/IBMsdd command 177
- cd /opt/IBMsdd/bin command 178
- cfallvpath 46
- cfgmgr
 - run *n* times where *n* represents the number of paths per SDD device. 71
 - run for each installed SCSI or fibre-channel adapter 71
- cfgmgr command 15, 41, 71, 106
- cfgvpath command 183

- changing
 - path-selection policy for AIX 62, 186
 - path-selection policy for HP 154
 - path-selection policy for Solaris 292
 - SDD hardware configuration
 - HP-UX host systems 153
 - Solaris hosts 290
 - to the /dev directory
 - HP-UX host systems 167
- chdev command 70, 71
- chgrp command 300
- chkconfig - -level X sdd on command 185
- chkconfig - -level X sdd off command 185
- chkconfig - -list sdd command 185
- chkvpenv command 179
- chmod command 300
- command
 - addpaths 72, 80
 - bootinfo -K 18
 - cfgmgr 15, 71, 106
 - running *n* times for *n*-path configurations 41, 71
 - running for each relevant SCSI or FCP adapter 41
 - chdev 70, 71
 - datapath clear device count 373
 - datapath disable ports 374
 - datapath enable ports 375
 - datapath open device path 376
 - datapath query adapter 378
 - datapath query adaptstats 380
 - datapath query device 67, 71, 381
 - datapath query devstats 384
 - datapath query essmap 386
 - datapath query portmap 387
 - datapath query version 389
 - datapath query wwpn 390
 - datapath remove adapter 391
 - datapath remove device 392
 - datapath remove device path 392
 - datapath set adapter 394
 - datapath set device 0 path 0 offline 396
 - datapath set device N policy rr/fo/lb/df 63, 155, 187, 292
 - datapath set device path 396
 - datapath set device policy 395
 - datapath set qdepth 397
 - dpovgfix 67, 81
 - dpovgfix vg-name 41, 71
 - extendvg 74
 - extendvg4vp 74, 83
 - hd2vp and vp2hd 80
 - hd2vp vg_name 25
 - HP-UX host system
 - hd2vp 154
 - vgexport 163
 - vgimport 164
 - vp2hd 154
 - vpcluster 164
 - installp 15
 - instfix -i | grep IY10201 15
 - instfix -i | grep IY10994 15

command (continued)

instfix -i | grep IY11245 15
instfix -i | grep IY13736 15
instfix -i | grep IY17902 15
instfix -i | grep IY18070 15
ls -al /unix 18
lscfg -vl fcsN 16, 100
lsdev -Cc disk 16, 106
lsdev -Cc disk | grep 2105 32
lsdev -Cc disk | grep SAN Volume Controller 32
lslpp -l ibmSdd_432.rte 30
lslpp -l ibmSdd_433.rte 30
lslpp -l ibmSdd_510.rte 30, 31
lslpp -l ibmSdd_510nchacmp.rte 30, 31
lspv 25, 41, 69
lsvg -p vg-name 68
lsvgfs 25
lsvpcfg 25, 41, 66, 70, 81
mkdev -l vpathN 39
mksysb restore command 69
mkvg 68
mkvg4vp 68, 82
odmget -q "name = ioaccess" CuAt 49
pcmpath clear device count 124
pcmpath disable ports 125
pcmpath enable ports 127
pcmpath open device path 129
pcmpath query adapter 131
pcmpath query adaptstats 132
pcmpath query device 133
pcmpath query devstats 135
pcmpath query essmap 137
pcmpath query portmap 138
pcmpath query version 139
pcmpath query wwpn 140
pcmpath set adapter 141
pcmpath set device 0 path 0 offline 145
pcmpath set device algorithm 142
pcmpath set device health_check mode 144
pcmpath set device path 145
pcmpath set health_check time interval 143
querysn 46, 83
restvg 75
restvg4vp 75
rmdev 71, 72
rmdev -dl dpo -R 25, 43, 108
rmdev -dl fcsN -R 16, 106
rmdev -l dpo -R 39
savevg 74
savevg4vp 74
shutdown -rF 15, 106
smitty 25
smitty deinstall 15
smitty device 25
smitty uninstall 15
table of, in installation package 19
umount 25
using 147, 371
varyoffvg 25, 32
varyonvg vg_name 25

commands

/opt/IBMsdd/bin/showvpath 303
boot -r 301
cat /proc/modules 179
cat /proc/scsi/scsi 180
cat /proc/scsi/xxx/N 180
cat /proc/sdd 180
cd /media 175, 176
cd /mnt 175, 176
cd /opt/IBMsdd 177
cd /opt/IBMsdd/bin 178
cfgvpath 183
chgrp 300
chkconfig - -level X sdd off 185
chkconfig - -level X sdd on 185
chkconfig - -list sdd 185
chkvpenv 179
chmod 300
datapath query
 adapter 317
 device 184, 308, 323, 324, 339, 356
datapath query device 151
datapath set adapter # offline 331, 349, 363
datapath set adapter offline 331, 349, 363
esvpcfg 264
insmod ./vpath.o 179
ls -l 178
lsvpcfg 184
lsvpd 181
metadb -a <device> 302
metadb -d -f <device> 302
metadb -i 302
metainit 302
metainit d <metadevice number> -t <"vpathNs" -
 master device> <"vpathNs" - logging device> 303
metastat 302, 303
newfs 303
orainst /m 298
pkgmgr IBMsdd 303
rmvpath xxx 183
rpm -e IBMsdd command 188
rpm -qi IBMsdd 177, 188
rpm -ql IBMsdd 177, 188
showvpath 167, 299, 300, 301, 302
shutdown -i6 -y -g0 302
umount 303
umount /cdrom 289
unmod ./sdd-mod.o 188
commands datapath set adapter # offline 315
commands datapath set adapter offline 315
comments, how to send xxix
concurrent download of licensed machine code
 SDD 7
configuring
 additional paths on a Windows NT host system 311
 AIX
 cabling storage side switch ports 16, 106
 disk storage system 13
 ESS 98
 fibre-channel attached devices 14, 99
 fibre-channel-attached devices 15, 106

- configuring *(continued)*
 - AIX *(continued)*
 - SAN Volume Controller 13
 - volume group for failover protection 67
 - clusters with SDD
 - Windows 2000 host system 331
 - Windows NT host system 316
 - Windows Server 2003 host system 349, 364
 - disk storage system
 - NetWare host systems 269
 - Windows 2000 321
 - ESS
 - HP-UX host systems 148
 - Linux host systems 174
 - Solaris host systems 282
 - Windows NT 307
 - fibre-channel adapters
 - Linux host systems 175
 - NetWare host systems 269
 - Windows 2000 host system 321
 - Windows NT host system 307
 - Windows Server 2003 host system 337, 355
 - SAN File System
 - Linux host systems 174
 - SAN Volume Controller
 - Solaris host systems 282
 - SCSI adapters
 - Windows 2000 host systems 321
 - Windows NT 307
 - Windows Server 2003 host systems 338
 - SDD
 - at system startup 184
 - Linux host systems 178, 179
 - NetWare host systems 271
 - Solaris host systems 290
 - Windows NT host system 309
 - SDD for AIX host 32
 - SDD on AIX 38
 - supported storage device
 - Windows Server 2003 337, 355
 - virtualization products
 - Linux host systems 174
- configuring all SDD vpath devices to the Available state 72
- configuring an SDD vpath device to the Available state 72
- conversion script
 - vp2hd 38
- conversion scripts
 - hd2vp 80
 - vp2hd 80
- creating
 - device node for the logical volume device in an HP-UX host systems 167
 - directory in /dev for the volume group in an HP-UX host systems 167
 - file system on the volume group in an HP-UX host systems 168
 - logical volume in an HP-UX host systems 168
 - new logical volumes in an HP-UX host systems 167
 - physical volume in an HP-UX host systems 168

- creating *(continued)*
 - volume group in an HP-UX host systems 168
- customizing
 - Network File System file server 171
 - Oracle 297
 - standard UNIX applications 166, 295

D

- database managers (DBMS) 283
- datapath
 - clear device count command 373
 - disable ports command 374
 - enable ports command 375
 - open device path command 376
 - query
 - adapter command 317
 - device command 184, 308, 317
 - query adapter command 378
 - query adaptstats command 380
 - query device command 381
 - query devstats command 384
 - query essmap command 386
 - query portmap command 387
 - query set adapter command 394
 - query version command 389
 - query wwpn command 390
 - remove adapter command 391
 - remove device path command 392
 - set adapter # offline command 315, 331, 349, 363
 - set adapter offline command 315, 331, 349, 363
 - set device path command 396
 - set device policy command 395
 - set qdepth command 397
- datapath query adapter 156, 391, 392
- datapath query device command 67, 71
- datapath remove adapter 391
- datapath remove device 392
- datapath set device 0 path 0 offline command 396
- datapath set device N policy rr/fo/lb/df command 63, 155, 187, 292
- datapath set qdepth 397
- definitions 409
- determining
 - AIX
 - adapter firmware level 16, 100
 - major number of the logical volume device for an HP-UX host systems 167
 - size of the logical volume for an HP-UX host systems 169
- device driver 282
- devices.fcp.disk.ibm.rte 10, 13
- devices.fcp.disk.ibm2105.rte 10
- devices.scsi.disk.ibm2105.rte 10
- disk storage system
 - configuring for NetWare 269
 - configuring on
 - Windows 2000 321
- displaying
 - AIX
 - ESS SDD vpath device configuration 66

- displaying *(continued)*
 - current version of SDD
 - Windows 2000 324
 - Windows Server 2003 341, 357
 - current version of the SDD
 - Windows NT 309
- dpovgfix command 67, 81
- dpovgfix vg-name command 41, 71
- dynamic I/O load-balancing 7
- Dynamically opening an invalid or close_dead path 63
- Dynamically removing or replacing adapters
 - AIX Hot Plug support 41
- Dynamically removing or replacing paths
 - AIX Hot Plug support 41
- Dynamically removing paths 43
- Dynamically replacing adapters
 - different type replacement 41
 - same type replacement 41

E

- enhanced data availability 4
- error log messages
 - AIX
 - VPATH_DEVICE_ONLINE 401
- error messages
 - AIX
 - messages for persistent reserve environment 401
 - VPATH_DEVICE_OFFLINE 401
 - VPATH_PATH_OPEN 401
 - VPATH_XBUF_NOMEM 401
 - Windows 402
- error messages for ibmSdd_433.rte installation package for SDD
 - AIX
 - VPATH_FAIL_RELPRESERVE 401
 - VPATH_OUT_SERVICE 401
 - VPATH_RESV_CFLICT 401
- ESS
 - AIX
 - displaying SDD vpath device configuration 66
 - configuring for HP 148
 - configuring for Linux 174
 - configuring for Solaris 282
 - configuring on Windows NT 307
- ESS devices (hdisks) 86
- ESS LUNs 86
- exporting a volume group with SDD, AIX 73
- extending an existing SDD volume group, AIX 74
- extendvg command 74
- extendvg4vp command 74, 83

F

- failover 7
- failover protection, AIX
 - creating a volume group from a single-path SDD vpath device 70
 - losing 69

- failover protection, AIX *(continued)*
 - manually deleted devices and running the configuration manager 71
 - side effect of running the disk change method 70
 - the loss of a device path 69
 - verifying load-balancing and failover protection 66
 - when it doesn't exist 67
- fibre-channel adapters
 - configuring
 - Linux host systems 175
 - NetWare host systems 269
 - configuring for Windows 2000 321
 - configuring for Windows Server 2003 337, 355
 - supported
 - HP-UX host systems 147
 - Linux host systems 173
 - Solaris host systems 281
 - Windows 2000 host systems 320
 - Windows NT host systems 306
 - Windows Server 2003 host systems 336, 354
 - supported on AIX host systems 12, 97
 - supported on NetWare host systems 269
- fibre-channel device drivers
 - configuring for AIX 14, 99
 - devices.common.IBM.fc 14, 99
 - devices.fcp.disk 14, 99
 - devices.pci.df1000f7 14, 99
 - installing for AIX 14, 99
 - supported on AIX host systems 12, 97
 - supported on NetWare host systems 269

G

- glossary 409

H

- HACMP
 - concurrent mode 47
 - hd2vp conversion script 49
 - importing volume groups 49
 - node failover 59
 - nonconcurrent mode 47
 - persistent reserve 49
 - recovering paths 59
 - SDD persistent reserve attributes 49
 - software support for nonconcurrent mode 48
- hardware configuration
 - changing
 - HP-UX host systems 153
 - Solaris host systems 290
- hardware requirements
 - HP
 - host systems 147
 - Linux host systems 173
 - Solaris host systems 281
- hd2vp and vp2hd command 80
- hd2vp command
 - HP-UX host system 154
- hd2vp vg_name command 25

- hdisk device
 - chdev 70
 - modify attributes 70
- healthcheck 112
- High Availability Cluster Multi-Processing (HACMP) 47
- HP
 - changing the path-selection policy 154
 - SCSI disk driver (sdisk) 148
 - unsupported environments 147
- HP host system
 - disk driver 2
 - protocol stack 2
- HP-UX
 - disk device drivers 158, 166
 - LJFS file system 171
 - operating system 147
- HP-UX 11.0
 - 64-bit 147, 149
- HP-UX 11.11
 - 32-bit 149
 - 64-bit 149
- HP-UX 11.23
 - IA 64-bit 149
 - PA_RISC 64-bit 149
- HP-UX 11i
 - 32-bit 147
 - 64-bit 147
- HP-UX host systems
 - changing
 - SDD hardware configuration 153
 - to the /dev directory 167
 - creating
 - a file system on the volume group 168
 - a logical volume 168
 - a volume group 168
 - device node for the logical volume device 167
 - directory in /dev for the volume group 167
 - new logical volumes 167
 - physical volume 168
 - determining
 - major number of the logical volume 167
 - size of the logical volume 169
 - installing SDD 150
 - on a Network File System file server 171
 - on a system that already has NFS file server 172
 - mounting the logical volume 168
 - re-creating
 - existing logical volume 169
 - logical volume 170
 - physical volume 167, 169
 - volume group 170
 - removing
 - existing logical volume 168
 - existing volume group 169
 - logical volumes 168
 - SDD 147
 - setting the correct timeout value for the logical volume manager 170
 - setting up Network File System for the first time 171

- HP-UX host systems (*continued*)
 - standard UNIX applications 166
 - understanding how SDD works 148
 - upgrading SDD 148, 151
 - using applications with SDD 166

I

- IBM Subsystem Device Driver, Installing Linux over the SAN with an 194
- IBM System p with static LPARs configured 17
- ibm2105.rte 13
- ibm2105.rte ESS package 12
- ibmSdd_433.rte installation package
 - for SDD 1.2.2.0
 - removing 49
 - for SDD 1.3.2.0. SDD vpath devices
 - unconfiguring 49
- importing a volume group with SDD, AIX 72
- insmod ./sdd-mod.o command 179
- installation package
 - AIX 20
 - devices.fcp.disk.ibm2105.mpio.rte 101
 - devices.sdd.nn.rte 20
 - devices.sdd.43.rte 18, 39
 - devices.sdd.51.rte 18, 39
 - devices.sdd.52.rte 18
 - devices.sddpcm.52.rte 109
 - ibmSdd_432.rte 30, 44, 48, 87
 - ibmSdd_433.rte 30, 31, 44, 48, 49, 87, 401
 - ibmSdd_510.rte 31, 44, 48
 - ibmSdd_510nchacmp.rte 44, 48
- installing
 - additional paths on a Windows NT host system 311
 - AIX
 - fibre-channel device drivers 14, 99
 - planning 9, 93
 - SDD 20
 - SDDPCM 101
 - converting an Oracle installation from sdisk on a Solaris host system 300
 - NetWare
 - planning 267
 - Oracle
 - Solaris host systems 297
 - SDD
 - HP-UX host systems 147, 150
 - Linux host systems 173, 175
 - NetWare host systems 271
 - Solaris host systems 281, 284
 - Windows 2000 host system 319
 - Windows NT host system 305, 307
 - Windows Server 2003 host system 335, 338, 340
 - SDD 1.4.0.0 (or later)
 - Windows 2000 host system 322
 - SDD 1.6.0.0 (or later)
 - Windows Server 2003 host system 338
 - SDD on a Network File System file server on a Solaris host system 295

- installing *(continued)*
 - SDD on a Network File System file server on an HP-UX host systems 171
 - SDD on a system that already has Network File System file server 296
 - SDD on a system that already has NFS file server on an HP-UX host systems 172
 - SDD on a system that already has Oracle on a Solaris host system 299
 - SDD on a system that already has Solstice DiskSuite in place on a Solaris host system 302
 - SDDDSM
 - Windows Server 2003 host system 353, 355
 - Solaris Volume Manager for the first time on a Solaris host system 301
 - using a file system on a Solaris host system 299
 - using raw partitions on a Solaris host system 299
 - vpath on a system that already has UFS logging in place on a Solaris host system 303
- installp command 15
- instfix -i | grep IY10201 command 15
- instfix -i | grep IY10994 command 15
- instfix -i | grep IY11245 command 15
- instfix -i | grep IY13736 command 15
- instfix -i | grep IY17902 command 15
- instfix -i | grep IY18070 command 15

K

- KB 136, 385

L

- licensed internal code
 - agreement 407
- Linux
 - unsupported environments 174
- Linux host system
 - disk driver 2
 - protocol stack 2
- Linux host systems
 - configuring
 - ESS 174
 - fibre-channel adapters 175
 - SAN File System 174
 - SDD 178, 184
 - virtualization products 174
 - installing SDD 173, 175
 - maintaining SDD vpath device configuration persistency 185
 - partitioning SDD vpath devices 263
 - preparing SDD installation 174
 - removing SDD 188
 - upgrading SDD 176
 - using
 - SDD configuration 179
 - standard UNIX applications 264
 - verifying SDD installation 177
- load-balancing, AIX 66
- loading SDD on Linux 178, 179
- loading SDD on NetWare 271

- loading SDD on Solaris 290
- logical volume manager 283
- losing failover protection, AIX 69
- ls -al /unix command 18
- ls -l command 178
- lscfg -vl fcsN command 16, 100
- lsdev -Cc disk | grep 2105 command 32
- lsdev -Cc disk | grep SAN Volume Controller command 32
- lsdev -Cc disk command 16, 106
- lspp -l '*Sdd*' command 30
- lspp -l ibmSdd_432.rte command 30
- lspp -l ibmSdd_433.rte command 30
- lspp -l ibmSdd_510.rte command 30, 31
- lspp -l ibmSdd_510nchacmp.rte command 30, 31
- lspv command 25, 41, 69
- lsvg -p vg-name command 68
- lsvgfs command 25
- lsvpcfg 46
- lsvpcfg command 25, 41, 66, 70, 81, 184, 264
- lsvpcfg utility programs, AIX 81
- lsvpd command 181

M

- maintaining SDD vpath device configuration persistency, for Linux host systems 185
- Manual Exclusion of disk storage system devices from the SDD configuration 46
- metadb -a <device> command 302
- metadb -d -f <device> command 302
- metadb -i command 302
- metainit command 302
- metainit d <metadevice number> -t <"vpathNs" - master device> <"vpathNs" - logging device> command 303
- metastat command 302, 303
- migrating
 - AIX
 - an existing non-SDD volume group to SDD vpath devices in concurrent mode 89
 - non-SDD volume group to a SAN Volume Controller SDD multipath volume group in concurrent mode 87
 - non-SDD volume group to an ESS SDD multipath volume group in concurrent mode 87
- mirroring logical volumes 88
- mkdev -l vpathN command 39
- mksysb restore command 69
- mkvg command 68
- mkvg4vp command 68, 82
- modifying multipath storage configuration to the ESS, Windows NT host system 313
- mounting the logical volume, HP 168

N

- NetWare
 - example command output 275
- NetWare host systems
 - configuring
 - disk storage system 269

- NetWare host systems *(continued)*
 - configuring *(continued)*
 - fibre-channel adapters 269
 - SDD 271
 - error logging 274
 - error reporting 274
 - installing SDD 271
 - preparing SDD installation 269
 - removing SDD 275
 - supported environments 268
 - unsupported environments 268
- newfs command 303
- notices
 - licensed internal code 407
 - notices statement 405

O

- odmget -q "name = ioaccess" CuAt command 49
- oraInst /m command 298

P

- partitioning SDD vpath devices, for Linux host systems 263
- path-failover protection system 7
- path-selection policy
 - changing 63, 155, 187, 292
 - default (optimized) 273
 - failover only 62, 154, 186, 273, 292
 - load balancing 154, 186, 273, 292
 - load-balancing 62
 - round robin 62, 155, 186, 272, 292
- pcmpath
 - clear device count command 124
 - disable ports command 125
 - enable ports command 127
 - open device path command 129
 - pcmpath set device algorithm 142
 - pcmpath set device hc_interval 143
 - pcmpath set device health_check mode 144
 - query adapter command 131
 - query adaptstats command 132
 - query device command 133
 - query devstats command 135
 - query essmap command 137
 - query portmap command 138
 - query set adapter command 141
 - query version command 139
 - query wwpn command 140
 - set device path command 145
- pcmpath set device 0 path 0 offline command 145
- Persistent Reserve command set 49
- pkgmgr IBMssdd command 303
- planning
 - AIX
 - adapter firmware level 16, 100
 - disk storage system 13
 - ESS 98
 - fibre-channel attached devices 14, 99
 - fibre-channel device drivers 14, 99

- planning *(continued)*
 - AIX *(continued)*
 - fibre-channel-attached devices 15, 106
 - preparing 13, 97
 - SAN Volume Controller 13
 - AIX installation 9, 93
 - disk storage system
 - NetWare host systems 269
 - Windows 2000 host system 321
 - ESS
 - HP-UX host systems 148
 - Linux host systems 174
 - Solaris host systems 282
 - Windows NT host system 307
 - fibre-channel adapters
 - Windows 2000 host system 321
 - Windows NT host system 307
 - Windows Server 2003 host system 337, 355
 - hardware and software requirements on a Solaris host system 281
 - hardware and software requirements on an HP-UX host systems 147
 - hardware requirements
 - Fibre adapters and cables 96
 - supported storage devices 96
 - hardware requirements, AIX
 - disk storage systems 10
 - Fibre channel adapters and cables 10
 - Host system 10
 - SAN Volume Controller 10
 - SCSI adapters and cables 10
 - hardware requirements, SDDPCM
 - Fibre adapters and cables 95
 - Host system 95
 - supported storage devices 95
 - hardware requirements, Windows 2000
 - ESS 319
 - hardware requirements, Windows NT
 - ESS 305
 - hardware requirements, Windows Server 2003 335
 - disk storage system 353
 - host system requirements, AIX 11
 - ESS 11
 - Fibre 12
 - SAN Volume Controller 12
 - SCSI 12
 - supported storage devices 96
 - host system requirements, NetWare 267
 - disk storage system 268
 - Fibre 269
 - SCSI 268
 - host system requirements, SDDPCM 96
 - Fibre 96
 - host system requirements, Windows 2000
 - ESS 319
 - host system requirements, Windows NT
 - ESS 306
 - host system requirements, Windows Server 2003
 - disk storage system 336
 - installation of SDD
 - HP-UX host systems 148

- planning (*continued*)
 - installation of SDD (*continued*)
 - Solaris host systems 283
 - NetWare installation 267
 - preparing
 - Solaris host systems 282
 - preparing for SDD installation on an HP-UX host systems 148
 - SAN File System
 - Linux host systems 174
 - SAN Volume Controller
 - Solaris host systems 282
 - SCSI adapters
 - Windows NT host systems 307
 - SDD
 - HP-UX host systems 147
 - Linux host systems 173, 174
 - NetWare host systems 269
 - Solaris host systems 281
 - Windows 2000 host system 321
 - Windows NT host system 305
 - Windows Server 2003 host system 337, 354
 - software requirements
 - Windows 2000 operating system 319
 - Windows NT operating system 305
 - Windows Server 2003 operating system 335, 353
 - software requirements, AIX
 - AIX operating system 10
 - ibm2105.rte ESS package 10
 - SCSI and fibre-channel device drivers 10
 - software requirements, AIX 5.2 ML07 (or later) or AIX 5.3 ML03 (or later)
 - fibre-channel device drivers 96
 - software requirements, SDDPCM
 - AIX 5.2 ML07 (or later) or AIX 5.3 ML03 (or later) operating system 96
 - supported storage device
 - Windows Server 2003 host system 337, 355
 - virtualization products
 - Linux host systems 174
 - Windows 2000
 - disk storage system 321
 - Windows Server 2003
 - supported storage device 337, 355
- postinstallation of SDD
 - HP-UX host systems 158
 - Solaris host systems 287
- preparing
 - AIX
 - SDD installation 13
 - SDDPCM installation 97
 - configure on AIX 32
 - SDD
 - HP-UX host systems 148
 - Linux host systems 174
 - NetWare host systems 269
 - Windows 2000 installation 321
 - Windows NT host system 307
 - Windows Server 2003 installation 337, 354

- preparing (*continued*)
 - SDD installation
 - Solaris host systems 282
- pvid 87
- PVID 69

Q

- qdepth_enable 37

R

- raw
 - device interface (sd) 283
 - device interface (sdisk) 148
- re-creating
 - existing logical volume
 - on a HP-UX host systems 169
 - physical volume
 - on an HP-UX host systems 167
 - the logical volume
 - on an HP-UX host systems 170
 - the physical volume
 - on a HP-UX host systems 169
 - the volume group
 - on an HP-UX host systems 170
- recovering from mixed volume groups 74
- recovering from mixed volume groups, AIX 74
- recovery procedures for HP 168, 171
- remote boot support
 - Windows 2000 328
 - Windows Server 2003 345, 361
- removing
 - existing logical volume
 - on an HP-UX host system 168
 - existing volume group
 - on an HP-UX host systems 169
 - logical volumes
 - on an HP-UX host systems 168
 - SDD
 - Linux host systems 188
 - NetWare host systems 275
 - Windows 2000 host system 327
 - Windows NT host system 315
 - Windows Server 2003 host system 345, 361
 - SDD from an AIX host 43
 - SDD from an AIX host system 43
 - SDDPCM from an AIX host 108
 - SDDPCM from an AIX host system 108
 - removing SDD in a two-node cluster environment 332, 350
 - removing SDDDSM in a two-node cluster environment 365
- Replacing manually excluded devices in the SDD configuration 46
- requirements
 - disk storage system
 - Windows Server 2003 host system 336
 - ESS
 - Windows 2000 host system 319
 - Windows NT 306

- requirements *(continued)*
 - hardware
 - Fibre adapters and cables 96
 - supported storage devices 96
 - hardware and software
 - Linux host systems 173
 - hardware and software on a Solaris host system 281
 - hardware and software, HP 147
 - hardware, AIX
 - disk storage systems 10
 - Fibre channel adapters and cables 10
 - Host system 10
 - SAN Volume Controller 10
 - SCSI adapters and cables 10
 - hardware, SDDPCM
 - Fibre adapters and cables 95
 - Host system 95
 - supported storage devices 95
 - hardware, Windows 2000
 - ESS 319
 - hardware, Windows NT
 - ESS 305
 - hardware, Windows Server 2003 335
 - disk storage system 353
 - host system, AIX 11
 - ESS 11
 - Fibre 12
 - SAN Volume Controller 12
 - SCSI 12
 - supported storage devices 96
 - host system, NetWare 267
 - disk storage system 268
 - Fibre 269
 - SCSI 268
 - host system, SDDPCM 96
 - Fibre 96
 - software
 - Windows 2000 operating system 319
 - Windows NT operating system 305
 - Windows Server 2003 operating system 335, 353
 - software, AIX
 - AIX operating system 10
 - ibm2105.rte ESS package 10
 - SCSI and fibre-channel device drivers 10
 - software, SDDPCM
 - AIX 5.2 ML07 (or later) or AIX 5.3 ML03 (or later) operating system 96
- restoring
 - AIX
 - files belonging to an SDD volume group 75
- restvg command 75
- restvg4vp command 75
- reviewing the existing SDD configuration information,
 - Windows NT 309, 313
- rmdev -dl dpo -R command 25, 43, 108
- rmdev -dl fcsN -R command 16, 106
- rmdev -l dpo -R command 39
- rmdev command 71, 72
- rmvpath xxx command 183, 184

- rpm -e IBMsd command 188
- rpm -qi IBMsd command 177, 188
- rpm -ql IBMsd command 177, 188

S

- SAN File System
 - configuring for Linux 174
- SAN Volume Controller
 - configuring for Solaris 282
- SAN Volume Controller Preferred Node path selection algorithm 8, 155
- savevg command 74
- savevg4vp command 74
- SCSI adapter support
 - AIX host systems 12
 - HP-UX host systems 147
 - NetWare host systems 269
 - Solaris host systems 281
 - Windows 2000 host system 320
 - Windows NT host system 306
 - Windows Server 2003 host system 336
- SCSI-3 Persistent Reserve command set 49
- SDD
 - architecture 2
 - displaying the current version on Windows Server 2003 341
 - how it works on an HP-UX host system 148
 - how it works on Solaris 282
 - installation scenarios 149
 - installing
 - AIX 9
 - HP-UX host system 147
 - Linux 173
 - NetWare 267
 - Solaris host systems 281
 - Windows 2000 host system 319, 322
 - Windows NT 305
 - Windows Server 2003 host system 335, 338, 340
 - introduction 2
 - overview 2
 - postinstallation of SDD
 - HP-UX host systems 158
 - postinstallation on Solaris host systems 287
 - removing SDD on Windows NT 315
 - uninstalling
 - HP-UX host systems 161
 - upgrading
 - HP-UX host systems 148
 - Windows 2000 323
 - Windows Server 2003 340
 - using applications
 - with SDD on HP Network File System file server 171
 - with SDD on HP-UX standard UNIX applications 166
 - with SDD on Linux standard UNIX applications 264
 - with SDD on Solaris Network File System file Server 295

- SDD (*continued*)
 - using applications (*continued*)
 - with SDD on Solaris standard UNIX applications 295
 - with SDD on Solaris, Oracle 297
 - verifying additional paths to SDD devices 311, 326, 343
 - verifying configuration 39
 - Web site xxii
- SDD configuration
 - checking 39
- SDD devices
 - reconfiguring 41
- SDD server daemon 367
 - AIX host system 19, 60, 262
 - HP-UX host system 161
 - Solaris host system 294
 - Windows 2000 host system 333
 - Windows NT host system 318
 - Windows Server 2003 host system 350
- SDD userspace commands for reconfiguration 183, 184
- SDD utility programs, AIX 80
- SDD vpath devices 86
- SDDDSM
 - displaying the current version on Windows Server 2003 357
 - installing
 - Windows Server 2003 host system 353, 355
 - upgrading
 - Windows Server 2003 357
 - verifying additional paths to SDDDSM devices 359
- SDDDSM server daemon
 - Windows Server 2003 host system 366
- sddpcm 367
- SDDPCM
 - installing
 - AIX 93
 - updating package 103
- SDDPCM server 106
- SDDPCM server daemon 367
- sddserver.rte
 - AIX host system 16
- sddsrv 367
 - AIX host system 19, 60, 262
 - HP-UX host system 161
 - port binding 367
 - Solaris host system 294
 - trace 368
 - Windows 2000 host system 333
 - Windows NT host system 318
 - Windows Server 2003 host system 350, 366
- sddsrv for ESS Expert
 - AIX host system 16
- setting up
 - correct timeout value for the logical volume manager
 - on an HP-UX host system 170
 - Network File System for the first time on an HP-UX host system 171
 - NFS for the first time on a Solaris host system 295
- setting up (*continued*)
 - Oracle using a file system
 - Solaris host system 297
 - Oracle using raw partitions
 - Solaris host system 298
 - UFS logging on a new system on a Solaris host system 303
 - showvpath command 167, 299, 300, 301, 302
 - shutdown -i6 -y -g0 command 302
 - shutdown -rF command 15, 106
 - smit
 - definition 20, 102
 - SMIT
 - configuring
 - SDD for Windows NT host system 309
 - smitty
 - definition 20, 102
 - smitty command 25
 - smitty deinstall command 15
 - smitty device command 25
 - smitty uninstall command 15
 - software requirements
 - for SDD on HP 147
 - for SDD on Linux 173
 - for SDD on Solaris 281
- Solaris
 - changing the path-selection policy 292
 - host system
 - upgrading the Subsystem Device Driver on 283
 - operating system
 - upgrading SDD 281
 - sd devices 295
 - supported environments 281
 - UFS file system 295
 - unsupported environments 282
- Solaris disk device drivers 283
- Solaris host systems
 - changing SDD hardware configuration 290
 - configuring
 - SDD 290
 - installing
 - Solaris Volume Manager for the first time 301
 - vpath on a system that already has UFS logging in place 303
 - installing Oracle 297
 - installing SDD 284
 - converting an Oracle installation from sdisk 300
 - Network File System file server 295
 - system that already has Network File System file server 296
 - system that already has Oracle 299
 - system that already has Solstice DiskSuite in place 302
 - using a file system 299
 - using raw partitions 299
 - Oracle 297
 - SDD 281
 - SDD postinstallation 287
 - setting up
 - NFS for the first time 295
 - UFS logging on a new system 303

- Solaris host systems *(continued)*
 - Solaris Volume Manager 301
 - Solstice DiskSuite 301
 - standard UNIX applications 295
 - understanding how SDD works 282
 - upgrading SDD 289
 - using applications with SDD 295, 296
- Solaris SCSI disk driver 282
- Subsystem Device Driver, Installing Linux over the SAN with an IBM 194
- Subsystem device driver, see SDD. 301
- Sun host system
 - disk driver 2
 - protocol stack 2
- support for Windows 2000 331
- support for Windows NT 315
- support for Windows Server 2003 348, 363
- supported environments
 - NetWare host systems 268
 - Solaris 281
- supported storage device
 - configuring on
 - Windows Server 2003 337, 355
- synchronizing logical volumes 88
- System Management Interface Tool (SMIT) 20, 102
 - definition 20, 102
 - using for configuring 32
 - using to access the Add a Data Path Volume to a Volume Group panel on AIX host 78
 - using to access the Add a Volume Group with Data Path Devices panel on AIX host 78
 - using to access the backup a Volume Group with Data Path Devices on AIX host 79
 - using to access the Configure a Defined Data Path Device panel on AIX host 78
 - using to access the Define and Configure All Data Path Devices panel on AIX host 77
 - using to access the Display Data Path Device Adapter Status panel on AIX host 77
 - using to access the Display Data Path Device Configuration panel on AIX host 76
 - using to access the Display Data Path Device Status panel on AIX host 77
 - using to access the Remake a Volume Group with Data Path Devices on AIX host 80
 - using to access the Remove a Data Path Device panel on AIX host 78
 - using to access the Remove a Physical Volume from a Volume Group panel on AIX host 79
 - using to back up a volume group with SDD on AIX host 74
 - using to backup a volume group with SDD on AIX host 79
 - using to create a volume group with SDD on AIX host 67
 - using to display the SAN Volume Controller SDD vpath device configuration on AIX host 66
 - using to display the SDD vpath device configuration on AIX host 66
 - using to export a volume group with SDD on AIX host 73

- System Management Interface Tool (SMIT) *(continued)*
 - using to extend an existing SDD volume group on AIX host 74
 - using to import a volume group with SDD on AIX host 72
 - using to remove SDD from AIX host 43
 - using to remove SDDPCM from AIX host 108
 - using to restore a volume group with SDD on AIX host 80
 - using to restore a volume group with SDD vpath devices on AIX host 75
 - using to unconfigure SDD devices on AIX host 38
 - using to verify SDD configuration on AIX host 39

T

- trademarks 406

U

- umount
 - /cdrom command 289
 - command 303
- umount command 25
- unconfiguring all SDD devices to Defined state 72
- unconfiguring an SDD device to Defined state 72
- unconfiguring SDD on AIX 38
- understanding
 - how SDD works for HP-UX host systems 148
 - how SDD works for Solaris host systems 282
- unmod ./sdd-mod.o command 188
- unsupported environments
 - AIX 11, 96
 - HP 147, 148
 - Linux 174
 - NetWare host systems 268
 - Solaris 282
 - Windows 2000 319
 - Windows NT 305
 - Windows Server 2003 335, 353
- Updating SDD using a PTF 26
- upgrading
 - AIX
 - adapter firmware level 100
 - manually 24
 - SDD
 - HP-UX host system 151
 - Linux host system 176
 - Solaris host system 289
 - Windows 2000 host system 323
 - Windows NT host system 308
 - Windows Server 2003 host system 340
 - SDDDSM
 - Windows Server 2003 host system 357
- upgrading automatically
 - SDD 21
- upgrading manually
 - SDD
 - for AIX 4.3.2 24
 - for AIX 4.3.3 24
 - for AIX 5.1.0 24

- upgrading manually (*continued*)
 - SDD (*continued*)
 - for AIX 5.2.0 24
- upgrading to SDD 1.3.3.3 (or later) in a two-node cluster environment 332, 350
- using
 - HP-UX applications with SDD 166
 - Linux
 - standard UNIX applications 264
 - Solaris applications with SDD 295
- using command 147, 371
- using ESS devices directly, AIX 86
- using ESS devices through AIX LVM 86
- using SAN Volume Controller devices through AIX LVM 86
- using the datapath commands 371
- using the pcmpath commands 147
- using the SDDPCM trace function, AIX 118
- using the trace function, AIX 90
- utility programs, AIX
 - addpaths 80
 - dpovgfix 81
 - extendvg4vp 83
 - hd2vp and vp2hd 80
 - lsvpcfg 81
 - mkvg4vp 82
 - using disk storage system devices through AIX LVM 86
 - using ESS devices directly 86
 - using SAN Volume Controller devices through AIX LVM 86
 - using the SDDPCM trace function 118
 - using the trace function 90
- utility programs, AIX
 - hd2vp 154
 - vp2hd 154
 - vpcluster 164

V

- varyoffvg command 25, 32
- varyonvg vg_name command 25
- verifying
 - additional paths are installed correctly
 - Windows 2000 host system 326
 - Windows NT host system 311
 - Windows Server 2003 host system 343, 359
 - AIX
 - configuring SDD 39
 - SDD installation 30
 - SDD installation
 - Linux host systems 177
- Veritas Volume Manager
 - Command Line Interface for Solaris Web site 297
 - System Administrator's Guide Web site 297
- vgexport command
 - HP-UX host system 163
- vgimport command
 - HP-UX host system 164
- virtualization products
 - configuring for Linux 174

- volume group
 - mixed
 - how to fix problem 71
 - mixed volume groups
 - dpovgfix vg-name 71
- volume groups on AIX 68
- vp2hd command
 - HP-UX host system 154
- vpcluster command
 - HP-UX host system 164

W

- Web site
 - AIX APARs, maintenance level fixes and microcode updates 11, 96
 - information about removing multipath access to your shared volume
 - Multiple-Path Software May Cause Disk Signature to Change (Knowledge Base Article Number Q293778) 315
 - information on the fibre-channel adapters that can be used on your AIX host 12, 97
 - information on the fibre-channel adapters that can be used on your NetWare host 269
 - information on the SCSI adapters that can attach to your AIX host 12
 - information on the SCSI adapters that can attach to your NetWare host 269
 - NetWare APARs, maintenance level fixes and microcode updates 267
 - SDD xxii
- Web sites
 - HP-UX documentation 168, 171
 - information about
 - SCSI adapters that can attach to your Windows 2000 host system 320
 - SCSI adapters that can attach to your Windows NT host system 306
 - SCSI adapters that can attach to your Windows Server 2003 host system 336
- Windows 2000
 - unsupported environments 319
- Windows 2000 host system
 - clustering special considerations 331
 - configuring
 - cluster with SDD 331
 - disk storage system 321
 - fibre-channel adapters 321
 - SCSI adapters 321
 - disk driver 2
 - displaying the current version of the SDD 324
 - installing SDD 1.4.0.0 (or later) 322
 - path reclamation 331
 - protocol stack 2
 - removing SDD 327
 - SDD 319
 - support for clustering 331
 - upgrading SDD 323
 - verifying
 - additional paths to SDD devices 326

- Windows NT
 - adding
 - paths to SDD devices 309
 - unsupported environments 305
- Windows NT host system
 - adding
 - multipath storage configuration to the ESS 313
 - new storage to existing configuration 313
 - clustering special considerations 315
 - configuring
 - additional paths 311
 - clusters with SDD 316
 - SDD 309
 - disk driver 2
 - displaying the current version of the SDD 309
 - installing
 - additional paths 311
 - SDD 307
 - modifying multipath storage configuration to the ESS 313
 - path reclamation 315
 - protocol stack 2
 - removing SDD 315
 - reviewing existing SDD configuration information 309, 313
 - SDD 305
 - support for clustering 315
 - upgrading
 - SDD 308
 - verifying
 - additional paths to SDD devices 311
 - new storage is installed correctly 314
- Windows Server 2003
 - unsupported environments 335, 353
- Windows Server 2003 host system
 - adding
 - paths to SDD devices 342
 - paths to SDDDSM devices 358
 - clustering special considerations 348, 363
 - configuring
 - cluster with SDD 349, 364
 - fibre-channel adapters 337, 355
 - SCSI adapters 338
 - supported storage device 337, 355
 - displaying the current version of the SDD 341, 357
 - installing SDD 1.6.0.0 (or later) 338
 - installing SDDDSM 355
 - path reclamation 348, 363
 - removing SDD 345, 361
 - SDD 335
 - SDDDSM 353
 - support for clustering 348, 363
 - upgrading SDD 340
 - upgrading SDDDSM 357
 - verifying
 - additional paths to SDD devices 343
 - additional paths to SDDDSM devices 359

Readers' Comments — We'd Like to Hear from You

IBM System Storage
Multipath Subsystem Device Driver User's Guide

Publication No. SC30-4131-00

Overall, how satisfied are you with the information in this book?

	Very Satisfied	Satisfied	Neutral	Dissatisfied	Very Dissatisfied
Overall satisfaction	<input type="checkbox"/>	<input type="checkbox"/>	<input type="checkbox"/>	<input type="checkbox"/>	<input type="checkbox"/>

How satisfied are you that the information in this book is:

	Very Satisfied	Satisfied	Neutral	Dissatisfied	Very Dissatisfied
Accurate	<input type="checkbox"/>	<input type="checkbox"/>	<input type="checkbox"/>	<input type="checkbox"/>	<input type="checkbox"/>
Complete	<input type="checkbox"/>	<input type="checkbox"/>	<input type="checkbox"/>	<input type="checkbox"/>	<input type="checkbox"/>
Easy to find	<input type="checkbox"/>	<input type="checkbox"/>	<input type="checkbox"/>	<input type="checkbox"/>	<input type="checkbox"/>
Easy to understand	<input type="checkbox"/>	<input type="checkbox"/>	<input type="checkbox"/>	<input type="checkbox"/>	<input type="checkbox"/>
Well organized	<input type="checkbox"/>	<input type="checkbox"/>	<input type="checkbox"/>	<input type="checkbox"/>	<input type="checkbox"/>
Applicable to your tasks	<input type="checkbox"/>	<input type="checkbox"/>	<input type="checkbox"/>	<input type="checkbox"/>	<input type="checkbox"/>

Please tell us how we can improve this book:

Thank you for your responses. May we contact you? Yes No

When you send comments to IBM, you grant IBM a nonexclusive right to use or distribute your comments in any way it believes appropriate without incurring any obligation to you. IBM or any other organizations will only use the personal information that you supply to contact you about the issues that you state on this form.

Name

Address

Company or Organization

Phone No.



Fold and Tape

Please do not staple

Fold and Tape



NO POSTAGE
NECESSARY
IF MAILED IN THE
UNITED STATES

BUSINESS REPLY MAIL

FIRST-CLASS MAIL PERMIT NO. 40 ARMONK, NEW YORK

POSTAGE WILL BE PAID BY ADDRESSEE

International Business Machines Corporation
Information Development
Department GZW
9000 South Rita Road
Tucson, AZ 85744-0001



Fold and Tape

Please do not staple

Fold and Tape



Printed in USA

SC30-4131-00



Spine information:



IBM System Storage

Multipath Subsystem Device Driver User's Guide