

System Storage SAN Volume Controller
Version 6.4.0

Hardware Maintenance Guide



Note

Before using this information and the product it supports, read the general information in “Notices” on page 343, the information in the “Safety and environmental notices” on page xiii, as well as the information in the *IBM Environmental Notices and User Guide* , which is provided on a DVD.

This edition applies to IBM System Storage SAN Volume Controller, Version 6.4.0, and the IBM Storwize V7000, Version 6.4.0, and to all subsequent releases and modifications until otherwise indicated in new editions.

This edition replaces GC27-2287-02.

© **Copyright IBM Corporation 2010, 2012.**

US Government Users Restricted Rights – Use, duplication or disclosure restricted by GSA ADP Schedule Contract with IBM Corp.

Contents

Figures	v
--------------------------	----------

Tables	xi
-------------------------	-----------

Safety and environmental notices . . . **xiii**

General safety	xiii
Electrical safety	xv
Inspecting the SAN Volume Controller for unsafe conditions	xvi
External device check	xvii
Internal device checks	xviii
Checking the grounding of SAN Volume Controller, the uninterruptible power supply, and the redundant ac-power switch	xviii
Inspecting the uninterruptible power supply for unsafe conditions	xx
Uninterruptible power-supply requirements	xx
Emergency power-off shutdown	xxi
Handling static-sensitive devices	xxi
Environmental notices and statements	xxi
Product recycling and disposal.	xxi

About this guide **xxiii**

Who should use this guide	xxiii
Summary of changes	xxiii
Summary of changes for GC27-2283-00, SAN Volume Controller Hardware Maintenance Guide	xxiii
Emphasis	xxiv
SAN Volume Controller library and related publications	xxiv
Related websites	xxvii
How to order IBM publications	xxvii
Sending your comments	xxvii

Chapter 1. Parts listing **1**

SAN Volume Controller 2145-CG8 parts	1
SAN Volume Controller 2145-CF8 parts	6
SAN Volume Controller 2145-8A4 parts	10
SAN Volume Controller 2145-8G4 parts	13
SAN Volume Controller 2145-8F4 parts	17
SAN Volume Controller 2145-8F2 parts	18
Redundant ac-power switch parts	21
2145 UPS-1U parts	21
Power cables for the 2145 UPS-1U.	22

Chapter 2. Removing and replacing parts **25**

Enabling concurrent maintenance	25
Preparing to remove and replace parts	26
Working inside the node with the power on	26
Removing and replacing SAN Volume Controller parts.	26
Removing the cable-management arm	26
Replacing the cable-management arm	30

Removing the cable-retention bracket.	34
Replacing the cable-retention bracket	40
Removing the SAN Volume Controller from a rack	47
Replacing the SAN Volume Controller in a rack	58
Removing the support rails for a SAN Volume Controller	65
Installing the support rails for a SAN Volume Controller	69
Removing the top cover	80
Replacing the top cover	85
Removing the service controller	88
Replacing the service controller.	99
Replacing a disk drive and a service controller on the SAN Volume Controller	105
Removing and replacing the SAN Volume Controller power-cable assembly	105
Removing the memory modules (DIMM)	107
Replacing the memory modules (DIMM)	112
Removing the disk drive	113
Replacing the disk drive.	121
Removing a solid-state drive (SSD)	126
Replacing a solid-state drive (SSD)	129
Removing the disk-drive backplane	130
Replacing the disk-drive backplane	138
Removing the CMOS battery	146
Replacing the CMOS battery	152
Removing the power supply	160
Replacing the power supply	168
Removing the power backplane	178
Replacing the power backplane	180
Removing and replacing the frame assembly	182
Removing and replacing the Fibre Channel SFP transceiver on a SAN Volume Controller node	184
Removing the Fibre Channel adapter assembly	185
Replacing the Fibre Channel adapter assembly	193
Removing and replacing an Ethernet SFP transceiver	198
Removing the 10 Gbps Ethernet riser-card assembly	200
Replacing the 10 Gbps Ethernet riser-card assembly	203
Removing the high-speed SAS adapter	206
Replacing the high-speed SAS adapter	208
Removing the high-speed SAS adapter, the adapter cable, and the solid-state drive (SSD).	210
Replacing the high-speed SAS adapter, the adapter cable, and the solid-state drive (SSD).	214
Removing the disk-controller and USB riser-card assembly	217
Replacing the disk-controller and USB riser-card assembly	220
Removing the PCI express riser card assembly	225
Replacing the PCI express riser-card assembly	226
Removing the operator-information panel assembly	226

Replacing the operator-information panel assembly	235
Removing the operator-information panel cable	243
Replacing the operator-information panel cable	247
Removing the fans	251
Replacing the fans	257
Removing the SAN Volume Controller 2145-8F2 or SAN Volume Controller 2145-8F4 fan holder and fan backplanes	263
Replacing the SAN Volume Controller 2145-8F2 or SAN Volume Controller 2145-8F4 fan holder and fan backplanes	263
Removing the microprocessor	264
Replacing the microprocessor	272
Removing the SAN Volume Controller 2145-8F4 or SAN Volume Controller 2145-8F2 VRM	285
Replacing the SAN Volume Controller 2145-8F2 or SAN Volume Controller 2145-8F4 VRM	286
Removing the SAN Volume Controller system board	287
Replacing the SAN Volume Controller system board	302
Removing the redundant ac-power switch	317
Replacing the redundant ac-power switch	319
Removing and replacing 2145 UPS-1U parts	320
Removing and replacing the 2145 UPS-1U power cable-retention bracket	321
Removing the 2145 UPS-1U	322
Replacing the 2145 UPS-1U	326
Removing the support rails for a 2145 UPS-1U	331
Installing the support rails for the 2145 UPS-1U	332
Removing the power cable from the 2145 UPS-1U	335
Removing the 2145 UPS-1U battery	336
Replacing the 2145 UPS-1U battery	338

Appendix. Accessibility 341

Notices 343

Trademarks	345
Electronic emission notices	345
Federal Communications Commission (FCC) statement	345
Industry Canada compliance statement	345
Avis de conformité à la réglementation d'Industrie Canada	346
Australia and New Zealand Class A Statement	346
European Union Electromagnetic Compatibility Directive	346
Germany Electromagnetic compatibility directive	346
Japan VCCI Council Class A statement	347
People's Republic of China Class A Electronic Emission Statement	347
International Electrotechnical Commission (IEC) statement	347
United Kingdom telecommunications requirements	348
Korean Communications Commission (KCC) Class A Statement	348
Taiwan Class A compliance statement	348

European Contact Information 349

Taiwan Contact Information 351

Index 353

Figures

1. Parts diagram for the SAN Volume Controller 2145-CG8 model	2	33. The captive thumbscrews that secure the node and the shipping brackets.	54
2. Exploded view of the SAN Volume Controller 2145-CF8 node	7	34. Removing the SAN Volume Controller 2145-8G4 from the rack	56
3. Exploded view of the SAN Volume Controller 2145-8A4 node	11	35. Installing the 2145-CG8 or 2145-CF8 node in the slide rails of the rack	60
4. Exploded view of the SAN Volume Controller 2145-8G4 node	14	36. Raising the 2145-CG8 or 2145-CF8 locking levers of the slide rails of the rack	61
5. Exploded view of the SAN Volume Controller 2145-8F4 node.	17	37. The captive thumbscrews that secure the node and the shipping brackets.	62
6. Exploded view of the SAN Volume Controller 2145-8F2 node.	19	38. The captive thumbscrews that secure the node and the shipping brackets.	63
7. View of the redundant ac-power switch FRU	21	39. Aligning the SAN Volume Controller 2145-8G4 with the rack slides	63
8. A 2145 UPS-1U powers one SAN Volume Controller node.	22	40. Sliding the SAN Volume Controller 2145-8F4 into the rack	64
9. The cable-management arm, support rails, and associated parts of the 2145-CG8 and 2145-CF8	27	41. Removing the front end of the slide rails	65
10. Release latches and mounting screws of the SAN Volume Controller 2145-CG8 or 2145-CF8.	28	42. Removing the rear end of the slide rails	66
11. Removing the cables from the cable-management arm	28	43. The rail-adjustment bracket and the release tab on the rear rail-locking carrier	67
12. Removing the cable-management arm.	29	44. Removing the latch strike from the front of the slide rail	68
13. Removing the cable-management-support arm	30	45. Removing the right slide rail from the front of the rack.	68
14. Installing the cable-management-support arm	31	46. The left support rail for the SAN Volume Controller	69
15. Installing the cable-management arm	32	47. Opening the rear slide-rail hooks	70
16. Adjusting the location of the cable-management arm	33	48. Installing the rear end of the slide rails	71
17. Connecting and routing the cables	34	49. Preparing the front end of the slide rails	71
18. Cable-retention brackets	35	50. Installing the front end of the slide rails	72
19. SAN Volume Controller 2145-8A4 with the cable-retention bracket installed.	37	51. SAN Volume Controller 2145-8A4 support-rails installation kit.	73
20. SAN Volume Controller 2145-8G4 cable retention bracket - type A.	38	52. A closed rail-locking carrier at the front of the support rail for the SAN Volume Controller 2145-8A4	74
21. SAN Volume Controller 2145-8G4 cable retention bracket - type B.	38	53. An open rail-locking carrier at the rear of the support rail for the SAN Volume Controller 2145-8A4	74
22. The SAN Volume Controller 2145-8G4 with the cable-retention bracket attached.	39	54. Aligning the pins on the left front support rail for the SAN Volume Controller 2145-8A4 with the front mounting flange.	75
23. The SAN Volume Controller 2145-8G4 with cable-retention bracket type B attached	40	55. SAN Volume Controller 2145-8G4 support rails installation kit.	76
24. Cable-retention brackets	41	56. Inserting the right slide rail into the rear rack mounting flange	76
25. Retaining screw on the SAN Volume Controller 2145-8A4 node	42	57. Extending the right slide rail.	77
26. Installing the SAN Volume Controller 2145-8A4 cable retention bracket	43	58. Attaching the latch strike to the front of the slide rail	77
27. SAN Volume Controller 2145-8G4 cable retention bracket - type A.	44	59. Retracting the latch-lock carrier	78
28. SAN Volume Controller 2145-8G4 cable retention bracket - type B.	44	60. Opening the front latch-lock carrier assembly	78
29. The SAN Volume Controller 2145-8G4 before you attach the cable-retention bracket.	45	61. Opening the back latch-lock carrier assembly	79
30. The SAN Volume Controller 2145-8G4 with cable-retention bracket type B attached	46	62. Installing the front end of the rail	79
31. Attaching the cable retention bracket to the SAN Volume Controller 2145-8F4 power cable	47	63. Closing the latch-lock carrier assembly	80
32. Removing the 2145-CG8 or 2145-CF8 from the rack	51	64. Removing the SAN Volume Controller 2145-CG8 or 2145-CF8 cover	82

65. Removing the SAN Volume Controller 2145-8A4 cover	83	91. Locating the SAN Volume Controller 2145-CF8 memory modules	109
66. The SAN Volume Controller 2145-8G4 with fan door open	84	92. Locating the SAN Volume Controller 2145-8A4 memory modules	110
67. SAN Volume Controller 2145-8F2 or SAN Volume Controller 2145-8F4 with fan doors open	85	93. Locating the SAN Volume Controller 2145-8G4 memory modules	110
68. Replacing the SAN Volume Controller 2145-CG8 or 2145-CF8 cover	86	94. Locating the SAN Volume Controller 2145-8F2 or SAN Volume Controller 2145-8F4 memory modules	111
69. SAN Volume Controller 2145-8G4 with the fan door open	87	95. Removing the memory modules	112
70. SAN Volume Controller 2145-8F2 with the access doors open	88	96. Replacing a memory module	113
71. Left release button of a 2145-CG8 or 2145-CF8 service controller.	90	97. SAN Volume Controller 2145-8A4 SATA disk drive	114
72. Service controller for the 2145-CG8 or 2145-CF8 with attached USB cable	90	98. Removing the SATA disk drive.	115
73. SAN Volume Controller 2145-CG8 or 2145-CF8 service controller.	91	99. Boot drive location (SAN Volume Controller 2145-CF8 shown)	117
74. Removing and replacing the USB cable in the SAN Volume Controller 2145-CG8 or 2145-CF8 service controller.	93	100. Drive-bay filler panel and disk-drive handle	118
75. USB service-controller cable connected to the disk controller and USB riser card (SAN Volume Controller 2145-CF8 shown)	94	101. Drive IDs for SAN Volume Controller 2145-CF8	118
76. USB service-controller cable connector on the USB riser card	95	102. Drive bay IDs for the SAN Volume Controller 2145-CG8	119
77. SAN Volume Controller 2145-8A4 service controller release button	96	103. SAN Volume Controller 2145-8A4 SATA disk drive	120
78. SAN Volume Controller 2145-8G4 service controller release button	97	104. Removing the SATA disk drive	121
79. Removing the service controller from the SAN Volume Controller 2145-8G4	97	105. Drive-bay filler panel and disk-drive handle	123
80. SAN Volume Controller 2145-8F2 or SAN Volume Controller 2145-8F4 with fan doors open	98	106. Raising the SAN Volume Controller 2145-CF8 or 2145-CG8 locking levers of the slide rails of the rack	124
81. SAN Volume Controller 2145-8F2 or SAN Volume Controller 2145-8F4 service controller	99	107. Attaching the rails assembly to the SATA disk drive for the SAN Volume Controller 2145-8A4 and the SAN Volume Controller 2145-8G4	125
82. SAN Volume Controller 2145-CG8 or 2145-CF8 service controller (SAN Volume Controller 2145-CF8 shown).	100	108. Service controller with attached USB cable (SAN Volume Controller 2145-CF8 shown).	128
83. Raising the locking levers of the slide rails of the rack	101	109. Solid-state drive (SSD) (SAN Volume Controller 2145-CG8 shown)	128
84. SAN Volume Controller 2145-8A4 service controller	102	110. SAN Volume Controller 2145-CG8 or 2145-CF8 drive and drive-bay filler	130
85. SAN Volume Controller 2145-8G4 service controller	103	111. Boot-disk SAS cable and the high-speed SAS cable connected to the disk backplane in the SAN Volume Controller 2145-CG8 or 2145-CF8	132
86. SAN Volume Controller 2145-8F2 or SAN Volume Controller 2145-8F4 service controller.	104	112. The 2145-CG8 boot-disk backplane	133
87. SAN Volume Controller 2145-8F2 or SAN Volume Controller 2145-8F4 with fan doors open	104	113. The SAN Volume Controller 2145-CF8 disk backplane.	134
88. Power LED on the SAN Volume Controller models 2145-CG8, 2145-CF8, 2145-8A4, 2145-8G4, and 2145-8F4 or 2145-8F2 operator-information panel	106	114. SAN Volume Controller 2145-8A4 SATA cable connectors	135
89. SAN Volume Controller models 2145-CG8, 2145-CF8, 2145-8A4, 2145-8G4, and 2145-8F4 or 2145-8F2 power-control button	107	115. Air deflector for the SAN Volume Controller 2145-8A4 power supply	135
90. Locating the SAN Volume Controller 2145-CG8 memory modules.	108	116. SAN Volume Controller 2145-8A4 power supply connectors	136
		117. The SAN Volume Controller 2145-8G4 disk-drive backplane connectors	137
		118. The SAN Volume Controller 2145-8G4 SATA disk drive and backplane	137
		119. The 2145-CG8 boot-disk backplane	139
		120. The SAN Volume Controller 2145-CF8 disk backplane.	139

121. Boot-disk SAS cable and the high-speed SAS cable connected to the disk backplane in the SAN Volume Controller 2145-CG8 or 2145-CF8	140	147. SATA connectors on the SAN Volume Controller 2145-8A4 system board	164
122. Boot-disk SAS cable routed through the blue bulkhead clip and connected to the SAS disk controller in the SAN Volume Controller 2145-CG8 or 2145-CF8	141	148. Power P5 connector on the SAN Volume Controller 2145-8A4 power supply	165
123. Raising the SAN Volume Controller 2145-CF8 or 2145-CG8 locking levers of the slide rails of the rack	142	149. The retention clip for the SAN Volume Controller 2145-8A4 power-supply cables	165
124. Air deflector for the SAN Volume Controller 2145-8A4 power supply	142	150. The SAN Volume Controller 2145-8A4 power-supply	166
125. SAN Volume Controller 2145-8A4 power supply connectors	143	151. SAN Volume Controller 2145-8G4 power supply	167
126. SAN Volume Controller 2145-8A4 SATA cables	144	152. Removing the SAN Volume Controller 2145-8F2 power supply	168
127. The SAN Volume Controller 2145-8G4 SATA disk drive and backplane	145	153. SAN Volume Controller 2145-CG8 or 2145-CF8 power supply	171
128. The SAN Volume Controller 2145-8G4 disk-drive backplane connectors	145	154. SAN Volume Controller 2145-CG8 or 2145-CF8 ac, dc, and power-error LEDs	172
129. Location of the SAN Volume Controller 2145-CG8 or 2145-CF8 CMOS battery holder	147	155. Air deflector for the SAN Volume Controller 2145-8A4 power supply	173
130. SAN Volume Controller 2145-CG8 or 2145-CF8 CMOS battery holder	148	156. SATA connectors on the SAN Volume Controller 2145-8A4 system board	173
131. Locating the SAN Volume Controller 2145-8A4 CMOS battery	149	157. The retention clip for the SAN Volume Controller 2145-8A4 power-supply cables	174
132. Removing the SAN Volume Controller 2145-8A4 CMOS battery	149	158. SAN Volume Controller 2145-8G4 power supply	175
133. Location of the SAN Volume Controller 2145-8G4 CMOS battery holder	150	159. SAN Volume Controller 2145-8G4 ac and dc LEDs	176
134. SAN Volume Controller 2145-8G4 CMOS battery holder	151	160. SAN Volume Controller 2145-8F2 power supply	177
135. Location of the CMOS battery on the SAN Volume Controller 2145-8F2 or the SAN Volume Controller 2145-8F4.	152	161. SAN Volume Controller 2145-8F2 or SAN Volume Controller 2145-8F4 ac and dc power LEDs	178
136. SAN Volume Controller 2145-8F2 or the SAN Volume Controller 2145-8F4 CMOS battery holder	152	162. SAN Volume Controller 2145-8G4 power backplane.	179
137. Location of the SAN Volume Controller 2145-CG8 or 2145-CF8 CMOS battery holder	154	163. SAN Volume Controller 2145-8F4 or SAN Volume Controller 2145-8F2 power backplane.	180
138. SAN Volume Controller 2145-CG8 or 2145-CF8 CMOS battery holder	154	164. SAN Volume Controller 2145-8G4 power backplane.	181
139. Raising the SAN Volume Controller 2145-CF8 or 2145-CG8 locking levers of the slide rails of the rack	155	165. Replacing the SAN Volume Controller 2145-8F4 or SAN Volume Controller 2145-8F2 power backplane	182
140. Locating the SAN Volume Controller 2145-8A4 CMOS battery	156	166. SFP transceiver	185
141. Installing the SAN Volume Controller 2145-8A4 CMOS battery	156	167. Connectors on the rear of the SAN Volume Controller 2145-CG8 or 2145-CF8	186
142. Location of the SAN Volume Controller 2145-8G4 CMOS battery holder	158	168. The SAN Volume Controller 2145-CG8 or 2145-CF8 Fibre Channel adapter	187
143. SAN Volume Controller 2145-8G4 CMOS battery holder	158	169. Removing the Fibre Channel riser-card assembly for the SAN Volume Controller 2145-CG8 or 2145-CF8	188
144. Location of the CMOS battery on the SAN Volume Controller 2145-8F2 or the SAN Volume Controller 2145-8F4.	159	170. SAN Volume Controller 2145-8A4 riser-card assembly	189
145. CMOS battery socket	160	171. SFP transceiver	189
146. SAN Volume Controller 2145-CG8 or 2145-CF8 power supply	163	172. The physical port numbers for the SAN Volume Controller 2145-8G4	190
		173. Removing the riser-card assembly from the SAN Volume Controller 2145-8G4.	190
		174. Rear view of the SAN Volume Controller 2145-8F2 with Fibre Channel ports indicated	191
		175. Rear view of the SAN Volume Controller 2145-8F4	191

176. SAN Volume Controller 2145-8F2 or SAN Volume Controller 2145-8F4 PCI slot 1 card retainer	192	199. High-speed SAS adapter assembly and high-speed SAS cable in the SAN Volume Controller 2145-CG8 or 2145-CF8	215
177. SAN Volume Controller 2145-8F2 riser card and low profile adapter	192	200. Boot-disk SAS cable and the high-speed SAS cable connected to the disk backplane in the SAN Volume Controller 2145-CG8 or 2145-CF8	216
178. SAN Volume Controller 2145-8F2 or SAN Volume Controller 2145-8F4 slot 2 adapter	193	201. Boot-disk SAS cable routed through the blue bulkhead clip and connected to the SAS disk controller in the SAN Volume Controller 2145-CG8 or 2145-CF8	217
179. Replacing the Fibre Channel riser-card assembly for the SAN Volume Controller 2145-CG8 or 2145-CF8	194	202. USB riser-card assembly (SAN Volume Controller 2145-CF8 shown).	219
180. The SAN Volume Controller 2145-CG8 or 2145-CF8 Fibre Channel adapter	195	203. Disengaging the disk-controller front-retention bracket and removing the riser assembly and disk controller	219
181. SAN Volume Controller 2145-8A4 riser-card assembly	196	204. Engaging the disk-controller front-retention bracket and replacing the riser assembly and disk controller	221
182. Replacing the riser-card assembly for the SAN Volume Controller 2145-8G4.	197	205. USB riser-card assembly (SAN Volume Controller 2145-CF8 shown).	222
183. SAN Volume Controller 2145-8F2 or SAN Volume Controller 2145-8F4 PCI slot 1 card retainer	197	206. USB service-controller cable connected to the disk controller and USB riser card (SAN Volume Controller 2145-CF8 shown).	223
184. Connectors on the rear of the SAN Volume Controller 2145-CG8	199	207. Boot-disk SAS cable and the high-speed SAS cable connected to the disk backplane in the SAN Volume Controller 2145-CG8 or 2145-CF8	224
185. SFP transceiver	200	208. Boot-disk SAS cable routed through the blue bulkhead clip and connected to the SAS disk controller in the SAN Volume Controller 2145-CG8 or 2145-CF8	225
186. Connectors on the rear of the SAN Volume Controller 2145-CG8	201	209. Using the release tab to remove the SAN Volume Controller 2145-CG8 or 2145-CF8 operator-information panel	228
187. SAN Volume Controller 2145-CG8 10 Gbps Ethernet riser-card assembly with cutaway view of back rail	202	210. SAN Volume Controller 2145-8A4 operator-information panel	229
188. Removing the 10 Gbps Ethernet riser-card assembly	203	211. SAN Volume Controller 2145-8G4 dummy CD/DVD drive	230
189. Connectors on the rear of the SAN Volume Controller 2145-CG8	204	212. Removing the CD interposer card.	230
190. Replacing the 10 Gbps Ethernet riser-card assembly for the SAN Volume Controller 2145-CG8	205	213. SAN Volume Controller 2145-8G4 fan 3	231
191. SAN Volume Controller 2145-CG8 10 Gbps Ethernet riser-card assembly with cutaway view of back rail	206	214. SAN Volume Controller 2145-8G4 air baffle	232
192. High-speed SAS adapter assembly mounted in the back rail of the SAN Volume Controller 2145-CG8 or 2145-CF8	208	215. SAN Volume Controller 2145-8G4 video, USB, and the CD/DVD cables.	233
193. Removing the high-speed SAS riser-card assembly for the SAN Volume Controller 2145-CG8 or 2145-CF8	208	216. SAN Volume Controller 2145-8G4 operator-information panel	234
194. Replacing the high-speed SAS riser-card assembly for the SAN Volume Controller 2145-CG8 or 2145-CF8	210	217. Removing the SAN Volume Controller 2145-8G4 operator-information panel.	234
195. High-speed SAS adapter assembly mounted in the back rail of the SAN Volume Controller 2145-CG8 or 2145-CF8	210	218. SAN Volume Controller 2145-8F4 operator-information panel	235
196. High-speed SAS adapter assembly and high-speed SAS cable in the SAN Volume Controller 2145-CG8 or 2145-CF8	212	219. SAN Volume Controller 2145-8F2 with exposed operator-information panel	235
197. Boot-disk SAS cable routed through the blue bulkhead clip and connected to the SAS disk controller in the SAN Volume Controller 2145-CG8 or 2145-CF8	213	220. Replacing the SAN Volume Controller 2145-CG8 or 2145-CF8 operator-information panel	237
198. Boot-disk SAS cable and the high-speed SAS cable connected to the disk backplane in the SAN Volume Controller 2145-CG8 or 2145-CF8	214	221. Connecting the SAN Volume Controller 2145-CG8 or 2145-CF8 operator-information panel cable	237
		222. Raising the SAN Volume Controller 2145-CF8 or 2145-CG8 locking levers of the slide rails of the rack	238

223. SAN Volume Controller 2145-8A4 operator-information panel	239	250. Aligning the microprocessor installation tool	267
224. SAN Volume Controller 2145-8G4 operator-information panel	240	251. Lifting the microprocessor out of the microprocessor bracket frame	267
225. SAN Volume Controller 2145-8G4 video, USB, and the CD/DVD cables	240	252. SAN Volume Controller 2145-8A4 air baffle and heat-exchanger assembly	268
226. SAN Volume Controller 2145-8G4 air baffle	241	253. The SAN Volume Controller 2145-8A4 microprocessor bracket frame fully opened	269
227. SAN Volume Controller 2145-8G4 fan 3	242	254. Removing the heat sink from the microprocessor	270
228. SAN Volume Controller 2145-8G4 dummy CD/DVD drive	242	255. The microprocessor release lever and bracket frame fully opened.	271
229. Replacing the operator-information panel	243	256. Location of the microprocessor and VRM sockets.	271
230. Disconnecting the SAN Volume Controller 2145-CG8 or 2145-CF8 operator-information panel cable	245	257. Opening the SAN Volume Controller 2145-CG8 or 2145-CF8 microprocessor-bracket frame	274
231. SAN Volume Controller 2145-8A4 operator-information panel	246	258. Removing the plastic protective cover from a microprocessor	274
232. Connectors for the operator-information panel on the SAN Volume Controller 2145-8A4 system board	247	259. Inserting the microprocessor into the socket	275
233. Connecting the SAN Volume Controller 2145-CG8 or 2145-CF8 operator-information panel cable	249	260. Closing the SAN Volume Controller 2145-CG8 or 2145-CF8 microprocessor-bracket frame	276
234. Raising the SAN Volume Controller 2145-CF8 or 2145-CG8 locking levers of the slide rails of the rack	250	261. Applying thermal grease to the SAN Volume Controller 2145-CG8 or 2145-CF8 microprocessor	276
235. Connectors for the operator-information panel on the SAN Volume Controller 2145-8A4 system board	250	262. Installing the heat sink on the SAN Volume Controller 2145-CG8 or 2145-CF8 microprocessor	277
236. SAN Volume Controller 2145-CG8 or 2145-CF8 fan locations and connectors	252	263. Raising the SAN Volume Controller 2145-CF8 or 2145-CG8 locking levers of the slide rails of the rack	278
237. Removing or replacing a fan in the SAN Volume Controller 2145-CG8 or 2145-CF8 node	253	264. SAN Volume Controller 2145-8A4 microprocessor	279
238. Connectors for the SAN Volume Controller 2145-8A4 heat exchange fans	254	265. Complete set of nine thermal grease dots on the SAN Volume Controller 2145-8A4 microprocessor	280
239. SAN Volume Controller 2145-8G4 fan doors, locations, and connectors	255	266. Alignment pins on the SAN Volume Controller 2145-8A4 heat-exchanger assembly	280
240. SAN Volume Controller 2145-8F2 with the access doors open	256	267. Aligning the microprocessor with the socket	282
241. SAN Volume Controller 2145-8F2 fan locations	256	268. Installing the heat sink	282
242. SAN Volume Controller 2145-CG8 or 2145-CF8 fan locations and connectors	258	269. Microprocessor locking lever in open position	284
243. Removing or replacing a fan in the SAN Volume Controller 2145-CG8 or 2145-CF8 node	259	270. Microprocessor and heat sink locations	285
244. Raising the SAN Volume Controller 2145-CF8 or 2145-CG8 locking levers of the slide rails of the rack	259	271. Location of the microprocessor and VRM sockets.	286
245. A close up of the SAN Volume Controller 2145-8A4 fan.	260	272. Removing and replacing the SAN Volume Controller 2145-CG8 or 2145-CF8 system board	289
246. Routing the SAN Volume Controller 2145-8A4 fan cable	261	273. Connectors that are used on the SAN Volume Controller 2145-8A4 system board	291
247. SAN Volume Controller 2145-8G4 fan doors, locations, and connectors	262	274. SAN Volume Controller 2145-8A4 SATA cable connectors	292
248. Removing the heat sink from the SAN Volume Controller 2145-CG8 or 2145-CF8 microprocessor	265	275. SAN Volume Controller 2145-8A4 power supply connectors	292
249. Opening the SAN Volume Controller 2145-CG8 or 2145-CF8 microprocessor-bracket frame	266	276. The IDE connector on the SAN Volume Controller 2145-8A4 system board	293
		277. Connectors for the SAN Volume Controller 2145-8A4 heat exchange fans	294
		278. SAN Volume Controller 2145-8A4 system board and microprocessor retention module	295
		279. Connectors on the SAN Volume Controller 2145-8G4 system board	297

280. Left air baffle on the SAN Volume Controller 2145-8G4	297	302. Attaching the mounting plates	319
281. Connectors on the right front side of the SAN Volume Controller 2145-8G4 system board	298	303. Power cable clips	320
282. Disk power cable connector and power backplane on the SAN Volume Controller 2145-8G4 system board	299	304. 2145 UPS-1U power cable-retention bracket hardware	321
283. Right air baffle on the SAN Volume Controller 2145-8G4 system board	299	305. 2145 UPS-1U power cable-retention bracket	321
284. Removing thermal grease from the SAN Volume Controller 2145-8G4 microprocessor	300	306. 2145 UPS-1U power cable-retention bracket	322
285. Serial and video ports on the SAN Volume Controller 2145-8G4	301	307. The 2145 UPS-1U front-panel assembly	323
286. The placement of the screws that secure the SAN Volume Controller 2145-8G4 system board	301	308. 2145 UPS-1U (rear view)	324
287. SAN Volume Controller 2145-8G4 system board	302	309. Removing the 2145 UPS-1U front panel	324
288. Setting jumpers on the system board	304	310. The 2145 UPS-1U internal-battery connector	325
289. Removing and replacing the SAN Volume Controller 2145-CG8 or 2145-CF8 system board	305	311. The 2145 UPS-1U internal battery connector with protective tape	325
290. Raising the SAN Volume Controller 2145-CF8 or 2145-CG8 locking levers of the slide rails of the rack	306	312. Mounting screws for the 2145 UPS-1U	326
291. The SAN Volume Controller 2145-8A4 microprocessor bracket frame fully opened	307	313. Installing the UPS mounting brackets for the 2145 UPS-1U	327
292. SAN Volume Controller 2145-8G4 system board	310	314. Mounting screws for the 2145 UPS-1U	328
293. The placement of the screws that secure the SAN Volume Controller 2145-8G4 system board	311	315. Removing the 2145 UPS-1U front panel	328
294. Serial and video ports on the SAN Volume Controller 2145-8G4	311	316. The 2145 UPS-1U internal battery connector with protective tape	329
295. Installing the microprocessor	312	317. The 2145 UPS-1U with internal battery connectors in place.	329
296. Estimating the position of the thermal grease dots.	313	318. The 2145 UPS-1U cable retention bracket connected to the 2145 UPS-1U	330
297. Complete set of nine thermal grease dots on the microprocessor.	313	319. 2145 UPS-1U (rear view)	330
298. Right air baffle on the SAN Volume Controller 2145-8G4 system board	314	320. 2145 UPS-1U front-panel assembly	330
299. Connectors on the right front side of the SAN Volume Controller 2145-8G4 system board	315	321. Removing the front screws from the 2145 UPS-1U	331
300. Left air baffle on the SAN Volume Controller 2145-8G4	316	322. Removing the front rail on the 2145 UPS-1U	331
301. Connectors on the SAN Volume Controller 2145-8G4 system board	316	323. Removing the rear rail on the 2145 UPS-1U	332
		324. Installing the 2145 UPS-1U mounting brackets for the 2145 UPS-1U	333
		325. Adjusting the rail depth on the 2145 UPS-1U	333
		326. Attaching the rear of the 2145 UPS-1U rail to the rack	334
		327. Attaching the front of the 2145 UPS-1U rail to the rack.	334
		328. Front and back panels for the 2145 UPS-1U	335
		329. Removing the 2145 UPS-1U front panel	337
		330. The 2145 UPS-1U internal battery connector with protective tape	337
		331. Removing the 2145 UPS-1U battery	338
		332. Replacing the 2145 UPS-1U battery	339
		333. The 2145 UPS-1U internal-battery connector	339
		334. Replacing the 2145 UPS-1U front panel	340

Tables

1. SAN Volume Controller library	xxv	15. FRU part numbers that are unique for the SAN Volume Controller 2145-8G4 Rev 1 version	15
2. Other IBM publications	xxvi	16. FRU part numbers that are unique for the SAN Volume Controller 2145-8G4 Rev 2 version	15
3. IBM documentation and related websites	xxvii	17. FRUs in the SAN Volume Controller 2145-8G4 parts assembly	15
4. FRUs in the SAN Volume Controller 2145-CG8 parts assembly	3	18. FRUs that are not referenced by SAN Volume Controller 2145-8G4 service procedures	16
5. FRUs to which SAN Volume Controller 2145-CG8 service procedures do not refer	5	19. SAN Volume Controller 2145-8F4 frame assembly	17
6. FRU parts for the solid-state drive (SSD) features	5	20. Items not included in the SAN Volume Controller 2145-8F4 frame assembly	18
7. FRU parts for the long-wave small form-factor pluggable (SFP) transceiver feature	6	21. SAN Volume Controller 2145-8F2 frame assembly	19
8. FRUs in the SAN Volume Controller 2145-CF8 parts assembly	8	22. Items not included in the SAN Volume Controller 2145-8F2 frame assembly	20
9. FRUs to which SAN Volume Controller 2145-CF8 service procedures do not refer.	10	23. Redundant ac-power switch	21
10. FRU parts for the solid-state drive (SSD) features	10	24. 2145 UPS-1U part numbers	22
11. FRU parts for the long-wave small form-factor pluggable (SFP) transceiver feature.	10	25. Cable-management arm and associated parts descriptions and quantities	27
12. FRUs that are exchanged within SAN Volume Controller 2145-8A4 service procedures	12	26. Instructions for removing the SFP transceiver	184
13. FRUs that are not exchanged within SAN Volume Controller 2145-8A4 service procedures	13		
14. Distinctive characteristics of the SAN Volume Controller 2145-8G4 versions.	14		

Safety and environmental notices

Review the multilingual safety notices for the IBM® Systems Storage SAN Volume Controller, redundant ac-power switch, and the uninterruptible power supply before you install and use the product.

Suitability for telecommunication environment: This product is not intended to connect directly or indirectly by any means whatsoever to interfaces of public telecommunications networks.

To find the translated text for a caution or danger notice:

1. Look for the identification number at the end of each caution notice or each danger notice. In the following examples, the numbers (C001) and (D002) are the identification numbers.

CAUTION:

A caution notice indicates the presence of a hazard that has the potential of causing moderate or minor personal injury. (C001)

DANGER

<p>A danger notice indicates the presence of a hazard that has the potential of causing death or serious personal injury. (D002)</p>

2. Locate *IBM System Storage SAN Volume Controller Safety Notices* with the user publications that were provided with the SAN Volume Controller hardware.
3. Find the matching identification number in the *IBM System Storage SAN Volume Controller Safety Notices*. Then review the topics concerning the safety notices to ensure that you are in compliance.
4. Optionally, read the multilingual safety instructions on the SAN Volume Controller website. Go to the www.ibm.com/storage/support/2145 and click the documentation link.

General safety

When you service the SAN Volume Controller, redundant ac-power switch, or the uninterruptible power supply, follow general safety guidelines.

Use the following general rules to ensure safety to yourself and others:

- Observe good housekeeping in the area where the devices are kept during and after maintenance.
- Follow the guidelines when lifting any heavy object:
 1. Ensure that you can stand safely without slipping.
 2. Distribute the weight of the object equally between your feet.
 3. Use a slow lifting force. Never move suddenly or twist when you attempt to lift.
 4. Lift by standing or by pushing up with your leg muscles; this action removes the strain from the muscles in your back. *Do not attempt to lift any objects that weigh more than 18 kg (40 lb) or objects that you think are too heavy for you.*
- Do not perform any action that causes a hazard to the customer, or that makes the equipment unsafe.
- Before you start the device, ensure that other service representatives and customer's personnel are not in a hazardous position.
- Place removed covers and other parts in a safe place, away from all personnel, while you are servicing the unit.
- Keep your tool case away from walk areas so that other people will not trip over it.
- Do not wear loose clothing that can be trapped in the moving parts of a device. Ensure that your sleeves are fastened or rolled up above your elbows. If your hair is long, fasten it.

- Insert the ends of your necktie or scarf inside clothing or fasten it with a nonconducting clip, approximately 8 cm (3 in.) from the end.
- Do not wear jewelry, chains, metal-frame eyeglasses, or metal fasteners for your clothing.

Remember: Metal objects are good electrical conductors.

- Wear safety glasses when you are: hammering, drilling, soldering, cutting wire, attaching springs, using solvents, or working in any other conditions that might be hazardous to your eyes.
- After service, reinstall all safety shields, guards, labels, and ground wires. Replace any safety device that is worn or defective.
- Reinstall all covers correctly after you have finished servicing the unit.

Electrical safety

Observe these rules when working on electrical equipment.

DANGER

When working on or around the system, observe the following precautions:

Electrical voltage and current from power, telephone, and communication cables are hazardous. To avoid a shock hazard:

- Connect power to this unit only with the IBM provided power cord. Do not use the IBM provided power cord for any other product.
- Do not open or service any power supply assembly.
- Do not connect or disconnect any cables or perform installation, maintenance, or reconfiguration of this product during an electrical storm.
- The product might be equipped with multiple power cords. To remove all hazardous voltages, disconnect all power cords.
- Connect all power cords to a properly wired and grounded electrical outlet. Ensure that the outlet supplies proper voltage and phase rotation according to the system rating plate.
- Connect any equipment that will be attached to this product to properly wired outlets.
- When possible, use one hand only to connect or disconnect signal cables.
- Never turn on any equipment when there is evidence of fire, water, or structural damage.
- Disconnect the attached power cords, telecommunications systems, networks, and modems before you open the device covers, unless instructed otherwise in the installation and configuration procedures.
- Connect and disconnect cables as described in the following procedures when installing, moving, or opening covers on this product or attached devices.

To disconnect:

1. Turn off everything (unless instructed otherwise).
2. Remove the power cords from the outlets.
3. Remove the signal cables from the connectors.
4. Remove all cables from the devices.

To connect:

1. Turn off everything (unless instructed otherwise).
 2. Attach all cables to the devices.
 3. Attach the signal cables to the connectors.
 4. Attach the power cords to the outlets.
 5. Turn on the devices.
- Sharp edges, corners and joints may be present in and around the system. Use care when handling equipment to avoid cuts, scrapes and pinching.

(D005)

Important: Use only approved tools and test equipment. Some hand tools have handles covered with a soft material that does not insulate you when working with live electrical currents. Many customers have, near their equipment, rubber floor mats that contain small conductive fibers to decrease electrostatic discharges. Do not use this type of mat to protect yourself from electrical shock.

- Find the room emergency power-off (EPO) switch, disconnecting switch, or electrical outlet. If an electrical accident occurs, you can then operate the switch or unplug the power cord quickly.
- Do not work alone under hazardous conditions or near equipment that has hazardous voltages.

- Disconnect all power before the following activities:
 - Performing a mechanical inspection
 - Working near power supplies
 - Removing or installing main units
- Before you start to work on the unit, unplug the power cord. If you cannot unplug it, ask the customer to power off the wall box that supplies power to the device and to lock the wall box in the off position.
- If you need to work on a device that has exposed electrical circuits, observe the following precautions:
 - Ensure that another person, familiar with the power-off controls, is near you.

Remember: Another person must be there to switch off the power, if necessary.

- Use only one hand when working with electrical equipment that has the power turned on; keep the other hand in your pocket or behind your back.

Remember: There must be a complete circuit to cause electrical shock. By observing the previous rule, you might prevent a current from passing through your body.

- When using testers, set the controls correctly and use the approved probe leads and accessories for that tester.
- Stand on suitable rubber mats (obtained locally, if necessary) to insulate you from grounds such as metal floor strips and machine frames.

Observe the special safety precautions when you work with very high voltages; these instructions are in the safety sections of maintenance information. Use extreme care when measuring high voltages.

- Regularly inspect and maintain your electrical hand tools for safe operational condition.
- Do not use worn or broken tools and testers.
- *Never assume* that power has been disconnected from a circuit. First, *check* that power has been powered off.
- Always look carefully for possible hazards in your work area. Examples of these hazards are moist floors, nongrounded power extension cables, power surges, and missing safety grounds.
- Do not touch live electrical circuits with the reflective surface of a plastic dental mirror. The surface is conductive; such touching can cause personal injury and device damage.
- Do not service the following parts with the power on when they are removed from their normal operating places in a device. (This practice ensures correct grounding of the units.)
 - Power supply units
 - Pumps
 - Blowers and fans
 - Motor generators
 - And similar units
- If an electrical accident occurs:
 - Use caution; do not become a victim yourself.
 - Switch off power.
 - Send another person to get medical aid.

Inspecting the SAN Volume Controller for unsafe conditions

Use caution when working in any potential safety hazardous situation that is not covered in the safety checks. If unsafe conditions are present, determine how serious the hazards are and whether you can continue before you correct the problem.

Before you begin

Before you start the safety inspection, make sure that the power is off, and that the power cord is disconnected.

About this task

Each device has required safety items installed to protect users and IBM service personnel from injury. This guide addresses only those items.

Important: Good judgment must also be used to identify potential safety hazards due to the attachment of non-IBM features or options not covered by this inspection guide.

If any unsafe conditions are present, you must determine how serious the apparent hazard could be and whether you can continue without first correcting the problem. For example, consider the following conditions and their potential safety hazards:

Electrical hazards (especially primary power)

Primary voltage on the frame can cause serious or lethal electrical shock.

Explosive hazards

A damaged CRT face or a bulging capacitor can cause serious injury.

Mechanical hazards

Loose or missing items (for example, nuts and screws) can cause serious injury.

To inspect each SAN Volume Controller node for unsafe conditions, perform the following steps. If necessary, see any suitable safety publications.

Procedure

1. Turn off SAN Volume Controller and disconnect the power cord.
2. Check the frame for damage (loose, broken, or sharp edges).
3. Check the power cables using the following steps:
 - a. Ensure that the third-wire ground connector is in good condition. Use a meter to check that the third-wire ground continuity is 0.1 ohm or less between the external ground pin and the frame ground.
 - b. Ensure that the power cord is the appropriate type, as specified in the parts listings.
 - c. Ensure that the insulation is not worn or damaged.
4. Check for any obvious nonstandard changes, both inside and outside the unit. Use good judgment about the safety of any such changes.
5. Check inside SAN Volume Controller for any obvious unsafe conditions, such as metal particles, contamination, water or other fluids, or marks of overheating, fire, or smoke damage.
6. Check for worn, damaged, or pinched cables.
7. Ensure that the voltage that is specified on the product-information label matches the specified voltage of the electrical power outlet. If necessary, verify the voltage.
8. Inspect the power-supply assemblies and check that the fasteners (screws or rivets) in the cover of the power-supply unit have not been removed or disturbed.
9. Before connecting SAN Volume Controller to the storage area network (SAN), check the grounding.

External device check

Ensure that you perform an external device check before you install or service the SAN Volume Controller.

About this task

To conduct an external device check, perform the following steps:

Procedure

1. Verify that all external covers are present and are not damaged.
2. Ensure that all latches and hinges are in the correct operating condition.
3. If SAN Volume Controller is not installed in a rack cabinet, check for loose or broken feet.
4. Check the power cord for damage.
5. Check the external signal cable for damage.
6. Check the cover for sharp edges, damage, or alterations that expose the internal parts of the device.
7. Check the bottom of the external cover for any loose or broken feet.
8. Correct any problems that you find.

Internal device checks

Ensure that you perform an internal device check before you install or service SAN Volume Controller.

About this task

To conduct the internal device check, perform the following steps:

Procedure

1. Check for any non-IBM changes that might have been made to the device. If any are present, obtain the "Non-IBM Alteration Attachment Survey," form number R009, from the IBM branch office. Complete the form and return it to the branch office.
2. Check the condition of the inside of the device for any metal or other contaminants, or any indications of water, other fluid, fire, or smoke damage.
3. Check for any obvious mechanical problems, such as loose components.
4. Check any exposed cables and connectors for wear, cracks, or pinching.

Checking the grounding of SAN Volume Controller, the uninterruptible power supply, and the redundant ac-power switch

Ensure that you understand how to check the grounding of a SAN Volume Controller, the uninterruptible power supply, and the optional redundant ac-power switch feature.

About this task

To test the grounding of a SAN Volume Controller node, perform the following steps. Follow the steps for the SAN Volume Controller configuration that you are using. Before you start, confirm that you know the SAN Volume Controller model type, the uninterruptible power-supply type, and whether you are using redundant ac power. Determine the location of the signal cables that are attached to the SAN Volume Controller.

When you are asked to test the grounding continuity, use your local procedures to perform the test. The test is successful if the measured resistance is 0.1 ohm or less.

Attention: Some electrical circuits can be damaged if the external signal cables are present at the SAN Volume Controller while it is undergoing a grounding test.

Procedure

1. Ensure that the SAN Volume Controller node is powered off. See MAP 5350: Powering off a SAN Volume Controller node in the *IBM System Storage SAN Volume Controller Troubleshooting Guide*.
2. If the uninterruptible power supply is a 2145 UPS, ensure that other SAN Volume Controller nodes that are powered from the uninterruptible power supply are powered off.
3. Use the power button to power off the uninterruptible power supply.
4. Disconnect all signal cables from the SAN Volume Controller node, which includes the following cables:
 - The Fibre Channel cables
 - The Ethernet cable or cables
 - The serial cable that is connected to the uninterruptible power supply
5. Disconnect all signal cables from the uninterruptible power supply. If the uninterruptible power supply is a 2145 UPS, there might be multiple signal cables.
6. If the uninterruptible power supply is a 2145 UPS, disconnect any power cables that are connected to SAN Volume Controller nodes, except the one that is being tested.
7. If redundant ac power is not used, disconnect the uninterruptible power-supply power cable from the site power-distribution unit.
8. If redundant ac power is used, turn off any SAN Volume Controller that is being supplied from the redundant ac-power switch, and remove the power cable to this system from the redundant ac-power switch.
9. If redundant ac power is used, disconnect *both* input power leads from the site power distribution units.
10. If redundant ac power is not used, test the grounding continuity between a conductive area on the SAN Volume Controller frame and the ground pin on the plug of the uninterruptible power-supply input-power cable.
11. If redundant ac power is used, test the grounding continuity between a conductive area on the SAN Volume Controller frame and the ground pin on the plug of the main power cable of the redundant ac-power switch. If the test is successful, test the grounding continuity between a conductive area on the SAN Volume Controller frame and the ground pin on the plug of the backup power cable of the redundant ac-power switch. Both tests must be successful.
12. After you have completed testing the grounding continuity, perform one of the following procedures, depending on the outcome of the test.
 - If the test is successful, reconnect any cables that were removed, and power on any uninterruptible power-supply units and SAN Volume Controller nodes that were powered off.
 - If the test was not successful, ensure that all cables are securely connected. If the test still fails, test the individual system components. Before you test the individual components, remove all cables from the components. If any component test fails, replace the component. After each component has been tested and the failing ones have been replaced, repeat the complete system test by returning to step 1.Test the components in the following order:
 - a. The SAN Volume Controller node, from the frame to the ground pin of the input power receptacle
 - b. The uninterruptible power supply from the ground pin of the input power receptacle to the ground conductor of the output power receptacle
 - c. If used, the redundant ac-power switch from the ground pin of the main input power receptacle to the ground conductor of the output power receptacle, and from the ground pin of the backup input power receptacle to the ground conductor of the output power receptacle
 - d. The SAN Volume Controller node to uninterruptible power-supply power-cable assembly, between the two ground conductors of the power cable

- e. The uninterruptible power-supply input-power cable, between the two ground conductors of the power cable
- f. If used, the redundant ac-power switch main input-power cable, between the two ground conductors of the cable
- g. If used, the redundant ac-power switch backup input-power cable, between the two ground conductors of the cable

Inspecting the uninterruptible power supply for unsafe conditions

Ensure that you take the time to inspect the uninterruptible power supply for unsafe conditions.

Before you begin

Consider the following conditions and their potential safety hazards:

Electrical hazards (especially primary power)

Primary voltage on the frame can cause serious or lethal electrical shock.

Explosive hazards

A bulging capacitor can cause serious injury.

Mechanical hazards

Loose or missing items (for example, nuts and screws) can cause serious injury.

About this task

Use caution when working in a potential safety hazard that is not covered in the safety checks. If unsafe conditions are present, determine how serious the hazards are and whether you can continue before you correct the problem.

Using the following inspection checklist as a guide, inspect the uninterruptible power supply for unsafe conditions. If necessary, see any suitable safety publications.

Procedure

1. If any equipment has been damaged during the shipment, keep the shipping cartons and packing materials.
2. To file a claim for the shipping damage, perform the following steps:
 - a. File with the carrier within fifteen days of receipt of the equipment.
 - b. Send a copy of the damage claim within fifteen days to your service support representative.

Uninterruptible power-supply requirements

Ensure that you comply with the requirements for the uninterruptible power supply.

The following list describes requirements for the 2145 UPS-1U:

- The voltage that is supplied to the 2145 UPS-1U must be 200-240 V single phase.
- The frequency that is supplied must be 50 or 60 Hz.

Note: The 2145 UPS-1U has an integrated circuit breaker and does not need external protection.

Attention:

- If the uninterruptible power supply is cascaded from another uninterruptible power supply, the source uninterruptible power supply must have at least three times the capacity per phase and the total harmonic distortion must be less than 5%.
- The uninterruptible power supply also must have input voltage capture that has a slew rate of no more than 3 Hz per second.

Emergency power-off shutdown

The SAN Volume Controller and each uninterruptible power supply support emergency power-off (EPO) shutdowns.

Handling static-sensitive devices

Ensure that you understand how to handle devices that are sensitive to static electricity.

Attention: Static electricity can damage electronic devices and your system. To avoid damage, keep static-sensitive devices in their static-protective bags until you are ready to install them.

To reduce the possibility of electrostatic discharge, observe the following precautions:

- Limit your movement. Movement can cause static electricity to build up around you.
- Handle the device carefully, holding it by its edges or frame.
- Do not touch solder joints, pins, or exposed printed circuitry.
- Do not leave the device where others can handle and possibly damage the device.
- While the device is still in its antistatic bag, touch it to an unpainted metal part of the system unit for at least two seconds. (This action removes static electricity from the package and from your body.)
- Remove the device from its package and install it directly into your SAN Volume Controller, without putting it down. If it is necessary to put the device down, place it onto its static-protective bag. (If your device is an adapter, place it component-side up.) Do not place the device onto the cover of the SAN Volume Controller or onto a metal table.
- Take additional care when you handle devices during cold weather because heating reduces indoor humidity and increases static electricity.

Environmental notices and statements

You must become familiar with the environmental notices and statements.

The following topics describe the environmental notices and statements that are applicable to this product.

Product recycling and disposal

Ensure that you are aware of the materials that must be recycled. Before using this information and the product that it supports, read the *IBM Environmental Notices and User Guide* on the IBM Environmental Notices CD.

About this guide

This guide describes how to service the IBM System Storage[®] SAN Volume Controller.

The chapter that follows shows you the parts assembly for each SAN Volume Controller model, the redundant ac-power switch, and the uninterruptible power supply.

You are also provided with step-by-step procedures to remove and replace parts for the SAN Volume Controller and the uninterruptible power supply.

Note: The *IBM System Storage SAN Volume Controller Hardware Maintenance Guide* and the *IBM System Storage SAN Volume Controller Troubleshooting Guide* were formerly combined in one book that was titled *IBM System Storage SAN Volume Controller Service Guide*.

Who should use this guide

This guide is intended for the systems services representative who is responsible for the service of the SAN Volume Controller, the redundant ac-power switch, and the uninterruptible power supply.

Summary of changes

This summary of changes provides a list of changed information for GC27-2283-01, the SAN Volume Controller Hardware Maintenance Guide since the last version of the guide.

Technical changes or additions to the text and illustrations are indicated by a vertical line to the left of the change. This summary of changes describes new functions that have been added to this release.

Changed information

This document contains edits to part number tables for consistency. SAN Volume Controller 2145-CF8 and SAN Volume Controller 2145-CG8 parts are now both divided into four functionally equivalent parts tables.

Summary of changes for GC27-2283-00, SAN Volume Controller Hardware Maintenance Guide

This summary of changes provides a list of new, modified, and changed information since the last version of the guide.

New information

This version includes the following new information:

- SAN Volume Controller 2145-CG8
- iSCSI 10 Gbps Ethernet support

Technical changes or additions to the text and illustrations are indicated by a vertical line to the left of the change. This summary of changes describes new functions that have been added to this release.

Changed information

The following updates were made in this document:

- The use of `svctask` and `svcinfo` command prefixes has changed.

The **svctask** and **svcinfo** command prefixes are no longer necessary when issuing a command. If you have existing scripts that use those prefixes, they will continue to function. You do not need to change the scripts.

This document also contains maintenance and editorial changes.

Removed information

The following information was removed from this book:

- Support for the SAN Volume Controller 2145-4F2 node.

Emphasis

Different typefaces are used in this guide to show emphasis.

The following typefaces are used to show emphasis:

Boldface	Text in boldface represents menu items.
Bold monospace	Text in bold monospace represents command names.
<i>Italics</i>	Text in <i>italics</i> is used to emphasize a word. In command syntax, it is used for variables for which you supply actual values, such as a default directory or the name of a system.
Monospace	Text in monospace identifies the data or commands that you type, samples of command output, examples of program code or messages from the system, or names of command flags, parameters, arguments, and name-value pairs.

SAN Volume Controller library and related publications

Product manuals, other publications, and websites contain information that relates to SAN Volume Controller.

SAN Volume Controller Information Center

The IBM System Storage SAN Volume Controller Information Center contains all of the information that is required to install, configure, and manage the SAN Volume Controller. The information center is updated between SAN Volume Controller product releases to provide the most current documentation. The information center is available at the following website:

publib.boulder.ibm.com/infocenter/svc/ic/index.jsp

SAN Volume Controller library

Unless otherwise noted, the publications in the SAN Volume Controller library are available in Adobe portable document format (PDF) from the following website:

www.ibm.com/storage/support/2145

Each of the PDF publications in Table 1 is available in this information center by clicking the number in the “Order number” column:

Table 1. SAN Volume Controller library

Title	Description	Order number
<i>IBM System Storage SAN Volume Controller Model 2145-CG8 Hardware Installation Guide</i>	This guide provides the instructions that the IBM service representative uses to install the hardware for SAN Volume Controller model 2145-CG8.	GC27-3923
<i>IBM System Storage SAN Volume Controller Hardware Maintenance Guide</i>	This guide provides the instructions that the IBM service representative uses to service the SAN Volume Controller hardware, including the removal and replacement of parts.	GC27-2283
<i>IBM System Storage SAN Volume Controller Troubleshooting Guide</i>	This guide describes the features of each SAN Volume Controller model, explains how to use the front panel, and provides maintenance analysis procedures to help you diagnose and solve problems with the SAN Volume Controller.	GC27-2284
<i>IBM System Storage SAN Volume Controller Software Installation and Configuration Guide</i>	This guide provides guidelines for configuring your SAN Volume Controller. Instructions for backing up and restoring the cluster configuration, using and upgrading the management GUI, using the CLI, upgrading the SAN Volume Controller software, and replacing or adding nodes to a cluster are included.	GC27-2286
<i>IBM System Storage SAN Volume Controller CIM Agent Developer's Guide</i>	This guide describes the concepts of the Common Information Model (CIM) environment. Procedures describe such tasks as using the CIM agent object class instances to complete basic storage configuration tasks, establishing new Copy Services relationships, and performing CIM agent maintenance and diagnostic tasks.	GC27-2288
<i>IBM System Storage SAN Volume Controller Safety Notices</i>	This guide contains translated caution and danger statements. Each caution and danger statement in the SAN Volume Controller documentation has a number that you can use to locate the corresponding statement in your language in the <i>IBM System Storage SAN Volume Controller Safety Notices</i> document.	GA32-0844
<i>IBM System Storage SAN Volume Controller Read First Flyer</i>	This document introduces the major components of the SAN Volume Controller system and describes how to get started installing the hardware and software.	GA32-0843

Table 1. SAN Volume Controller library (continued)

Title	Description	Order number
<i>IBM System Storage SAN Volume Controller and IBM Storwize® V7000 Command-Line Interface User's Guide</i>	This guide describes the commands that you can use from the SAN Volume Controller command-line interface (CLI).	GC27-2287
<i>IBM Statement of Limited Warranty (2145 and 2076)</i>	This multilingual document provides information about the IBM warranty for machine types 2145 and 2076.	Part number: 85Y5978
<i>IBM License Agreement for Machine Code</i>	This multilingual guide contains the License Agreement for Machine Code for the SAN Volume Controller product.	SC28-6872 (contains Z125-5468)

Other IBM publications

Table 2 lists IBM publications that contain information related to the SAN Volume Controller.

Table 2. Other IBM publications

Title	Description	Order number
<i>IBM System Storage Productivity Center Introduction and Planning Guide</i>	This guide introduces the IBM System Storage Productivity Center hardware and software.	SC23-8824
<i>Read This First: Installing the IBM System Storage Productivity Center</i>	This guide describes how to install the IBM System Storage Productivity Center hardware.	GI11-8938
<i>IBM System Storage Productivity Center User's Guide</i>	This guide describes how to configure the IBM System Storage Productivity Center software.	SC27-2336
<i>IBM System Storage Multipath Subsystem Device Driver User's Guide</i>	This guide describes the IBM System Storage Multipath Subsystem Device Driver for IBM System Storage products and how to use it with the SAN Volume Controller.	GC52-1309
<i>IBM Storage Management Pack for Microsoft System Center Operations Manager User Guide</i>	This guide describes how to install, configure, and use the IBM Storage Management Pack for Microsoft System Center Operations Manager (SCOM).	GC27-3909 publibfp.dhe.ibm.com/epubs/pdf/c2739092.pdf
<i>IBM Storage Management Console for VMware vCenter, version 3.0.0, User Guide</i>	This publication describes how to install, configure, and use the IBM Storage Management Console for VMware vCenter, which enables SAN Volume Controller and other IBM storage systems to be integrated in VMware vCenter environments.	GA32-0929 publibfp.dhe.ibm.com/epubs/pdf/a3209295.pdf

IBM documentation and related websites

Table 3 on page xxvii lists websites that provide publications and other information about the SAN Volume Controller or related products or technologies.

Table 3. IBM documentation and related websites

Website	Address
Support for SAN Volume Controller (2145)	www.ibm.com/storage/support/2145
Support for IBM System Storage and IBM TotalStorage products	www.ibm.com/storage/support/
IBM Publications Center	www.ibm.com/e-business/linkweb/publications/servlet/pbi.wss
IBM Redbooks® publications	www.redbooks.ibm.com/

Related accessibility information

To view a PDF file, you need Adobe Acrobat Reader, which can be downloaded from the Adobe website:

www.adobe.com/support/downloads/main.html

Related websites

The following websites provide information about SAN Volume Controller or related products or technologies:

Type of information	Website
SAN Volume Controller support	www.ibm.com/storage/support/2145
Technical support for IBM storage products	www.ibm.com/storage/support/
IBM Electronic Support registration	www.ibm.com/support/electronicssupport

How to order IBM publications

The IBM Publications Center is a worldwide central repository for IBM product publications and marketing material.

The IBM Publications Center offers customized search functions to help you find the publications that you need. Some publications are available for you to view or download at no charge. You can also order publications. The publications center displays prices in your local currency. You can access the IBM Publications Center through the following website:

www.ibm.com/e-business/linkweb/publications/servlet/pbi.wss

Sending your comments

To submit any comments about this book or any other SAN Volume Controller documentation:

- Go to the feedback page on the website for the SAN Volume Controller Information Center at publib.boulder.ibm.com/infocenter/svc/ic/index.jsp?topic=/com.ibm.storage.svc.console.doc/feedback.htm. There you can use the feedback page to enter and submit comments or browse to the topic and use the feedback link in the running footer of that page to identify the topic for which you have a comment.
- Send your comments by email to starpubs@us.ibm.com. Include the following information in your email:
 - Publication title
 - Publication form number
 - Page, table, or illustration numbers that you are commenting on

- A detailed description of any information that should be changed

Chapter 1. Parts listing

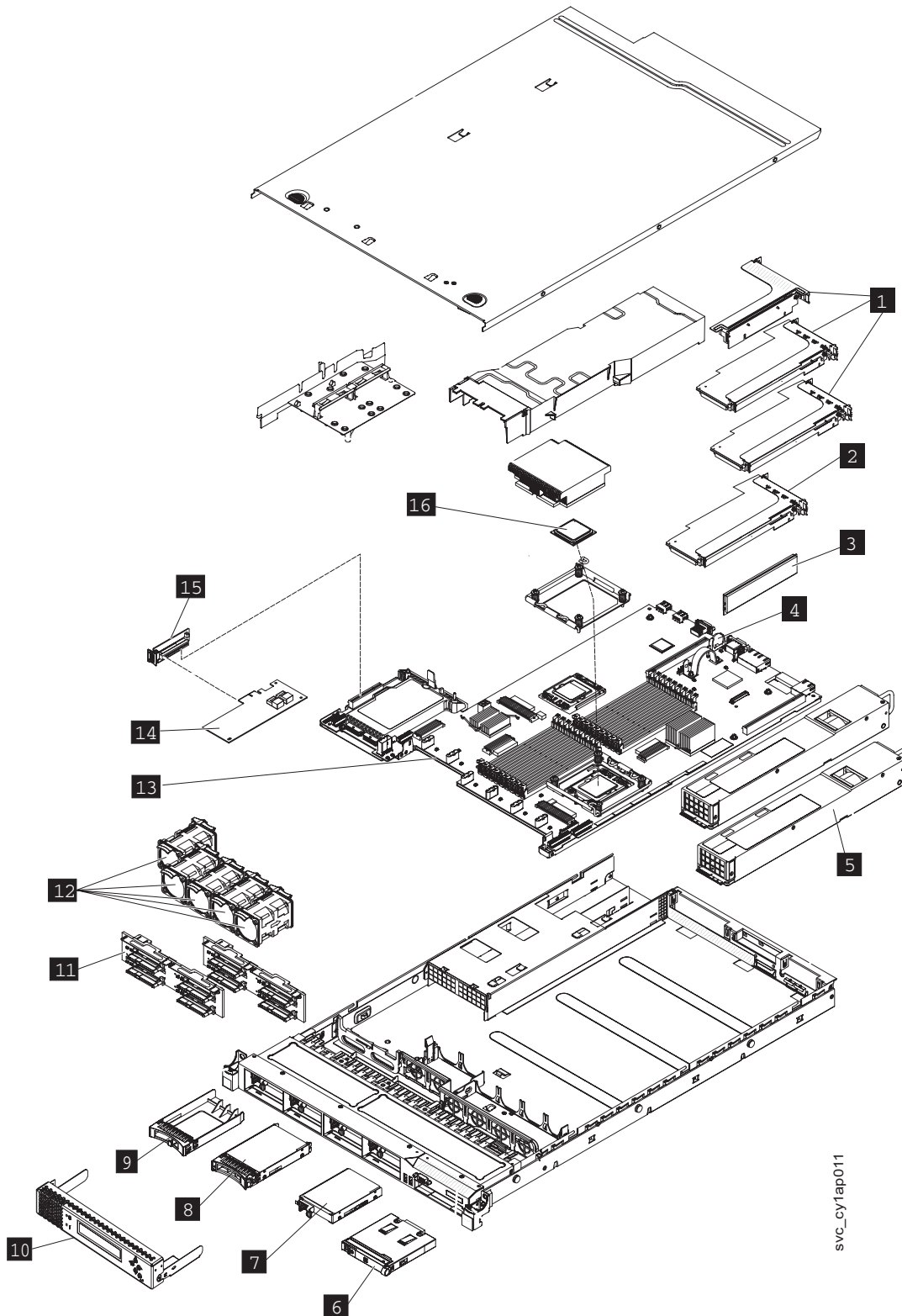
Part numbers are available for the different parts and field-replaceable units (FRUs) of the SAN Volume Controller nodes, the redundant ac-power switch, and the uninterruptible power-supply unit.

SAN Volume Controller supports several different node types. A label on the front of the node indicates the SAN Volume Controller node type, hardware revision (if appropriate), and serial number.

SAN Volume Controller 2145-CG8 parts

You might have to replace a SAN Volume Controller 2145-CG8 field-replaceable unit (FRU).

Figure 1 on page 2 Shows how the different parts of the SAN Volume Controller 2145-CG8 are assembled.



svc_cy1ap011

Figure 1. Parts diagram for the SAN Volume Controller 2145-CG8 model

The following tables identify part numbers and provide brief descriptions of the SAN Volume Controller 2145-CG8 parts. Use the assembly index number to locate and identify the parts that are shown in Figure 1.

- Table 4 on page 3 Calls out the FRUs that are referred to in service procedures.

- Table 5 on page 5 Calls out the FRUs that are not referred to by any SAN Volume Controller 2145-CG8 service procedure, but that might be replaced in some circumstances.
- Table 6 on page 5 calls out the FRUs for the solid-state drive (SSD) parts.
- Table 7 on page 6 Calls out the FRU parts that are required by the long-wave small-form factor pluggable (SFP) transceiver feature.

Table 4. FRUs in the SAN Volume Controller 2145-CG8 parts assembly

Assembly index	FRU part	Quantity	Description
- 1	43V7066	0-1	Empty riser card The SAN Volume Controller 2145-CG8 slot 2 connector has one of three adapters, either this one by default, or one of the optional adapters.
- 1	31P1559	0-1	Optional 10 gigabits-per-second (Gbps) Ethernet riser-card assembly An assembly that includes a 10 Gbps Ethernet adapter card that provides connectivity for up to two 10 Gbps fiber optic Ethernet cables. The assembly includes a riser card, a blanking plate, and 2 M3 screws.
-	31P1549	0-2	10 Gbps Ethernet Fibre SW SFP
- 2	31P1337	1	4-port Fibre Channel adapter The Fibre Channel host bus adapter (HBA) assembly connects the SAN Volume Controller 2145-CG8 to the Fibre Channel fabric. It is located in PCI slot 1. The adapter assembly includes the Fibre Channel PCI Express adapter, four shortwave SFPs, the riser card, and the bracket. Important: If the system is using alternative SFPs, replace the SFPs on the FRU part with the SFPs from the Fibre Channel adapter that is being replaced.
-	31P1338	0-4	Shortwave SFP The small form-factor pluggable (SFP) transceiver provides an auto-negotiating 2, 4, or 8 Gbps shortwave optical connection on the 4-port Fibre Channel adapter. Important: It is possible that SFPs other than those shipped with the product are in use on the Fibre Channel host bus adapter. It is a customer responsibility to obtain replacement parts for such SFPs. The FRU part number is shown as "Non standard - supplied by customer" in the vital product data.
- 3	49Y1446	3	Memory module 8 GB 2Rx4 2 Gbit DDR3 1333 MHz ECC LP RDIMM
- 4	33F8354	1	CMOS battery 3.0 volt battery on the system board that maintains power to back up system BIOS settings.
- 5	39Y7236	2	Power supply unit 675 Watt ac
-	31P1294	1	Power cable assembly The cable assembly connects the SAN Volume Controller and the 2145 UPS-1U. The assembly consists of 2 power cables bundled with a serial cable.

Table 4. FRUs in the SAN Volume Controller 2145-CG8 parts assembly (continued)

Assembly index	FRU part	Quantity	Description
- 6	44E4372	1	Operator-information panel This assembly includes the information panel that contains the power-control button and diagnostic LEDs.
- 7	42D0673	1	Disk drive The serial-attached SCSI (SAS) 2.5 inch disk drive, when ordered as a replacement, can be a supported compatible drive of at least the same capacity as the one being replaced.
- 8	31P1551	0-4	146 GB solid-state drive (SSD)
- 9	44T2248	2-6	Drive bay blank EMC filler assembly
- 10	31P1557	1	Service controller The service controller includes the front-panel display, buttons, and associated electronics.
-	31P1540	1	Service controller cable The USB cable is used to connect the service controller to the system board.
- 11	59Y3915	2	Disk backplane Hot-swap SAS 2.5 inch disk-drive backplane
-	59Y3918	1	Disk signal cable 200 mm SAS disk signal cable for the 2.5 inch SAS system disk. This is a Y cable; one end connects to the system board and the other two ends connect to the two drive backplanes.
-	59Y3920	1	Disk power cable Power cable for the 2.5 inch SAS system disk. This is a Y cable; one end connects to system board and the other two ends connect to the two drive backplanes.
-	59Y3461	1	Backplane control cable
- 12	43V6929	6	Fan assembly The fan assembly is used in each of the six fan positions.
- 13	81Y6625	1	System board The system board is also called the <i>planar</i> . Important: This part is the system board only. When replaced, you must also have alcohol wipes and thermal grease.
- 14	46M0861	1	Disk controller SAS controller card for the SAS 2.5 inch disk drive that does not include the riser card.
- 15	43V7067	1	Disk controller riser card with USB connector Riser card that connects the disk controller to the system board and provides the USB port to which the service controller cable connects.

Table 4. FRUs in the SAN Volume Controller 2145-CG8 parts assembly (continued)

Assembly index	FRU part	Quantity	Description
- 16	49Y7052	0 - 1	Microprocessor E5630 2.53 GHz 4-core microprocessor 80 W Important: This part is the microprocessor only. A 4-core processor must be replaced with a 4-core FRU part. When replaced, you must also have alcohol wipes and thermal grease.
- 16	69Y4714	0 - 1	Microprocessor IntelR XeonR Processor E5645 6-core 2.4 GHz 12 MB 5.86 GT/s QPI 80 W Important: This part is the microprocessor only. A 6-core processor must be replaced with a 6-core FRU part. When replaced, you must also have alcohol wipes and thermal grease.

Table 5. FRUs to which SAN Volume Controller 2145-CG8 service procedures do not refer

Description	Part number	Quantity
Node cable retention bracket	31P1402	2
Thermal grease	41Y9292	1
Heat sink	49Y4820	1
Alcohol wipes	59P4739	1
Top cover	59Y3790	1
Air baffle kit (microprocessor and memory)	59Y3779	1
Support rails	69Y4391	1
Cable management arm assembly	69Y4392	1

Table 6. FRU parts for the solid-state drive (SSD) features

Description	Part number	Quantity	Feature Code
High-speed SAS adapter An assembly that includes a high-speed SAS adapter card that provides connectivity for up to four solid-state drives (SSDs). The assembly includes a riser card, a blanking plate, and two M3 screws.	31P1340	1	4500
High-speed SAS cable This cable connects the high-speed SAS adapter to the disk backplane.	41Y3884	1	
164 GB Solid-state drive (SSD)	31P1342	1 - 4	4601

Table 7. FRU parts for the long-wave small form-factor pluggable (SFP) transceiver feature

Description	Part number	Quantity	Feature Code
<p>Long-wave SFP transceiver FRU</p> <p>Long-wave SFP transceiver that provides an auto-negotiating 2, 4, or 8 gigabits-per-second 10 kilometer (km) long-wave optical connection on the 4-port Fibre Channel adapter.</p> <p>Note: It is possible that SFP transceiver other than those shipped with the product are in use on the Fibre Channel host bus adapter. It is a customer responsibility to obtain replacement parts for such SFP transceiver. The FRU part number is shown as “Non standard - supplied by customer” in the vital product data.</p>	31P1345	1 - 4	5608

SAN Volume Controller 2145-CF8 parts

You might have to replace a SAN Volume Controller 2145-CF8 field-replaceable unit (FRU).

Figure 2 on page 7 shows how the different parts of the SAN Volume Controller 2145-CF8 are assembled.

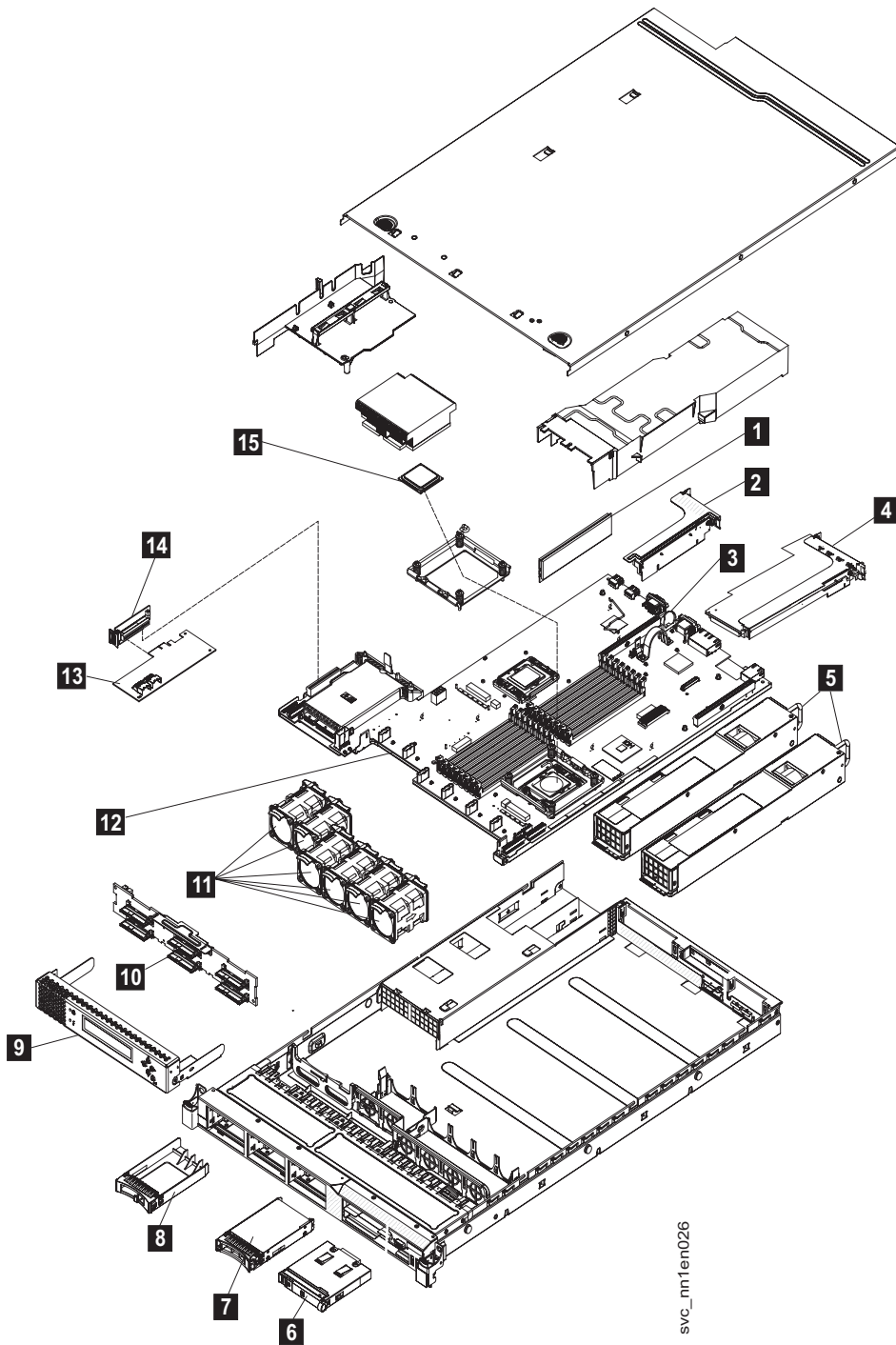


Figure 2. Exploded view of the SAN Volume Controller 2145-CF8 node

The following tables identify part numbers and provide brief descriptions of the SAN Volume Controller 2145-CF8 parts. Use the assembly index number to locate and identify the parts that are shown in Figure 2.

- Table 8 on page 8 calls out the FRUs that are referred to in service procedures.
- Table 9 on page 10 calls out the FRUs that are not referred to by any SAN Volume Controller 2145-CF8 service procedure, but that might be replaced in some circumstances.
- Table 10 on page 10 lists the FRUs that are related to the optional solid-state drive (SSD) features.

- Table 11 on page 10 calls out the FRU parts that are required by the long-wave small-form factor pluggable (SFP) transceiver feature.

Table 8. FRUs in the SAN Volume Controller 2145-CF8 parts assembly

Assembly index	Part number	Units	Description
-1	44T1493	6	Memory module 4 GB memory module, DDR3-1333 2RX4 LP RDIMM
-2	31P1340	1	Optional: high-speed SAS adapter An assembly that includes a high-speed SAS adapter card that provides connectivity for up to four solid-state drives (SSDs), a riser card, a blanking plate, and screws.
-3	33F8354	1	CMOS battery 3.0 volt battery on the system board that maintains power to back up system BIOS settings.
-4	31P1337	1	4-port Fibre Channel adapter A Fibre Channel host bus adapter (HBA) assembly that connects the SVC CF8 to the Fibre Channel fabric. It is located in PCI slot 1. The adapter assembly includes the Fibre Channel PCI Express adapter, four short-wave small form-factor pluggable (SFP) transceivers, the riser card, and the bracket. Note: If the system is using alternative Fibre Channel SFP transceivers, replace the SFP transceivers on the FRU part with the SFP transceivers from the Fibre Channel adapter that is being replaced.
-5	39Y7201	2	Power supply unit Ac power supply, 675 Watt
-6	44E4372	1	Operator-information panel This assembly includes the information panel that contains the power-control button and diagnostics LEDs.
-7	42D0673	1	Disk drive The serial-attached SCSI (SAS) 2.5 inch disk drive, which, when ordered as a replacement, might be a supported compatible drive of at least the same capacity as the one being replaced.
-8	44T2248	4	Drive bay blank EMC filler assembly
-9	31P1339	1	Service controller The service controller includes the front-panel display, buttons, and associated electronics.
-10	43V7071	1	Disk backplane Hot-swap SAS 2.5" disk-drive backplane
-11	43V6929	6	Fan assembly The fan assembly is used in each of the six fan positions.
-12	43V7072	1	System board The system board is also called the <i>planar</i> . Note: This part is the system board only. When replaced, you must also have alcohol wipes and thermal grease.

Table 8. FRUs in the SAN Volume Controller 2145-CF8 parts assembly (continued)

Assembly index	Part number	Units	Description
-13	44E8690	1	Disk controller SAS controller card for the SAS 2.5 inch disk drive that also includes the riser card.
-14	44E8690	1	Disk controller / USB riser card Riser card that connects the disk controller to the system board and provides the USB port to which the service controller cable connects.
-15	46D1266	1	Microprocessor 2.40 GHz Quad-core microprocessor Note: This part is the microprocessor only. When replaced, you must also have alcohol wipes and thermal grease.
-	31P1338	4	Short-wave SFP transceivers Small form-factor pluggable (SFP) Fibre Channel transceiver that provides an auto-negotiating 2, 4, or 8 gigabits-per-second short-wave optical connection on the 4-port Fibre Channel adapter. Note: It is possible that SFP transceivers other than those shipped with the product are in use on the Fibre Channel host bus adapter. It is a customer responsibility to obtain replacement parts for such SFP transceivers. The FRU part number is shown as "Non standard - supplied by customer" in the vital product data.
-	31P1206	1	Service controller cable The USB cable used to connect the service controller to the system board.
-	43V6922	1	Disk signal cable 200 mm SAS disk signal cable
-	46C4148	1	Disk power cable SAS disk power cable
-	31P1294	1	Power cable assembly The cable assembly that connects the SAN Volume Controller and the 2145 UPS-1U. The assembly consists of two power cables bundled with a serial cable.
-	49Y4817	1	Cable-management arm
-	46C4139	1	Operator information panel cable Cable that connects the operator information panel to the system board
-	41Y9292	-	Thermal grease Grease that helps provide a thermal seal between the processor and the heat sink
-	59P4739	-	Alcohol wipe Cleaning wipe

Table 9. FRUs to which SAN Volume Controller 2145-CF8 service procedures do not refer

Description	Part number	Quantity
Top cover	43V6933	1
Front panel moulding that surrounds the operator information panel	49Y4818	1
Air baffle kit (microprocessor and memory)	43V6931	1
Heat sink	49Y4820	1
Base chassis	49Y4813	1
Rail kit used to install the node in a rack	49Y4816	1
Cable management arm assembly	49Y4817	1
Cable retention bracket	31P1243	1
Front panel USB cable	43V6920	1
Front bezel assembly	49Y4818	1
DVD drive bay filler	49Y4824	1
240VA safety cover	49Y4823	1
HDD I2C signal cable	43V7023	1

Table 10. FRU parts for the solid-state drive (SSD) features

Description	Part number	Quantity	Feature Code
High-speed SAS adapter An assembly that includes a high-speed SAS adapter card that provides connectivity for up to four solid-state drive (SSD). The assembly includes a riser card, a blanking plate, and two M3 screws.	31P1340	1	4500
High-speed SAS cable This cable connects the high-speed SAS adapter to the disk backplane.	41Y3884	1	
146 GB Solid-state drive (SSD)	31P1342	1 to 4	4601

Table 11. FRU parts for the long-wave small form-factor pluggable (SFP) transceiver feature

Description	Part number	Quantity	Feature Code
Long-wave SFP transceiver FRU Long-wave SFP transceiver that provides an auto-negotiating 2, 4, or 8 gigabits-per-second 10 kilometer (km) long-wave optical connection on the 4-port Fibre Channel adapter. Note: It is possible that SFP transceiver other than those shipped with the product are in use on the Fibre Channel host bus adapter. It is a customer responsibility to obtain replacement parts for such SFP transceiver. The FRU part number is shown as "Non standard - supplied by customer" in the vital product data.	31P1345	1 to 4	5608

SAN Volume Controller 2145-8A4 parts

You might need to replace a SAN Volume Controller 2145-8A4 field replaceable unit (FRU).

Figure 3 shows how the different parts of the SAN Volume Controller 2145-8A4 are assembled.

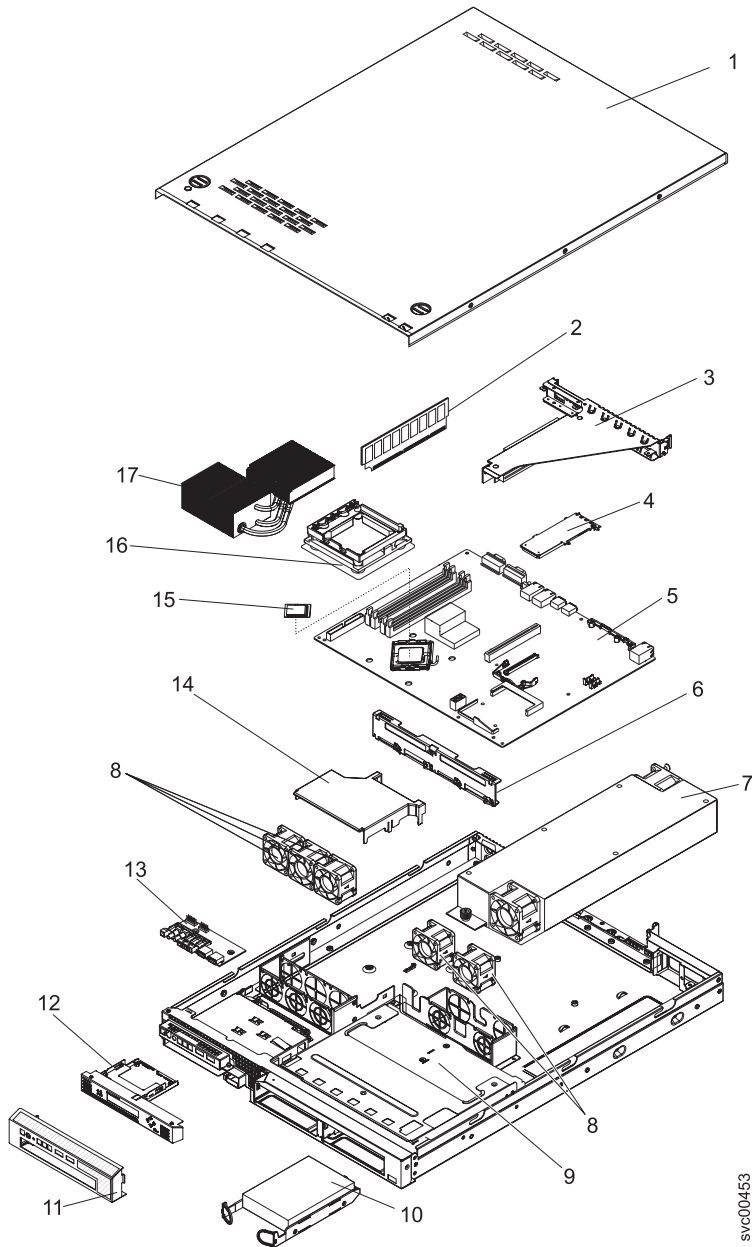


Figure 3. Exploded view of the SAN Volume Controller 2145-8A4 node

- Table 12 on page 12 provides the part numbers and a brief description for parts that are exchanged within SAN Volume Controller 2145-8A4 service procedures.
- Table 13 on page 13 provides the part numbers and a brief description for parts that are not exchanged within SAN Volume Controller 2145-8A4 service procedures.

Use the assembly index number to locate and identify the parts that are shown in Figure 3.

Table 12. FRUs that are exchanged within SAN Volume Controller 2145-8A4 service procedures

Assembly index	Part number	Units	Description
-2	41Y2854	4	Memory, 2 GB PC2-5300 ECC
-3	43W5112	1	Riser card, PCI Express®
-4	31P0937	1	4-port Fibre Channel host bus adapter
-	23R2770	4	Fibre Channel SFP transceiver
-5	43W5103	1	System board (You need 1 alcohol wipe and 1 thermal grease syringe when you replace this FRU. If you do not already have these, order them before you begin to replace the part.)
-6	39M4347	1	Disk cable assembly (A SATA disk drive back plate with 2 SATA cables)
-7	39Y7289	1	Power supply, 351 watt
-8	39M4322	5	Fan (40 mm)
-10	41Y8247	1	Hard disk drive, 3.5 in, simple-swap SATA This disk drive, when ordered as a replacement, will be a supported compatible drive of at least the same capacity as the one being replaced.
-12	31P1157	1	Service controller, including the front-panel display and the display and control buttons
-13	42C1513	1	Operator-information panel
-	39M6266	1	Operator-information panel cable
-15	44X0204	1	Microprocessor, 3.0 GHz 6 MB dual core (You need 1 alcohol wipe and 1 thermal grease syringe when you replace this FRU. If you do not already have these, order them before you begin to replace the part.)
-	33F8354	1	Battery, 3.0V

Table 12. FRUs that are exchanged within SAN Volume Controller 2145-8A4 service procedures (continued)

Assembly index	Part number	Units	Description
-	31P1177	1	Power cable assembly (SAN Volume Controller to the 2145 UPS-1U). The SAN Volume Controller 2145-8A4 does not work with previous versions of the power cable assembly. The correct power cable assembly is indicated by the red tape that is used to bind the cables together.
-	12R9914	1	External Fibre Channel cable, LC-LC, 5.0 m (16.4 ft)
-	12R9915	1	External Fibre Channel cable, LC-LC, 25.0 m (82 ft)
-	59P4739	1	Alcohol wipe
-	41Y9292	1	Thermal grease

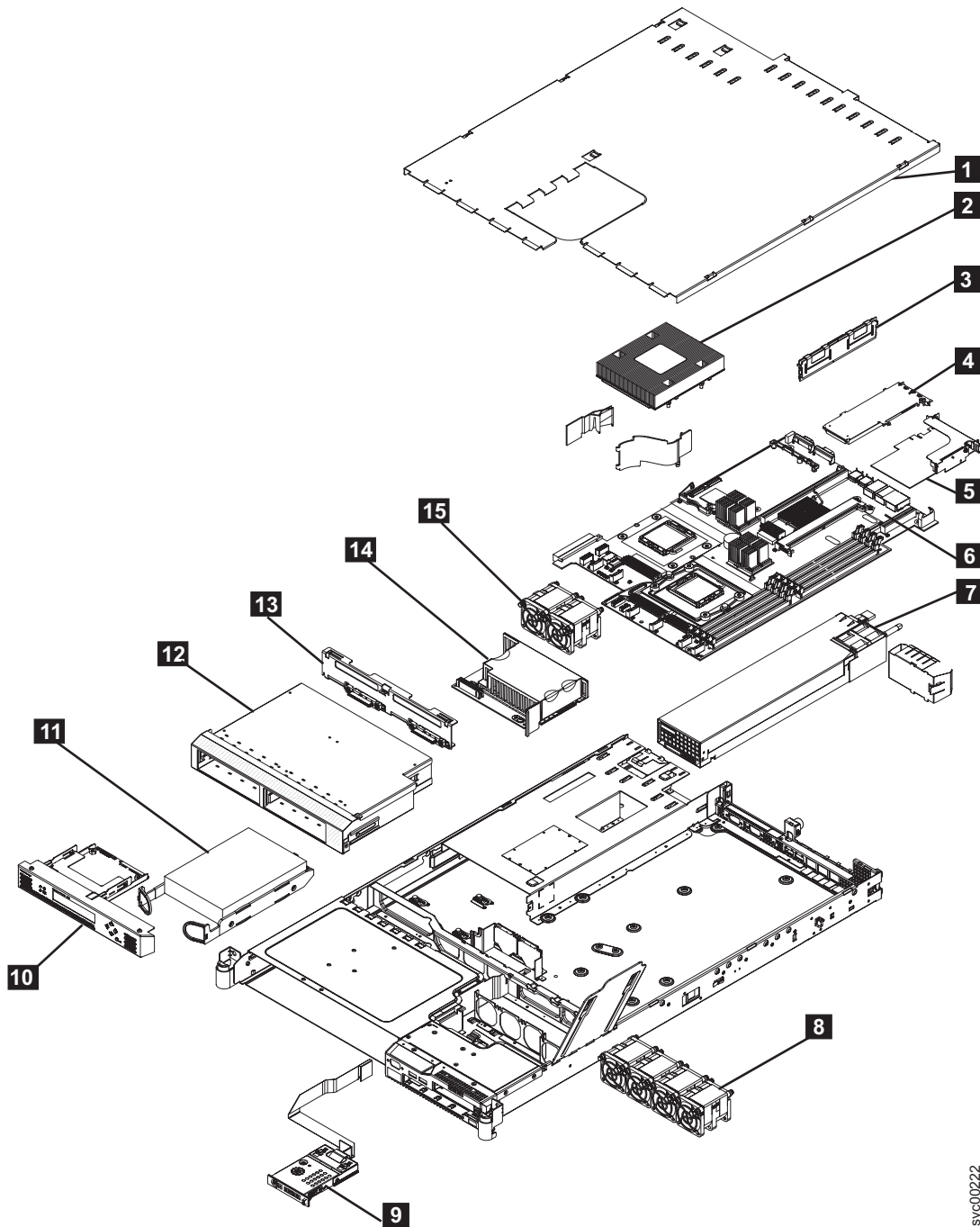
Table 13. FRUs that are not exchanged within SAN Volume Controller 2145-8A4 service procedures

Assembly index	Part number	Quantity	Description
-	32P9107	1	Support rail kit
-	31P1171	1	Cable retention bracket
-	43W5119	1	Chassis
1	42C1284	1	Top cover
9	42C1286	1	Drive cage
11	43W5115	1	Front bezel
14	39M6296	1	Air baffle
16	43W5117	1	Heat-sink assembly retention module
17	43W5116	1	Heat-sink assembly
-	42C1282	1	3.5 in. SATA service label
-	43W5113	1	Service label
-	43W5114	1	CRU/FRU label
-	39M4351	2	Bracket ear

SAN Volume Controller 2145-8G4 parts

You might need to replace a SAN Volume Controller 2145-8G4 field replaceable unit (FRU).

Figure 4 on page 14 shows how the different parts of the SAN Volume Controller 2145-8G4 are assembled.



svc00222

Figure 4. Exploded view of the SAN Volume Controller 2145-8G4 node

There are two versions of the SAN Volume Controller 2145-8G4 node: Rev 1 and Rev 2. The differences between these two versions are in the memory and processor configuration. See Table 14 to determine which version you have. In addition, the vital product data (VPD) for the node indicates the correct part numbers for nodes that are working in a cluster.

Table 14. Distinctive characteristics of the SAN Volume Controller 2145-8G4 versions

Rev 1 version	Rev 2 version
There is one label on the front of the node and it does not include a revision number	There are two labels on the front of the node; the larger label is positioned on the optical drive filler panel and includes the revision number

Table 14. Distinctive characteristics of the SAN Volume Controller 2145-8G4 versions (continued)

Rev 1 version	Rev 2 version
Has two microprocessors	Has one microprocessor
Has eight memory modules	Has four memory modules
Has a serial number in the format <i>mm-Fxxxx</i>	Has a serial number in the format <i>mm-Gxxxx</i>

The following tables identify part numbers and provide brief descriptions of the SAN Volume Controller 2145-8G4 parts. Use the assembly index number to locate and identify the parts that are shown in Figure 4 on page 14.

- Table 15 lists the parts that are unique for the Rev 1 version.
- Table 16 lists the parts that are unique for the Rev 2 version.
- Table 17 lists the parts that are used with both versions.
- Table 18 on page 16 lists the FRUs that are not referred to by any SAN Volume Controller 2145-8G4 service procedure.

Table 15. FRU part numbers that are unique for the SAN Volume Controller 2145-8G4 Rev 1 version

Assembly index	Part number	Units	Description
-2	42C4228	2	Microprocessor, 2.33 GHz with heat sink
-3	39M5784	8	Memory, 1 GB ECC DRR2

Table 16. FRU part numbers that are unique for the SAN Volume Controller 2145-8G4 Rev 2 version

Assembly index	Part number	Units	Description
-2	44R5646	1	Microprocessor, 2.5 GHz (You need 1 alcohol wipe and 1 thermal grease syringe when you replace this FRU. If you do not already have these, order them before you begin to replace the part.)
-3	39M5790	4	Memory, 2 GB ECC DRR2

Table 17. FRUs in the SAN Volume Controller 2145-8G4 parts assembly

Assembly index	Part number	Units	Description
-1	43W0609	1	Top cover
-4	31P0937	1	4-port Fibre Channel host bus adapter
-5	32R2883	1	Riser card, PCI Express (Slot 1)
-6	31P1090	1	System board (You need 2 alcohol wipes and 2 thermal grease syringes when you replace this FRU. If you do not already have these, order them before you begin to replace the part.)
-7	39Y7189	1	Power supply, 670 watt

Table 17. FRUs in the SAN Volume Controller 2145-8G4 parts assembly (continued)

Assembly index	Part number	Units	Description
-8 and -15	26K8083	6	Fan assembly
-	33F8354	1	Battery, 3.0V
-9	43W0625	1	Operator-information panel
-10	31P0908	1	Service controller
-11	41Y8247	1	Hard disk drive, 3.5 in, simple-swap SATA (beginning with SAN Volume Controller 4.3.1) This disk drive, when ordered as a replacement, will be a supported compatible drive of at least the same capacity as the one being replaced.
-12	32R2823	1	Simple-swap SATA disk drive cage
-13	26K8060	1	Disk-drive backplane
-14	39Y6972	1	Power back plane
-	23R2770	1	Fibre Channel SFP transceiver
-	31P1063	1	Power cable assembly (SAN Volume Controller to 2145 UPS-1U)
-	39M5700	1	External Fibre Channel cable, LC-LC, 5.0 m (16.4 ft)
-	39M5701	1	External Fibre Channel cable, LC-LC, 25.0 m (82 ft)
-	59P4739	1	Alcohol wipe
-	41Y9292	1	Thermal grease

Table 18. FRUs that are not referenced by SAN Volume Controller 2145-8G4 service procedures

Part number	Quantity	Description
39Y9510	1	Kit, toolless rail
31P1045	1	Cable retainer assembly
26K8058	2	Front panel USB cable
32R2820	1	3.5 in. SATA service label
39Y9420	1	Air flow parts
39Y9423	2	Heat sink assembly
39Y9507	1	Media bezel assembly
43W0610	1	Service labels assembly
39Y9522	1	Main panel weldment
42C3983	1	Optical interposer card
43V4869	1	CRU/FRU label

Table 18. FRUs that are not referenced by SAN Volume Controller 2145-8G4 service procedures (continued)

Part number	Quantity	Description
39Y9507	1	Media bezel assembly
32R2823	1	3.5 in. SATA cartridge assembly

SAN Volume Controller 2145-8F4 parts

You might need to replace a SAN Volume Controller 2145-8F4 field replaceable unit (FRU).

Figure 5 shows how the different parts of the SAN Volume Controller 2145-8F4 are assembled.

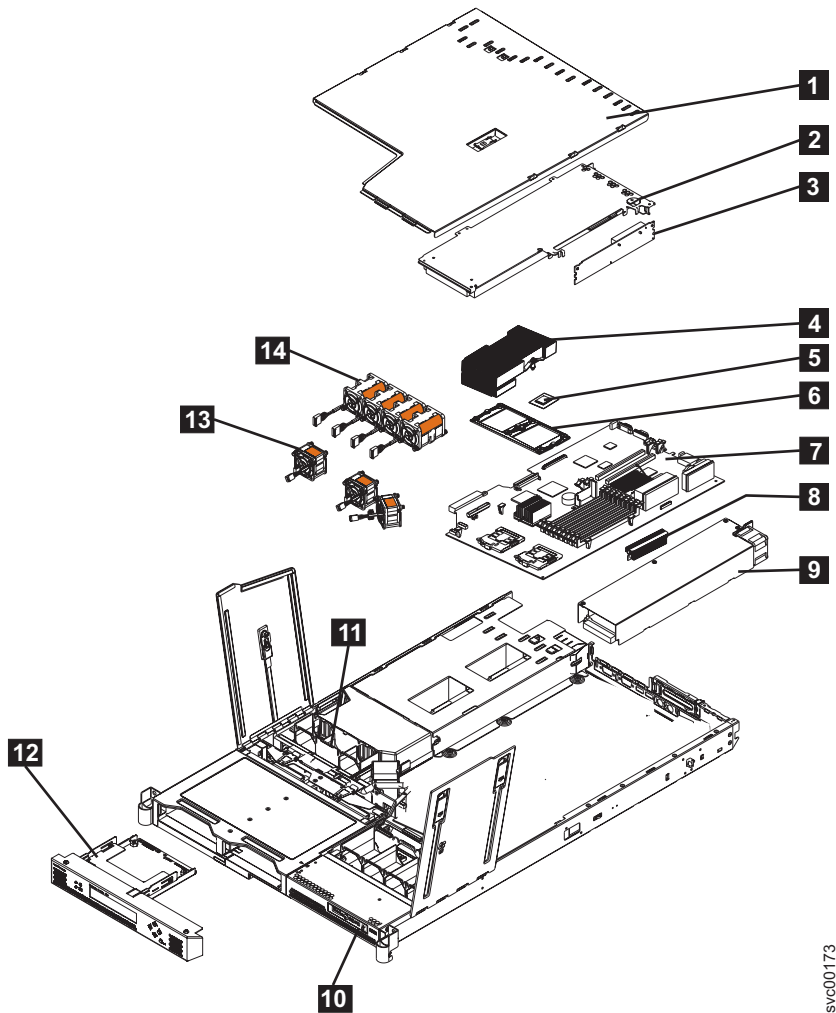


Figure 5. Exploded view of the SAN Volume Controller 2145-8F4 node

Table 19 provides the part numbers and a brief description of the frame assembly parts that are labeled in Figure 5. The frame assembly comprises all the parts except the service controller and Fibre Channel cards. These parts are listed in Table 20 on page 18.

Table 19. SAN Volume Controller 2145-8F4 frame assembly

Assembly index	Part number	Units	Description
	31P0705	1	Frame assembly

Table 19. SAN Volume Controller 2145-8F4 frame assembly (continued)

Assembly index	Part number	Units	Description
-	31P0769	1	80GB SATA HDD This disk drive, when ordered as a replacement, will be a supported compatible drive of at least the same capacity as the one being replaced.
-1	23K4219	1	Top cover
-3	90P1956	1	Riser card, PCI Express
-4	39R9058	2	Heat sink
-5	13M8293	2	Microprocessor, 3.0 GHz
-6	90P5282	1	Heat sink retention module
-	90P5284	1	Chassis
-	23K4209	1	Cage assembly
-7	39Y6958	1	System board
-8	39Y7261	2	Voltage regulator module (VRM), 1U/75A
-9	39Y7169	1	Power supply, 585 watt
-	40K8157	1	Power backplane
-	33F8354	1	Battery, 3.0V
-	40K8160	1	Cable, fan power
-	40K8159	1	Cable, signal, front panel
-10	42C9719	1	Operator information panel
-11	40K8156	1	Fan holder with fan backplanes
-13	40K8139	3	Fan, 40×40×28
-14	40K8140	4	Fan, 40×40×56
-	73P2870	8	Memory, 1 GB ECC DRR2

Table 20. Items not included in the SAN Volume Controller 2145-8F4 frame assembly

Assembly index	Part number	Units	Description
-2	31P0714	1	4-port Fibre Channel host bus adapter
-	23R2770	1	Fibre Channel SFP transceiver
-12	31P0708	1	Service controller
-	23K4218	1	Kit, toolless rail
-	31P1063	1	Power cable assembly (SAN Volume Controller to the 2145 UPS-1U)
-	31P0715	1	Cable retainer
-	39M5699		External Fibre Channel cable, LC-LC, 1.0 m (3.3 ft)
-	39M5700		External Fibre Channel cable, LC-LC, 5.0 m (16.4 ft)
-	39M5701		External Fibre Channel cable, LC-LC, 25.0 m (82 ft)
-	12R9321		External Fibre Channel cable, LC-SC/LC, 1.0 m (3.3 ft)

SAN Volume Controller 2145-8F2 parts

You might need to replace a SAN Volume Controller 2145-8F2 field replaceable unit (FRU).

Figure 6 shows how the different parts for the SAN Volume Controller 2145-8F2 are assembled.

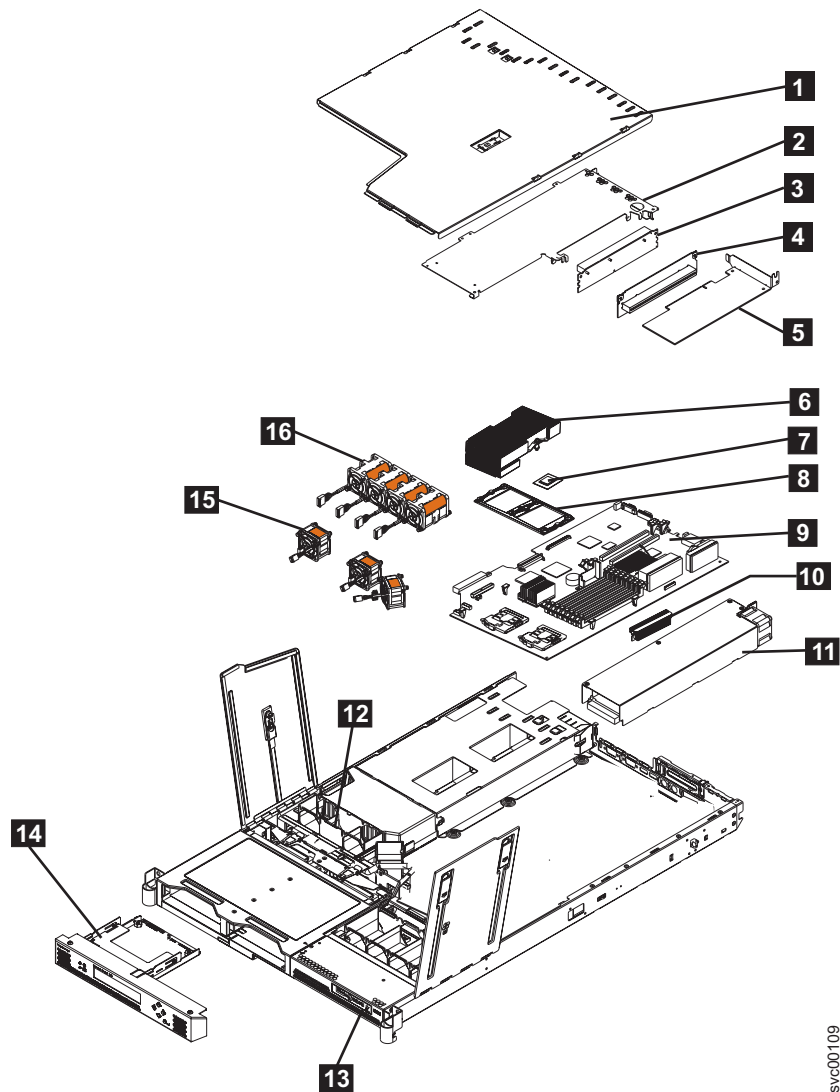


Figure 6. Exploded view of the SAN Volume Controller 2145-8F2 node

Table 21 provides the part numbers and a brief description of the frame assembly parts that are labeled in Figure 6. The frame assembly comprises all of the parts except the service controller and Fibre Channel cards. These parts are listed in Table 22 on page 20.

Table 21. SAN Volume Controller 2145-8F2 frame assembly

Assembly index	Part number	Units	Description
	64P7934	1	Frame assembly
-1	23K4219	1	Top cover
-	64P8332	1	80GB SATA HDD
-3	23K4211	1	Riser card, PCI (full height)
-4	90P1957	1	Riser card, PCI (low profile)
-6	90P5281	2	Heat sink

Table 21. SAN Volume Controller 2145-8F2 frame assembly (continued)

Assembly index	Part number	Units	Description
-7	13M8293	2	Microprocessor, 3.0 GHz
-8	90P5282	1	Heat sink retention module
-	90P5284	1	Chassis
-	23K4209	1	Cage assembly
-9	32R1730	1	System board
-10	24R2698	2	VRM, 1U/75A
-11	24R2640	1	Power supply assembly
-	23K4515	1	Power backplane
-	33F8354	1	Battery, 3.0V
-	33P2352	1	Cable, fan power
-	25R4052	1	Cable, signal, front panel
-12	23K4992	1	Fan holder with fan backplanes
-13	23K4490	1	Operator information panel
-15	23K4217	3	Fan, 40×40×28
-16	33P2335	4	Fan, 40×40×56
-	73P2870	8	Memory, 1 GB ECC DRR2

Table 22. Items not included in the SAN Volume Controller 2145-8F2 frame assembly

Assembly index	Part number	Units	Description
-2	64P7783	1	Fibre Channel HBA (full height)
-5	64P7813	1	Fibre Channel HBA (low profile)
-	23R2770	1	Fibre Channel SFP transceiver
-14	64P7874	1	Service controller
-	64P7940	1	Input power cable assembly, (SAN Volume Controller 2145-8F2 to the 2145 UPS-1U)
-	23K4218	1	Kit, toolless rail
-	39M5699		External Fibre Channel cable, LC-LC, 1.0 m (3.3 ft)
-	39M5700		External Fibre Channel cable, LC-LC, 5.0 m (16.4 ft)
-	39M5701		External Fibre Channel cable, LC-LC, 25.0 m (82 ft)
-	12R9321		External Fibre Channel cable, LC-SC/LC, 1.0 m (3.3 ft)

Redundant ac-power switch parts

There is a single field-replaceable unit (FRU) assembly for the redundant ac power feature. It consists of the switch and two input-power cables.

The redundant ac-power switch is an optional feature that makes the SAN Volume Controller nodes resilient to the failure of a single power circuit. The redundant ac-power switch is not a replacement for an uninterruptible power supply. You must still use a uninterruptible power supply for each node.

Figure 7 shows the redundant ac-power switch.

Table 23 lists the part numbers for the redundant ac-power switch.



Figure 7. View of the redundant ac-power switch FRU

Table 23. Redundant ac-power switch

Part number	Units	Description
31P0896	1	Redundant ac-power switch assembly

2145 UPS-1U parts

The 2145 UPS-1U is assembled from four separate parts.

A 2145 UPS-1U powers one SAN Volume Controller node. Figure 8 on page 22 shows the parts that make up the 2145 UPS-1U.

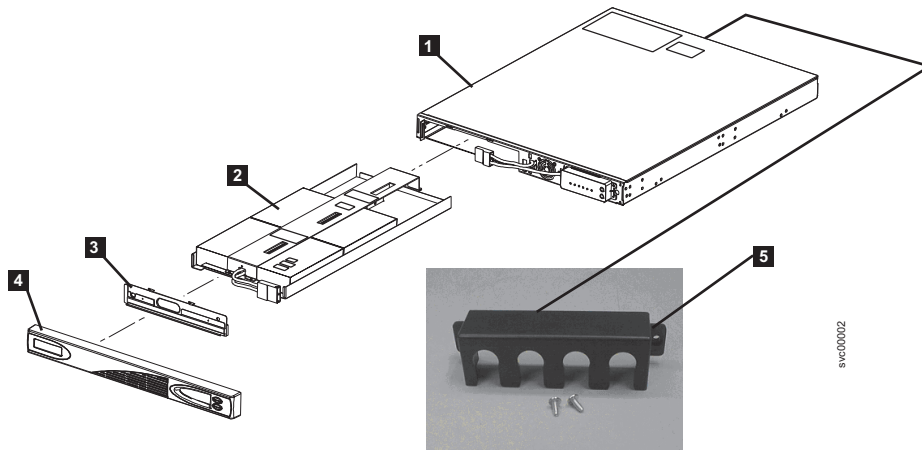


Figure 8. A 2145 UPS-1U powers one SAN Volume Controller node.

Table 24 lists the different parts that are labeled in Figure 8.

Table 24. 2145 UPS-1U part numbers

Assembly index	Part number	Units	Description
	31P1392	1	2145 UPS-1U assembly Uninterruptible power supply assembly for use with either 2145-CG8 or 2145-CF8
	31P0875	1	2145 UPS-1U assembly Uninterruptible power supply assembly for use with 2145-8F2, 2145-8F4, 2145-8G4, and 2145-8A4. The 31P1392 FRU part might be substituted for this FRU.
-1	Not available	1	Chassis assembly This item cannot be ordered and is supplied as part of the 2145 UPS-1U assembly.
-2	31P1393	1	Battery pack assembly
-3	Not available	1	Battery plate This item cannot be ordered and is supplied as part of the 2145 UPS-1U assembly.
-4	31P0709	1	Front panel
-5	31P1060	1	2145 UPS-1U cable retention bracket kit
-	31P0711	1	Support rail kit, contains rails, nut clips, and screws
-	39M5376	1	Input-power cable, power distribution unit to the 2145 UPS-1U.
-	39M5116	1	Main power cable for the United States.

Power cables for the 2145 UPS-1U

If you do not connect the 2145 UPS-1U to a rack power-distribution unit (PDU) or redundant ac-power switch, you must follow your country or region's power requirements to choose the appropriate power cable for the 2145 UPS-1U.

The 2145 UPS-1U is supplied with an IEC 320-C13 to C14 jumper to connect it to a rack PDU. You can also use this cable to connect the 2145 UPS-1U to the redundant ac-power switch.

The following table lists the power cable options for your country or region.

Country or region	Length	Connection type (attached plug designed for 200 - 240 V ac input)	Part number
United States of America (Chicago), Canada, Mexico	1.8 m (6 ft)	NEMA L6-15P	39M5115
Bahamas, Barbados, Bermuda, Bolivia, Brazil, Canada, Cayman Islands, Colombia, Costa Rica, Dominican Republic, Ecuador, El Salvador, Guatemala, Guyana, Haiti, Honduras, Jamaica, Japan, Korea (South), Liberia, Mexico, Netherlands Antilles, Nicaragua, Panama, Peru, Philippines, Saudi Arabia, Suriname, Taiwan, Trinidad (West Indies), United States of America, Venezuela	2.8 m (9 ft)	NEMA L6-15P	39M5116
Afghanistan, Algeria, Andorra, Angola, Austria, Belgium, Benin, Bulgaria, Burkina Faso, Burundi, Cameroon, Central African Republic, Chad, Czech Republic, Egypt, Finland, France, French Guiana, Germany, Greece, Guinea, Hungary, Iceland, Indonesia, Iran, Ivory Coast, Jordan, Lebanon, Luxembourg, Macao S.A.R. of China, Malagasy, Mali, Martinique, Mauritania, Mauritius, Monaco, Morocco, Mozambique, Netherlands, New Caledonia, Niger, Norway, Poland, Portugal, Romania, Senegal, Slovakia, Spain, Sudan, Sweden, Syria, Togo, Tunisia, Turkey, former USSR, Vietnam, former Yugoslavia, Zaire, Zimbabwe	2.8 m (9 ft)	CEE 7-VII	39M5123
Antigua, Bahrain, Brunei, Channel Islands, Hong Kong S.A.R. of China, Cyprus, Dubai, Fiji, Ghana, India, Iraq, Ireland, Kenya, Kuwait, Malawi, Malaysia, Malta, Nepal, Nigeria, Polynesia, Qatar, Sierra Leone, Singapore, Tanzania, Uganda, United Kingdom, Yemen, Zambia	2.8 m (9 ft)	BS 1363/A	39M5151
Argentina	2.8 m (9 ft)	IRAM 2073	39M5068
Argentina, Australia, New Zealand, Papua New Guinea, Paraguay, Uruguay, Western Samoa	2.8 m (9 ft)	AS/NZS 3112/2000	39M5102
Bangladesh, Burma, Pakistan, South Africa, Sri Lanka	2.8 m (9 ft)	SABS 164	39M5144
Chile, Ethiopia, Italy, Libya, Somalia	2.8 m (9 ft)	CEI 23-16	39M5165
People's Republic of China	2.8 m (9 ft)	GB 2099.1	39M5206
Denmark	2.8 m (9 ft)	DK2-5a	39M5130
Israel	2.8 m (9 ft)	SI 32	39M5172
Liechtenstein, Switzerland	2.8 m (9 ft)	IEC 60884 Std. Sheet 41653472 (CH Type 12)	39M5158

Country or region	Length	Connection type (attached plug designed for 200 - 240 V ac input)	Part number
Thailand	2.8 m (9 ft)	NEMA 6-15P	39M5095

Chapter 2. Removing and replacing parts

You can remove and replace field-replaceable units (FRUs) from the SAN Volume Controller, redundant ac-power switch, and uninterruptible power supply.

Each FRU has its own removal procedure. Sometimes you can find that a step within a procedure might refer you to a different remove/replace procedure. You might want to complete the new procedure before you continue with the first procedure that you started.

Remove or replace parts only when you are directed to do so by the *IBM System Storage SAN Volume Controller Troubleshooting Guide*. Start all problem determination and repair procedures with MAP 5000.

Enabling concurrent maintenance

To allow concurrent maintenance, SAN Volume Controllers must be configured in pairs.

While one SAN Volume Controller is being serviced, the other keeps the I/O group operational. With concurrent maintenance, all field-replaceable units (FRUs) can be removed, replaced, and tested on one SAN Volume Controller while the SAN and host systems are powered on and doing productive work.

Attention: Do not remove the power from both SAN Volume Controllers unless the procedures instruct you to do so.

Perform the following checks to verify that concurrent maintenance is enabled.

It is particularly important to perform these checks if a node contains solid-state drives (SSDs) because volumes on the SSDs might not be mirrored.

1. Confirm that no hosts have dependencies on the node.

When shutting down a node that is part of a system or when deleting the node from a system, you can use either the management GUI or a command-line interface (CLI) command. In the management GUI, select **Monitoring > System > Manage**. Click **Show Dependent Volumes** to display all the volumes that are dependent on a node. You can also use the **node** parameter with the **ldependentvdisks** CLI command to view dependent volumes.

If dependent volumes exist, determine if the volumes are being used. If the volumes are being used, either restore the redundant configuration or suspend the host application. If a dependent quorum disk is reported, repair the access to the quorum disk or modify the quorum disk configuration.

2. Ensure that the host multipathing device drivers can fail over to the partner node.

Some host multipathing device drivers take a while to update after changes are made on the fabric. Do not shut down a node or delete the node from a cluster if the partner node in the I/O group to which the node belongs has not been online for more than 30 minutes.

If possible, check the status of the host multipathing device drivers before shutting down a node to ensure that the device drivers can fail over to the partner node.

When shutting down the node, see MAP 5350 in the *IBM System Storage SAN Volume Controller Troubleshooting Guide* for a description of how to check for dependencies on the node during the procedure to turn off the node.

When deleting a node from the cluster, see "Deleting a node from a cluster using the management GUI" in the *IBM System Storage SAN Volume Controller Troubleshooting Guide* for a description of node

information to retain to avoid data corruption when adding the node back to the cluster, how to ensure that the multipathing device driver does not rediscover any paths that are manually removed, and for other considerations regarding dependent volumes.

For more information about working with dependent volumes, see the following topics:

- "Listing node-dependent VDisks (volumes) using the CLI" in the *IBM System Storage SAN Volume Controller Troubleshooting Guide*
- "Isnodedependentvdisks" command description in the *IBM System Storage SAN Volume Controller and IBM Storwize V7000 Command-Line Interface User's Guide*

Preparing to remove and replace parts

Before you remove and replace parts, you must be aware of all safety issues.

Before you begin

First, read the safety precautions in the *IBM System Storage SAN Volume Controller Safety Notices*. These guidelines help you safely work with the SAN Volume Controller, redundant ac-power switch, and uninterruptible power supply.

Working inside the node with the power on

When you are servicing the SAN Volume Controller node, you might need to turn on the node while the cover is off.

Before you begin

Attention: Static electricity that is released to internal components when the node is turned on might cause the node to halt, which might result in the loss of data. To avoid this potential problem, always use an electrostatic-discharge wrist strap or other grounding system when you work inside the node with the power on.

About this task

You might be instructed to turn on the node and look at system-board LEDs while the cover is off. Follow these guidelines when you work inside a node that is turned on:

- Avoid wearing loose-fitting clothing on your forearms. Button long-sleeved shirts before working inside the server; do not wear cuff links while you are working inside the node.
- Do not allow your necktie or scarf to hang inside the node.
- Remove jewelry, such as bracelets, necklaces, rings, and loose-fitting wrist watches.
- Remove items from your shirt pocket, such as pens and pencils, that could fall into the node as you lean over it.
- Avoid dropping any metallic objects, such as paper clips, hairpins, and screws, into the node.

Removing and replacing SAN Volume Controller parts

The remove and replace procedures for the SAN Volume Controller field replaceable units are described in the topics that follow.

Removing the cable-management arm

You can remove the 2145-CF8 and 2145-CG8 cable-management arm from the rack.

Removing the 2145-CG8 and 2145-CF8 cable-management arm

Remove the cable-management arm that routes and secures the power cables and other cables.

About this task

Figure 9 shows the items that you need to install the SAN Volume Controller 2145-CG8 or 2145-CF8 node in a rack.

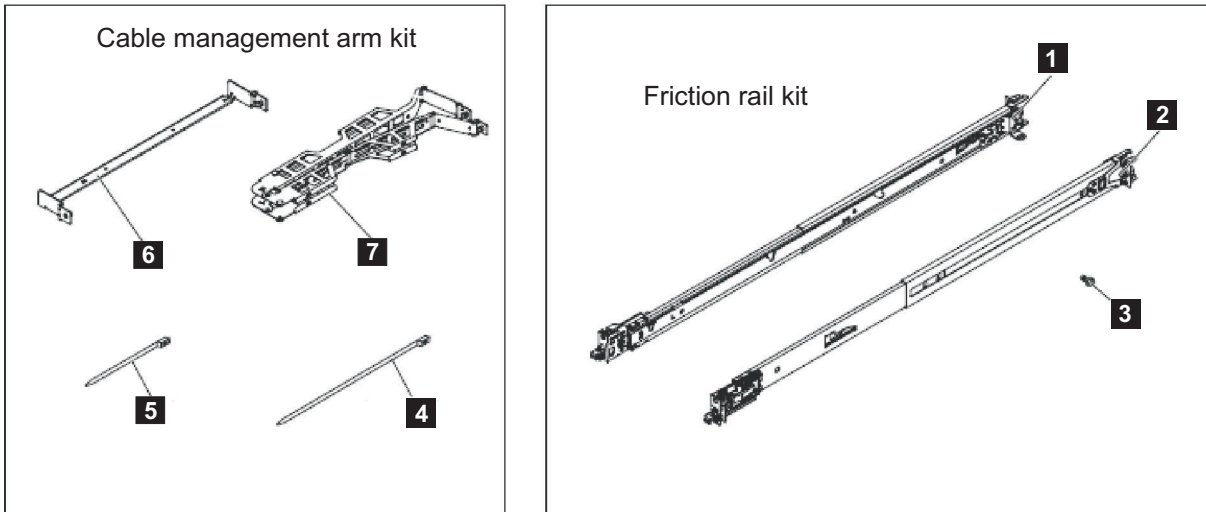


Figure 9. The cable-management arm, support rails, and associated parts of the 2145-CG8 and 2145-CF8

Table 25. Cable-management arm and associated parts descriptions and quantities

Reference	Description	Quantity
1	Slide rail (left)	1
2	Slide rail (right)	1
3	M6 screws	4
4	Large cable tie	1
5	Cable ties	5
6	Cable-management support arm	1
7	Cable-management arm assembly	1

To remove the cable-management arm, perform the following steps:

Procedure

1. Remove all power from the node, as described in MAP 5350 in the *IBM System Storage SAN Volume Controller Troubleshooting Guide*.
2. Disconnect all cables from the back of the node.
3. Slide the node away from the back of the rack.
 - a. Remove any optional M6 screws, as shown by **1** in Figure 10 on page 28, from the front of the node.
 - b. To release the node from the rack, press the orange release latches **2** and slide the node forward until it latches in the service position.

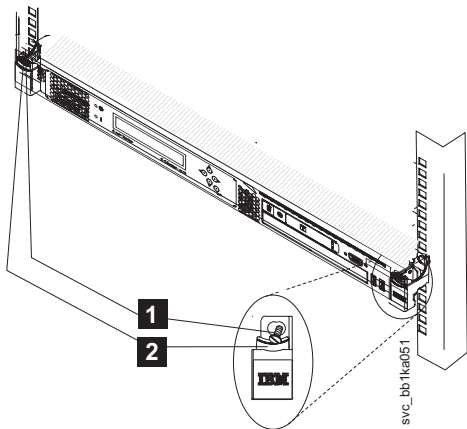


Figure 10. Release latches and mounting screws of the SAN Volume Controller 2145-CG8 or 2145-CF8

4. Disconnect the power cords and other cables from the cable-management arm.
 - a. Remove the cable ties or hook-and-loop fasteners.
 - b. Free the cables and power cords from the cable-management arm, as shown by **1** in Figure 11.

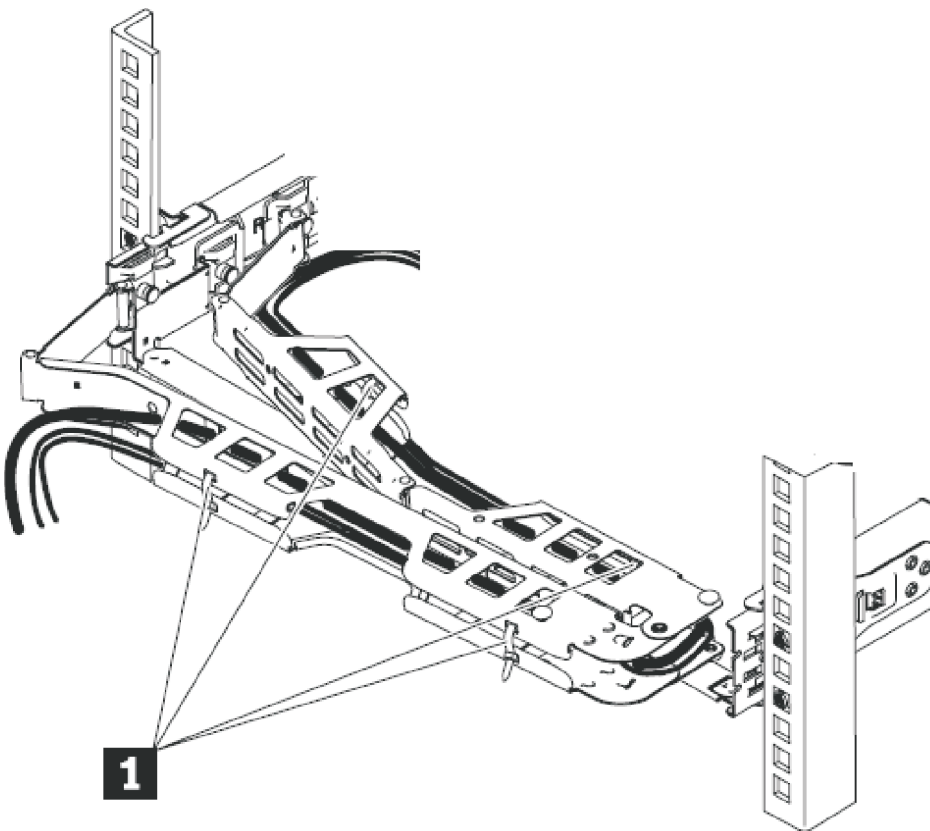


Figure 11. Removing the cables from the cable-management arm

5. Remove the cable-management arm from the support arm.
 - a. Remove the cable-management arm by pulling out both cable-management-arm pins while sliding the tabs out of the mounting location, as shown in Figure 12 on page 29.
 - b. Pull each cable-management-arm tab until it is free from the slide rail.

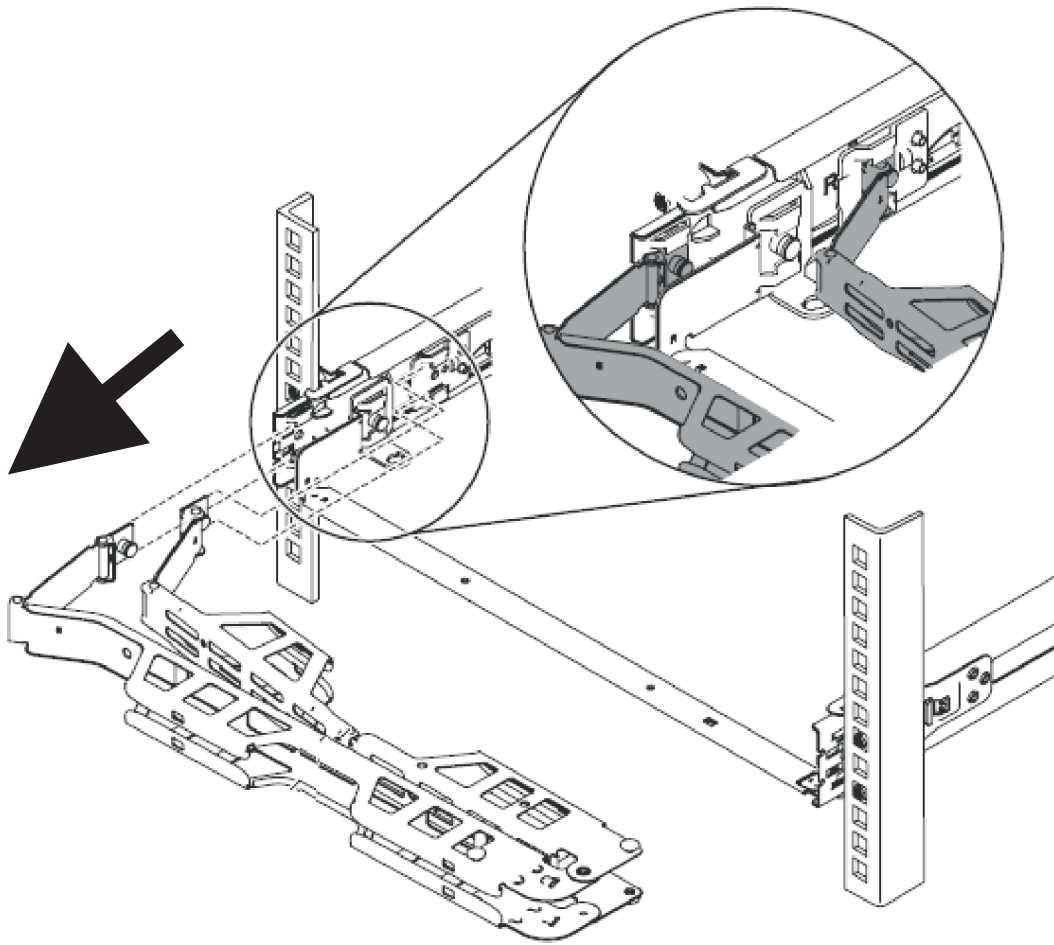


Figure 12. Removing the cable-management arm

6. At the rear of the rack, remove the cable-management-support arm.
Pull the pin and remove each end of the cable-management-support arm from the slide rail, as shown by Figure 13 on page 30.

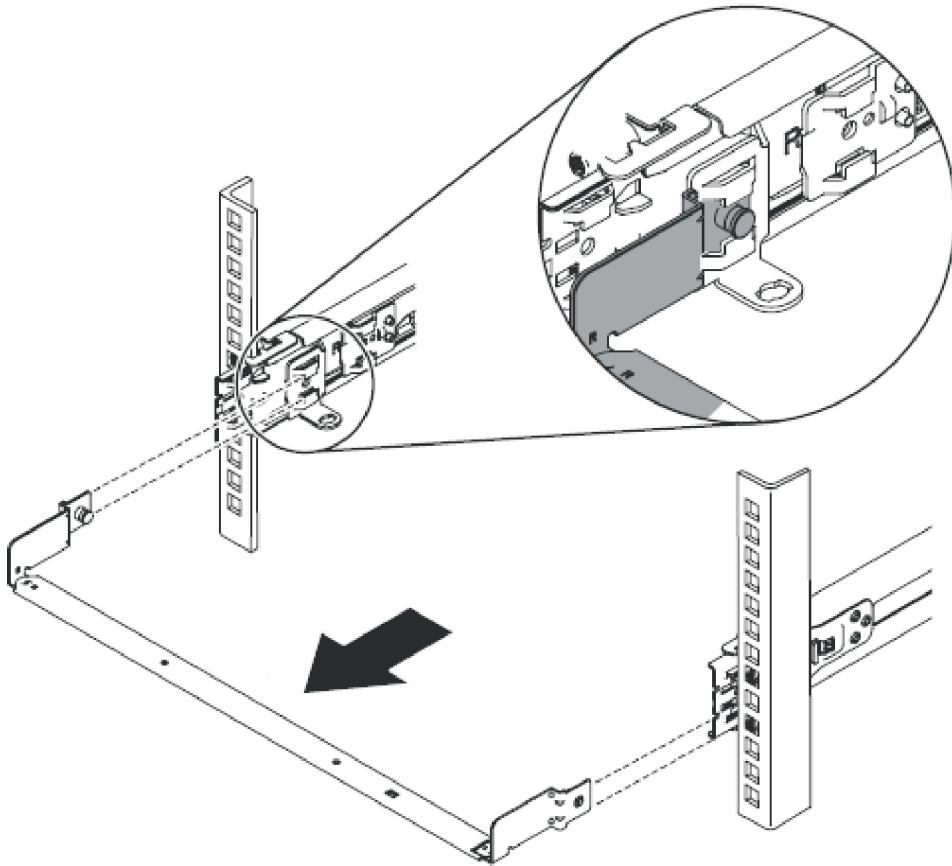


Figure 13. Removing the cable-management-support arm

Replacing the cable-management arm

Replace the cable-management arm after you install the 2145-CG8 or 2145-CF8 node into the rack.

Replacing the 2145-CG8 and 2145-CF8 cable-management arm

The SAN Volume Controller 2145-CG8 or 2145-CF8 use a cable-management arm to route and secure power cables and other cables.

Before you begin

Replace the cable-management arm after you replace the node in the rack.

About this task

To attach the cable-management arm, perform the following steps:

Procedure

1. At the rear of the rack, install the cable-management-support arm.
Insert both ends of the cable management support arm into the slide rail, as shown by Figure 14 on page 31.

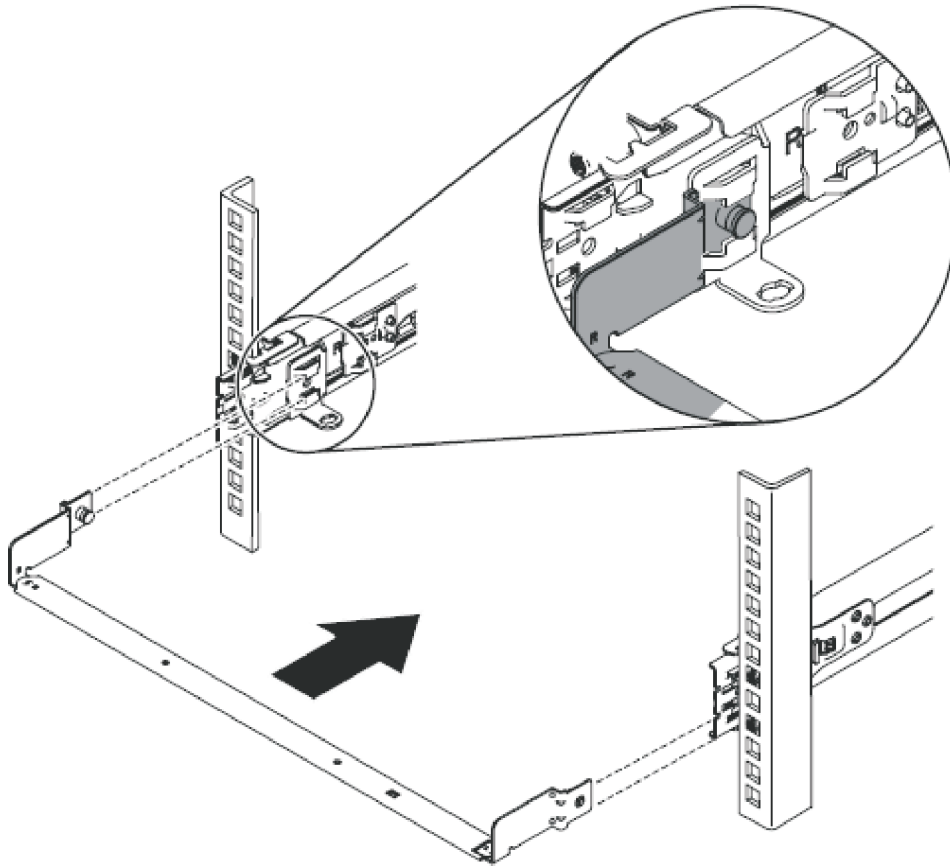


Figure 14. Installing the cable-management-support arm

2. Install the cable management arm, as shown in Figure 15 on page 32.

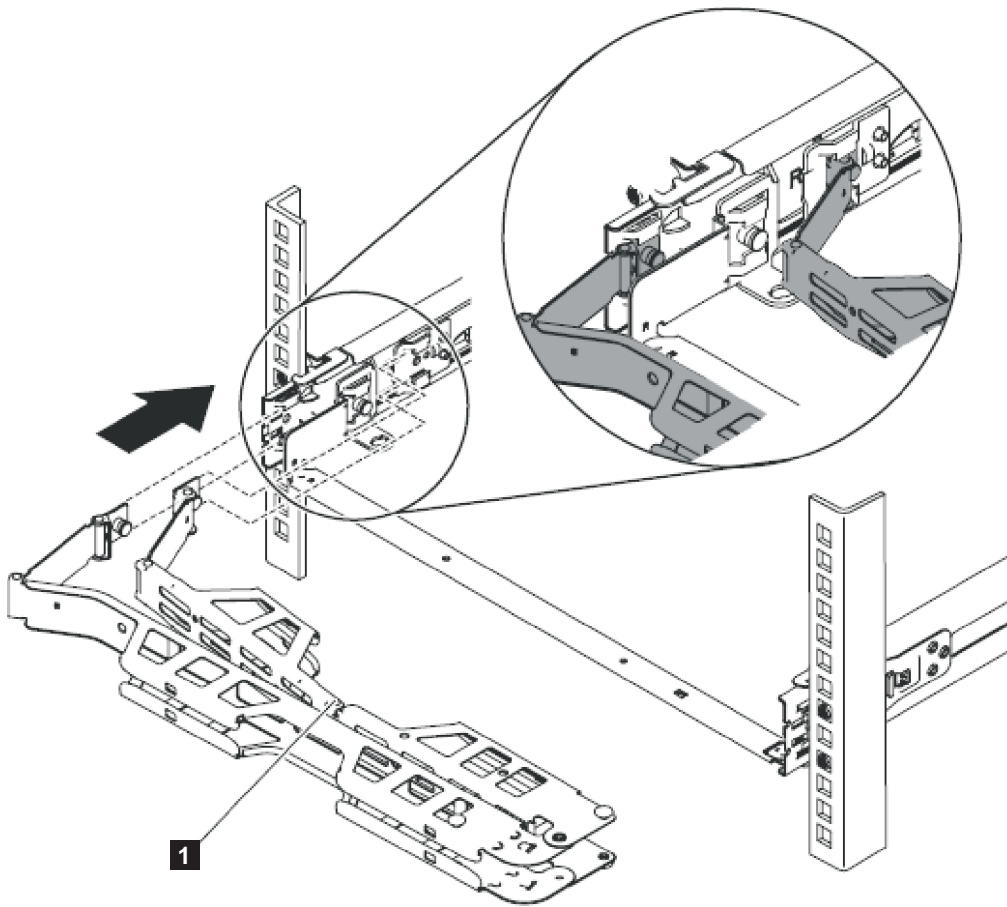


Figure 15. Installing the cable-management arm

Note: Make sure that the junctions on the arm, as shown by **1** in Figure 15, are facing the node. Place the cable management arm on the support arm. Pull out both cable-management-arm pins and then slide the cable-management-arm tabs into the slots on both the inside and the outside of the slide rail. Push the tabs until they snap into place.

3. Adjust the location of the cable management arm, as shown in Figure 16 on page 33.

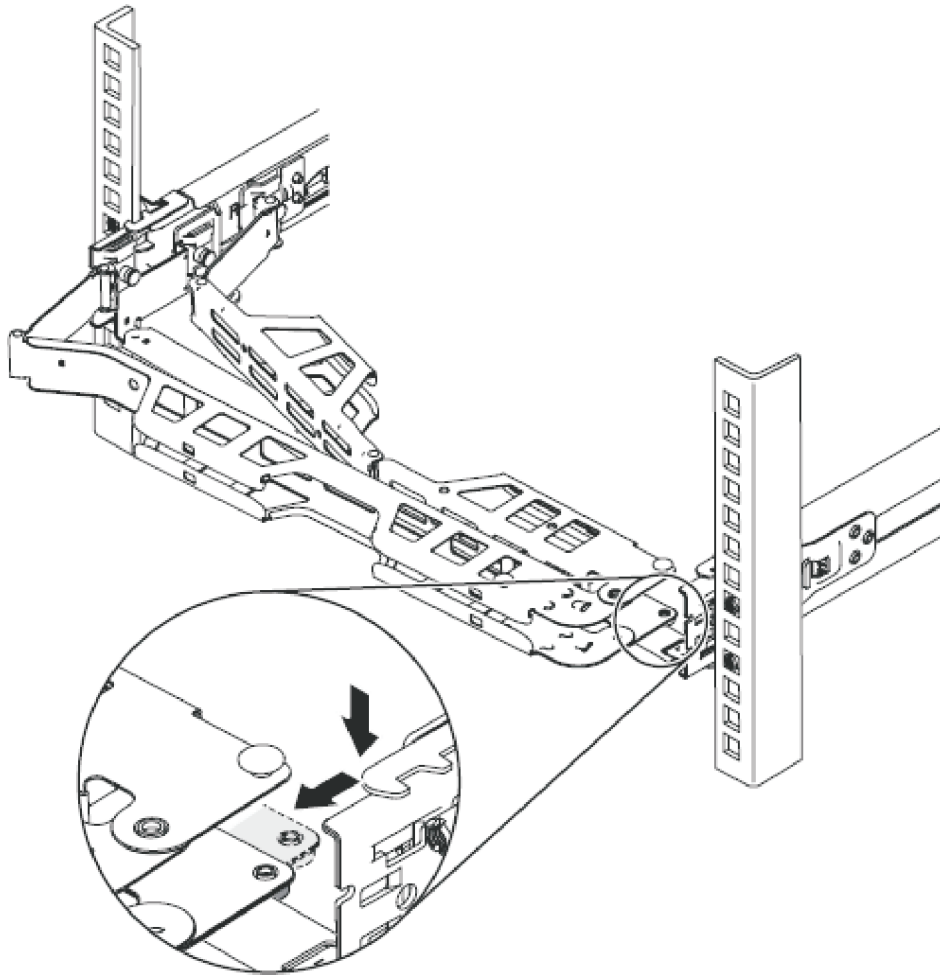


Figure 16. Adjusting the location of the cable-management arm

Ensure that the support rail is located between the 2 nailhead features.

4. Attach the power-and-serial-cable bundle, the Fibre Channel cables, and the one or two Ethernet cables to the rear of the node.
 - a. Route the data cables and power cords on the cable-management arm, as shown by **1** in Figure 17 on page 34.

If you attach the arm properly and route the cables properly, the arm swings into the rack as you pull the node forward in the rack, opening to allow the cables to follow the node toward the front of the rack. You can perform some service procedures without disconnecting the Fibre Channel cables and the Ethernet cables. You can also perform some service procedures without turning off the node or disconnecting the power cables.

- b. Secure the cables with cable ties or hook-and-loop fasteners.

Note: Leave some slack in all of the cables to avoid tension in the cables as the cable-management arm moves.

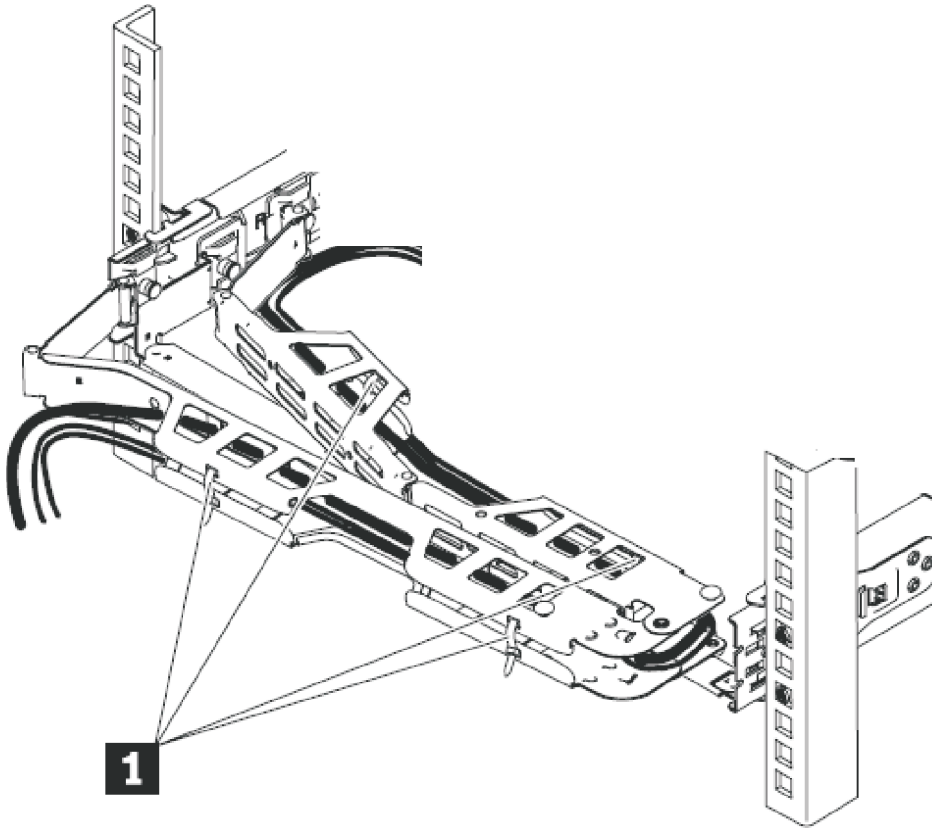


Figure 17. Connecting and routing the cables

5. Slide the node into the rack until it snaps into place.
6. Connect all cables to the back of the node.

Removing the cable-retention bracket

The SAN Volume Controller models 2145-CG8, 2145-CF8, 2145-8A4, 2145-8G4, 2145-8F4, and 2145-8F2 provide a cable-retention bracket, which ensures that the node does not mistakenly become unplugged from the uninterruptible power supply.

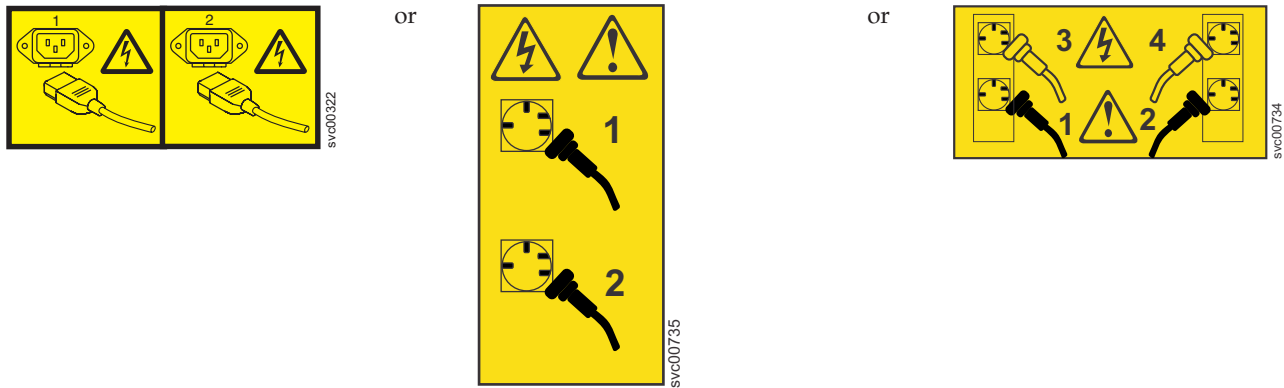
Removing the SAN Volume Controller 2145-CG8 or 2145-CF8 cable-retention brackets

You must remove the two SAN Volume Controller 2145-CG8 or 2145-CF8 cable-retention brackets when removing the power cords from the node.

Before you begin

DANGER

Multiple power cords. The product might be equipped with multiple power cords. To remove all hazardous voltages, disconnect all power cords. (L003)



About this task

The SAN Volume Controller 2145-CG8 or 2145-CF8 uses two toolless cable-retention brackets. One cable retention bracket routes a cable to the uninterruptible power-supply. Another bracket routes a cable to one of the two SAN Volume Controller 2145-CG8 or 2145-CF8 power supplies, as shown in the following figure.

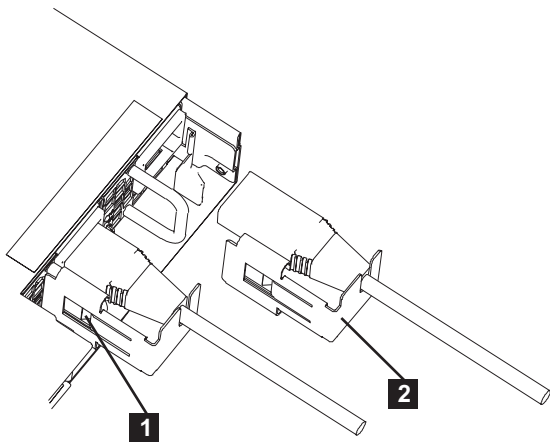


Figure 18. Cable-retention brackets

Each cable-retention bracket attaches to the back of the SAN Volume Controller 2145-CG8 or 2145-CF8 node. The brackets connect without screws.

This service action requires you to:

- Optionally, turn off the node.
- Disconnect the power cable that the retention bracket is on.

To remove a cable-retention bracket, perform these steps:

Procedure

1. Read the safety information to which “Preparing to remove and replace parts” on page 26 refers.
2. Optional: Follow the procedure in MAP 5350 in the *IBM System Storage SAN Volume Controller Troubleshooting Guide* to verify that the node data is mirrored and synchronized, and that there are no dependent volumes before turning off the node.

Important: If you decide to hot swap a power supply, and that is why you are removing the cable retention bracket, use MAP 5350 to make all of the necessary checks that ensure that the partner node in the I/O group can take over all I/O group operations, if necessary, and that there are no dependent VDisks on the node. With the partner node available and no dependent VDisks on the node, you do not lose access to data if this node accidentally powers off.

3. Pull back the cable-management arm if you are working from the rear of the rack, or slide the node out of the rack to the fully extended rail position if you are working from the front.
4. When the node is turned off, from under the cable, carefully push the spring clip away from the cable to free the cable-retention bracket from the handle on the power supply.
The spring clip is shown by **1** in Figure 18 on page 35.
5. Pull both the bracket and the cable (**2**) away from the SAN Volume Controller 2145-CG8 or 2145-CF8 power supply.

Note: When you replace the power cords on the node, remember to replace the cable retention brackets.

6. Remove the cable-retention bracket from the power cord.

Removing the SAN Volume Controller 2145-8A4 cable retention bracket

The cable-retention bracket attaches to the back of the SAN Volume Controller 2145-8A4 node. It is connected with one screw that already holds the rear plate of the power supply in place.

Before you begin

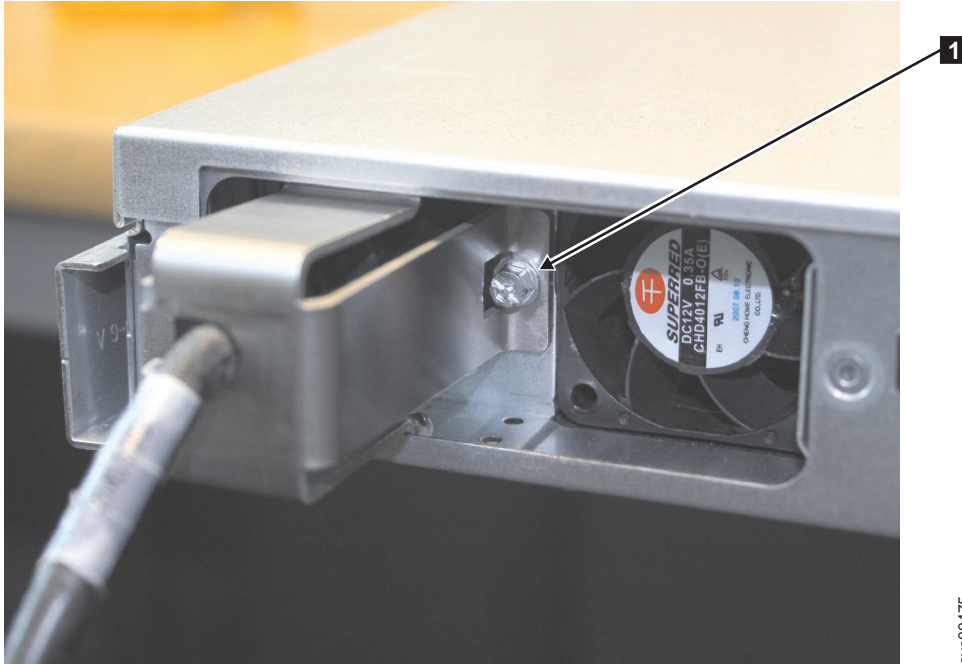
Remove the cable-retention bracket before you remove the SAN Volume Controller 2145-8A4 node from the rack.

About this task

To remove the bracket from the node, perform the following steps:

Procedure

1. With the node turned off, unscrew the retaining screw **1**, shown in Figure 19 on page 37, half a turn, but do not fully loosen or remove it.



svc00475

Figure 19. SAN Volume Controller 2145-8A4 with the cable-retention bracket installed

2. Slide the bracket to the right just enough to disengage the screw.
3. Squeeze the top and bottom of the bracket together slightly and turn the bracket at a slight angle to remove both lips of the bracket from the node frame.
4. Slide the bracket back onto the power cable and then slide it off the cable.
5. Remove the power cable.

Removing the SAN Volume Controller 2145-8G4 cable retention bracket

Before you begin

The SAN Volume Controller 2145-8G4 uses one of two different cable-retention brackets. Depending on which bracket you have, use the appropriate instructions to remove and replace the cable-retention bracket.

- If your cable-retention bracket looks like the bracket in Figure 20 on page 38, go to “Removing the SAN Volume Controller 2145-8G4 cable retention bracket - option A” on page 38.



svc00363

Figure 20. SAN Volume Controller 2145-8G4 cable retention bracket - type A

- If your cable-retention bracket looks like the bracket in Figure 21, go to “Removing the SAN Volume Controller 2145-8G4 cable retention bracket - option B” on page 39.



svc00362

Figure 21. SAN Volume Controller 2145-8G4 cable retention bracket - type B

Removing the SAN Volume Controller 2145-8G4 cable retention bracket - option A:

The cable-retention bracket attaches to the back of the SAN Volume Controller 2145-8G4 node. It is connected with the screws that already hold the rear plate of the power supply in place.

Before you begin

Remove the cable-retention bracket before you remove the SAN Volume Controller 2145-8G4 node from the rack.

About this task

To remove the cable-retention bracket, perform these steps:

Procedure

1. Carefully remove the two retaining screws on the right side of the power supply rear plate shown in Figure 22.

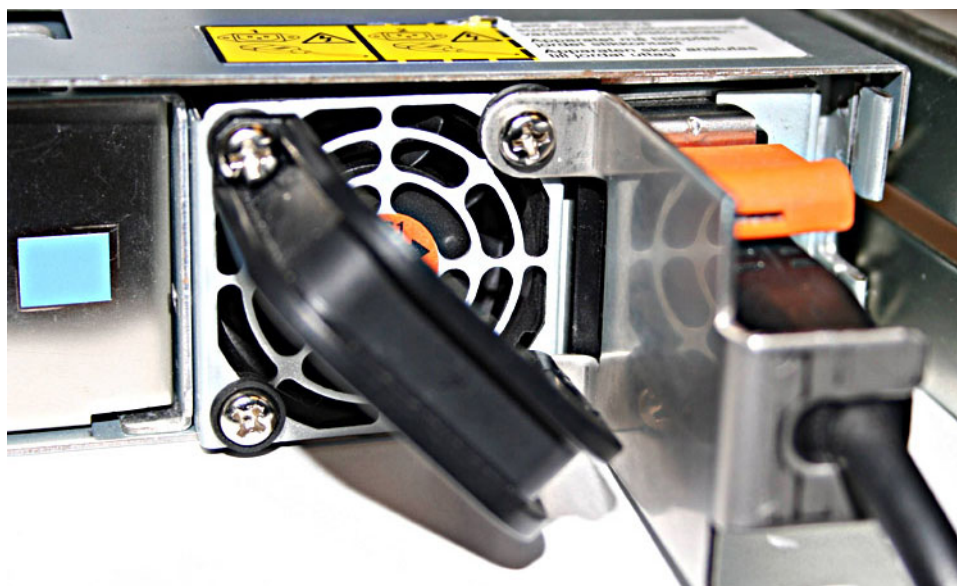


Figure 22. The SAN Volume Controller 2145-8G4 with the cable-retention bracket attached

2. Remove the bracket.
3. Replace the screws in the power supply rear plate.

Removing the SAN Volume Controller 2145-8G4 cable retention bracket - option B: Before you begin

Remove the cable-retention bracket before you remove the SAN Volume Controller 2145-8G4 from the rack.

About this task

To remove the cable-retention bracket, perform these steps:

Procedure

1. Remove the securing bolt from the node side rail (shown in Figure 23 on page 40) next to the power supply.

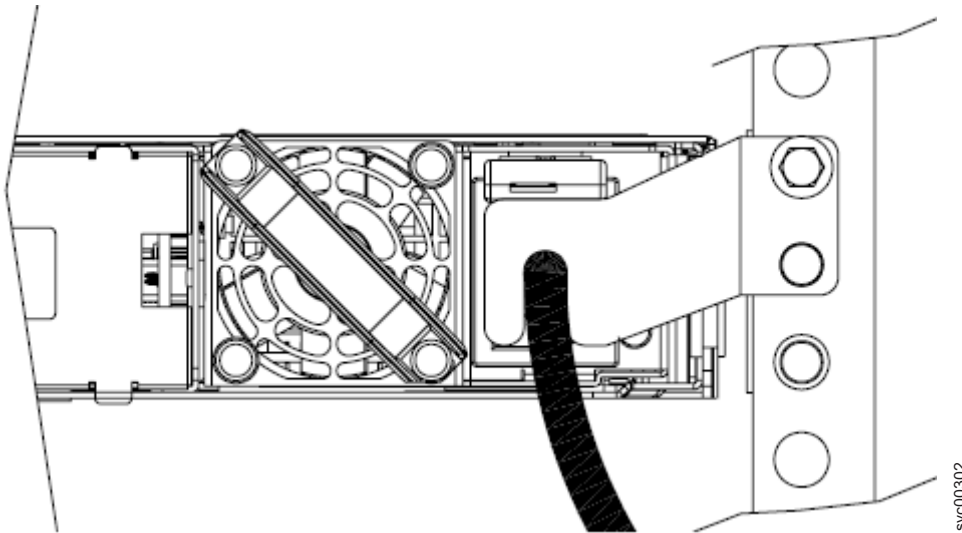


Figure 23. The SAN Volume Controller 2145-8G4 with cable-retention bracket type B attached

2. Remove the bracket.
3. Replace the bolt in the node side rail.

Removing the SAN Volume Controller 2145-8F4 cable retention bracket

The cable-retention bracket attaches to the back of the SAN Volume Controller 2145-8F4 node. It is connected with one screw that already holds the rear plate of the power supply in place.

Before you begin

Remove the cable-retention bracket before you remove the SAN Volume Controller 2145-8F4 node from the rack.

About this task

To remove the bracket from the node, perform the following steps:

Procedure

1. With the node turned off, pull the cable-retention bracket backward slightly to disengage the bracket from the slot at the rear of the support rail.
2. Slide the bracket out of the support rail and then move it to the right away from the cable.
3. Remove the power cable.

Replacing the cable-retention bracket

Replace the cable-retention bracket after you install SAN Volume Controller model 2145-8A4, 2145-8G4, or 2145-8F4 into the rack.

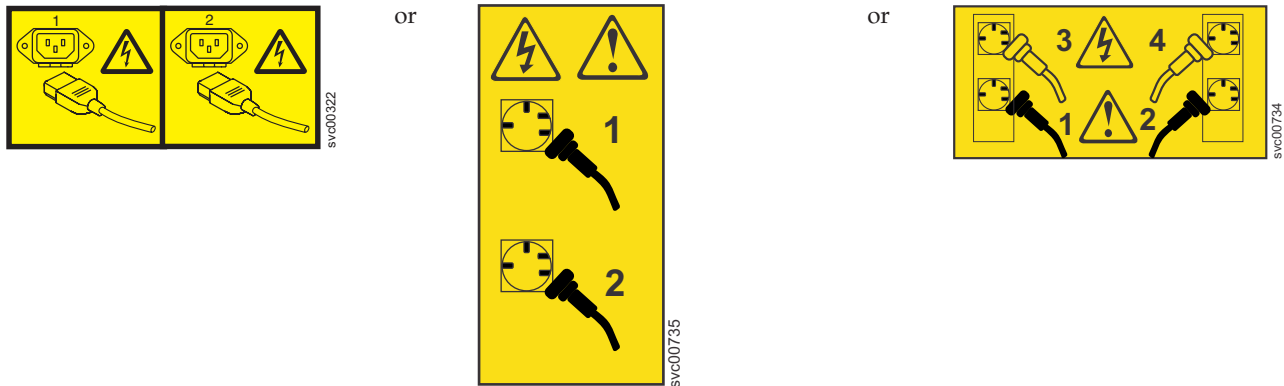
Replacing the SAN Volume Controller 2145-CG8 or 2145-CF8 cable-retention brackets

Replace one of the two cable-retention brackets on the back of the SAN Volume Controller 2145-CG8 or 2145-CF8 to anchor the power cord that runs from the uninterruptible power-supply to one of the two SAN Volume Controller 2145-CG8 or 2145-CF8 power supplies.

Before you begin

DANGER

Multiple power cords. The product might be equipped with multiple power cords. To remove all hazardous voltages, disconnect all power cords. (L003)



About this task

The SAN Volume Controller 2145-CG8 or 2145-CF8 uses two toolless cable-retention brackets, one to retain each cable from the uninterruptible power-supply to one of the two SAN Volume Controller 2145-CG8 or 2145-CF8 power supplies, as shown in Figure 24.

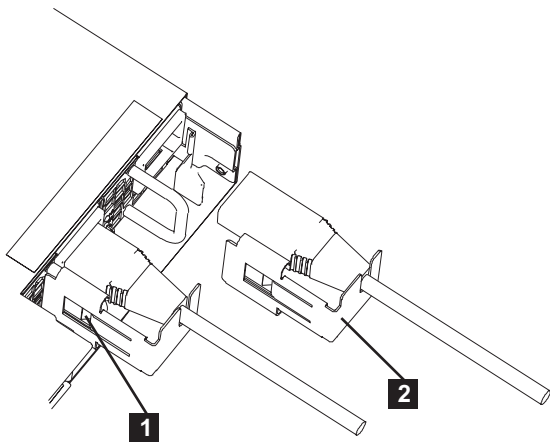


Figure 24. Cable-retention brackets

Each cable-retention bracket attaches to the back of the SAN Volume Controller 2145-CG8 or 2145-CF8 node. The brackets connect without screws.

To replace each cable-retention bracket, perform these steps:

Procedure

1. If you removed the node from the rack, replace the node in the rack, as described in “Replacing the SAN Volume Controller in a rack” on page 58.
2. If you removed any Fibre Channel or Ethernet cables, use the labels you placed on each cable to replace all Fibre Channel and Ethernet cables in the same ports from which they were removed.

3. Loosely install the cable-retention bracket on a power cord by slipping the power cord into the notch on the rear of the bracket.
4. Align the cable-retention bracket on the power cord so that the bracket is to the left of the cord, as shown by **2** in Figure 24 on page 41.
5. Align the power cord with the power connector on the power supply and the bracket with the power-supply handle.
6. Push the power cord into the power connector on the power supply.
7. Carefully push the bracket against the power-supply handle to force the spring clip (**1**) over the leading edge of the handle.

Replacing the SAN Volume Controller 2145-8A4 cable retention bracket

Before you begin

The cable-retention bracket attaches to the back of the SAN Volume Controller 2145-8A4 node. It is connected to the back of the node with the screw that already holds the rear plate of the power supply in place.

About this task

To attach the bracket, perform the following steps:

Procedure

1. Insert the power cable in the node.
2. Unscrew the retaining screw **1** that is located next to the power cable socket three full turns, but do not fully remove the screw, as shown in Figure 25.

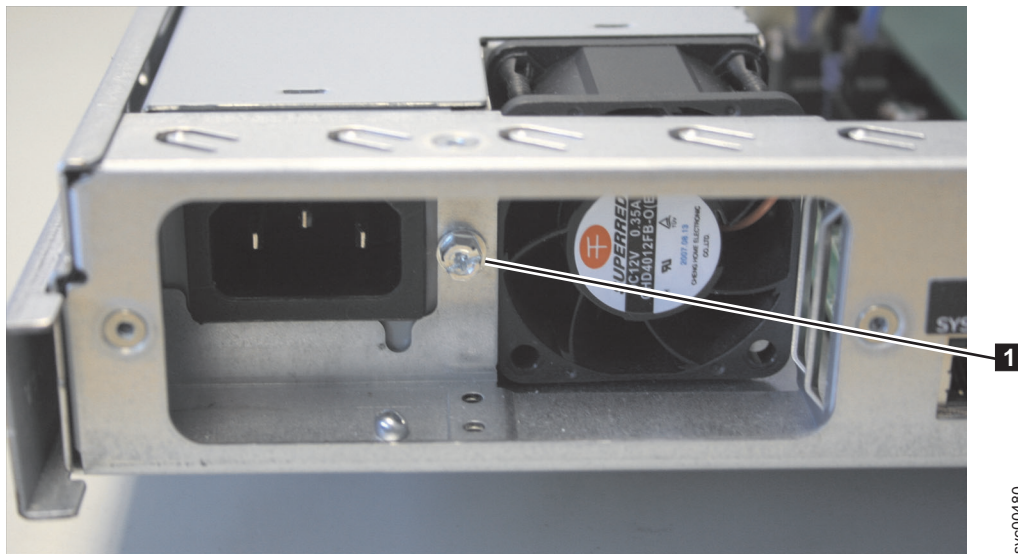


Figure 25. Retaining screw on the SAN Volume Controller 2145-8A4 node

3. Slide the bracket jaw over the power cable.
4. Slide the bracket down the cable until it is next to the power plug and slightly to the right of where it needs to be.
5. Place the bottom lip of the retention bracket in the node chassis as shown in Figure 26 on page 43. Turn the bracket at a slight angle, squeeze the top and bottom together, and position the top lip in place behind the chassis backplane.

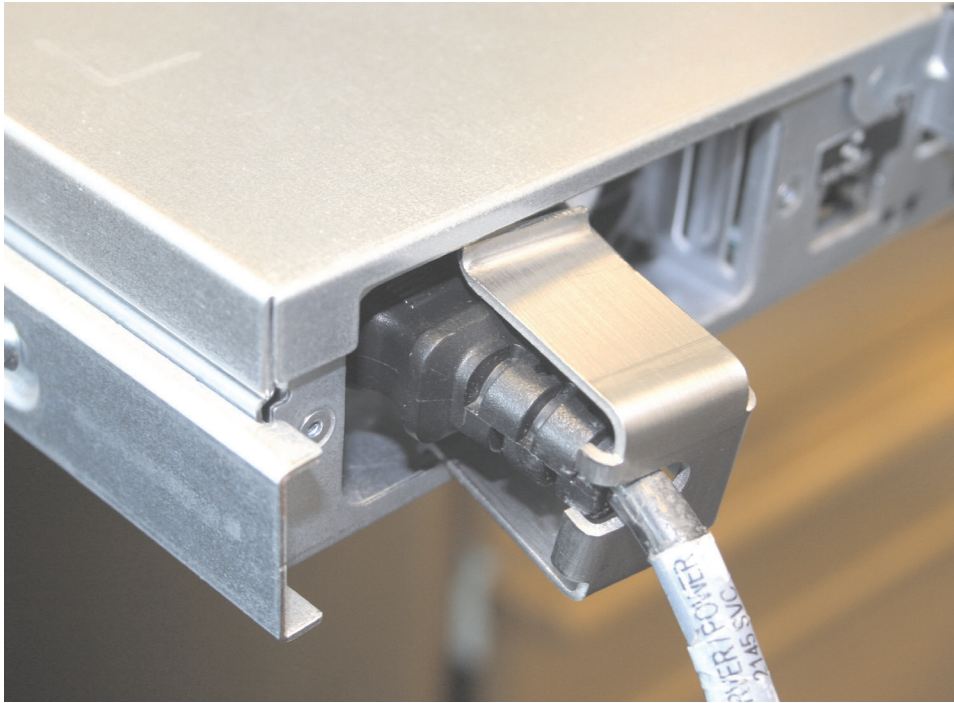


Figure 26. Installing the SAN Volume Controller 2145-8A4 cable retention bracket

6. Slide the bracket to the left until the side lip of the retention bracket goes behind the screw. Tighten the screw.

Replacing the SAN Volume Controller 2145-8G4 cable retention bracket

The SAN Volume Controller 2145-8G4 uses one of two different cable-retention brackets. Depending on which bracket you have, use the appropriate instructions to remove and replace the cable-retention bracket.

Before you begin

- If your cable-retention bracket looks like the following, go to “Replacing the cable-retention bracket - option A” on page 44.



Figure 27. SAN Volume Controller 2145-8G4 cable retention bracket - type A

- If your cable-retention bracket looks like the following, go to “Replacing the cable-retention bracket - option B” on page 45.



Figure 28. SAN Volume Controller 2145-8G4 cable retention bracket - type B

Replacing the cable-retention bracket - option A:

The cable-retention bracket attaches to the back of the SAN Volume Controller 2145-8G4 node. It is connected with the screws that already hold the rear plate of the power supply in place.

Before you begin

Replace the SAN Volume Controller 2145-8G4 cable retention bracket after you replace the node in the rack.

About this task

To attach the bracket to the rack rail, perform the following steps:

Procedure

1. With the node powered off and the power cable removed, loosen and remove the two screws **1** on the right side of the rear plate that covers the power supply fan unit, as shown in Figure 29.

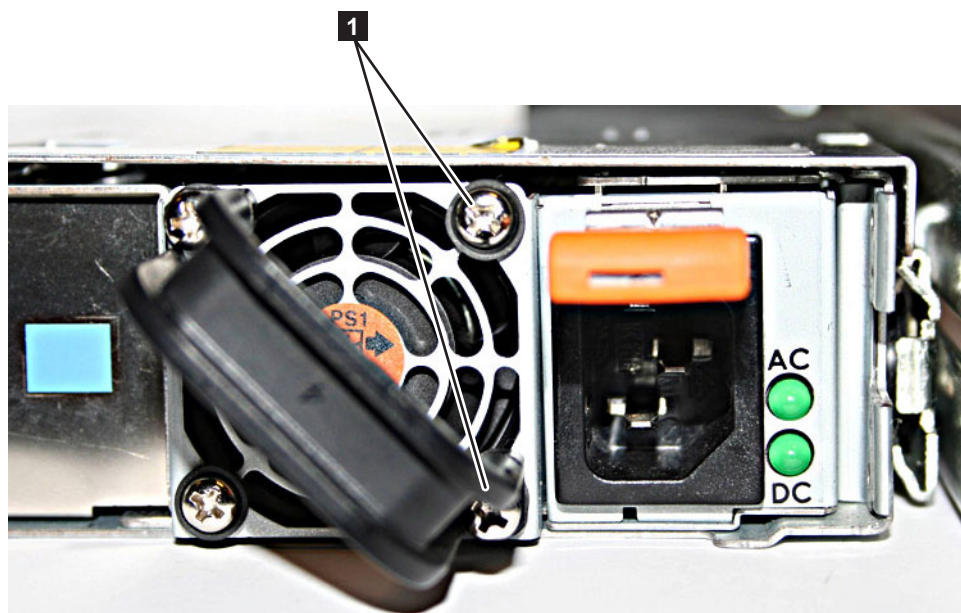


Figure 29. The SAN Volume Controller 2145-8G4 before you attach the cable-retention bracket

2. Rotate the power supply handle out of the way.
3. Insert the power cable.
4. Position the cable-retention bracket so that the power cable runs through the slot in the bracket. Align the screw holes in the bracket with the holes that are in the rear plate where you removed the two screws.
5. Replace the top screw.
6. Move the power supply handle back into place over the retention bracket, and replace the lower screw so that it holds the power supply handle, cable-retention bracket, and power supply rear plate in place.

Replacing the cable-retention bracket - option B: Before you begin

Replace the SAN Volume Controller 2145-8G4 cable retention bracket after you replace the node in the rack.

Install the SAN Volume Controller 2145-8G4 cable retention bracket after you install the node in the rack.

About this task

To attach the bracket to the rack rail, perform the following steps:

Procedure

1. Install the power cable into the power supply.
2. At the back of the cabinet, remove the securing bolt from the node side rail next to the power supply, as shown in Figure 30.

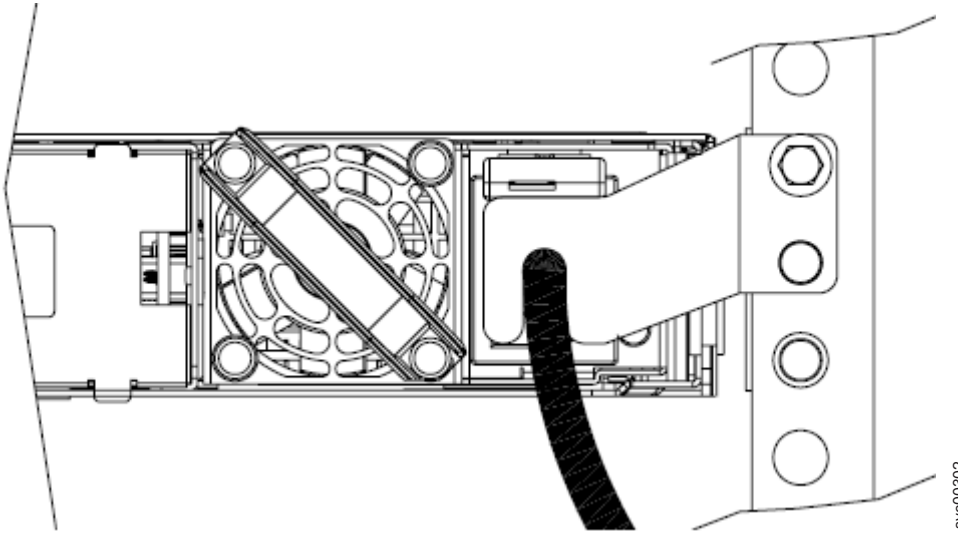


Figure 30. The SAN Volume Controller 2145-8G4 with cable-retention bracket type B attached

3. Slide the cable-retention bracket over the cable and position it over the side rail. Secure it in place using the original bolt.

Replacing the SAN Volume Controller 2145-8F4 cable retention bracket

Before you begin

The cable-retention bracket attaches to the support rail at the back of the SAN Volume Controller 2145-8F4 node.

About this task

To attach the bracket, perform the following steps:

Procedure

1. Insert the power cable in the node.
2. Insert the bracket onto the power cable so that the power cable is held by the slot on the end of the bracket. Figure 31 on page 47 provides a view of how to align the cable-retention bracket with the cable.



Figure 31. Attaching the cable retention bracket to the SAN Volume Controller 2145-8F4 power cable

3. Position the cable-retention bracket against the support rail and attach the bracket onto the slot in the rear of the rail.

Removing the SAN Volume Controller from a rack

During some service procedures, you might need to remove the SAN Volume Controller from a rack.

Turning off the SAN Volume Controller node

When instructed to do so, shut down and turn off the SAN Volume Controller node before you remove and replace parts.

Before you begin

For information about how to turn off the SAN Volume Controller and retain access to its data, see MAP 5350 in the *IBM System Storage SAN Volume Controller Troubleshooting Guide*.

Attention: Unless host systems or Fibre Channel switches must be switched off for another reason, do not turn them off when you are servicing the SAN Volume Controller. Shut down the SAN Volume Controller before you remove the power cables. You can connect or disconnect Ethernet and Fibre Channel cables at any time.

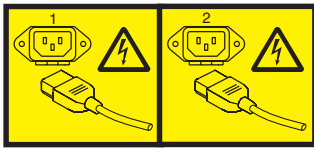
Removing the 2145-CG8 or 2145-CF8 from a rack

Use these instructions when you are prompted to remove a 2145-CG8 or 2145-CF8 from a rack.

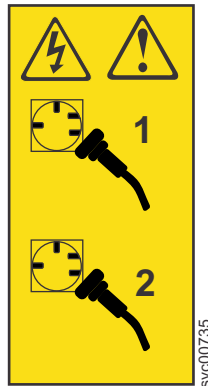
Before you begin

DANGER

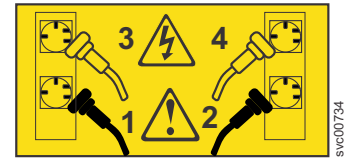
Multiple power cords. The product might be equipped with multiple power cords. To remove all hazardous voltages, disconnect all power cords. (L003)



or



or



Attention: Do not touch the power control switches on adjacent SAN Volume Controller nodes when you remove or install SAN Volume Controller nodes in a rack. Touching these switches on adjacent SAN Volume Controller nodes might cause those devices to turn off and make customer data inaccessible.

Use the reference numbers in parentheses at the end of each notice, such as (C003) for example, to find the matching translated notice in *IBM System Storage SAN Volume Controller Safety Notices*.

DANGER

Observe the following precautions when working on or around your IT rack system:

- Heavy equipment—personal injury or equipment damage might result if mishandled.
- Always lower the leveling pads on the rack cabinet.
- Always install stabilizer brackets on the rack cabinet.
- To avoid hazardous conditions due to uneven mechanical loading, always install the heaviest devices in the bottom of the rack cabinet. Always install servers and optional devices starting from the bottom of the rack cabinet.
- Rack-mounted devices are not to be used as shelves or work spaces. Do not place objects on top of rack-mounted devices.



- Each rack cabinet might have more than one power cord. Be sure to disconnect all power cords in the rack cabinet when directed to disconnect power during servicing.
- Connect all devices installed in a rack cabinet to power devices installed in the same rack cabinet. Do not plug a power cord from a device installed in one rack cabinet into a power device installed in a different rack cabinet.
- An electrical outlet that is not correctly wired could place hazardous voltage on the metal parts of the system or the devices that attach to the system. It is the responsibility of the customer to ensure that the outlet is correctly wired and grounded to prevent an electrical shock.

(R001 part 1 of 2)

DANGER

- Do not install a unit in a rack where the internal rack ambient temperatures will exceed the manufacturer's recommended ambient temperature for all your rack-mounted devices.
- Do not install a unit in a rack where the air flow is compromised. Ensure that air flow is not blocked or reduced on any side, front, or back of a unit used for air flow through the unit.
- Consideration should be given to the connection of the equipment to the supply circuit so that overloading of the circuits does not compromise the supply wiring or overcurrent protection. To provide the correct power connection to a rack, refer to the rating labels located on the equipment in the rack to determine the total power requirement of the supply circuit.
- (For sliding drawers) Do not pull out or install any drawer or feature if the rack stabilizer brackets are not attached to the rack. Do not pull out more than one drawer at a time. The rack might become unstable if you pull out more than one drawer at a time.
- (For fixed drawers) This drawer is a fixed drawer and must not be moved for servicing unless specified by the manufacturer. Attempting to move the drawer partially or completely out of the rack might cause the rack to become unstable or cause the drawer to fall out of the rack.

(R001 part 2 of 2)

About this task

Important:

You can perform most service actions when the node is fully extended from the rack on its slide rails.

To remove the 2145-CG8 or 2145-CF8 from the rack, complete these steps:

Procedure

1. Follow the procedure in MAP 5350 in the *IBM System Storage SAN Volume Controller Troubleshooting Guide* to verify that the node data is mirrored and synchronized, and that there are no dependent volumes before turning off the node.
2. Pull back the cable-management arm if you are working from the rear of the rack, or slide the node out of the rack to the fully extended rail position if you are working from the front.
3. To make sure that you can replace all cables in the same ports from which they were removed, record the position of all Fibre Channel and Ethernet cables; then remove all cables from the back of the node.
4. Pull forward the two white catches (**1** in Figure 32 on page 51) on the side of the rails, and lift up the front of the node very slightly.
5. Support the node from the front and the back and pull the node forward slightly and lift to remove the node from the back of the rails (**3**).

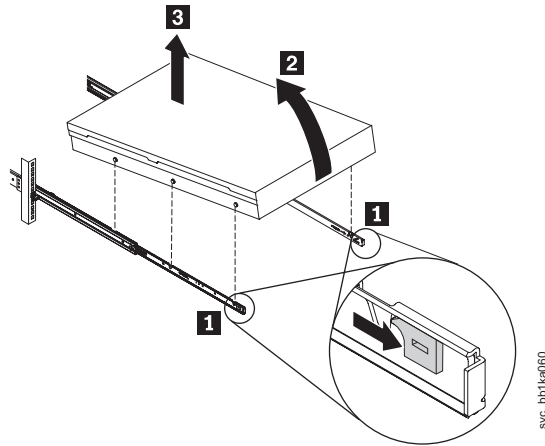


Figure 32. Removing the 2145-CG8 or 2145-CF8 from the rack

Removing the SAN Volume Controller 2145-8A4 from a rack

Use these instructions when you are prompted to remove a SAN Volume Controller 2145-8A4 from a rack.

Before you begin

If the SAN Volume Controller is not already turned off, see "Turning off the SAN Volume Controller node" in the *IBM System Storage SAN Volume Controller Troubleshooting Guide*.

Attention: Do not touch the power control switches on adjacent SAN Volume Controller nodes when you remove or install SAN Volume Controller nodes in a rack. Touching these switches on adjacent SAN Volume Controller nodes might cause those devices to turn off and make customer data inaccessible.

Use the reference numbers in parentheses at the end of each notice, such as (C003) for example, to find the matching translated notice in *IBM System Storage SAN Volume Controller Safety Notices*.

DANGER

Observe the following precautions when working on or around your IT rack system:

- Heavy equipment—personal injury or equipment damage might result if mishandled.
- Always lower the leveling pads on the rack cabinet.
- Always install stabilizer brackets on the rack cabinet.
- To avoid hazardous conditions due to uneven mechanical loading, always install the heaviest devices in the bottom of the rack cabinet. Always install servers and optional devices starting from the bottom of the rack cabinet.
- Rack-mounted devices are not to be used as shelves or work spaces. Do not place objects on top of rack-mounted devices.



- Each rack cabinet might have more than one power cord. Be sure to disconnect all power cords in the rack cabinet when directed to disconnect power during servicing.
- Connect all devices installed in a rack cabinet to power devices installed in the same rack cabinet. Do not plug a power cord from a device installed in one rack cabinet into a power device installed in a different rack cabinet.
- An electrical outlet that is not correctly wired could place hazardous voltage on the metal parts of the system or the devices that attach to the system. It is the responsibility of the customer to ensure that the outlet is correctly wired and grounded to prevent an electrical shock.

(R001 part 1 of 2)

DANGER

- Do not install a unit in a rack where the internal rack ambient temperatures will exceed the manufacturer's recommended ambient temperature for all your rack-mounted devices.
- Do not install a unit in a rack where the air flow is compromised. Ensure that air flow is not blocked or reduced on any side, front, or back of a unit used for air flow through the unit.
- Consideration should be given to the connection of the equipment to the supply circuit so that overloading of the circuits does not compromise the supply wiring or overcurrent protection. To provide the correct power connection to a rack, refer to the rating labels located on the equipment in the rack to determine the total power requirement of the supply circuit.
- (For sliding drawers) Do not pull out or install any drawer or feature if the rack stabilizer brackets are not attached to the rack. Do not pull out more than one drawer at a time. The rack might become unstable if you pull out more than one drawer at a time.
- (For fixed drawers) This drawer is a fixed drawer and must not be moved for servicing unless specified by the manufacturer. Attempting to move the drawer partially or completely out of the rack might cause the rack to become unstable or cause the drawer to fall out of the rack.

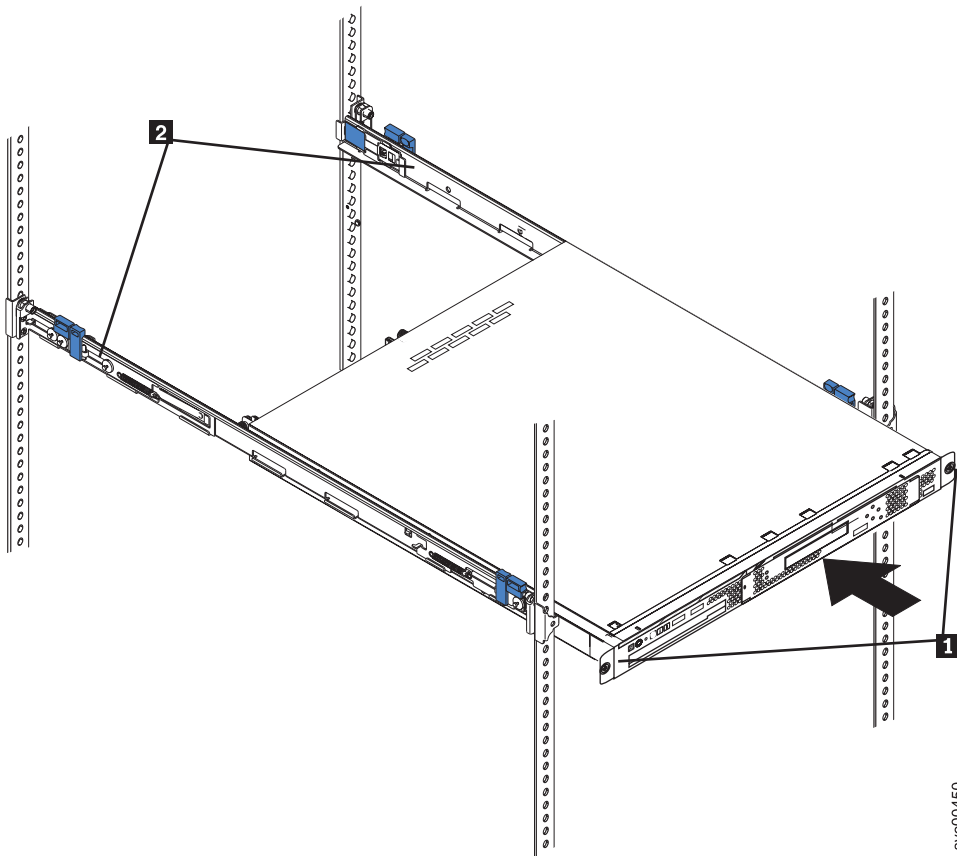
(R001 part 2 of 2)

About this task

To remove the SAN Volume Controller 2145-8A4 from a rack, complete these steps:

Procedure

1. Remove the cable-retention bracket and disconnect the power cable from the node. See “Removing the cable-retention bracket” on page 34.
2. To make sure that you can replace all cables in the same ports from which they were removed, record the position of all Fibre Channel and Ethernet cables; then remove all cables from the back of the node.
3. Loosen the captive thumbscrews (**1** in Figure 33 on page 54) that secure the node to the front mounting flanges.



svc00450

Figure 33. The captive thumbscrews that secure the node and the shipping brackets

4. Pull the SAN Volume Controller 2145-8A4 node completely out of the slides.

Removing the SAN Volume Controller 2145-8G4 from a rack

Use these instructions when you are prompted to remove a SAN Volume Controller 2145-8G4 from a rack.

Before you begin

If the SAN Volume Controller is not already turned off, see "Turning off the SAN Volume Controller node" in the *IBM System Storage SAN Volume Controller Troubleshooting Guide*.

Attention: Do not touch the power control switches on adjacent SAN Volume Controller nodes when you remove or install SAN Volume Controller nodes in a rack. Touching these switches on adjacent SAN Volume Controller nodes might cause those devices to turn off and make customer data inaccessible.

Use the reference numbers in parentheses at the end of each notice, such as (C003) for example, to find the matching translated notice in *IBM System Storage SAN Volume Controller Safety Notices*.

DANGER

Observe the following precautions when working on or around your IT rack system:

- Heavy equipment—personal injury or equipment damage might result if mishandled.
- Always lower the leveling pads on the rack cabinet.
- Always install stabilizer brackets on the rack cabinet.
- To avoid hazardous conditions due to uneven mechanical loading, always install the heaviest devices in the bottom of the rack cabinet. Always install servers and optional devices starting from the bottom of the rack cabinet.
- Rack-mounted devices are not to be used as shelves or work spaces. Do not place objects on top of rack-mounted devices.



- Each rack cabinet might have more than one power cord. Be sure to disconnect all power cords in the rack cabinet when directed to disconnect power during servicing.
- Connect all devices installed in a rack cabinet to power devices installed in the same rack cabinet. Do not plug a power cord from a device installed in one rack cabinet into a power device installed in a different rack cabinet.
- An electrical outlet that is not correctly wired could place hazardous voltage on the metal parts of the system or the devices that attach to the system. It is the responsibility of the customer to ensure that the outlet is correctly wired and grounded to prevent an electrical shock.

(R001 part 1 of 2)

DANGER

- Do not install a unit in a rack where the internal rack ambient temperatures will exceed the manufacturer's recommended ambient temperature for all your rack-mounted devices.
- Do not install a unit in a rack where the air flow is compromised. Ensure that air flow is not blocked or reduced on any side, front, or back of a unit used for air flow through the unit.
- Consideration should be given to the connection of the equipment to the supply circuit so that overloading of the circuits does not compromise the supply wiring or overcurrent protection. To provide the correct power connection to a rack, refer to the rating labels located on the equipment in the rack to determine the total power requirement of the supply circuit.
- (For sliding drawers) Do not pull out or install any drawer or feature if the rack stabilizer brackets are not attached to the rack. Do not pull out more than one drawer at a time. The rack might become unstable if you pull out more than one drawer at a time.
- (For fixed drawers) This drawer is a fixed drawer and must not be moved for servicing unless specified by the manufacturer. Attempting to move the drawer partially or completely out of the rack might cause the rack to become unstable or cause the drawer to fall out of the rack.

(R001 part 2 of 2)

About this task

To remove the SAN Volume Controller 2145-8G4 from a rack, complete these steps:

Procedure

1. Remove the cable-retention bracket and disconnect the power cable from the node. See "Removing the cable-retention bracket" on page 34.
2. To make sure that you can replace all cables in the same ports from which they were removed, record the position of all Fibre Channel and Ethernet cables; then remove all cables from the back of the node.
3. Slide the SAN Volume Controller 2145-8G4 node forward until it latches in the service position.
4. Position yourself to support the weight of the node when it is no longer held by the slides and then press the rear slide release latches (1 in Figure 34) on both sides of the SAN Volume Controller 2145-8G4 node.
5. Pull the node forward and remove it from the rack.

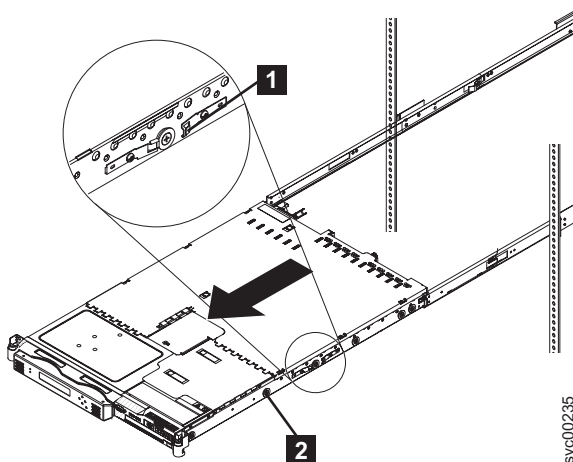


Figure 34. Removing the SAN Volume Controller 2145-8G4 from the rack

Removing the SAN Volume Controller 2145-8F4 or SAN Volume Controller 2145-8F2 from a rack

Use these instructions when you are directed to remove a SAN Volume Controller 2145-8F4 or SAN Volume Controller 2145-8F2 from a rack.

Before you begin

If the SAN Volume Controller is not already turned off, see "Turning off the SAN Volume Controller node" in the *IBM System Storage SAN Volume Controller Troubleshooting Guide*.

Attention: Do not touch the power control switches on adjacent SAN Volume Controller nodes when you remove or install SAN Volume Controller nodes in a rack. Touching these switches on adjacent SAN Volume Controller nodes might cause those devices to turn off and make customer data inaccessible.

Use the reference numbers in parentheses at the end of each notice, such as (C003) for example, to find the matching translated notice in *IBM System Storage SAN Volume Controller Safety Notices*.

DANGER

Observe the following precautions when working on or around your IT rack system:

- Heavy equipment—personal injury or equipment damage might result if mishandled.
- Always lower the leveling pads on the rack cabinet.
- Always install stabilizer brackets on the rack cabinet.
- To avoid hazardous conditions due to uneven mechanical loading, always install the heaviest devices in the bottom of the rack cabinet. Always install servers and optional devices starting from the bottom of the rack cabinet.
- Rack-mounted devices are not to be used as shelves or work spaces. Do not place objects on top of rack-mounted devices.



- Each rack cabinet might have more than one power cord. Be sure to disconnect all power cords in the rack cabinet when directed to disconnect power during servicing.
- Connect all devices installed in a rack cabinet to power devices installed in the same rack cabinet. Do not plug a power cord from a device installed in one rack cabinet into a power device installed in a different rack cabinet.
- An electrical outlet that is not correctly wired could place hazardous voltage on the metal parts of the system or the devices that attach to the system. It is the responsibility of the customer to ensure that the outlet is correctly wired and grounded to prevent an electrical shock.

(R001 part 1 of 2)

DANGER

- Do not install a unit in a rack where the internal rack ambient temperatures will exceed the manufacturer's recommended ambient temperature for all your rack-mounted devices.
- Do not install a unit in a rack where the air flow is compromised. Ensure that air flow is not blocked or reduced on any side, front, or back of a unit used for air flow through the unit.
- Consideration should be given to the connection of the equipment to the supply circuit so that overloading of the circuits does not compromise the supply wiring or overcurrent protection. To provide the correct power connection to a rack, refer to the rating labels located on the equipment in the rack to determine the total power requirement of the supply circuit.
- (For sliding drawers) Do not pull out or install any drawer or feature if the rack stabilizer brackets are not attached to the rack. Do not pull out more than one drawer at a time. The rack might become unstable if you pull out more than one drawer at a time.
- (For fixed drawers) This drawer is a fixed drawer and must not be moved for servicing unless specified by the manufacturer. Attempting to move the drawer partially or completely out of the rack might cause the rack to become unstable or cause the drawer to fall out of the rack.

(R001 part 2 of 2)

About this task

To remove the SAN Volume Controller 2145-8F4 or the SAN Volume Controller 2145-8F2 node from a rack, complete these steps:

Procedure

1. To make sure that you can replace all cables in the same ports from which they were removed, record the position of all Fibre Channel and Ethernet cables; then remove all cables from the back of the node.
2. Unlatch the two latches on the front of the rack.
3. Pull the node forward and remove it from the rack.

Replacing the SAN Volume Controller in a rack

You must use caution when you replace the SAN Volume Controller in a rack.

Before you begin

Note: If you have recently replaced a field-replaceable unit (FRU) in the node, the repaired node normally rejoins the cluster as soon as it is powered-on and has completed its self-tests. There are some exceptions to this, such as when a disk drive has been replaced, or when for some other reason the node has lost its identity or the integrity of its cluster metadata. Under these circumstances, the node goes offline. If you are performing this repair under fix procedures, those procedures will automatically restore the node to the cluster. If you are not performing the repair under fix procedures, you might be required to delete and add the node back into the cluster.

DANGER

Observe the following precautions when working on or around your IT rack system:

- Heavy equipment—personal injury or equipment damage might result if mishandled.
- Always lower the leveling pads on the rack cabinet.
- Always install stabilizer brackets on the rack cabinet.
- To avoid hazardous conditions due to uneven mechanical loading, always install the heaviest devices in the bottom of the rack cabinet. Always install servers and optional devices starting from the bottom of the rack cabinet.
- Rack-mounted devices are not to be used as shelves or work spaces. Do not place objects on top of rack-mounted devices.



- Each rack cabinet might have more than one power cord. Be sure to disconnect all power cords in the rack cabinet when directed to disconnect power during servicing.
- Connect all devices installed in a rack cabinet to power devices installed in the same rack cabinet. Do not plug a power cord from a device installed in one rack cabinet into a power device installed in a different rack cabinet.
- An electrical outlet that is not correctly wired could place hazardous voltage on the metal parts of the system or the devices that attach to the system. It is the responsibility of the customer to ensure that the outlet is correctly wired and grounded to prevent an electrical shock.

(R001 part 1 of 2)

DANGER

- Do not install a unit in a rack where the internal rack ambient temperatures will exceed the manufacturer's recommended ambient temperature for all your rack-mounted devices.
- Do not install a unit in a rack where the air flow is compromised. Ensure that air flow is not blocked or reduced on any side, front, or back of a unit used for air flow through the unit.
- Consideration should be given to the connection of the equipment to the supply circuit so that overloading of the circuits does not compromise the supply wiring or overcurrent protection. To provide the correct power connection to a rack, refer to the rating labels located on the equipment in the rack to determine the total power requirement of the supply circuit.
- (For sliding drawers) Do not pull out or install any drawer or feature if the rack stabilizer brackets are not attached to the rack. Do not pull out more than one drawer at a time. The rack might become unstable if you pull out more than one drawer at a time.
- (For fixed drawers) This drawer is a fixed drawer and must not be moved for servicing unless specified by the manufacturer. Attempting to move the drawer partially or completely out of the rack might cause the rack to become unstable or cause the drawer to fall out of the rack.

(R001 part 2 of 2)

Replacing the 2145-CG8 or 2145-CF8 in a rack

Follow these instructions when you are prompted to replace the 2145-CG8 or 2145-CF8.

Before you begin

Attention: Do not touch the power control switches on adjacent SAN Volume Controller nodes when you remove or install SAN Volume Controller nodes in a rack. Touching these switches on adjacent SAN Volume Controller nodes might cause those devices to turn off and make customer data inaccessible.

Use the reference numbers in parentheses at the end of each notice, such as (C003) for example, to find the matching translated notice in *IBM System Storage SAN Volume Controller Safety Notices*.

About this task

Perform the following steps to replace the 2145-CG8 or 2145-CF8 in a rack:

Procedure

1. Place the 2145-CG8 or 2145-CF8 in the rails on the rack.
 - a. Pull the slide rails forward (**1** in Figure 35) until they click twice into place.
 - b. Carefully lift the server and tilt it into position over the slide rails so that the rear nail heads **2** on the server line up with the rear slots **3** on the slide rails.
 - c. Slide the server down until the rear nail heads slip into the two rear slots; then slowly lower the front of the server **4** until the other nail heads slip into the other slots on the slide rails.
 - d. Verify that the front latch **5** slides over the nail heads.

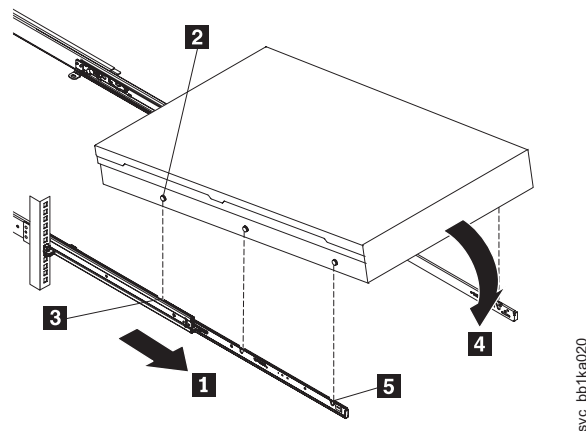


Figure 35. Installing the 2145-CG8 or 2145-CF8 node in the slide rails of the rack

2. Lift the locking levers (**1** in Figure 36 on page 61) on the slide rails and push the server **2** all the way into the rack until it clicks into place.

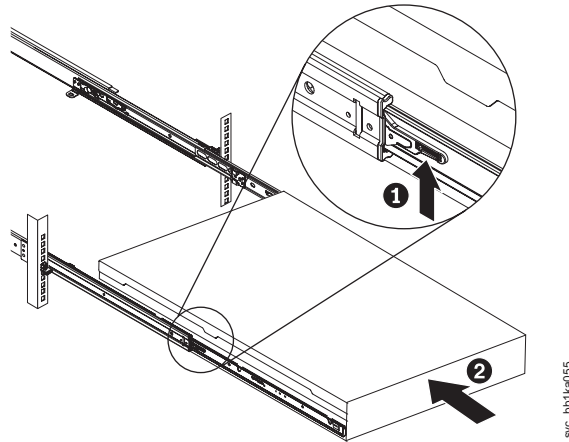


Figure 36. Raising the 2145-CG8 or 2145-CF8 locking levers of the slide rails of the rack

3. Replace the cable-management arm. See “Replacing the cable-management arm” on page 30.
4. Reconnect the Fibre Channel and Ethernet cables. Ensure that you replace the Fibre Channel and Ethernet cables in the same ports from which they were removed.
5. Connect the power cable to the node and replace the cable-retention bracket. See “Replacing the cable-retention bracket” on page 40.
6. Replace the cable-management arm, as described in “Replacing the cable-management arm” on page 30.
7. Turn on the node.

Replacing the SAN Volume Controller 2145-8A4 in a rack

Follow these instructions when you are prompted to replace the SAN Volume Controller 2145-8A4.

Before you begin

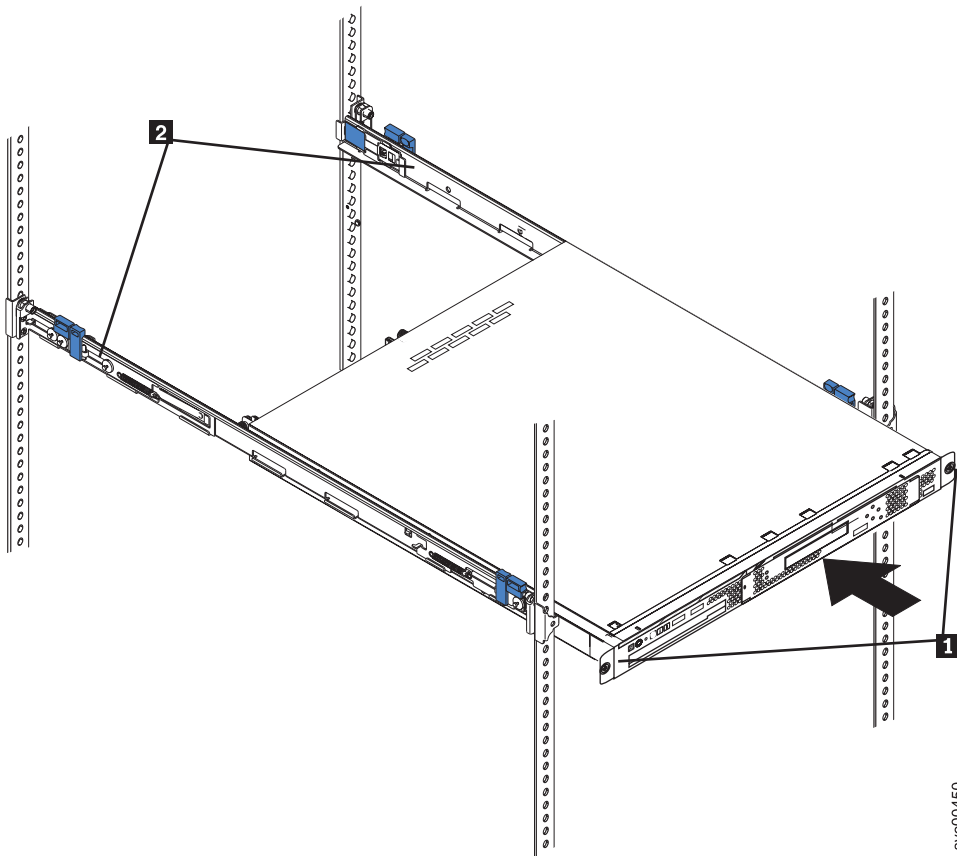
Attention: Do not touch the power control switches on adjacent SAN Volume Controller nodes when you remove or install SAN Volume Controller nodes in a rack. Touching these switches on adjacent SAN Volume Controller nodes might cause those devices to turn off and make customer data inaccessible.

About this task

Perform the following steps to replace the SAN Volume Controller 2145-8A4 node in a rack:

Procedure

1. Align the node on the slide rails and push the node fully into the rack. Secure the node to the front mounting flanges with the captive thumbscrews (**1** in Figure 37 on page 62).



svc00450

Figure 37. The captive thumbscrews that secure the node and the shipping brackets

2. Reconnect the Fibre Channel and Ethernet cables. Ensure that you replace the Fibre Channel and Ethernet cables in the same ports from which they were removed.
3. Replace the cable-retention bracket. See “Replacing the cable-retention bracket” on page 40.

Replacing the SAN Volume Controller 2145-8G4 in a rack

Follow these instructions when you are prompted to replace the SAN Volume Controller 2145-8G4.

Before you begin

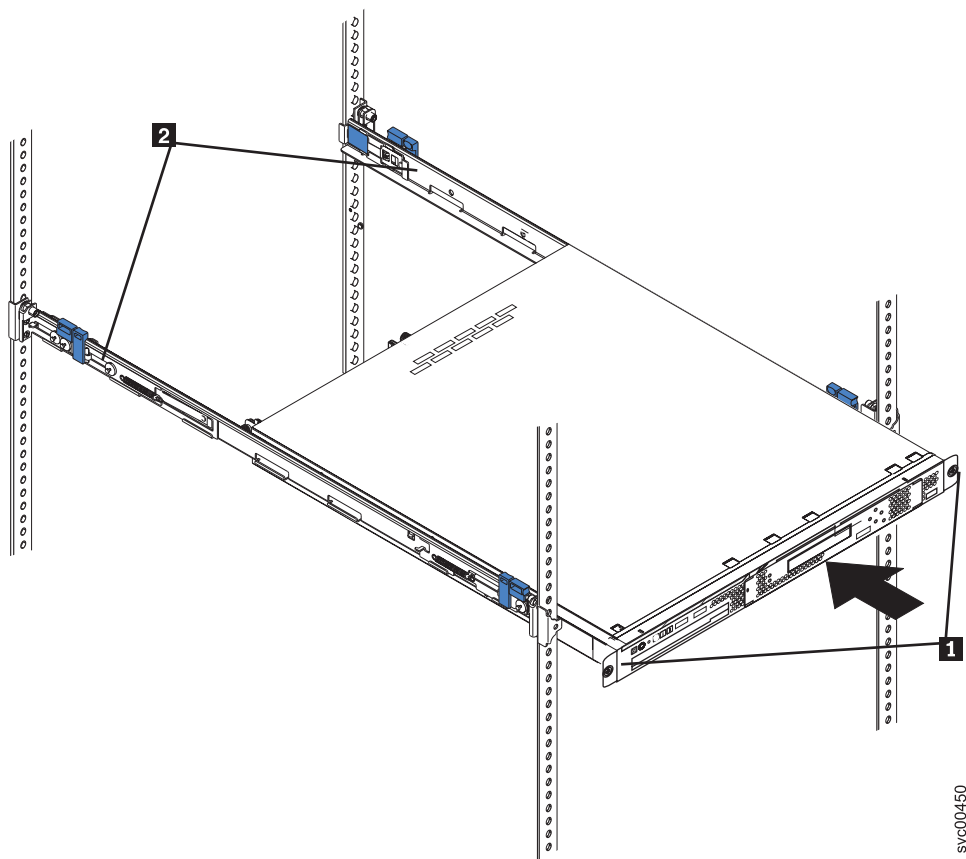
Attention: Do not touch the power control switches on adjacent SAN Volume Controller nodes when you remove or install SAN Volume Controller nodes in a rack. Touching these switches on adjacent SAN Volume Controller nodes might cause those devices to turn off and make customer data inaccessible.

About this task

Perform the following steps to replace the SAN Volume Controller 2145-8G4 in a rack:

Procedure

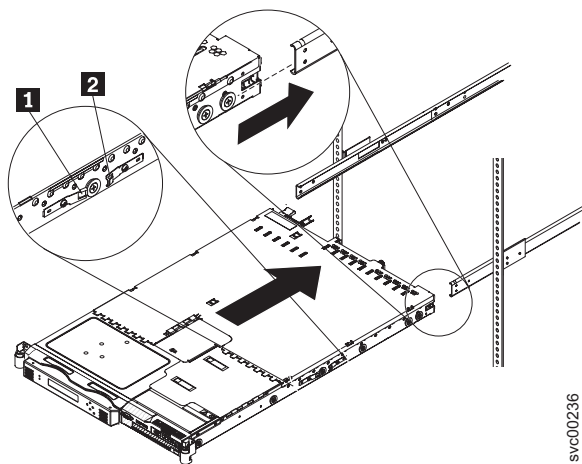
1. Fully extend the support slides.
2. Align the node on the slide rails and push the node fully into the rack. Secure the node to the front mounting flanges with the captive thumbscrews (**1** in Figure 38 on page 63).



svc00450

Figure 38. The captive thumbscrews that secure the node and the shipping brackets

3. Align the two rear wheels on the node with the opening in the slides and then push the node into the slides until the rear slide release latches (**2** in Figure 39) click into place, locking the node in the slides.



svc00236

Figure 39. Aligning the SAN Volume Controller 2145-8G4 with the rack slides

4. Reconnect the Fibre Channel and Ethernet cables. Ensure that you replace the Fibre Channel and Ethernet cables in the same ports from which they were removed.

5. Connect the power cable to the node and replace the cable-retention bracket. See “Replacing the cable-retention bracket” on page 40.
6. Turn on the node.

Replacing the SAN Volume Controller 2145-8F4 or SAN Volume Controller 2145-8F2 in a rack

Follow these instructions when you are prompted to replace the SAN Volume Controller 2145-8F4 or the SAN Volume Controller 2145-8F2 in a rack.

Before you begin

Attention: Do not touch the power control switches on adjacent SAN Volume Controller nodes when you remove or install SAN Volume Controller nodes in a rack. Touching these switches on adjacent SAN Volume Controller nodes might cause those devices to turn off and make customer data inaccessible.

About this task

Perform the following steps to replace the SAN Volume Controller 2145-8F4 or the SAN Volume Controller 2145-8F2 in the rack:

Procedure

1. Slide the SAN Volume Controller 2145-8F4 or the SAN Volume Controller 2145-8F2 node into the rack.
2. Latch the two latches on the front of the rack to attach the node to the rack. (**1** in Figure 40).

Note: The front of the rail assembly looks different from the front, as you can see in Figure 40.

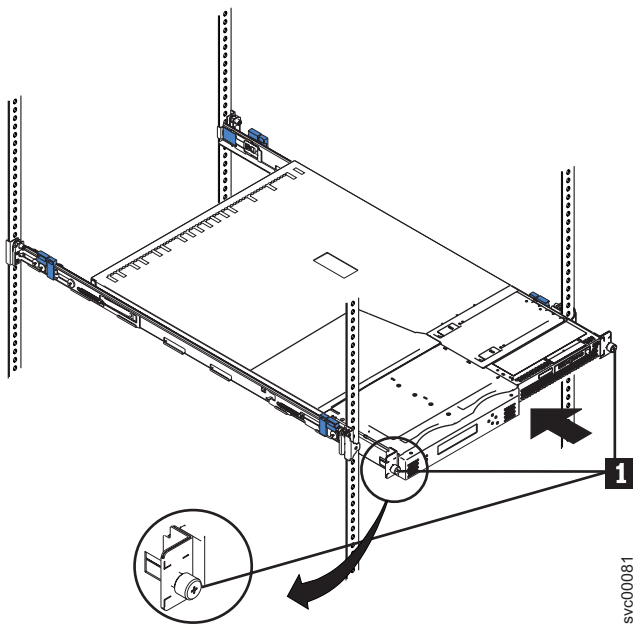


Figure 40. Sliding the SAN Volume Controller 2145-8F4 into the rack

3. Reconnect the Fibre Channel and Ethernet cables. Ensure that you replace the Fibre Channel and Ethernet cables in the same ports from which they were removed.
4. Connect the power cable to the node and replace the cable-retention bracket. See “Replacing the cable-retention bracket” on page 40.

5. Turn on the node.

Removing the support rails for a SAN Volume Controller

The SAN Volume Controller support rails can be removed if you need to move the SAN Volume Controller.

About this task

Removing the 2145-CG8 or 2145-CF8 support rails

This topic describes how to remove the 2145-CG8 or 2145-CF8 support rails.

About this task

Perform the following steps to remove the 2145-CG8 or 2145-CF8 support rails:

Procedure

1. Remove the 2145-CG8 or 2145-CF8 node, as described in “Removing the 2145-CG8 or 2145-CF8 from a rack” on page 47.
2. Remove the cable-management arm, as described in “Removing the 2145-CG8 and 2145-CF8 cable-management arm” on page 26.
3. Remove the front end of the slide rails, as shown in Figure 41.

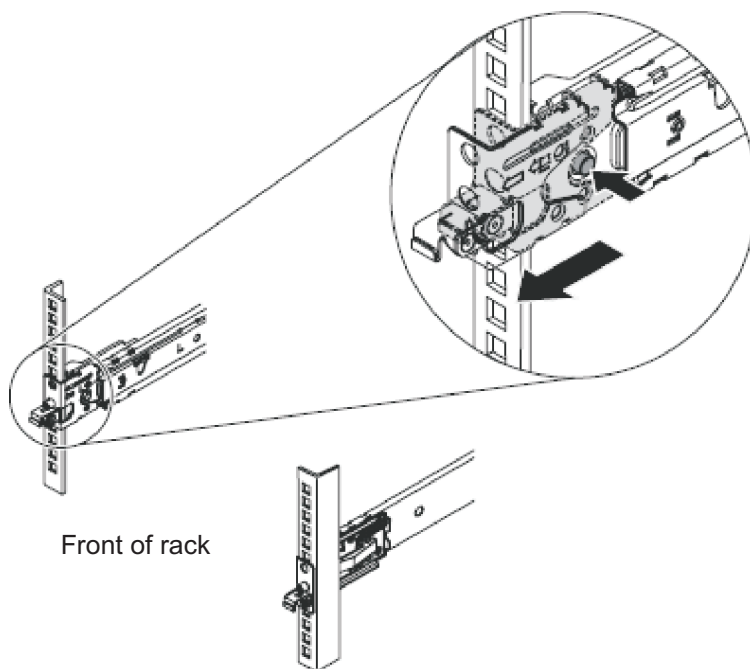


Figure 41. Removing the front end of the slide rails

To remove the slide rails from the front of the rack, push up the front tab and slide out the front latch. Press the blue button and lift up slightly on the front of the slide rail. Remove the slide rail from the rack.

4. Remove the rear end of the slide rails, as shown in Figure 41.

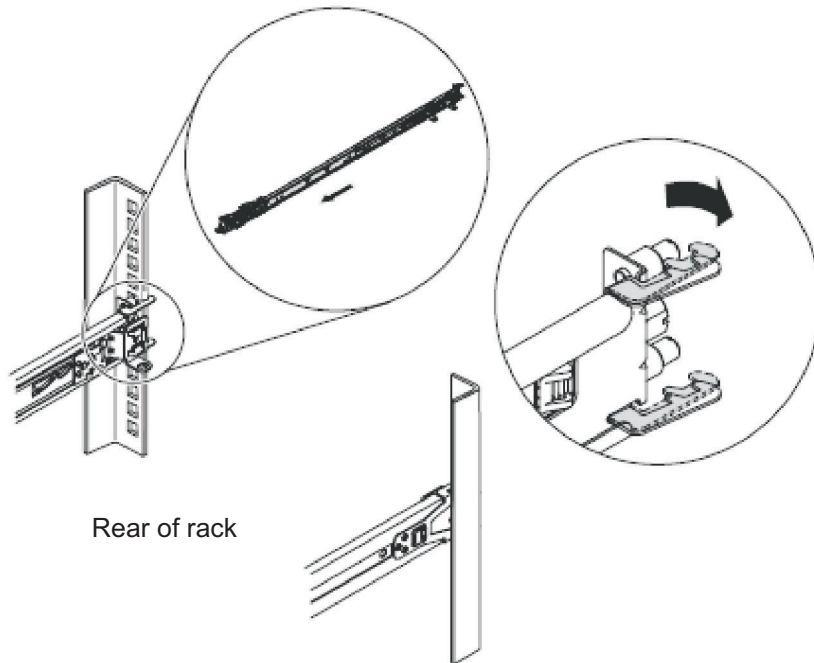


Figure 42. Removing the rear end of the slide rails

To disengage the slide rails from the rear of the rack, pull the slide rail forward to unlatch the rear hooks and take the rails out of the rack.

Removing the support rails for the SAN Volume Controller 2145-8A4

You can remove the support rails that hold the SAN Volume Controller 2145-8A4 node.

About this task

To remove the SAN Volume Controller 2145-8A4 support rails, perform the following steps:

Procedure

1. Remove the M6 screw **1** from the front and rear brackets.

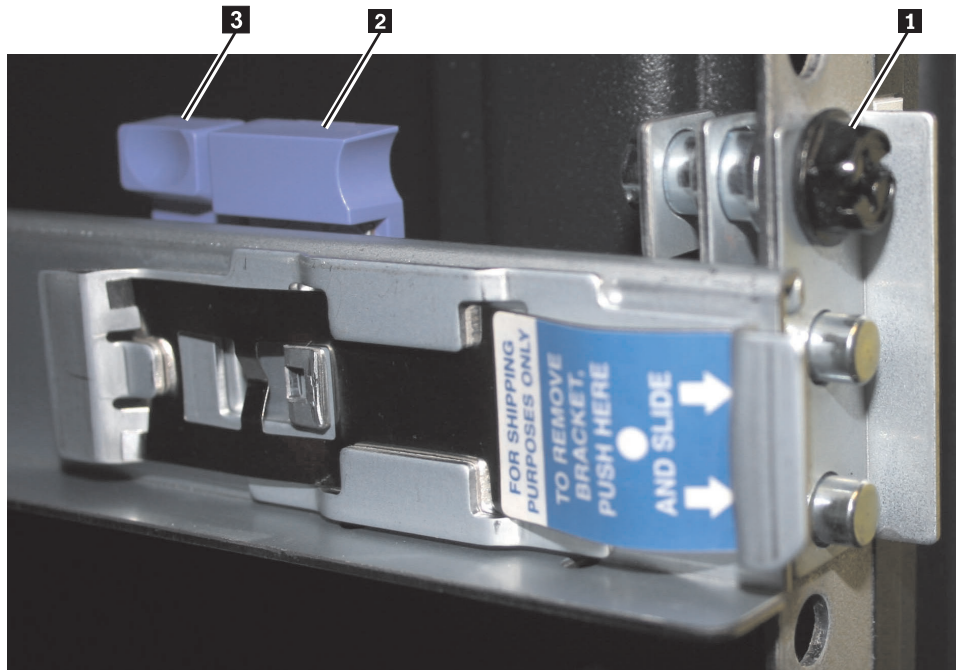


Figure 43. The rail-adjustment bracket and the release tab on the rear rail-locking carrier

2. Starting from the rear, press the release tab **3** backwards, away from the rail. Push the rail-adjustment bracket **2** toward the center of the rack until it snaps into place. Lift the tab that secures the rear of the slide rail to the rear mounting flange.
3. Repeat step 2 to remove the front bracket and then remove the support rail from the rack.
4. Repeat steps 1 through 3 for the other support rail.

Removing the support rails for the SAN Volume Controller 2145-8G4

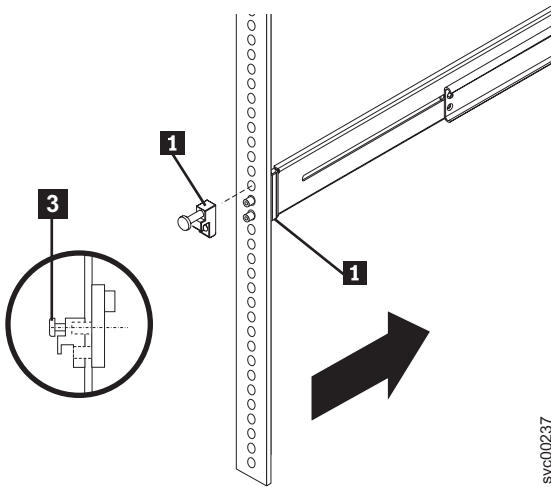
This topic describes how to remove the SAN Volume Controller 2145-8G4 support rails.

Before you begin

Perform the following steps to remove the SAN Volume Controller 2145-8G4 support rails:

Procedure

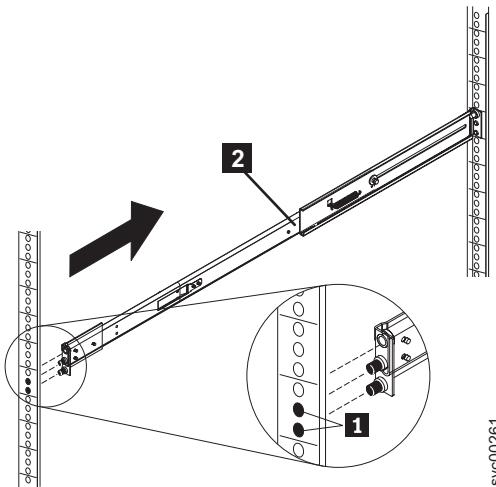
1. Loosen and remove the captive screw **3** and latch strike **1** from the left rear mounting flange, as shown in Figure 44 on page 68, to release the slide rail **2**. Loosen and remove the captive screw from the right rear mounting flange and release the other slide rail in the same way.



svc00237

Figure 44. Removing the latch strike from the front of the slide rail

2. Loosen and remove the captive screw from the front of the right rail and then remove the latch strike. Remove the captive screw and latch strike from the front of the left rail in the same way.
3. Push the rail pins **1** out of the front rack mounting flange, as shown in Figure 45, to shorten the right slide rail and remove it from the front flange. Then pull the right slide rail forward to remove the slide rail from the rear rack mounting flange. Remove the left slide rail in the same way.



svc00261

Figure 45. Removing the right slide rail from the front of the rack

Removing the support rails for the SAN Volume Controller 2145-8F4 or SAN Volume Controller 2145-8F2

This topic describes how to remove the SAN Volume Controller 2145-8F4 or SAN Volume Controller 2145-8F2 support rails.

Before you begin

Perform the following steps to remove the SAN Volume Controller support rails:

Procedure

1. Go to the front of the left support rail.

- Put your left index finger onto the back edge of the latch lever **2** and your left thumb on the front edge of the latch lock **1**, as shown in Figure 46.

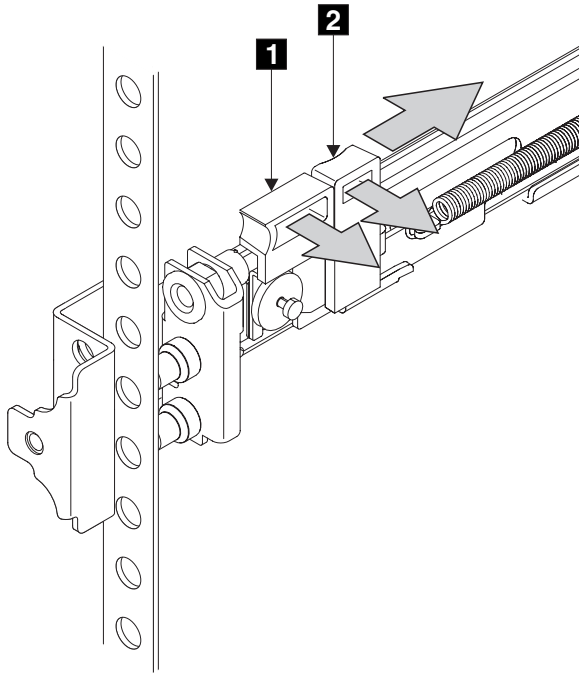


Figure 46. The left support rail for the SAN Volume Controller

- Gently move the latch lock inward and push the latch-lock carrier toward the back of the rack until it latches onto the rail.
- Pull the rail out from the front rack-mounting flange.
- Repeat the action at the back of the rail.
- Remove the rail from the rack.
- Repeat steps 2 through 6 for the right support rail.

Installing the support rails for a SAN Volume Controller

You must install the support rails that hold the SAN Volume Controller.

Before you begin

The instructions for installing the SAN Volume Controller are found in the topics that follow.

Installing the 2145-CG8 or 2145-CF8 support rails

Install the support rails that hold the 2145-CG8 or 2145-CF8 in the rack.

Before you begin

Notes:

- With some types of racks, you might find it helpful to remove the rack doors and side panels to provide easier access during installation.
- The slide rails are marked (RIGHT / FRONT and LEFT / FRONT) for proper placement on the rack flanges.
- The front and back of each rail has a spring-loaded rail-locking carrier, which can be locked in the open position and then released when the rail is in the rack.

When you are ready to install the support rails, use the customer's hardware-location chart and the Electronic Industries Alliance (EIA) positions on the rack to determine where in the rack that the SAN Volume Controller node is to be installed.

About this task

Perform the following steps to install the support rails:

Procedure

1. Verify that you have all the items that you need for installing the support rails and that you have identified the front of each rail.
 - Slide rail (left)
 - Slide rail (right)
 - M6 screws (quantity 4)
2. Open the rear-slide-rail hooks, as shown in Figure 47.

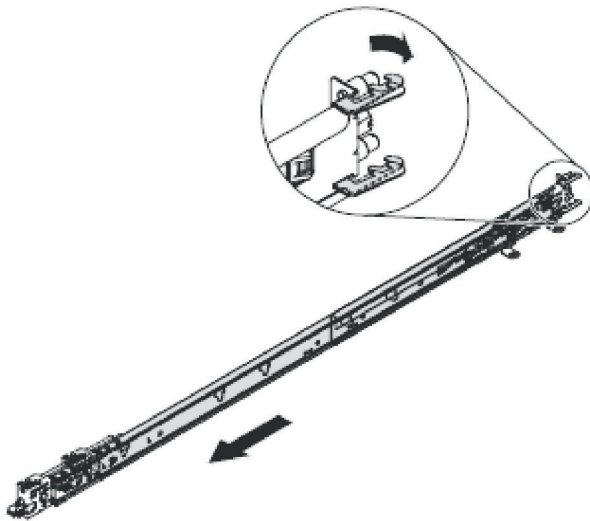


Figure 47. Opening the rear slide-rail hooks

Note: The maximum distance between the front and the rear EIA rails of the rack is 810 mm (31.9 in.).

Each slide rail is marked with either an R (right) or an L (left). Select one of the slide rails and pull the rear bracket all the way back. If a thumbscrew is installed in the slide rail, remove it.

3. Install the rear end of the slide rails, as shown in Figure 48 on page 71.

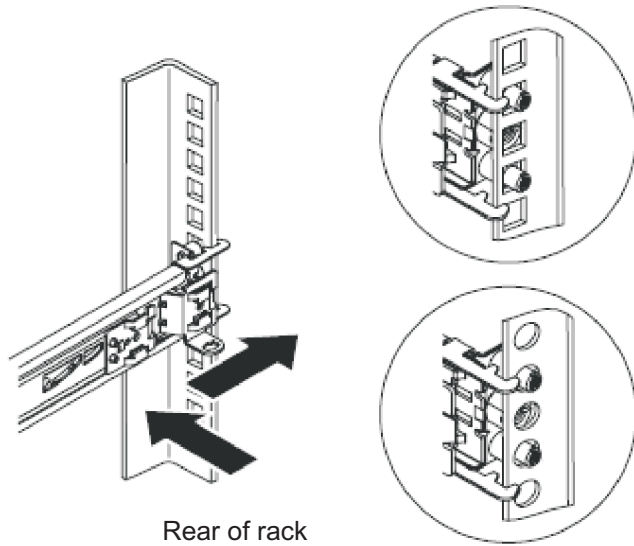


Figure 48. Installing the rear end of the slide rails

From the front of the rack, line up the two pins on the rear of the slide rail in the selected U on the rear of the rack. Push the rails so that the pins go into the holes and slide the rails into the rack to lock the rear of the slide rails into the rack.

4. Prepare the front end of the slide rails, as shown in Figure 49.

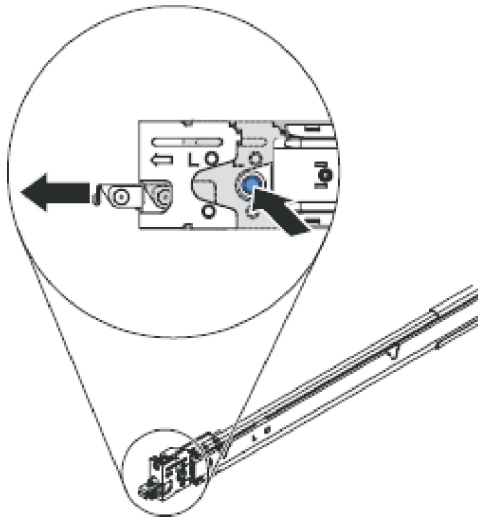


Figure 49. Preparing the front end of the slide rails

Push the blue button to allow the latch to slide forward. Then pull the slide rail forward and pull the latch on the front of the rail in the U on the front of the rack. Adjust the length of the rail.

5. Install the front end of the slide rails, as shown in Figure 50 on page 72.

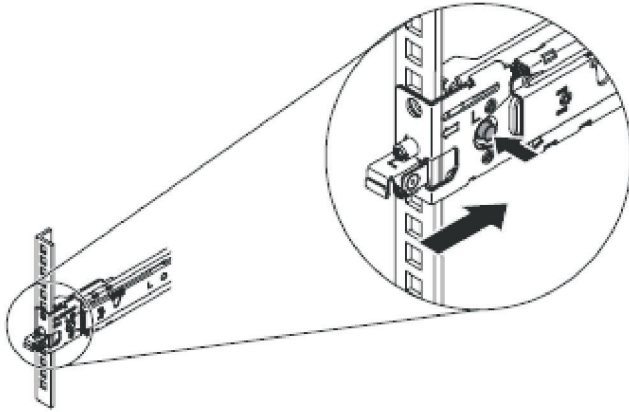


Figure 50. Installing the front end of the slide rails

Press the blue button to release the bracket. Push the front latch in all the way. Make sure the latch is fully engaged.

6. Install the other rail in the same manner.

Results

The installation of the support rails for the 2145-CG8 or 2145-CF8 is complete.

Installing the support rails for the SAN Volume Controller 2145-8A4

You must install the support rails that hold the SAN Volume Controller 2145-8A4 node.

Before you begin

Figure 51 on page 73 shows the items that you need to install the SAN Volume Controller 2145-8A4 node in a rack.

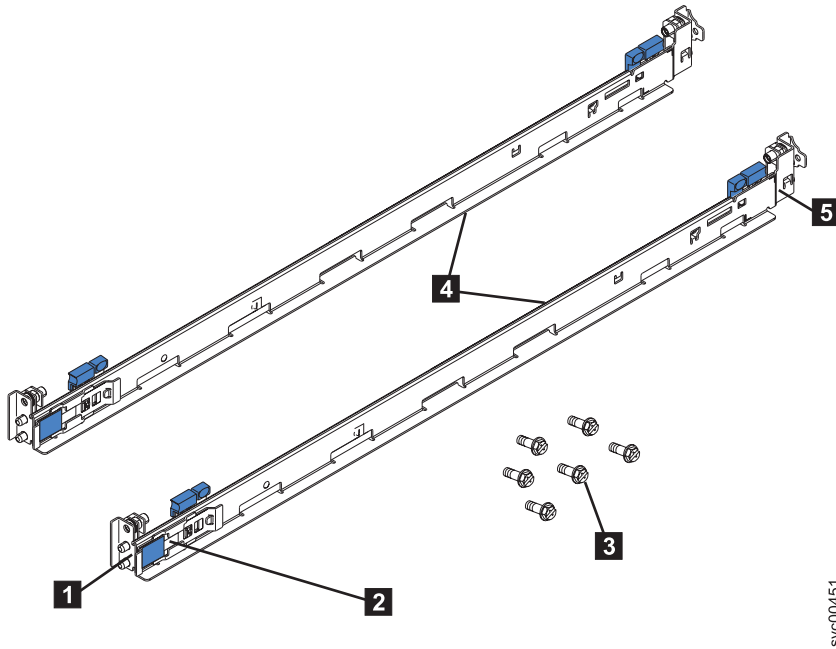


Figure 51. SAN Volume Controller 2145-8A4 support-rails installation kit

- 1** Rear of rail
- 2** Shipping bracket
- 3** M6 screws (6)
- 4** Rack mounting rails
- 5** Front of rail

Notes:

- With some types of racks, you might find it helpful to remove the rack doors and side panels to provide easier access during installation.
- The slide rails are marked (RIGHT / FRONT and LEFT / FRONT) for proper placement on the rack flanges.
- The front and back of each rail has a spring-loaded rail-locking carrier, which can be locked in the open position and then released when the rail is in the rack.

When you are ready to install the support rails, use the customer's hardware-location chart and the Electronic Industries Alliance (EIA) positions on the rack to determine where in the rack that the SAN Volume Controller node is to be installed.

About this task

Perform the following steps to install the support rails:

Procedure

1. Ensure that the rail-locking carriers at the front and rear of each support rail are open. The mechanism to open is similar at each end. If a locking mechanism is closed, as shown in Figure 52 on page 74 (for a front bracket), open it.

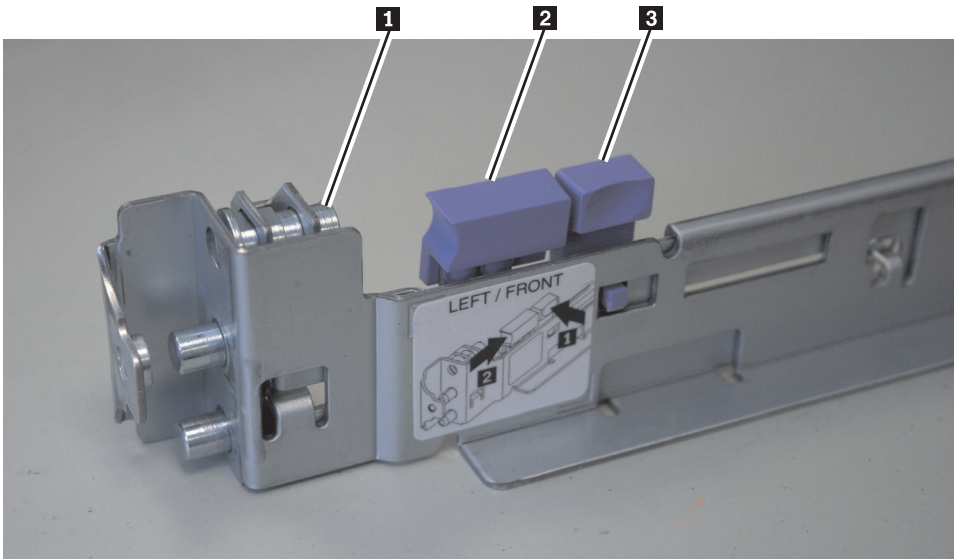


Figure 52. A closed rail-locking carrier at the front of the support rail for the SAN Volume Controller 2145-8A4

To open the rail-locking carrier, push the small tab **3** back away from the rail and slide the larger tab **2** toward the center of the slide rail. Slide the rail-locking carrier approximately 15 mm toward the end of the slide rail until the rail-locking carrier locks in the open position, as shown in Figure 53 (which shows the rear bracket).

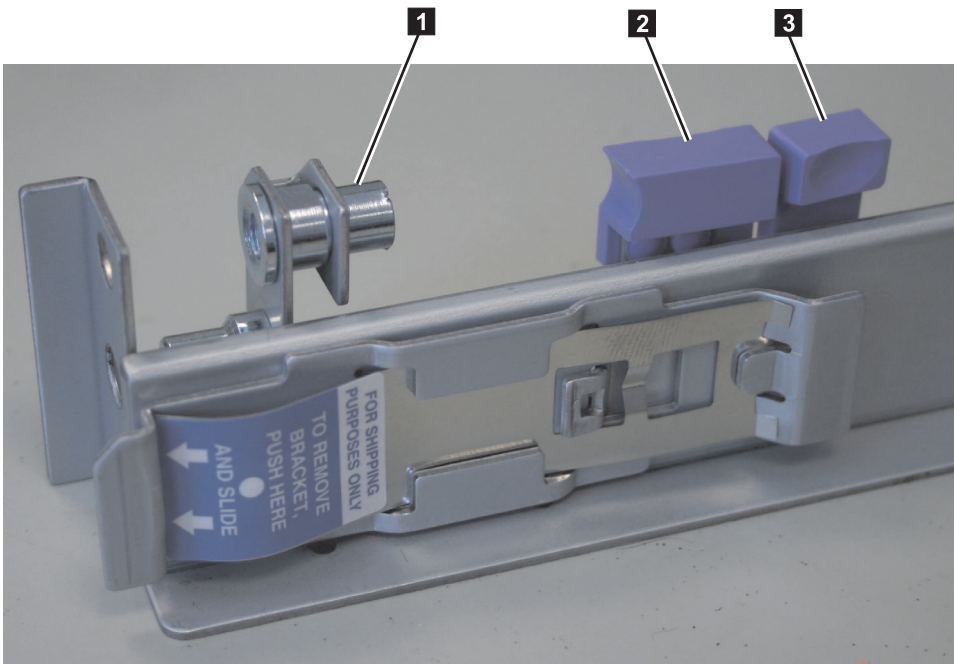


Figure 53. An open rail-locking carrier at the rear of the support rail for the SAN Volume Controller 2145-8A4

2. Position the rail at the correct height in the rack.
 - a. Start from the front and align the pins (**1** in Figure 54 on page 75) on the front rail-locking carrier with the holes on the rack mounting flange **2**.
 - b. Release the rail-locking latch by pushing the smaller blue tab **3** away from the rail. The pins spring into the closed position. Ensure that the pins go fully through the holes in the mounting flange, as shown in Figure 54 on page 75.

- c. At the rear of the rack, align the pins on the rear rail-locking carrier with the holes on the rack mounting flange.

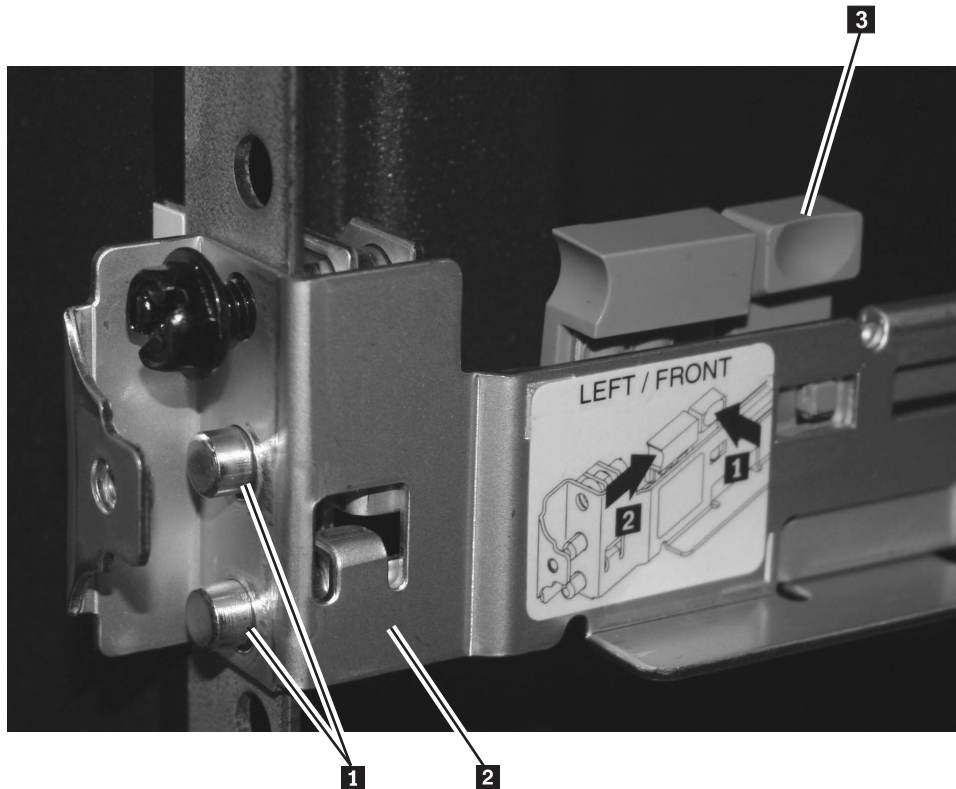


Figure 54. Aligning the pins on the left front support rail for the SAN Volume Controller 2145-8A4 with the front mounting flange

3. Insert one of the M6 screws into the front and rear locking latches and tighten.
4. Repeat the instructions in steps 1 on page 73 through 3 with the right support rail.

Installing the support rails for the SAN Volume Controller 2145-8G4

You must install the support rails that hold the SAN Volume Controller 2145-8G4.

Before you begin

When you are ready to install the support rails, use the customer's hardware-location chart and the Electronic Industries Alliance (EIA) positions on the rack to determine where in the rack that the SAN Volume Controller node is to be installed.

About this task

Perform the following steps to install the support rails (shown in Figure 55 on page 76) for the SAN Volume Controller 2145-8G4:

Procedure

1. Make sure you have all the items that you need for installing the support rails.

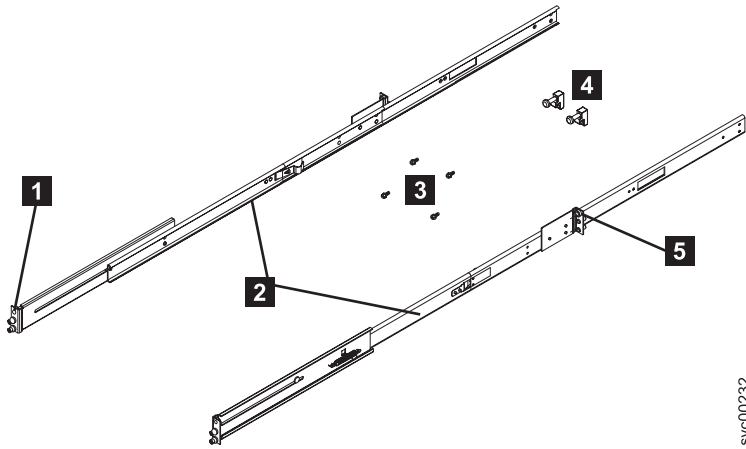


Figure 55. SAN Volume Controller 2145-8G4 support rails installation kit

- 1** Rear of rail
- 2** Rack mounting rails
- 3** M6 screws
- 4** Latches
- 5** Front of rail

Note: You might find it helpful, with some types of racks, to remove the rack doors and side panels to provide easier access during installation.

2. Check the labels on the support rails. Each rail has a label that indicates which is the front end of the rail and whether the rail is for the left or right side of the rack. Perform this procedure for both rails.
3. Insert the right slide rail **2** into the rear rack mounting flange, as shown in Figure 56, with the rail pins **1** protruding through the flange.

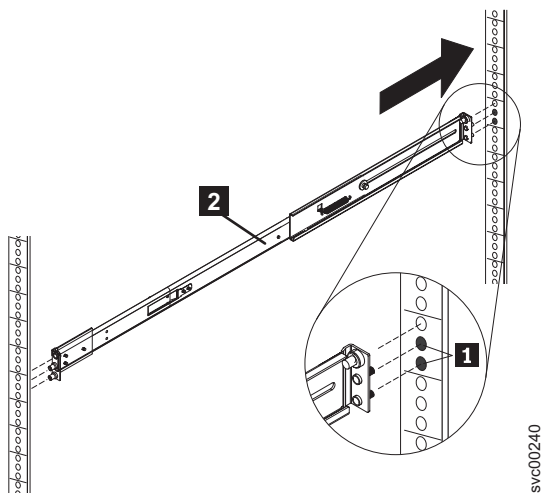


Figure 56. Inserting the right slide rail into the rear rack mounting flange

4. Extend the right slide rail **2** and insert it into the front rack mounting flange, as shown in Figure 57 on page 77, with the rail pins **1** protruding through the flange. Insert the left slide rail in the same way.

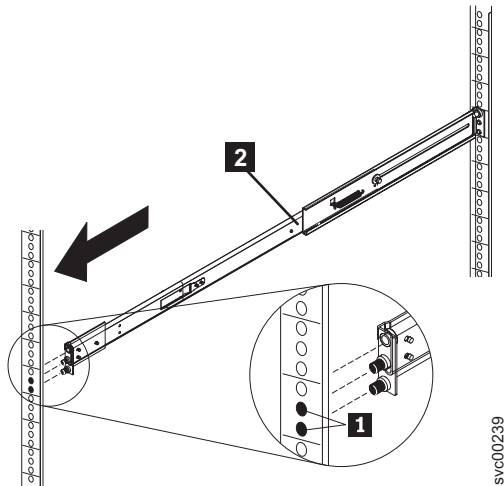


Figure 57. Extending the right slide rail

- Attach one latch strike **1** to the front of the right rail **2**, as shown in Figure 58, using the captive screw **3**. Turn the screw only finger tight. Attach the other latch strike to the front of the left rail in the same way.

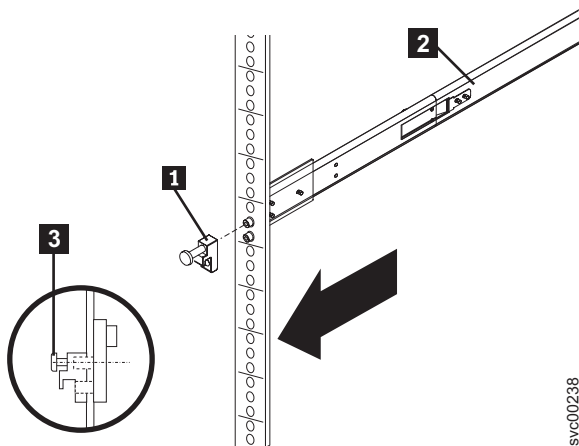


Figure 58. Attaching the latch strike to the front of the slide rail

- Attach the slide rail to the left rear mounting flange with a single screw and latch strike. The screw should be only finger tight. Likewise, attach the other slide rail to the right rear mounting flange. The installation of the support rails for the SAN Volume Controller 2145-8G4 is complete.

Installing the support rails for the SAN Volume Controller 2145-8F4 or the SAN Volume Controller 2145-8F2

You must install the support rails that hold the SAN Volume Controller 2145-8F4 or the SAN Volume Controller 2145-8F2.

Before you begin

When you are ready to install the support rails, use the customer's hardware-location chart and the Electronic Industries Alliance (EIA) positions on the rack to determine where in the rack that the SAN Volume Controller node is to be installed.

About this task

Perform the following steps to install the support rails:

Procedure

1. Check the labels on the support rails. Each rail has a label that indicates which is the front end of the rail and whether the rail is for the left or right side of the rack. Perform this procedure for both rails.
2. Put your index finger against the side of the latch-lever, **1** in Figure 59, and put your thumb against the front of the latch-lock **2**.

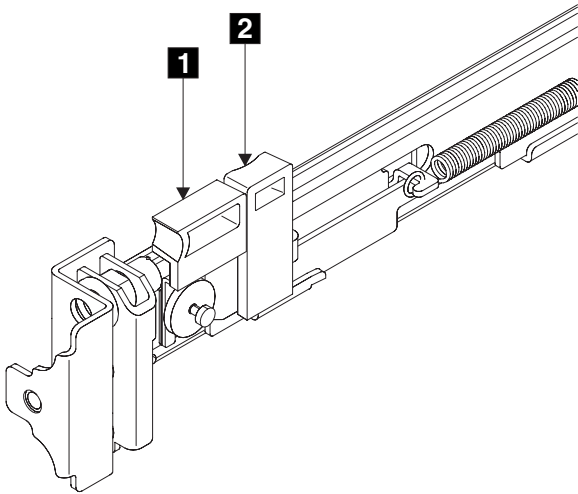
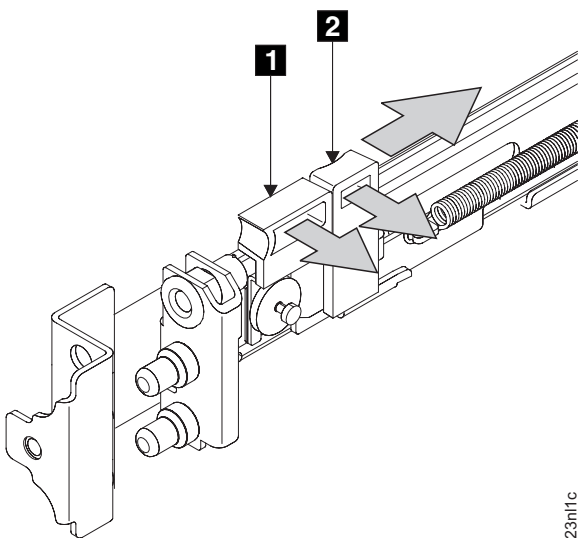


Figure 59. Retracting the latch-lock carrier

- 1** Latch lever
- 2** Latch lock

3. Gently push the latch lock **2** away from the rail as you move the latch lever **1** toward the far end of the rail (Figure 60). The latch-lock carrier assembly slides against the spring tension.



23n1fc

Figure 60. Opening the front latch-lock carrier assembly

- 1** Latch lever

2 Latch lock

4. Continue to slide the latch-lock carrier for approximately 13 mm (0.5 in). The latch-lever engages a hole in the back bracket assembly and holds the latch-lock carrier in the retracted position.
5. Push the back rail bracket **1** (Figure 61) toward the front of the rail until it stops. The rail is now at its shortest adjustment.

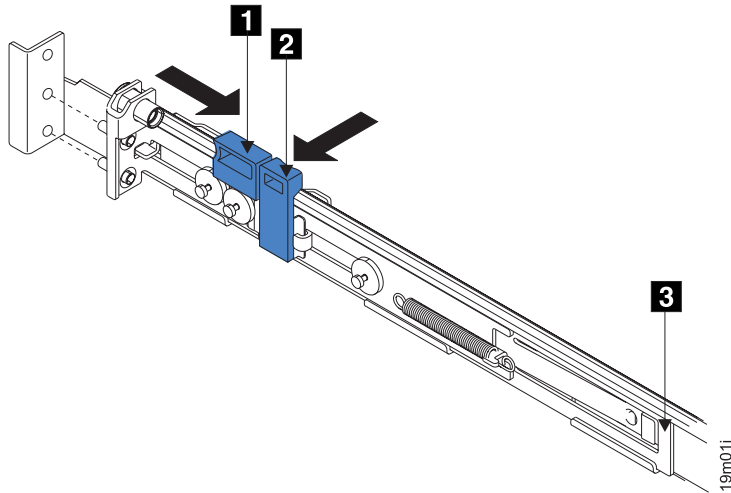


Figure 61. Opening the back latch-lock carrier assembly

1 Latch-lever

2 Latch-lock

3 Back rail bracket

6. Place the front end of the left rail in the rack cabinet. Align the top of the front bracket **1** (Figure 62) with the required EIA marking that is on the rack.

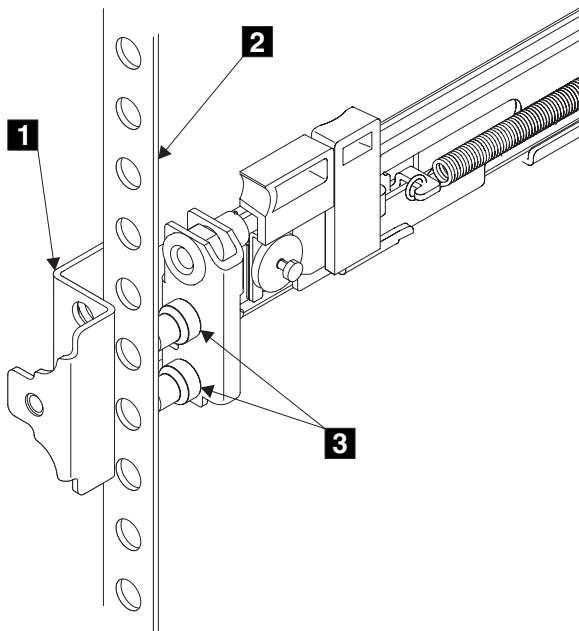


Figure 62. Installing the front end of the rail

- 1** Front bracket
- 2** Rack-mounting flange
- 3** Locating pins

7. Align the locating pins **3** with the holes that are in the rack-mounting flange.
8. Push the latch lock **2** (Figure 63) away from the rail to release the carrier. The latch-lock carrier slides toward the front of the rack and the locating pins project through the holes that are in the front flange and in the front rail bracket.

Important: Ensure that the locating pins are fully extended through the front rail bracket.

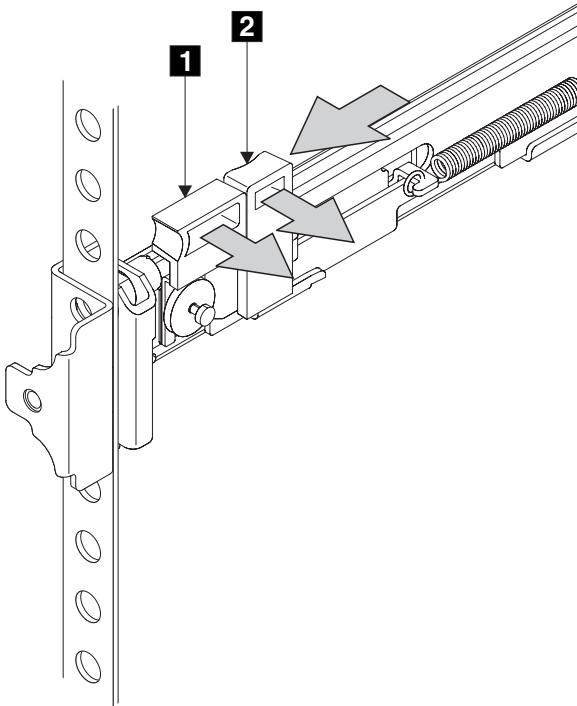


Figure 63. Closing the latch-lock carrier assembly

- 1** Latch-lever
- 2** Latch-lock

9. Push the back rail bracket toward the rear of the rack and align the locating pins with the rack-mounting flange.
10. Push the latch lock **2** away from the rail to release the carrier. The latch-lock carrier slides toward the rear of the rack, and the locating pins project through the holes that are in the rear flange and in the rear rail bracket.

Important: Ensure that the locating pins are fully extended through the rear rail bracket.

11. On the rear of each rail, press the blue release tab and slide the shipping bracket off the slide rail. Store the shipping bracket for further use.

Removing the top cover

You can remove the top cover of the SAN Volume Controller node if maintenance is necessary.

Removing the SAN Volume Controller 2145-CG8 or 2145-CF8 top cover

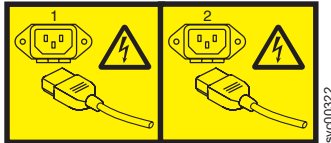
Remove the SAN Volume Controller 2145-CG8 or 2145-CF8 top cover to gain access to node components.

Before you begin

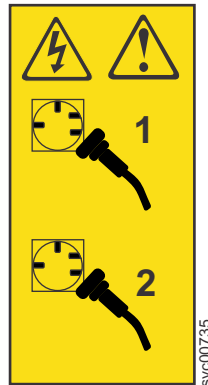
Important: Before you turn on the node, replace the cover for proper cooling and airflow. Operating the node for extended periods of time (more than 30 minutes) with the cover removed might damage components.

DANGER

Multiple power cords. The product might be equipped with multiple power cords. To remove all hazardous voltages, disconnect all power cords. (L003)



or



or



About this task

To remove the SAN Volume Controller 2145-CG8 or 2145-CF8 cover, complete the following steps:

Note: Some parts remove or replace instructions call for removing the node. Removing the node normally is not necessary and only complicates the procedure.

Procedure

1. Read the safety information to which “Preparing to remove and replace parts” on page 26 refers.
2. Optional: Follow the procedure in MAP 5350 in the *IBM System Storage SAN Volume Controller Troubleshooting Guide* to verify that the node data is mirrored and synchronized, and that there are no dependent volumes before turning off the node.

Most maintenance procedures that require you to remove the cover are performed with:

- The node turned off
- The power cables disconnected
- The data cables connected

Depending on the part that you are removing or replacing, you might be able to leave the power cords and the data cables connected. The removal or replacement procedure for each part describes what to do about power, the power cords, and the data cables.

If you are removing or replacing a hot-swap fan, for example, you can leave the node turned on, the power cords connected, and the data cables connected. However, do not run the node for longer than thirty minutes without the cover. If you must take a longer time, turn off the node as directed in MAP 5350.

3. You must work from the front and slide the node out to remove the SAN Volume Controller 2145-CG8 or 2145-CF8 top cover.

You can perform most service actions when the node is fully extended from the rack on its slide rails.

4. Remove the node from the rack and place it on a flat, static-protective surface. See “Removing the SAN Volume Controller from a rack” on page 47.

5. Press down firmly on the blue tab (**2** in Figure 64) that secures the cover (**1**) and slide the cover toward the rear of the node until the cover disengages the chassis.

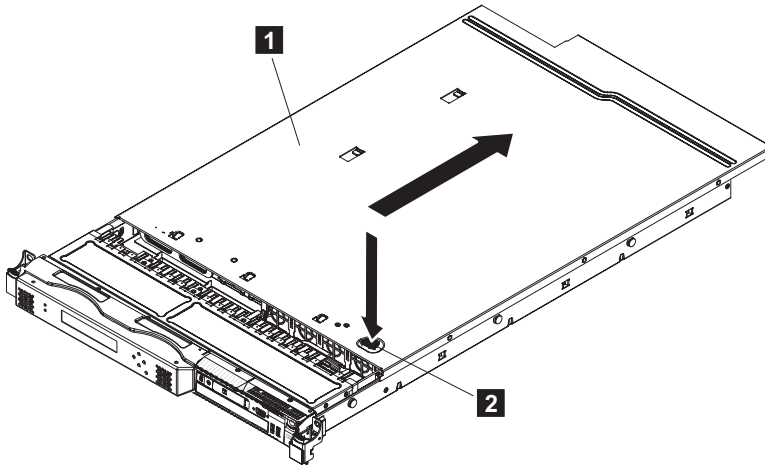


Figure 64. Removing the SAN Volume Controller 2145-CG8 or 2145-CF8 cover

- 1** Cover
- 2** Blue locking tab

6. Lift the cover off the SAN Volume Controller 2145-CG8 or 2145-CF8 and set it aside.

Removing the SAN Volume Controller 2145-8A4 top cover

This topic describes how to remove the top cover of the SAN Volume Controller 2145-8A4 node.

Before you begin

Attention: Never remove the top cover with power applied. To remove all power from the SAN Volume Controller 2145-8A4, see MAP 5350 in the *IBM System Storage SAN Volume Controller Troubleshooting Guide*.

About this task

To remove the SAN Volume Controller 2145-8A4 cover, complete the following steps.

Procedure

1. Read the safety information that is referenced in “Preparing to remove and replace parts” on page 26.
2. Press the cover-release button **1**, which is shown in Figure 65 on page 83.

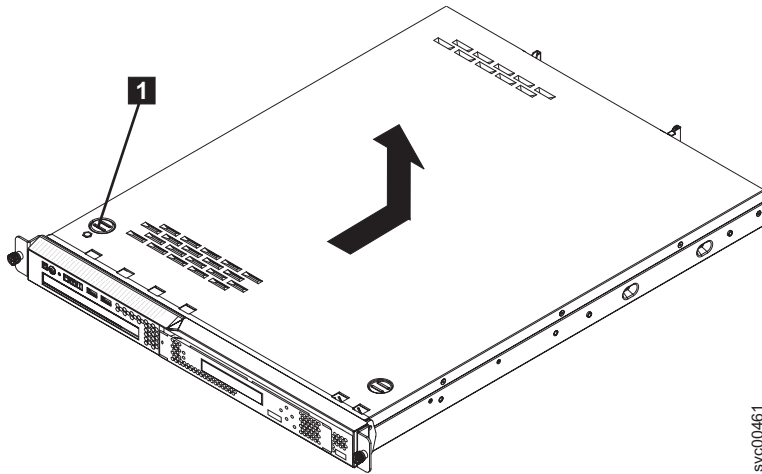


Figure 65. Removing the SAN Volume Controller 2145-8A4 cover

- Slide the cover back approximately 1.3 cm (0.5 in); then, lift it off the node.

Removing the SAN Volume Controller 2145-8G4 top cover

This topic describes how to remove the SAN Volume Controller 2145-8G4 top cover.

Before you begin

Important: Before you turn on the node, replace the cover for proper cooling and airflow. Operating the node for extended periods of time (more than 30 minutes) with the cover removed might damage components.

To remove the SAN Volume Controller 2145-8G4 top cover, complete the following steps.

About this task

Attention: Never remove the top cover with power applied. To remove all power from the node, see MAP 5350 in the *IBM System Storage SAN Volume Controller Troubleshooting Guide*.

Procedure

- Read the safety information that is referenced in “Preparing to remove and replace parts” on page 26.
- Loosen the thumbscrew (**1** in Figure 66 on page 84) that secures the cover at the rear of the SAN Volume Controller 2145-8G4.

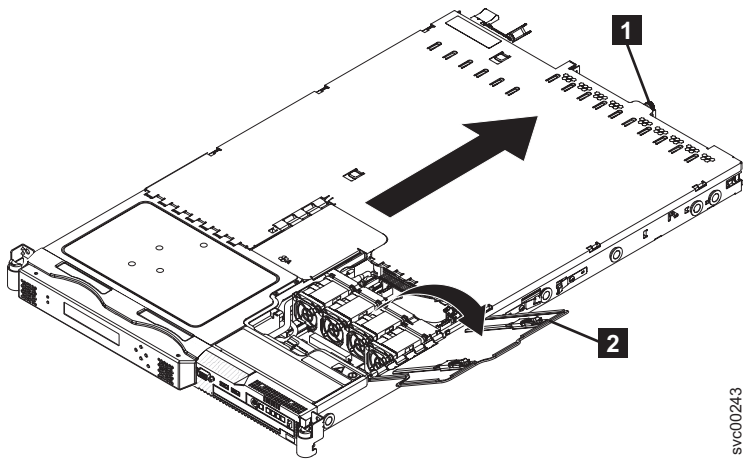


Figure 66. The SAN Volume Controller 2145-8G4 with fan door open

3. Open the fan door **2**. To open the fan door, slide the two latches to the right, and raise the door panel.
4. Remove the SAN Volume Controller 2145-8G4 cover:
 - a. Slide the cover slightly toward the rear of the SAN Volume Controller 2145-8G4 until it comes free. Make sure that the cover tabs all slide away from the insets that are on the front, rear, and sides of the SAN Volume Controller 2145-8G4.
 - b. Lift the cover off the SAN Volume Controller 2145-8G4 and set the cover aside.

Removing the SAN Volume Controller 2145-8F4 or SAN Volume Controller 2145-8F2 top cover

This topic describes how to remove the SAN Volume Controller 2145-8F4 or SAN Volume Controller 2145-8F2 top cover.

Before you begin

Important: Before you turn on the node, replace the cover for proper cooling and airflow. Operating the node for extended periods of time (more than 30 minutes) with the cover removed might damage components.

Before you remove the cover, you must remove all power from the node. To remove all power from the node, see MAP 5350 in the *IBM System Storage SAN Volume Controller Troubleshooting Guide*.

About this task

Perform the following steps to remove the SAN Volume Controller 2145-8F4 or SAN Volume Controller 2145-8F2 top cover:

Procedure

1. Remove the server from the rack:
 - a. Pull the node out, about a third of the way, until it stops.
 - b. Slide both side release latches (left and right) toward the front of the node. Make sure that both rail-lock pins (**2** in Figure 67 on page 85) are in a vertical position, pull the node out, and remove it from the rack.

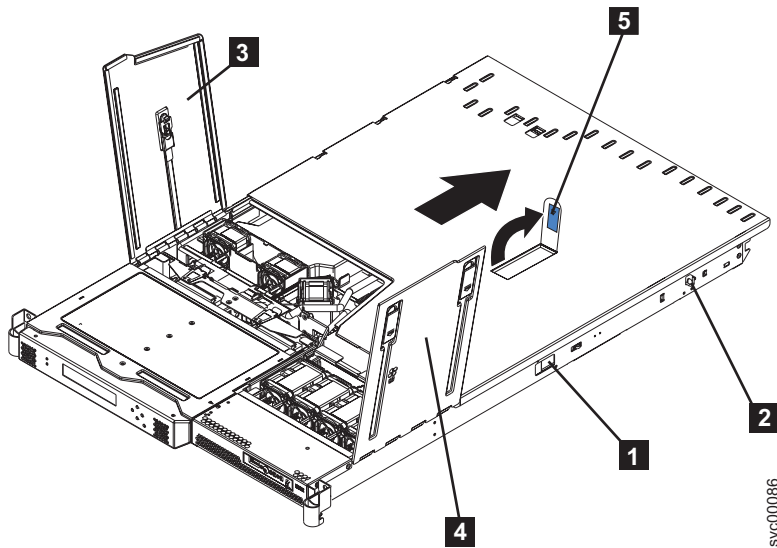


Figure 67. SAN Volume Controller 2145-8F2 or SAN Volume Controller 2145-8F4 with fan doors open

- 1** Side release latch
- 2** Rail lock pin
- 3** Fan door A
- 4** Fan door B
- 5** Cover release latch

2. Open fan door A **3** and fan door B **4**. To open fan door A, slide the slide latch to the left and lift up the door panel. To open fan door B, slide the two slide latches to the right and lift up the door panel.
3. Perform the following steps to remove the SAN Volume Controller 2145-8F4 or SAN Volume Controller 2145-8F2 cover:
 - a. Lift up the cover release latch **5** and slide the cover to the rear of the node.
 - b. Make sure that the SAN Volume Controller 2145-8F4 or SAN Volume Controller 2145-8F2 cover slides away from the insets that are on the front, rear, and sides of the SAN Volume Controller 2145-8F4 or SAN Volume Controller 2145-8F2 cover.
 - c. Lift the cover off the node and set the cover aside.

Replacing the top cover

You must replace the top cover on the SAN Volume Controller node after maintenance is completed.

Replacing the SAN Volume Controller 2145-CG8 or 2145-CF8 top cover

This topic describes how to replace the SAN Volume Controller 2145-CG8 or 2145-CF8 top cover.

Before you begin

Important: Before you slide the cover forward, make sure that all the tabs on both the front, rear, and side of the cover engage the chassis correctly. If all the tabs do not engage the chassis correctly, it will be very difficult to remove the cover later.

About this task

To replace the top cover on the SAN Volume Controller 2145-CG8 or 2145-CF8, complete the following steps:

Procedure

1. If you removed the node from the rack, replace the node in the rack, as described in “Replacing the SAN Volume Controller in a rack” on page 58.
2. To make sure that you can replace cables in the same ports from which they were removed, label the port position of the Fibre Channel cables before removing them from the back of the node.
3. Position the cover on top of the SAN Volume Controller 2145-CG8 or 2145-CF8.

Important: Before you slide the cover forward, make sure that all the tabs on both the front, rear, and side of the cover engage the chassis correctly. If all the tabs do not engage the chassis correctly, it will be very difficult to remove the cover later.

4. Slide the cover toward the front of the node, as shown in Figure 68.

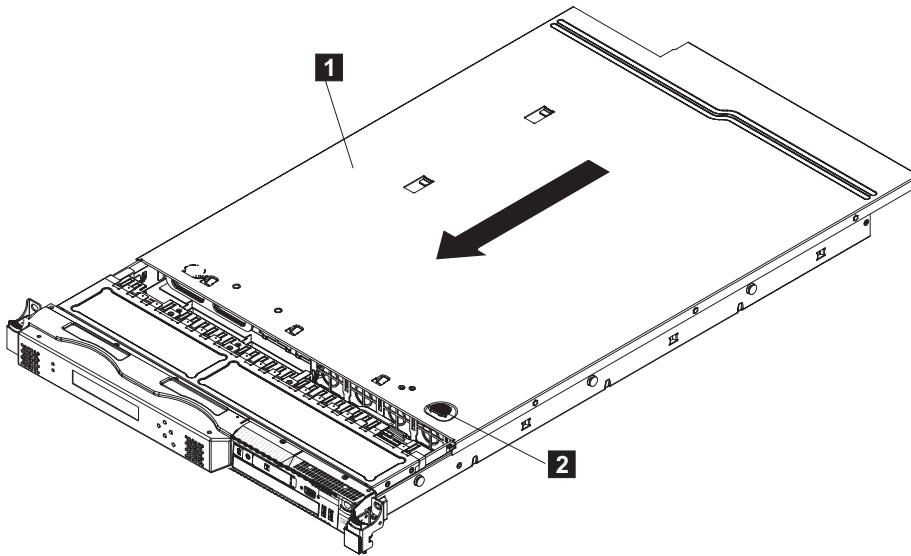


Figure 68. Replacing the SAN Volume Controller 2145-CG8 or 2145-CF8 cover

- 1 Cover
- 2 Blue locking tab

5. Verify that the cover correctly engages all the inset tabs on the node.

Replacing the SAN Volume Controller 2145-8A4 top cover

This topic describes how to replace the SAN Volume Controller 2145-8A4 top cover.

Before you begin

To replace the top cover on the SAN Volume Controller 2145-8A4, complete the following steps:

Procedure

1. Make sure that all internal cables are correctly routed so that they do not interfere with the cover installation.
2. Set the cover on top of the node so that approximately 1.3 cm (0.5 in) extends from the rear.
3. Slide the cover forward and into position.
4. Replace the node in the rack.

Replacing the SAN Volume Controller 2145-8G4 top cover

This topic describes how to replace the SAN Volume Controller 2145-8G4 top cover.

Before you begin

Important: Before you slide the cover forward, make sure that all the tabs on both the front, rear, and side of the cover engage the chassis correctly. If all the tabs do not engage the chassis correctly, it will be very difficult to remove the cover later.

About this task

To replace the top cover on the SAN Volume Controller 2145-8G4, complete the following steps:

Procedure

1. Position the internal cables so that they do not interfere with the cover installation.
2. Position the cover on top of the SAN Volume Controller 2145-8G4 and open the fan door.
3. Tighten the thumbscrew **1**, which is shown in Figure 69, until the cover correctly engages all the inset tabs on the SAN Volume Controller 2145-8G4.

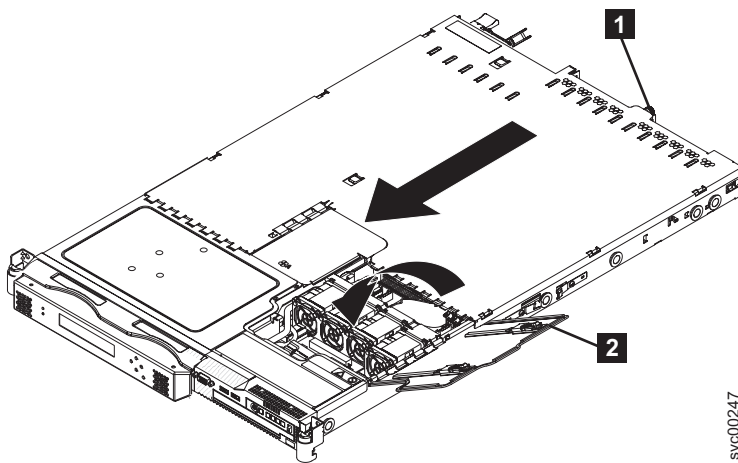


Figure 69. SAN Volume Controller 2145-8G4 with the fan door open

4. Close the fan door **2**.
5. Replace the node in the rack.

Replacing the SAN Volume Controller 2145-8F4 or SAN Volume Controller 2145-8F2 top cover

This topic describes how to replace the SAN Volume Controller 2145-8F4 or SAN Volume Controller 2145-8F2 top cover.

Before you begin

Important: Before you turn on the node, replace the cover for proper cooling and airflow. Operating the node for extended periods of time (more than 30 minutes) with the cover removed might damage components.

Important: Before you slide the cover forward, make sure that all the tabs on both the front, rear, and side of the cover engage the chassis correctly. If all the tabs do not engage the chassis correctly, it will be very difficult to remove the cover later.

About this task

Perform the following steps to replace the SAN Volume Controller 2145-8F4 or SAN Volume Controller 2145-8F2 top cover:

Procedure

1. Position the internal cables so that they do not interfere with the cover installation.
2. Position the cover on top of the node and slide it forward.
3. Press down on the cover release latch **3**, which is shown in Figure 70, until the cover properly engages all the inset tabs on the SAN Volume Controller 2145-8F2.

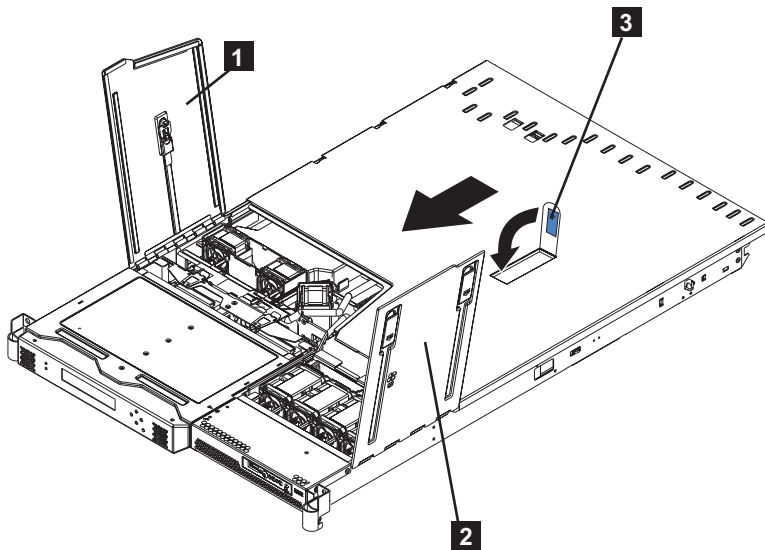


Figure 70. SAN Volume Controller 2145-8F2 with the access doors open

- 1** Fan door A
- 2** Fan door B
- 3** Cover release latch

4. Close the fan doors.
5. Replace the node in the rack.

Removing the service controller

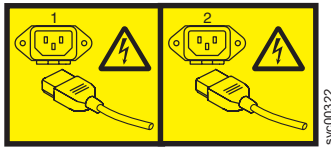
You can remove the service controller from the SAN Volume Controller.

Removing the 2145-CG8 or 2145-CF8 service controller

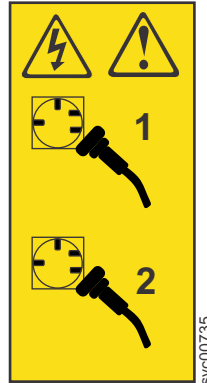
Before you begin

DANGER

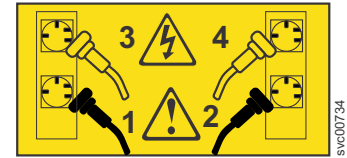
Multiple power cords. The product might be equipped with multiple power cords. To remove all hazardous voltages, disconnect all power cords. (L003)



or



or



About this task

This service action is used in two separate removal and replacement procedures, which each have unique power requirements:

- If you are replacing the service controller, this service action is often written as if you must turn off the node and disconnect the USB service-controller cable. See Fastpath.
- If you are replacing a hot-swap drive, you do not have to turn off the node, and you can leave the service-controller cable attached to the service controller.

To remove the service controller, perform the following steps:

Procedure

1. Read the safety information to which “Preparing to remove and replace parts” on page 26 refers.
2. If you are intending to replace the service controller field-replaceable unit (FRU), use one of the following methods to read and record the WWNN of the node.
 - From the front panel, press the down button until Node: xxxx shows in the display. Press the right button until Node WWNN: nnnnn is displayed and record the five-digit number.
 - From the cluster vital product data (VPD), record the last five digits of the WWNN or the WWPNN of the Fibre Channel ports.

If you cannot obtain the WWNN with either method, obtain the information from your storage-attached network (SAN) switch.

3. If replacing the service controller: Follow the procedure in MAP 5350 in the *IBM System Storage SAN Volume Controller Troubleshooting Guide* to verify that the node data is mirrored and synchronized, and that there are no dependent volumes before turning off the node.
4. Optional: Slide the node out on its slide rails to the fully extended position.

You can leave the Fibre Channel and Ethernet cables connected, if you are using the cable-management arm and if you are not removing the node from the rack. If the location of the node in the rack is too high or too low to work comfortably, you can remove the node from the rack.

Fast path: You can perform this service procedure with the node in place.

5. Locate the recessed, blue service-controller release buttons on each side of the controller. See Figure 71.

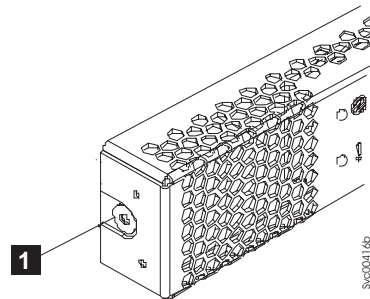


Figure 71. Left release button of a 2145-CG8 or 2145-CF8 service controller

6. Gently press both release buttons, shown by **2** in Figure 72, and release the catch while pulling gently forward on the service controller.
The service controller moves slightly forward.

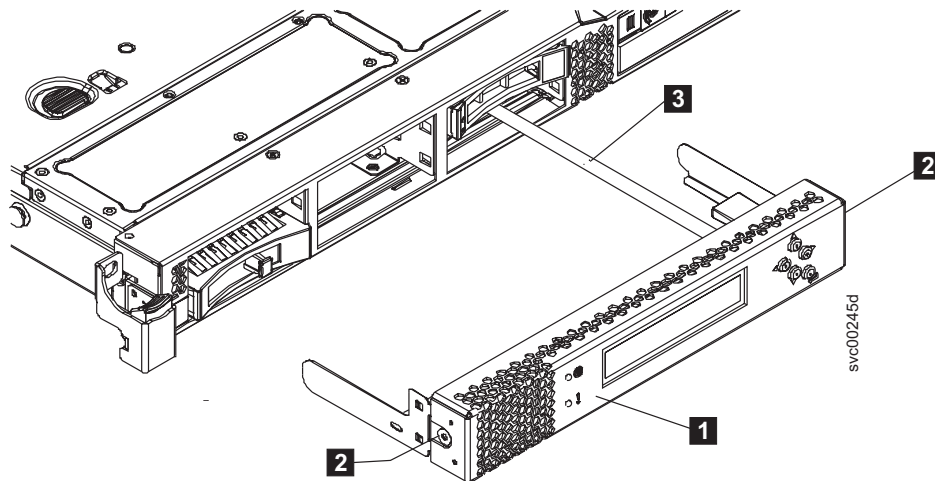


Figure 72. Service controller for the 2145-CG8 or 2145-CF8 with attached USB cable

- 1** Service controller
- 2** Service-controller release buttons
- 3** USB service-controller cable

Attention: If you meet any resistance, do not pull harder, or you might damage the release mechanism.

Stop pressing the release buttons once the service-controller locking mechanism clears the 2145-CG8 or 2145-CF8.

7. Pull the service controller fully out of the frame.
If you are replacing a hot-swap drive, you can leave the service-controller cable attached to the service controller. Rest the service controller on another surface while removing and replacing the drive to prevent strain on the cable.
8. If you are intending to replace the service controller FRU, detach the USB cable, shown by **3** in Figure 73 on page 91, from the service controller.

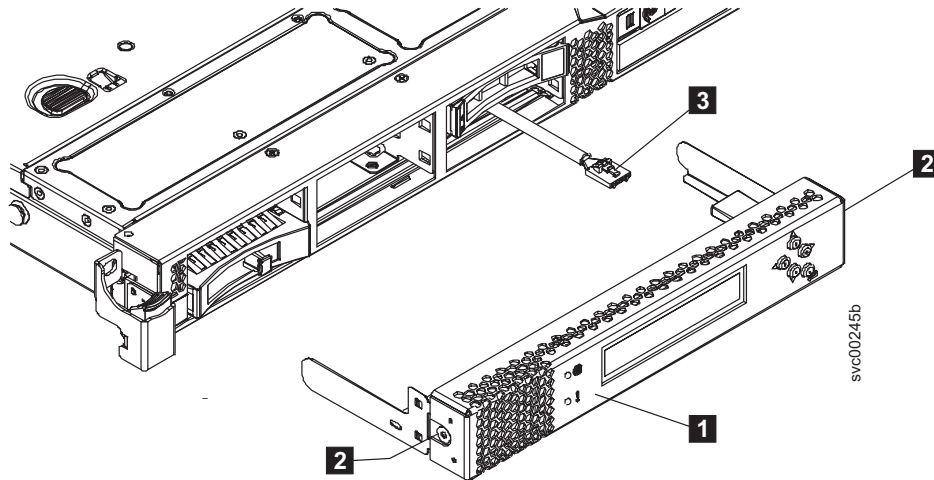


Figure 73. SAN Volume Controller 2145-CG8 or 2145-CF8 service controller

9. If you are intending to replace the service controller FRU, label the one that you are removing to avoid a possible worldwide node name (WWNN) conflict if the service controller is ever reused.

Note: When you replace a service controller, it is normal to change the worldwide node name (WWNN) of the new service controller to match the one that is being replaced. In this case, you will have two service controllers with the same WWNN. Clearly label the service controller that you are removing and indicate that its WWNN is now a duplicate and that it must not be connected to a SAN before its WWNN is reset.

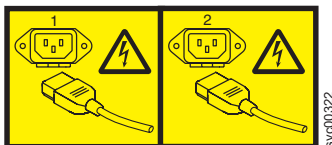
Removing and replacing the SAN Volume Controller 2145-CG8 or 2145-CF8 service controller cable

You can remove and replace the USB service-controller cable in the SAN Volume Controller 2145-CG8 or 2145-CF8.

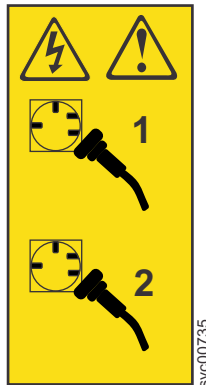
Before you begin

DANGER

Multiple power cords. The product might be equipped with multiple power cords. To remove all hazardous voltages, disconnect all power cords. (L003)



or



or



About this task

This service action requires you to remove the cover and:

- Turn the node off.
- Disconnect the power cables.
- Disconnect or reconnect the USB service-controller data cable.

Perform the following steps to remove or replace the service controller cable.

Procedure

1. Read the safety information to which “Preparing to remove and replace parts” on page 26 refers.
2. Follow the procedure in MAP 5350 in the *IBM System Storage SAN Volume Controller Troubleshooting Guide* to verify that the node data is mirrored and synchronized, and that there are no dependent volumes before turning off the node.
3. Slide the node out on its slide rails to the fully extended position.
You can perform most service actions when the node is fully extended from the rack on its slide rails. If the location of the node in the rack is too high or too low to work comfortably, you can remove the node from the rack.
4. When the node is completely turned off, remove the cable-retention brackets and disconnect the power cables, as described in “Removing the cable-retention bracket” on page 34.
5. Optional: If you must remove the node from the rack to work on it, perform the following procedure to remove all cables and remove the node from the rack:
 - a. To make sure that you can replace all cables in the same ports from which they were removed, label the port position of each Fibre Channel and Ethernet cable; then remove all cables from the back of the node.
 - b. Remove the node from the rack and place it on a flat, static-protective surface. See “Removing the SAN Volume Controller from a rack” on page 47.
6. Remove the top cover. See “Removing the top cover” on page 80.
7. Remove the service controller from the SAN Volume Controller 2145-CG8 or 2145-CF8, as described in “Removing the 2145-CG8 or 2145-CF8 service controller” on page 89.
8. Remove or replace the USB service-controller cable.
To remove the USB service-controller cable, perform the following procedure:
 - a. Disconnect the USB cable (**1** in Figure 74 on page 93) from the service controller (**2**).

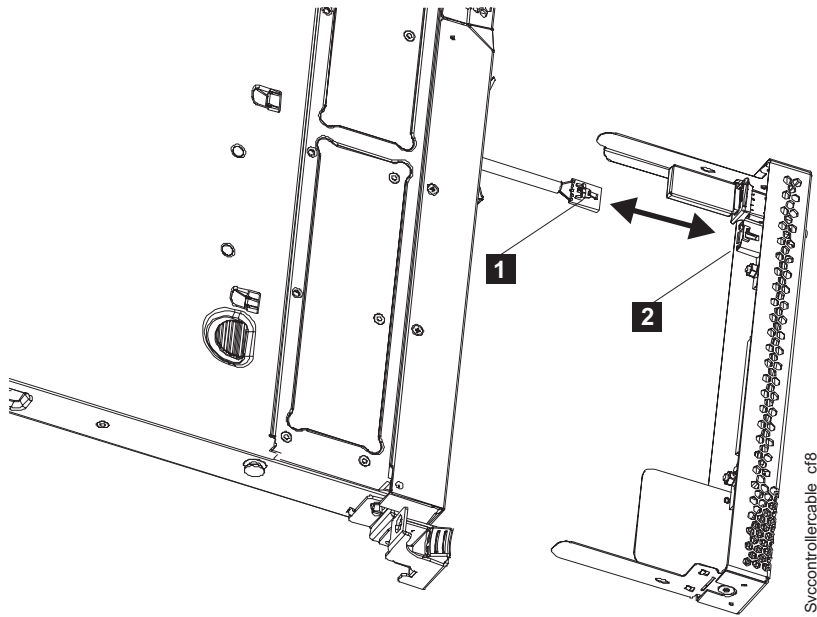


Figure 74. Removing and replacing the USB cable in the SAN Volume Controller 2145-CG8 or 2145-CF8 service controller

- 1** USB cable
- 2** USB connector

- b. Locate the USB connector (**1** in Figure 75 on page 94) on the left side of the SAN Volume Controller 2145-CG8 or 2145-CF8.

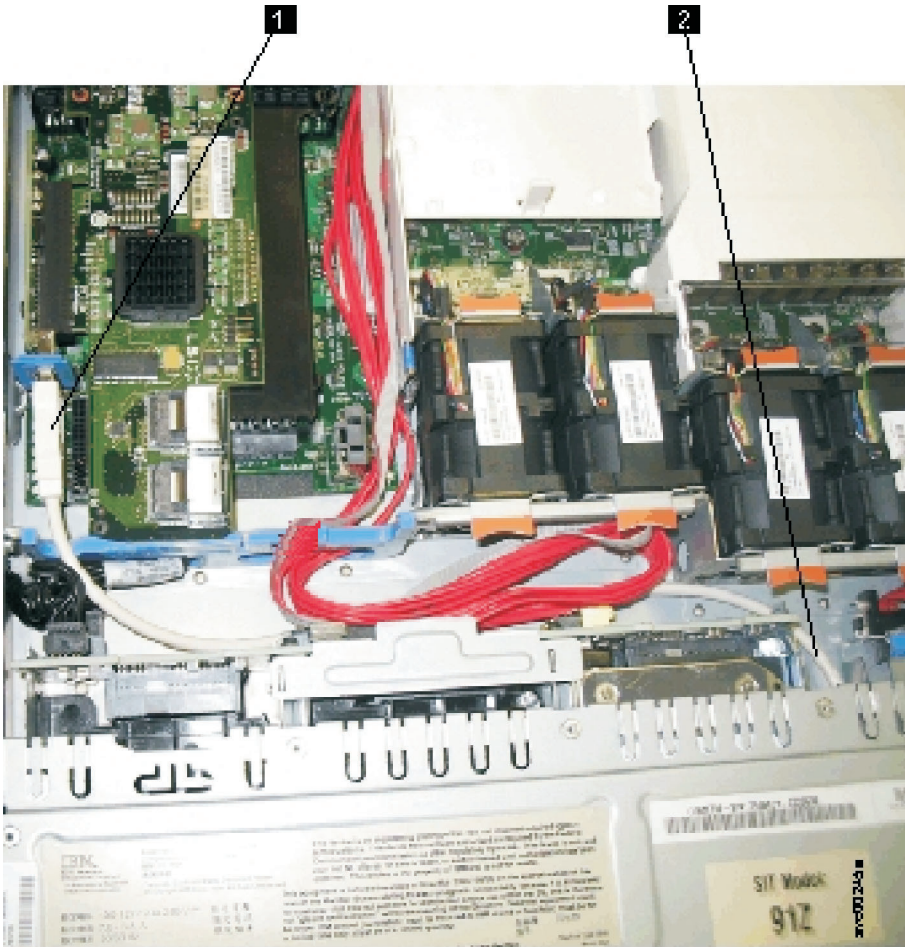


Figure 75. USB service-controller cable connected to the disk controller and USB riser card (SAN Volume Controller 2145-CF8 shown)

- 1** USB connector on the disk controller and USB riser card
 - 2** USB cable
- c. Grasp the blue lockbar (**2** in Figure 76 on page 95) and slide it toward the USB riser-card assembly (**3**) to the unlock position and remove the USB cable (**1**) from the connector.

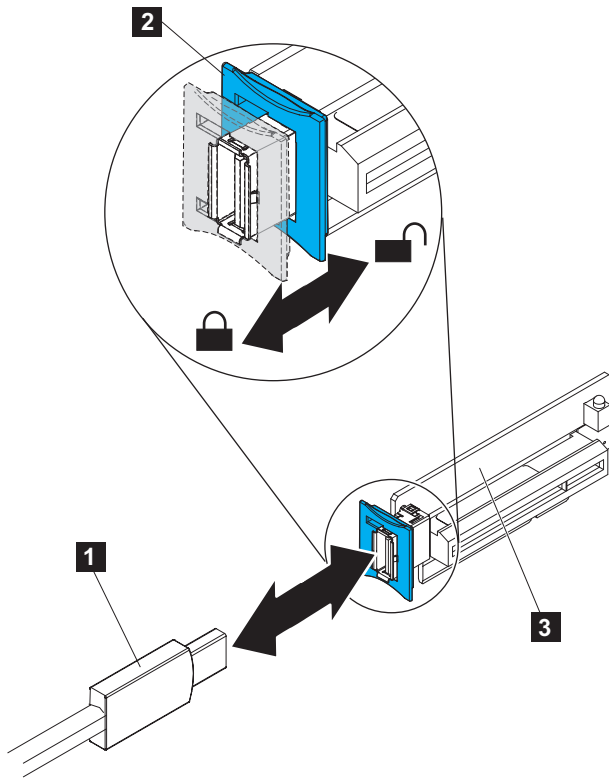


Figure 76. USB service-controller cable connector on the USB riser card

d. Remove the cable from the node.

To replace the USB service-controller cable, perform the following procedure:

- a. To reinstall the cable, *carefully* thread the USB cable through disk-drive bay 5, routing the larger connector of the cable to the USB connector (**1** in Figure 75 on page 94) on the USB riser card. Route the cable beneath any red SAS cables that are attached to the disk backplane.
- b. Align the USB service-controller cable (**1** in Figure 76) with the connector on the USB riser-card assembly (**3**) and push it into the connector until it is firmly seated.
- c. Slide the blue lockbar (**2**) toward the USB service-controller cable to the locked position until it is seated firmly.
- d. Install the other end of the USB cable in the USB connector (**2** in Figure 74 on page 93) on the rear of the service controller.
- e. Carefully install the service controller, as described in “Replacing the SAN Volume Controller 2145-CG8 or 2145-CF8 service controller” on page 99.

Important: Ensure that the USB cable is pushed back into the empty drive bay, and ensure that the cable is not trapped above or below the bay.

9. After replacing the cable and the service controller, perform the procedure to replace the top cover, as described in “Replacing the top cover” on page 85.

After performing the procedure, the node is reinstalled in the rack with the power on.

Removing the SAN Volume Controller 2145-8A4 service controller

About this task

To remove the service controller, perform the following steps:

Procedure

1. Turn off the node while ensuring that its data is mirrored and synchronized. See MAP 5350 in the *IBM System Storage SAN Volume Controller Troubleshooting Guide* for more information.
2. Remove the cable-retention bracket and disconnect the power cable from the node. See “Removing the cable-retention bracket” on page 34.
3. Locate the recessed service controller release button on the left side of the controller, which is marked in blue, as shown in Figure 77.

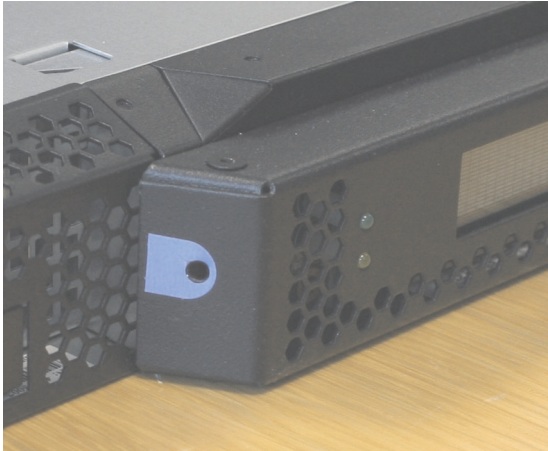


Figure 77. SAN Volume Controller 2145-8A4 service controller release button

4. Use a small screwdriver to gently press the release button and release the catch while pulling gently forward on the service controller. The service controller will move slightly forward.

Note: If you meet any resistance, do not press harder, or you might damage the release mechanism.

5. You can stop pressing the release button and pull the service controller fully out of the frame

Note: When you replace a service controller, it is normal to change the worldwide node name (WWNN) of the new service controller to match the one that is being replaced. In this case, you will have two service controllers with the same WWNN. Clearly label the service controller that you are removing and indicate that its WWNN is now a duplicate and that it must not be connected to a SAN before its WWNN is reset.

Removing the SAN Volume Controller 2145-8G4 service controller

About this task

To remove the service controller, perform the following steps:

Procedure

1. Locate the recessed service controller release button on the left side of the controller, which is marked in blue, as shown in Figure 78 on page 97.



Figure 78. SAN Volume Controller 2145-8G4 service controller release button

2. Use a small screwdriver to gently press the release button and release the catch while pulling gently forward on the service controller. The service controller will move slightly forward.

Note: If you meet any resistance, do not press harder, or you might damage the release mechanism.

3. You can stop pressing the release button and pull the service controller fully out of the frame, as shown in Figure 79

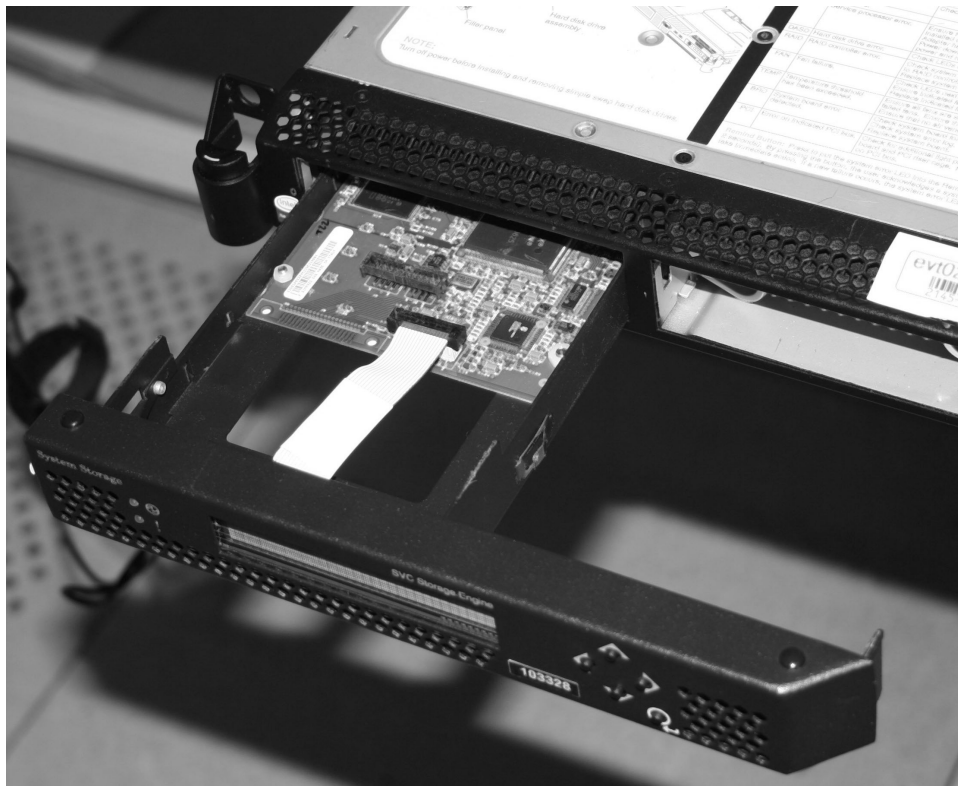


Figure 79. Removing the service controller from the SAN Volume Controller 2145-8G4

Note: When you replace a service controller, it is normal to change the worldwide node name (WWNN) of the new service controller to match the one that is being replaced. In this case, you will have two service controllers with the same WWNN. Clearly label the service controller that you are removing and indicate that its WWNN is now a duplicate and that it must not be connected to a SAN before its WWNN is reset.

Removing the SAN Volume Controller 2145-8F4 or SAN Volume Controller 2145-8F2 service controller

About this task

To remove the service controller, perform the following steps:

Procedure

1. If you are replacing the service controller, see MAP 5350 in the *IBM System Storage SAN Volume Controller Troubleshooting Guide* for more information.
2. Open fan door A (**1** in Figure 80) of the node.

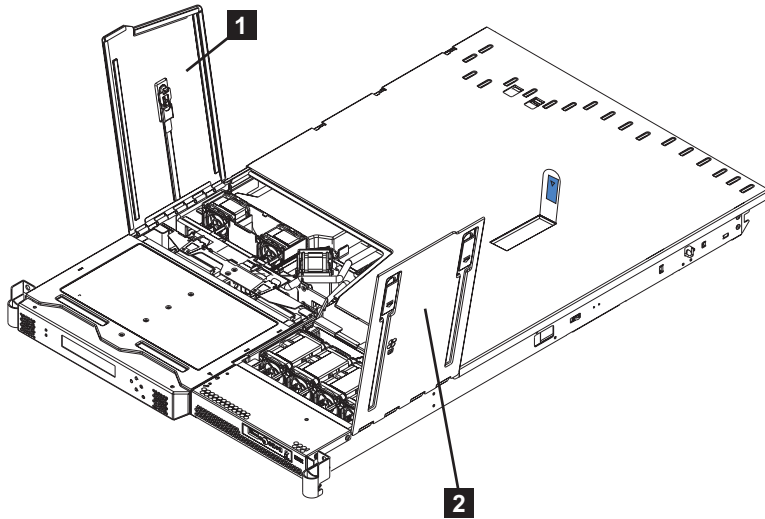


Figure 80. SAN Volume Controller 2145-8F2 or SAN Volume Controller 2145-8F4 with fan doors open

1 Fan door A

2 Fan door B

3. Lift the two blue levers on the rear of the cage assembly to release it from the frame.
4. Lift the cage assembly until the blue release latch (**1** in Figure 81 on page 99) on the left side of the service controller assembly is accessible.

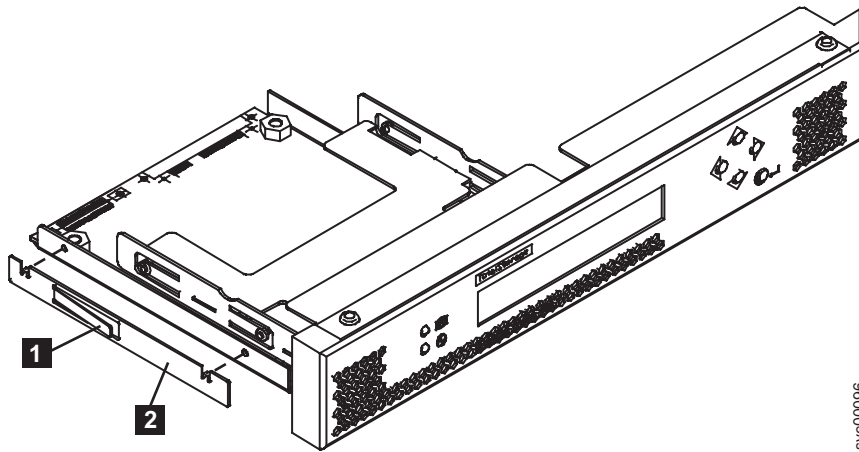


Figure 81. SAN Volume Controller 2145-8F2 or SAN Volume Controller 2145-8F4 service controller

1 Release latch

2 Retention clip

5. Press the release latch **1** and then pull the service controller forward and out of the cage assembly.

Note: When you replace a service controller, it is normal to change the worldwide node name (WWNN) of the new service controller to match the one that is being replaced. In this case, you will have two service controllers with the same WWNN. Clearly label the service controller that you are removing and indicate that its WWNN is now a duplicate and that it must not be connected to a SAN before its WWNN is reset.

6. Remove the retention clip **2**. Make sure to save the retention clip for when you reinstall the node.

Replacing the service controller

You can replace the SAN Volume Controller service controller.

Replacing the SAN Volume Controller 2145-CG8 or 2145-CF8 service controller

Use the following information to replace the SAN Volume Controller 2145-CG8 or 2145-CF8 service controller.

About this task

To replace the service controller, perform the following steps:

Procedure

1. When the service controller, as shown by **1** in Figure 82 on page 100, is close enough to the USB cable (**3**), attach the cable to the service controller, if necessary.

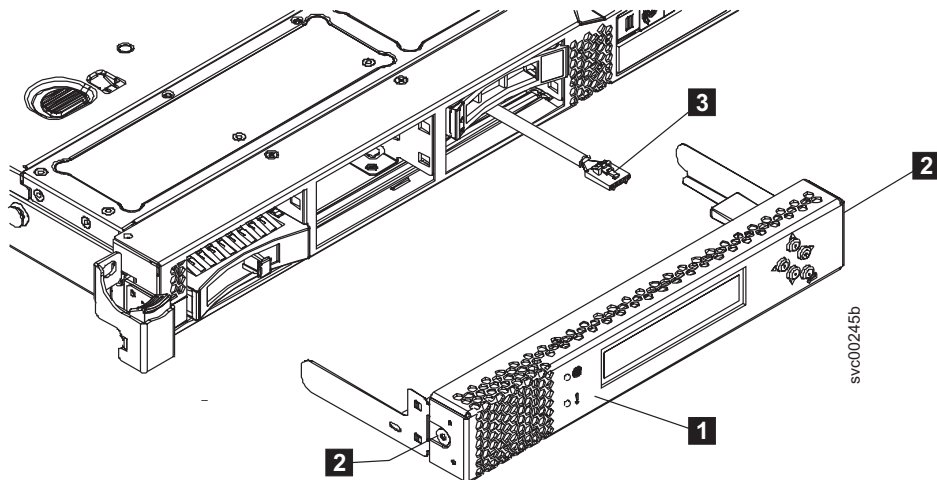


Figure 82. SAN Volume Controller 2145-CG8 or 2145-CF8 service controller (SAN Volume Controller 2145-CF8 shown)

- 1** Service controller
- 2** Service-controller release buttons
- 3** USB service-controller cable

2. Align the service controller with the service controller bay on the SAN Volume Controller 2145-CG8 or 2145-CF8 node, and gently begin to push the service controller into the node.
3. Continue gently pushing the service controller into the frame until the rear connectors are fully seated and the front metal work of the service controller is up to the frame.

Important: Ensure that the USB cable is pushed back into the empty drive bay, and ensure that the cable is not trapped above or below the bay.

4. If you removed the node from the rack, replace the node in the rack, as described in “Replacing the SAN Volume Controller in a rack” on page 58.
5. If you removed any Fibre Channel or Ethernet cables, use the labels you placed on each cable to replace all Fibre Channel and Ethernet cables in the same ports from which they were removed.
6. If you removed the power cords, replace the power cords and the cable-retention brackets, as described in “Replacing the cable-retention bracket” on page 40.
7. If you pulled out the node to the fully-extended position on the rack, lift the locking levers (**1** in Figure 83 on page 101) on the slide rails and push the server **2** all the way into the rack until it clicks into place.

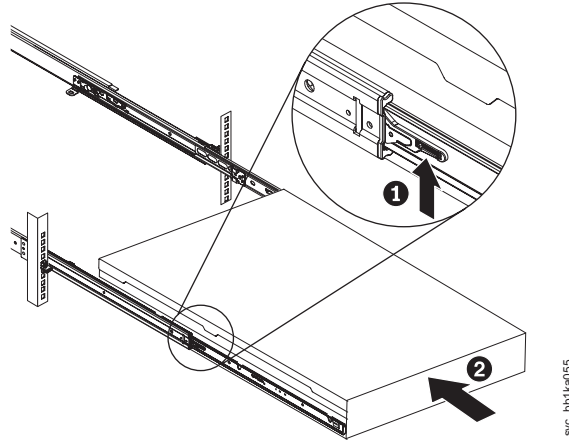


Figure 83. Raising the locking levers of the slide rails of the rack

8. Turn on the node.

Note: The worldwide port names (WWPNs) of the Fibre Channel ports are derived from the worldwide node name (WWNN) of the service controller. If you do not perform step 9, you might have to rezone the Fibre Channel switches if the switch zoning uses WWPN. You must restart the host systems before they are able to access disks through this node.

9. If you replaced the service controller as part of concurrent maintenance, you must rewrite the WWNN on the new service controller. If you do not, and the Fibre Channel switch zoning uses WWPNs, you cannot add the node back into the cluster until the Fibre Channel switches in the SAN are rezoned. The host systems cannot access the Fibre Channel ports on that node until the host systems are reconfigured.

The node finally stops with **Validate WWNN** in the front panel. Press **select** and use the left and right buttons until either **Disk WWNN** or **Panel WWNN** is displayed. If you use **Disk WWNN**, which is what the node was using before the service controller was changed, you do not have to reconfigure SAN switches and applications.

Press and release the down button until **Use Disk WWNN** is displayed. If your selection is correct, press **Select** to verify that the WWNN that you set matches the WWNN that you recorded when you removed the service controller.

You must choose either the WWNN stored on disk or the WWNN stored on the service controller to allow the node to start. If neither of these options is suitable, see the **Change WWNN?** option from the front panel **Actions** options for instructions on changing the value.

What to do next

Wait one minute. If **Cluster: cluster_name** is displayed, the node has rejoined the cluster. If **Cluster:** does not display, see "MAP 5000" in the *IBM System Storage SAN Volume Controller Troubleshooting Guide* to determine how to solve this problem or contact the IBM support center.

Replacing the SAN Volume Controller 2145-8A4 service controller

Use the following information to replace the SAN Volume Controller 2145-8A4 service controller.

About this task

To replace the service controller, perform the following steps:

Procedure

1. Gently push the service controller (shown in Figure 84) into the frame until the rear connectors are fully seated and the service controller front metal work is up to the frame.

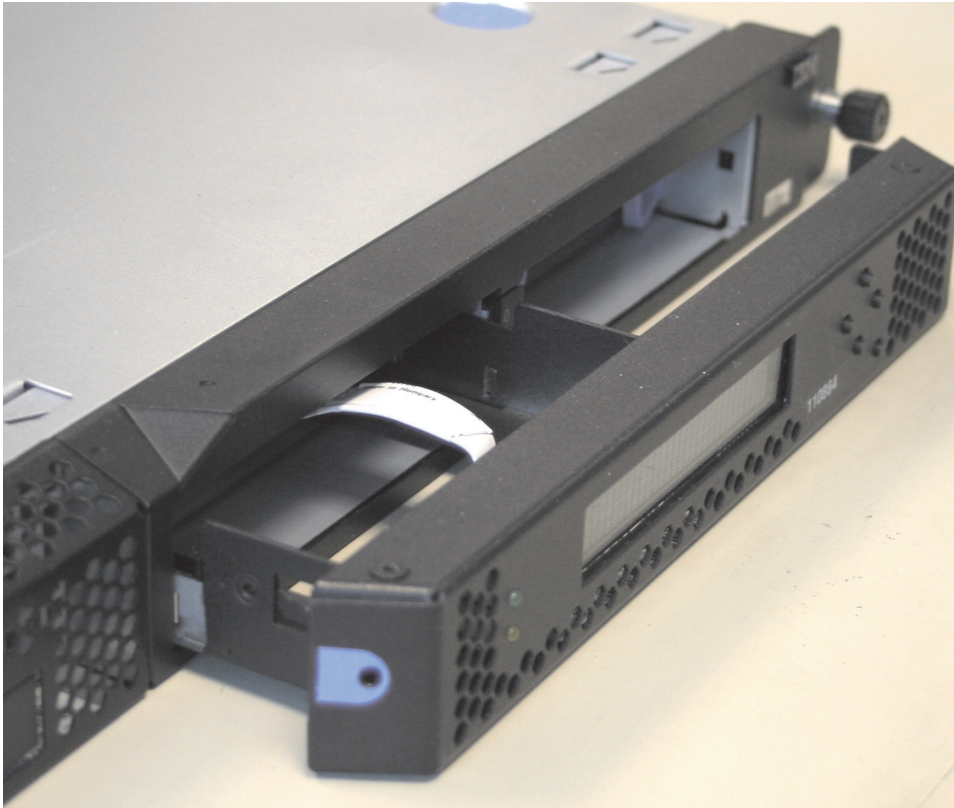


Figure 84. SAN Volume Controller 2145-8A4 service controller

2. Connect the power cable to the node and replace the cable-retention bracket. See “Replacing the cable-retention bracket” on page 40.

Note: If you replaced the service controller as part of concurrent maintenance, you must rewrite the WWNN on the new service controller. If you do not, and the Fibre Channel switch zoning uses WWPNNs, you cannot add the node back into the cluster until the Fibre Channel switches in the SAN are re-zoned. Also, the host systems cannot access the Fibre Channel ports on that node until the host systems are rebooted.

You must choose either the WWNN stored on disk or the WWNN stored on the service controller to allow the node to start. If neither of these options is suitable, see the Change WWNN? option from the front panel Actions options for instructions on changing the value.

What to do next

Wait one minute. If Cluster: is displayed on the front panel, this indicates that the node is ready to be added to the system. If Cluster: does not display, see MAP 5000 in the *IBM System Storage SAN Volume Controller Troubleshooting Guide* to determine how to solve this problem or contact the IBM support center.

Replacing the SAN Volume Controller 2145-8G4 service controller

Use the following information to replace the SAN Volume Controller 2145-8G4 service controller.

About this task

To replace the service controller, perform the following steps:

Procedure

1. Gently push the service controller (shown in Figure 85) into the frame until the rear connectors are fully seated and the service controller front metal work is up to the frame.



Figure 85. SAN Volume Controller 2145-8G4 service controller

2. Slide the SAN Volume Controller 2145-8G4 back into the rack and check that all cables are still firmly in place.
3. Connect the power cable to the node and replace the cable-retention bracket. See “Replacing the cable-retention bracket” on page 40.

Note: The worldwide port names (WWPNs) of the Fibre Channel ports are derived from the worldwide node name (WWNN) of the service controller. If you do not perform step 4, you might have to re-zone the Fibre Channel switches if the switch zoning uses WWPN. You must restart the host systems before they are able to access disks through this node.

4. If you replaced the service controller as part of concurrent maintenance, you must rewrite the WWNN on the new service controller. If you do not, and the Fibre Channel switch zoning uses WWPNs, you cannot add the node back into the cluster until the Fibre Channel switches in the SAN are re-zoned. Also, the host systems cannot access the Fibre Channel ports on that node until the host systems are rebooted.

You must choose either the WWNN stored on disk or the WWNN stored on the service controller to allow the node to start. If neither of these options is suitable, see the Change WWNN? option from the front panel Actions options for instructions on changing the value.

What to do next

Wait one minute. If Cluster: is displayed on the front panel, this indicates that the node is ready to be added to the system. If Cluster: does not display, see "MAP 5000" in the *IBM System Storage SAN Volume Controller Troubleshooting Guide* to determine how to solve this problem or contact the IBM support center.

Replacing the SAN Volume Controller 2145-8F4 or SAN Volume Controller 2145-8F2 service controller

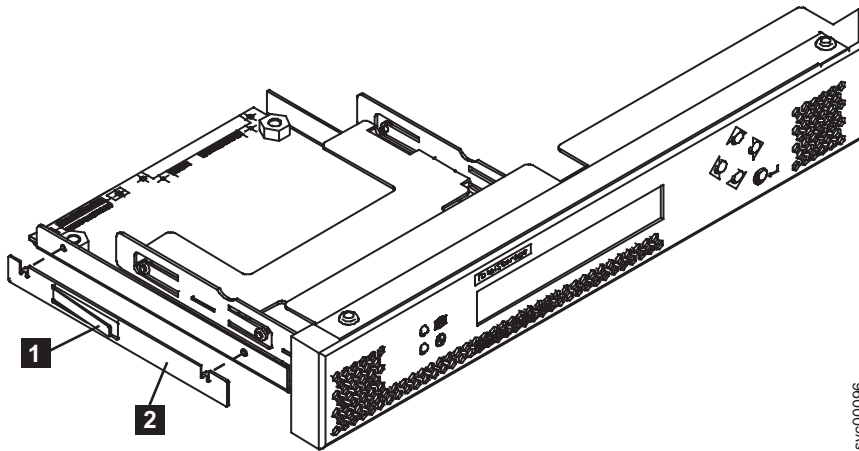
Use the following information to replace the SAN Volume Controller 2145-8F4 or SAN Volume Controller 2145-8F2 service controller.

About this task

To replace the service controller, perform the following steps:

Procedure

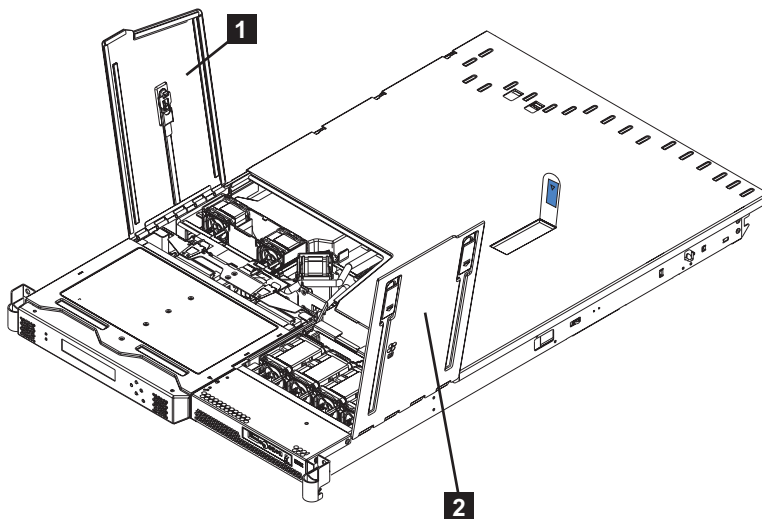
1. Place the retention clip (**2** in Figure 86) over the locating holes on the left side of the service controller.



svc00096

Figure 86. SAN Volume Controller 2145-8F2 or SAN Volume Controller 2145-8F4 service controller

2. Push the service controller into the cage until the retention clip engages.
3. Relocate the cage assembly and close the blue levers to secure the cage assembly to the frame.
4. Close the fan door (**1** in Figure 87) and replace the node in the rack.



svc00097

Figure 87. SAN Volume Controller 2145-8F2 or SAN Volume Controller 2145-8F4 with fan doors open

Note: The worldwide port names (WWPNs) of the Fibre Channel ports are derived from the worldwide node name (WWNN) of the service controller. If you do not perform step 5, you might have to re-zone the Fibre Channel switches if the switch zoning uses WWPN. You must restart the host systems before they are able to access disks through this node.

5. If you replaced the service controller as part of concurrent maintenance, you must rewrite the WWNN on the new service controller. If you do not, and the Fibre Channel switch zoning uses WWPNs, you cannot add the node back into the cluster until the Fibre Channel switches in the SAN are re-zoned. Also, the host systems cannot access the Fibre Channel ports on that node until the host systems are rebooted.

You must choose either the WWNN stored on disk or the WWNN stored on the service controller to allow the node to start. If neither of these options is suitable, see the Change WWNN? option from the front panel Actions options for instructions on changing the value.

What to do next

Wait one minute. If `Cluster:` is displayed on the front panel, this indicates that the node is ready to be added to the system. If `Cluster:` does not display, see "MAP 5000" in the *IBM System Storage SAN Volume Controller Troubleshooting Guide* to determine how to solve this problem or contact the IBM support center.

Replacing a disk drive and a service controller on the SAN Volume Controller

When you replace a service controller at the same time that you replace the disk drive, you might not be able to perform a node rescue because the nonvolatile memory in the "new" service controller does not contain the operating system software required to do so.

Also, if you must replace the hard disk and the service controller at the same time, you cannot boot the node to perform node rescue. If you find that you cannot run node rescue, then use the following procedure to perform the rescue:

- Swap the service controller with a service controller from a working node. The results are the following:
 - The "new" service controller that is swapped into the working node has its nonvolatile memory updated when the node is booted from the hard disk.
 - The service controller that is swapped into the failed node from the working node contains the operating system that is required to perform node rescue on that failed node.
- When all updates are complete, swap the service controllers again, returning them to their original nodes.

Removing and replacing the SAN Volume Controller power-cable assembly

Make sure that power to the SAN Volume Controller is turned off before you remove the power-cable assembly. Turn off the node while ensuring that its data is mirrored and synchronized, as described in MAP 5350 in the *IBM System Storage SAN Volume Controller Troubleshooting Guide*.

Before you begin

The power-cable assembly is composed of a power cable (two power cables in the SAN Volume Controller model 2145-CG8 or model 2145-CF8) and a signal cable that are bound together. You can remove the power-cable assembly if you have problems with the power supply and suspect that a power or signal cable is defective. When removing the power-cable assembly, ensure that you also remove it from the uninterruptible power supply.

About this task

Perform the following steps to remove the power-cable assembly:

Procedure

1. Check the SAN Volume Controller models 2145-CG8, 2145-CF8, 2145-8A4, 2145-8G4, and 2145-8F4 or 2145-8F2 power LED (**1** in Figure 88).
 - If the light is on, go to step 2.
 - If the light is either off or flashing, power has already been removed from the SAN Volume Controller. Go to step 7 on page 107.

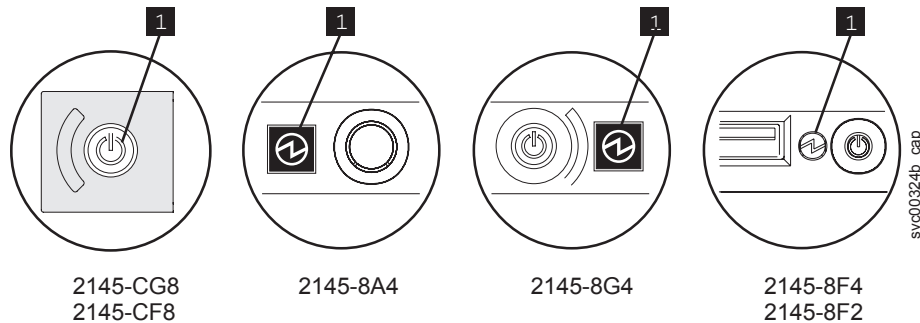


Figure 88. Power LED on the SAN Volume Controller models 2145-CG8, 2145-CF8, 2145-8A4, 2145-8G4, and 2145-8F4 or 2145-8F2 operator-information panel

1 Power LED

Important: SAN Volume Controller nodes operate in pairs. Both SAN Volume Controller nodes are in the same I/O group. One SAN Volume Controller must be operational if you are servicing the other SAN Volume Controller. If both SAN Volume Controller nodes are not functioning, you cannot access any of the disks in that I/O group.

2. Turn off the node while ensuring that its data is mirrored and synchronized. See MAP 5350 in the *IBM System Storage SAN Volume Controller Troubleshooting Guide* for more information.

Attention: If both SAN Volume Controller nodes are online, removing the power from one SAN Volume Controller can cause performance degradation while I/O operations are automatically rerouted to other SAN Volume Controller. Ensure that this performance outcome is acceptable before continuing with this procedure.
3. Press and release the power-control button **1** shown in Figure 89 on page 107 for SAN Volume Controller models 2145-CG8, 2145-CF8, 2145-8A4, 2145-8G4, and 2145-8F4 or 2145-8F2. Wait one minute for the SAN Volume Controller to turn off. Ignore a missing node error code if displayed by other nodes in the cluster. When maintenance procedures are completed, the error will resolve itself.

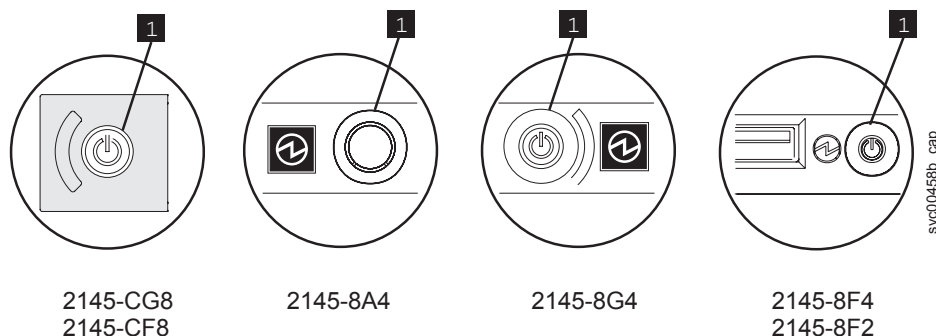


Figure 89. SAN Volume Controller models 2145-CG8, 2145-CF8, 2145-8A4, 2145-8G4, and 2145-8F4 or 2145-8F2 power-control button

1 Power-control button

4. For the SAN Volume Controller model 2145-CG8 or model 2145-CF8, pull back the cable-management arm, remove any cable ties or hook-and-loop fasteners that might be securing the power cords, and free the power cords from the cable-management arm.
5. For the SAN Volume Controller model 2145-CG8, 2145-CF8, 2145-8A4, 2145-8G4, or 2145-8F4, remove the cable-retention bracket, as described in “Removing the cable-retention bracket” on page 34.
6. Remove the cable-retention bracket from the 2145 UPS-1U, as described in “Removing and replacing the 2145 UPS-1U power cable-retention bracket” on page 321.
7. Remove the power cord and serial cable from the back of the SAN Volume Controller node (or both power cords from the back of the SAN Volume Controller 2145-CG8 or 2145-CF8).
8. Replace the power cord (or both power cords for the SAN Volume Controller 2145-CG8 or 2145-CF8) and verify that each cord that you replace is seated well.
9. Replace the serial cable for the SAN Volume Controller 2145-CG8 or 2145-CF8) and verify that each serial cable that you replace is seated well.
10. Replace the SAN Volume Controller model 2145-CG8, 2145-CF8, 2145-8A4, 2145-8G4, or 2145-8F4 cable-retention bracket and the 2145 UPS-1U cable-retention bracket.
11. For the SAN Volume Controller model 2145-CG8 or 2145-CF8, route the power cords on the cable-management arm, secure the power cords with cable ties or hook-and-loop fasteners, and close the cable-management arm.
12. If the SAN Volume Controller does not turn on automatically, press and release the power-control button.

Removing the memory modules (DIMM)

You can remove a memory module.

Before you begin

The memory modules are electrostatic-discharge (ESD) sensitive. Take precautions to avoid damage from static electricity.

Locating memory modules

If you do not need to remove all of the memory modules, use this information to locate a specific memory module for the SAN Volume Controller model.

Before you begin

After you find the location of the faulty memory module, go to “Removing memory modules” on page 111.

About this task

- SAN Volume Controller 2145-CG8: The SAN Volume Controller 2145-CG8 node uses three modules in DIMM slots **3**, **6**, and **9**, as shown in Figure 90.

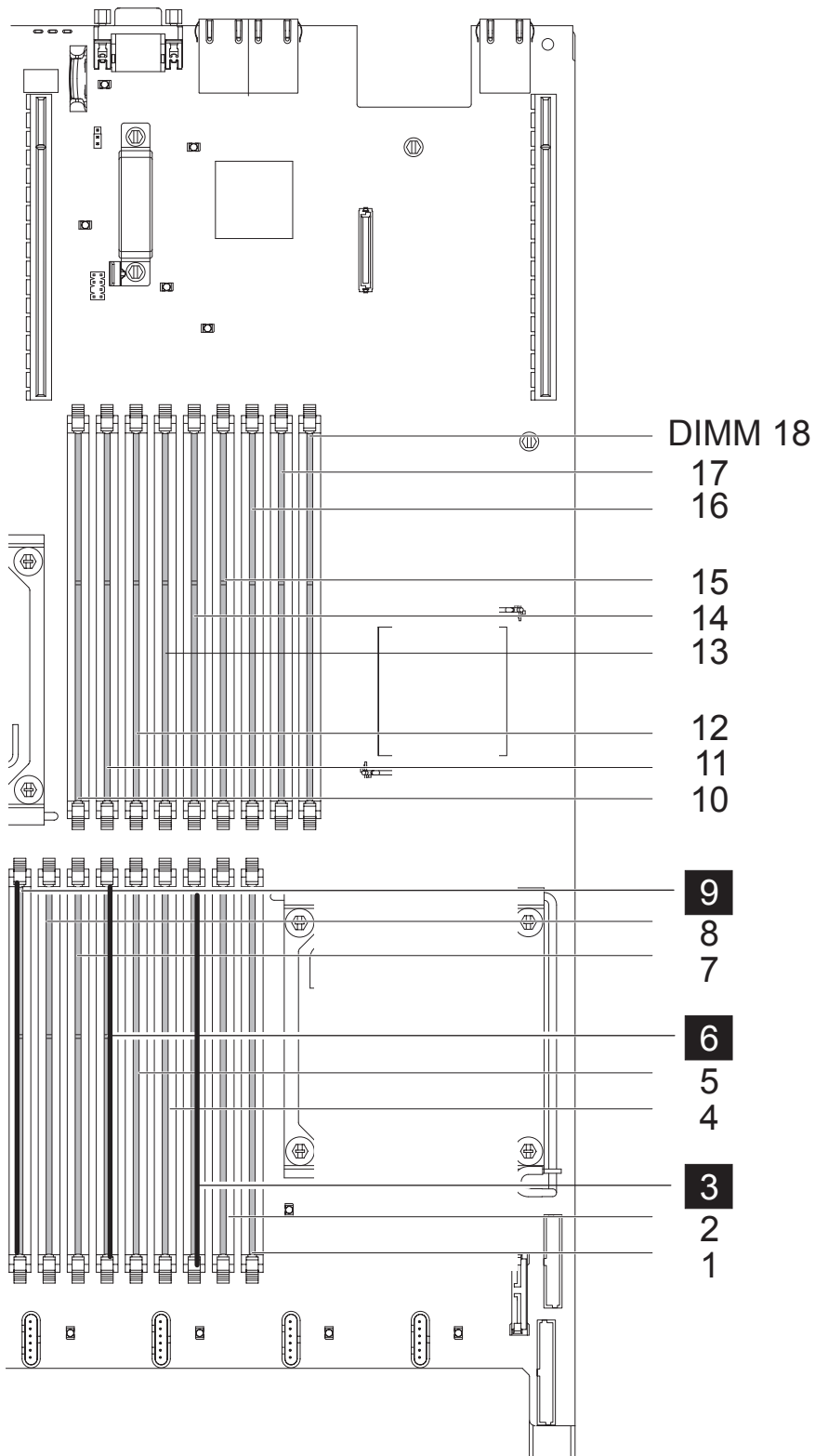


Figure 90. Locating the SAN Volume Controller 2145-CG8 memory modules

- SAN Volume Controller 2145-CF8: The SAN Volume Controller 2145-CF8 node uses six modules in DIMM slots **2**, **3**, **5**, **6**, **7**, and **8**, as shown in Figure 91.

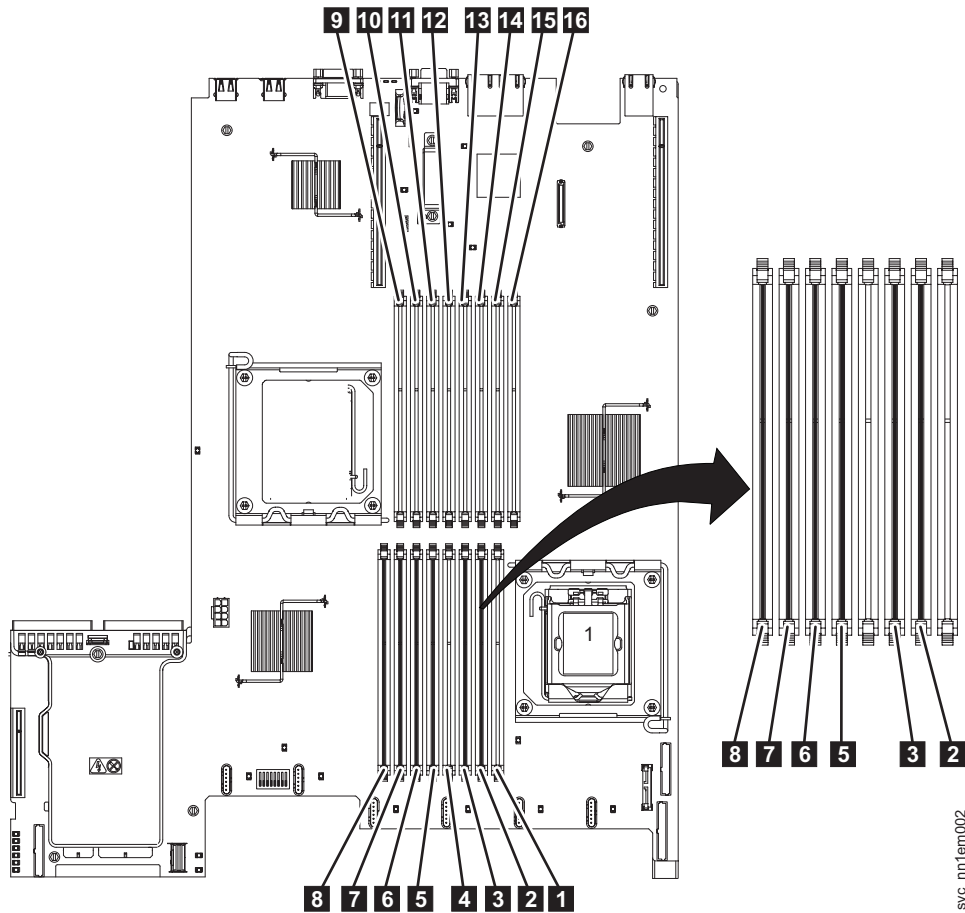


Figure 91. Locating the SAN Volume Controller 2145-CF8 memory modules

- SAN Volume Controller 2145-8A4: These modules are numbered **1** through **4**, as shown in Figure 92 on page 110.

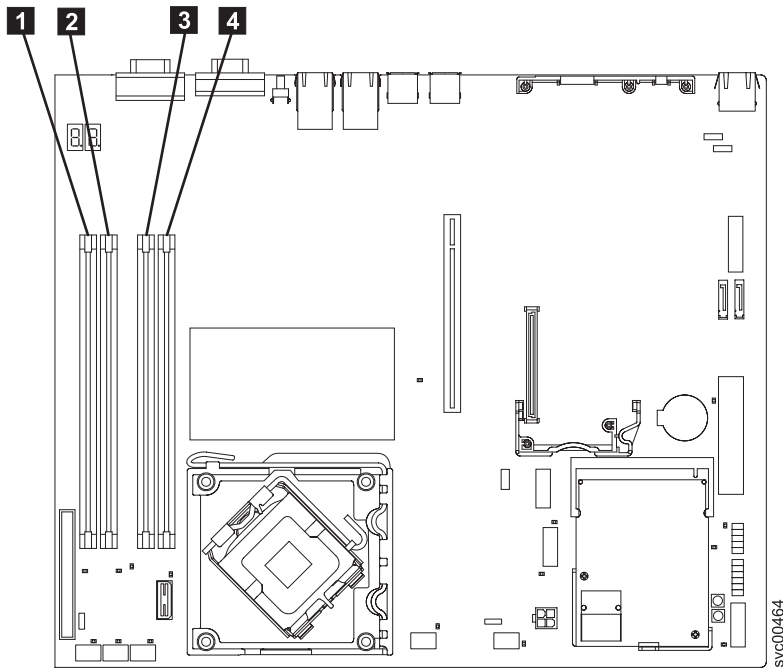


Figure 92. Locating the SAN Volume Controller 2145-8A4 memory modules

- SAN Volume Controller 2145-8G4: There are two versions of this node.
 - The original version (Rev 1) uses eight 1 GB memory modules in slots **1** through **8**, which are shown in Figure 93.
 - The second version of this node (Rev 2) uses four 2 GB memory modules in slots **1**, **3**, **5**, and **7**.

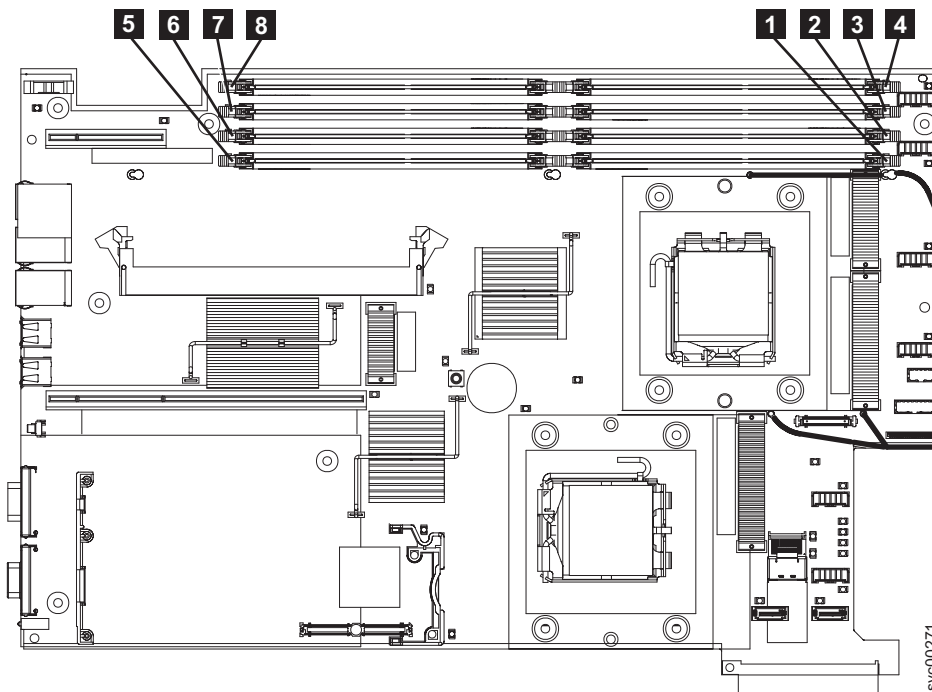


Figure 93. Locating the SAN Volume Controller 2145-8G4 memory modules

- SAN Volume Controller 2145-8F4 or SAN Volume Controller 2145-8F2: These modules are numbered **1** through **8**, as shown in Figure 94.

Note: If more than one SAN Volume Controller 2145-8G4, SAN Volume Controller 2145-8F4, or SAN Volume Controller 2145-8F2 DIMM is indicated by the light path diagnostics, replace the DIMMs one-at-a-time, starting at the lowest numbered DIMM slot that is indicated by the diagnostics.

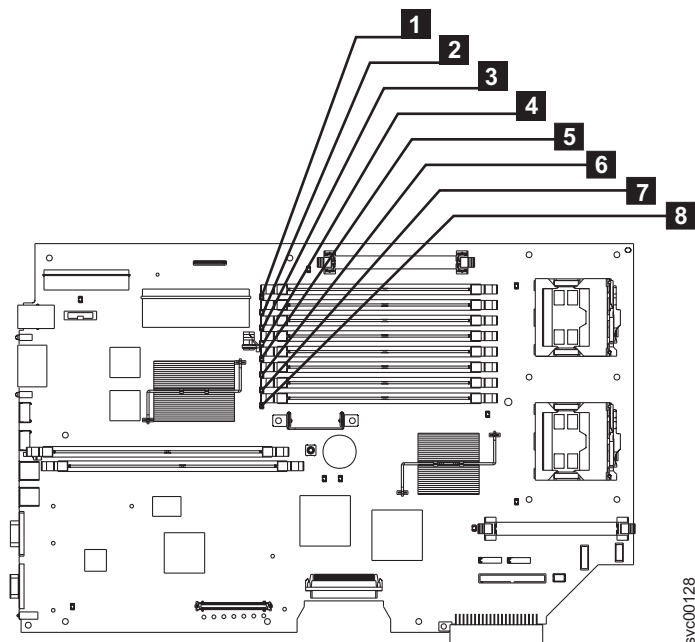


Figure 94. Locating the SAN Volume Controller 2145-8F2 or SAN Volume Controller 2145-8F4 memory modules

Removing memory modules

This topic describes how to remove the memory modules.

About this task

Perform the following steps to remove the memory modules:

Procedure

1. Follow the procedure in MAP 5350 in the *IBM System Storage SAN Volume Controller Troubleshooting Guide* to verify that the node data is mirrored and synchronized, and that there are no dependent volumes before turning off the node.
2. Remove the node from the rack and place it on a flat, static-protective surface. See “Removing the SAN Volume Controller from a rack” on page 47.
3. Remove the top cover. See “Removing the top cover” on page 80.
4. For the SAN Volume Controller 2145-CG8 or 2145-CF8, grasp the DIMM air baffle and lift the baffle up, making sure that the pin comes out of the pin hole on the system board to the left of DIMM connector 8.
5. Exchange the appropriate memory modules.

Attention: If the fault has been isolated only to the bank of modules instead of to a particular module, exchange all modules of the bank. Otherwise, if you need to remove fewer memory modules, see “Locating memory modules” on page 107. If more than one SAN Volume Controller 2145-8G4, SAN Volume Controller 2145-8F4, or SAN Volume Controller 2145-8F2 DIMM is indicated by the light path diagnostics, replace the DIMMs one-at-a-time, starting at the lowest numbered DIMM slot that is indicated by the diagnostics.

- Open the clips **2** by pressing them outward, as shown in Figure 95. This action pulls the memory module **3** out of the connector.

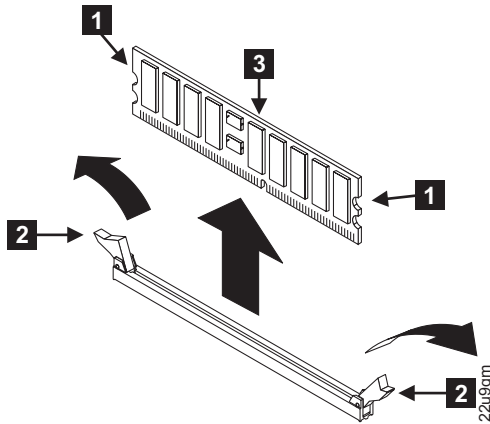


Figure 95. Removing the memory modules

- 1** Side connector latch
- 2** Memory clips
- 3** Memory module

- If you have other tasks to complete inside the SAN Volume Controller, do those tasks now.

Replacing the memory modules (DIMM)

The memory modules are electrostatic-discharge (ESD) sensitive. Take precautions to avoid damage from static electricity.

Before you begin

There are two versions of the SAN Volume Controller 2145-8G4 node: Rev 1 and Rev 2. One difference between these two versions is in the memory configuration. The original version (Rev 1) has eight 1 GB memory modules, while the second version (Rev 2) has four 2 GB memory modules. The label on the Rev 1 node does not include a version number. An additional label on the front of the Rev 2 node includes the version number. Ensure that you have the correct memory modules for the node that you are servicing.

About this task

Perform the following steps to replace the memory modules:

Attention: To avoid breaking the retaining clips or damaging the memory module connectors, open and close the clips gently.

Procedure

- With the clips **2** open, lower the memory module **3** into the connector, as shown in Figure 96 on page 113. Insert the DIMM fully to close the clips.

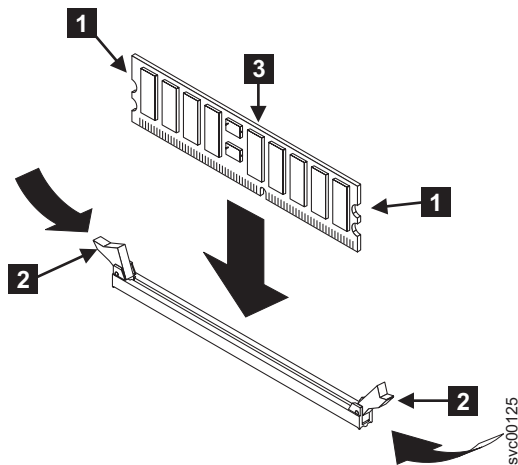


Figure 96. Replacing a memory module

2. For the SAN Volume Controller 2145-CG8 or 2145-CF8, grasp the DIMM air baffle and replace it, making sure that the pin goes into the pin hole on the system board to the left of DIMM connector 8.
3. Replace the top cover on the node.
4. Replace the node in the rack.
5. Restore all power to the node.
 - If a node error between 511 and 515 displays on the front panel, complete the following steps:
 - a. Use the power button to turn off the node.
 - b. Remove the power cable from the node.
 - c. Wait 20 seconds and then replace the power cable.
 - d. Turn on the node.
 - e. If the error displays again, the memory bank might be disabled. Complete the following steps to enable a disabled memory bank:
 - 1) Use the power button to turn off the node.
 - 2) Attach the display and keyboard to the rear panel connectors. No special cables are required.
 - 3) Turn on the node and press F1 until you the setup menu displays.
 - 4) Go to the configuration menu, select **Memory**, and enable the disabled memory bank.
 - 5) Save the settings, exit the configuration program, and then restart the node.
 - f. If the error displays again, remove and replace the memory module again to ensure that it is seated correctly. If that does not resolve the error, the memory module connector might be the problem. Replace the system board on the SAN Volume Controller models 2145-CG8, 2145-CF8, 2145-8A4, and 2145-8G4, or replace the frame assembly on the SAN Volume Controller 2145-8F4 and SAN Volume Controller 2145-8F2.
6. Make sure that all cables, adapters, and other components are installed and seated correctly and that you have not left loose tools or parts inside the node. Make sure that all internal cables are correctly routed. If you disconnected the Fibre Channel and Ethernet cables, make sure that each cable is reconnected to the same port from which it was removed.
7. For the SAN Volume Controller 2145-CG8 or 2145-CF8, grasp the DIMM air baffle and replace it, making sure that the pin goes into the pin hole on the system board to the left of DIMM connector 8.
8. Replace the top cover. See “Replacing the top cover” on page 85.

The procedure to replace the top cover also installs the node in the rack and turns on the node.

Removing the disk drive

You might have to remove the disk drive for a service action.

Removing the SATA disk drive for the SAN Volume Controller 2145-8A4 and the SAN Volume Controller 2145-8G4

This topic describes how to remove the SATA disk drive for the SAN Volume Controller 2145-8A4 and the SAN Volume Controller 2145-8G4.

Before you begin

You can remove the disk drive after you shut down the node.

About this task

To remove the SAN Volume Controller 2145-8A4 or the SAN Volume Controller 2145-8G4 disk drive, perform the following steps:

Procedure

1. Make sure that the cover is in place and fully closed.
Attention: To avoid damage to the hard disk drive connectors, make sure that the cover is in place and fully closed whenever you install or remove a hard disk drive.
2. Turn off the node while ensuring that its data is mirrored and synchronized. See MAP 5350 in the *IBM System Storage SAN Volume Controller Troubleshooting Guide* for more information.
3. Remove the cable-retention bracket and disconnect the power cable from the node. See “Removing the cable-retention bracket” on page 34.
4. Remove the service controller. See “Removing the service controller” on page 88.
5. Pull the loops of the drive tray (shown in Figure 97) toward each other and pull the tray out of the bay.



Figure 97. SAN Volume Controller 2145-8A4 SATA disk drive

Removing the SAN Volume Controller 2145-8F2 or SAN Volume Controller 2145-8F4 SATA disk drive

Before you begin

You can remove the disk drive after you shut down the node.

About this task

To remove the SAN Volume Controller 2145-8F2 or SAN Volume Controller 2145-8F4 disk drive, perform the following steps:

Procedure

1. Turn off the node while ensuring that its data is mirrored and synchronized. See MAP 5350 in the *IBM System Storage SAN Volume Controller Troubleshooting Guide* for more information.
2. Remove the SAN Volume Controller 2145-8F4 cable retention bracket.
3. To make sure that you can replace all cables in the same ports from which they were removed, record the position of all Fibre Channel and Ethernet cables; then remove all cables from the back of the node.
4. Remove the node from the rack and place it on a flat, static-protective surface. See “Removing the SAN Volume Controller from a rack” on page 47.
5. Open fan door A (**1** in Figure 98).
6. Remove the service controller. See “Removing the service controller” on page 88.
7. Pull the disk drive out of the bay.

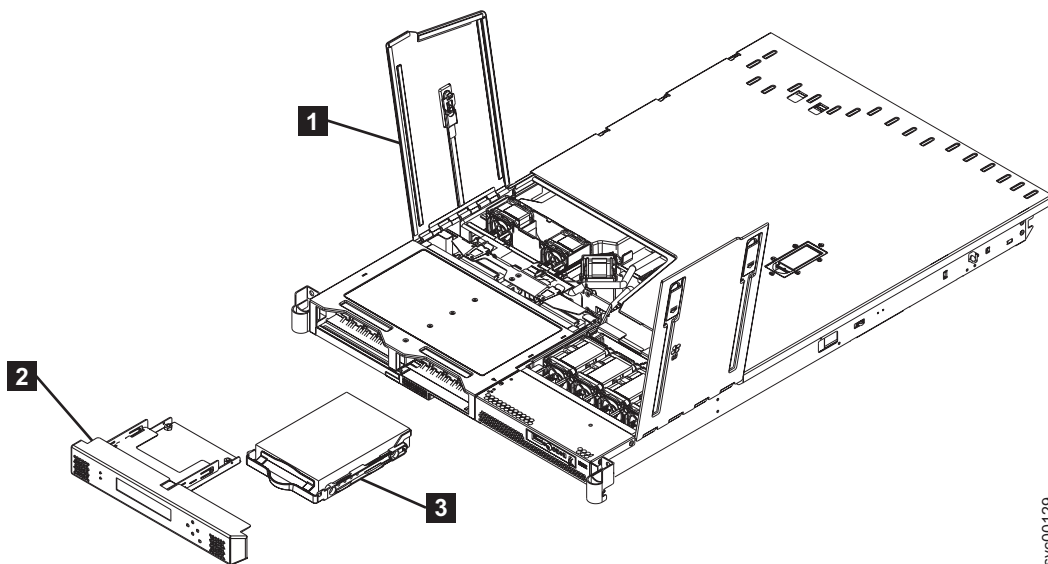


Figure 98. Removing the SATA disk drive

- 1** Fan door A
- 2** Service controller
- 3** SATA disk drive

Results

You can now replace the SAN Volume Controller 2145-8F2 or SAN Volume Controller 2145-8F4 disk drive.

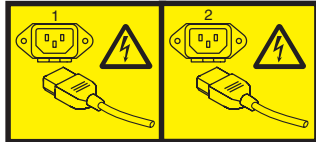
Removing the SAS boot drive from the SAN Volume Controller 2145-CG8 or 2145-CF8

You can remove the SAS boot drive from the SAN Volume Controller 2145-CG8 or 2145-CF8.

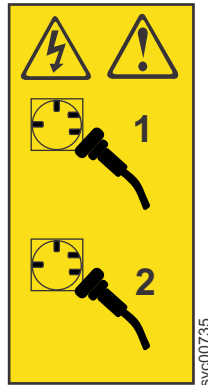
Before you begin

DANGER

Multiple power cords. The product might be equipped with multiple power cords. To remove all hazardous voltages, disconnect all power cords. (L003)



or



or



About this task

This service action requires you to turn off the node.

To remove the SAN Volume Controller 2145-CF8 or 2145-CG8 disk drive, perform the following steps:

Procedure

1. Read the safety information to which “Preparing to remove and replace parts” on page 26 refers.
2. Follow the procedure in MAP 5350 in the *IBM System Storage SAN Volume Controller Troubleshooting Guide* to verify that the node data is mirrored and synchronized, and that there are no dependent volumes before turning off the node.
3. Slide the node out on its slide rails to the fully extended position.

Fast path: You can perform this service procedure with the node in place. Slide the node out six inches to verify that the cover is in place, then return the node to its locked position.

You can perform most service actions when the node is fully extended from the rack on its slide rails. You can leave the Fibre Channel and Ethernet cables connected, if you are using the cable-management arm and if you are not removing the node from the rack. If the location of the node in the rack is too high or too low to work comfortably, you can remove the node from the rack.

4. Optional: If you must remove the node from the rack to work on it, perform the following procedure to remove all cables and remove the node from the rack:
 - a. Pull back the cable-management arm if you are working from the rear of the rack, or slide the node out of the rack to the fully extended rail position if you are working from the front.
 - b. When the node is completely turned off, remove the cable-retention brackets and disconnect the power cables, as described in “Removing the cable-retention bracket” on page 34.
 - c. To make sure that you can replace all cables in the same ports from which they were removed, label the port position of each Fibre Channel and Ethernet cable; then remove all cables from the back of the node.

- d. Remove the node from the rack and place it on a flat, static-protective surface. See “Removing the SAN Volume Controller from a rack” on page 47.
5. Make sure that the cover is in place and fully closed.

Attention: To avoid damage to the disk drive connectors, make sure that the cover is in place and fully closed whenever you install or remove the hard-disk drive.
6. Remove the service controller. See “Removing the service controller” on page 88.

You do not have to disconnect the service controller cable. You can suspend the service controller by its cable or rest the service controller on another surface while removing and replacing the drive.
7. Slide the orange release latch (**1** in Figure 99) gently to the left to unlock the drive handle of the boot drive. For details on the boot drive location, see “IDs for SAN Volume Controller 2145-CG8 or 2145-CF8 disk drives” on page 118.

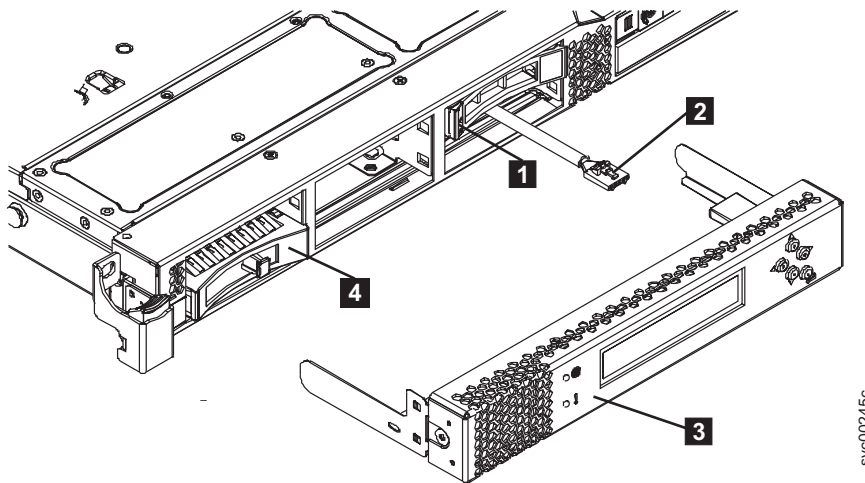


Figure 99. Boot drive location (SAN Volume Controller 2145-CF8 shown)

- 1** Boot-drive release latch (in drive bay 4 for the 2145-CF8 and in drive bay 6 for the 2145-CG8)
 - 2** Service-controller USB cable (in drive bay 5 for the 2145-CF8 and in drive bay 7 for the 2145-CG8)
 - 3** Service controller
 - 4** Drive bay filler panel (shown in drive bay 1 in the 2145-CF8 diagram, but also in all other unused drive bays on both the 2145-CF8 and the 2145-CG8)
8. Grasp the open drive handle and slide the drive out of the drive bay.

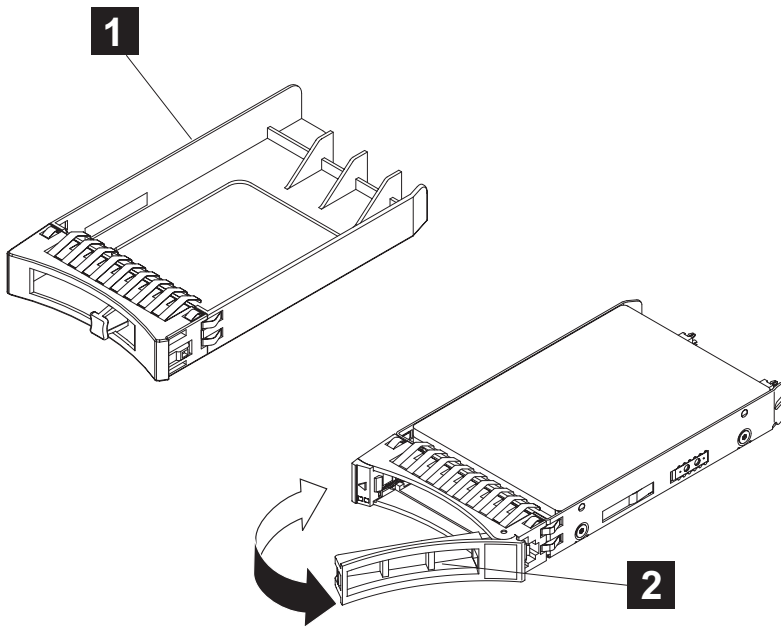


Figure 100. Drive-bay filler panel and disk-drive handle

- 1** Drive bay blank EMC filler assembly (used in all empty drive bays)
- 2** Handle of SAS disk drive

9. If you are instructed to return the drive assembly, follow all packaging instructions, and use any packaging materials for shipping that are supplied to you.

IDs for SAN Volume Controller 2145-CG8 or 2145-CF8 disk drives

The hot-swap-drive ID that is assigned to each drive is printed on the front of the node, but is covered by the service controller.

About this task

Figure 101 shows the location of the disk drives for the SAN Volume Controller 2145-CF8 by drive ID.

The ID numbers and the drive-bay numbers are the same.

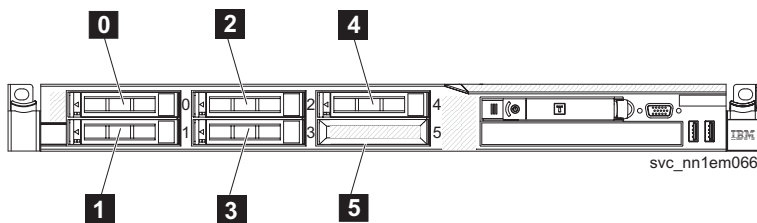


Figure 101. Drive IDs for SAN Volume Controller 2145-CF8

- 0** Drive bay 0
- 1** Drive bay 1
- 2** Drive bay 2
- 3** Drive bay 3
- 4** Drive bay 4 (reserved for the node boot disk)
- 5** Drive bay 5 (reserved for service controller)

Figure 102 shows the location of the disk drives for the SAN Volume Controller 2145-CG8 by drive ID.

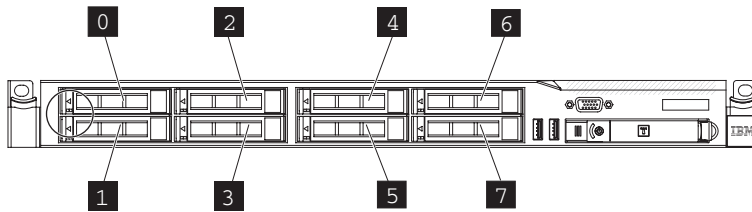


Figure 102. Drive bay IDs for the SAN Volume Controller 2145-CG8

- 0** Drive bay 0
- 1** Drive bay 1
- 2** Drive bay 2
- 3** Drive bay 3
- 4** Drive bay 4
- 5** Drive bay 5
- 6** Drive bay 6 (reserved for the node boot disk)
- 7** Drive bay 7 (reserved for service controller cable)

Removing the SATA disk drive for the SAN Volume Controller 2145-8A4 and the SAN Volume Controller 2145-8G4

This topic describes how to remove the SATA disk drive for the SAN Volume Controller 2145-8A4 and the SAN Volume Controller 2145-8G4.

Before you begin

You can remove the disk drive after you shut down the node.

About this task

To remove the SAN Volume Controller 2145-8A4 or the SAN Volume Controller 2145-8G4 disk drive, perform the following steps:

Procedure

1. Make sure that the cover is in place and fully closed.
Attention: To avoid damage to the hard disk drive connectors, make sure that the cover is in place and fully closed whenever you install or remove a hard disk drive.
2. Turn off the node while ensuring that its data is mirrored and synchronized. See MAP 5350 in the *IBM System Storage SAN Volume Controller Troubleshooting Guide* for more information.
3. Remove the cable-retention bracket and disconnect the power cable from the node. See “Removing the cable-retention bracket” on page 34.
4. Remove the service controller. See “Removing the service controller” on page 88.
5. Pull the loops of the drive tray (shown in Figure 103 on page 120) toward each other and pull the tray out of the bay.



Figure 103. SAN Volume Controller 2145-8A4 SATA disk drive

Removing the SAN Volume Controller 2145-8F4 or SAN Volume Controller 2145-8F2 SATA disk drive

Before you begin

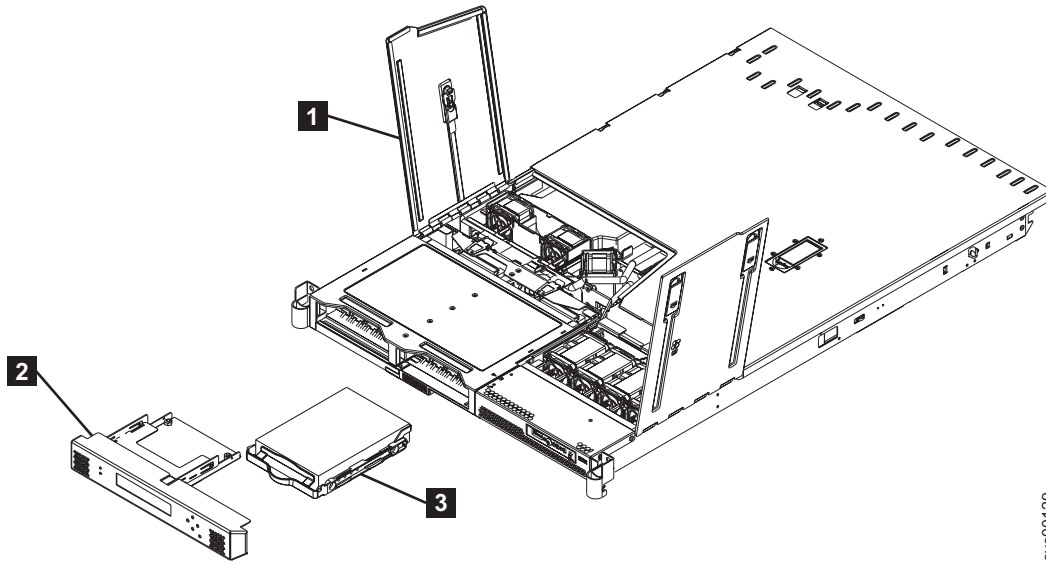
You can remove the disk drive after you shut down the node.

About this task

To remove the SAN Volume Controller 2145-8F4 or SAN Volume Controller 2145-8F2 disk drive, perform the following steps:

Procedure

1. Turn off the node while ensuring that its data is mirrored and synchronized. See MAP 5350 in the *IBM System Storage SAN Volume Controller Troubleshooting Guide* for more information.
2. Remove the SAN Volume Controller 2145-8F4 cable retention bracket.
3. To make sure that you can replace all cables in the same ports from which they were removed, record the position of all Fibre Channel and Ethernet cables; then remove all cables from the back of the node.
4. In the management GUI, select **Monitoring** > **System** and select the node to remove. Click **Manage** > **Remove Node**.
5. Open fan door A (**1** in Figure 104 on page 121).
6. Remove the service controller. See "Removing the service controller" on page 88.
7. Pull the disk drive out of the bay.



svc00129

Figure 104. Removing the SATA disk drive

- 1 Fan door A
- 2 Service controller
- 3 SATA disk drive

Results

You can now replace the SAN Volume Controller 2145-8F4 or SAN Volume Controller 2145-8F2 disk drive.

Replacing the disk drive

You might have to replace the disk drive for a service action.

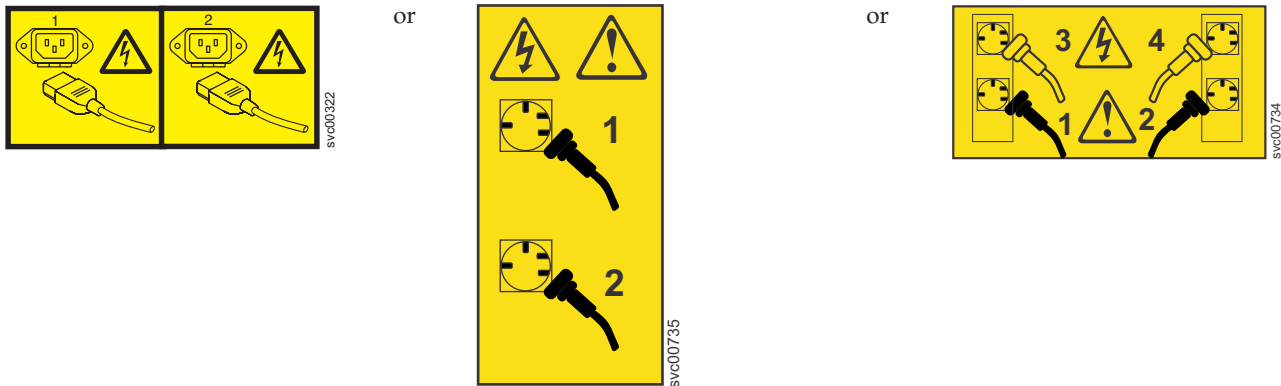
Replacing the SAN Volume Controller 2145-CG8 or 2145-CF8 SAS boot drive

You can replace the serial attached SCSI (SAS) boot drive for the SAN Volume Controller 2145-CF8 or 2145-CG8 node.

Before you begin

DANGER

Multiple power cords. The product might be equipped with multiple power cords. To remove all hazardous voltages, disconnect all power cords. (L003)



About this task

The following notes describe information that you must consider when you install a hard-disk drive.

- Locate the documentation that comes with the disk drive and follow those instructions in addition to the instructions in this topic.
- Make sure that you have all the cables and other equipment that are specified in the documentation that comes with the drive.
- Install the boot drive in drive bay 4 for SAN Volume Controller 2145-CF8 nodes and in drive bay 6 for SAN Volume Controller 2145-CG8 nodes.
- Check the instructions that come with the drive to determine whether you have to set any switches or jumpers on the drive. Set the SAS ID for the device, if necessary.

To replace a SAN Volume Controller 2145-CF8 or 2145-CG8 disk drive, perform the following steps:

Procedure

1. Read the safety information to which “Preparing to remove and replace parts” on page 26 refers.
2. Make sure that the node cover is in place and fully closed.

Attention: To avoid damage to the disk-drive connectors, make sure that the node cover is in place and fully closed whenever you remove or replace a disk drive.

3. Touch the static-protective package that contains the drive to any unpainted metal surface on the node; then, remove the drive from the package and place it on a static-protective surface.
4. Make sure that the disk-drive handle is in the open (unlocked) position.

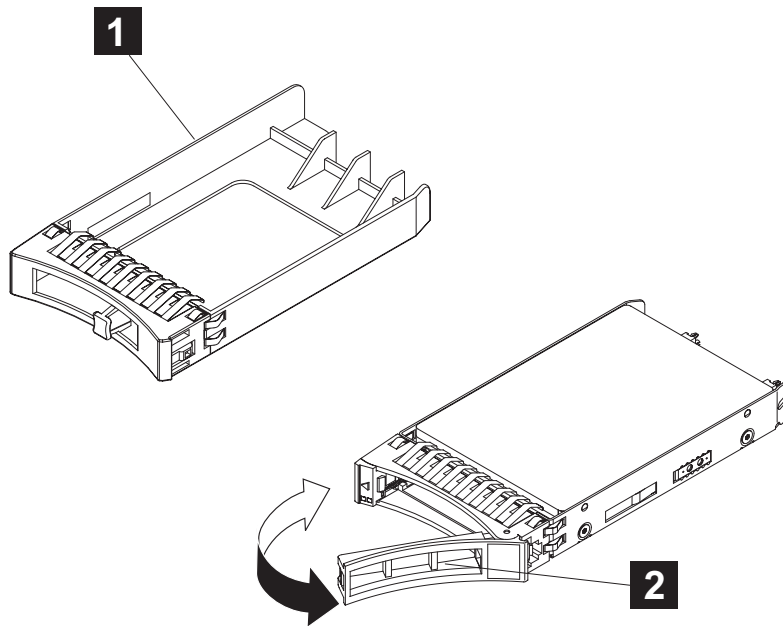


Figure 105. Drive-bay filler panel and disk-drive handle

- 1** Drive bay filler panel (used in all empty drive bays)
 - 2** SAS disk drive with handle extended
5. Align the drive assembly with the guide rails in drive bay 4 (for SAN Volume Controller 2145-CF8) or bay 6 (for SAN Volume Controller 2145-CG8). See “IDs for SAN Volume Controller 2145-CG8 or 2145-CF8 disk drives” on page 118 for details.
 6. Gently push the drive assembly into the bay until the drive stops.

Attention: On the 2145-CG8, inserting the disk drive too forcefully can damage the service controller cable. When inserting the disk drive, push the cable to the right hand side of the lower drive bay. Do not apply any force when inserting the disk drive. If the disk drive does not push fully home, reposition the cable closer to the right and try again.
 7. Rotate the tray handle to the closed (locked) position.
 8. Install the service controller. See “Replacing the service controller” on page 99.
 9. If you removed the node from the rack, replace the node in the rack, as described in “Replacing the SAN Volume Controller in a rack” on page 58.
 10. Make sure that all cables, adapters, and other components are installed and seated correctly and that you have not left loose tools or parts inside the node. Make sure that all internal cables are correctly routed. If you disconnected the Fibre Channel and Ethernet cables, make sure that each cable is reconnected to the same port from which it was removed.
 11. If you removed the power cords, replace the power cords and the cable-retention brackets, as described in “Replacing the cable-retention bracket” on page 40.
 12. Lift the locking levers (**1** in Figure 106 on page 124) on the slide rails and push the server **2** all the way into the rack until it clicks into place.

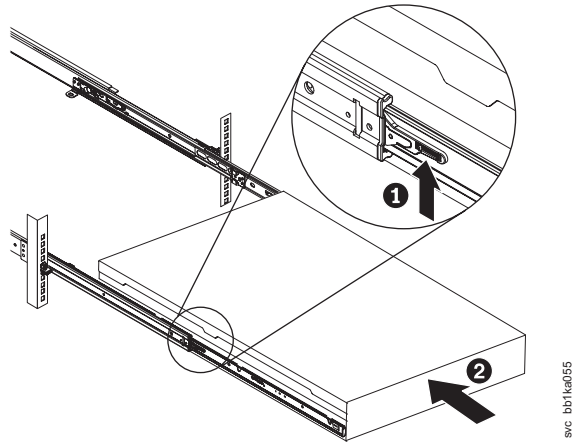


Figure 106. Raising the SAN Volume Controller 2145-CF8 or 2145-CG8 locking levers of the slide rails of the rack

13. Turn on the node. When you turn on the node, use the node rescue procedure to install the SAN Volume Controller software on the new disk. Then add the node back into the cluster. See "Performing the node rescue" in the *IBM System Storage SAN Volume Controller Troubleshooting Guide*.

Note: If you must replace the hard disk and the service controller at the same time, you might not be able to start the node to perform node rescue. See "Replacing a disk drive and a service controller on the SAN Volume Controller" on page 105.

Replacing the SAN Volume Controller 2145-8A4 and the SAN Volume Controller 2145-8G4 SATA disk drive

This topic describes how to replace the SATA (serial advanced technology attachment) disk drive for the SAN Volume Controller 2145-8A4 and the SAN Volume Controller 2145-8G4 nodes.

Before you begin

You can replace the SATA (serial advanced technology attachment) disk drive after you remove the existing disk drive.

About this task

To replace the SAN Volume Controller 2145-8A4 and the SAN Volume Controller 2145-8G4 disk drive, perform the following steps:

Procedure

1. Make sure that the node cover is in place and fully closed.

Attention: To avoid damage to the hard disk drive connectors, make sure that the node cover is in place and fully closed whenever you remove or replace a hard disk drive.
2. Find the rails assembly and screws that are shipped with the new disk drive. Attach the rails assembly to the disk drive with four screws, as shown in Figure 107 on page 125, using two on each side of the disk.



Figure 107. Attaching the rails assembly to the SATA disk drive for the SAN Volume Controller 2145-8A4 and the SAN Volume Controller 2145-8G4

3. Pull the loops of the rails toward each other and slide the drive into the node until the drive connects to the backplane.
4. Release the loops of the drive tray.
5. Install the service controller. See “Replacing the service controller” on page 99.
6. Reconnect the power cords and the Fibre Channel and Ethernet cables. Ensure that you replace the Fibre Channel and Ethernet cables in the same ports from which they were removed.
7. Turn on the node. When you turn on the node, use the node rescue procedure to install the SAN Volume Controller software on the new disk. Then add the node back into the cluster. See “Performing the node rescue” in the *IBM System Storage SAN Volume Controller Troubleshooting Guide*.

Note: If you must replace the hard disk and the service controller at the same time, you cannot start the node to perform node rescue. See “Replacing a disk drive and a service controller on the SAN Volume Controller” on page 105.

Replacing the SAN Volume Controller 2145-8F4 or SAN Volume Controller 2145-8F2 SATA disk drive

This topic describes how to replace the SATA (serial advanced technology attachment) disk drive for the SAN Volume Controller 2145-8F2 and the SAN Volume Controller 2145-8F4 nodes.

Before you begin

The SAN Volume Controller 2145-8F4 or SAN Volume Controller 2145-8F2 SATA disk drive can be replaced after you remove the existing disk drive.

About this task

To replace the SAN Volume Controller 2145-8F4 or SAN Volume Controller 2145-8F2 disk drive, perform the following steps:

Procedure

1. Slide the disk drive into the bay until the rear of the drive snaps into place with the rear panel-mount connector.
2. Install the service controller. See “Replacing the service controller” on page 99.
3. Place the node in the rack. See “Replacing the SAN Volume Controller in a rack” on page 58.
4. Reconnect the power cords and the Fibre Channel and Ethernet cables. Ensure that you replace the Fibre Channel and Ethernet cables in the same ports from which they were removed.
5. Turn on the node. When you turn on the node, use the node rescue procedure to install the SAN Volume Controller software on the new disk. Then add the node back into the cluster. See “Performing the node rescue” in the *IBM System Storage SAN Volume Controller Troubleshooting Guide*.

Note: If you must replace the hard disk and the service controller at the same time, you cannot start the node to perform node rescue. See “Replacing a disk drive and a service controller on the SAN Volume Controller” on page 105.

Removing a solid-state drive (SSD)

You can remove solid-state drives (SSDs) in the 2145-CG8 or 2145-CF8.

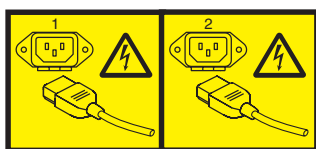
Removing a SAN Volume Controller 2145-CG8 or 2145-CF8 solid-state drive (SSD)

You can remove an installed solid-state drive (SSD) from a SAN Volume Controller 2145-CF8 node.

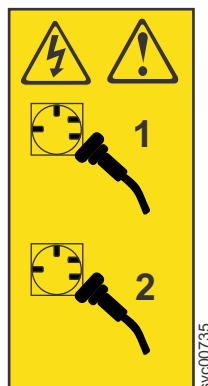
Before you begin

DANGER

Multiple power cords. The product might be equipped with multiple power cords. To remove all hazardous voltages, disconnect all power cords. (L003)



or



or



If you are installing a high-speed SAS adapter feature and one or more solid-state drive (SSD) features, use the instructions that come with each MES upgrade to install and configure the high-speed SAS adapter and each solid-state drive (SSD).

About this task

This topic describes how to remove a solid-state drive (SSD) that was installed and configured, but that must now be removed from a SAN Volume Controller 2145-CF8 node.

The SAN Volume Controller 2145-CF8 node supports from one to four optional 2.5-inch SSDs in addition to the one required boot drive that ships with the node.

You do not have to turn off the node to perform this service action. You can leave the node turned on, the power cords connected, and the data cables connected to perform this service action from the fully extended rail position.

Although you do not have to turn off the node, SSDs require some planning before you can simply swap one drive for another.

See MAP 5350 in the *IBM System Storage SAN Volume Controller Troubleshooting Guide* for information about ensuring that data is mirrored and synchronized, and that there are no dependent volumes (VDisks) on the node before removing an SSD, whether you are turning off the node or swapping the drive while the node is turned on.

To remove the SAN Volume Controller 2145-CF8 solid-state drive (SSD), perform the following steps:

Procedure

1. Read the safety information to which “Preparing to remove and replace parts” on page 26 refers.
2. Slide the node out on its slide rails to the fully extended position.

Fast path: You can perform this service procedure with the node in place. Slide the node out six inches to verify that the cover is in place, then return the node to its locked position.

You can perform most service actions when the node is fully extended from the rack on its slide rails. If the location of the node in the rack is too high or too low to work comfortably, you can remove the node from the rack.

3. Optional: If you must remove the node from the rack to work on it, perform the following procedure to turn off the node, remove all cables, and remove the node from the rack:
 - a. Follow the procedure in MAP 5350 in the *IBM System Storage SAN Volume Controller Troubleshooting Guide* to verify that the node data is mirrored and synchronized, and that there are no dependent volumes before turning off the node.
 - b. Pull back the cable-management arm if you are working from the rear of the rack, or slide the node out of the rack to the fully extended rail position if you are working from the front.
 - c. When the node is completely turned off, remove the cable-retention brackets and disconnect the power cables, as described in “Removing the cable-retention bracket” on page 34.
 - d. To make sure that you can replace all cables in the same ports from which they were removed, label the port position of each Fibre Channel and Ethernet cable; then remove all cables from the back of the node.
 - e. Remove the node from the rack and place it on a flat, static-protective surface. See “Removing the SAN Volume Controller from a rack” on page 47.
4. Make sure that the node top cover is in place and fully closed.

Attention: To avoid damage to the disk drive connectors, make sure that the node cover is in place and fully closed whenever you remove or replace a disk drive.

5. If the service controller (**1** in Figure 108 on page 128) is in place, press the release buttons (**2**) on each side of the service controller assembly to release the service controller from the node, but do not disconnect the USB service controller cable. Slide the service controller from the node and support it somewhere, if possible, or gently suspend the service controller from the service controller cable.

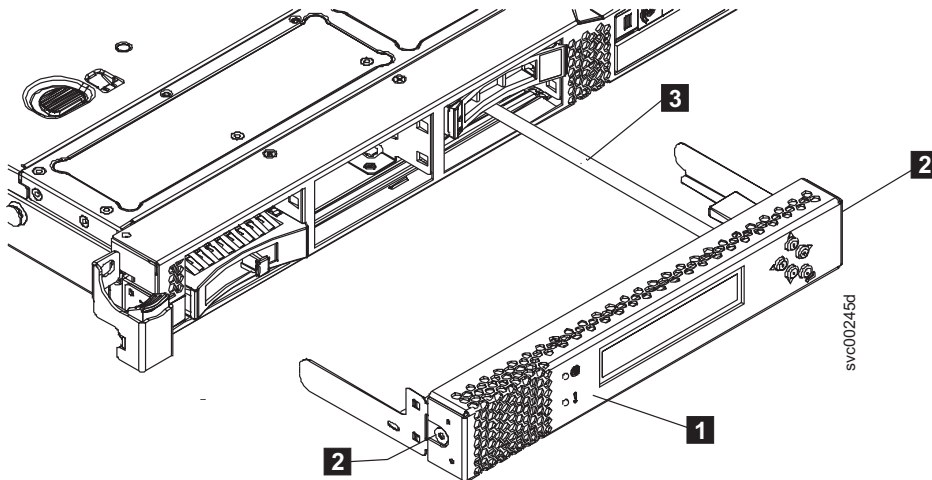


Figure 108. Service controller with attached USB cable (SAN Volume Controller 2145-CF8 shown)

- 1** Service controller
- 2** Service-controller release buttons
- 3** Service controller USB cable

6. Remove the drive from the drive bay:
 - a. Slide the orange release latch at the left end of the handle gently to the left to unlock the drive handle.
 - b. Rotate the drive handle to the open (unlocked) position, as shown in Figure 109.
 - c. Gently slide out the drive assembly along the guide rails until the drive is free of the drive bay.

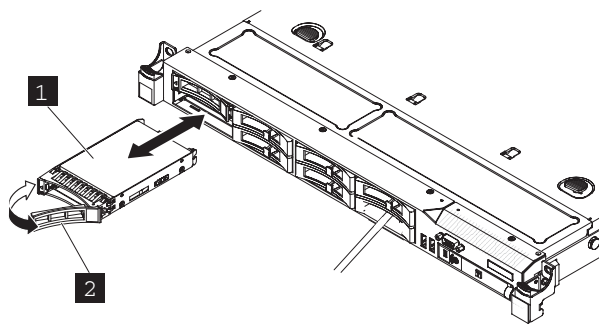


Figure 109. Solid-state drive (SSD) (SAN Volume Controller 2145-CG8 shown)

- 1** Solid-state drive (SSD)
- 2** Drive handle

The system error LED and the DASD diagnostics panel LED turn on when a solid-state drive (SSD) is removed from a drive bay. The system error LED and the DASD diagnostics panel LED turn off when the SSD is replaced in the drive bay. If you do not replace the SSD in the same drive bay, the system error LED and the DASD diagnostics panel LED remain lit. To clear the system error LED and the DASD diagnostics panel LED, turn off the node using the instructions given in MAP 5350 in the *IBM System Storage SAN Volume Controller Troubleshooting Guide* and remove both power cables.

7. If you are not replacing the drive right away, install a drive-bay blank electromagnetic compatibility (EMC) filler assembly into the empty drive bay.

To make sure that there is adequate system cooling, do not operate the server for more than 2 minutes without either a hard disk drive or a filler panel installed in each bay.

The electromagnetic interference (EMI) integrity and cooling of the node are protected by having all bays and PCI slots covered or occupied. When you install a drive, save the drive bay blank EMC filler assembly from the drive bay to cover any later removal of the device.

8. If you are removing additional hot-swap solid-state drives (SSDs), do so now.
9. If you are replacing drives, replace them now, as described in “Replacing a SAN Volume Controller 2145-CG8 or 2145-CF8 solid-state drive (SSD).”
10. If you are instructed to return the drive assembly, follow all packaging instructions, and use any packaging materials for shipping that are supplied to you.

Replacing a solid-state drive (SSD)

You can replace solid-state drives (SSDs) in the 2145-CG8 or 2145-CF8.

Replacing a SAN Volume Controller 2145-CG8 or 2145-CF8 solid-state drive (SSD)

You can remove an installed solid-state drive (SSD) from a SAN Volume Controller 2145-CG8 or 2145-CF8 node.

Before you begin

If you are installing a high-speed SAS adapter (feature code 4500) and one to four solid-state drives (SSDs) (feature code 4601), use the instructions that come with each MES upgrade to install and configure the high-speed SAS adapter and each solid-state drive (SSD).

About this task

This procedure describes how to replace a solid-state drive (SSD) that was installed and configured, but then removed.

Each of the SAN Volume Controller 2145-CG8 or 2145-CF8 nodes support from one to four 2.5-inch SSDs in addition to the required boot drive.

To replace the solid-state drive (SSD) from the SAN Volume Controller 2145-CG8 or 2145-CF8, perform the following steps:

Procedure

1. Read the safety information to which “Preparing to remove and replace parts” on page 26 refers.
2. If the service controller is in place, press the release button on the side of the service controller assembly to release it from the node, but do not disconnect the USB service controller cable. Slide the service controller from the node and support it somewhere, if possible, or gently suspend the service controller from the service controller cable.
3. If the drive bay contains a drive-bay blank electromagnetic compatibility (EMC) filler assembly, remove the filler from the drive bay.

The electromagnetic interference (EMI) integrity and cooling of the node are protected by having all bays and PCI slots covered or occupied. When you install a drive, save the drive bay blank EMC filler assembly from the drive bay to cover any later removal of the device.

4. Touch the static-protective package that contains a new drive to any unpainted metal surface on the node; then, remove the drive from the package and place it on a static-protective surface.
5. Install the drive in the drive bay:

Attention: To avoid damage to the disk-drive connectors, ensure that the node cover is in place and fully closed whenever you remove or replace a disk drive.

- a. Make sure that the tray handle is in the open (unlocked) position.
- b. Align the drive assembly with the guide rails in the bay, as shown in Figure 110 on page 130.

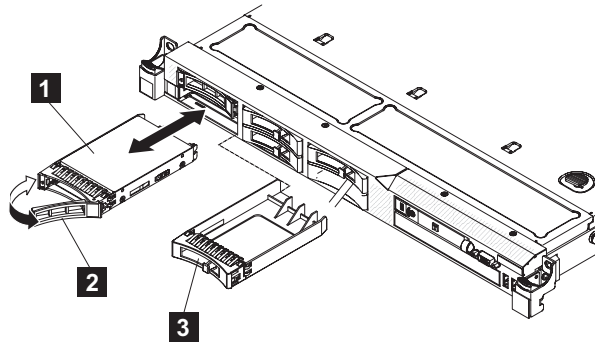


Figure 110. SAN Volume Controller 2145-CG8 or 2145-CF8 drive and drive-bay filler

- 1 Solid-state drive (SSD)
- 2 Drive handle
- 3 Drive-bay blank electromagnetic compatibility (EMC) filler assembly

- c. Gently push the drive assembly into the bay until the drive stops.
- d. Rotate the tray handle to the closed (locked) position.

The system error LED and the DASD diagnostics panel LED turn on when a solid-state drive (SSD) is removed from a drive bay. The system error LED and the DASD diagnostics panel LED turn off when the SSD is replaced in the drive bay. If you do not replace the SSD in the same drive bay, the system error LED and the DASD diagnostics panel LED remain lit. To clear the system error LED and the DASD diagnostics panel LED, turn off the node using the instructions given in MAP 5350 in the *IBM System Storage SAN Volume Controller Troubleshooting Guide* and remove both power cables.

- 6. If you are installing additional hot-swap solid-state drives (SSDs), do so now.
- 7. Install the service controller. See “Replacing the service controller” on page 99.
- 8. If you removed the node from the rack, replace the node in the rack, as described in “Replacing the SAN Volume Controller in a rack” on page 58.
- 9. Make sure that all cables, adapters, and other components are installed and seated correctly and that you have not left loose tools or parts inside the node. Make sure that all internal cables are correctly routed. If you disconnected the Fibre Channel and Ethernet cables, make sure that each cable is reconnected to the same port from which it was removed.
- 10. If you removed the power cords, replace the power cords and the cable-retention brackets, as described in “Replacing the cable-retention bracket” on page 40.
- 11. If you turned off the node during the service procedure, turn on the node.

Removing the disk-drive backplane

You might have to remove the disk-drive backplane, which includes the simple-swap SAS backplane in the SAN Volume Controller 2145-CG8 or 2145-CF8 or the SATA backplane for a SAN Volume Controller 2145-8A4 or SAN Volume Controller 2145-8G4.

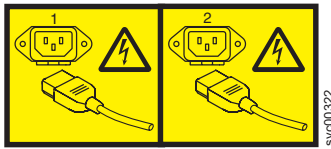
Removing the SAN Volume Controller 2145-CG8 or 2145-CF8 disk-drive backplane

Use the following information to remove the SAN Volume Controller 2145-CG8 or 2145-CF8 disk-drive backplane.

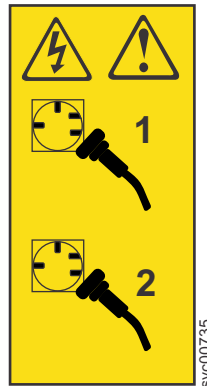
Before you begin

DANGER

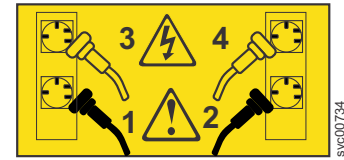
Multiple power cords. The product might be equipped with multiple power cords. To remove all hazardous voltages, disconnect all power cords. (L003)



or



or



About this task

This service action requires you to remove the cover and:

- Turn the node off.
- Disconnect the power cables.
- Disconnect the internal SAS data cables.

To remove the SAN Volume Controller 2145-CG8 or 2145-CF8 disk-drive backplane, complete the following steps:

Procedure

1. Read the safety information to which “Preparing to remove and replace parts” on page 26 refers.
2. Follow the procedure in MAP 5350 in the *IBM System Storage SAN Volume Controller Troubleshooting Guide* to verify that the node data is mirrored and synchronized, and that there are no dependent volumes before turning off the node.
3. Slide the node out on its slide rails to the fully extended position.
4. When the node is completely turned off, remove the cable-retention brackets and disconnect the power cables, as described in “Removing the cable-retention bracket” on page 34.
5. Optional: To make sure that you can replace all cables in the same ports from which they were removed, label the port position of each Fibre Channel and Ethernet cable; then remove all cables from the back of the node.

You can leave the Fibre Channel and Ethernet cables connected, if you are using the cable-management arm and if you are not removing the node from the rack.

6. Optional: Remove the node from the rack and place it on a flat, static-protective surface. See “Removing the SAN Volume Controller from a rack” on page 47.

You can perform most service actions when the node is fully extended from the rack on its slide rails. If the location of the node in the rack is too high or too low to work comfortably, you can remove the node from the rack.

7. Remove the service controller. See “Removing the service controller” on page 88.
8. Pull the disk drives and filler panels out of the node slightly to disengage them from the backplane. See “Removing the disk drive” on page 113.

9. Remove the top cover. See “Removing the top cover” on page 80.
10. Remove fans 4, 5, and 6, as described in “Removing the SAN Volume Controller 2145-CG8 or 2145-CF8 fans” on page 251.
11. Disconnect all cables from the disk-drive backplane.

Note: You can also choose to disconnect the cables after removing the backplane from the brackets, if that is easier for you.

The high-speed SAS cable and the boot-disk SAS cable are shown in Figure 111.

The boot-disk cable is shown after disconnecting the cable from the disk controller so that you can see the connectors more clearly.

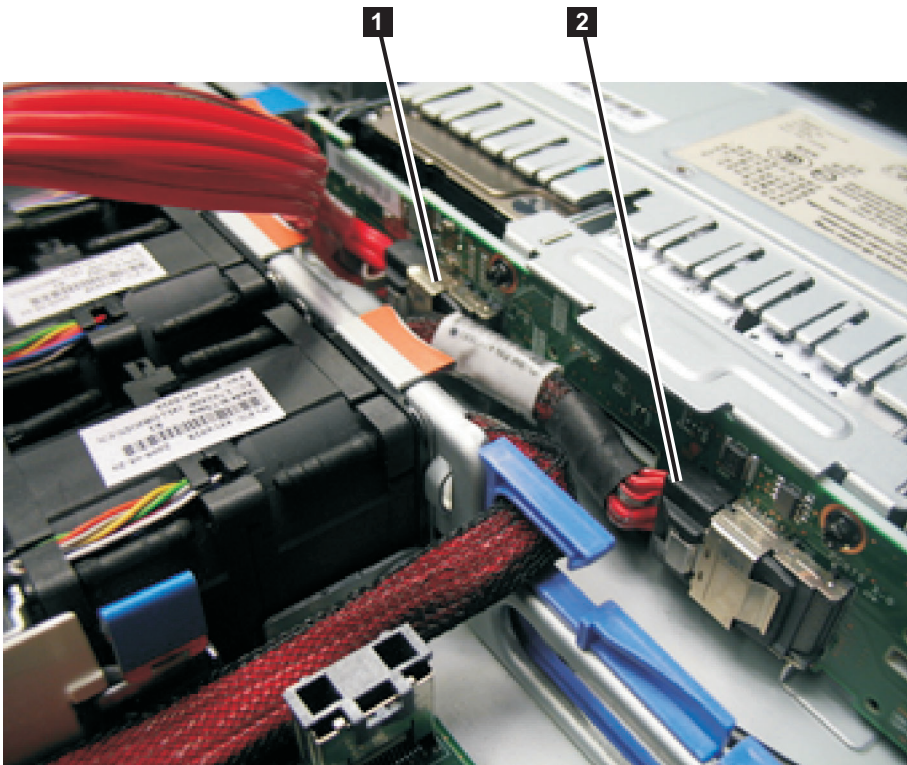


Figure 111. Boot-disk SAS cable and the high-speed SAS cable connected to the disk backplane in the SAN Volume Controller 2145-CG8 or 2145-CF8

The SAN Volume Controller 2145-CG8 has two backplanes. Each backplane supports four of the eight drive bays. One backplane supports the boot disk in drive bay 6 and drive bays 4, 5, and 7, which are either reserved or empty. The other backplane supports the optional solid-state drives (SSDs) in drive bays 0, 1, 2, and 3.

1 Boot-disk signal cable that is plugged into the disk-drive backplane to support drive bay 6 on the SAN Volume Controller 2145-CG8 or drive bay 4 on the SAN Volume Controller 2145-CF8

2 High-speed SAS-adapter cable that is plugged into the middle of the disk drive backplane to support drive bays 0, 1, 2, and 3

(Not pictured) Backplane-control cable that is in the lower right connector on the back of the backplane

12. Lift up the disk-drive backplane (**1** in each of the following two illustrations to disengage the backplane edges (2145-CG8) or tabs (2145-CF8) (**2**) from the slots (**3**) on a backplane bracket. In the 2145-CG8 node, pull up slowly on each backplane until it is clear of the slots on the bracket and remove it from the node, as shown in Figure 112 on page 133.

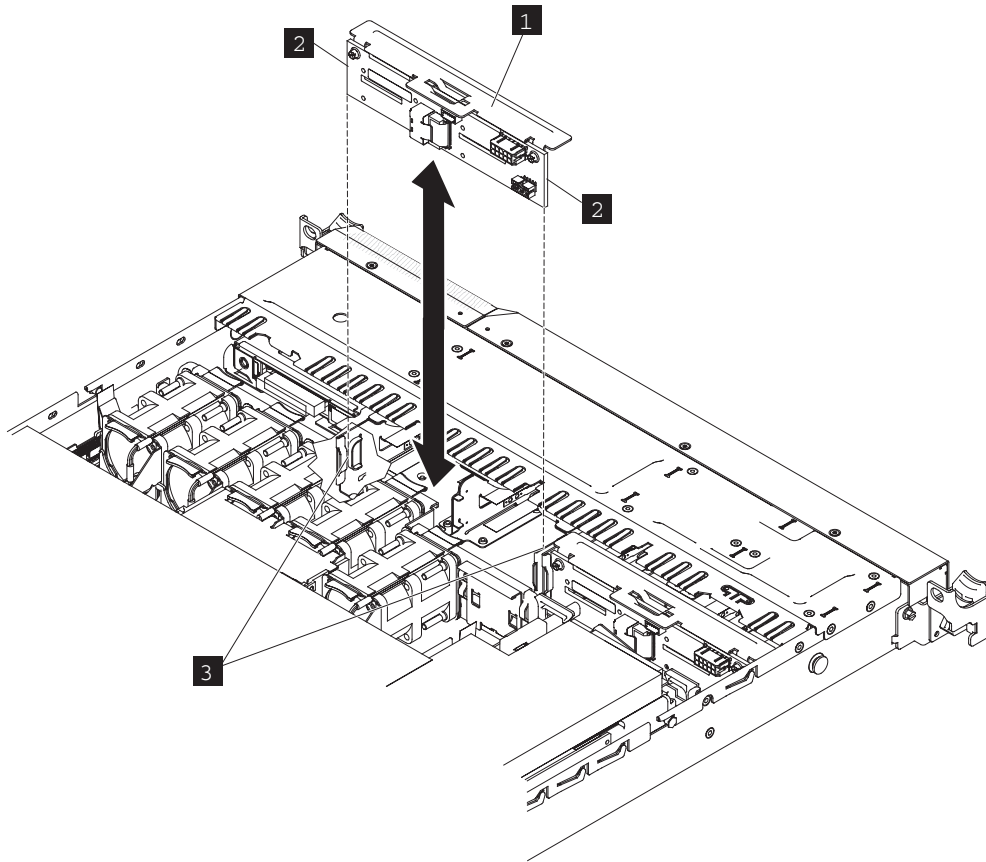


Figure 112. The 2145-CG8 boot-disk backplane

In the 2145-CF8 node, push the backplane backwards until it is clear of the slots on the bracket and remove it from the node, as shown in Figure 113 on page 134.

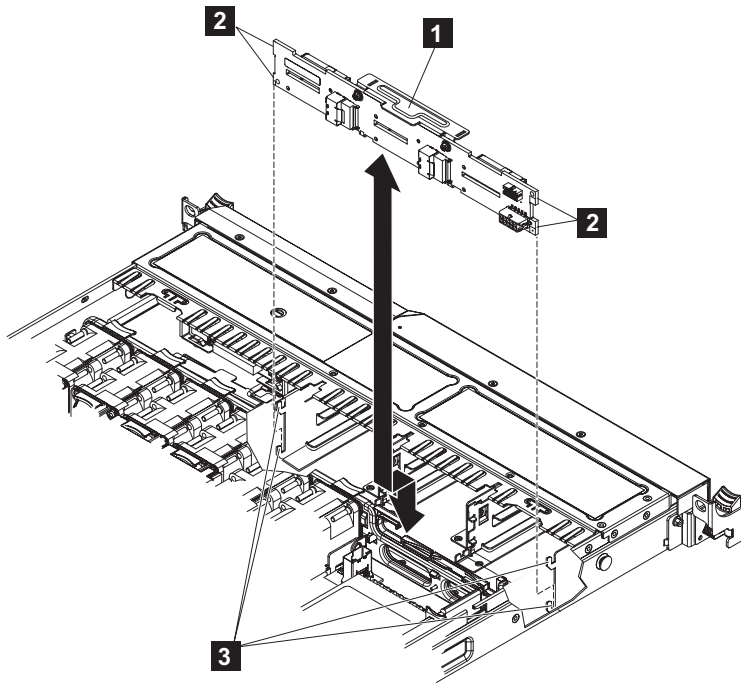


Figure 113. The SAN Volume Controller 2145-CF8 disk backplane

- 1** Disk-drive backplane
- 2** Backplane edges on the 2145-CG8 and tabs on the 2145-CF8
- 3** Backplane-bracket slots

13. If you are instructed to return a disk-drive backplane, follow all packaging instructions, and use any packaging materials for shipping that are supplied to you.

Removing the SAN Volume Controller 2145-8A4 disk-drive backplane

Use the following information to remove the SAN Volume Controller 2145-8A4 disk-drive backplane.

About this task

To remove the SAN Volume Controller 2145-8A4 disk-drive backplane, including the SATA backplane, complete the following steps.

Procedure

1. Read the safety precautions in "Safety and environmental notices" on page xiii.
2. Turn off the node while ensuring that its data is mirrored and synchronized. See MAP 5350 in the *IBM System Storage SAN Volume Controller Troubleshooting Guide* for more information.
3. Remove the cable-retention bracket and disconnect the power cable from the node. See "Removing the cable-retention bracket" on page 34.
4. Remove the node from the rack and place it on a flat, static-protective surface. See "Removing the SAN Volume Controller from a rack" on page 47.
5. Remove the service controller. See "Removing the service controller" on page 88.
6. Pull the hard disk drive out of the node slightly to disengage it from the backplane.
7. Remove the top cover. See "Removing the top cover" on page 80.
8. Notice where the two SATA cables that are connected to the backplane are connected to the system board, as shown in Figure 114 on page 135. Then disconnect the two SATA cables from the system

board.

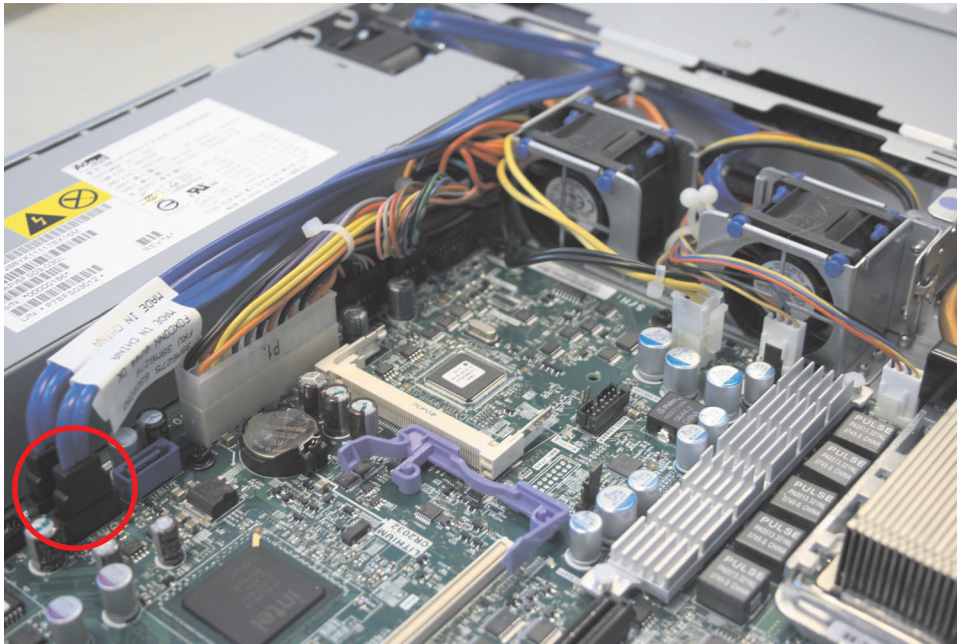


Figure 114. SAN Volume Controller 2145-8A4 SATA cable connectors

9. Rotate (lift) the air deflector **1** out of the way, as shown in Figure 115.

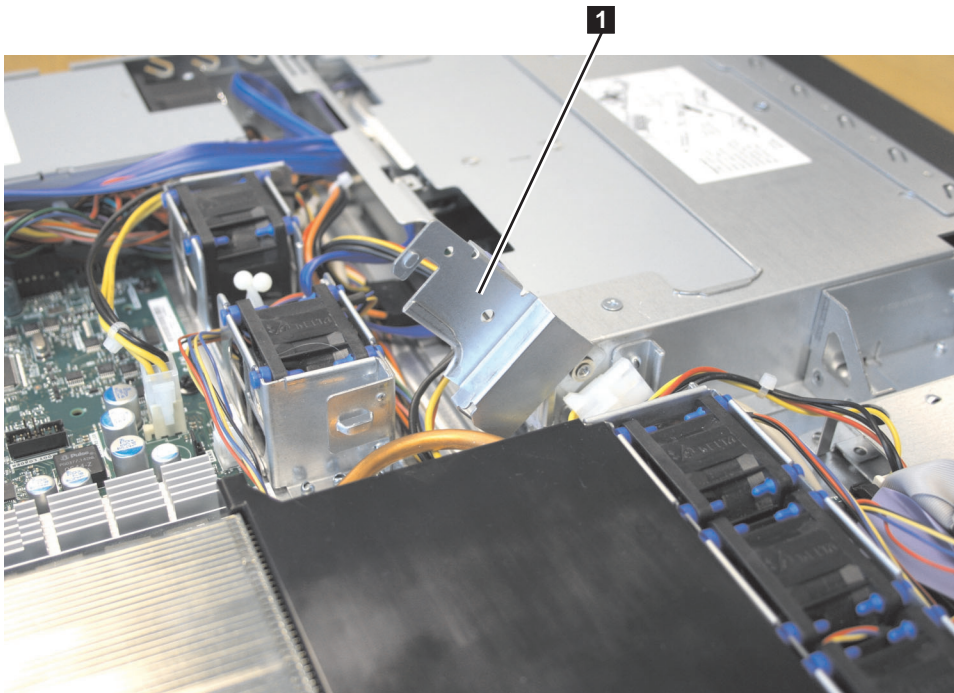


Figure 115. Air deflector for the SAN Volume Controller 2145-8A4 power supply

10. Slightly lift the backplane out of the node. Disconnect power cable connectors P2 **1** and P3 **2**, shown in Figure 116 on page 136, and remove the backplane.

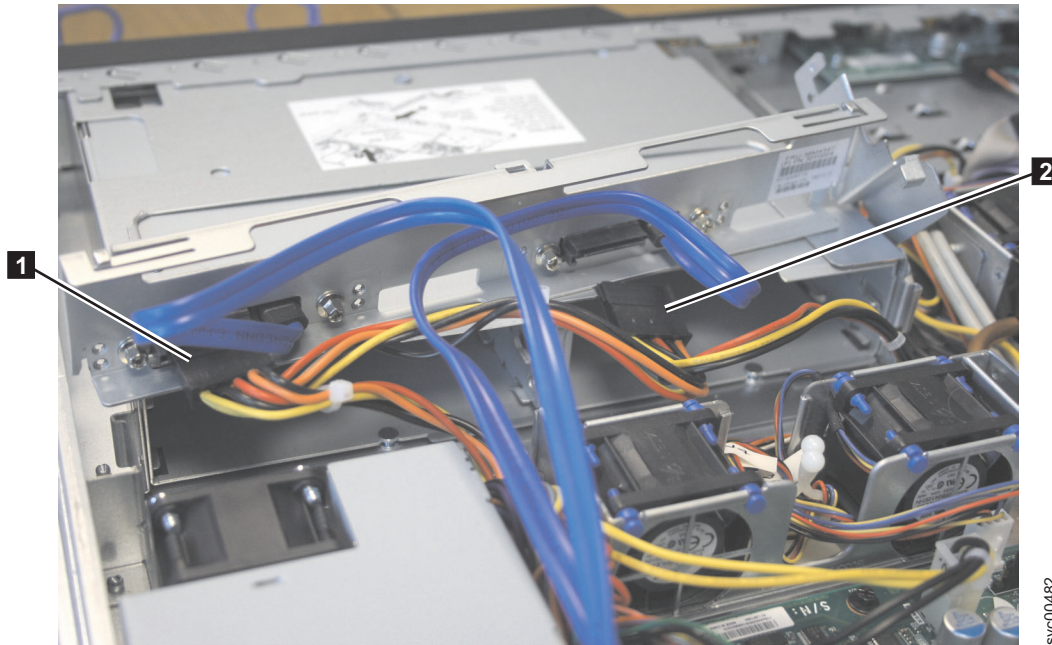


Figure 116. SAN Volume Controller 2145-8A4 power supply connectors

Removing the SAN Volume Controller 2145-8G4 disk-drive backplane

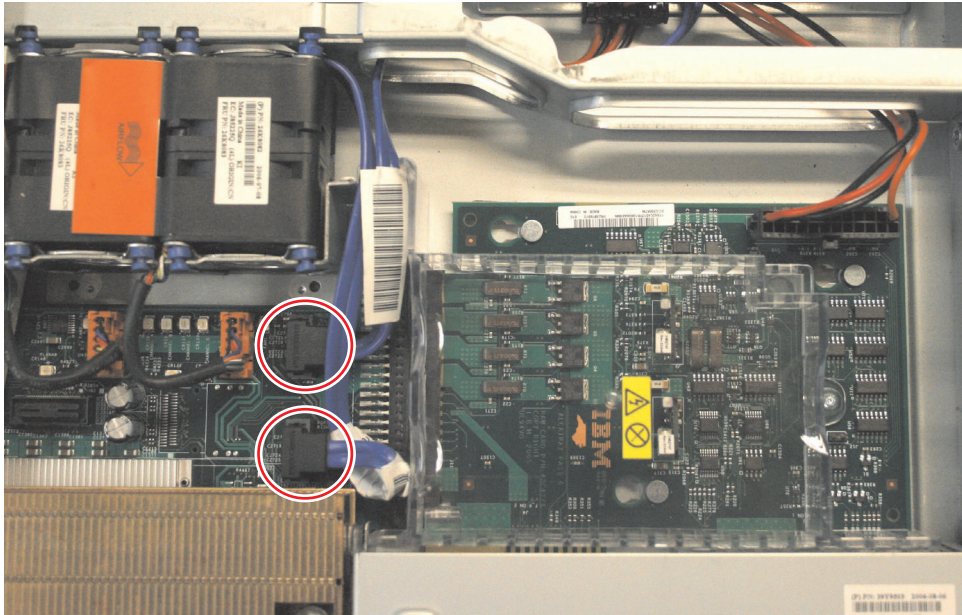
Use the following information to remove the SAN Volume Controller 2145-8G4 disk-drive backplane.

About this task

To remove the SAN Volume Controller 2145-8G4 disk-drive backplane, including the SATA backplane, complete the following steps:

Procedure

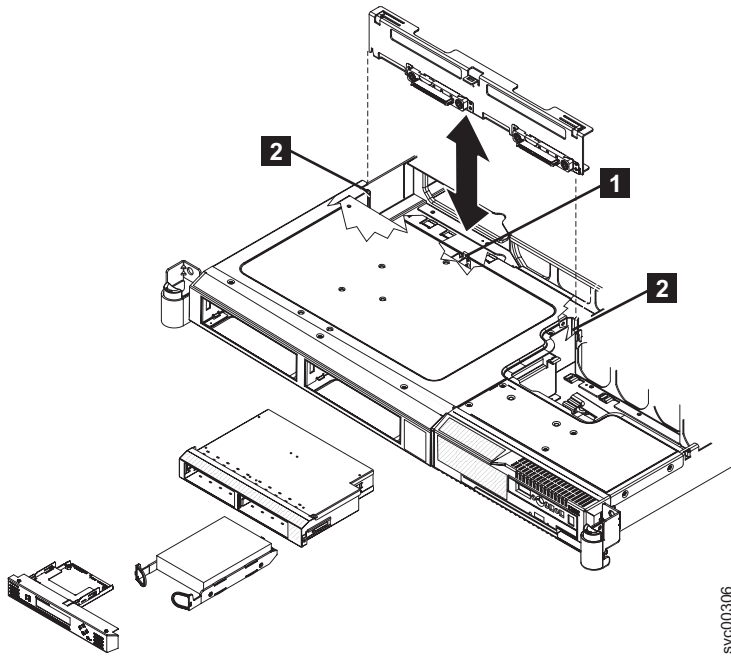
1. Read the safety precautions in “Safety and environmental notices” on page xiii.
2. Turn off the node while ensuring that its data is mirrored and synchronized. See MAP 5350 in the *IBM System Storage SAN Volume Controller Troubleshooting Guide* for more information.
3. Remove the cable-retention bracket and disconnect the power cable from the node. See “Removing the cable-retention bracket” on page 34.
4. Remove the node from the rack and place it on a flat, static-protective surface. See “Removing the SAN Volume Controller from a rack” on page 47.
5. Remove the service controller. See “Removing the service controller” on page 88.
6. Pull the hard disk drive out of the node slightly to disengage it from the backplane.
7. Remove the top cover. See “Removing the top cover” on page 80.
8. Disconnect the two blue signal cables from the system board, shown in Figure 117 on page 137, and disconnect the power cable from the power supply backplane card.



svc00514

Figure 117. The SAN Volume Controller 2145-8G4 disk-drive backplane connectors

9. Press the locking tab **1**, which is shown in Figure 118, and lift the backplane out of the node slightly. Disconnect the power cable and remove the backplane.



svc00306

Figure 118. The SAN Volume Controller 2145-8G4 SATA disk drive and backplane

- 1** Locking tab
- 2** Mounting channel

Replacing the disk-drive backplane

You might have to replace the disk-drive backplane, which includes the simple-swap SAS backplane in the SAN Volume Controller 2145-CF8 or the hot-swap SATA backplane for a SAN Volume Controller 2145-8A4 or SAN Volume Controller 2145-8G4.

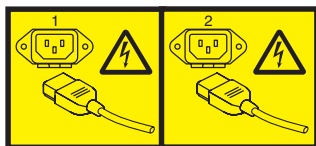
Replacing the SAN Volume Controller 2145-CG8 or 2145-CF8 disk-drive backplane

You can replace the SAN Volume Controller 2145-CG8 or 2145-CF8 disk-drive backplane, which includes the SAS backplane.

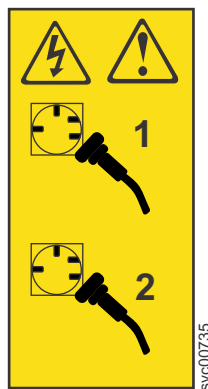
Before you begin

DANGER

Multiple power cords. The product might be equipped with multiple power cords. To remove all hazardous voltages, disconnect all power cords. (L003)



or



or



About this task

To replace the SAN Volume Controller 2145-CG8 or 2145-CF8 disk-drive backplane, complete the following steps:

Procedure

1. Align the tabs on the disk-drive backplane with the slots on the backplane bracket.
2. Insert the 2145-CF8 disk-drive backplane tabs into slots on the backplane bracket and push the disk-drive backplane down until the backplane is fully seated and the tabs locked in place.

You can reconnect the boot-disk cable to the connector on the left side (when viewed from the rear) of the back of the backplane before installing the backplane into the brackets, or you can connect the cable after you install the backplane, if that is easier for you.

The other end of this cable attaches to the disk-controller and USB riser card assembly, as shown in Figure 121 on page 140.

If you are using solid-state drives (SSDs), you can connect the labelled end of the high-speed SAS cable to the connector in the middle of the back of the disk-drive backplane. The other end of this cable attaches to the high-speed SAS adapter at the rear of the node.

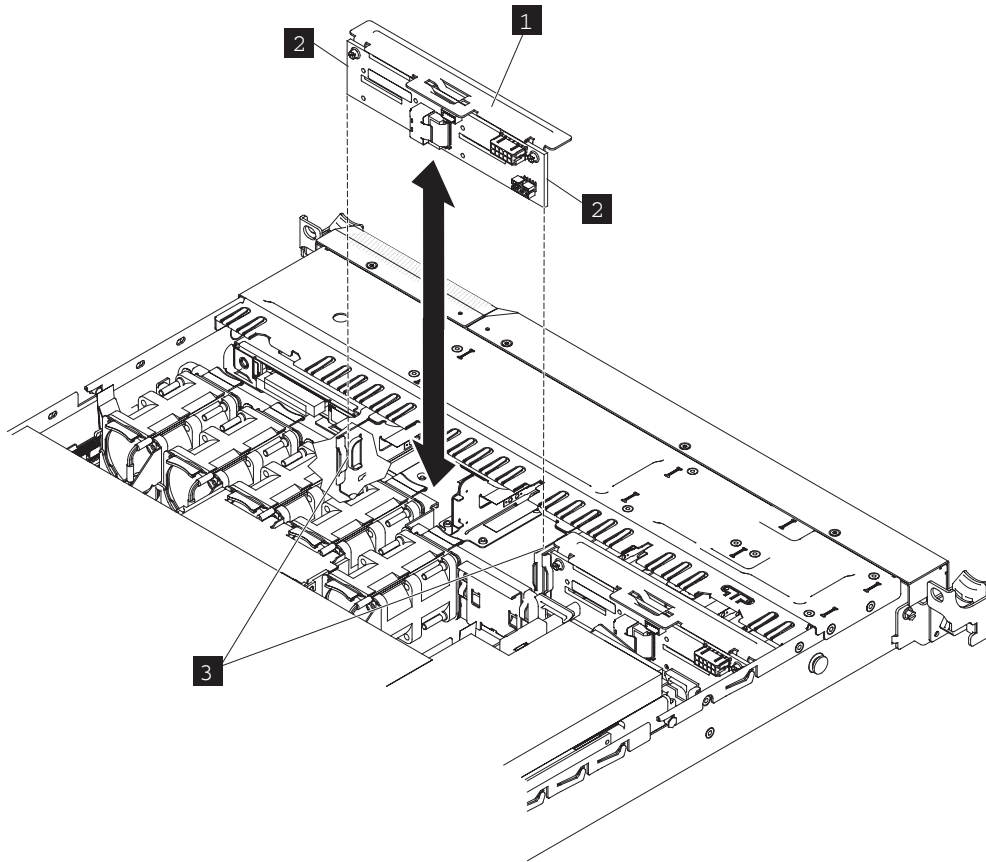


Figure 119. The 2145-CG8 boot-disk backplane

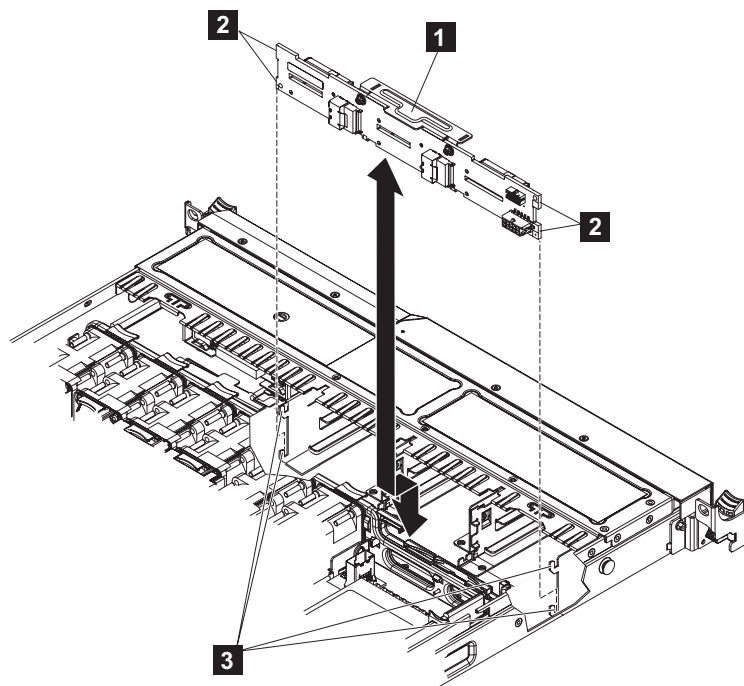


Figure 120. The SAN Volume Controller 2145-CF8 disk backplane

- 1** Disk-drive backplane
- 2** Backplane edges on the 2145-CG8 and tabs on the 2145-CF8
- 3** Backplane-bracket slots

3. Reconnect the cables to the disk-drive backplane.

The boot-drive cable and the high-speed SAS-adapter cable are shown in Figure 121.

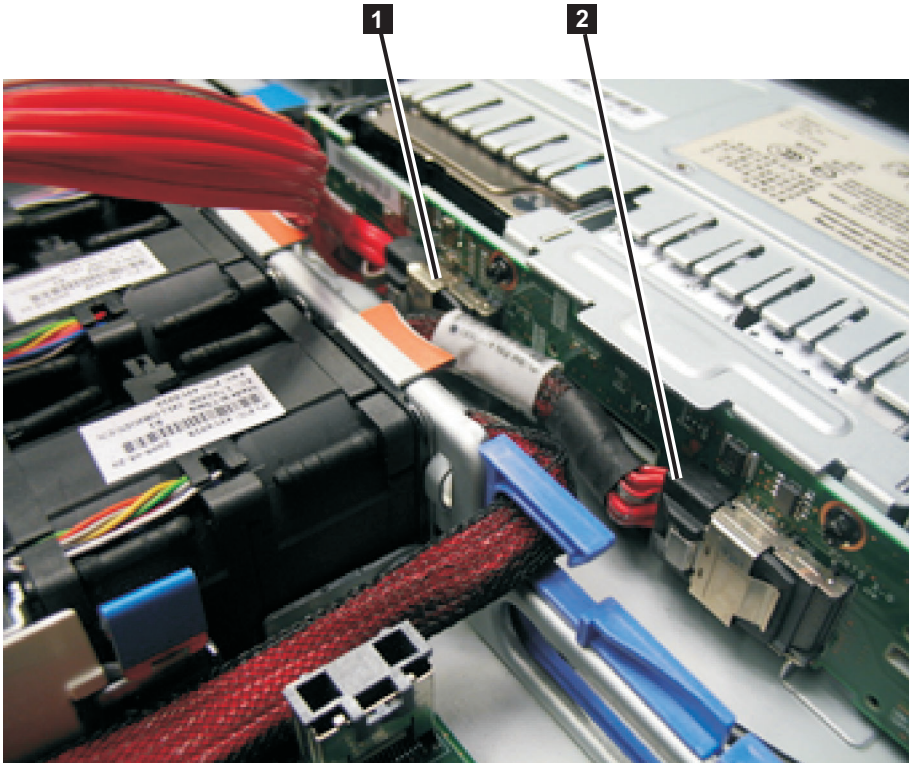


Figure 121. Boot-disk SAS cable and the high-speed SAS cable connected to the disk backplane in the SAN Volume Controller 2145-CG8 or 2145-CF8

- 1** Boot-disk signal cable that is plugged into the disk-drive backplane to support drive bay 4
- 2** High-speed SAS-adapter cable that is plugged into the middle of the backplane to support drive bays 0, 1, 2, and 3

(Not pictured) Backplane-control cable that should plug into the lower right connector on the back of the backplane

4. Reconnect the boot-disk SAS cable to the SAS disk controller.

The boot-drive cable and the high-speed SAS-adapter cable are shown in Figure 122 on page 141.

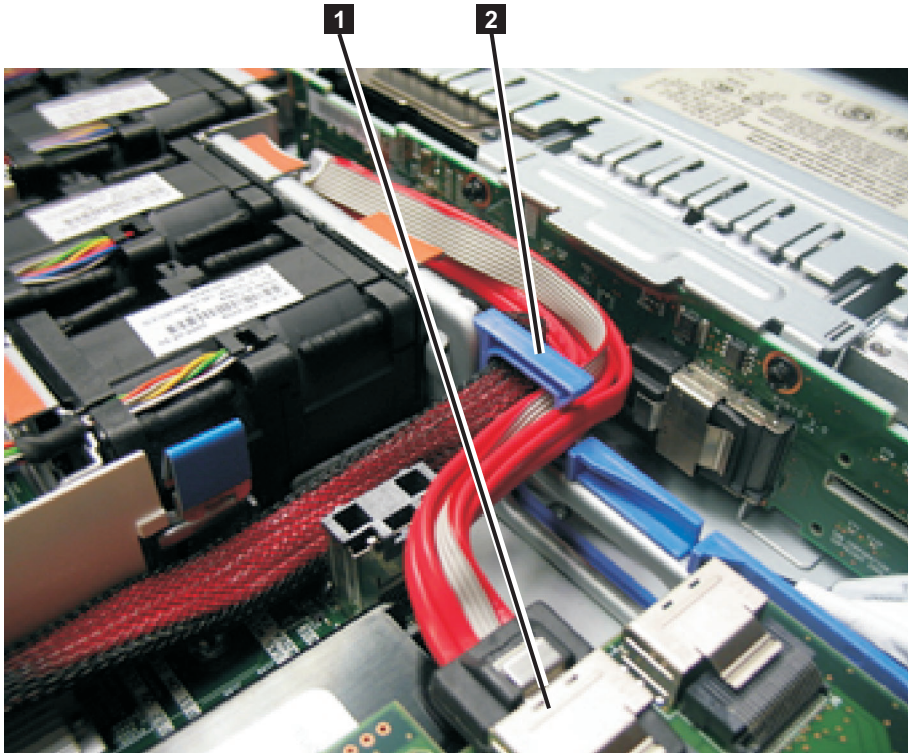


Figure 122. Boot-disk SAS cable routed through the blue bulkhead clip and connected to the SAS disk controller in the SAN Volume Controller 2145-CG8 or 2145-CF8

- 1 Boot-disk SAS cable that is plugged into the disk-controller-and-USB-riser-card assembly
 - 2 Blue bulkhead clip with the high-speed SAS-adapter cable and the boot-disk SAS cable
5. Reinstall the fans, as described in “Replacing the fans” on page 257.
 6. Reinstall the cover, as described in “Replacing the top cover” on page 85.
 7. Reinstall the disk drives and drive-bay blank electromagnetic compatibility (EMC) filler assemblies, as described in “Replacing the disk drive” on page 121.
 8. Replace the service controller, as described in “Replacing the service controller” on page 99.
 9. If you removed the node from the rack, replace the node in the rack, as described in “Replacing the SAN Volume Controller in a rack” on page 58.
 10. If you removed any Fibre Channel or Ethernet cables, use the labels you placed on each cable to replace all Fibre Channel and Ethernet cables in the same ports from which they were removed.
 11. If you removed the power cords, replace the power cords and the cable-retention brackets, as described in “Replacing the cable-retention bracket” on page 40.
 12. Lift the locking levers (1 in Figure 123 on page 142) on the slide rails and push the server 2 all the way into the rack until it clicks into place.

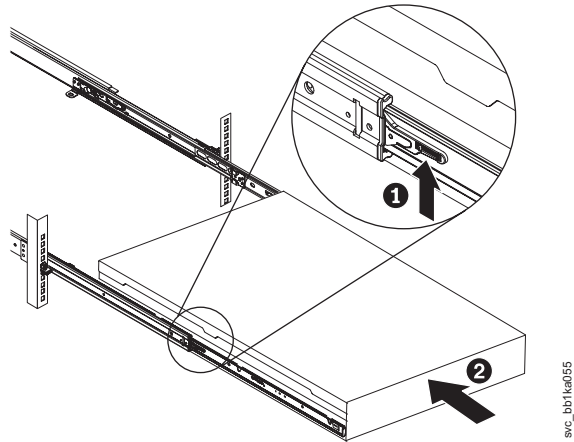


Figure 123. Raising the SAN Volume Controller 2145-CF8 or 2145-CG8 locking levers of the slide rails of the rack

13. Turn on the node.

Replacing the SAN Volume Controller 2145-8A4 disk-drive backplane

To replace the SAN Volume Controller 2145-8A4 disk-drive backplane, including the SATA backplane, complete the following steps.

Procedure

1. Make sure that the air deflector **1**, which is shown in Figure 124, is in the open position.

Note: The air deflector also functions as the backplane latch. In this procedure, you must lift the air deflector to access some of the cables.

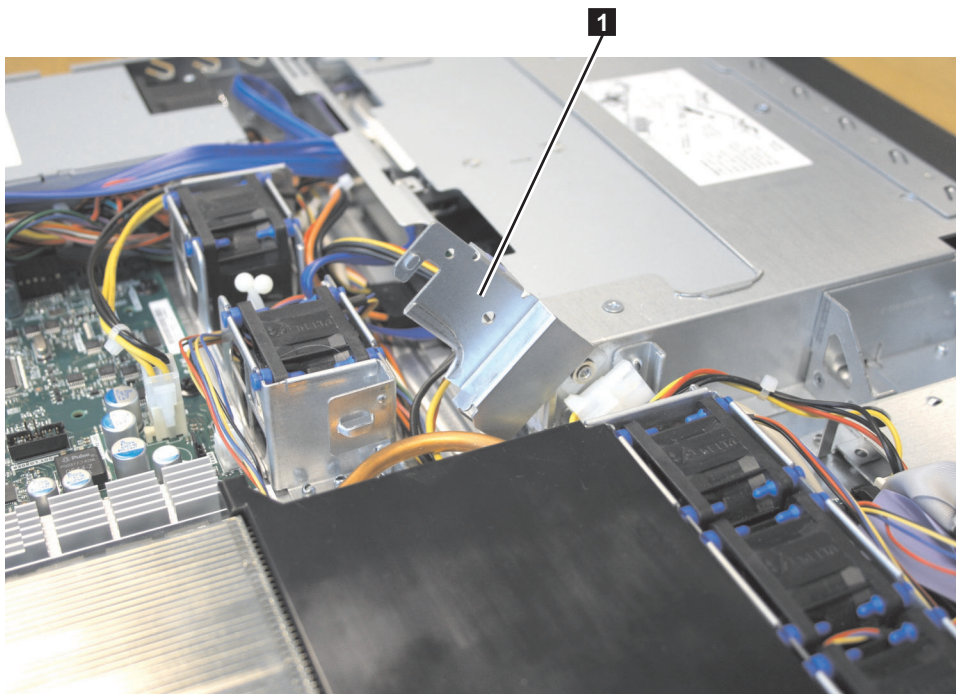


Figure 124. Air deflector for the SAN Volume Controller 2145-8A4 power supply

2. Connect power cable connectors P2 **1** and P3 **2** to the replacement backplane, as shown in Figure 125.

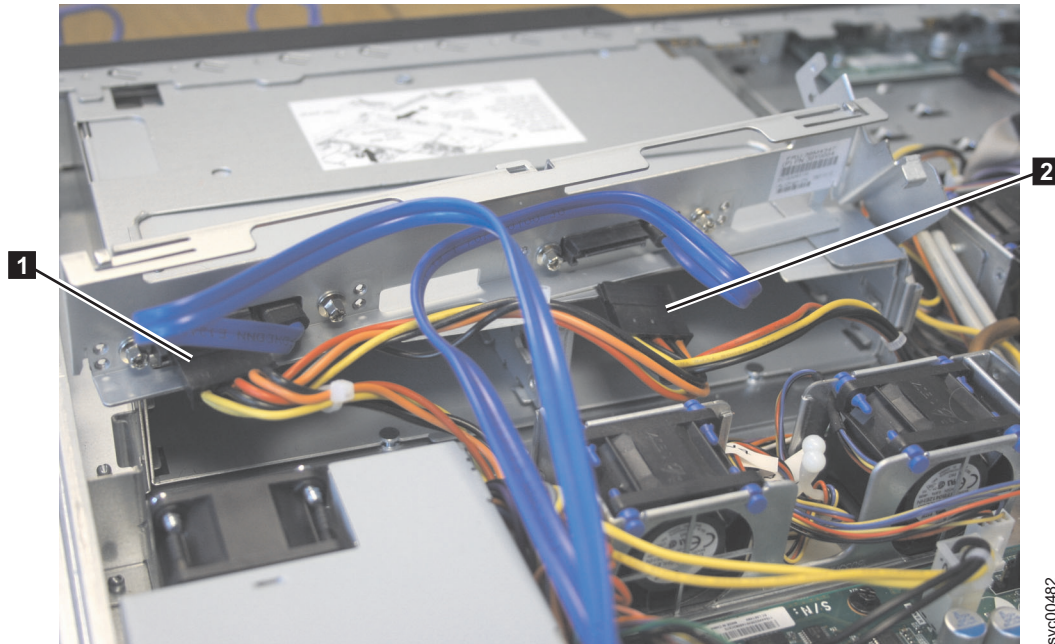


Figure 125. SAN Volume Controller 2145-8A4 power supply connectors

3. Slide the backplane into the card guides, making sure not to trap or pinch any nearby wires or cables.
4. Press firmly until the backplane is fully seated.
5. Rotate the air deflector (**1** in Figure 124 on page 142) into place, making sure not to pinch any cables beneath it, and press it down firmly.
6. Reconnect the SATA cables to the system board. When you look from the front, SATA 0 is the drive number for the left bay and SATA 2 is the drive number for the right bay.

Note: Make sure that the cable drive number matches the connector number on the system board. The cables will cross over each other, as shown in Figure 126 on page 144.

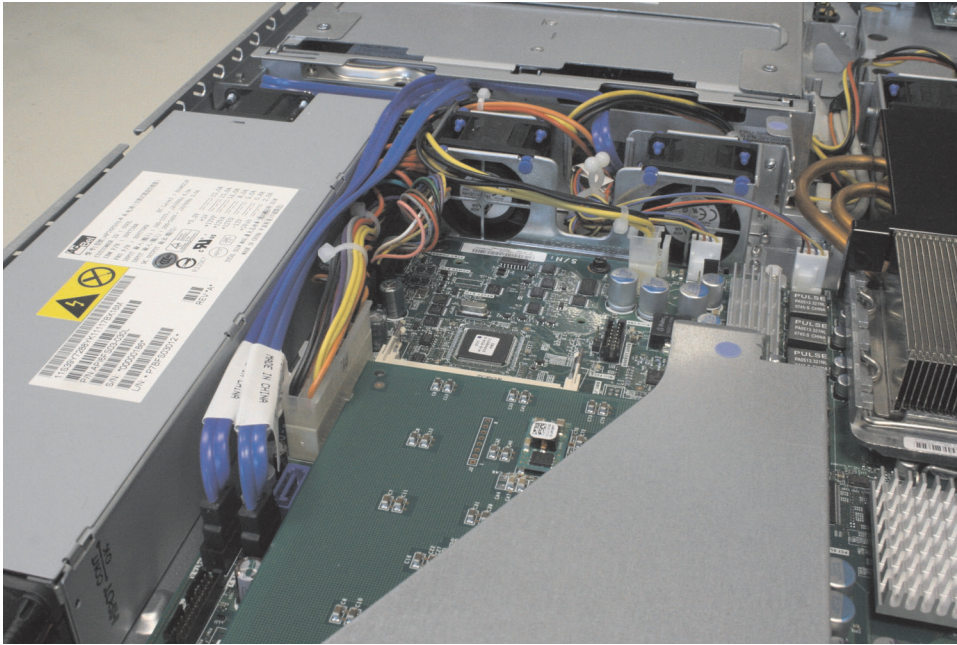


Figure 126. SAN Volume Controller 2145-8A4 SATA cables

7. Install the hard disk drive. See “Replacing the disk drive” on page 121.
8. Install the service controller. See “Replacing the service controller” on page 99.
9. Replace the top cover. See “Replacing the top cover” on page 85.
10. Place the node in the rack. See “Replacing the SAN Volume Controller in a rack” on page 58.
11. Reconnect the Fibre Channel and Ethernet cables. Ensure that you replace the Fibre Channel and Ethernet cables in the same ports from which they were removed.
12. Turn on the node.

Replacing the SAN Volume Controller 2145-8G4 disk-drive backplane

To replace the SAN Volume Controller 2145-8G4 disk-drive backplane, including the SATA backplane, complete the following steps.

Procedure

1. Connect the power cable to the replacement back plate.
2. Slide the backplane into the mounting channels **2**, which are shown in Figure 127 on page 145, making sure not to trap or pinch any nearby wires or cables.

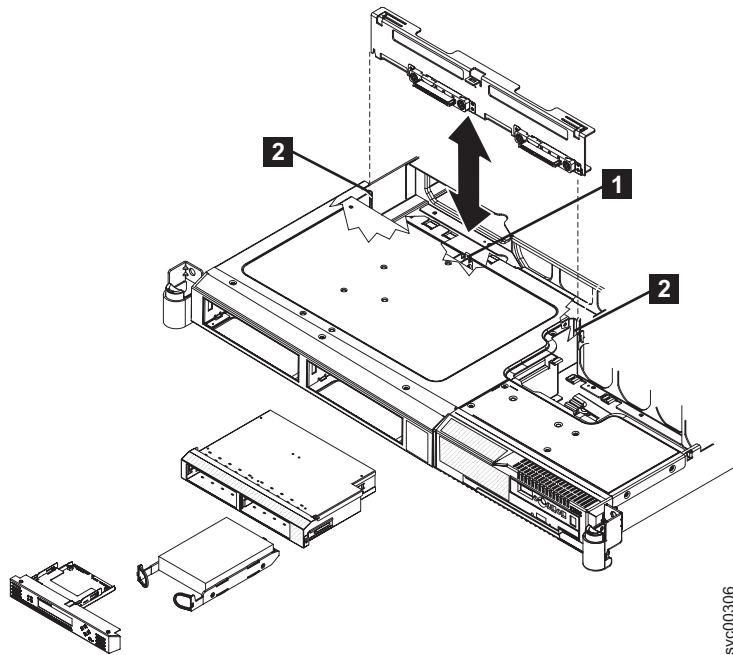


Figure 127. The SAN Volume Controller 2145-8G4 SATA disk drive and backplane

3. Press firmly until the backplane is fully seated and the locking tab **1** snaps into place.
4. Reconnect the power cable to the power supply backplane card. Then reconnect the two blue signal cables to the system board. The left cable goes to the front system board connector and the right cable goes to the rear system board connector, as shown in Figure 128.

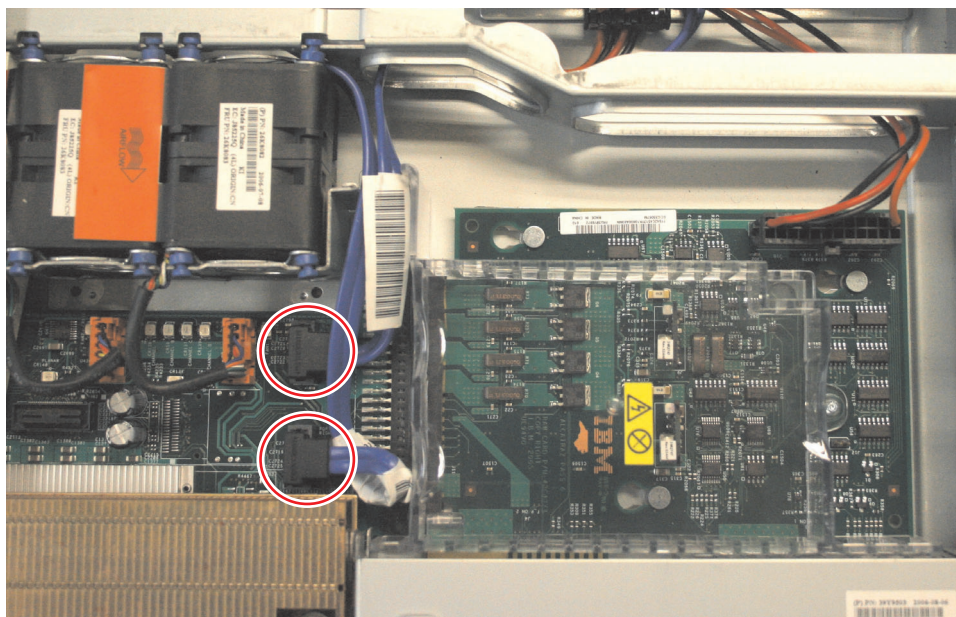


Figure 128. The SAN Volume Controller 2145-8G4 disk-drive backplane connectors

5. Install the hard disk drive. See “Replacing the disk drive” on page 121.
6. Install the service controller. See “Replacing the service controller” on page 99.
7. Replace the top cover. See “Replacing the top cover” on page 85.
8. Place the node in the rack. See “Replacing the SAN Volume Controller in a rack” on page 58.

9. Reconnect the Fibre Channel and Ethernet cables. Ensure that you replace the Fibre Channel and Ethernet cables in the same ports from which they were removed.
10. Turn on the node.

Removing the CMOS battery

You must remove the system board complementary metal-oxide semiconductor (CMOS), or system-board, battery to replace it or to perform routine maintenance.

Before you begin

This product was designed with your safety in mind. The lithium battery must be handled correctly to avoid possible danger. If you replace the battery, you must adhere to all safety instructions.

Use the reference numbers in parentheses at the end of each notice, such as (C003) for example, to find the matching translated notice in *IBM System Storage SAN Volume Controller Safety Notices*.

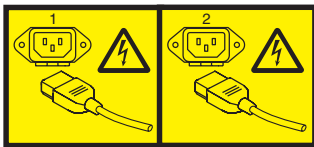
Removing the SAN Volume Controller 2145-CG8 or 2145-CF8 CMOS battery

This topic describes how to remove the SAN Volume Controller 2145-CG8 or 2145-CF8 CMOS battery.

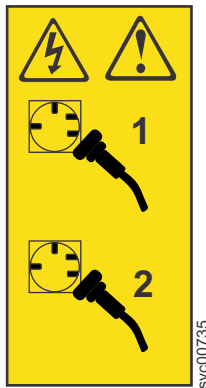
Before you begin

DANGER

Multiple power cords. The product might be equipped with multiple power cords. To remove all hazardous voltages, disconnect all power cords. (L003)



or



or



CAUTION:

The battery contains lithium. To avoid possible explosion, do not burn or charge the battery.

Do not:

- Throw or immerse into water
- Heat to more than 100°C (212°F)
- Repair or disassemble

Exchange only with the IBM-approved part. Recycle or discard the battery as instructed by local regulations. In the United States, IBM has a process for the collection of this battery. For information, call 1-800-426-4333. Have the IBM part number for the battery unit available when you call. (C003)

About this task

This service action requires you to remove the cover and:

- Turn the node off.
- Disconnect the power cables.
- Optionally disconnect the Fibre Channel and Ethernet data cables.

To remove the CMOS battery, perform the following steps:

Procedure

1. Read the safety information to which “Preparing to remove and replace parts” on page 26 refers.
2. Follow the procedure in MAP 5350 in the *IBM System Storage SAN Volume Controller Troubleshooting Guide* to verify that the node data is mirrored and synchronized, and that there are no dependent volumes before turning off the node.
3. Slide the node out on its slide rails to the fully extended position.
You can perform most service actions when the node is fully extended from the rack on its slide rails. You can leave the Fibre Channel and Ethernet cables connected, if you are using the cable-management arm and if you are not removing the node from the rack. If the location of the node in the rack is too high or too low to work comfortably, you can remove the node from the rack.
4. When the node is completely turned off, remove the cable-retention brackets and disconnect the power cables, as described in “Removing the cable-retention bracket” on page 34.
5. Optional: If you must remove the node from the rack to work on it, perform the following procedure to remove all cables and remove the node from the rack:
 - a. To make sure that you can replace all cables in the same ports from which they were removed, label the port position of each Fibre Channel and Ethernet cable; then remove all cables from the back of the node.
 - b. Remove the node from the rack and place it on a flat, static-protective surface. See “Removing the SAN Volume Controller from a rack” on page 47.
6. Remove the top cover. See “Removing the top cover” on page 80.
7. Locate the battery **1** on the system board. Figure 129 shows the location of the battery.

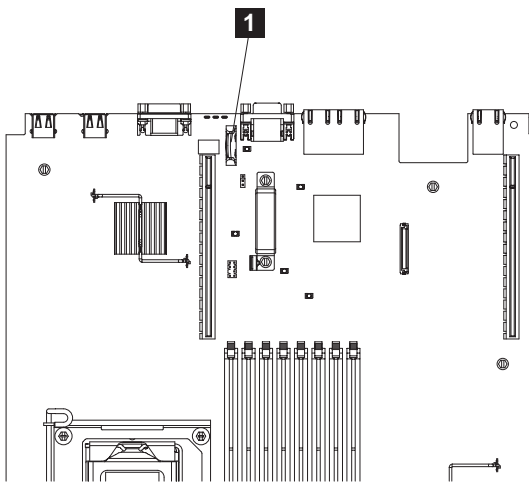


Figure 129. Location of the SAN Volume Controller 2145-CG8 or 2145-CF8 CMOS battery holder

8. Remove the CMOS battery, as shown in Figure 130 on page 148:

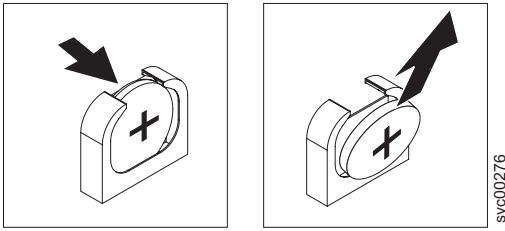


Figure 130. SAN Volume Controller 2145-CG8 or 2145-CF8 CMOS battery holder

- a. Use a fingernail to press the top of the battery clip away from the battery. The battery pops up when released.
 - b. Use your thumb and index finger to lift the battery from the socket.
9. Recycle or discard the battery as instructed by local regulations.
See the warning at the beginning of this topic for further instructions regarding handling the battery.

Removing the SAN Volume Controller 2145-8A4 CMOS battery

This topic describes how to remove the SAN Volume Controller 2145-8A4 CMOS battery.

Before you begin

CAUTION:

The battery contains lithium. To avoid possible explosion, do not burn or charge the battery.

Do not:

- Throw or immerse into water
- Heat to more than 100°C (212°F)
- Repair or disassemble

Exchange only with the IBM-approved part. Recycle or discard the battery as instructed by local regulations. In the United States, IBM has a process for the collection of this battery. For information, call 1-800-426-4333. Have the IBM part number for the battery unit available when you call. (C003)

About this task

To remove the CMOS battery, perform the following steps:

Procedure

1. Read the safety precautions in “Safety and environmental notices” on page xiii.
2. Turn off the node while ensuring that its data is mirrored and synchronized. See MAP 5350 in the *IBM System Storage SAN Volume Controller Troubleshooting Guide* for more information.
3. Remove the node from the rack and place it on a flat, static-protective surface. See “Removing the SAN Volume Controller from a rack” on page 47.
4. Remove the top cover. See “Removing the top cover” on page 80.
5. Lift the riser-card assembly out of the way. You do not need to separate the riser-card assembly and the Fibre Channel adapter. See “Removing the PCI express riser card assembly” on page 225.
6. Locate the battery on the system board.
 - 1** in Figure 131 on page 149 shows the location of the battery.

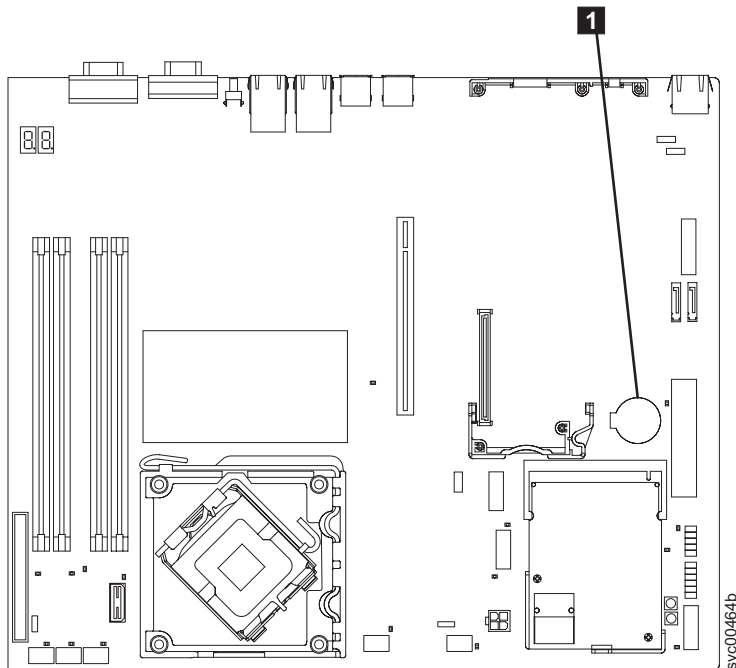


Figure 131. Locating the SAN Volume Controller 2145-8A4 CMOS battery

7. Remove the CMOS battery, as shown in Figure 132:

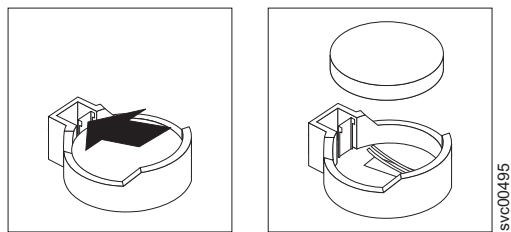


Figure 132. Removing the SAN Volume Controller 2145-8A4 CMOS battery

- a. Use a fingernail to press the top of the battery clip away from the battery. The battery pops up when released.
- b. Use your thumb and index finger to lift the battery from the socket.

Removing the SAN Volume Controller 2145-8G4 CMOS battery

This topic describes how to remove the SAN Volume Controller 2145-8G4 CMOS battery.

Before you begin

CAUTION:

The battery contains lithium. To avoid possible explosion, do not burn or charge the battery.

Do not:

- Throw or immerse into water
- Heat to more than 100°C (212°F)
- Repair or disassemble

Exchange only with the IBM-approved part. Recycle or discard the battery as instructed by local regulations. In the United States, IBM has a process for the collection of this battery. For information, call 1-800-426-4333. Have the IBM part number for the battery unit available when you call. (C003)

About this task

To remove the CMOS battery, perform the following steps:

Procedure

1. Turn off the node while ensuring that its data is mirrored and synchronized. See MAP 5350 in the *IBM System Storage SAN Volume Controller Troubleshooting Guide* for more information.
2. Remove the cable-retention bracket and disconnect the power cable from the node. See “Removing the cable-retention bracket” on page 34.
3. Remove the top cover. See “Removing the top cover” on page 80.
4. Locate the battery **1** on the system board. Figure 133 shows the location of the battery.

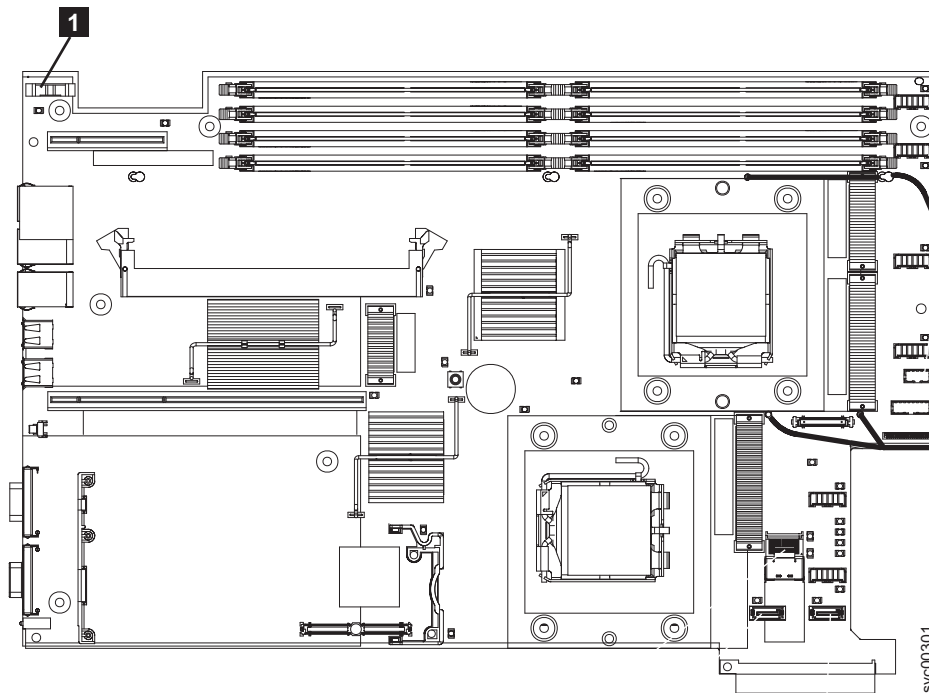


Figure 133. Location of the SAN Volume Controller 2145-8G4 CMOS battery holder

5. Remove the CMOS battery, as shown in Figure 134 on page 151:

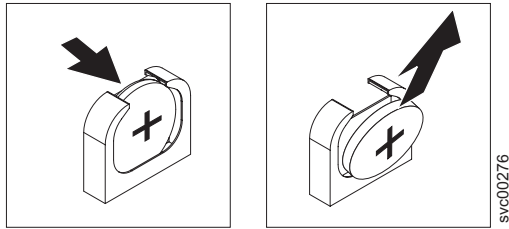


Figure 134. SAN Volume Controller 2145-8G4 CMOS battery holder

- a. Use a fingernail to press the top of the battery clip away from the battery. The battery pops up when released.
- b. Use your thumb and index finger to lift the battery from the socket.

Removing the SAN Volume Controller 2145-8F4 or SAN Volume Controller 2145-8F2 CMOS battery

This topic describes how to remove the SAN Volume Controller 2145-8F4 and SAN Volume Controller 2145-8F2 CMOS battery.

Before you begin

CAUTION:

The battery contains lithium. To avoid possible explosion, do not burn or charge the battery.

Do not:

- Throw or immerse into water
- Heat to more than 100°C (212°F)
- Repair or disassemble

Exchange only with the IBM-approved part. Recycle or discard the battery as instructed by local regulations. In the United States, IBM has a process for the collection of this battery. For information, call 1-800-426-4333. Have the IBM part number for the battery unit available when you call. (C003)

About this task

To remove the CMOS battery, perform the following steps:

Procedure

1. Follow any special handling and installation instructions supplied with the battery.
2. Turn off the node while ensuring that its data is mirrored and synchronized. See MAP 5350 in the *IBM System Storage SAN Volume Controller Troubleshooting Guide* for more information.
3. Remove the node from the rack and place it on a flat, static-protective surface. See “Removing the SAN Volume Controller from a rack” on page 47.
4. Remove the top cover. See “Removing the top cover” on page 80.
5. Locate the battery **1** on the system board. Figure 135 on page 152 shows the location of the battery.

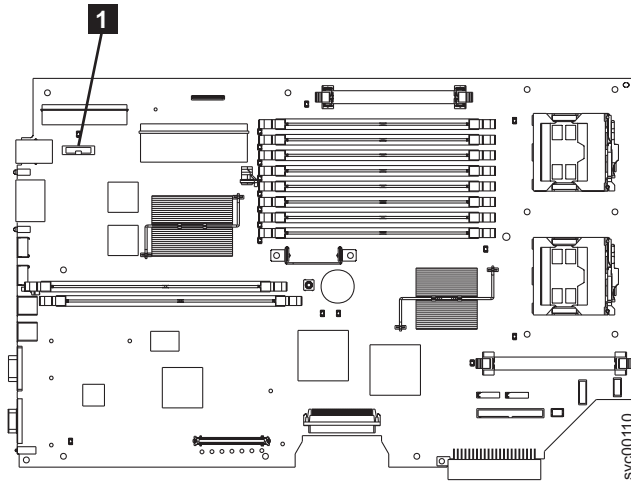


Figure 135. Location of the CMOS battery on the SAN Volume Controller 2145-8F2 or the SAN Volume Controller 2145-8F4

6. Remove the battery:
 - a. Use one finger to pull the retainer tab, which is shown in Figure 136, that secures the battery to its housing.

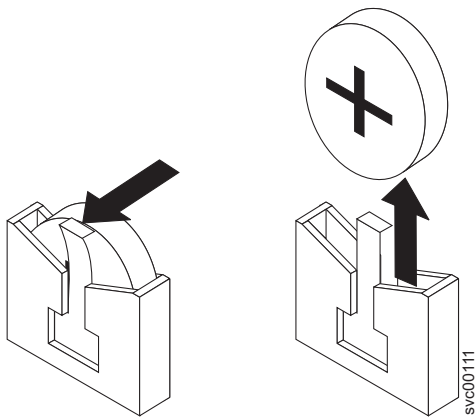


Figure 136. SAN Volume Controller 2145-8F2 or the SAN Volume Controller 2145-8F4 CMOS battery holder

- b. Use one finger to slide the battery up and out from its socket.

Replacing the CMOS battery

You must replace the system board complementary metal-oxide semiconductor (CMOS) battery after you perform routine maintenance.

Before you begin

The lithium battery must be handled correctly to avoid possible danger. If you replace the battery, you must adhere to all safety instructions.

Use the reference numbers in parentheses at the end of each notice, such as (C003) for example, to find the matching translated notice in *IBM System Storage SAN Volume Controller Safety Notices*.

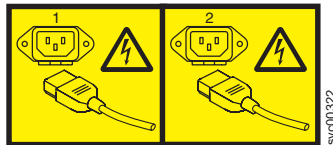
Replacing the SAN Volume Controller 2145-CG8 or 2145-CF8 system-board CMOS battery

This topic describes how to replace the system-board SAN Volume Controller 2145-CG8 or 2145-CF8 CMOS battery.

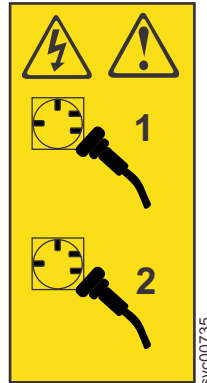
Before you begin

DANGER

Multiple power cords. The product might be equipped with multiple power cords. To remove all hazardous voltages, disconnect all power cords. (L003)



or



or



CAUTION:

The battery contains lithium. To avoid possible explosion, do not burn or charge the battery.

Do not:

- Throw or immerse into water
- Heat to more than 100°C (212°F)
- Repair or disassemble

Exchange only with the IBM-approved part. Recycle or discard the battery as instructed by local regulations. In the United States, IBM has a process for the collection of this battery. For information, call 1-800-426-4333. Have the IBM part number for the battery unit available when you call. (C003)

About this task

This service action assumes that:

- The node is turned off.
- The power cables are disconnected.
- The battery is removed from the node.
- The top cover is off.

Perform the following steps to replace the SAN Volume Controller 2145-CG8 or 2145-CF8 system-board CMOS battery:

Procedure

1. Follow any special handling and installation instructions that come with the replacement battery.

2. Locate the battery on the system board. Figure 137 shows the location (**1**) of the battery on the system board.

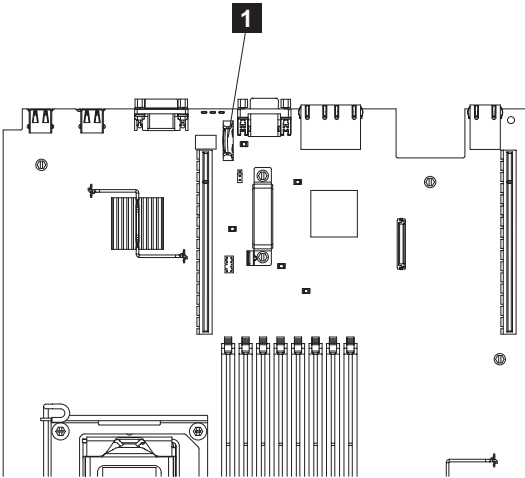


Figure 137. Location of the SAN Volume Controller 2145-CG8 or 2145-CF8 CMOS battery holder

3. Insert the new battery:
 - a. Tilt the battery so that you can insert it into the socket on the side opposite the battery clip.
 - b. Press the battery across into the socket until it clicks into place. Make sure that the battery clip holds the battery securely, as shown in Figure 138.

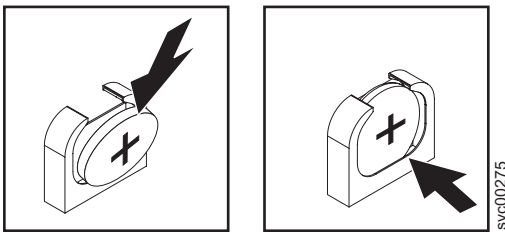


Figure 138. SAN Volume Controller 2145-CG8 or 2145-CF8 CMOS battery holder

4. Make sure that all cables, adapters, and other components are installed and seated correctly and that you have not left loose tools or parts inside the node. Make sure that all internal cables are correctly routed. If you disconnected the Fibre Channel and Ethernet cables, make sure that each cable is reconnected to the same port from which it was removed.
5. Replace the top cover. See “Replacing the top cover” on page 85.
6. If you removed the node from the rack, replace the node in the rack, as described in “Replacing the SAN Volume Controller in a rack” on page 58.
7. If you removed any Fibre Channel or Ethernet cables, use the labels you placed on each cable to replace all Fibre Channel and Ethernet cables in the same ports from which they were removed.
8. If you removed the power cords, replace the power cords and the cable-retention brackets, as described in “Replacing the cable-retention bracket” on page 40.
9. Lift the locking levers (**1** in Figure 139 on page 155) on the slide rails and push the server **2** all the way into the rack until it clicks into place.

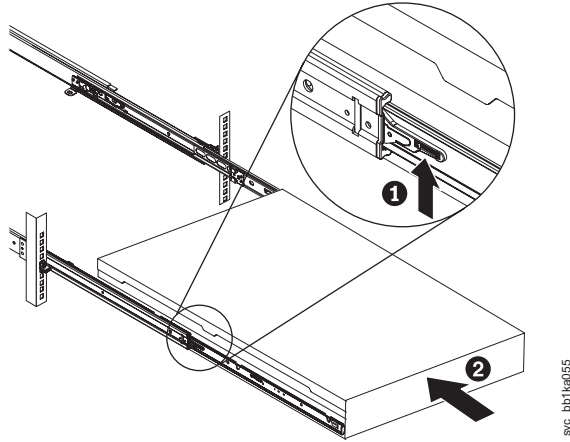


Figure 139. Raising the SAN Volume Controller 2145-CF8 or 2145-CG8 locking levers of the slide rails of the rack

10. Turn on the node.
11. If there is a problem restarting the node, see MAP 5900 in the *IBM System Storage SAN Volume Controller Troubleshooting Guide*; then connect a monitor and keyboard to the system and reset the BIOS date and time.

Replacing the SAN Volume Controller 2145-8A4 system-board CMOS battery

This topic describes how to replace the system-board SAN Volume Controller 2145-8A4 CMOS battery.

Before you begin

Consider the following notice when you replace the battery in the node:

CAUTION:

The battery contains lithium. To avoid possible explosion, do not burn or charge the battery.

Do not:

- Throw or immerse into water
- Heat to more than 100°C (212°F)
- Repair or disassemble

Exchange only with the IBM-approved part. Recycle or discard the battery as instructed by local regulations. In the United States, IBM has a process for the collection of this battery. For information, call 1-800-426-4333. Have the IBM part number for the battery unit available when you call. (C003)

About this task

To replace the SAN Volume Controller 2145-8A4 system-board CMOS battery, perform the following steps:

Procedure

1. Follow any special handling and installation instructions that come with the replacement battery.
2. Locate the battery on the system board.
 - 1 in Figure 140 on page 156 shows the location of the battery.

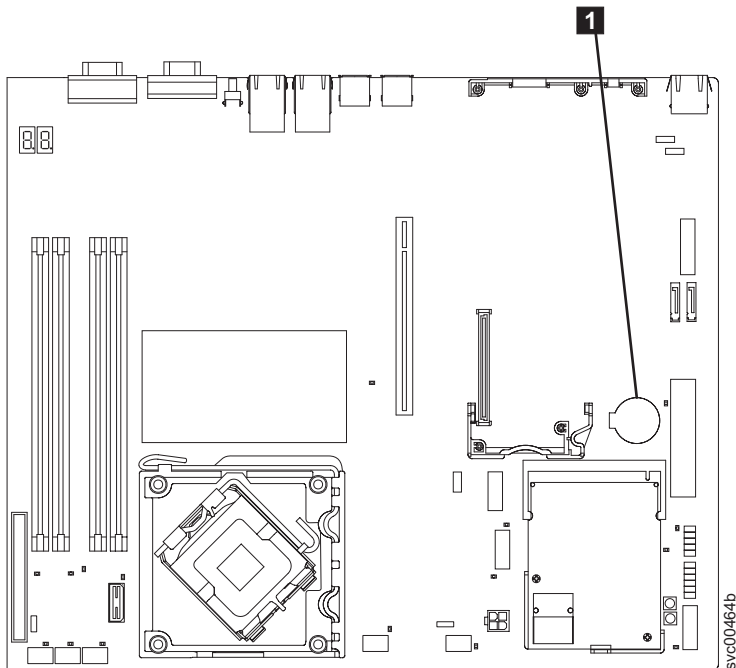


Figure 140. Locating the SAN Volume Controller 2145-8A4 CMOS battery

3. Insert the new battery:
 - a. Orient the battery so that the positive side faces up.
 - b. Tilt the battery so that you can insert it into the socket on the side opposite the battery clip.
 - c. Press the battery down into the socket, as shown in Figure 141, until it clicks into place. Make sure that the battery clip holds the battery securely.

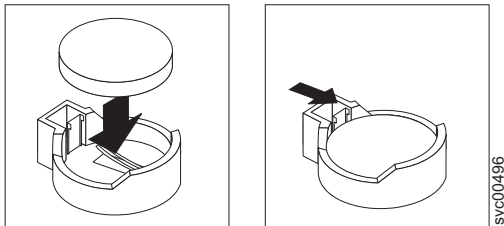


Figure 141. Installing the SAN Volume Controller 2145-8A4 CMOS battery

4. Replace the riser-card assembly and ensure that it is fully seated in the connectors on the system board. See “Replacing the PCI express riser-card assembly” on page 226.
5. Replace the top cover. See “Replacing the top cover” on page 85.
6. Place the node in the rack. See “Replacing the SAN Volume Controller in a rack” on page 58.
7. Reconnect the external cables, and then reconnect the power cords and the node.

Note: You must wait approximately 20 seconds after you connect power to the node before the power-control button becomes active.

8. Turn on the node.
9. If there is a problem restarting the node, see “MAP 5900” and then connect a monitor and keyboard to the system and reset the system date and time.

Replacing the SAN Volume Controller 2145-8G4 system-board CMOS battery

This topic describes how to replace the system-board SAN Volume Controller 2145-8G4 CMOS battery.

Before you begin

If you are exchanging the battery for a new one, use only IBM Part Number 33F8354 or a similar type of battery that the manufacturer recommends.

CAUTION:

The battery contains lithium. To avoid possible explosion, do not burn or charge the battery.

Do not:

- Throw or immerse into water
- Heat to more than 100°C (212°F)
- Repair or disassemble

Exchange only with the IBM-approved part. Recycle or discard the battery as instructed by local regulations. In the United States, IBM has a process for the collection of this battery. For information, call 1-800-426-4333. Have the IBM part number for the battery unit available when you call. (C003)

Use the reference numbers in parentheses at the end of each notice, such as (C003) for example, to find the matching translated notice in *IBM System Storage SAN Volume Controller Safety Notices*.

About this task

Perform the following steps to replace the SAN Volume Controller 2145-8G4 system-board CMOS battery:

Procedure

1. Follow any special handling and installation instructions that come with the replacement battery.
2. Locate the battery on the system board. Figure 142 on page 158 shows the location (**1**) of the battery.

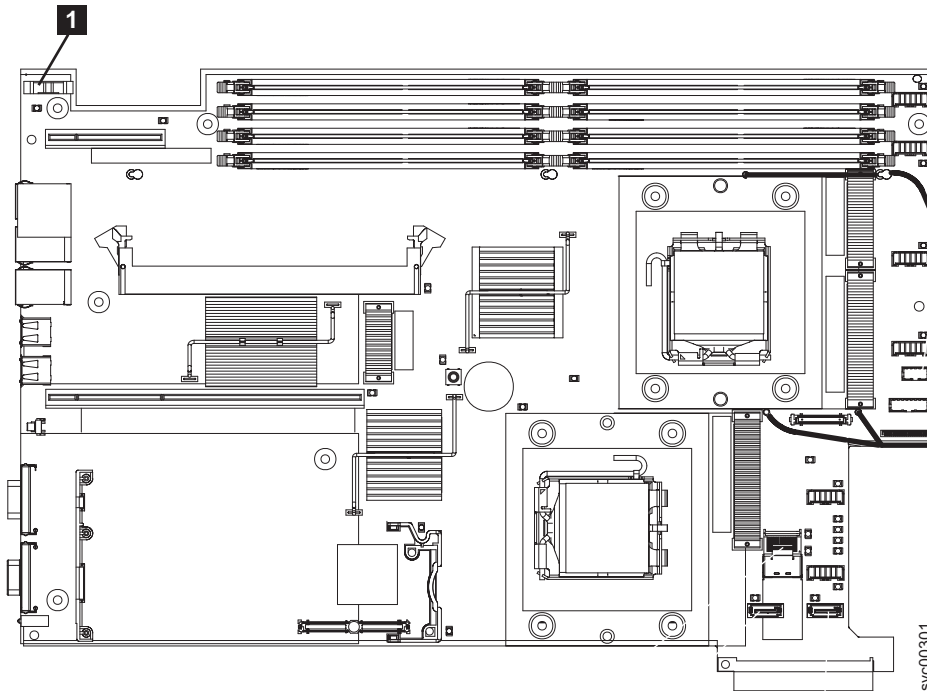


Figure 142. Location of the SAN Volume Controller 2145-8G4 CMOS battery holder

3. Insert the new battery:
 - a. Tilt the battery so that you can insert it into the socket on the side opposite the battery clip.
 - b. Press the battery down into the socket until it clicks into place. Make sure that the battery clip holds the battery securely, as shown in Figure 143.

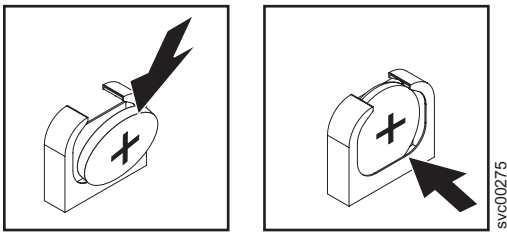


Figure 143. SAN Volume Controller 2145-8G4 CMOS battery holder

4. Replace the top cover. See “Replacing the top cover” on page 85.
5. Place the node in the rack. See “Replacing the SAN Volume Controller in a rack” on page 58.
6. Reconnect the external cables, and then reconnect the power cords and the node.
7. If there is a problem restarting the node, see MAP 5900 and then connect a monitor and keyboard to the system and reset the BIOS date and time.

Replacing the SAN Volume Controller 2145-8F4 or SAN Volume Controller 2145-8F2 CMOS battery

Before you begin

This product was designed with your safety in mind. The lithium battery must be handled correctly to avoid possible danger. If you replace the battery, you must adhere to all safety instructions.

CAUTION:

The battery contains lithium. To avoid possible explosion, do not burn or charge the battery.

Do not:

- Throw or immerse into water
- Heat to more than 100°C (212°F)
- Repair or disassemble

Exchange only with the IBM-approved part. Recycle or discard the battery as instructed by local regulations. In the United States, IBM has a process for the collection of this battery. For information, call 1-800-426-4333. Have the IBM part number for the battery unit available when you call. (C003)

Use the reference numbers in parentheses at the end of each notice, such as (C003) for example, to find the matching translated notice in *IBM System Storage SAN Volume Controller Safety Notices*.

About this task

Perform the following steps to replace the SAN Volume Controller 2145-8F2 or SAN Volume Controller 2145-8F4 CMOS battery:

Procedure

1. Insert the new battery in the battery socket. Figure 144 shows the location (1) of the battery socket.

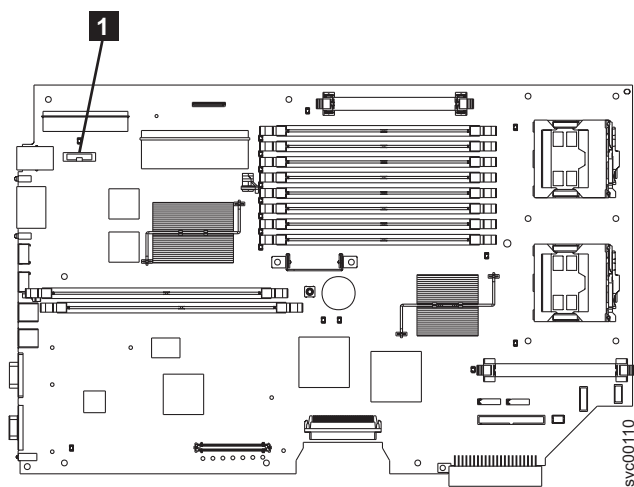


Figure 144. Location of the CMOS battery on the SAN Volume Controller 2145-8F2 or the SAN Volume Controller 2145-8F4

- a. Hold the battery so that the positive (+) side of the battery is facing toward the center of the server.
- b. Pull the retainer tab out of the way so that you can slide the battery into its socket.
- c. Slide the battery down until it snaps into place, as shown in Figure 145 on page 160.

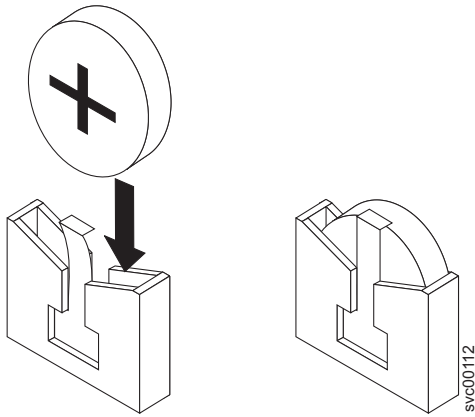


Figure 145. CMOS battery socket

2. Replace the top cover. See “Replacing the top cover” on page 85.
3. Place the node in the rack. See “Replacing the SAN Volume Controller in a rack” on page 58.
4. If there is a problem restarting the node, see MAP 5900 in the *IBM System Storage SAN Volume Controller Troubleshooting Guide*; then connect a monitor and keyboard to the system and reset the BIOS date and time.

Removing the power supply

You must remove the SAN Volume Controller power supply if you intend to replace it.

Before you begin

Use the reference numbers in parentheses at the end of each notice, such as (C003) for example, to find the matching translated notice in *IBM System Storage SAN Volume Controller Safety Notices*.

DANGER

When working on or around the system, observe the following precautions:

Electrical voltage and current from power, telephone, and communication cables are hazardous. To avoid a shock hazard:

- Connect power to this unit only with the IBM provided power cord. Do not use the IBM provided power cord for any other product.
- Do not open or service any power supply assembly.
- Do not connect or disconnect any cables or perform installation, maintenance, or reconfiguration of this product during an electrical storm.
- The product might be equipped with multiple power cords. To remove all hazardous voltages, disconnect all power cords.
- Connect all power cords to a properly wired and grounded electrical outlet. Ensure that the outlet supplies proper voltage and phase rotation according to the system rating plate.
- Connect any equipment that will be attached to this product to properly wired outlets.
- When possible, use one hand only to connect or disconnect signal cables.
- Never turn on any equipment when there is evidence of fire, water, or structural damage.
- Disconnect the attached power cords, telecommunications systems, networks, and modems before you open the device covers, unless instructed otherwise in the installation and configuration procedures.
- Connect and disconnect cables as described in the following procedures when installing, moving, or opening covers on this product or attached devices.

To disconnect:

1. Turn off everything (unless instructed otherwise).
2. Remove the power cords from the outlets.
3. Remove the signal cables from the connectors.
4. Remove all cables from the devices.

To connect:

1. Turn off everything (unless instructed otherwise).
 2. Attach all cables to the devices.
 3. Attach the signal cables to the connectors.
 4. Attach the power cords to the outlets.
 5. Turn on the devices.
- Sharp edges, corners and joints may be present in and around the system. Use care when handling equipment to avoid cuts, scrapes and pinching.

(D005)

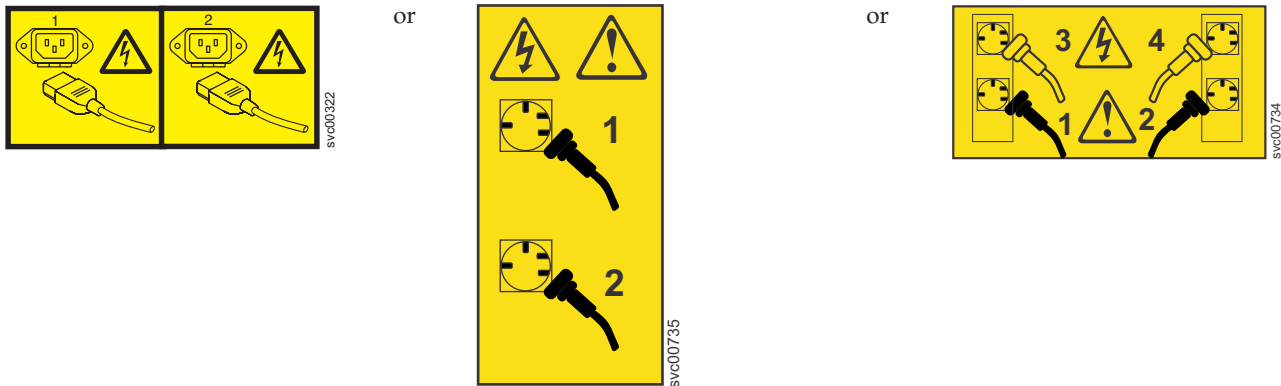
Removing a SAN Volume Controller 2145-CG8 or 2145-CF8 power supply

You can remove and replace either of the two 675-watt hot-swap redundant power supplies in the SAN Volume Controller 2145-CG8 or 2145-CF8. These redundant power supplies operate in parallel, one continuing to power the node if the other fails.

Before you begin

DANGER

Multiple power cords. The product might be equipped with multiple power cords. To remove all hazardous voltages, disconnect all power cords. (L003)



Ensure that you are aware of the procedures for handling static-sensitive devices before you remove the power supply.

About this task

This service action requires you to:

- Optionally, turn the node off.
- Disconnect the power cable on each power supply that you are removing.

Important: You can hot swap the power supply. However, using MAP 5350 to power off the node through proven methods avoids risking an abrupt power failure on the node, which avoids the possible corruption of data.

To remove the SAN Volume Controller 2145-CG8 or 2145-CF8 power supply, perform the following steps:

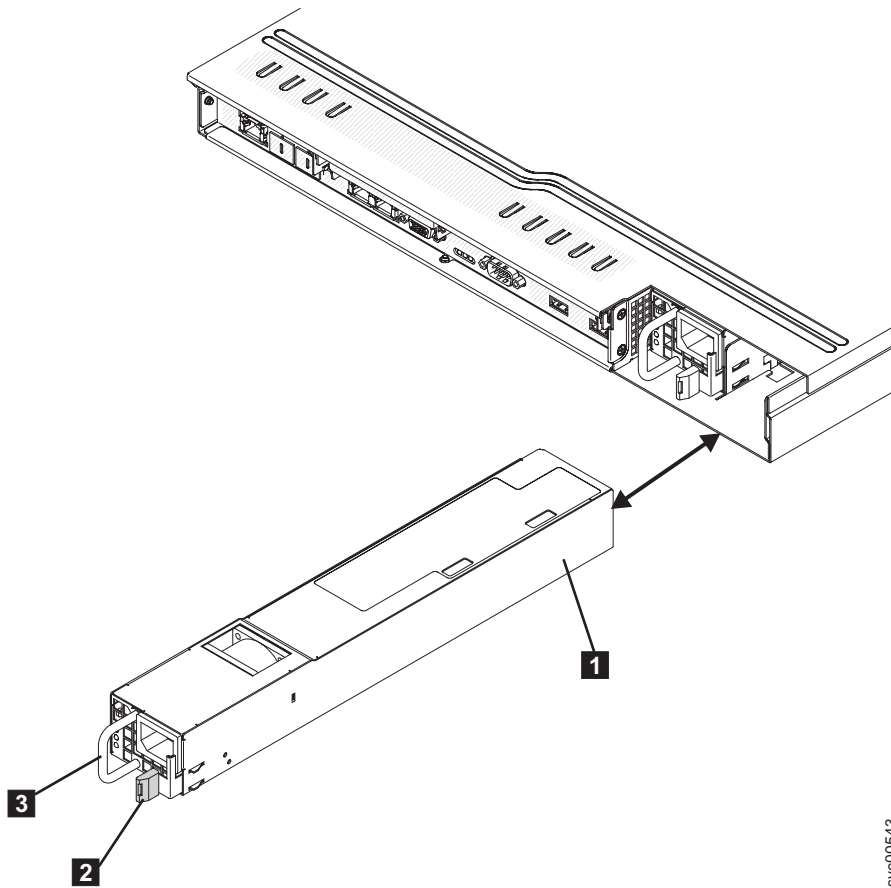
Procedure

1. Read the safety information to which “Preparing to remove and replace parts” on page 26 refers.
2. Optional: Follow the procedure in MAP 5350 in the *IBM System Storage SAN Volume Controller Troubleshooting Guide* to verify that the node data is mirrored and synchronized, and that there are no dependent volumes before turning off the node.

Important: If you decide to hot swap the power supply, use MAP 5350 to make all of the necessary checks that ensure that the partner node in the I/O group can take over all I/O group operations, if necessary, and that there are no dependent VDisks on the node. With the partner node available and no dependent VDisks on the node, you do not lose access to data if this node accidentally powers off.

3. Pull back the cable-management arm if you are working from the rear of the rack, or slide the node out of the rack to the fully extended rail position if you are working from the front.
4. Remove the cable-retention bracket and the power cord from the power supply that you are replacing, as described in “Removing the SAN Volume Controller 2145-CG8 or 2145-CF8 cable-retention brackets” on page 34.
5. To remove the power supply, press and hold the release tab **2** to the left. Grasp the handle **3** on the rear of the power supply, as shown in Figure 146 on page 163, and pull the power supply out of

the node.



svc00543

Figure 146. SAN Volume Controller 2145-CG8 or 2145-CF8 power supply

- 1 Power supply
- 2 Power-supply release tab
- 3 Power-supply handle

6. If you are instructed to return the power supply, follow all packaging instructions, and use any packaging materials for shipping that are supplied to you.

Removing a SAN Volume Controller 2145-8A4 power supply

This topic describes how to remove a SAN Volume Controller 2145-8G4 power supply.

Before you begin

Take precautions to avoid damage from static electricity. Wear an anti-static wrist strap and use a static-protected mat or surface. For more information, see “Handling static-sensitive devices” on page xxi.

About this task

To remove the power supply, perform the following steps:

Notes:

- The air deflector also functions as the backplane latch. In this procedure, you must lift the air deflector to access some of the cables.

- Notice the routing of all power-supply cables. You will route the power-supply cables the same way when you install the power supply.

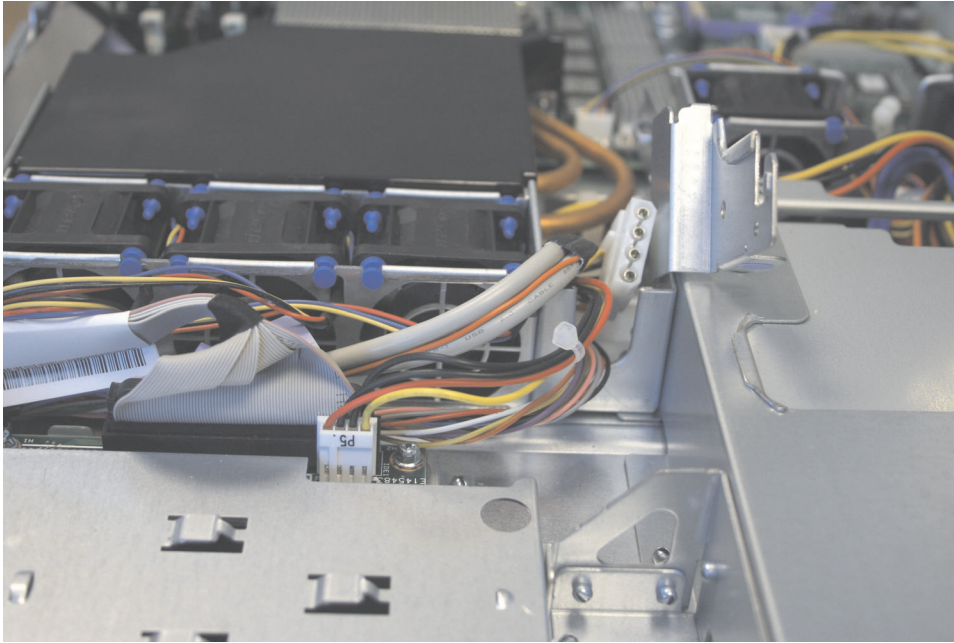
Procedure

1. Read the safety precautions in “Safety and environmental notices” on page xiii.
2. Turn off the node while ensuring that its data is mirrored and synchronized. See MAP 5350 in the *IBM System Storage SAN Volume Controller Troubleshooting Guide* for more information.
3. Remove the cable-retention bracket and disconnect the power cable from the node. See “Removing the cable-retention bracket” on page 34.
4. Remove the node from the rack and place it on a flat, static-protective surface. See “Removing the SAN Volume Controller from a rack” on page 47.
5. Remove the top cover. See “Removing the top cover” on page 80.
6. Remove the SATA backplane far enough to disconnect the two power cables from it. See “Removing the disk-drive backplane” on page 130.
7. Disconnect the power-supply cables from the 24 PIN POWER connector **1** and the POWER connector **2** on the system board, as shown in Figure 147.



Figure 147. SATA connectors on the SAN Volume Controller 2145-8A4 system board

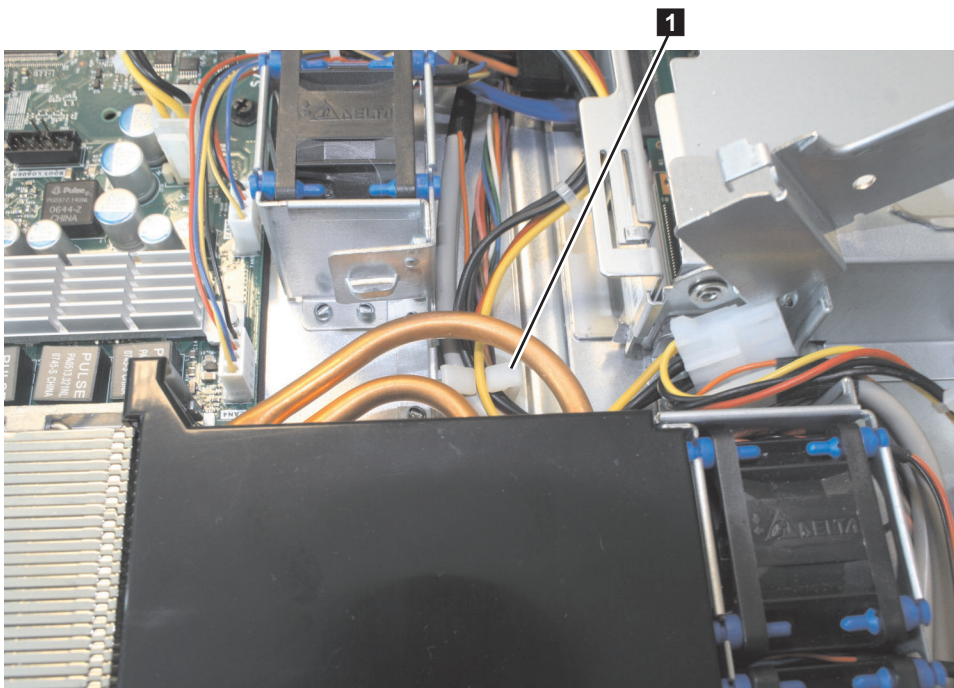
8. Disconnect the power cable, connector P5, which is shown in Figure 148 on page 165, from the CD/DVD interface card.



svc00483

Figure 148. Power P5 connector on the SAN Volume Controller 2145-8A4 power supply

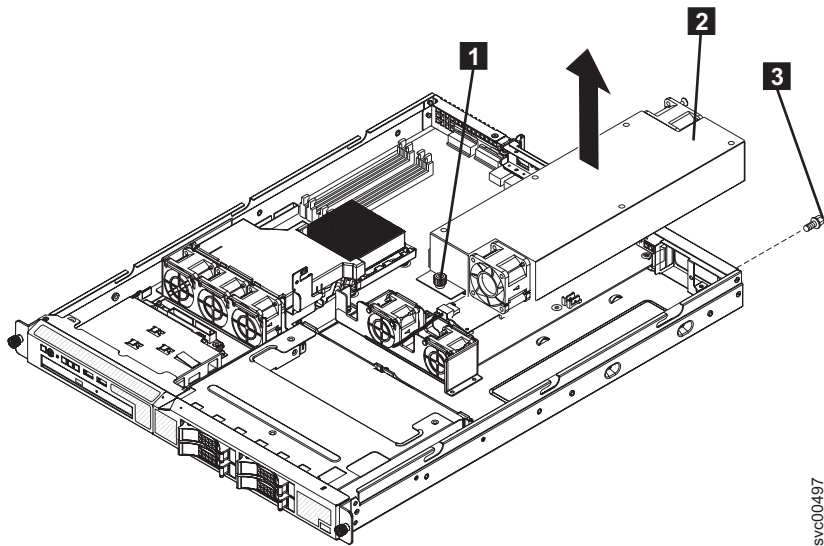
9. Disengage the power cable, which terminates in connector P5, from the retention-clip **1**, which is shown in Figure 149.



svc00486

Figure 149. The retention clip for the SAN Volume Controller 2145-8A4 power-supply cables

10. Remove the screw **3**, shown in Figure 150 on page 166, that holds the power supply to the rear of the chassis.



svc00497

Figure 150. The SAN Volume Controller 2145-8A4 power-supply

11. Loosen the captive thumbscrew **1** that secures the rear of the power supply to the chassis bottom.
12. Lift the power supply **2** out of the bay.

Removing a SAN Volume Controller 2145-8G4 power supply

This topic describes how to remove a SAN Volume Controller 2145-8G4 power supply.

Before you begin

Ensure that you are aware of the procedures for handling static-sensitive devices before you remove the SAN Volume Controller 2145-8G4 power supply.

About this task

Perform the following steps to remove the power supply:

Procedure

1. Turn off the node while ensuring that its data is mirrored and synchronized. See MAP 5350 in the *IBM System Storage SAN Volume Controller Troubleshooting Guide* for more information.
2. At the back of the node, remove the cable restraint bracket to gain access to the rear of the node and the power supply **1**.
3. Press and hold down the orange release tab **2**, which is shown in Figure 151 on page 167, and pull the power supply out of the node.

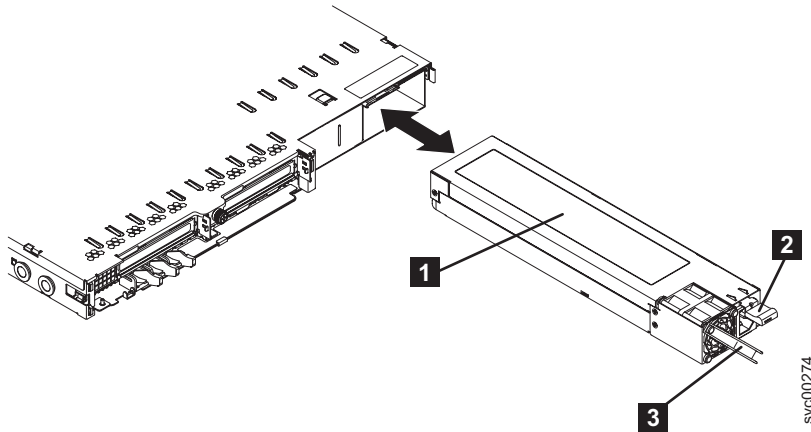


Figure 151. SAN Volume Controller 2145-8G4 power supply

- 1** Power supply
- 2** Power supply release tab
- 3** Power supply handle

Removing a SAN Volume Controller 2145-8F2 or SAN Volume Controller 2145-8F4 power supply

Before you begin

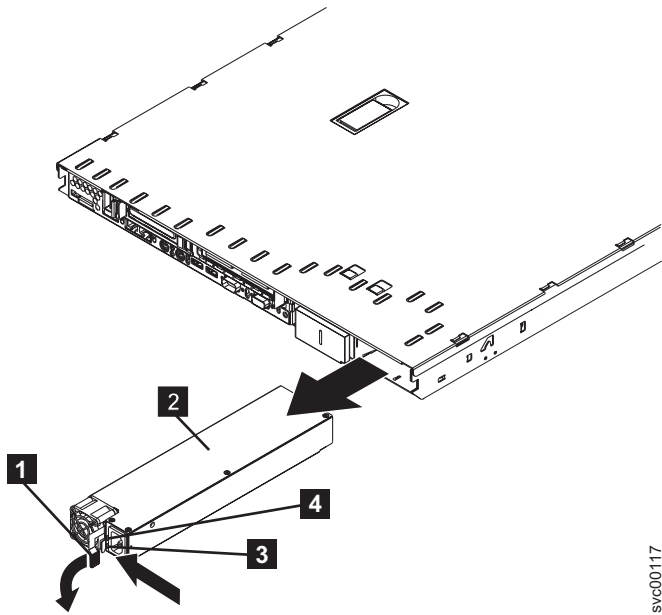
Ensure that you are aware of the procedures for handling static-sensitive devices before you remove the SAN Volume Controller 2145-8F2 or SAN Volume Controller 2145-8F4 power supply.

About this task

Perform the following steps to remove the power supply:

Procedure

1. Turn off the node while ensuring that its data is mirrored and synchronized. See MAP 5350 in the *IBM System Storage SAN Volume Controller Troubleshooting Guide* for more information.
2. Turn off the 2145 UPS-1U that is supplying this node.
3. Remove the SAN Volume Controller 2145-8F4 cable retention bracket.
4. From the rear of the node, as shown in Figure 152 on page 168, push the orange release lever to the left and then push down on it to release the power-supply assembly. This will move the power supply back, slightly, for easy removal.



svc00117

Figure 152. Removing the SAN Volume Controller 2145-8F2 power supply

- 1** Handle
- 2** Power supply
- 3** dc power LED
- 4** ac power LED

5. Pull the power supply out of the power-supply bay.

Replacing the power supply

You might need to replace the SAN Volume Controller power supply for a service action.

Before you begin

Note: For a translation of the following notice, see *IBM System Storage SAN Volume Controller Safety Notices*.

DANGER

When working on or around the system, observe the following precautions:

Electrical voltage and current from power, telephone, and communication cables are hazardous. To avoid a shock hazard:

- Connect power to this unit only with the IBM provided power cord. Do not use the IBM provided power cord for any other product.
- Do not open or service any power supply assembly.
- Do not connect or disconnect any cables or perform installation, maintenance, or reconfiguration of this product during an electrical storm.
- The product might be equipped with multiple power cords. To remove all hazardous voltages, disconnect all power cords.
- Connect all power cords to a properly wired and grounded electrical outlet. Ensure that the outlet supplies proper voltage and phase rotation according to the system rating plate.
- Connect any equipment that will be attached to this product to properly wired outlets.
- When possible, use one hand only to connect or disconnect signal cables.
- Never turn on any equipment when there is evidence of fire, water, or structural damage.
- Disconnect the attached power cords, telecommunications systems, networks, and modems before you open the device covers, unless instructed otherwise in the installation and configuration procedures.
- Connect and disconnect cables as described in the following procedures when installing, moving, or opening covers on this product or attached devices.

To disconnect:

1. Turn off everything (unless instructed otherwise).
2. Remove the power cords from the outlets.
3. Remove the signal cables from the connectors.
4. Remove all cables from the devices.

To connect:

1. Turn off everything (unless instructed otherwise).
 2. Attach all cables to the devices.
 3. Attach the signal cables to the connectors.
 4. Attach the power cords to the outlets.
 5. Turn on the devices.
- Sharp edges, corners and joints may be present in and around the system. Use care when handling equipment to avoid cuts, scrapes and pinching.

(D005)

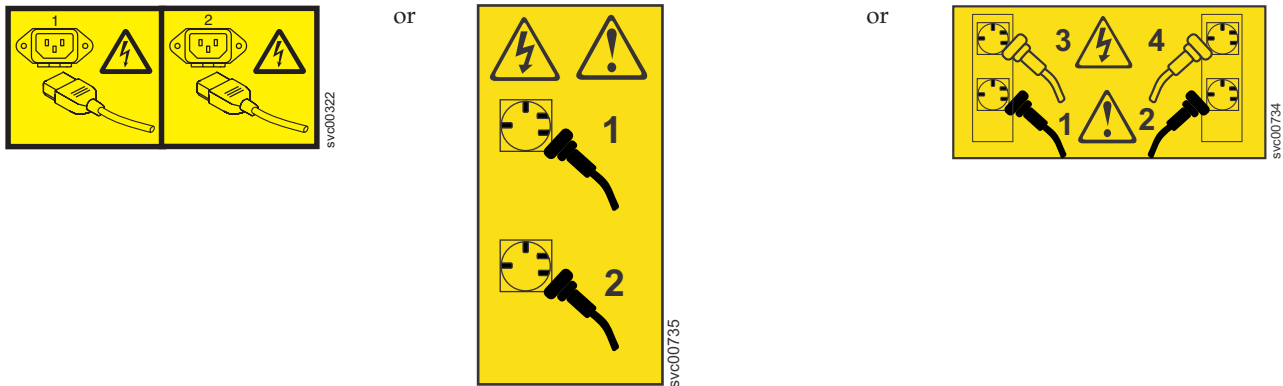
Replacing a SAN Volume Controller 2145-CG8 or 2145-CF8 power supply

You can replace either of the two 675-watt hot-swap redundant power supplies in the SAN Volume Controller 2145-CG8 or 2145-CF8 node. These redundant power supplies operate in parallel, one continuing to power the node if the other fails.

Before you begin

DANGER

Multiple power cords. The product might be equipped with multiple power cords. To remove all hazardous voltages, disconnect all power cords. (L003)



Ensure that you are aware of the procedures for handling static-sensitive devices before you replace the power supply.

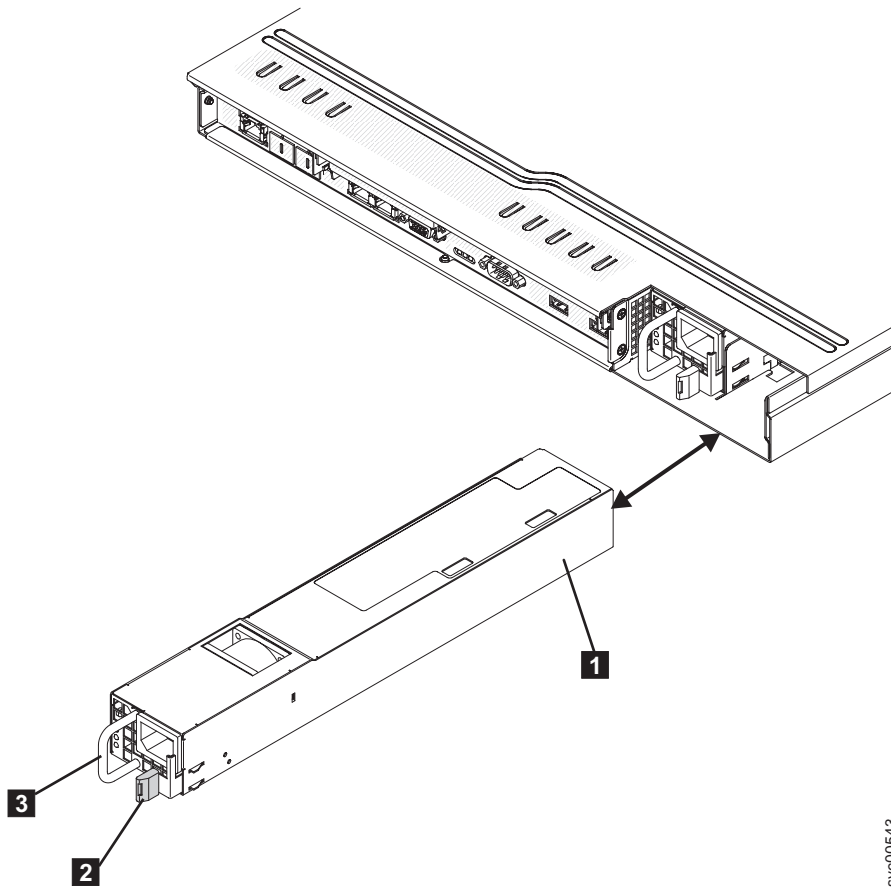
About this task

Important: You can hot swap the power supply. However, using MAP 5350 to power off the node through proven methods avoids risking an abrupt power failure on the node, which avoids the possible corruption of data. This procedure assumes that you have turned off the node using MAP 5350, or that if you did not turn off the node, you used MAP 5350 to ensure that the data is mirrored and synchronized, and that there are no dependent virtual disks (VDisks). See MAP 5350 in the *IBM System Storage SAN Volume Controller Troubleshooting Guide*.

To replace the SAN Volume Controller 2145-CG8 or 2145-CF8 power supply, perform the following steps:

Procedure

1. Read the safety information to which “Preparing to remove and replace parts” on page 26 refers.
2. Grasp the handle on the rear of the power supply, as shown in Figure 153 on page 171, and slide the power supply forward fully into the node until it clicks in place. Verify that the power supply connects firmly into the power-supply connector.



svc00543

Figure 153. SAN Volume Controller 2145-CG8 or 2145-CF8 power supply

- 1** Power supply
- 2** Power-supply release tab
- 3** Power-supply handle

3. Attach the cable-retention bracket to the power cord from the 2145 UPS-1U and connect the cord to the power-cord connector on the power supply, as described in “Replacing the SAN Volume Controller 2145-CG8 or 2145-CF8 cable-retention brackets” on page 40.
4. If necessary, turn on the node.
5. To the left of the power-cord connector on each power supply, verify that the ac power LED, as shown by **1** in Figure 154 on page 172, and the dc power LED (**2**) are lit.

The green power LEDs indicate that the power supply is operating correctly. A power-supply error is indicated by the amber power-supply error LED (**3**).

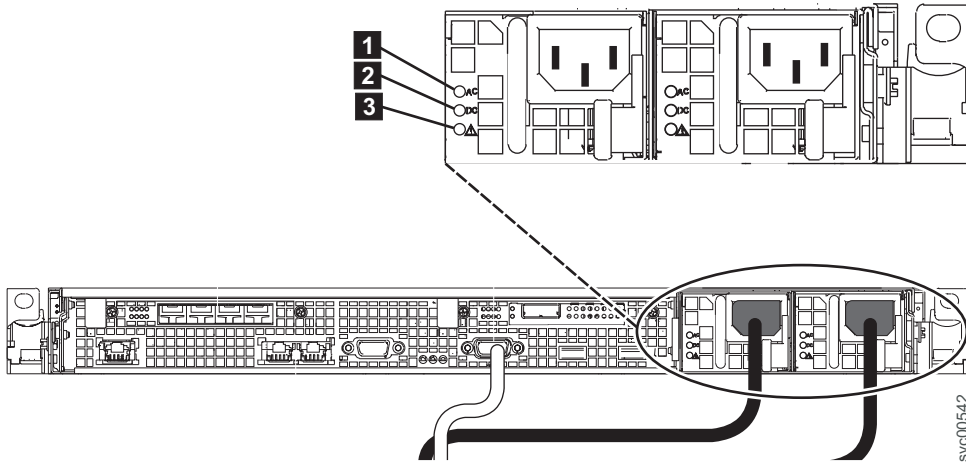


Figure 154. SAN Volume Controller 2145-CG8 or 2145-CF8 ac, dc, and power-error LEDs

Replacing a SAN Volume Controller 2145-8A4 power supply

Take precautions to avoid damage from static electricity. Wear an anti-static wrist strap and use a static-protected mat or surface. For more information, see “Handling static-sensitive devices” on page xxi.

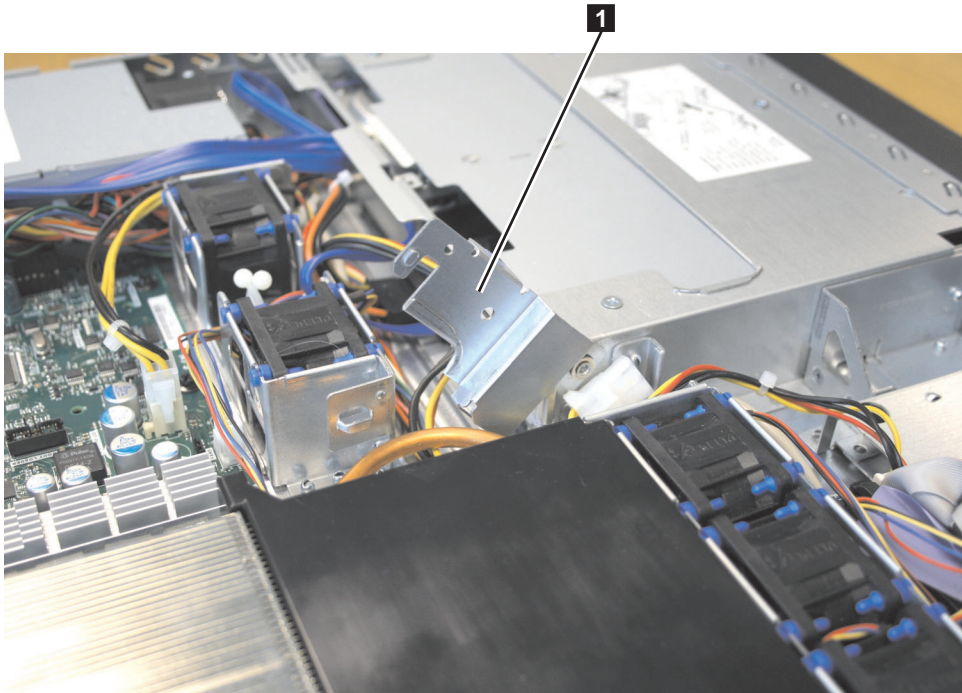
Before you begin

About this task

To replace the SAN Volume Controller 2145-8A4 power supply, perform the following steps:

Procedure

1. Place the new power supply into the bay.
2. Tighten the captive thumbscrew that secures the rear of the power supply to the chassis bottom.
3. Replace the screw that holds the power supply to the rear of the chassis.
4. Make sure that the air deflector **1** is in the open position, as shown in Figure 155 on page 173.



svc00485

Figure 155. Air deflector for the SAN Volume Controller 2145-8A4 power supply

5. There are two cables to connect to the system board, as shown in Figure 156. Connect the cable labeled P1 **1** to the position marked 24 PIN POWER CONN. Connect the cable labeled P6 **2** to the position marked POWER.



svc00484

Figure 156. SATA connectors on the SAN Volume Controller 2145-8A4 system board

6. Route the power-supply cable with the P5 connector to the CD/DVD interface card and secure it under the retention-clip **1**, as shown in Figure 157, on the chassis.

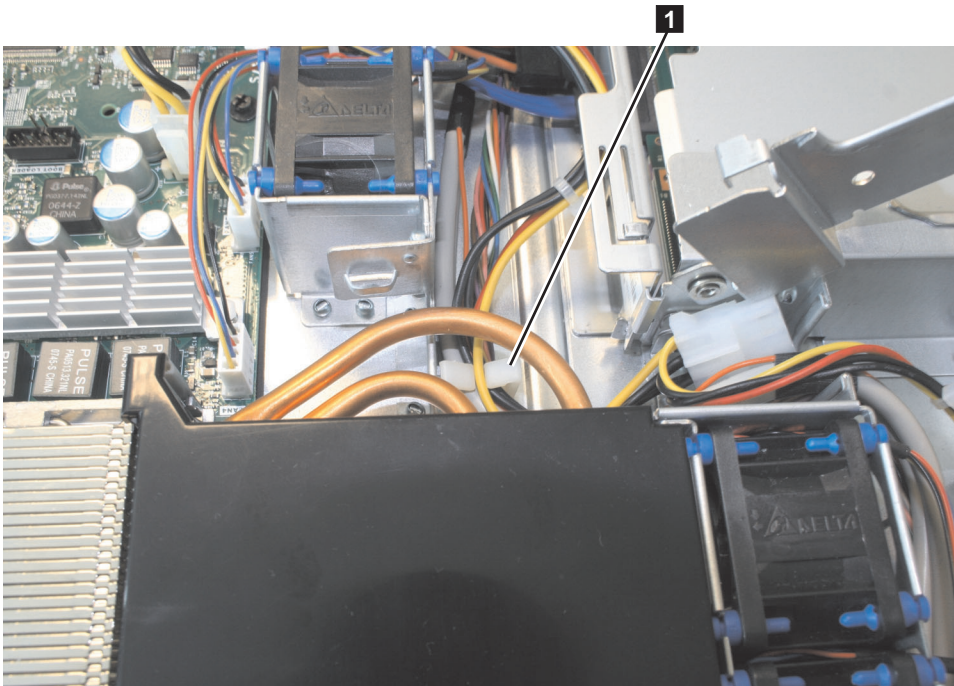


Figure 157. The retention clip for the SAN Volume Controller 2145-8A4 power-supply cables

7. Reconnect the cable to the CD/DVD interface card.
8. Connect the power connectors P2 and P3 to the SATA disk backplane and slide the backplane back into position.
9. Rotate the air deflector into place, making sure that no cables are pinched beneath it, and press it down firmly.
10. Test the power supply:
 - a. For testing on the bench, only connect the ac power cord from the connector on the back of the power supply to a properly grounded electrical outlet. If you are using the combined power/serial cable, do not connect the serial port.
 - b. Make sure that the standby power LED on the system board is lit. If the standby power LED is not lit, discontinue this procedure and obtain a new power supply.
 - c. Press the power-control button. Make sure that the power LED on the front of the node is lit.
 - If the node starts, it will go through the boot sequence and then stop and display boot code Failed 181. This is expected, because the uninterruptible power supply is not connected. Proceed to the next step.
 - If the node does not start, disconnect the ac power cord and contact the IBM Support Center.
 - d. Turn off the node using the power-control button and then disconnect the ac power cord.
11. Replace the top cover. See “Replacing the top cover” on page 85.
12. Place the node in the rack. See “Replacing the SAN Volume Controller in a rack” on page 58.
13. Reconnect the ac power cord into the connector on the back of the power supply, being sure to route the cable through the cable retention bracket in order to minimize mechanical strain on the cable.
14. Connect all external cables that you disconnected before you could remove the power supply.
15. Reconnect the power cord and turn on the 2145 UPS-1U.
16. Turn on the node.

17. Make sure that the power LED on the front of the node is lit.

Replacing a SAN Volume Controller 2145-8G4 power supply

This topic describes how to replace a SAN Volume Controller 2145-8G4 power supply.

Before you begin

Ensure that you are aware of the procedures for handling static-sensitive devices before you remove the power supply.

About this task

To replace the SAN Volume Controller 2145-8G4 power supply, perform the following steps:

Procedure

1. Grasp the handle on the rear of the power supply (shown in Figure 158) and slide the power supply forward fully into the node until it clicks in place.

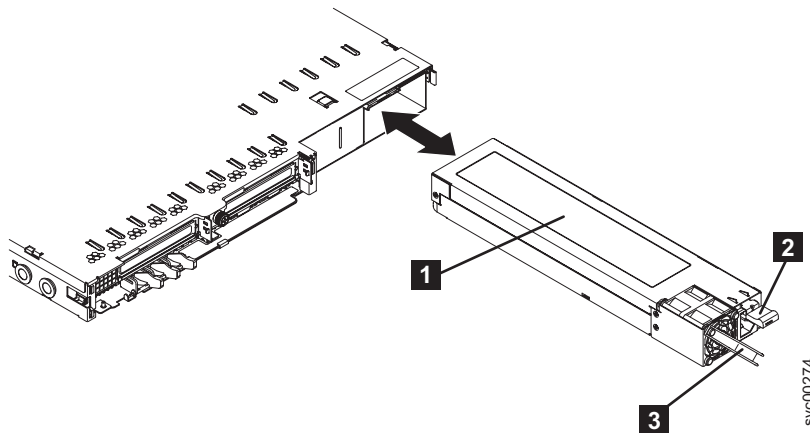


Figure 158. SAN Volume Controller 2145-8G4 power supply

- 1** Power supply
 - 2** Power supply release tab
 - 3** Power supply handle
2. Connect the power cord to the power-cord connector on the power supply, being sure to route the cord through the cable restraint bracket in order to minimize mechanical strain on the cord.
 3. Reconnect the power cord and turn on the 2145 UPS-1U.
 4. Make sure that the ac power LED **1** and the dc power LED **2** (shown in Figure 159 on page 176) on the power supply are lit, indicating that the power supply is operating correctly. The two green LEDs are next to the power-cord connector.

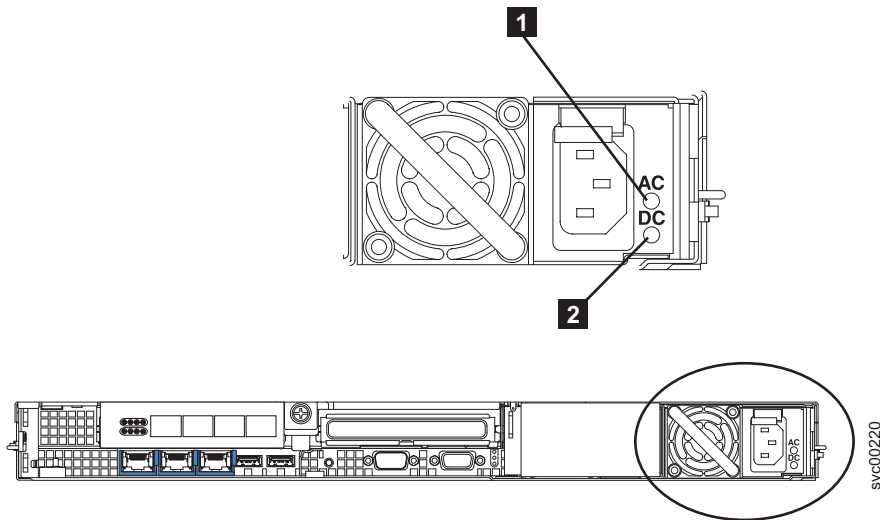


Figure 159. SAN Volume Controller 2145-8G4 ac and dc LEDs

5. Turn on the node.

Replacing the SAN Volume Controller 2145-8F4 or SAN Volume Controller 2145-8F2 power supply

Before you begin

Ensure that you are aware of the procedures for handling static-sensitive devices before you remove the power supply.

About this task

To replace the SAN Volume Controller 2145-8F4 or SAN Volume Controller 2145-8F2 power supply, perform the following steps:

Procedure

1. Install the power supply in the empty power supply bay:
 - a. Rotate the handle **1** down on the rear of the power supply to the open position, and then slide the power supply forward into the power-supply bay, as shown in Figure 160 on page 177.

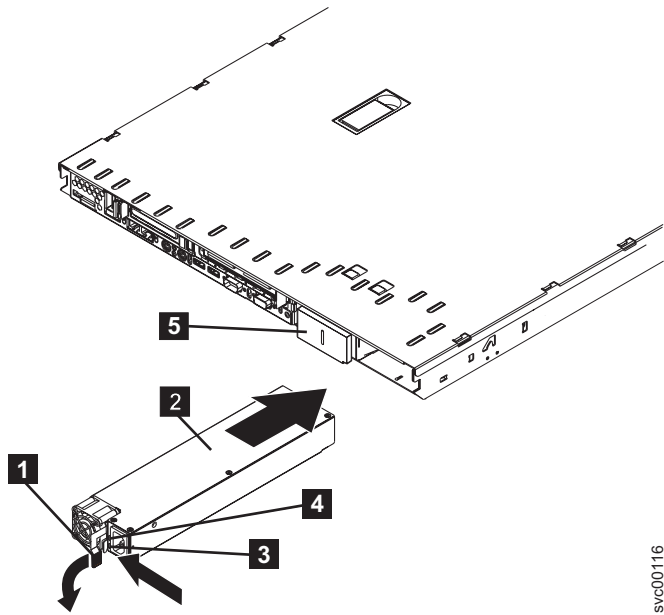


Figure 160. SAN Volume Controller 2145-8F2 power supply

- 1** Handle
- 2** Power supply
- 3** Dc power LED
- 4** Ac power LED

- b. Gently lift the handle up until it clicks. This signals that the power supply is securely seated in the bay.
2. Connect the power cord for the new power supply to the power-cord connector on the power supply.
3. Reconnect the power cord and turn on the 2145 UPS-1U.
4. Turn on the node.
5. Make sure that the power-supply fan starts and the ac power LED **1** and dc power LED **2** (shown in Figure 161 on page 178) on the power supply are lit, indicating that the power supply is operating correctly.

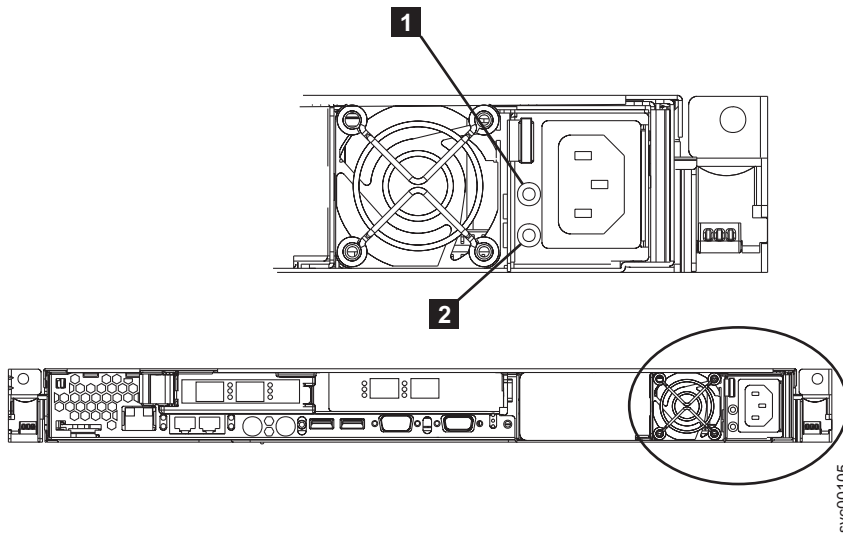


Figure 161. SAN Volume Controller 2145-8F2 or SAN Volume Controller 2145-8F4 ac and dc power LEDs

Removing the power backplane

The SAN Volume Controller power backplane might have to be removed.

Removing the SAN Volume Controller 2145-8G4 power backplane

This topic describes how to remove the SAN Volume Controller 2145-8G4 power backplane.

Before you begin

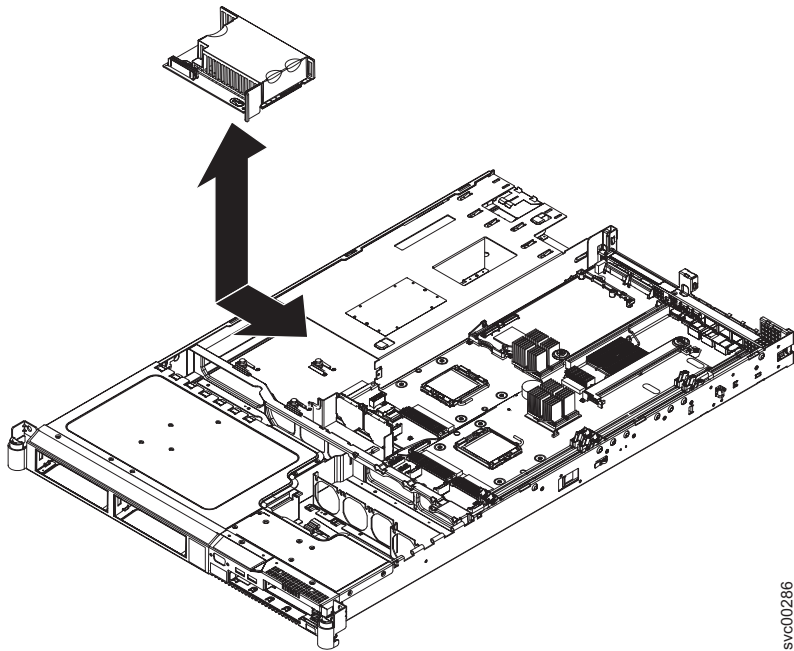
Take precautions to avoid damage from static electricity. Wear an anti-static wrist strap and use a static-protected mat or surface. For more information, see “Handling static-sensitive devices” on page xxi.

About this task

Perform the following steps to remove the power backplane:

Procedure

1. Turn off the node while ensuring that its data is mirrored and synchronized. See MAP 5350 in the *IBM System Storage SAN Volume Controller Troubleshooting Guide* for more information.
2. Remove the cable-retention bracket and disconnect the power cable from the node. See “Removing the cable-retention bracket” on page 34.
3. Remove the node from the rack and place it on a flat, static-protective surface. See “Removing the SAN Volume Controller from a rack” on page 47.
4. Remove the top cover. See “Removing the top cover” on page 80.
5. Disconnect the power supplies from the power-supply backplane, as shown in Figure 162 on page 179.



svr00286

Figure 162. SAN Volume Controller 2145-8G4 power backplane

6. Disconnect the cable connected to the power-supply backplane.
7. Slide the power-supply backplane to the left, disconnecting it from the system board.
8. Lift the power-supply backplane to remove it from the node.

Removing the SAN Volume Controller 2145-8F4 or SAN Volume Controller 2145-8F2 power backplane

The SAN Volume Controller 2145-8F4 or SAN Volume Controller 2145-8F2 power backplane might have to be replaced.

Before you begin

Take precautions to avoid damage from static electricity. Wear an anti-static wrist strap and use a static-protected mat or surface. For more information, see “Handling static-sensitive devices” on page xxi.

About this task

Perform the following steps to remove the power backplane:

Procedure

1. Turn off the node while ensuring that its data is mirrored and synchronized. See MAP 5350 in the *IBM System Storage SAN Volume Controller Troubleshooting Guide* for more information.
2. Remove the SAN Volume Controller 2145-8F4 cable retention bracket.
3. To make sure that you can replace all cables in the same ports from which they were removed, record the position of all Fibre Channel and Ethernet cables; then remove all cables from the back of the node.
4. Remove the node from the rack and place it on a flat, static-protective surface. See “Removing the SAN Volume Controller from a rack” on page 47.
5. Remove the top cover. See “Removing the top cover” on page 80.
6. Disconnect the power supply from the power backplane.

- Slide the power backplane to the left, as shown in Figure 163, and disconnect it from the system board.

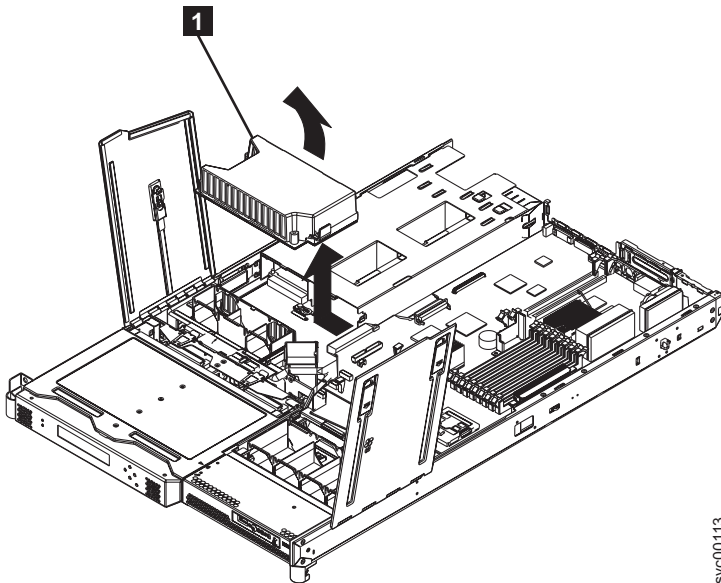


Figure 163. SAN Volume Controller 2145-8F4 or SAN Volume Controller 2145-8F2 power backplane

- Remove the power backplane from the node.

Replacing the power backplane

The power backplane might have to be replaced for a service action.

Replacing the SAN Volume Controller 2145-8G4 power backplane

This topic describes how to replace the SAN Volume Controller 2145-8G4 power backplane.

Before you begin

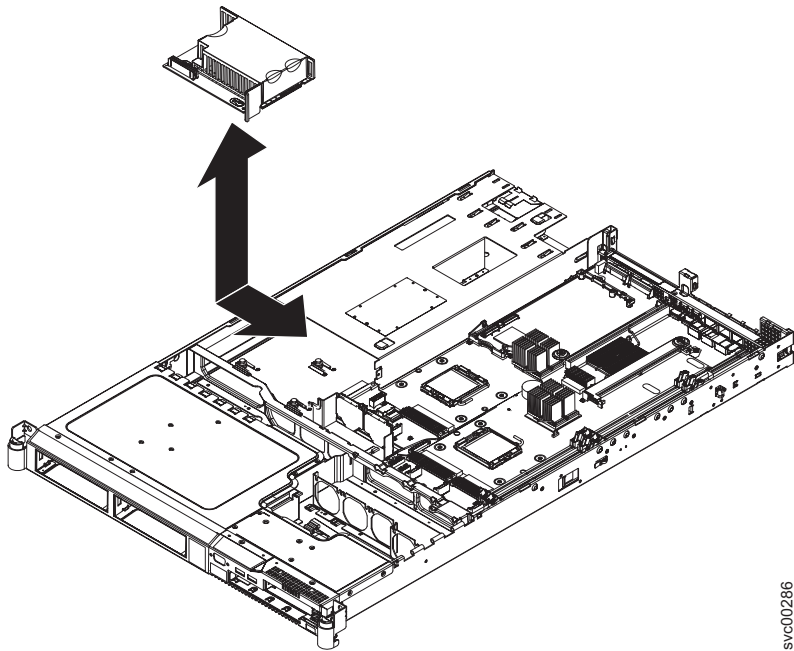
Take precautions to avoid damage from static electricity. Wear an anti-static wrist strap and use a static-protected mat or surface. For more information, see “Handling static-sensitive devices” on page xxi.

About this task

Perform the following steps to replace the power backplane:

Procedure

- Align the keyhole slots in the power-supply backplane with the mounting pins in the node.
- Slide the power-supply backplane toward the right side of the node until the edge-connectors are fully connected.
- Reconnect the cables to the power-supply backplane.
- Install the power supply into the power-supply bay as shown in Figure 164 on page 181.



svc00286

Figure 164. SAN Volume Controller 2145-8G4 power backplane

5. Replace the top cover. See “Replacing the top cover” on page 85.
6. Place the node in the rack. See “Replacing the SAN Volume Controller in a rack” on page 58.
7. Reconnect the Fibre Channel and Ethernet cables. Ensure that you replace the Fibre Channel and Ethernet cables in the same ports from which they were removed.
8. Turn on the node.

Replacing the SAN Volume Controller 2145-8F4 or SAN Volume Controller 2145-8F2 power backplane

The SAN Volume Controller 2145-8F4 or SAN Volume Controller 2145-8F2 power backplane might have to be replaced.

Before you begin

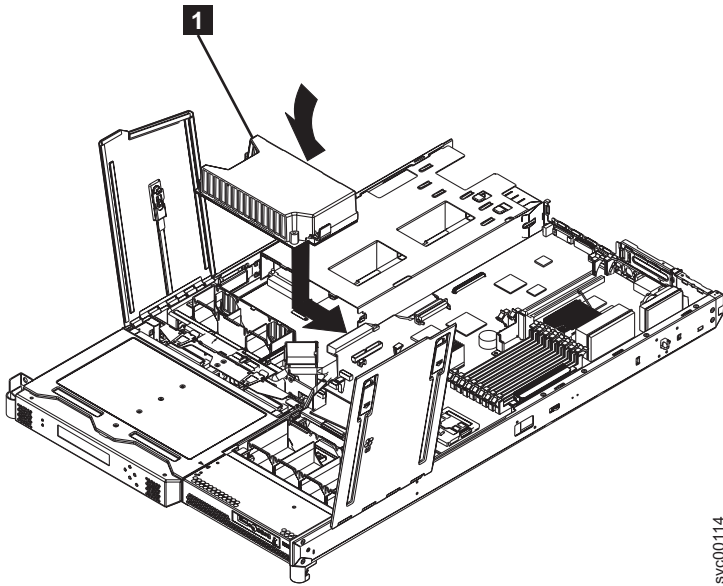
Take precautions to avoid damage from static electricity. Wear an anti-static wrist strap and use a static-protected mat or surface. For more information, see “Handling static-sensitive devices” on page xxi.

About this task

Perform the following steps to replace the power backplane:

Procedure

1. Lower the power backplane into position on the SAN Volume Controller 2145-8F4 or SAN Volume Controller 2145-8F2 and slide it to the right to connect it to the system board. See Figure 165 on page 182.



svc00114

Figure 165. Replacing the SAN Volume Controller 2145-8F4 or SAN Volume Controller 2145-8F2 power backplane

2. Connect the power supply to the power backplane.
3. Replace the top cover. See “Replacing the top cover” on page 85.
4. Place the node in the rack. See “Replacing the SAN Volume Controller in a rack” on page 58.
5. Reconnect the Fibre Channel and Ethernet cables. Ensure that you replace the Fibre Channel and Ethernet cables in the same ports from which they were removed.
6. Turn on the node.

Removing and replacing the frame assembly

This topic describes how to replace the SAN Volume Controller 2145-8F2 and SAN Volume Controller 2145-8F4 frame assembly.

Before you begin

The SAN Volume Controller 2145-8F2 and SAN Volume Controller 2145-8F4 frame assembly must be replaced when the system board fails or when replacing other system board components does not isolate the error.

Note: If you are replacing the frame assembly after you replaced the service controller, you must ensure that the node can be added back to the cluster. Use the following choices, which are based on the actions that you must take or have already taken, to determine how the node can be added back to the cluster:

- If you are replacing the node because the new service controller did not fix the original problem and you could not update the WWNN of the service controller, use the original service controller when you perform the frame replacement. This ensures that the WWNN is correct.
- If you have already made any required updates to the worldwide node name (WWNN) and the updates are stored in the service controller, continue with the following instructions to replace the frame assembly.
- If you must use a new service controller when you replace the frame assembly, use the following instructions to replace the frame assembly and make sure that you follow the special instructions in step 11 on page 183.

About this task

Perform the following steps to replace the frame assembly:

Procedure

1. Write down the 7-character serial number from the serial number label that is on the front of the node.
For the SAN Volume Controller 2145-8F2 and SAN Volume Controller 2145-8F4 models only: If you cannot read the serial number or if you want to verify that it is correct, you can also find it on the node vital product data (VPD).
Perform the following steps to find the serial number in the VPD:
 - a. Start the management GUI application.
 - b. Display the VPD for the failed node.
 - c. Note the system serial number.
2. Turn off the node while ensuring that its data is mirrored and synchronized. See MAP 5350 in the *IBM System Storage SAN Volume Controller Troubleshooting Guide* for more information.
3. Remove the node from the rack and place it on a flat, static-protective surface. See "Removing the SAN Volume Controller from a rack" on page 47.
4. Remove the top cover. See "Removing the top cover" on page 80.
5. Remove the Fibre Channel adapter cards from the frame assembly that you are replacing.
6. Remove the service controller from the frame assembly you are replacing.
7. Install the Fibre Channel adapter cards into the new frame assembly.
8. Install the service controller into the new frame assembly.
9. Replace the top cover. See "Replacing the top cover" on page 85.
10. Place the node in the rack. See "Replacing the SAN Volume Controller in a rack" on page 58.
11. Start the node using the node rescue procedure.

Note: If you have to install a new service controller in the frame assembly, you must perform the next steps to allow the node rescue to find a suitable donor node.

- a. Turn on the node. Use your SAN monitoring tools to determine the WWNN of the node.
- b. Rezone the switch to allow at least one port of the replaced node to connect to at least one port of an existing node.
- c. Perform a node rescue.
- d. Set the WWNN of the replacement node to match the node that it replaced. See "Node WWNN" in the *IBM System Storage SAN Volume Controller Troubleshooting Guide* for more information.
- e. Rezone the switch to its original settings.
- f. Add the node back into the cluster.
- g. Clearly label the original service controller to indicate that its WWNN has been re-used, and that the part cannot be used without first changing the WWNN.

Attention: It is essential that you perform all the stages of the next step to ensure that the replacement system is set to the serial number of the original machine.

12. If you are performing this repair as part of a fix procedure, you will be prompted to type the machine serial number that you noted above. Otherwise, perform the following steps:
 - a. Delete the failed node from the cluster.
 - b. Add the repaired node to the cluster.
 - c. Start the command-line interface (CLI).
 - d. Issue the following command:

```
writesernum -sernum nodeserialnumber nodename
```

where *nodeserialnumber* is the number that you noted previously and *nodename* is the name of the repaired node that you added in this step.

For example, to write the machine serial number to the system board when the serial number is "13-FEDCB" and the node name is "ZYXW3," you would issue the following command:

```
writeserenum -sernum 13FEDCB ZYXW3
```

Note: The node will restart as soon as the serial number has been written to it.

- e. Write the serial number that you noted previously on the blank serial number label on the front of the node.

Removing and replacing the Fibre Channel SFP transceiver on a SAN Volume Controller node

When a failure occurs on a single Fibre Channel link, the SFP transceiver might need to be replaced.

Before you begin

The SFP transceiver is designed to be hot-plugged, so that you do not need to power off the SAN Volume Controller node.

CAUTION:

Some laser products contain an embedded Class 3A or Class 3B laser diode. Note the following information: laser radiation when open. Do not stare into the beam, do not view directly with optical instruments, and avoid direct exposure to the beam. (C030)

About this task

Perform the following steps to remove and then replace the SFP transceiver:

Procedure

1. Carefully determine the failing physical port connection. See the *IBM System Storage SAN Volume Controller Troubleshooting Guide* for illustrations of the Fibre Channel port locations.

Important: SAN Volume Controller nodes are now supported with both long-wave SFP transceivers and short-wave SFP transceivers. A long-wave SFP transceiver has some blue components that are visible even when the SFP transceiver is plugged in. You must replace an SFP transceiver with the same type of SFP transceiver that you are replacing. If the SFP transceiver to replace is a long wave SFP transceiver, for example, you must provide a suitable replacement. Removing the wrong SFP transceiver could result in loss of data access.

2. Remove the Fibre Channel cable by pressing the release tab and pulling the cable out. Be careful to exert pressure only on the connector and do not pull on the Fibre Channel cables.
3. Remove the SFP transceiver. There are a number of different handling or locking mechanisms that are used on the SFP transceivers. Table 26 describes the usual type of mechanisms that are found on a SAN Volume Controller model. It is possible, however, that the installed SFP transceivers have a different mechanism than is indicated.

Table 26. Instructions for removing the SFP transceiver

SAN Volume Controller model	Removal instructions
SAN Volume Controller models 2145-CG8, 2145-CF8, 2145-8A4, 2145-8G4, and 2145-8F4	Locate the release handle that is incorporated into the SFP transceiver, unclip the handle, and then use the handle to pull out the SFP transceiver.
SAN Volume Controller 2145-8F2	Locate the small black locking tag on the bottom of the SFP transceiver, push it back, and then pull out the SFP transceiver.

Table 26. Instructions for removing the SFP transceiver (continued)

Note: Other SFP transceivers might have a plastic tag. If so, pull the tag to remove the SFP transceiver.

Important: The customer might be using a non-standard SFP transceiver. If so, the customer should alert you as to the SFP transceiver to use, and provide the SFP transceiver to you. Always check that the SFP transceiver that you replace matches the SFP transceiver that you remove.

4. Push the new SFP transceiver into the aperture and ensure it is securely pushed home. The SFP transceiver usually locks into place without having to swing the release handle until it locks flush with the SFP transceiver. Figure 166 illustrates an SFP transceiver and its release handle.

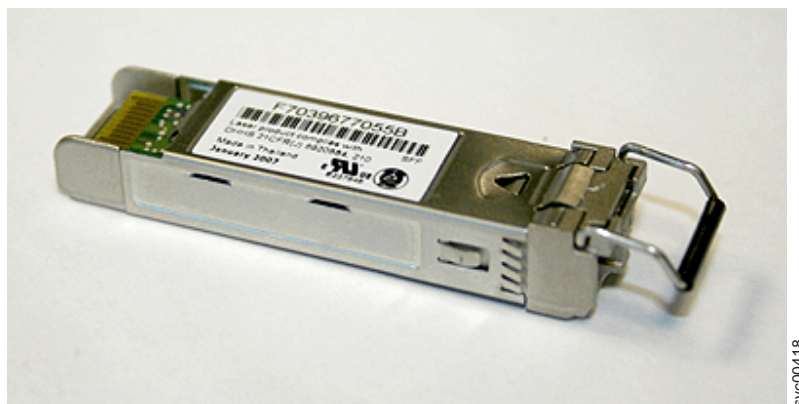


Figure 166. SFP transceiver

5. Reconnect the Fibre Channel cable.
6. Confirm that the error is now fixed. Check the Fibre Channel port status using the front-panel display. If possible, check the status given by the SAN monitoring tools of the customer. Either mark the error as fixed or restart the node depending on the failure indication that you originally noted.

Removing the Fibre Channel adapter assembly

Use the information in this topic when you need to remove a Fibre Channel adapter or Fibre Channel adapter assemblies.

Before you begin

Take precautions to avoid damage from static electricity. Wear an anti-static wrist strap and use a static-protected mat or surface. For more information, see “Handling static-sensitive devices” on page xxi.

Removing the SAN Volume Controller 2145-CG8 or 2145-CF8 Fibre Channel adapter assembly

To remove the SAN Volume Controller 2145-CG8 or 2145-CF8 Fibre Channel adapter assembly, perform the following steps:

Before you begin

DANGER

Multiple power cords. The product might be equipped with multiple power cords. To remove all hazardous voltages, disconnect all power cords. (L003)

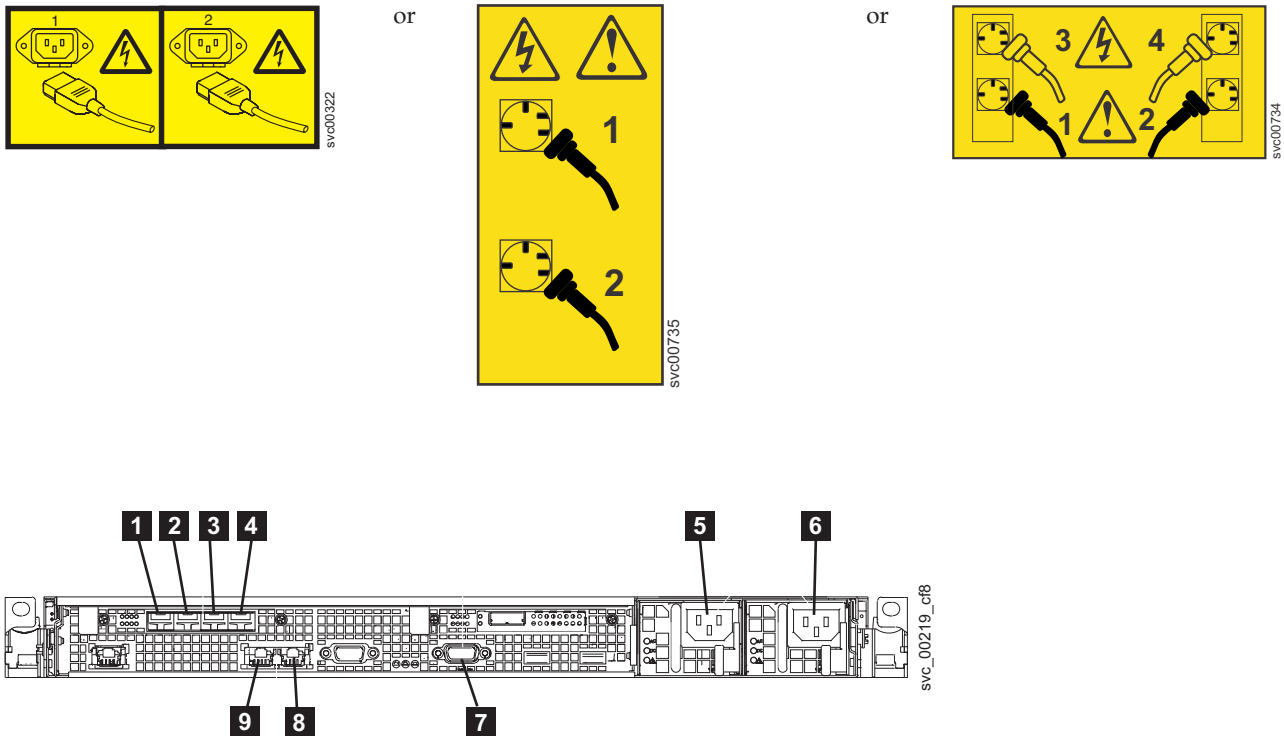


Figure 167. Connectors on the rear of the SAN Volume Controller 2145-CG8 or 2145-CF8

- 1** Fibre Channel port 1
- 2** Fibre Channel port 2
- 3** Fibre Channel port 3
- 4** Fibre Channel port 4
- 5** Ethernet port 3 (10Gbps)
- 6** Ethernet port 4.(10Gbps)
- 7** Power connector 1
- 8** Power connector 2
- 9** Serial port for Uninterruptible power supply communications (RS232)
- 10** Ethernet port 1 (1 Gbps)
- 11** Ethernet port 2 (1 Gbps)

About this task

This service action requires you to remove the cover and:

- Turn off the node.
- Disconnect the power cables.
- Disconnect the data cables.

To remove the SAN Volume Controller 2145-CG8 or 2145-CF8 Fibre Channel adapter assembly, perform the following steps:

Procedure

1. Read the safety information to which “Preparing to remove and replace parts” on page 26 refers.
2. Follow the procedure in MAP 5350 in the *IBM System Storage SAN Volume Controller Troubleshooting Guide* to verify that the node data is mirrored and synchronized, and that there are no dependent volumes before turning off the node.
3. Slide the node out on its slide rails to the fully extended position.
4. When the node is completely turned off, remove the cable-retention brackets and disconnect the power cables, as described in “Removing the cable-retention bracket” on page 34.
5. To make sure that you can replace all cables in the same ports from which they were removed, label the port position of each Fibre Channel and Ethernet cable; then remove all cables from the back of the node.
6. Optional: Remove the node from the rack and place it on a flat, static-protective surface. See “Removing the SAN Volume Controller from a rack” on page 47.

You can perform most service actions when the node is fully extended from the rack on its slide rails. If the location of the node in the rack is too high or too low to work comfortably, you can remove the node from the rack.

7. Remove the top cover. See “Removing the top cover” on page 80.
8. Remove all small form-factor pluggable (SFP) transceivers before removing the adapter, as described in “Removing and replacing the Fibre Channel SFP transceiver on a SAN Volume Controller node” on page 184.
9. Remove the two M3 screws that attach the adapter assembly to the back rail.

The Fibre Channel adapter assembly and the high-speed SAS adapter assembly each attach to the back rail with two screws. You can see a partial view of the rail with the Fibre Channel adapter assembly attached in Figure 168.

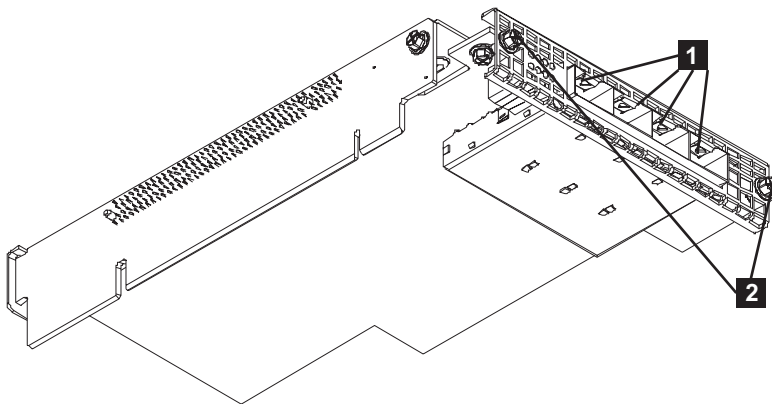


Figure 168. The SAN Volume Controller 2145-CG8 or 2145-CF8 Fibre Channel adapter

- 1** Fibre Channel ports 1 - 4
- 2** Back-rail retaining screws

10. After removing the back-rail retaining screws for the adapter assembly, grasp the riser-card assembly at either end and pull up and out of the slot 1 riser-card connector, as shown in Figure 169. Once the riser card clears the connector, gently twist the card assembly to separate the assembly from the node.

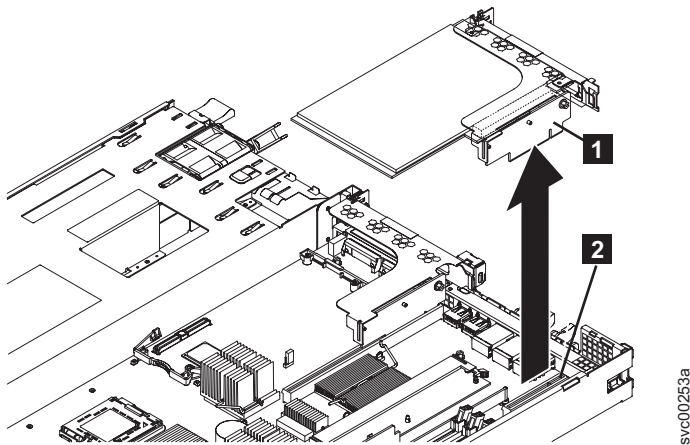


Figure 169. Removing the Fibre Channel riser-card assembly for the SAN Volume Controller 2145-CG8 or 2145-CF8

The Fibre Channel riser card assembly is in the slot 1 connector. Slot 1 is the left hand connector when looking from the back. The slot 2 connector may contain a riser card, or may contain one of the optional features.

11. Place the riser-card assembly on a flat, static-protective surface.
12. If you are instructed to return the Fibre Channel adapter assembly, follow all packaging instructions. Use any packaging materials for shipping that are supplied to you.

Removing the SAN Volume Controller 2145-8A4 Fibre Channel adapter assembly

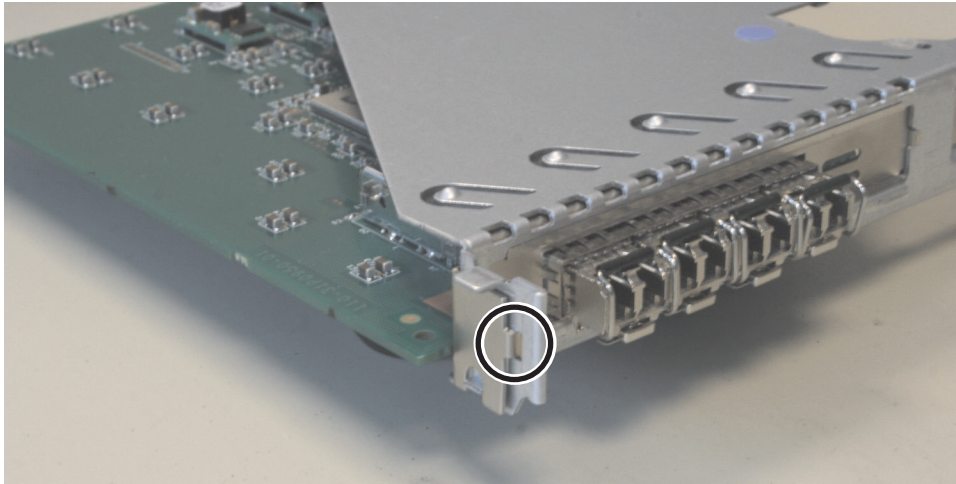
You need to remove the riser-card assembly from the SAN Volume Controller 2145-8A4 node and then remove the Fibre Channel adapter assembly from the riser-card assembly.

About this task

Perform the following steps to remove a Fibre Channel adapter assembly:

Procedure

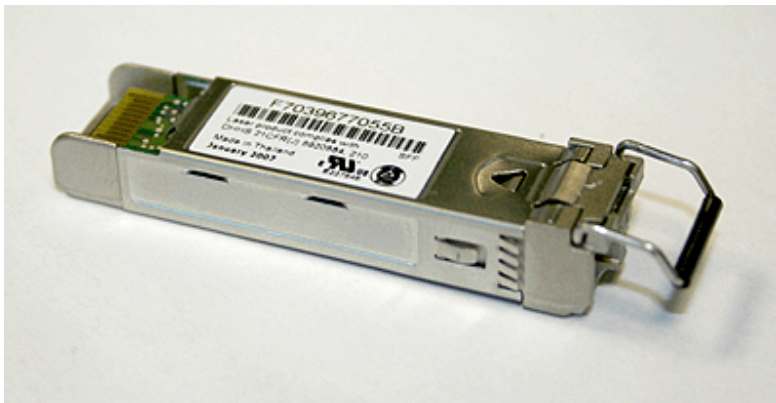
1. Turn off the node while ensuring that its data is mirrored and synchronized. See MAP 5350 in the *IBM System Storage SAN Volume Controller Troubleshooting Guide* for more information.
2. Remove the cable-retention bracket and disconnect the power cable from the node. See “Removing the cable-retention bracket” on page 34.
3. Remove the node from the rack and place it on a flat, static-protective surface. See “Removing the SAN Volume Controller from a rack” on page 47. Remove the node from the rack and place it on a flat, static-protective surface. See “Removing the SAN Volume Controller from a rack” on page 47.
4. Remove the top cover. See “Removing the top cover” on page 80.
5. Grasp the riser-card assembly at the front and rear edges and lift to remove it from the node. Place the riser-card assembly shown in Figure 170 on page 189 on a flat, static-protective surface.



svc00500

Figure 170. SAN Volume Controller 2145-8A4 riser-card assembly

6. Remove the four SFP transceivers from the adapter. To do this, unclip the release handle shown in Figure 171 and then use the handle to pull out each SFP transceiver.



svc00418

Figure 171. SFP transceiver

7. Slide the adapter straight back from the connector and out of the riser-card assembly. Do not try to slide the adapter at an angle.

Removing the SAN Volume Controller 2145-8G4 Fibre Channel adapter assembly

Perform the following steps to remove the SAN Volume Controller 2145-8G4 Fibre Channel adapter assembly:

Before you begin

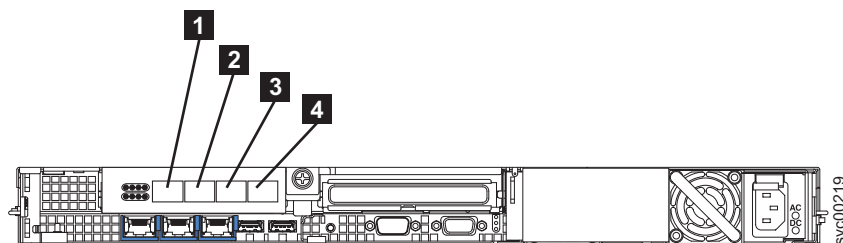


Figure 172. The physical port numbers for the SAN Volume Controller 2145-8G4

Procedure

1. Turn off the node while ensuring that its data is mirrored and synchronized. See MAP 5350 in the *IBM System Storage SAN Volume Controller Troubleshooting Guide* for more information.
Attention: When you install an adapter, make sure that the adapter is correctly seated in the connector before you turn on the server. An incorrectly seated adapter might cause damage to the system board, the riser-card assembly, or the adapter.
2. When the node is completely turned off, remove the main power cable-retention bracket and remove the power cable from the rear of the node.
3. After writing down their locations, remove all other cables from the node.
4. Remove the node from the rack and place it on a flat, static-protective surface. See “Removing the SAN Volume Controller from a rack” on page 47.
5. Remove the top cover. See “Removing the top cover” on page 80.
6. Grasp the riser-card assembly (2 in Figure 173) at the rear edge and lift to remove the riser-card assembly.

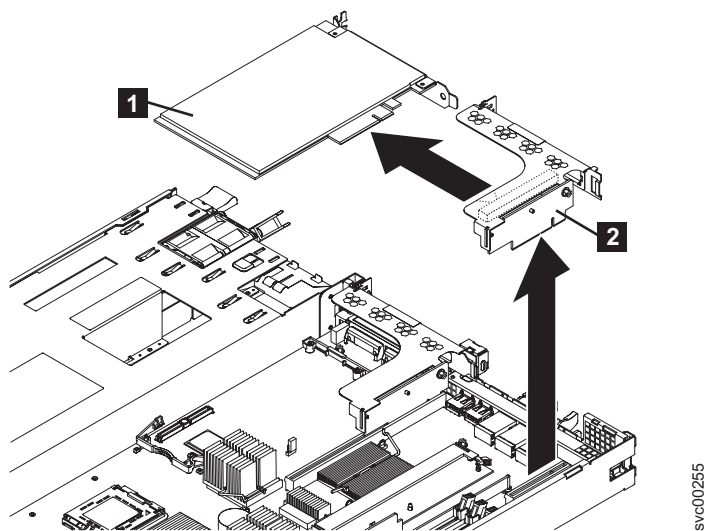


Figure 173. Removing the riser-card assembly from the SAN Volume Controller 2145-8G4

7. Place the riser-card assembly on a flat, static-protective surface.
8. Carefully grasp the adapter (1) by its top edge or upper corners, and pull the adapter from the riser-card assembly (2).

Removing the SAN Volume Controller 2145-8F4 or SAN Volume Controller 2145-8F2 adapter assemblies

The SAN Volume Controller 2145-8F2 contains two types of Fibre Channel adapters that are functionally identical but not interchangeable. The SAN Volume Controller 2145-8F4 contains a single 4-Port adapter in PCI slot 2.

Before you begin

Figure 174 shows the rear view of the SAN Volume Controller 2145-8F2 with the two Fibre Channel ports identified:

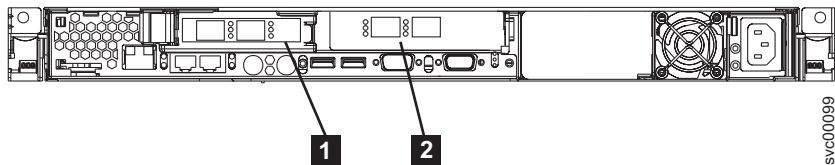


Figure 174. Rear view of the SAN Volume Controller 2145-8F2 with Fibre Channel ports indicated

- 1** PCI slot 1 - contains a dual port Fibre Channel host bus adapter (HBA) in a low profile
- 2** PCI slot 2 - contains a dual port Fibre Channel HBA at full height

Figure 175 shows the rear view of the SAN Volume Controller 2145-8F4 with the 4-port Fibre Channel HBA identified:

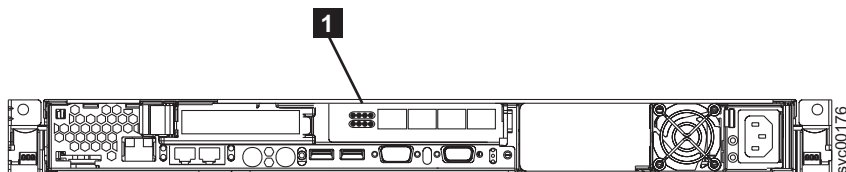


Figure 175. Rear view of the SAN Volume Controller 2145-8F4

- 1** PCI slot 2 - contains a 4-port Fibre Channel HBA

About this task

Perform the following steps to remove a Fibre Channel adapter assembly:

Procedure

1. Turn off the node while ensuring that its data is mirrored and synchronized. See MAP 5350 in the *IBM System Storage SAN Volume Controller Troubleshooting Guide* for more information.
2. Remove the node from the rack and place it on a flat, static-protective surface. See “Removing the SAN Volume Controller from a rack” on page 47.
3. Remove the top cover. See “Removing the top cover” on page 80.
4. Perform the following steps to remove the PCI card from PCI slot 1 (low profile):
 - a. Pull the blue PCI card retainer **1** from the rear of the node, shown in Figure 176 on page 192.

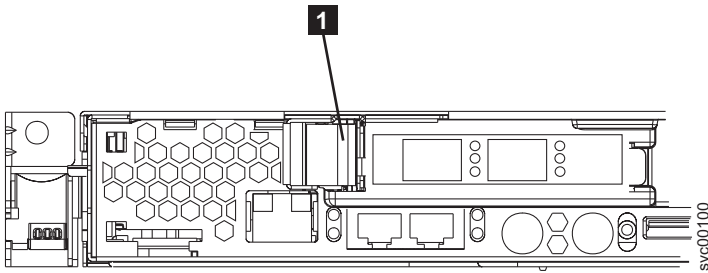


Figure 176. SAN Volume Controller 2145-8F2 or SAN Volume Controller 2145-8F4 PCI slot 1 card retainer

1 Slot 1 card retainer

- b. Hold the blue adapter support away from the card and pull it away from the edge connector on the riser card assembly, as shown in Figure 177.

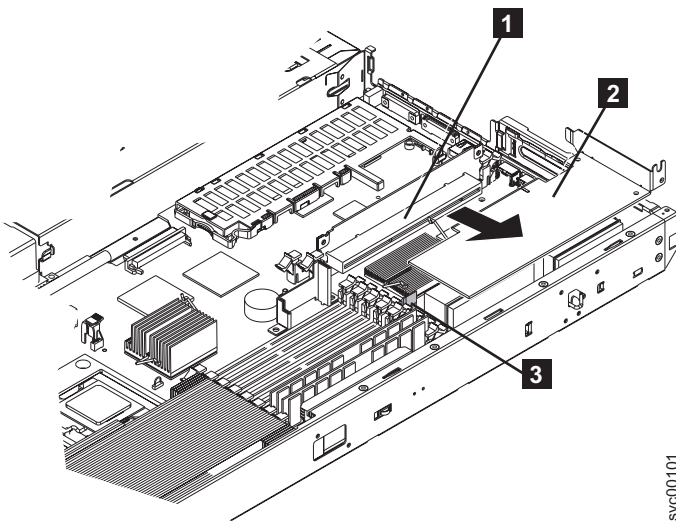


Figure 177. SAN Volume Controller 2145-8F2 riser card and low profile adapter

- 1** Riser card
- 2** Low-profile adapter
- 3** Low-profile adapter support

- 5. Perform the following steps to remove the PCI card from PCI slot 2:
 - a. Open the retaining clips on both sides of the slot 2 riser card (**2** in Figure 178 on page 193) by pushing the clips down and away from the riser card until the clips are no longer attached to the riser card.

Note: Insert your finger into the access hole on the slot 2 adapter cover to open the retention latch at the rear of the node.

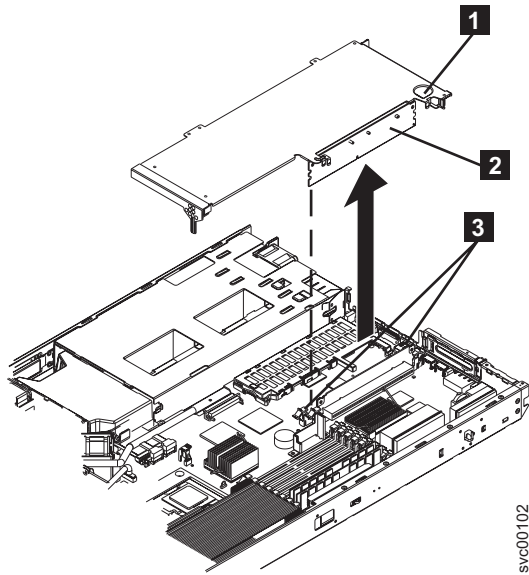


Figure 178. SAN Volume Controller 2145-8F2 or SAN Volume Controller 2145-8F4 slot 2 adapter

- 1** Access hole to retention latch
- 2** Riser card
- 3** Riser-card retention latches

- b. Unlatch the PCI slot 2 riser card **2** and pull it clear of the system-board edge connector.
- c. Lift the riser card clear of the frame and pull the Fibre Channel card from the riser-card edge connector.

Replacing the Fibre Channel adapter assembly

Use these instructions when you need to replace the adapter assemblies.

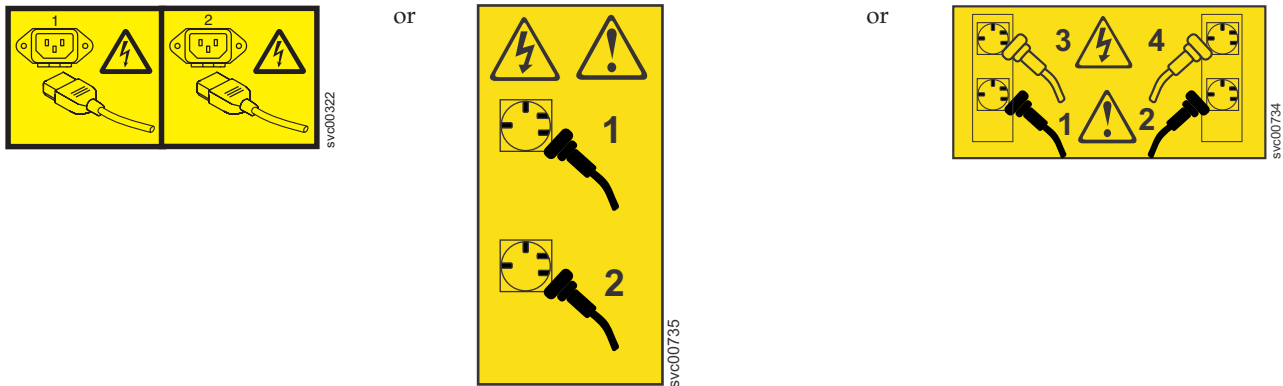
Replacing the SAN Volume Controller 2145-CG8 or 2145-CF8 Fibre Channel adapter assembly

Perform the following steps to replace the SAN Volume Controller 2145-CG8 or 2145-CF8 Fibre Channel adapter assembly:

Before you begin

DANGER

Multiple power cords. The product might be equipped with multiple power cords. To remove all hazardous voltages, disconnect all power cords. (L003)



Procedure

1. Remove all small form-factor pluggable (SFP) transceivers, as described in “Removing and replacing the Fibre Channel SFP transceiver on a SAN Volume Controller node” on page 184.
2. Grasp each end of the riser card, tilt the adapter card so that the side with the PCI riser card is higher than the opposite side, and the back is higher than the front.
3. Locate the cage which houses the SFP transceivers through the hole in the back of the node.
4. Align the Fibre Channel adapter riser-card connector with the connector on the system board.

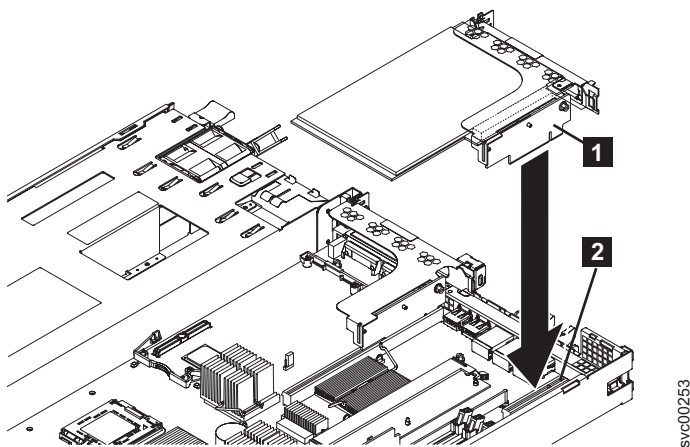


Figure 179. Replacing the Fibre Channel riser-card assembly for the SAN Volume Controller 2145-CG8 or 2145-CF8

- 1 Fibre Channel riser-card assembly
- 2 System-board riser-card connector

5. Press down on the top of the riser card until the card settles in the slot.
6. Anchor the adapter card assembly using two fastening screws from the back of the node.

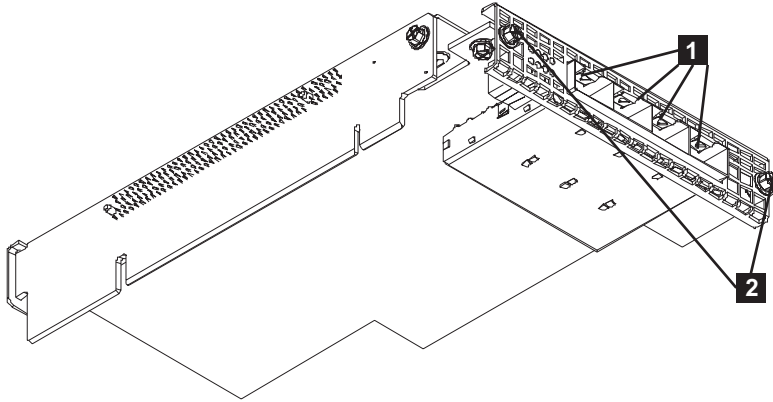


Figure 180. The SAN Volume Controller 2145-CG8 or 2145-CF8 Fibre Channel adapter

- 1** Fibre Channel ports 1 - 4
- 2** Back-rail retaining screws

7. Install all of the SFP transceivers into the adapter card, as described in “Removing and replacing the Fibre Channel SFP transceiver on a SAN Volume Controller node” on page 184.
8. Make sure that all cables, adapters, and other components are installed and seated correctly and that you have not left loose tools or parts inside the node. Make sure that all internal cables are correctly routed. If you disconnected the Fibre Channel and Ethernet cables, make sure that each cable is reconnected to the same port from which it was removed.
9. Replace the top cover. See “Replacing the top cover” on page 85.
10. Place the node in the rack. See “Replacing the SAN Volume Controller in a rack” on page 58.
11. Replace the cable-retention brackets and reconnect the power cables, as described in “Replacing the SAN Volume Controller 2145-CG8 or 2145-CF8 cable-retention brackets” on page 40.
12. Turn on the node.

Replacing the SAN Volume Controller 2145-8A4 Fibre Channel adapter assembly

Before you can replace the Fibre Channel adapter assembly, it must be installed in the riser-card assembly.

Before you begin

Perform the following steps to replace the SAN Volume Controller 2145-8A4 Fibre Channel adapter assembly:

Procedure

1. Remove the SFP transceivers if they are in the new Fibre Channel adapter assembly. To do this, unclip the release handle and then use the handle to pull out each SFP transceiver.
2. Slide the Fibre Channel adapter into position, keeping it close and parallel to the back edge of the riser card. Push the adapter securely into the connector. Ensure that the positioning clip on the adapter goes into the locating hole on the riser card, as shown in Figure 181 on page 196.

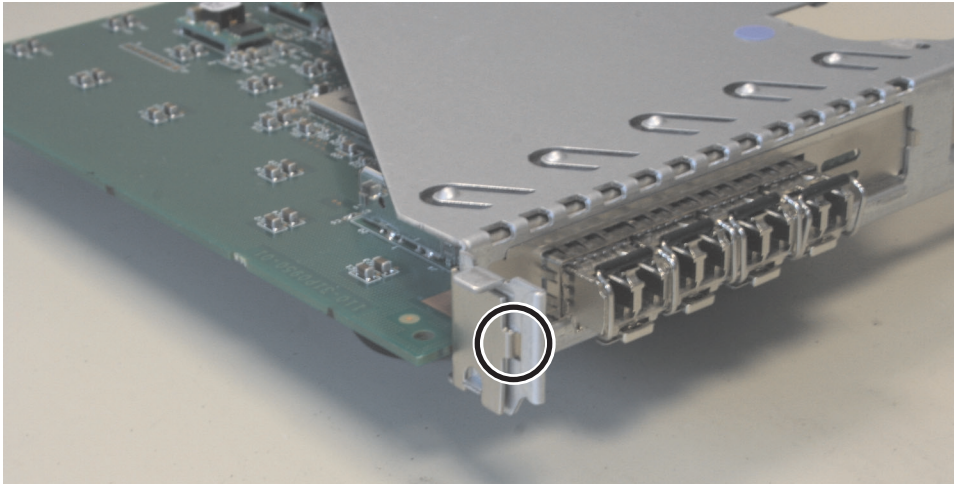


Figure 181. SAN Volume Controller 2145-8A4 riser-card assembly

3. Replace the SFP transceivers in the Fibre Channel adapter assembly.
4. Carefully align the riser-card assembly with the guides on the rear of the node and with the riser-card connectors on the system board. Press down on the assembly and make sure that the riser-card assembly is fully seated in the riser-card connectors on the system board.
5. Replace the top cover. See “Replacing the top cover” on page 85.
6. Place the node in the rack. See “Replacing the SAN Volume Controller in a rack” on page 58.
7. Replace the cables that were removed from the node, and make sure that you replace the Fibre Channel cables in the same ports from which they were removed.
8. Replace the cable-retention bracket. See “Replacing the cable-retention bracket” on page 40.

Replacing the SAN Volume Controller 2145-8G4 Fibre Channel adapter assembly

Perform the following steps to replace the SAN Volume Controller 2145-8G4 Fibre Channel adapter assembly:

Before you begin

Procedure

1. As you start inserting the adapter, align the edge connector on the low-profile adapter **1** with the connector **3** on the riser-card assembly **4**. Make sure that the adapter snaps into the riser-card securely. Press the riser-card edge connector firmly into the system-board connector. **5**, as shown in Figure 182 on page 197.

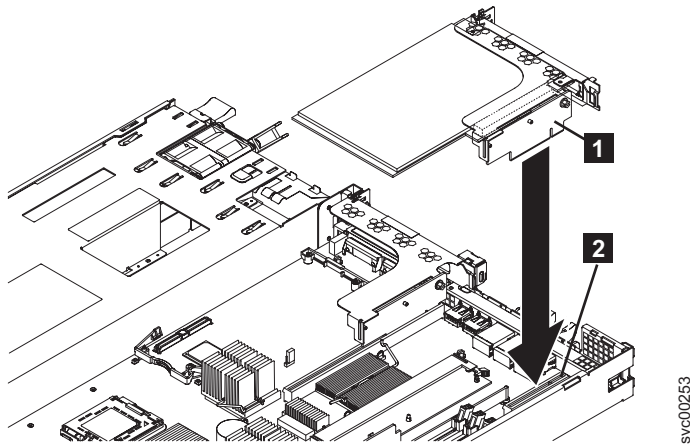


Figure 182. Replacing the riser-card assembly for the SAN Volume Controller 2145-8G4

- 1** Fibre Channel adapter
- 2** Adapter support bracket
- 3** Riser-card-adaptor connector
- 4** Riser-card assembly
- 5** System-board-riser-card connector

2. Replace the top cover. See “Replacing the top cover” on page 85.
3. Place the node in the rack. See “Replacing the SAN Volume Controller in a rack” on page 58.
4. Replace the cables that were removed from the node, and make sure that you replace the Fibre Channel cables in the same ports from which they were removed.
5. Replace the cable-retention bracket. See “Replacing the cable-retention bracket” on page 40.

Replacing the SAN Volume Controller 2145-8F4 or SAN Volume Controller 2145-8F2 adapter assemblies

Perform the following steps to install the Fibre Channel card into the riser-card assembly:

About this task

Note: The adapter assemblies are electrostatic-discharge sensitive. Take precautions to avoid damage from static electricity. Wear an anti-static wrist strap and use a static-protected mat or surface. For more information, see “Handling static-sensitive devices” on page xxi.

Procedure

1. Install the Fibre Channel card in slot 1, which is shown in Figure 183.

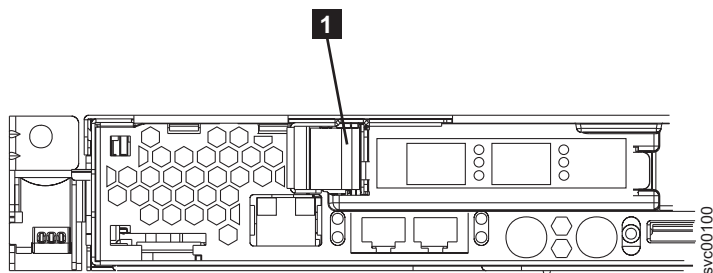


Figure 183. SAN Volume Controller 2145-8F2 or SAN Volume Controller 2145-8F4 PCI slot 1 card retainer

- a. Slide the I/O connector portion of the adapter through the slot 1 opening and align the edge connector on the low-profile adapter with the connector on the riser card. Press the edge connector firmly into the riser-card connector. Make sure that the adapter snaps into the riser card securely and the adapter is lying on top of the low-profile adapter support.
 - b. Push the adapter down past the tab so that the adapter snaps into place on the support.
 - c. Check the retention latches on the riser card and make sure that they are still securely in place.
 - d. Close the Fibre Channel card retainer to secure the card.
2. Install the Fibre Channel card in slot 2.
 - a. Align the edge connector on the Fibre Channel adapter with the connector on the riser card. Press the edge connector firmly into the riser-card connector. The card is fully installed when the gold connectors on the edge of the Fibre Channel cards are no longer visible.
 - b. Grasp the riser card assembly by its top edge or upper corners and align the riser card with the guides for the riser-card connector.
 - c. Press the riser card edge connector firmly into the slot 2 riser-card edge connector on the system board. Make sure that the retention latches snap into place to secure the riser card into the slot 2 riser-card connector.
 3. Replace the top cover. See “Replacing the top cover” on page 85.
 4. Place the node in the rack. See “Replacing the SAN Volume Controller in a rack” on page 58.

Removing and replacing an Ethernet SFP transceiver

When a failure occurs on a single 10 gigabits per second (Gbps) Ethernet link, the small form-factor pluggable (SFP) transceiver might need to be replaced.

Before you begin

DANGER

Multiple power cords. The product might be equipped with multiple power cords. To remove all hazardous voltages, disconnect all power cords. (L003)

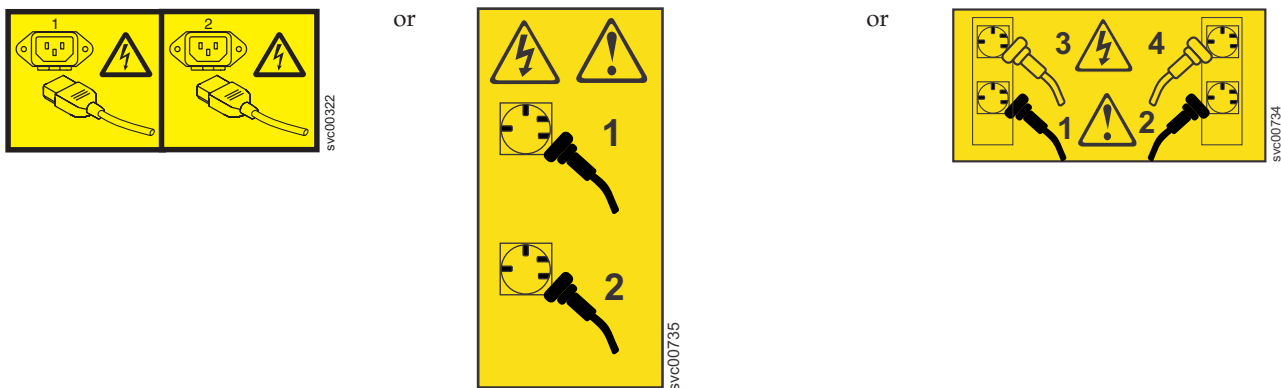


Figure 184 on page 199 shows the connectors on the rear of the SAN Volume Controller 2145-CG8:

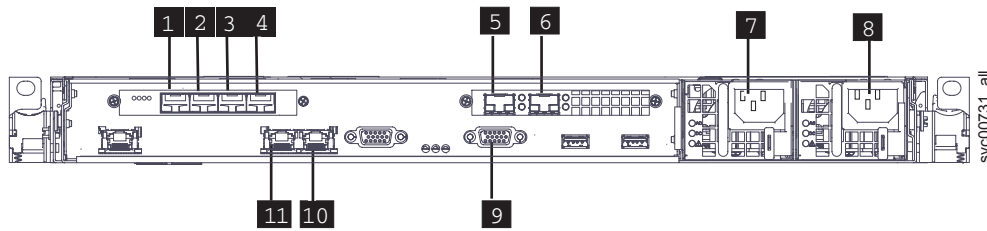


Figure 184. Connectors on the rear of the SAN Volume Controller 2145-CG8

- 1** Fibre Channel port 1
- 2** Fibre Channel port 2
- 3** Fibre Channel port 3
- 4** Fibre Channel port 4
- 5** Ethernet port 3 (10 Gbps)
- 6** Ethernet port 4 (10 Gbps)
- 7** Power connector 1
- 8** Power connector 2
- 9** Serial port for Uninterruptible power-supply communications (RS232)
- 10** Ethernet port 1 (1 Gbps)
- 11** Ethernet port 2 (1 Gbps)

About this task

This service action requires you to:

- Turn the node off.
- Disconnect the power cables.
- Disconnect the data cables.

Perform the following steps to remove and then replace an SFP transceiver:

Procedure

1. Carefully determine which of the two 10 Gbps Ethernet ports is failing.
2. Read the safety information to which “Preparing to remove and replace parts” on page 26 refers.
3. Turn off the node while ensuring that its data is mirrored and synchronized. See MAP 5350 in the *IBM System Storage SAN Volume Controller Troubleshooting Guide* for more information. You power off the node because the serial cable has to be removed to give access to the SFP transceivers.
4. Remove the fiber-optic cable from the from the port that has the problem by pressing its release tab and pulling the cable out. Be careful to exert pressure only on the connector and do not pull on the fiber-optic cable. If necessary, remove the serial cable to get access to the SFP transceiver. If the serial cable is removed, remember to replace it.
5. Remove the SFP transceiver from the port that has the problem.

Locate the release handle that is incorporated into the SFP transceiver, unclip the handle, and then use the handle to pull out the SFP transceiver.

Some SFP transceivers might have a plastic tag. If so, pull the tag to remove the SFP transceiver.

Important: The customer might be using a non-standard SFP transceiver. If so, the customer should alert you as to the SFP transceiver to use, and provide the SFP transceiver to you. Always check that the SFP transceiver that you replace matches the SFP transceiver that you remove.

6. Push the new SFP transceiver into the aperture. Gently push the SFP transceiver until it is fully inserted; then swing the release handle over to lock it in place.

Figure 185 illustrates an SFP transceiver and its release handle.



Figure 185. SFP transceiver

7. Replace the fiber-optic cable that was removed by gently pushing into the SFP transceiver until it clicks into place. Then replace the serial cable and secure it in place.
8. Power on the node by using the front panel power button.
9. Confirm that the error is now fixed. Check the SAN port status using the front-panel display. If possible, check the status given by the Ethernet monitoring tools of the customer. Either mark the error as fixed or restart the node depending on the failure indication that you originally noted.

Removing the 10 Gbps Ethernet riser-card assembly

An authorized IBM service provider can remove the 10 Gbps Ethernet riser-card assembly.

Before you begin

Take precautions to avoid damage from static electricity. Wear an anti-static wrist strap and use a static-protected mat or surface. For more information, see “Handling static-sensitive devices” on page xxi.

Removing the SAN Volume Controller 2145-CG8 10 Gbps Ethernet riser-card assembly

An authorized IBM service provider can remove the 10 gigabits per second (Gbps) Ethernet riser-card assembly from the SAN Volume Controller 2145-CG8 node.

Before you begin

DANGER

Multiple power cords. The product might be equipped with multiple power cords. To remove all hazardous voltages, disconnect all power cords. (L003)

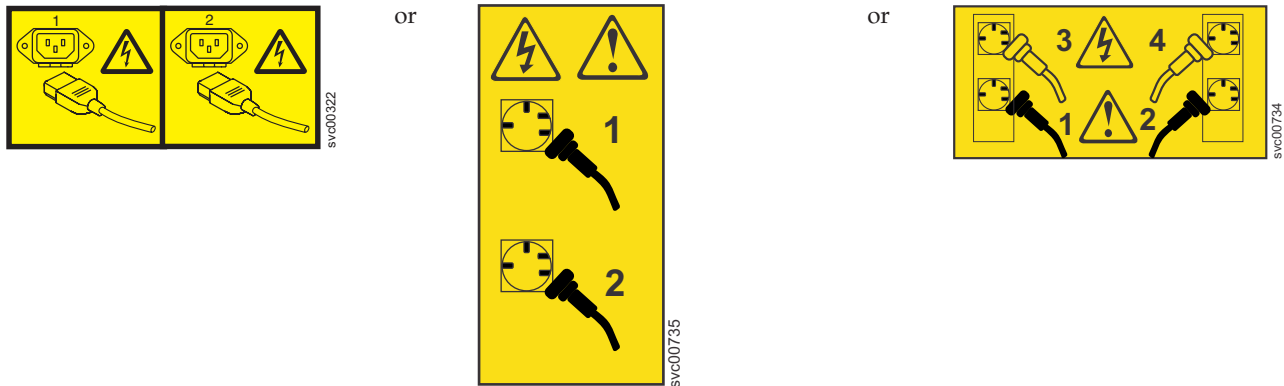


Figure 186 shows the connectors on the rear of the SAN Volume Controller 2145-CG8:

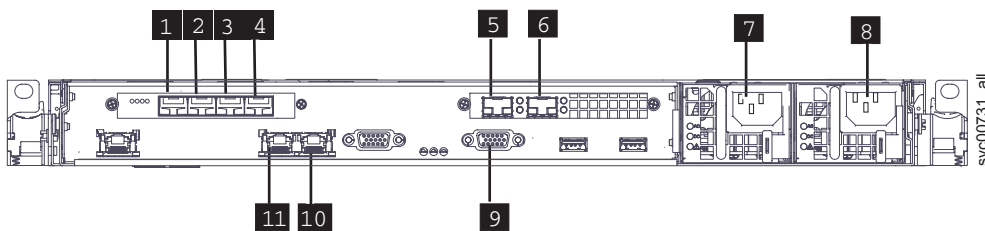


Figure 186. Connectors on the rear of the SAN Volume Controller 2145-CG8

- 1** Fibre Channel port 1
- 2** Fibre Channel port 2
- 3** Fibre Channel port 3
- 4** Fibre Channel port 4
- 5** Ethernet port 3 (10 Gbps)
- 6** Ethernet port 4 (10 Gbps)
- 7** Power connector 1
- 8** Power connector 2
- 9** Serial port for Uninterruptible power-supply communications (RS232)
- 10** Ethernet port 1 (1 Gbps)
- 11** Ethernet port 2 (1 Gbps)

About this task

This service action requires you to remove the cover and:

- Turn the node off.
- Disconnect the power cables.
- Disconnect the data cables.

To remove the SAN Volume Controller 2145-CG8 10 Gbps Ethernet riser-card assembly, perform the following steps:

Procedure

1. Read the safety information to which “Preparing to remove and replace parts” on page 26 refers.
2. Perform the procedure to remove the top cover, performing the optional steps to turn off the node and remove the node from the rack, if it is easier to work on the node that way, as described in “Removing the top cover” on page 80.

As you label and remove all cables after turning off the node in the “Removing the top cover” on page 80 procedure, be sure to remove the serial cable from the UPS that attaches to the serial port on the back of the node before you attempt to remove the fiber optic cable and the Ethernet small form-factor pluggable (SFP) transceiver from the first port on the Ethernet card in the 10 Gbps Ethernet riser-card assembly.

Remove the two fiber optic cables from the 10 Gbps Ethernet riser-card assembly by pressing their release tabs and pulling each cable out. Be careful to exert pressure only on the connectors and do not pull on the fiber optic cables.

3. Remove both Ethernet SFP transceivers, as described in “Removing and replacing an Ethernet SFP transceiver” on page 198 before removing the Ethernet riser-card assembly.
4. Remove the two M3 screws that attach the Ethernet riser-card assembly to the back rail.

The 10 Gbps Ethernet riser-card assembly attaches to the back rail with two screws, as shown in the partial view of the rail with the 10 Gbps Ethernet riser-card assembly attached in Figure 187.

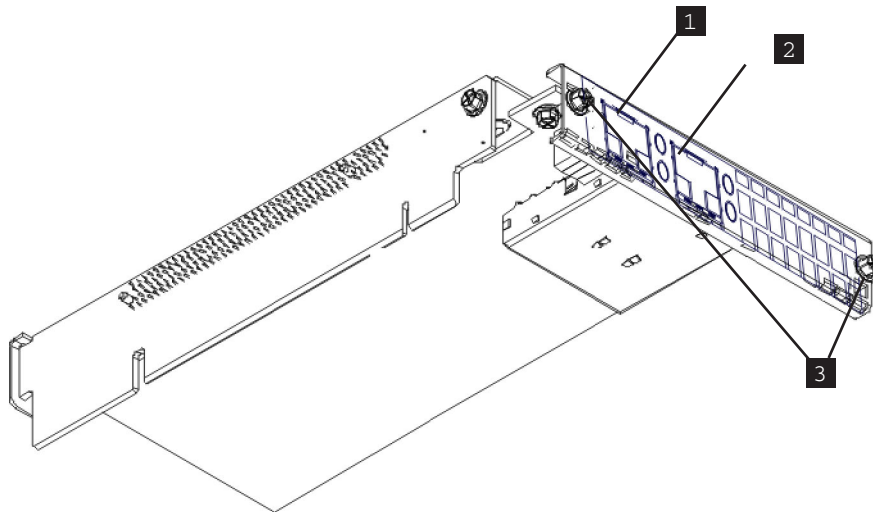


Figure 187. SAN Volume Controller 2145-CG8 10 Gbps Ethernet riser-card assembly with cutaway view of back rail

- 1** 10 Gbps Ethernet port 1
- 2** 10 Gbps Ethernet port 2
- 3** Back-rail retaining screws

5. After removing the back-rail retaining screws for the Ethernet riser-card assembly, grasp the Ethernet riser-card assembly at either end and pull up out of the PCI slot 2 riser-card connector, as shown in Figure 188 on page 203. Once the Ethernet riser-card assembly clears the connector, gently twist the Ethernet riser-card assembly to separate the Ethernet riser-card assembly from the node.

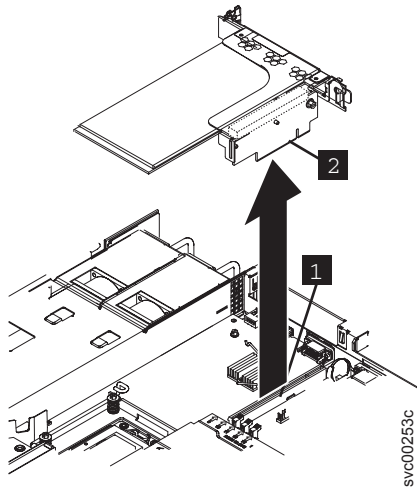


Figure 188. Removing the 10 Gbps Ethernet riser-card assembly

- 1** PCI slot 2 riser-card connector
- 2** 10 Gbps Ethernet riser-card assembly

When looking from the back, the PCI slot 1 connector is the connector on the left. The 10 Gbps Ethernet riser-card assembly attaches to the PCI slot 2 connector on the right side of the system board, when looking from the back.

Note: Do not power on the node with nothing connected to the system planar PCI slot 2. If you are replacing the Ethernet adapter, insert the replacement adapter. If you are not replacing the Ethernet adapter, either insert a high speed SAS adapter (feature code 4500), or a riser card. If you need a riser card and do not have one, you can remove the riser card from the 10 Gbps Ethernet card that you just removed.

6. Place the Ethernet riser-card assembly on a flat, static-protective surface.
7. If you are instructed to return the 10 Gbps Ethernet riser-card assembly, follow all packaging instructions, and use any packaging materials for shipping that are supplied to you.

Replacing the 10 Gbps Ethernet riser-card assembly

An IBM authorized service provider can replace the 10 Gbps Ethernet riser-card assembly.

Before you begin

Take precautions to avoid damage from static electricity. Wear an anti-static wrist strap and use a static-protected mat or surface. For more information, see “Handling static-sensitive devices” on page xxi.

Replacing the 2145-CG8 10 Gbps Ethernet riser-card assembly

An authorized IBM service provider can replace the 10 gigabits per second (Gbps) Ethernet riser-card assembly into the SAN Volume Controller 2145-CG8 node.

Before you begin

DANGER

Multiple power cords. The product might be equipped with multiple power cords. To remove all hazardous voltages, disconnect all power cords. (L003)

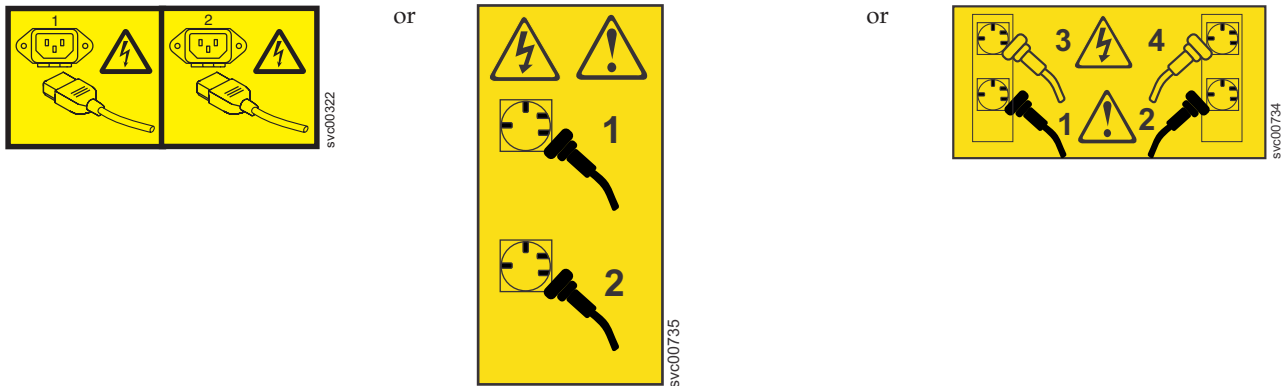


Figure 189 shows the connectors on the rear of the SAN Volume Controller 2145-CG8:

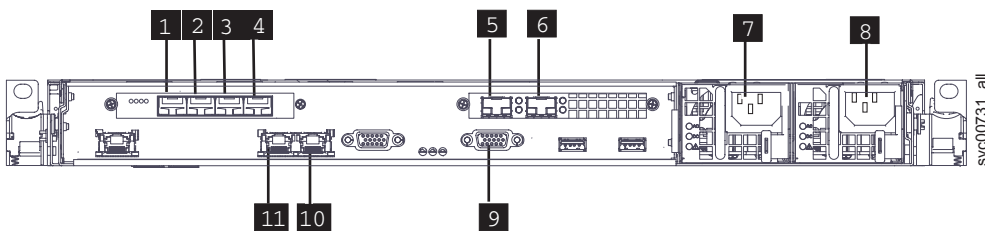


Figure 189. Connectors on the rear of the SAN Volume Controller 2145-CG8

- 1** Fibre Channel port 1
- 2** Fibre Channel port 2
- 3** Fibre Channel port 3
- 4** Fibre Channel port 4
- 5** 10 Gbps Ethernet port 1
- 6** 10 Gbps Ethernet port 2
- 7** Power connector 1
- 8** Power connector 2
- 9** Serial port for UPS communications (RS232)
- 10** 1 Gbps Ethernet port 2
- 11** 1 Gbps Ethernet port 1

About this task

This service action assumes that you have removed the top cover and that:

- The node is off.
- The power cables are disconnected.
- The data cables are disconnected.

To replace the SAN Volume Controller 2145-CG8 10 Gbps Ethernet riser-card assembly, perform the following steps:

Procedure

1. If present, remove both Ethernet small form-factor pluggable (SFP) transceivers before replacing the Ethernet riser-card assembly, as described in “Removing and replacing an Ethernet SFP transceiver” on page 198.
2. Grasp each end of the Ethernet riser-card assembly, tilt the Ethernet riser-card assembly so that the side with the PCI riser card is higher than the opposite side, and the back is higher than the front.
3. Locate the cage that houses the Ethernet SFP transceivers through the hole in the back of the node.
4. Align the 10 Gbps Ethernet riser-card assembly connector with the PCI slot 2 connector on the system board, as shown in Figure 190.

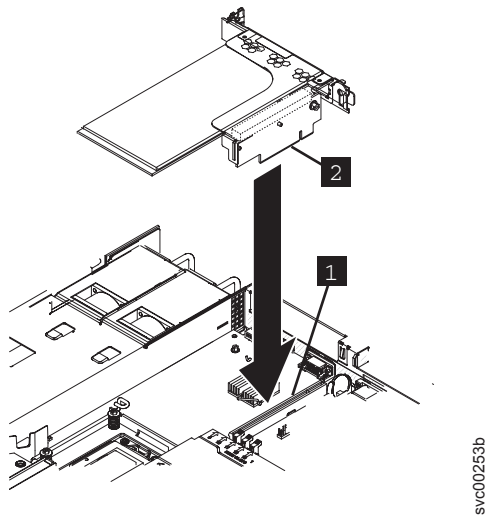


Figure 190. Replacing the 10 Gbps Ethernet riser-card assembly for the SAN Volume Controller 2145-CG8

- 1** PCI slot 2 riser-card connector
- 2** 10 Gbps Ethernet riser-card assembly

When looking from the back, the PCI slot 1 connector is the connector on the left. The 10 Gbps Ethernet riser-card assembly attaches to the PCI slot 2 connector on the right side of the system board, when looking from the back.

5. Press down on the top of the Ethernet riser-card assembly until the card settles in the slot.
6. Anchor the Ethernet riser-card assembly using two fastening screws from the back of the node, as shown in the cutaway view of a section of the rail in Figure 191 on page 206.

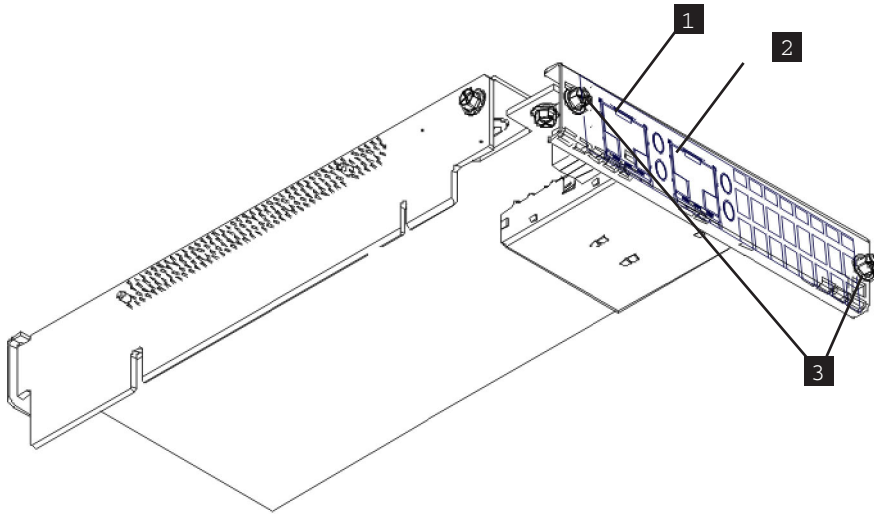


Figure 191. SAN Volume Controller 2145-CG8 10 Gbps Ethernet riser-card assembly with cutaway view of back rail

- 1** 10 Gbps Ethernet port 1
- 2** 10 Gbps Ethernet port 2
- 3** Back-rail retaining screws

7. Install both SFP transceivers into the Ethernet riser-card assembly, as described in “Removing and replacing an Ethernet SFP transceiver” on page 198.
8. If you did not do so as part of the procedure for replacing the Ethernet SFP transceivers, make sure that all cables, adapters, and other components are installed and seated correctly and that you have not left loose tools or parts inside the node. Make sure that all internal cables are correctly routed.
9. If you did not do so as part of the procedure for replacing the Ethernet SFP transceivers, replace the top cover, following the procedure in “Replacing the top cover” on page 85 and being careful to reattach the fiber optic cable to Ethernet port 1 before replacing the serial cable connecting the node to the UPS.

After following the procedure to replace the top cover, the node is installed in the rack, all cables are reconnected, and the node is turned on.

Removing the high-speed SAS adapter

You can remove the high-speed adapter assembly in the SAN Volume Controller 2145-CF8.

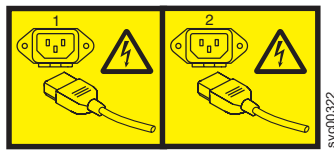
Removing the SAN Volume Controller 2145-CG8 or 2145-CF8 high-speed SAS adapter assembly

You can remove the SAN Volume Controller 2145-CG8 or 2145-CF8 high-speed SAS adapter assembly.

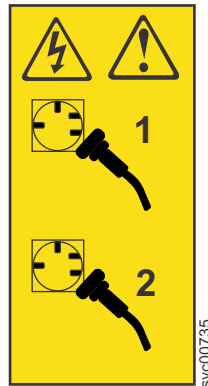
Before you begin

DANGER

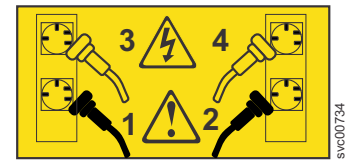
Multiple power cords. The product might be equipped with multiple power cords. To remove all hazardous voltages, disconnect all power cords. (L003)



or



or



About this task

This service action requires you to remove the cover and:

- Turn the node off.
- Disconnect the power cables.
- Disconnect the data cables.

To remove the SAN Volume Controller 2145-CG8 or 2145-CF8 high-speed SAS adapter assembly, perform the following steps:

Procedure

1. Read the safety information to which “Preparing to remove and replace parts” on page 26 refers.
2. Follow the procedure in MAP 5350 in the *IBM System Storage SAN Volume Controller Troubleshooting Guide* to verify that the node data is mirrored and synchronized, and that there are no dependent volumes before turning off the node.
3. Slide the node out on its slide rails to the fully extended position.
You can perform most service actions when the node is fully extended from the rack on its slide rails. You can leave the Fibre Channel and Ethernet cables connected, if you are using the cable-management arm and if you are not removing the node from the rack. If the location of the node in the rack is too high or too low to work comfortably, you can remove the node from the rack.
4. When the node is completely turned off, remove the cable-retention brackets and disconnect the power cables, as described in “Removing the cable-retention bracket” on page 34.
5. To make sure that you can replace all cables in the same ports from which they were removed, label the port position of each Fibre Channel and Ethernet cable; then remove all cables from the back of the node.
6. Optional: Remove the node from the rack and place it on a flat, static-protective surface. See “Removing the SAN Volume Controller from a rack” on page 47.
7. Remove the top cover. See “Removing the top cover” on page 80.
8. Remove the two M3 screws that attach the adapter assembly to the back rail.

The high-speed SAS adapter assembly and the Fibre Channel adapter assembly each attach to the back rail with two screws, as shown in the partial view of the rail with the high-speed SAS adapter assembly attached in Figure 192.

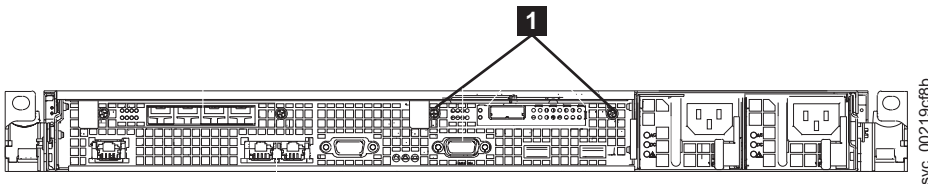


Figure 192. High-speed SAS adapter assembly mounted in the back rail of the SAN Volume Controller 2145-CG8 or 2145-CF8

9. After removing the back-rail retaining screws for the adapter assembly, grasp the riser-card assembly at the rear edge and lift to remove the assembly, as shown in Figure 193.

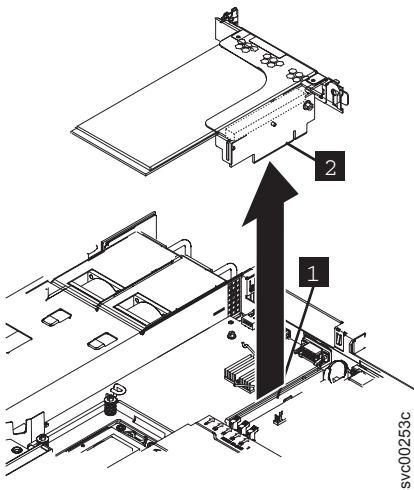


Figure 193. Removing the high-speed SAS riser-card assembly for the SAN Volume Controller 2145-CG8 or 2145-CF8

10. Grasp the high-speed SAS adapter riser-card assembly by its top edge or upper corners and pull the card up out of the slot 2 riser-card connector.

Note: Do not power on the node with nothing connected to the system planar PCI slot 2. If you are replacing the SAS adapter (supported only on CG-8), insert the replacement adapter. If you are not replacing the SAS adapter, either insert a high-speed SAS adapter, or a riser card. If you need a riser card and do not have one, you can remove the riser card from the 10 Gbps Ethernet card that you just removed.

When looking from the back, the slot 2 connector is the connector on the right. The 4-port Fibre Channel adapter attaches to the slot 1 connector on the left side of the system board, when looking from the back.

11. Remove the high-speed SAS adapter cable from the adapter.
12. Place the high-speed SAS adapter riser-card assembly on a flat, static-protective surface.
13. If you are instructed to return the high-speed SAS adapter riser-card assembly, follow all packaging instructions, and use any packaging materials for shipping that are supplied to you.

Replacing the high-speed SAS adapter

You can replace the high-speed SAS adapter in the SAN Volume Controller 2145-CF8.

Replacing the SAN Volume Controller 2145-CG8 or 2145-CF8 high-speed SAS adapter assembly

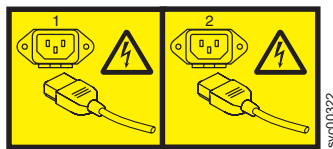
You can replace a high-speed SAS adapter that was installed and configured, but then removed.

Before you begin

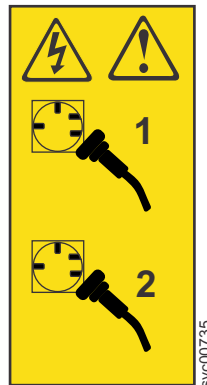
If you are installing a high-speed SAS adapter assembly and one or more solid-state drives (SSDs), use the instructions that come with each MES upgrade to install and configure the high-speed SAS adapter and each solid-state drive (SSD).

DANGER

Multiple power cords. The product might be equipped with multiple power cords. To remove all hazardous voltages, disconnect all power cords. (L003)



or



or



About this task

Perform the following steps to replace the SAN Volume Controller high-speed SAS adapter assembly, after removing an adapter that was already configured:

Procedure

1. Read the safety information to which “Preparing to remove and replace parts” on page 26 refers.
2. Attach the high-speed SAS cable to the connector on the bottom of the high-speed SAS adapter, as described in “Replacing the SAN Volume Controller 2145-CG8 or 2145-CF8 high-speed SAS cable” on page 214.

Attach the cable so that the end with the label is to the front of the node and the end without the label attaches to the adapter.

3. Insert the adapter into the riser card, then insert the assembly into the slot 2 connector on the system board.

As you start inserting the adapter, align the edge connector on the low-profile adapter with the connector on the riser-card assembly. Make sure that the adapter snaps into the riser-card securely.

Then press the riser-card edge connector **2** firmly into the system-board slot 2 connector **1**, as shown in Figure 194 on page 210.

When viewed from the back of the node, the slot 1 connector is on the left and contains the Fibre Channel adapter assembly. The slot 2 connector is on the right when viewed from the back of the node.

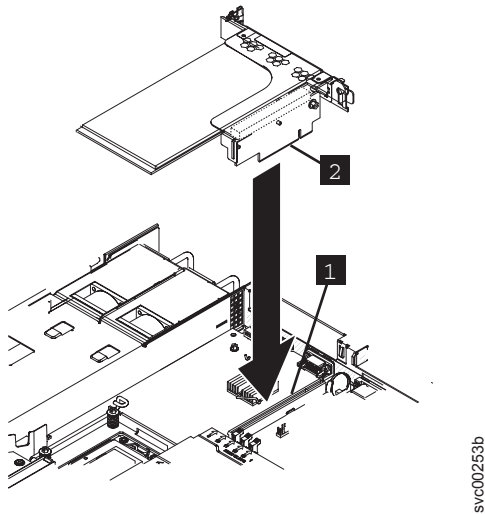


Figure 194. Replacing the high-speed SAS riser-card assembly for the SAN Volume Controller 2145-CG8 or 2145-CF8

- 1** Slot 2 connector
- 2** High-speed SAS adapter

4. Grasp the high-speed SAS adapter assembly to steady it while you align and attach the adapter assembly to the back rail with the two M3 screws that were removed during the removal of the adapter.

The high-speed SAS adapter assembly and the Fibre Channel adapter assembly each attach to the back rail with two screws (**1**), as shown in the view of the rail with the high-speed SAS adapter assembly attached in Figure 195.

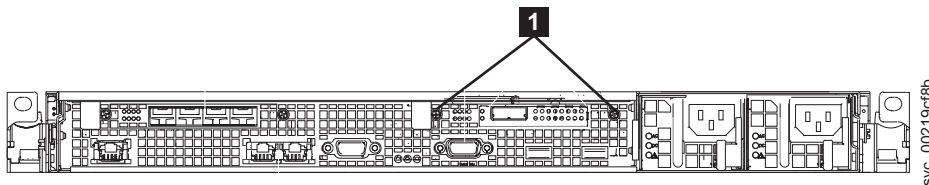


Figure 195. High-speed SAS adapter assembly mounted in the back rail of the SAN Volume Controller 2145-CG8 or 2145-CF8

5. Make sure that all cables, adapters, and other components are installed and seated correctly and that you have not left loose tools or parts inside the node. Make sure that all internal cables are correctly routed. If you disconnected the Fibre Channel and Ethernet cables, make sure that each cable is reconnected to the same port from which it was removed.
6. Replace the top cover. See “Replacing the top cover” on page 85.
After following the procedure to replace the top cover, the node is installed in the rack and is turned on.

Removing the high-speed SAS adapter, the adapter cable, and the solid-state drive (SSD)

You can remove the high-speed adapter assembly, the adapter cable, and the serial attached SCSI (SAS) solid-state drives (SSDs) in the SAN Volume Controller 2145-CF8.

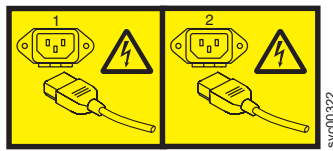
Removing the SAN Volume Controller 2145-CG8 or 2145-CF8 high-speed SAS cable

You can remove the SAN Volume Controller 2145-CG8 or 2145-CF8 high-speed SAS cable.

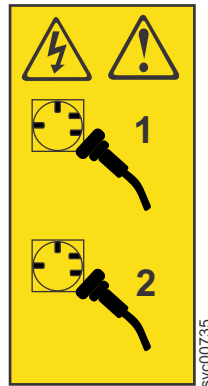
Before you begin

DANGER

Multiple power cords. The product might be equipped with multiple power cords. To remove all hazardous voltages, disconnect all power cords. (L003)



or



or



About this task

This service action requires you to remove the cover and:

- Turn the node off.
- Disconnect the power cables.
- Disconnect the data cables.

To remove the SAN Volume Controller 2145-CG8 or 2145-CF8 high-speed SAS adapter cable, perform the following steps :

Procedure

1. Read the safety information to which “Preparing to remove and replace parts” on page 26 refers.
2. Follow the procedure in MAP 5350 in the *IBM System Storage SAN Volume Controller Troubleshooting Guide* to verify that the node data is mirrored and synchronized, and that there are no dependent volumes before turning off the node.
3. Slide the node out on its slide rails to the fully extended position.
4. When the node is completely turned off, remove the cable-retention brackets and disconnect the power cables, as described in “Removing the cable-retention bracket” on page 34.
5. To make sure that you can replace all cables in the same ports from which they were removed, label the port position of each Fibre Channel and Ethernet cable; then remove all cables from the back of the node.
6. Optional: Remove the node from the rack and place it on a flat, static-protective surface. See “Removing the SAN Volume Controller from a rack” on page 47.

You can perform most service actions when the node is fully extended from the rack on its slide rails. If the location of the node in the rack is too high or too low to work comfortably, you can remove the node from the rack.

7. Remove the top cover. See “Removing the top cover” on page 80.
8. Remove the high-speed SAS adapter from the slot 2 riser-card connector at the rear of the system board, as described in “Removing the SAN Volume Controller 2145-CG8 or 2145-CF8 high-speed SAS adapter assembly” on page 206.

The high-speed SAS cable is shown in Figure 196.

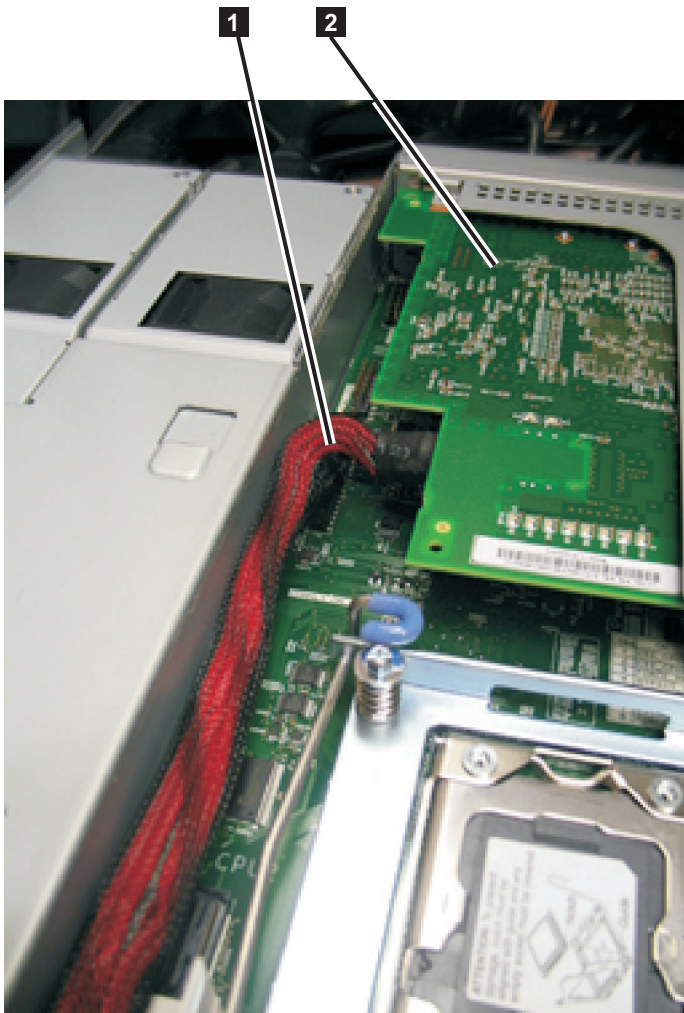


Figure 196. High-speed SAS adapter assembly and high-speed SAS cable in the SAN Volume Controller 2145-CG8 or 2145-CF8

- 1** High-speed SAS cable plugged into the high-speed SAS adapter assembly
 - 2** High-speed SAS adapter assembly
9. Disconnect the high-speed SAS cable from the high-speed SAS adapter.
 10. Remove the cable from the blue bulkhead clip behind the disk backplane, as shown in Figure 197 on page 213.

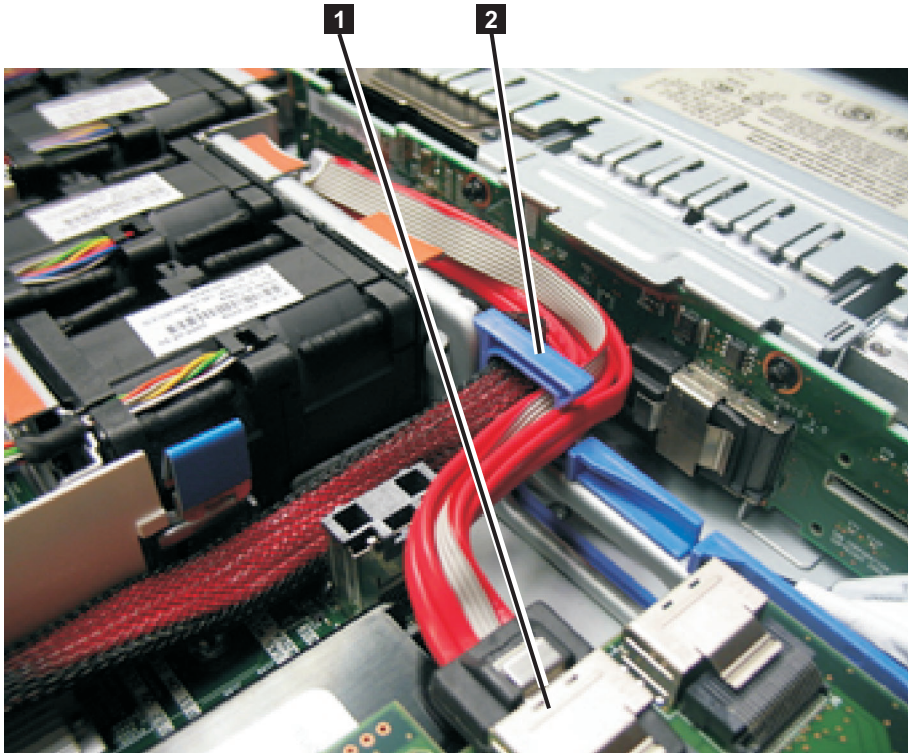


Figure 197. Boot-disk SAS cable routed through the blue bulkhead clip and connected to the SAS disk controller in the SAN Volume Controller 2145-CG8 or 2145-CF8

1 Boot-disk SAS cable that is plugged into the disk-controller-and-USB-riser-card assembly

2 Blue bulkhead clip with the high-speed SAS-adapter cable and the boot-disk SAS cable

Remove the boot-disk SAS cable from the blue bulkhead clip if necessary, before removing the high-speed SAS adapter cable from the clip.

11. Disconnect the high-speed SAS cable from the SAS connector in the center of the back of the disk backplane, as shown in Figure 198 on page 214.

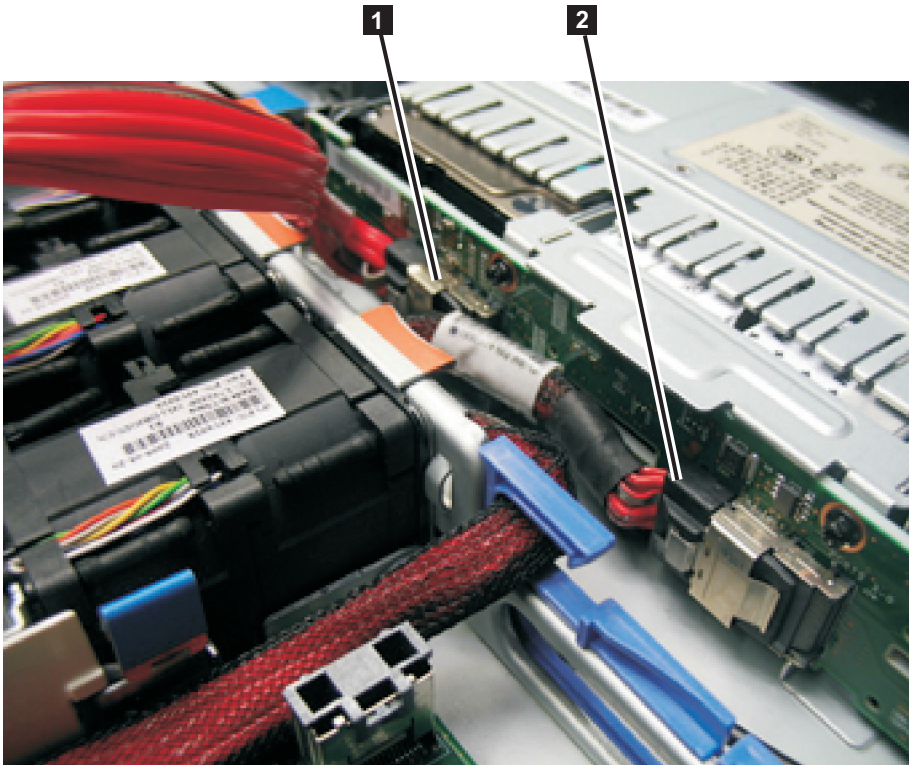


Figure 198. Boot-disk SAS cable and the high-speed SAS cable connected to the disk backplane in the SAN Volume Controller 2145-CG8 or 2145-CF8

- 1 Boot-disk SAS cable that is plugged into the disk-drive backplane to support drive bay 4
- 2 High-speed SAS-adapter cable that is plugged into the middle of the backplane to support drive bays 0, 1, 2, and 3

12. Remove the cable from the SAN Volume Controller 2145-CG8 or 2145-CF8.

Replacing the high-speed SAS adapter, the adapter cable, and the solid-state drive (SSD)

You can replace the high-speed SAS adapter, the adapter cable, and the serial attached SCSI (SAS) solid-state drives (SSDs) in the SAN Volume Controller 2145-CG8 or 2145-CF8.

Replacing the SAN Volume Controller 2145-CG8 or 2145-CF8 high-speed SAS cable

You can replace the SAN Volume Controller 2145-CG8 or 2145-CF8 high-speed SAS cable.

About this task

Perform the following steps to replace the SAN Volume Controller 2145-CG8 or 2145-CF8 high-speed cable:

Procedure

1. Remove the high-speed SAS adapter from the slot 2 riser-card connector at the rear of the system board, as described in "Removing the SAN Volume Controller 2145-CG8 or 2145-CF8 high-speed SAS adapter assembly" on page 206.

The high-speed SAS cable is shown in Figure 199 on page 215.



Figure 199. High-speed SAS adapter assembly and high-speed SAS cable in the SAN Volume Controller 2145-CG8 or 2145-CF8

- 1** High-speed SAS cable plugged into the high-speed SAS adapter assembly
 - 2** High-speed SAS adapter assembly
2. Attach the high-speed SAS cable to the high-speed SAS adapter.
Attach the cable so that the end with the label is to the front of the node and the end without the label attaches to the adapter.
 3. Replace the high-speed SAS adapter card, as described in “Replacing the SAN Volume Controller 2145-CG8 or 2145-CF8 high-speed SAS adapter assembly” on page 209.
 4. Disconnect the boot-disk SAS cable from the disk controller and move it out of the blue bulkhead clip.
 5. Route the cable from the high-speed SAS adapter through the blue bulkhead clip behind the drive backplane.
 6. Attach the high-speed SAS cable to the SAS connector in the center of the back of the SAS drive back plane. Use the connector that connects to drive bays 0, 1, 2, and 3.
The high-speed SAS cable is shown in Figure 200 on page 216.

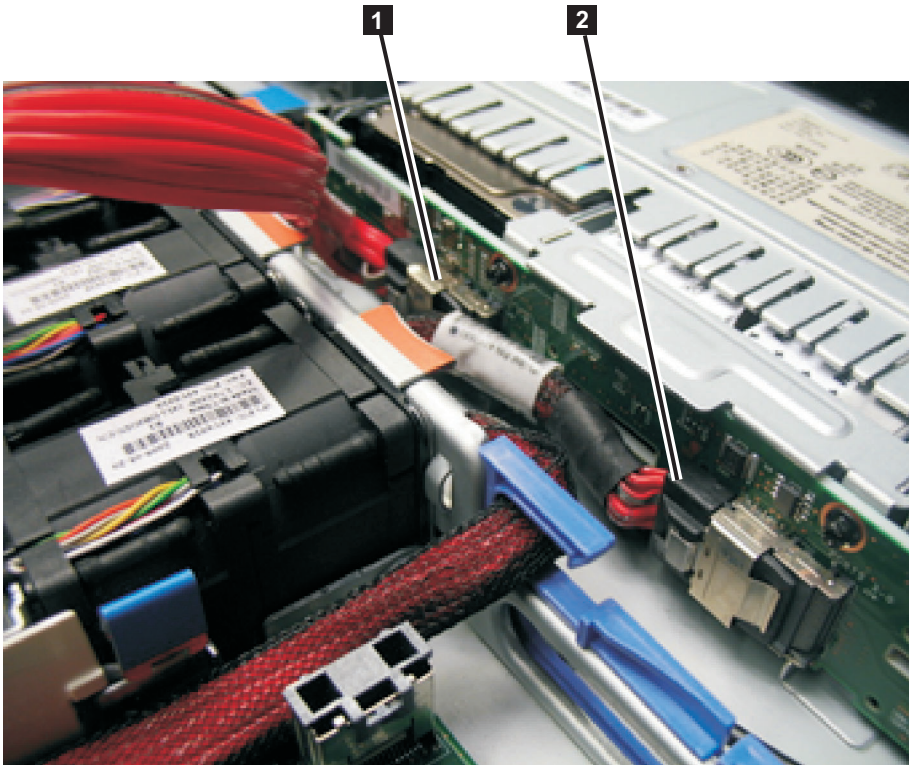


Figure 200. Boot-disk SAS cable and the high-speed SAS cable connected to the disk backplane in the SAN Volume Controller 2145-CG8 or 2145-CF8

- 1 Boot-disk SAS cable that is plugged into the disk-drive backplane to support drive bay 4
 - 2 High-speed SAS-adapter cable that is plugged into the middle of the backplane to support drive bays 0, 1, 2, and 3
7. Reroute the boot-disk SAS cable through the blue bulkhead clip and reconnect the cable to the disk controller.

The high-speed SAS cable is shown in Figure 201 on page 217.

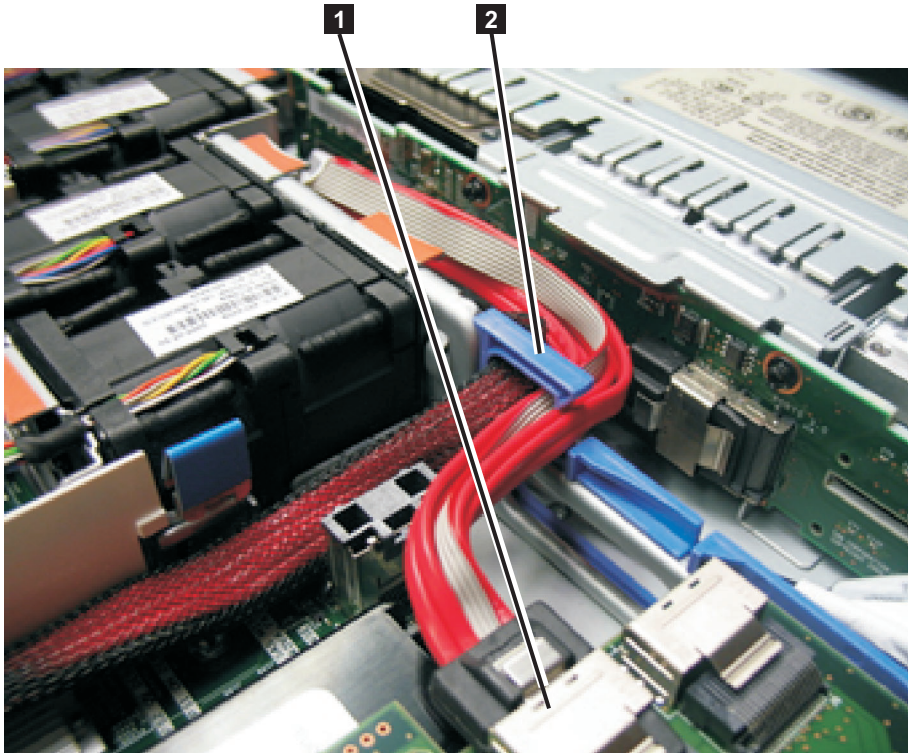


Figure 201. Boot-disk SAS cable routed through the blue bulkhead clip and connected to the SAS disk controller in the SAN Volume Controller 2145-CG8 or 2145-CF8

- 1 Boot-disk SAS cable that is plugged into the disk-controller-and-USB-riser-card assembly
- 2 Blue bulkhead clip with the high-speed SAS-adapter cable and the boot-disk SAS cable

Removing the disk-controller and USB riser-card assembly

You can remove the disk-controller and USB riser-card assembly.

Before you begin

Take precautions to avoid damage from static electricity. Wear an anti-static wrist strap and use a static-protected mat or surface. For more information, see “Handling static-sensitive devices” on page xxi.

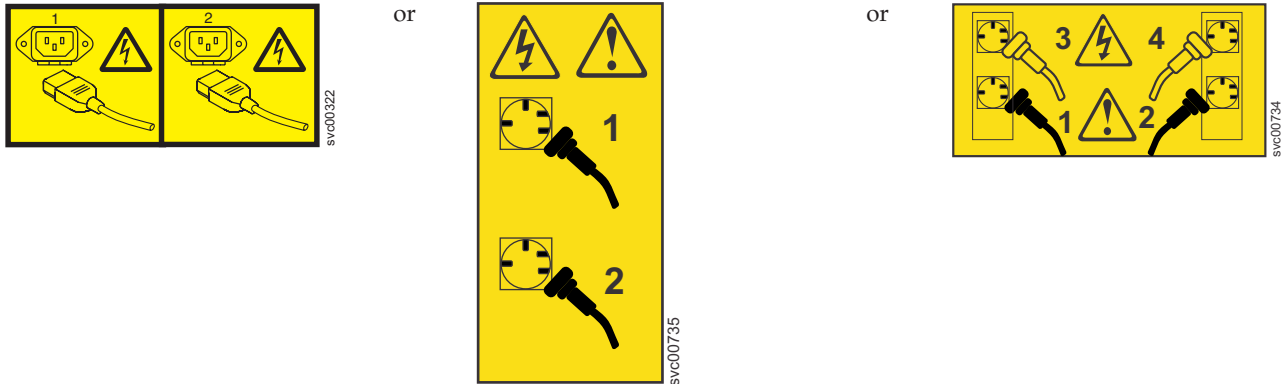
Removing the SAN Volume Controller 2145-CG8 or 2145-CF8 disk-controller and USB riser-card assembly

You can remove the SAN Volume Controller 2145-CG8 or 2145-CF8 disk-controller and USB riser-card assembly.

Before you begin

DANGER

Multiple power cords. The product might be equipped with multiple power cords. To remove all hazardous voltages, disconnect all power cords. (L003)



About this task

This service action requires you to remove the cover and:

- Turn off the node.
- Disconnect the power cables.
- Disconnect the service-controller USB cable, the SAS boot-disk cable, and the SAS cable to disk bays 0, 1, 2, and 3, if the cable is still installed.

To remove the disk-controller and USB riser-card assembly, complete the following steps:

Procedure

1. Read the safety information to which “Preparing to remove and replace parts” on page 26 refers.
2. Follow the procedure in MAP 5350 in the *IBM System Storage SAN Volume Controller Troubleshooting Guide* to verify that the node data is mirrored and synchronized, and that there are no dependent volumes before turning off the node.
3. Slide the node out on its slide rails to the fully extended position.
You can perform most service actions when the node is fully extended from the rack on its slide rails. You can leave the Fibre Channel and Ethernet cables connected, if you are using the cable-management arm and if you are not removing the node from the rack. If the location of the node in the rack is too high or too low to work comfortably, you can remove the node from the rack.
4. When the node is completely turned off, remove the cable-retention brackets and disconnect the power cables, as described in “Removing the cable-retention bracket” on page 34.
5. Optional: If you must remove the node from the rack to work on it, perform the following procedure to remove all cables and remove the node from the rack:
 - a. To make sure that you can replace all cables in the same ports from which they were removed, label the port position of each Fibre Channel and Ethernet cable; then remove all cables from the back of the node.
 - b. Remove the node from the rack and place it on a flat, static-protective surface. See “Removing the SAN Volume Controller from a rack” on page 47.
6. Remove the top cover. See “Removing the top cover” on page 80.

7. Remove the USB service-controller cable from the USB connection (**1** in Figure 202) on the disk-controller and USB riser-card assembly (**3**), as described in “Removing and replacing the SAN Volume Controller 2145-CG8 or 2145-CF8 service controller cable” on page 91.

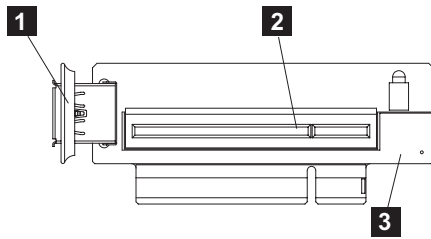


Figure 202. USB riser-card assembly (SAN Volume Controller 2145-CF8 shown)

- 1** USB connector
 - 2** Disk-controller connector
 - 3** USB riser-card assembly (shown without the disk controller)
8. Remove the SAS cable that runs to the boot-drive-bay connector on the left side of the back of the disk backplane, when viewed from the rear, from the connector on the disk-controller and USB riser-card assembly that is closer to the power supply.
 9. If present, remove the SAS cable that runs to disk-drive-bay connector in the center of the back of the disk backplane, when viewed from the rear, from the connector on the disk-controller and USB riser-card assembly that is closer to the front of the node.
 10. Grasp the disk controller near the end next to the power-supply cage while you press the black plastic tab (next to the power supply) toward the power supply.

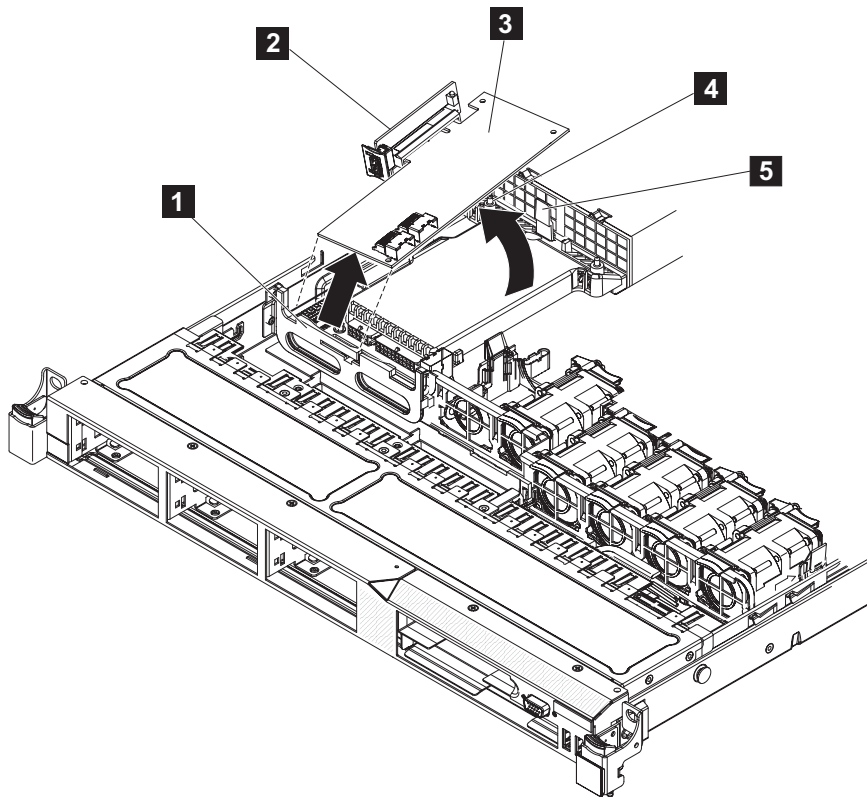


Figure 203. Disengaging the disk-controller front-retention bracket and removing the riser assembly and disk controller

- 1** Disk-controller front-retention bracket
- 2** Disk-controller and USB riser-card assembly
- 3** Disk controller
- 4** Alignment post
- 5** Plastic tab

11. Pull up on the disk controller (**3** in Figure 203 on page 219) until the disk-controller and USB riser-card assembly (**2**) disengages from the connector on the system board.
12. Place the disk-controller and USB riser-card assembly on a flat, static-protective surface.
13. If you are instructed to return the disk-controller and USB riser-card assembly, follow all packaging instructions, and use any packaging materials for shipping that are supplied to you.

Replacing the disk-controller and USB riser-card assembly

You can replace the disk-controller and USB riser-card assembly.

Before you begin

Take precautions to avoid damage from static electricity. Wear an anti-static wrist strap and use a static-protected mat or surface. For more information, see “Handling static-sensitive devices” on page xxi.

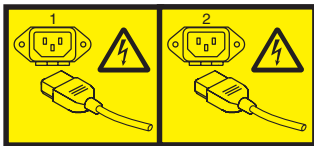
Replacing the SAN Volume Controller 2145-CG8 or 2145-CF8 disk-controller and USB riser-card assembly

You can replace the SAN Volume Controller 2145-CG8 or 2145-CF8 disk-controller and USB riser-card assembly.

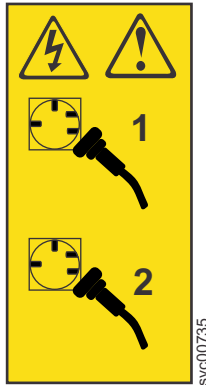
Before you begin

DANGER

Multiple power cords. The product might be equipped with multiple power cords. To remove all hazardous voltages, disconnect all power cords. (L003)



or



or



To correctly perform this task, you must have alcohol wipes and thermal grease available. If you do not already have them, order these separately.

About this task

To replace the disk-controller and USB riser-card assembly, complete the following steps:

Procedure

1. Turn off the node while ensuring that its data is mirrored and synchronized. See MAP 5350 in the *IBM System Storage SAN Volume Controller Troubleshooting Guide* for more information.
2. When the node is completely turned off, remove the power cable-retention brackets and remove the power cables from the rear of the node.
3. After labeling the Fibre Channel cables and the Ethernet cables with their locations, remove all of the cables from the node.
4. Optional: Remove the node from the rack and place it on a flat, static-protective surface. See “Removing the SAN Volume Controller from a rack” on page 47.
5. Remove the top cover. See “Removing the top cover” on page 80.
6. Remove the disk-controller and USB riser-card assembly from its packaging and place the riser-card assembly on a flat, static-protective surface.
7. Install the disk-controller and USB riser-card assembly.
 - a. Tilt the USB riser-card assembly slightly and insert the end of the disk controller in the slot on the retention bracket as shown in the following illustration.

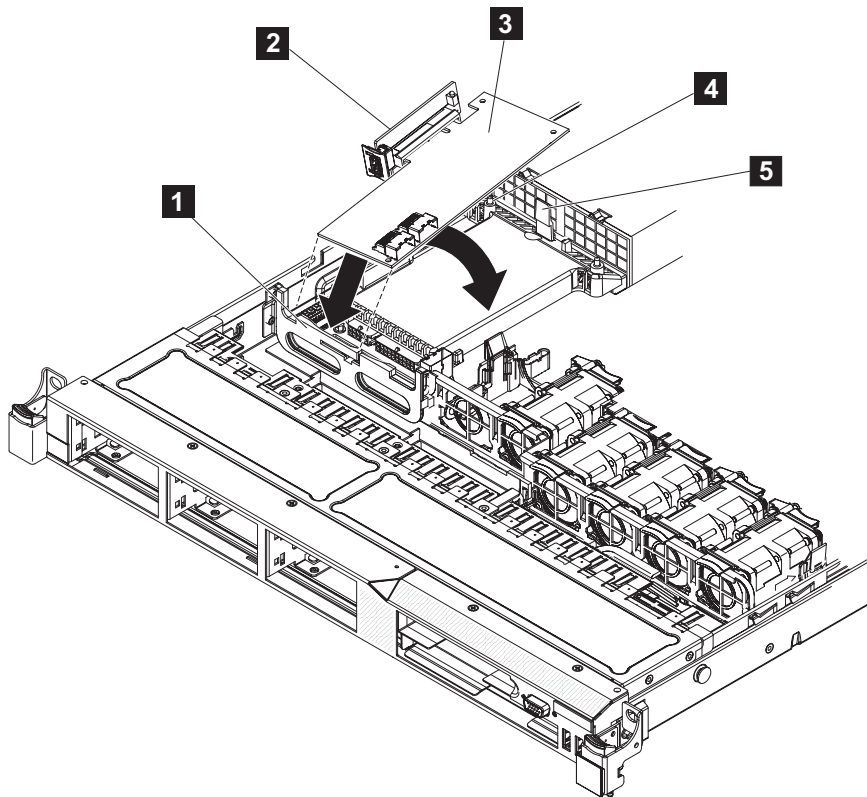


Figure 204. Engaging the disk-controller front-retention bracket and replacing the riser assembly and disk controller

Although the SAN Volume Controller 2145-CF8 is shown in the illustration, the SAN Volume Controller 2145-CG8 also includes the following parts:

- 1 Disk-controller front-retention bracket
- 2 Disk-controller and USB riser-card assembly
- 3 Disk controller
- 4 Alignment post
- 5 Plastic tab

- b. Align the riser-card assembly keys correctly with the connector on the system board and press down on the assembly until it is seated firmly into the connector on the system board.
8. Connect the USB service-controller cable to the USB connector on the USB riser-card assembly, if the cable is not connected, as described in “Removing and replacing the SAN Volume Controller 2145-CG8 or 2145-CF8 service controller cable” on page 91.

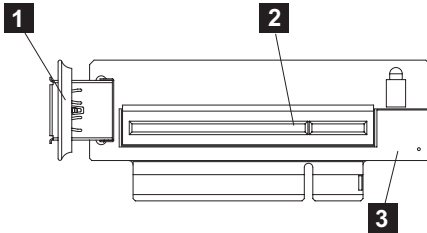


Figure 205. USB riser-card assembly (SAN Volume Controller 2145-CF8 shown)

- 1** USB connector
- 2** Disk-controller connector
- 3** Disk-controller and USB riser-card assembly

Figure 206 on page 223 shows the USB service-controller cable connected to the disk-controller and USB riser-card assembly.

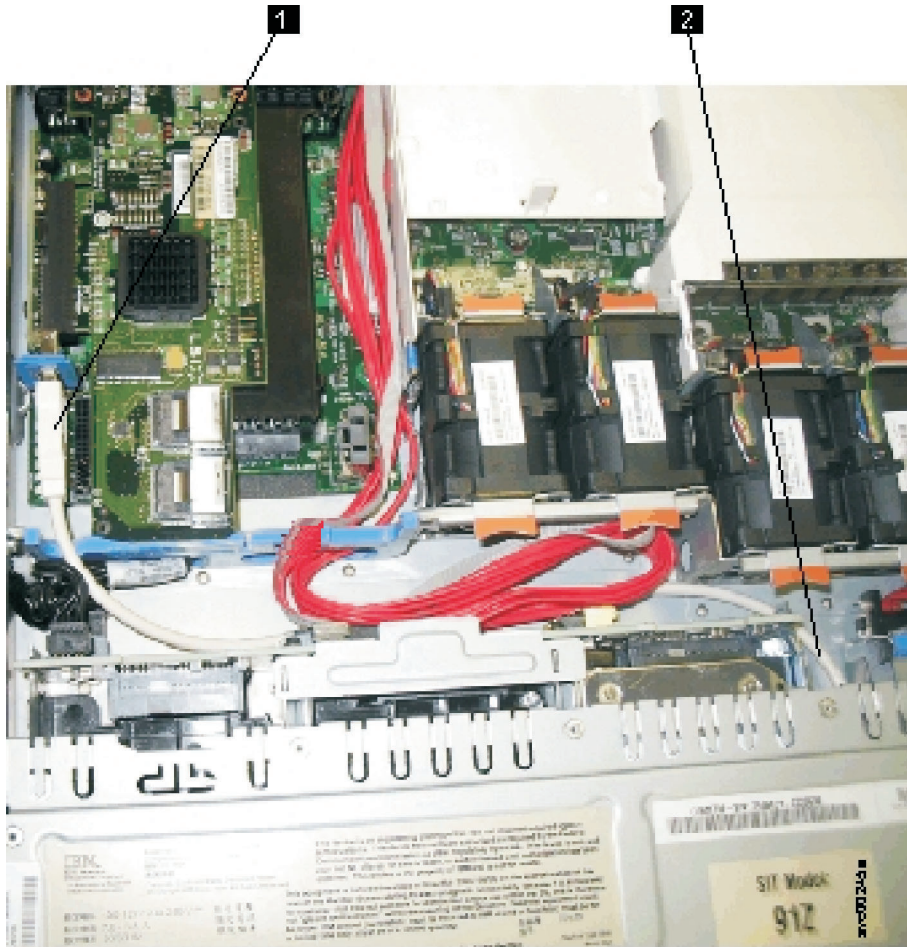


Figure 206. USB service-controller cable connected to the disk controller and USB riser card (SAN Volume Controller 2145-CF8 shown)

- 1 USB service-controller cable attached to the USB riser card
- 2 Service controller cable

9. Connect the SAS boot-drive cable to the connector on the disk controller that is closer to the power supplies.

The boot-drive cable is the cable to drive bays 4 and 5 in the SAN Volume Controller 2145-CF8 node or the cable to the boot-disk backplane in the SAN Volume Controller 2145-CG8 node.

Figure 207 on page 224 shows the boot-disk SAS cable connected to the disk backplane.

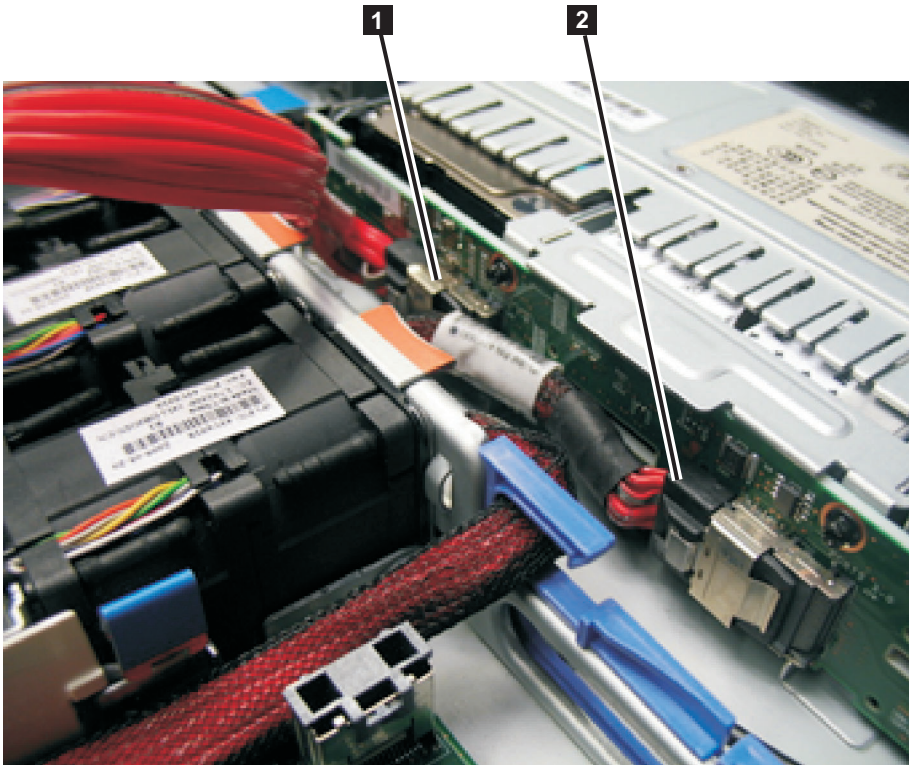


Figure 207. Boot-disk SAS cable and the high-speed SAS cable connected to the disk backplane in the SAN Volume Controller 2145-CG8 or 2145-CF8

The boot-disk cable is shown disconnected from the disk controller so that you can see the connectors on the back of the disk backplane more clearly.

- 1** Boot-disk SAS cable that is plugged into the disk-drive backplane to support drive bay 4
- 2** High-speed SAS-adapter cable that is plugged into the middle of the backplane to support drive bays 0, 1, 2, and 3

Figure 208 on page 225 shows the boot-disk SAS cable connected to the disk controller.

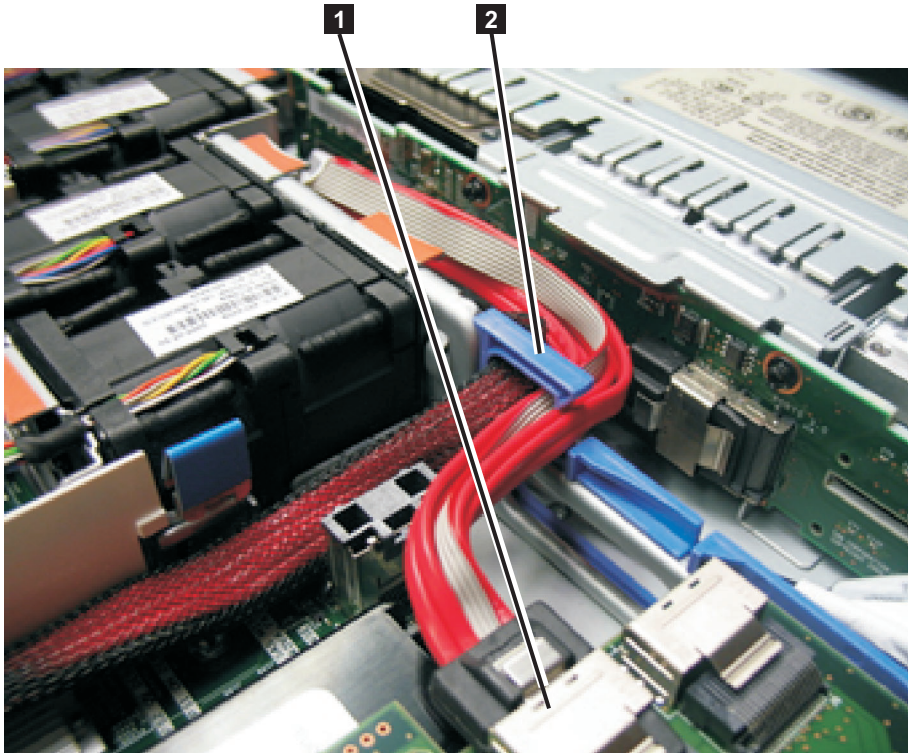


Figure 208. Boot-disk SAS cable routed through the blue bulkhead clip and connected to the SAS disk controller in the SAN Volume Controller 2145-CG8 or 2145-CF8

- 1 Disk-controller cable connected to the disk-controller connector that is closer to the power supplies
 - 2 Blue bulkhead clip with the boot-disk SAS cable and the underlying high-speed SAS adapter cable, if present
10. Replace the top cover. See “Replacing the top cover” on page 85.
 11. Place the node in the rack. See “Replacing the SAN Volume Controller in a rack” on page 58.
 12. Slide the node into the rack.
 13. Reconnect the power cords and the Fibre Channel and Ethernet cables. Ensure that you replace the Fibre Channel and Ethernet cables in the same ports from which they were removed.
 14. Replace the cable-retention bracket. See “Replacing the cable-retention bracket” on page 40.
 15. Replace the cable-management arm. See “Replacing the cable-management arm” on page 30.
 16. Turn on the node.

Removing the PCI express riser card assembly

Use these instructions when you are prompted to remove the SAN Volume Controller PCI express riser card assembly.

Removing the SAN Volume Controller 2145-8A4 PCI express riser card assembly

Use these instructions when you are prompted to remove the SAN Volume Controller 2145-8A4 PCI express riser card assembly.

Before you begin

Note: Take precautions to avoid damage from static electricity. Wear an anti-static wrist strap and use a static-protected mat or surface. For more information, see “Handling static-sensitive devices” on page xxi.

About this task

To remove the SAN Volume Controller 2145-8A4 PCI express riser card assembly, follow the instructions in “Removing the SAN Volume Controller 2145-8A4 Fibre Channel adapter assembly” on page 188.

Removing the SAN Volume Controller 2145-8G4 PCI express riser card assembly

Use these instructions when you are prompted to remove the SAN Volume Controller 2145-8G4 PCI express riser card assembly.

Before you begin

Note: Take precautions to avoid damage from static electricity. Wear an anti-static wrist strap and use a static-protected mat or surface. For more information, see “Handling static-sensitive devices” on page xxi.

About this task

To remove the SAN Volume Controller 2145-8G4 PCI express riser card assembly, follow the instructions in “Removing the SAN Volume Controller 2145-8G4 Fibre Channel adapter assembly” on page 189.

Replacing the PCI express riser-card assembly

Use these instructions when you are prompted to replace the SAN Volume Controller PCI express riser card assembly.

Replacing the SAN Volume Controller 2145-8A4 PCI express riser-card assembly

Use these instructions when you are prompted to replace the SAN Volume Controller 2145-8A4 PCI express riser card assembly.

About this task

Follow the instructions in “Replacing the SAN Volume Controller 2145-8A4 Fibre Channel adapter assembly” on page 195.

Replacing the SAN Volume Controller 2145-8G4 PCI express riser-card assembly

Use these instructions when you are prompted to replace the SAN Volume Controller 2145-8G4 PCI express riser card assembly.

About this task

Follow the instructions in “Replacing the SAN Volume Controller 2145-8G4 Fibre Channel adapter assembly” on page 196.

Removing the operator-information panel assembly

You might be prompted to remove the SAN Volume Controller operator-information panel.

Before you begin

Take precautions to avoid damage from static electricity. Wear an anti-static wrist strap and use a static-protected mat or surface. For more information, see “Handling static-sensitive devices” on page xxi.

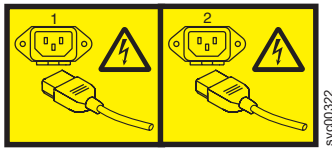
Removing the SAN Volume Controller 2145-CG8 or 2145-CF8 operator-information panel assembly

You can remove the operator-information panel assembly on a SAN Volume Controller 2145-CG8 or 2145-CF8.

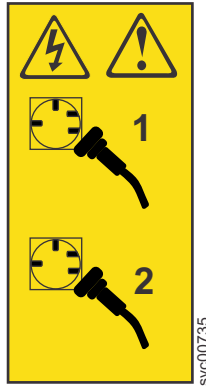
Before you begin

DANGER

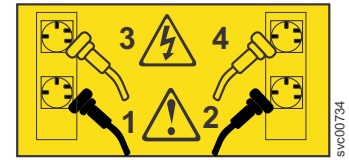
Multiple power cords. The product might be equipped with multiple power cords. To remove all hazardous voltages, disconnect all power cords. (L003)



or



or



About this task

This service action requires you to:

- Turn off the node.
- Disconnect the power cables.

Make careful note of the layout of the cables as you go through this procedure as you must replace them in the same position when you replace the operator-information panel assembly.

Perform the following steps to remove the operator-information panel:

Procedure

1. Read the safety information to which “Preparing to remove and replace parts” on page 26 refers.
2. Follow the procedure in MAP 5350 in the *IBM System Storage SAN Volume Controller Troubleshooting Guide* to verify that the node data is mirrored and synchronized, and that there are no dependent volumes before turning off the node.
3. Slide the node out on its slide rails to the fully extended position.
You can perform most service actions when the node is fully extended from the rack on its slide rails. You can leave the Fibre Channel and Ethernet cables connected, if you are using the cable-management arm and if you are not removing the node from the rack. If the location of the node in the rack is too high or too low to work comfortably, you can remove the node from the rack.
4. When the node is completely turned off, remove the cable-retention brackets and disconnect the power cables, as described in “Removing the cable-retention bracket” on page 34.
5. Optional: If you must remove the node from the rack to work on it, perform the following procedure to remove all cables and remove the node from the rack:
 - a. To make sure that you can replace all cables in the same ports from which they were removed, label the port position of each Fibre Channel and Ethernet cable; then remove all cables from the back of the node.
 - b. Remove the node from the rack and place it on a flat, static-protective surface. See “Removing the SAN Volume Controller from a rack” on page 47.
6. From the rear of the operator-information panel assembly, disconnect the cable.

7. Use an object to push down on the release tab (**2** in Figure 209).
Hold down the release tab and push the blue push point on the rear of the panel toward the front of the node.

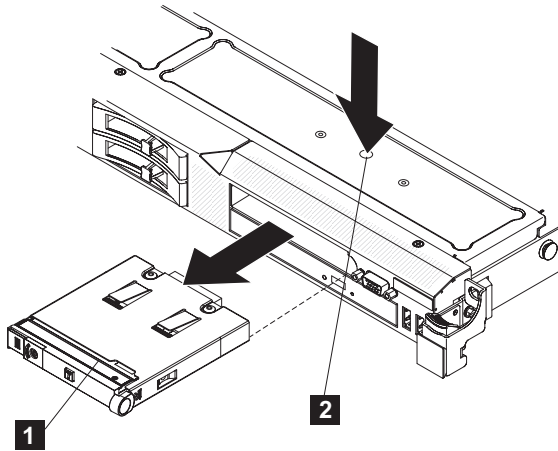


Figure 209. Using the release tab to remove the SAN Volume Controller 2145-CG8 or 2145-CF8 operator-information panel

- 1** Operator-information panel
- 2** Release tab

8. From the front of the node, carefully pull the assembly (**1**) out of the node while you move the assembly slightly from side to side.
9. If you are instructed to return the operator-information panel assembly, follow all packaging instructions, and use any packaging materials for shipping that are supplied to you.

Removing the SAN Volume Controller 2145-8A4 operator-information panel

You might have to remove the operator-information panel on a SAN Volume Controller 2145-8A4 due to required maintenance.

Before you begin

Make careful note of the layout of the cables as you go through this procedure as they will need replacing in the same position when you replace the operator-information panel.

About this task

Perform the following steps to remove the operator-information panel:

Procedure

1. Turn off the node while ensuring that its data is mirrored and synchronized. See MAP 5350 in the *IBM System Storage SAN Volume Controller Troubleshooting Guide* for more information.
2. Remove the cable-retention bracket and disconnect the power cable from the node. See “Removing the cable-retention bracket” on page 34.
3. Remove the node from the rack and place it on a flat, static-protective surface. See “Removing the SAN Volume Controller from a rack” on page 47.
4. Remove the top cover. See “Removing the top cover” on page 80.
5. Remove the screws (**3** in Figure 210 on page 229) that secure the operator-information panel to the CD/DVD bay housing.

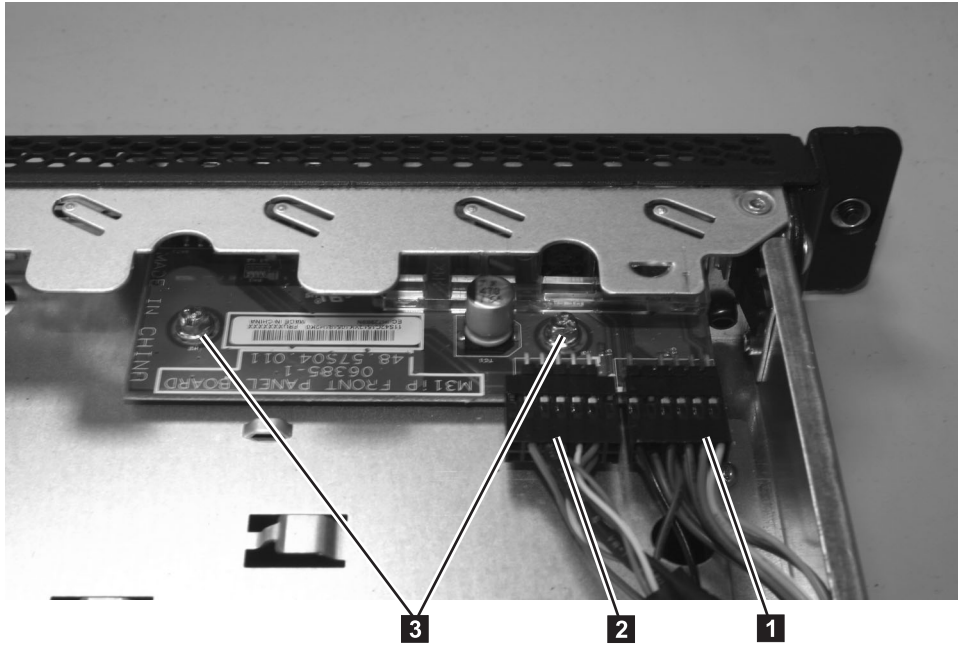


Figure 210. SAN Volume Controller 2145-8A4 operator-information panel

6. Lift the operator-information panel out of the node.
7. Disconnect the light-panel cable **1** and the USB cable **2** from the operator-information panel board, shown in Figure 210.

Removing the SAN Volume Controller 2145-8G4 operator-information panel assembly

You might have to remove the operator-information panel assembly on a SAN Volume Controller 2145-8G4 due to required maintenance.

Before you begin

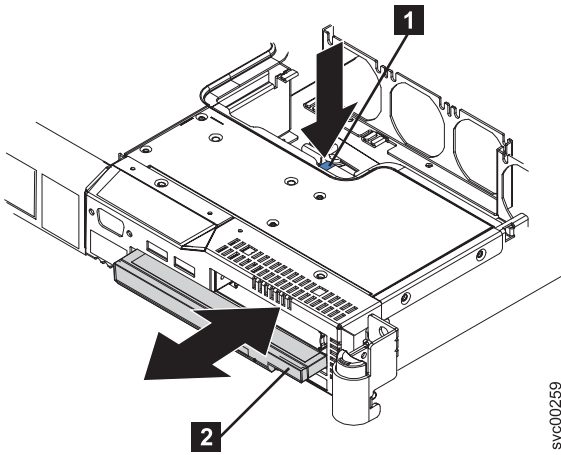
Make careful note of the layout of the cables as you go through this procedure as they will need replacing in the same position when you replace the operator-information panel assembly.

About this task

Perform the following steps to remove the operator-information panel:

Procedure

1. Turn off the node while ensuring that its data is mirrored and synchronized. See MAP 5350 in the *IBM System Storage SAN Volume Controller Troubleshooting Guide* for more information.
2. Remove the cover and open the fan door. See “Removing the top cover” on page 80.
3. Release the dummy CD/DVD drive **2** by pressing the release button **1** and sliding the drive out approximately 2 cm (1 in), as shown in Figure 211 on page 230. It is possible to push the drive from the back to start it moving. Do not remove the drive from the casing.

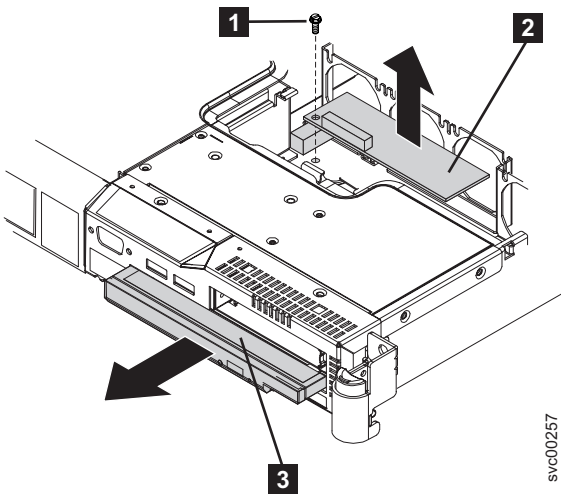


svc00259

Figure 211. SAN Volume Controller 2145-8G4 dummy CD/DVD drive

- 1** Release button
- 2** Dummy CD/DVD drive

4. Remove the CD interposer card (**2** in Figure 212) by unscrewing it, lifting it slightly and then removing the cable from it.



svc00257

Figure 212. Removing the CD interposer card

- 1** Screw
- 2** Interposer card
- 3** Dummy CD/DVD drive

5. Remove fan 3, as shown in Figure 213 on page 231.

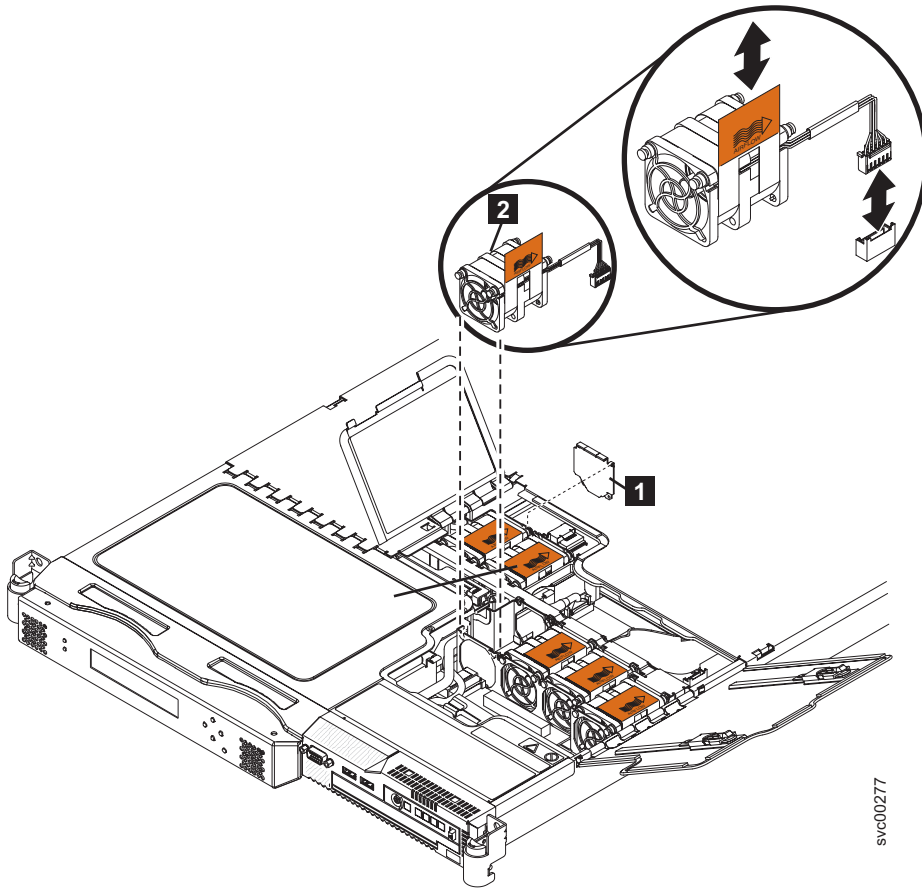
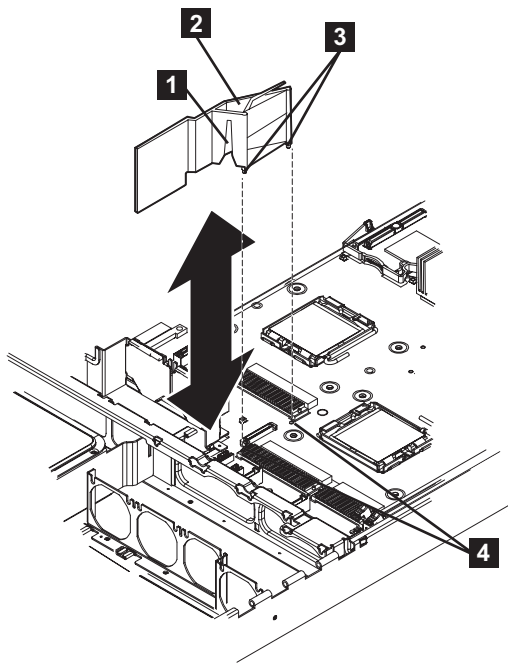


Figure 213. SAN Volume Controller 2145-8G4 fan 3

1 Air baffle

2 Fan 3

6. Remove the air baffle (**2** in Figure 214 on page 232).



svc00250

Figure 214. SAN Volume Controller 2145-8G4 air baffle

- 1** Cable routing slot
- 2** Air baffle
- 3** Baffle pins
- 4** Baffle mounting holes

7. Unplug the video cable **8**, the USB cable **7** and the CD/DVD cable **9** from the system board. There is no need to completely remove these cables. Unplugging them makes it easier to maneuver the light path ribbon cable **4**. In Figure 215 on page 233, the front of the node is at the bottom of the illustration.

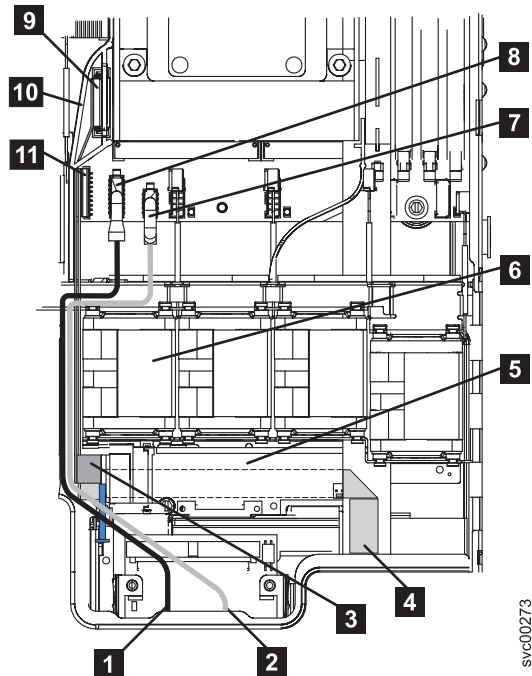
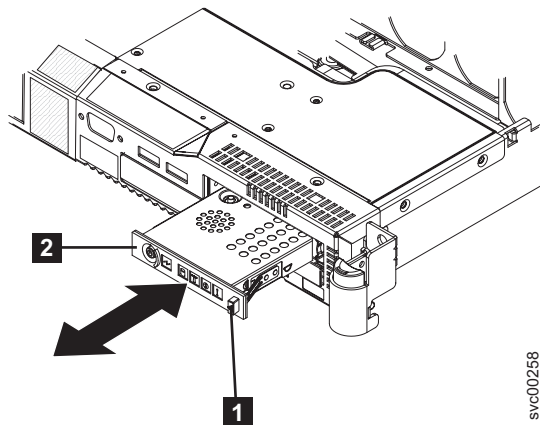


Figure 215. SAN Volume Controller 2145-8G4 video, USB, and the CD/DVD cables

- 1** Video cable
- 2** USB cable
- 3** CD-RW cable
- 4** Light path cable
- 5** Interposer card
- 6** Fan 3
- 7** USB cable connector
- 8** Video cable connector
- 9** CD-RW connector
- 10** Air baffle
- 11** Light path cable connector

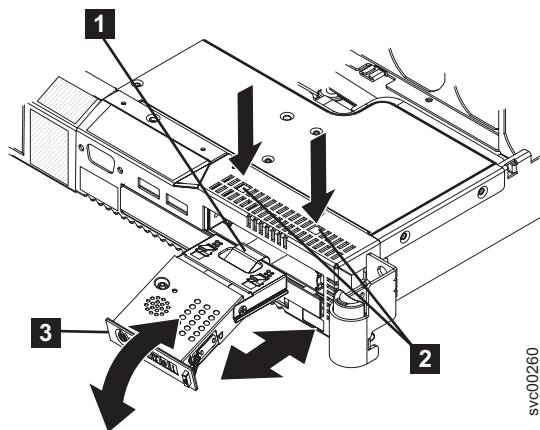
8. Unplug the light path ribbon cable **4** from the system board connector **11** and completely unthread the cable removing it from the three retaining brackets. Also release it from any tape holding it in place. The cable should be free to move forward with the operator-information panel.
9. Press the release button (**1** in Figure 216 on page 234) on the front of the operator-information panel **2** and pull forward until it locks in place.



svc00258

Figure 216. SAN Volume Controller 2145-8G4 operator-information panel

10. Press the two release buttons (**2** in Figure 217) that are visible through the top of the node and pull the assembly **3** completely out of the node. Carefully pull the attached light path ribbon cable **1** out of the server.



svc00260

Figure 217. Removing the SAN Volume Controller 2145-8G4 operator-information panel

Removing the SAN Volume Controller 2145-8F4 or SAN Volume Controller 2145-8F2 operator-information panel

You might have to remove the operator-information panel on a SAN Volume Controller 2145-8F2 or SAN Volume Controller 2145-8F4 due to required maintenance.

About this task

Perform the following steps to remove the operator-information panel:

Procedure

1. Turn off the node while ensuring that its data is mirrored and synchronized. See MAP 5350 in the *IBM System Storage SAN Volume Controller Troubleshooting Guide* for more information.
2. Remove the SAN Volume Controller 2145-8F4 cable retention bracket.
3. To make sure that you can replace all cables in the same ports from which they were removed, record the position of all Fibre Channel and Ethernet cables; then remove all cables from the back of the node.

4. Remove the top cover. See “Removing the top cover” on page 80. If necessary, you might have to remove the node from the rack.
5. Press the operator-information panel release latch (**2** in Figure 218) and slide the operator-information panel away from the SAN Volume Controller 2145-8F2.

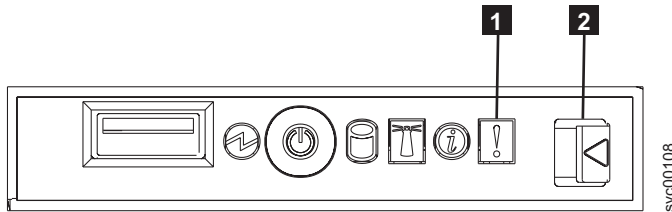


Figure 218. SAN Volume Controller 2145-8F4 operator-information panel

6. Use a small screwdriver to push in the retention springs (**1** in Figure 219) on the sides of the operator-information panel assembly.

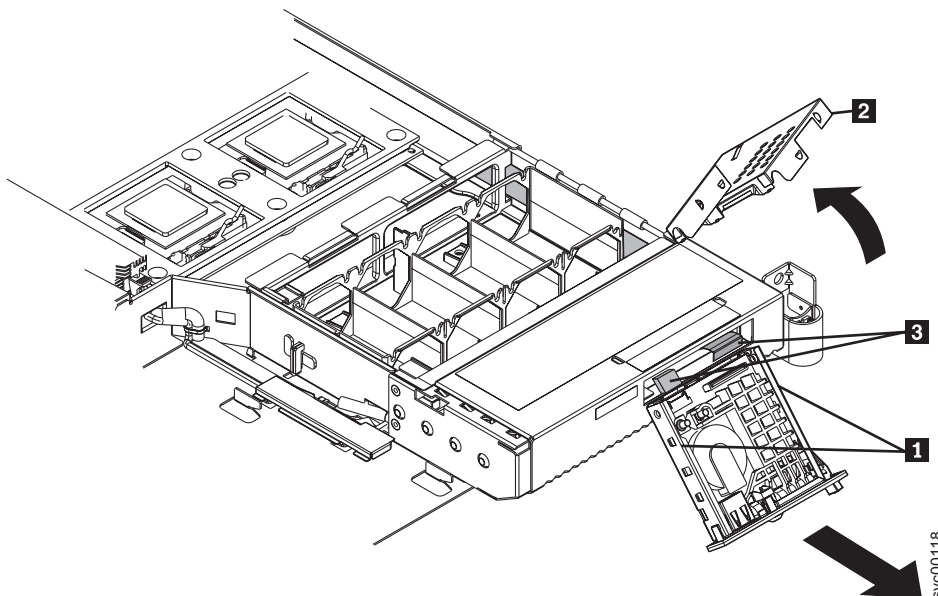


Figure 219. SAN Volume Controller 2145-8F2 with exposed operator-information panel

- 1** Retention springs
- 2** Operator-information panel assembly cover
- 3** Cables

7. Slide the assembly forward and out of the node.
8. Push out on the two sides of the assembly cover to flare it out.
9. Rotate the assembly cover (**2** in Figure 219) up and off of the operator-information panel assembly.
10. Unplug the two cables from the rear of the assembly (**3** in Figure 219).

Replacing the operator-information panel assembly

You might be prompted to replace the SAN Volume Controller operator-information panel assembly.

Before you begin

Take precautions to avoid damage from static electricity. Wear an anti-static wrist strap and use a static-protected mat or surface. For more information, see “Handling static-sensitive devices” on page xxi.

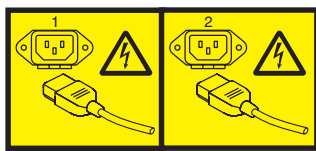
Replacing the SAN Volume Controller 2145-CG8 or 2145-CF8 operator-information panel assembly

You can replace the operator-information panel on a SAN Volume Controller 2145-CG8 or 2145-CF8.

Before you begin

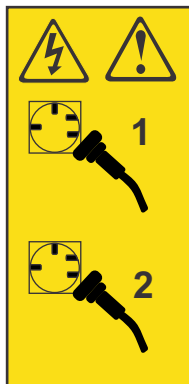
DANGER

Multiple power cords. The product might be equipped with multiple power cords. To remove all hazardous voltages, disconnect all power cords. (L003)



svc00322

or



svc00735

or



svc00734

About this task

This service action assumes that:

- The node is turned off. If you must turn off the node, ensure that its data is mirrored and synchronized, and that there are no dependent volumes, as described in MAP 5350 in the *IBM System Storage SAN Volume Controller Troubleshooting Guide*.
- The power cables are disconnected.
- The top cover is removed.

Perform the following steps to replace the operator-information panel:

Procedure

1. Read the safety information to which “Preparing to remove and replace parts” on page 26 refers.
2. From the front of the node, slide the operator-information panel into the node until it clicks into place.
3. Inside the node, connect the cable to the rear of the operator information panel assembly.

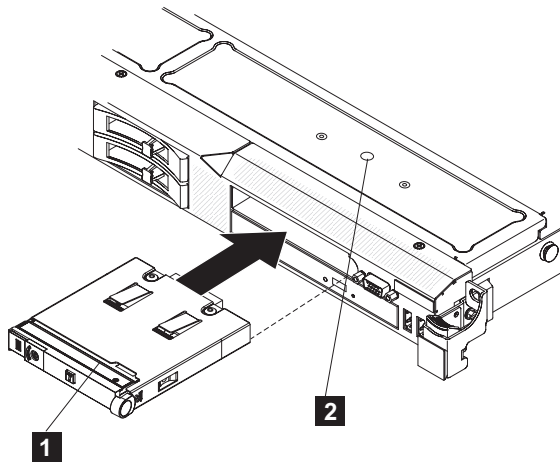


Figure 220. Replacing the SAN Volume Controller 2145-CG8 or 2145-CF8 operator-information panel

- 1** Operator-information panel
- 2** Release tab

The following illustration shows the cable routing for the operator-information panel:

Note: The operation information panel cable should go in above the Video/USB cable in the node.

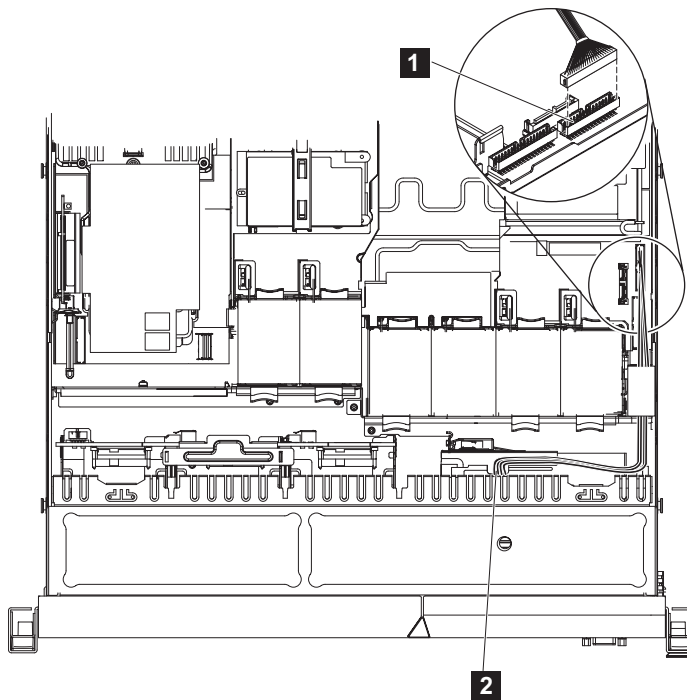


Figure 221. Connecting the SAN Volume Controller 2145-CG8 or 2145-CF8 operator-information panel cable

- 1** Operator-information panel connector
- 2** Operator-information panel cable

4. Replace the top cover. See “Replacing the top cover” on page 85.
5. If you removed the node from the rack, replace the node in the rack, as described in “Replacing the SAN Volume Controller in a rack” on page 58.

6. If you removed any Fibre Channel or Ethernet cables, use the labels you placed on each cable to replace all Fibre Channel and Ethernet cables in the same ports from which they were removed.
7. If you removed the power cords, replace the power cords and the cable-retention brackets, as described in “Replacing the cable-retention bracket” on page 40.
8. Lift the locking levers (**1** in Figure 222) on the slide rails and push the server **2** all the way into the rack until it clicks into place.

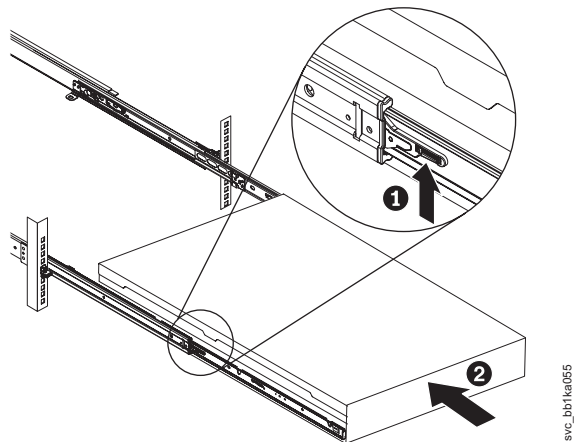


Figure 222. Raising the SAN Volume Controller 2145-CF8 or 2145-CG8 locking levers of the slide rails of the rack

9. Turn on the node.

Replacing the SAN Volume Controller 2145-8A4 operator-information panel

You might have to replace the operator-information panel assembly on a SAN Volume Controller 2145-8A4 due to required maintenance.

About this task

Perform the following steps to replace the operator-information panel:

Procedure

1. Connect the light panel cable **1** and the front USB cable **2**, shown in Figure 223 on page 239, to the operator-information panel board.

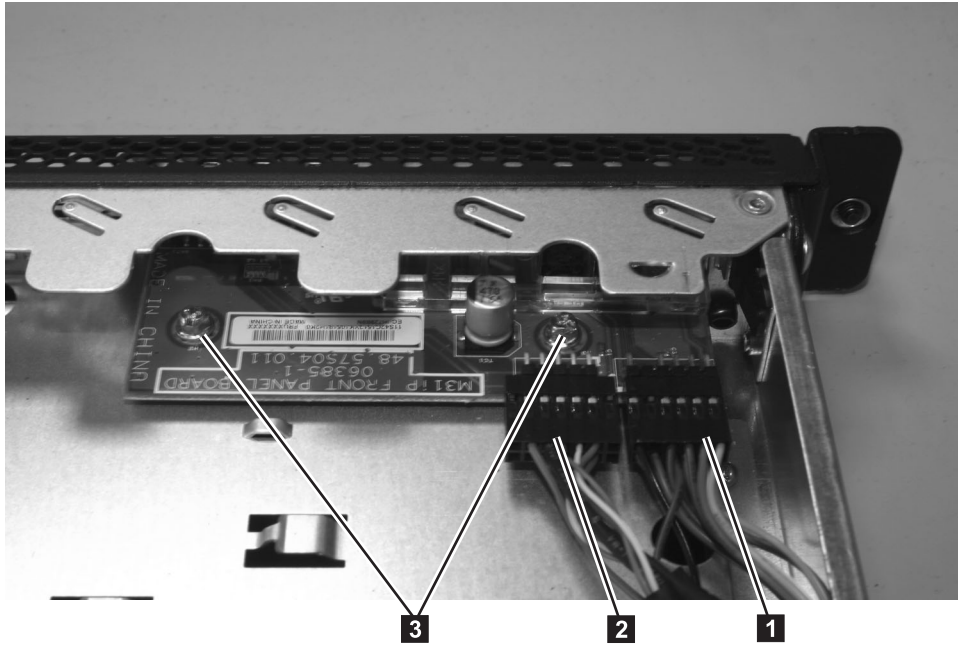


Figure 223. SAN Volume Controller 2145-8A4 operator-information panel

2. Guide the operator-information panel into position on top of the CD/DVD bay housing. Make sure that the LEDs and the USB connectors are aligned with the openings in the bezel and that the holes in the board align with the screw holes in the top of the bay housing.
3. Tighten the screws **3** to secure the operator-information panel onto the top of the CD/DVD bay housing.
4. Replace the top cover. See “Replacing the top cover” on page 85.
5. Place the node in the rack. See “Replacing the SAN Volume Controller in a rack” on page 58.
6. Connect the power cable to the node and replace the cable-retention bracket. See “Replacing the cable-retention bracket” on page 40.
7. Turn on the node.

Replacing the SAN Volume Controller 2145-8G4 operator-information panel assembly

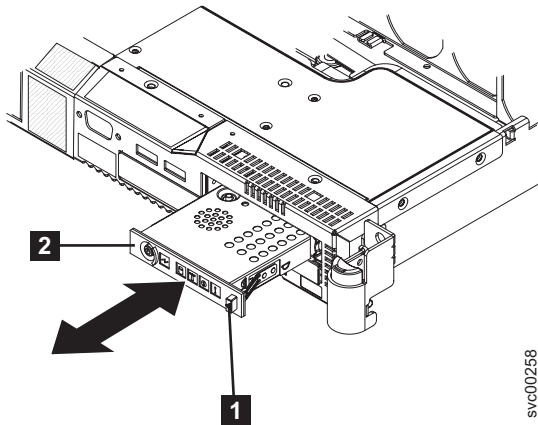
You might have to replace the operator-information panel on a SAN Volume Controller 2145-8G4 due to required maintenance.

About this task

Perform the following steps to replace the operator-information panel:

Procedure

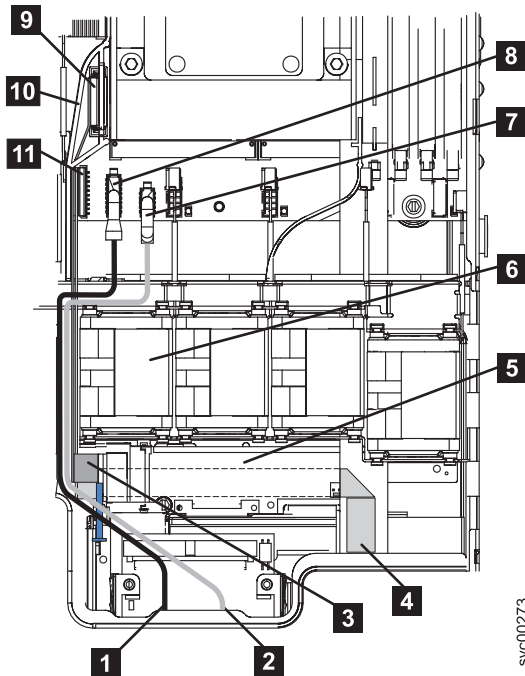
1. From the front of the node, thread the light path ribbon cable through the panel housing in the node.
2. Slide the operator-information panel into its cage, as shown in Figure 224 on page 240, until it locks in place with a click (in the In position); gently pull the cable through at the back as you do this.



svc00258

Figure 224. SAN Volume Controller 2145-8G4 operator-information panel

- 1** Release button
 - 2** Operator-information panel
3. Carefully thread the light path assembly ribbon cable **4** back under its retaining brackets and replace the tape securing it in place.
 4. Thread the light path assembly ribbon cable **4** back to the system board. Reconnect the cable to the system board socket **11**. In Figure 225, the front of the node is shown at the bottom of the illustration. The connectors on the cable plug go towards the center of the node and the blue side is towards the outside of the node.



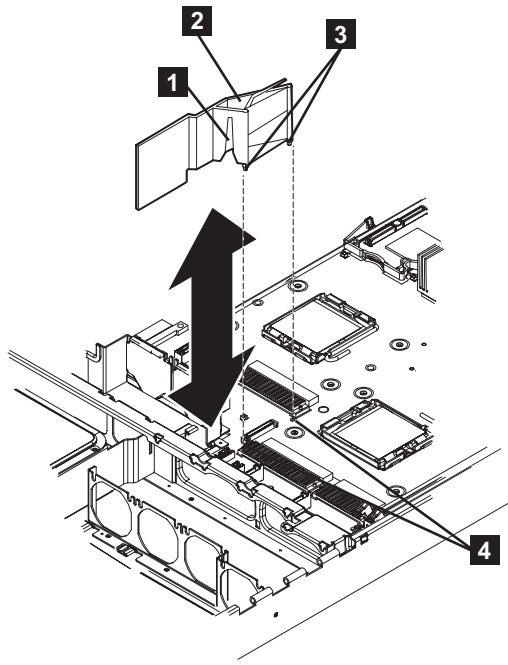
svc00273

Figure 225. SAN Volume Controller 2145-8G4 video, USB, and the CD/DVD cables

- 1** Video cable
- 2** USB cable
- 3** CD-RW cable

- 4** Light path cable
- 5** Interposer card
- 6** Fan 3
- 7** USB cable connector
- 8** Video cable connector
- 9** CD-RW connector
- 10** Air baffle
- 11** Light path cable connector

5. Reconnect the video cable **8**, the USB cable **7** and the CD/DVD cable **9** to the system board.
6. Replace the air baffle **2**. It is easier to do this if you remove fan 2. Ensure that all the cables are routed correctly, as shown in Figure 226, and not obstructing the fan doors.

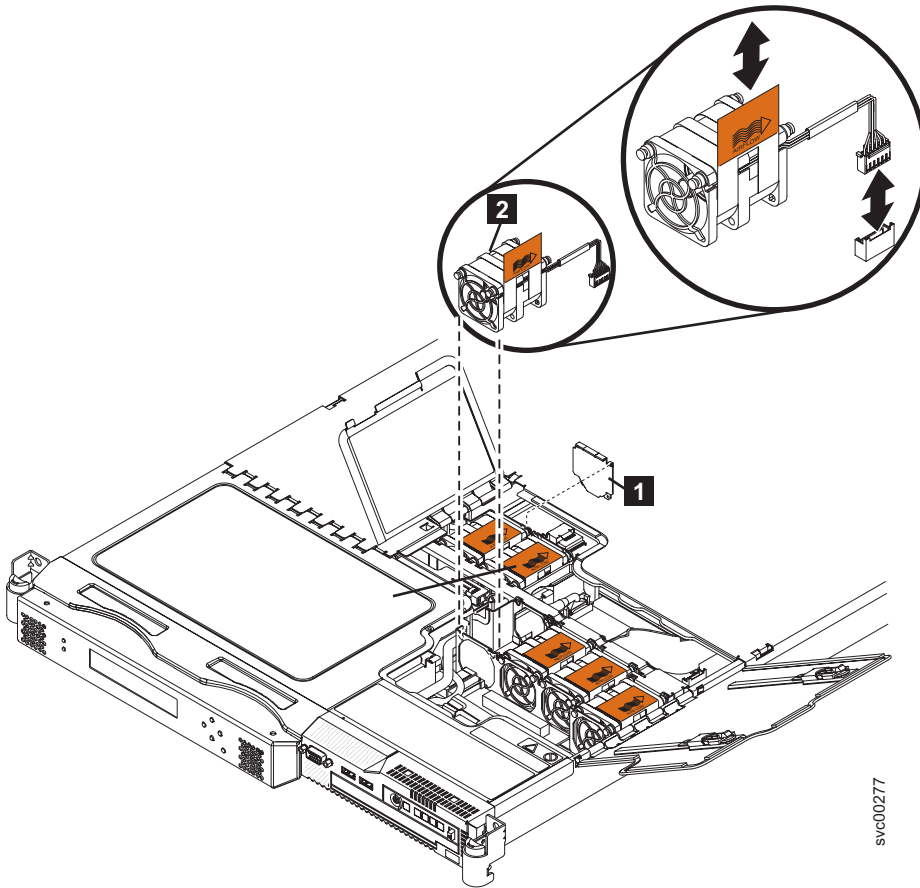


svc00250

Figure 226. SAN Volume Controller 2145-8G4 air baffle

- 1** Cable routing slot
- 2** Air baffle
- 3** Baffle pins
- 4** Baffle mounting holes

7. Replace fan 3 as shown in Figure 227 on page 242.



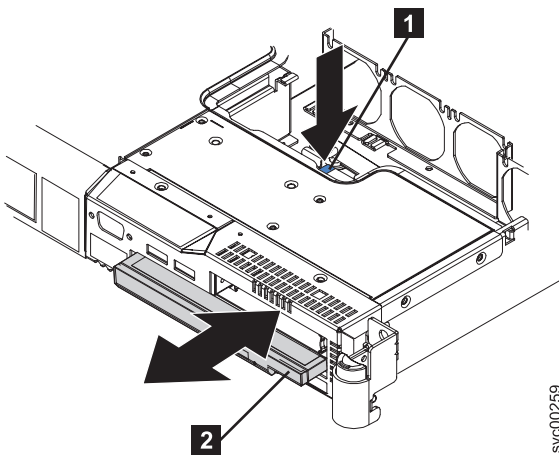
svc00277

Figure 227. SAN Volume Controller 2145-8G4 fan 3

1 Air baffle

2 Fan 3

8. Reconnect the CD cable to the interposer card, locating the pins on the right hand side; then, mount the card to the node with the screw that you removed.
9. Slide the dummy CD/DVD drive **2** back into its enclosure.



svc00259

Figure 228. SAN Volume Controller 2145-8G4 dummy CD/DVD drive

- 1** Release button
 - 2** Dummy CD/DVD drive
10. Ensure that the fan door still closes; realign the cable if it does not.
 11. Reopen the fan door and replace the cover; close all doors.
 12. Replace the node in the rack, reconnect all cables, and power on the node.

Replacing the SAN Volume Controller 2145-8F2 or SAN Volume Controller 2145-8F4 operator-information panel

You might have to replace the operator-information panel on a SAN Volume Controller 2145-8F2 or SAN Volume Controller 2145-8F4 due to required maintenance.

About this task

Perform the following steps to replace the operator-information panel:

Procedure

1. Plug in the two cables on the rear of the assembly **1**. See Figure 229.

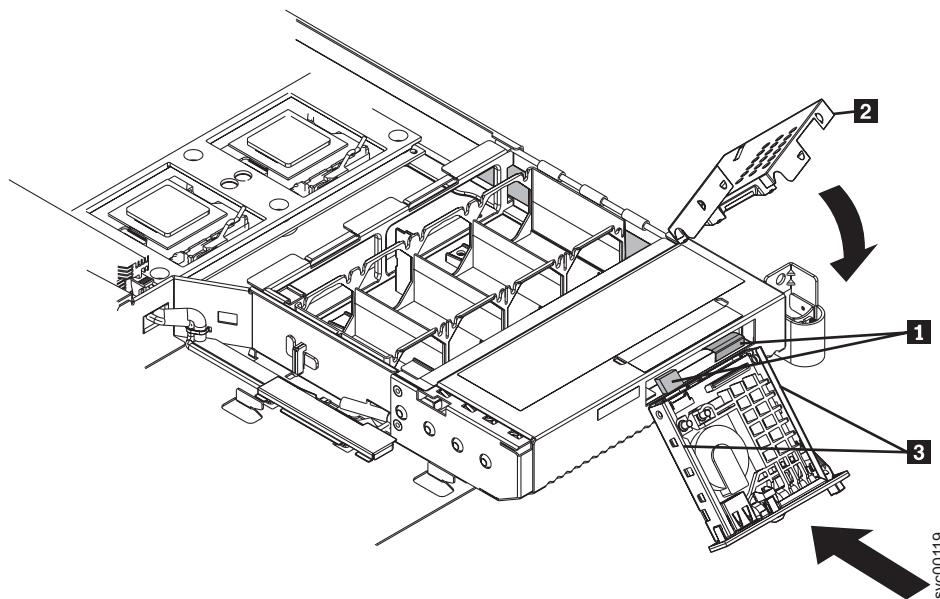


Figure 229. Replacing the operator-information panel

- 1** Cables
 - 2** Operator-information panel assembly cover
2. Replace the assembly cover **2** onto the operator-information panel assembly.
 3. Slide the assembly into the node until it is firmly anchored.
 4. Replace the top cover and replace the node in the rack, if necessary.
 5. Connect all power cords and external cables to the back of the server.
 6. Turn on the node.

Removing the operator-information panel cable

Use these instructions when you are prompted to remove the operator-information panel cable.

Before you begin

Take precautions to avoid damage from static electricity. Wear an anti-static wrist strap and use a static-protected mat or surface. For more information, see “Handling static-sensitive devices” on page xxi.

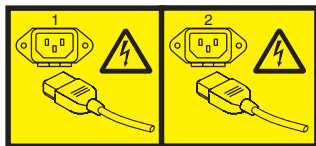
Removing the SAN Volume Controller 2145-CG8 or 2145-CF8 operator-information panel cable

Use these instructions when you are prompted to remove the operator-information panel cable from the SAN Volume Controller 2145-CG8 or 2145-CF8.

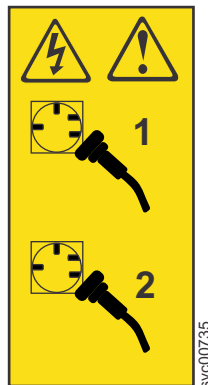
Before you begin

DANGER

Multiple power cords. The product might be equipped with multiple power cords. To remove all hazardous voltages, disconnect all power cords. (L003)



or



or



About this task

This service action assumes that:

- The node is turned off. If you must turn off the node, ensure that its data is mirrored and synchronized, and that there are no dependent volumes, as described in MAP 5350 in the *IBM System Storage SAN Volume Controller Troubleshooting Guide*.
- The power cables are disconnected.
- The top cover is removed.

Perform the following steps to remove the operator-information panel cable:

Procedure

1. Read the safety information to which “Preparing to remove and replace parts” on page 26 refers.
2. Disconnect the cable from the rear of the operator-information panel.
3. Disconnect the cable from the connector above the Video/USB cable connector on the right side of the node, as shown in Figure 230 on page 245.

The following illustration shows the cable routing for the operator-information panel cable.

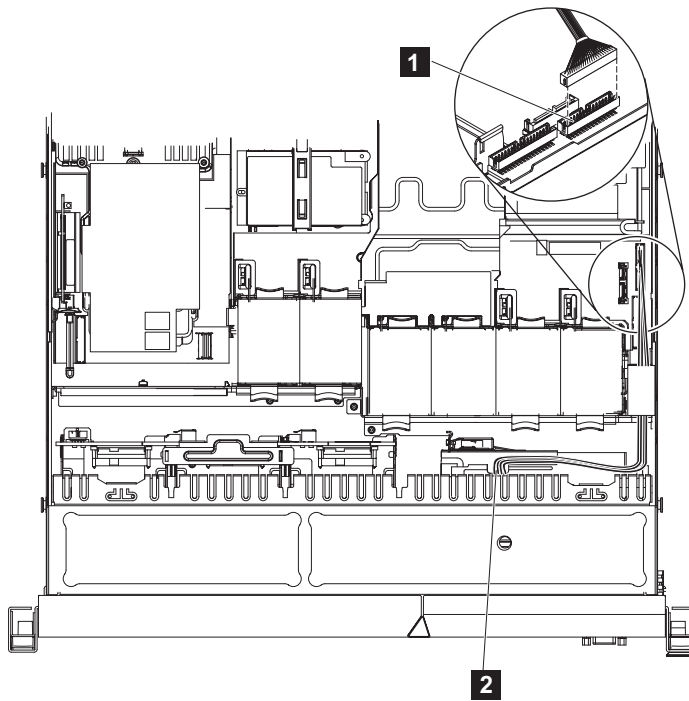


Figure 230. Disconnecting the SAN Volume Controller 2145-CG8 or 2145-CF8 operator-information panel cable

- 1** Operator-information panel connector
- 2** Operator-information panel cable

4. Lift the cable from the node.
5. Replace the cable before proceeding.

Removing the SAN Volume Controller 2145-8A4 operator-information panel cable

Use these instructions when you are prompted to remove the operator-information panel cable from the SAN Volume Controller 2145-8A4.

Before you begin

Make careful note of the layout of the cables as you go through this procedure as they will need replacing in the same position when you replace the operator-information panel cable.

Attention: It is easier to remove the operator-information panel cable if you first remove the service controller, disk drive, and the backplane. If you decide to do that, see “Removing the disk drive” on page 113 before using this procedure.

About this task

Perform the following steps to remove the operator-information panel cable:

Procedure

1. Turn off the node while ensuring that its data is mirrored and synchronized. See MAP 5350 in the *IBM System Storage SAN Volume Controller Troubleshooting Guide* for more information.
2. Remove the cable-retention bracket and disconnect the power cable. To make sure that you can replace all cables in the same ports from which they were removed, record the position of all Fibre Channel and Ethernet cables; then remove all external cables from the node. See “Removing the cable-retention bracket” on page 34.

3. Remove the node from the rack and place it on a flat, static-protective surface. See “Removing the SAN Volume Controller from a rack” on page 47.
4. Optionally, remove the service controller and pull the disk drive slightly out of the node to disengage it from the backplane. You can then lift the backplane out of the way when you remove the cable.
5. Remove the top cover. See “Removing the top cover” on page 80.
6. Disconnect the light-panel cable **1** and the USB cable **2** from the operator-information panel board shown in Figure 231.

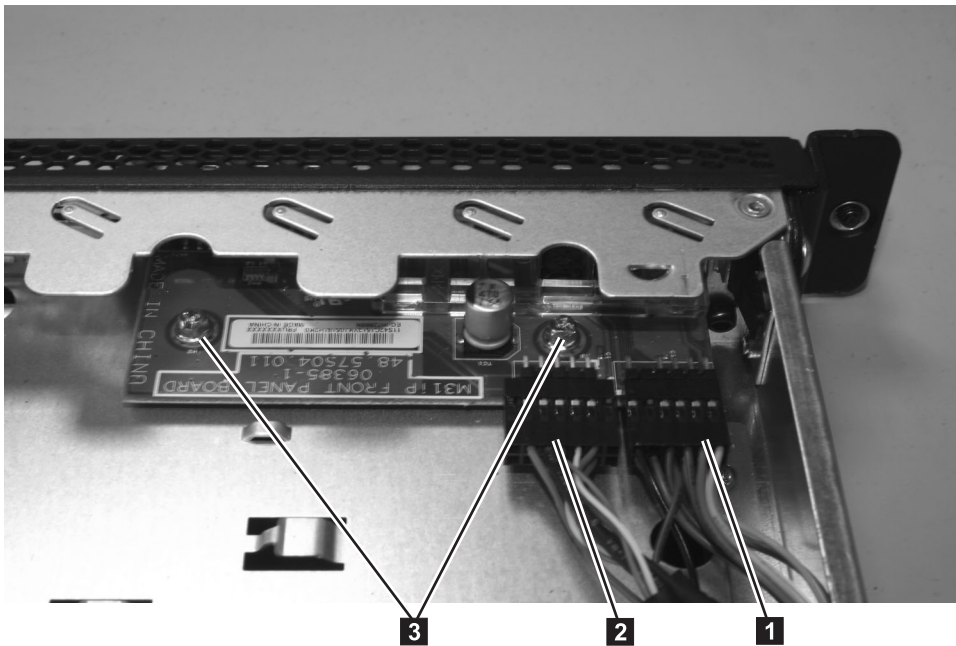


Figure 231. SAN Volume Controller 2145-8A4 operator-information panel

7. The operator-information panel cable consists of two thick cables and a number of thinner cables that are bundled together and routed through the chassis. It provides connectivity for the operator-information panel and the front USB ports. Trace this cable assembly through to the right side of the system board (next to the power supply) and disconnect the Front USB connector **1** and the operator-information panel connector **2** from the system board shown in Figure 232 on page 247.

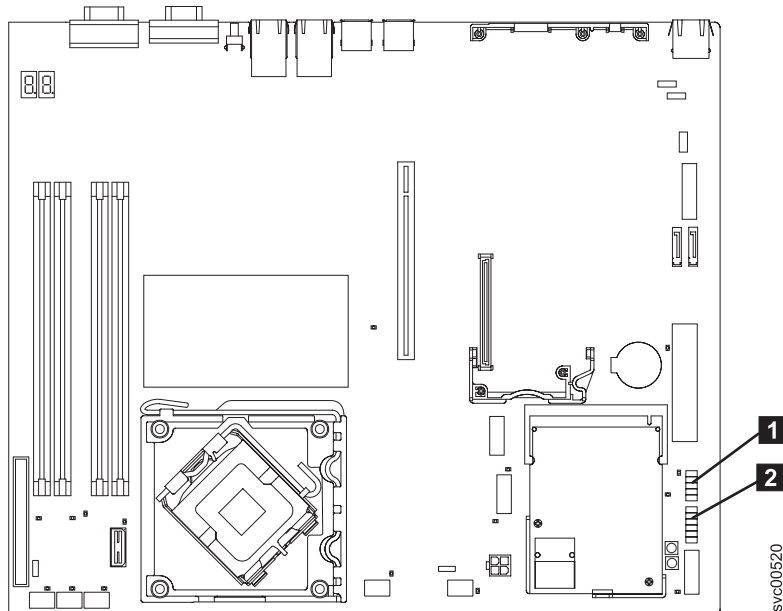


Figure 232. Connectors for the operator-information panel on the SAN Volume Controller 2145-8A4 system board

- 1** Front USB connector
- 2** Operator-information panel connector

8. Rotate (lift) the air deflector out of the way. It is easier to access the cable if you lift the backplane out of the way. You do not need to remove either SATA disk cable.
9. Remove the operator-information panel cable assembly from the retention-clip next to the air deflector, but leave the power-supply cable in the retention-clip.
10. A tie-wrap holds the cable assembly to the mounting bracket for the rightmost fan (when viewed from the front of the node and ignoring the fan on the power supply). Cut this tie-wrap to release the cable assembly.
11. Carefully extract the cable assembly from the node. To do this, you must displace other cables; particularly, the optical drive cables, power-supply cables, and the SATA cables. Minimize disruption to these cables as much as possible.

Replacing the operator-information panel cable

Use these instructions when you are prompted to replace the operator-information panel cable.

Before you begin

Take precautions to avoid damage from static electricity. Wear an anti-static wrist strap and use a static-protected mat or surface. For more information, see “Handling static-sensitive devices” on page xxi.

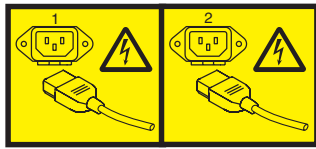
Replacing the SAN Volume Controller 2145-CG8 or 2145-CF8 operator-information panel cable

Use these instructions when you are prompted to replace the operator-information panel cable for the SAN Volume Controller 2145-CG8 or 2145-CF8.

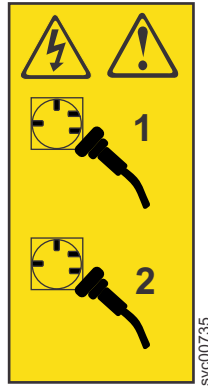
Before you begin

DANGER

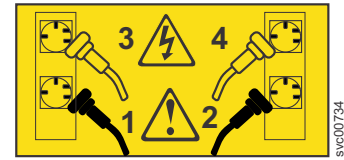
Multiple power cords. The product might be equipped with multiple power cords. To remove all hazardous voltages, disconnect all power cords. (L003)



or



or



About this task

This service action assumes that:

- The node is turned off. If you must turn off the node, ensure that its data is mirrored and synchronized, and that there are no dependent volumes, as described in MAP 5350 in the *IBM System Storage SAN Volume Controller Troubleshooting Guide*.
- The power cables are disconnected.
- The top cover is removed.

Perform the following steps to replace the operator-information panel cable:

Procedure

1. Read the safety information to which “Preparing to remove and replace parts” on page 26 refers.
2. Thread the new cable from the operator-information panel to the connector above the Video/USB cable connector on the right side of the node, as shown in Figure 233 on page 249.

The following illustration shows the cable routing for the operator-information panel cable.

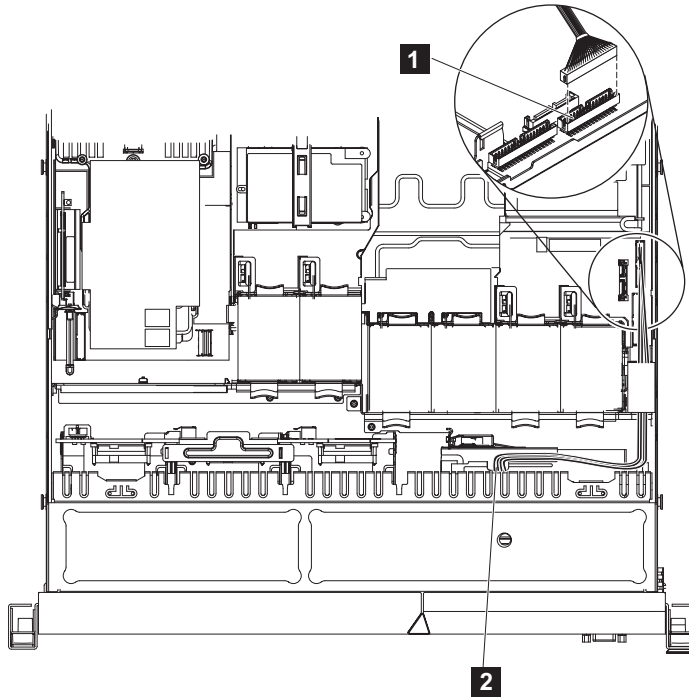


Figure 233. Connecting the SAN Volume Controller 2145-CG8 or 2145-CF8 operator-information panel cable

- 1** Operator-information panel connector
 - 2** Operator-information panel cable
3. Connect the cable to the connector above the Video/USB cable connector on the right side of the node, as shown in Figure 233.
 4. Connect the cable to the rear of the operator-information panel.
 5. Replace the top cover. See “Replacing the top cover” on page 85.
 6. If you removed the node from the rack, replace the node in the rack, as described in “Replacing the SAN Volume Controller in a rack” on page 58.
 7. If you removed any Fibre Channel or Ethernet cables, use the labels you placed on each cable to replace all Fibre Channel and Ethernet cables in the same ports from which they were removed.
 8. If you removed the power cords, replace the power cords and the cable-retention brackets, as described in “Replacing the cable-retention bracket” on page 40.
 9. Lift the locking levers (**1** in Figure 234 on page 250) on the slide rails and push the server **2** all the way into the rack until it clicks into place.

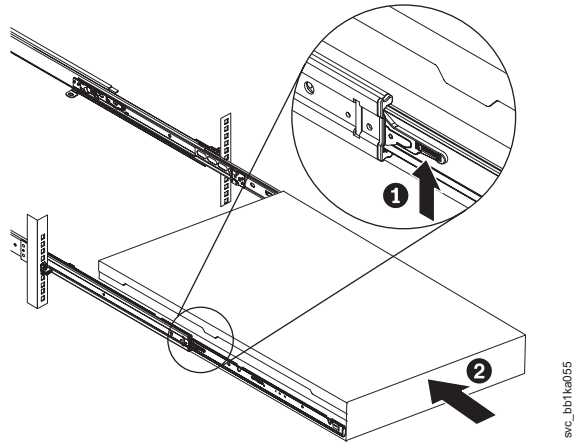


Figure 234. Raising the SAN Volume Controller 2145-CF8 or 2145-CG8 locking levers of the slide rails of the rack

10. Turn on the node.

Replacing the SAN Volume Controller 2145-8A4 operator-information panel cable

Use these instructions when you are prompted to replace the operator-information panel cable for the SAN Volume Controller 2145-8A4.

About this task

Perform the following steps to replace the operator-information panel cable:

Procedure

1. Connect the two connectors at one end of the operator-information panel cable assembly to the Front USB connector **1** and the Operator-information panel connector **2** on the system board. The connectors are keyed and it is important to insert the correct connector on the cable assembly onto the correct connector on the system board.

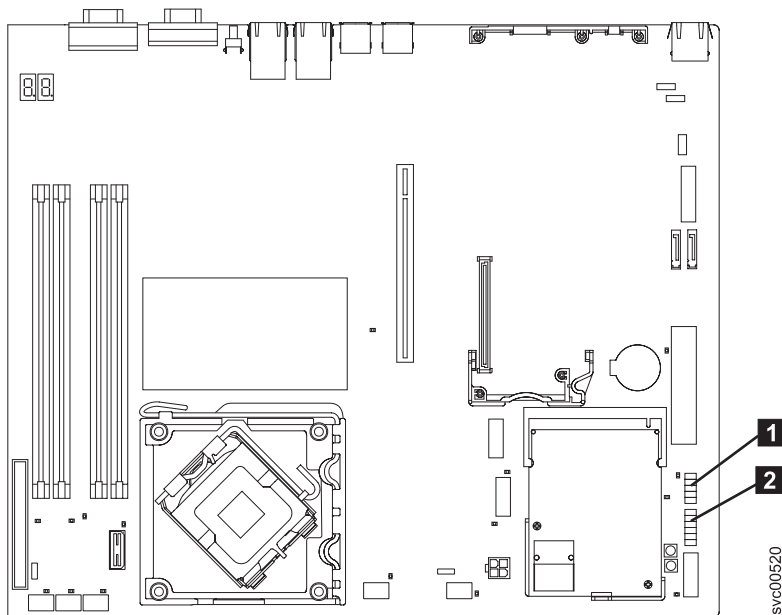


Figure 235. Connectors for the operator-information panel on the SAN Volume Controller 2145-8A4 system board

- 1** Front USB connector
 - 2** Operator-information panel connector
2. Route the operator-information panel cable into position along the same path that it was removed from:
 - a. Pass to the right of the mounting bracket for the rightmost fan (when viewed from the front of the node and ignoring the fan on the power supply).
 - b. Go between the fans and the disk drive backplane, under the cable retention-clip, and around the processor fans to the left side of the node.
 - c. Bring it forward to the operator-information panel.
 3. Use a tie-wrap to hold the cable assembly to the lower right front corner of the mounting bracket for the rightmost fan.
 4. Connect the two connectors on the other end of the cable to the connectors on the operator-information panel board. The connectors are keyed and it is important to insert the correct connector on the cable onto the correct connector on the operator-information panel board.
 5. If the backplane was removed, replace the backplane, disk drive, and service controller. See “Removing the disk-drive backplane” on page 130.
 6. Rotate the air deflector back into place, making sure not to pinch any cables beneath it, and press it down firmly. Ensure that any other cable that was unplugged or moved is returned to its original position and does not obstruct the top cover of the node.
 7. Replace the top cover. See “Replacing the top cover” on page 85.
 8. Place the node in the rack. See “Replacing the SAN Volume Controller in a rack” on page 58.
 9. Connect the power cable to the node and replace the cable-retention bracket. See “Replacing the cable-retention bracket” on page 40.

Removing the fans

The SAN Volume Controller fans might have to be replaced due to failure.

Removing the SAN Volume Controller 2145-CG8 or 2145-CF8 fans

You can remove a SAN Volume Controller 2145-CG8 or 2145-CF8 fan.

Before you begin

Take precautions to avoid damage from static electricity. Wear an anti-static wrist strap and use a static-protected mat or surface. For more information, see “Handling static-sensitive devices” on page xxi.

About this task

Important: You can hot swap a fan. However, using MAP 5350 to power off the node through proven methods avoids risking an abrupt power failure on the node, which avoids the possible corruption of data.

Perform the following steps to remove a failed fan:

Procedure

1. Read the safety information to which “Preparing to remove and replace parts” on page 26 refers.
2. Optional: Follow the procedure in MAP 5350 in the *IBM System Storage SAN Volume Controller Troubleshooting Guide* to verify that the node data is mirrored and synchronized, and that there are no dependent volumes before turning off the node.

Important: If you decide to hot swap the fan, use MAP 5350 to make all of the necessary checks that ensure that the partner node in the I/O group can take over all I/O group operations, if necessary,

and that there are no dependent volumes (VDisks) on the node. With the partner node available and no dependent volumes on the node, you do not lose access to data if this node accidentally powers off.

- Slide the node forward to remove the cover and expose the fans, as described in “Removing the SAN Volume Controller 2145-CG8 or 2145-CF8 top cover” on page 80.

Figure 236 shows fan locations within the SAN Volume Controller 2145-CG8 or 2145-CF8 node.

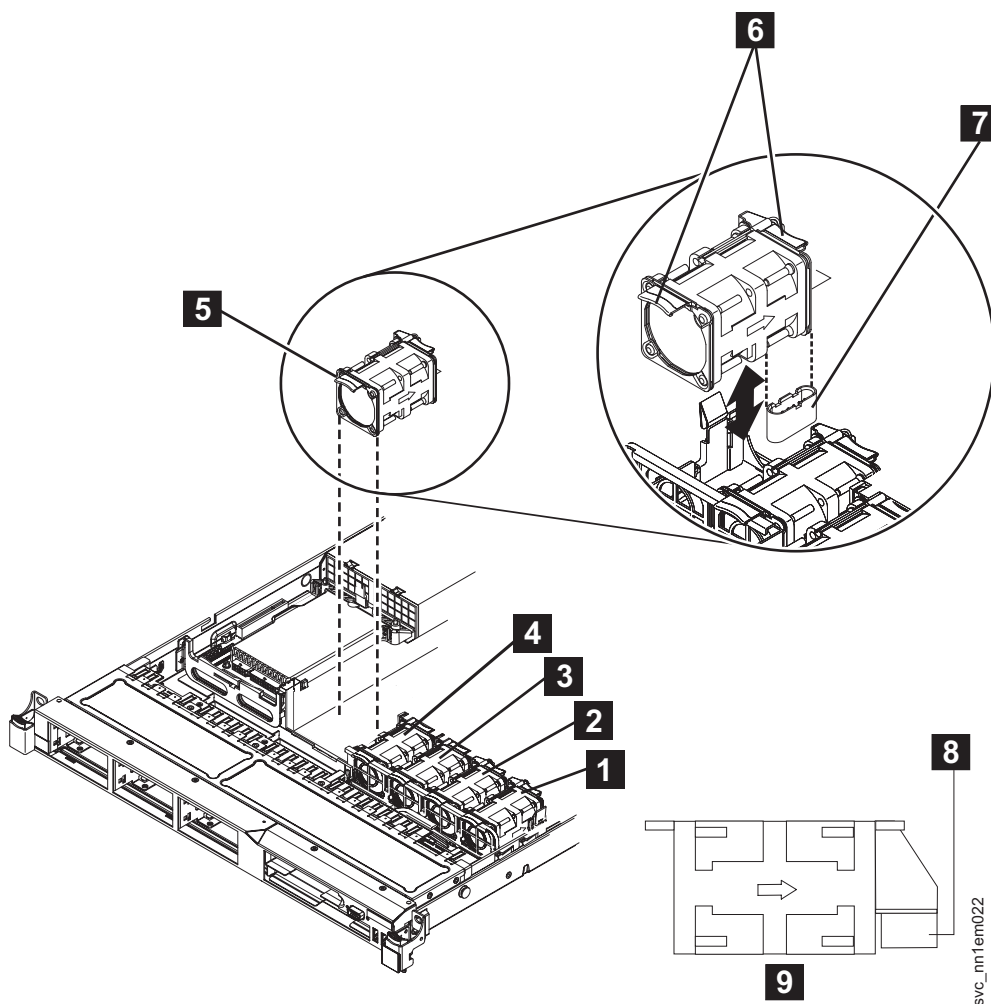


Figure 236. SAN Volume Controller 2145-CG8 or 2145-CF8 fan locations and connectors

- 1** Fan 1
- 2** Fan 2
- 3** Fan 3
- 4** Fan 4
- 5** Fan 5
- 6** Fan 6
- 7** Fan tabs
- 8** Fan connector on the system board
- 9** Fan connector
- 10** Side view of fan showing air-flow indicator

The node has six fan positions that are numbered right to left. The LED near the connector of the failing fan assembly is lit, unless you remove the power cable.

4. Grasp the orange fan tabs on both ends of the existing fan and pull it up out of the node. If you are removing fans 3 or 4, lift up the clear tab on the DIMM air baffle first.

Figure 237 shows a fan being removed from the node.

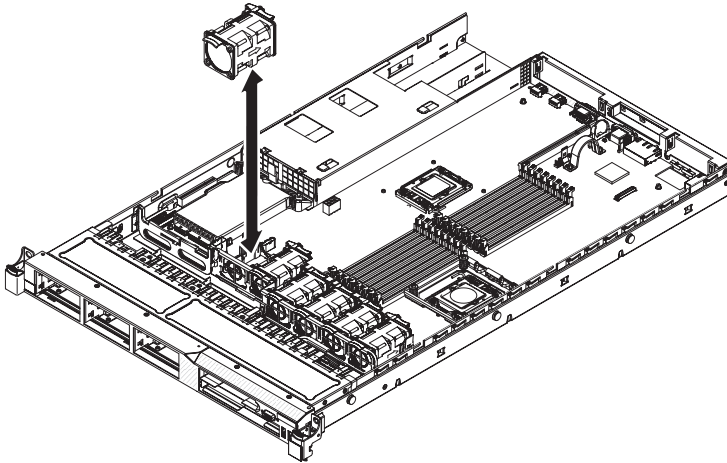


Figure 237. Removing or replacing a fan in the SAN Volume Controller 2145-CG8 or 2145-CF8 node

Attention: To ensure proper operation, replace a failed fan within 30 seconds.

5. If you are instructed to return the fan, follow all of the packaging instructions, and use any packaging materials for shipping that are supplied to you.

Removing the SAN Volume Controller 2145-8A4 fans

Before you begin

Take precautions to avoid damage from static electricity. Wear an anti-static wrist strap and use a static-protected mat or surface. For more information, see “Handling static-sensitive devices” on page xxi.

About this task

Perform the following steps to remove a failed fan:

Procedure

1. Turn off the node while ensuring that its data is mirrored and synchronized. See MAP 5350 in the *IBM System Storage SAN Volume Controller Troubleshooting Guide* for more information.
2. Remove the cable-retention bracket and disconnect the power cable from the node. See “Removing the cable-retention bracket” on page 34.
3. Remove the node from the rack and place it on a flat, static-protective surface. See “Removing the SAN Volume Controller from a rack” on page 47.
4. Remove the top cover. See “Removing the top cover” on page 80.
5. Reconnect the power cord and then turn on the node.

Attention: Operating the node for extended periods of time (more than 30 minutes) with the cover removed might damage server components.
6. Determine which fan to replace by checking the LEDs on the system board. Each fan has an LED next to it. A lit LED indicates the fan to replace.
7. Turn off the node and then disconnect the power cord again.
8. Remove the failed fan.

- a. Disconnect the fan cable from the system board.

Note: Make a note of the routing of the fan cable to the connector. You will have to route the fan cable the same way when you install the fan.

- b. Grasp the top of the fan with your index finger and thumb and lift the fan out of the server.

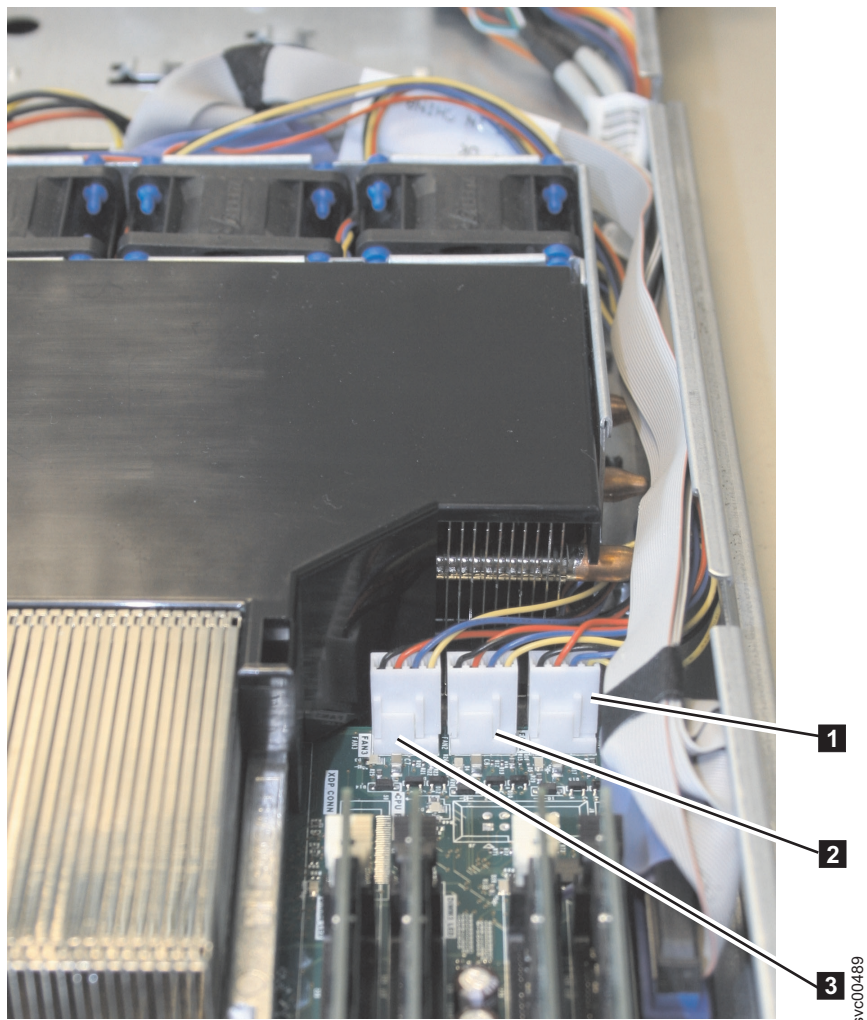


Figure 238. Connectors for the SAN Volume Controller 2145-8A4 heat exchange fans

- 1** Fan 3
- 2** Fan 2
- 3** Fan 1

Removing the SAN Volume Controller 2145-8G4 fans

Before you begin

Take precautions to avoid damage from static electricity. Wear an anti-static wrist strap and use a static-protected mat or surface. For more information, see “Handling static-sensitive devices” on page xxi.

About this task

Perform the following steps to remove a failed fan:

Procedure

1. Turn off the node while ensuring that its data is mirrored and synchronized. See MAP 5350 in the *IBM System Storage SAN Volume Controller Troubleshooting Guide* for more information.
2. Slide the node forward to gain access to the fan doors (**1** in Figure 239).
3. Open the fan door for the failing fan. The LED near the connector of the failing fan assembly is lit, unless you remove the power cable.

Note: The node has six fan positions that are numbered left to right under the two fan doors.

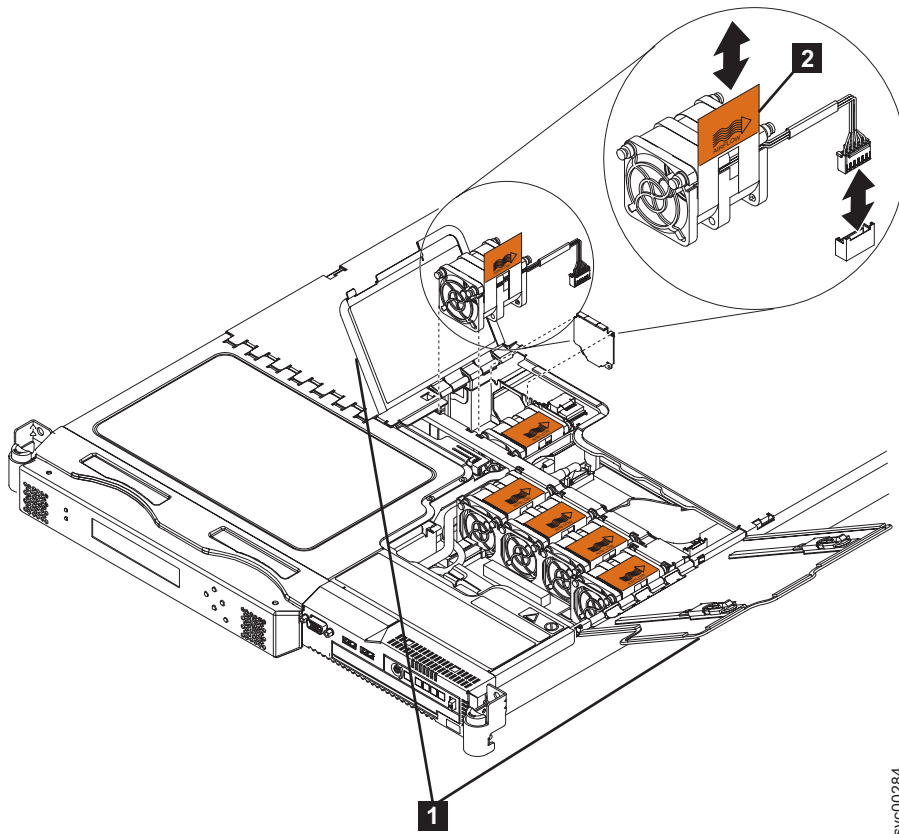


Figure 239. SAN Volume Controller 2145-8G4 fan doors, locations, and connectors

4. Disconnect the cable of the failing fan from the connector on the system board by pressing the release latch on the plug at the end of the cable.
5. Pull up on the orange tab (**2** in Figure 239) of the failing fan to lift the fan out of the node.

Removing the SAN Volume Controller 2145-8F4 or SAN Volume Controller 2145-8F2 fans

Before you begin

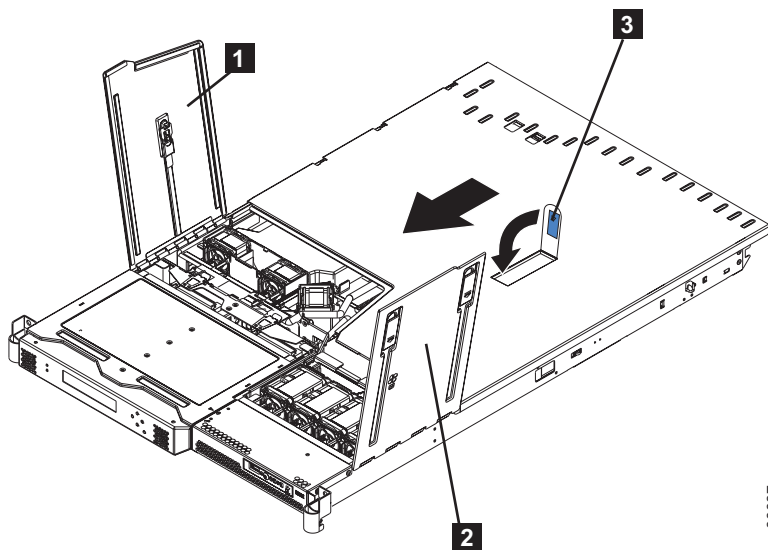
Ensure that you are aware of the procedures for handling static-sensitive devices before you remove the SAN Volume Controller 2145-8F4 or SAN Volume Controller 2145-8F2 fans.

About this task

Perform the following steps to remove a failed fan:

Procedure

1. Turn off the node while ensuring that its data is mirrored and synchronized. See MAP 5350 in the *IBM System Storage SAN Volume Controller Troubleshooting Guide* for more information.
2. In the management GUI, select **Monitoring > System** and select the node to remove. Click **Manage > Remove Node**.
3. Open the fan door where the failed fan resides. Fans 1, 2, and 3 are under fan door A **1**. Fans 4 through 7 are under fan door B **2**, as shown in Figure 240.

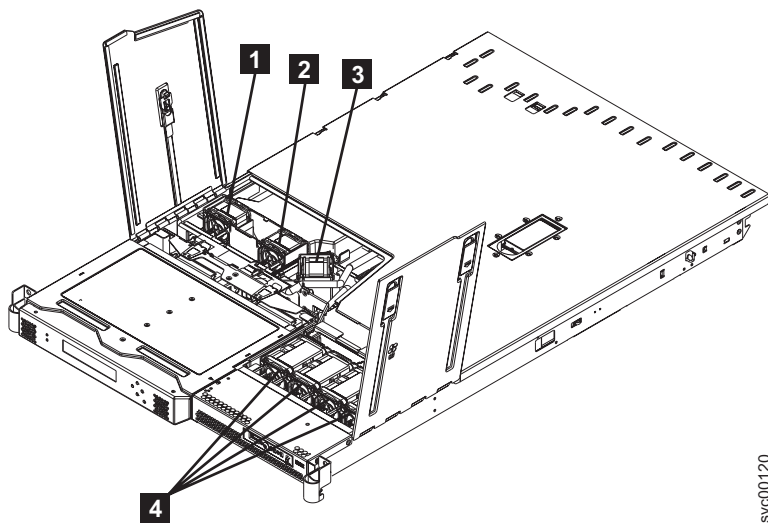


svc00087

Figure 240. SAN Volume Controller 2145-8F2 with the access doors open

- 1** Fan door A
- 2** Fan door B

4. Disconnect the cable of the failing fan from the connector. Figure 241 shows the location of the fans.



svc00120

Figure 241. SAN Volume Controller 2145-8F2 fan locations

- 1** Fan 1
- 2** Fan 2
- 3** Fan 3

4 Fans 4, 5, 6, and 7

5. Pull up on the orange tab on the side of the failing fan.
6. Lift the fan out of the node.

Replacing the fans

You might have to replace one or more SAN Volume Controller fans if they fail.

Replacing the SAN Volume Controller 2145-CG8 or 2145-CF8 fans

1. Replace any of the five fans in a SAN Volume Controller 2145-CG8 or 2145-CF8 node.

Before you begin

Attention: To ensure proper operation, replace a failed fan within 30 seconds.

Take precautions to avoid damage from static electricity. Wear an anti-static wrist strap and use a static-protected mat or surface. For more information, see “Handling static-sensitive devices” on page xxi.

About this task

Important: You can hot swap a fan. However, using MAP 5350 to power off the node through proven methods avoids risking an abrupt power failure on the node, which avoids the possible corruption of data.

Perform the following steps to replace a fan:

Procedure

1. Read the safety information to which “Preparing to remove and replace parts” on page 26 refers.
2. Optional: Follow the procedure in MAP 5350 in the *IBM System Storage SAN Volume Controller Troubleshooting Guide* to verify that the node data is mirrored and synchronized, and that there are no dependent volumes before turning off the node.

Important: If you decide to hot swap the fan, use MAP 5350 to make all of the necessary checks that ensure that the partner node in the I/O group can take over all I/O group operations, if necessary, and that there are no dependent VDisks on the node. With the partner node available and no dependent VDisks on the node, you do not lose access to data if this node accidentally powers off.

3. Slide the node forward to remove the cover and expose the fans and fan connectors, as described in “Removing the SAN Volume Controller 2145-CG8 or 2145-CF8 top cover” on page 80.

Figure 242 on page 258 shows fan locations within the SAN Volume Controller 2145-CG8 or 2145-CF8 node.

|

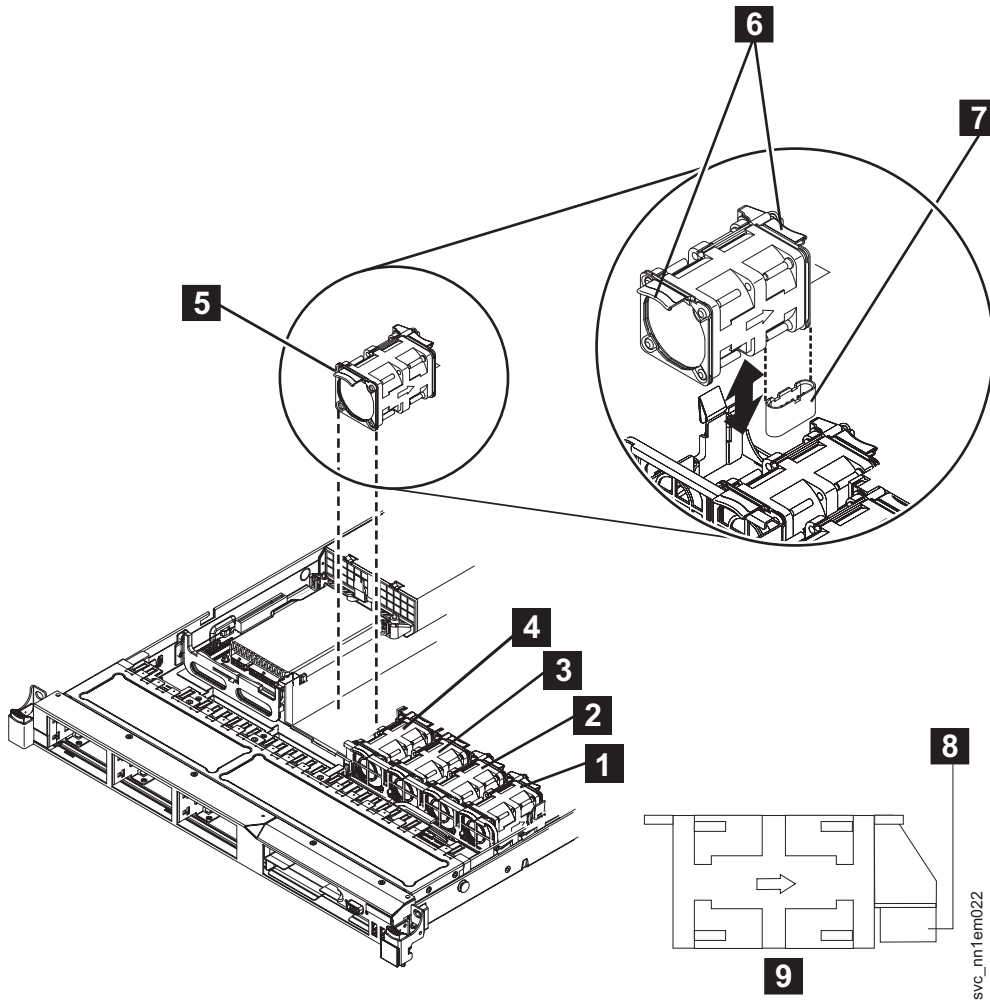


Figure 242. SAN Volume Controller 2145-CG8 or 2145-CF8 fan locations and connectors

- 1 Fan 1
- 2 Fan 2
- 3 Fan 3
- 4 Fan 4
- 5 Fan 5
- 6 Fan tabs
- 7 Fan connector on the system board
- 8 Fan connector
- 9 Side view of fan showing air-flow indicator

The node has five fan positions that are numbered from right to left.

4. Orient the new fan over the appropriate fan slot in the fan-assembly bracket so that the fan connector aligns with the connector on the system board.

This alignment assures that the air-flow indicator arrow on the side of the fan is pointing to the rear of the node.

Figure 243 on page 259 shows a fan being replaced.

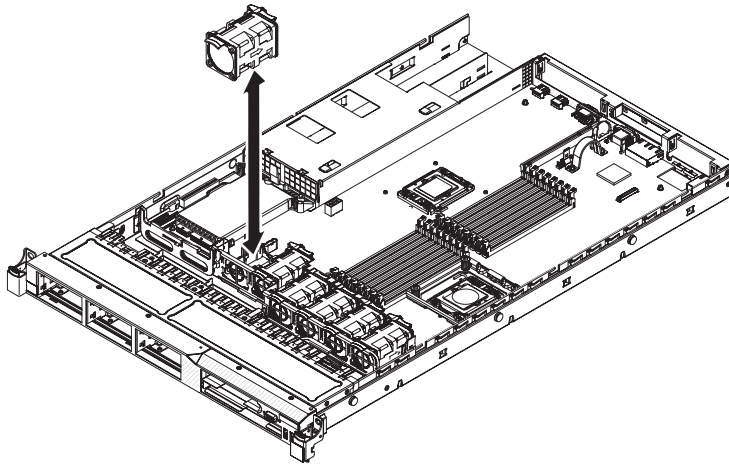


Figure 243. Removing or replacing a fan in the SAN Volume Controller 2145-CG8 or 2145-CF8 node

5. Insert the fan into the fan slot in the fan-assembly bracket and press it down until it is seated correctly in the slot and the fan connector is seated correctly in the connector on the system board.
6. Make sure that all cables, adapters, and other components are installed and seated correctly and that you have not left loose tools or parts inside the node. Make sure that all internal cables are correctly routed. If you disconnected the Fibre Channel and Ethernet cables, make sure that each cable is reconnected to the same port from which it was removed.
7. Replace the top cover. See “Replacing the top cover” on page 85.
8. If you removed the node from the rack, replace the node in the rack, as described in “Replacing the SAN Volume Controller in a rack” on page 58.
9. If you removed any Fibre Channel or Ethernet cables, use the labels you placed on each cable to replace all Fibre Channel and Ethernet cables in the same ports from which they were removed.
10. If you removed the power cords, replace the power cords and the cable-retention brackets, as described in “Replacing the cable-retention bracket” on page 40.
11. Lift the locking levers (**1** in Figure 244) on the slide rails and push the server **2** all the way into the rack until it clicks into place.

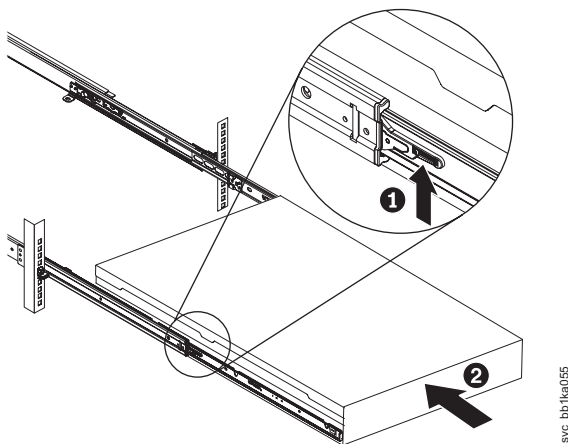


Figure 244. Raising the SAN Volume Controller 2145-CF8 or 2145-CG8 locking levers of the slide rails of the rack

12. Turn on the node.

Replacing the SAN Volume Controller 2145-8A4 fans

This topic describes how to replace the SAN Volume Controller 2145-8A4 fans.

Before you begin

Take precautions to avoid damage from static electricity. Wear an anti-static wrist strap and use a static-protected mat or surface. For more information, see “Handling static-sensitive devices” on page xxi.

About this task

Perform the following steps to replace a failed fan:

Procedure

1. Position the replacement fan, shown in Figure 245, so that the airflow arrow on the side of the fan points toward the rear of the node.

Note: Correct airflow is from the front to the rear of the node.

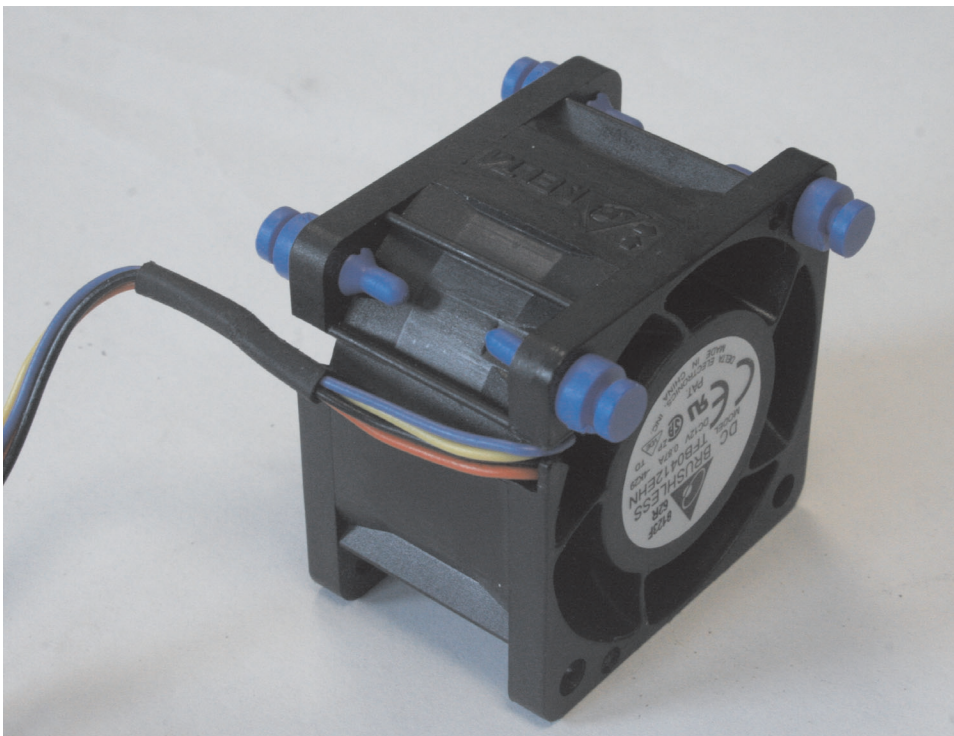


Figure 245. A close up of the SAN Volume Controller 2145-8A4 fan

2. Install the replacement fan in the bracket:
 - a. Make sure that the fan cable sits in the channel **1**, as shown in Figure 246 on page 261, on the side of the fan.
 - b. Route the fan cable into its slot in the fan bracket top and then insert the fan into the bracket.
 - c. Make sure that each of the soft blue tabs on the fan is fully seated in its slot in the fan bracket.

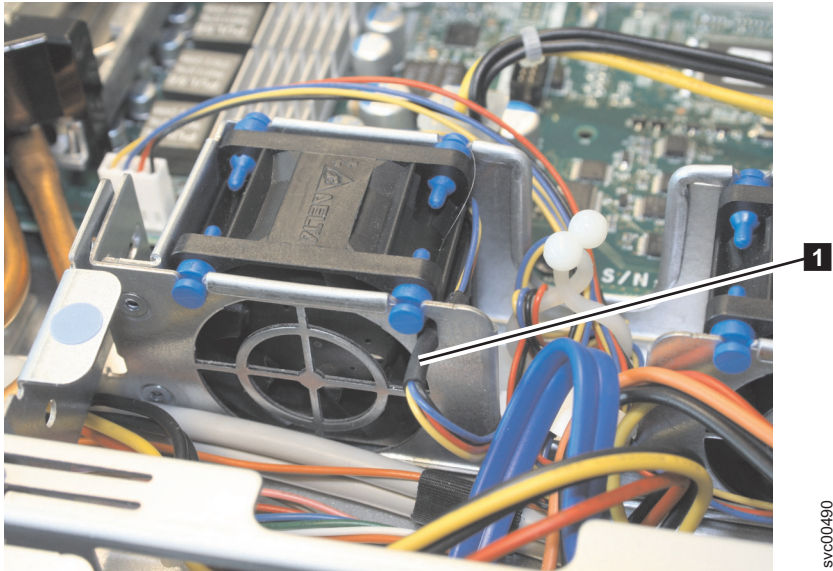


Figure 246. Routing the SAN Volume Controller 2145-8A4 fan cable

- d. Reconnect the fan cable to the system board, routing the cable in the same way as it was originally.
3. Connect the cable of the replacement fan into the system-board connector.
4. Replace the top cover. See “Replacing the top cover” on page 85.
5. Place the node in the rack. See “Replacing the SAN Volume Controller in a rack” on page 58.
6. Replace the cable-retention bracket. See “Replacing the cable-retention bracket” on page 40.
7. Turn on the node.

Replacing the SAN Volume Controller 2145-8G4 fans

This topic describes how to replace the SAN Volume Controller 2145-8G4 fans.

Before you begin

Take precautions to avoid damage from static electricity. Wear an anti-static wrist strap and use a static-protected mat or surface. For more information, see “Handling static-sensitive devices” on page xxi. The replacement procedures in this topic assume that the following are true:

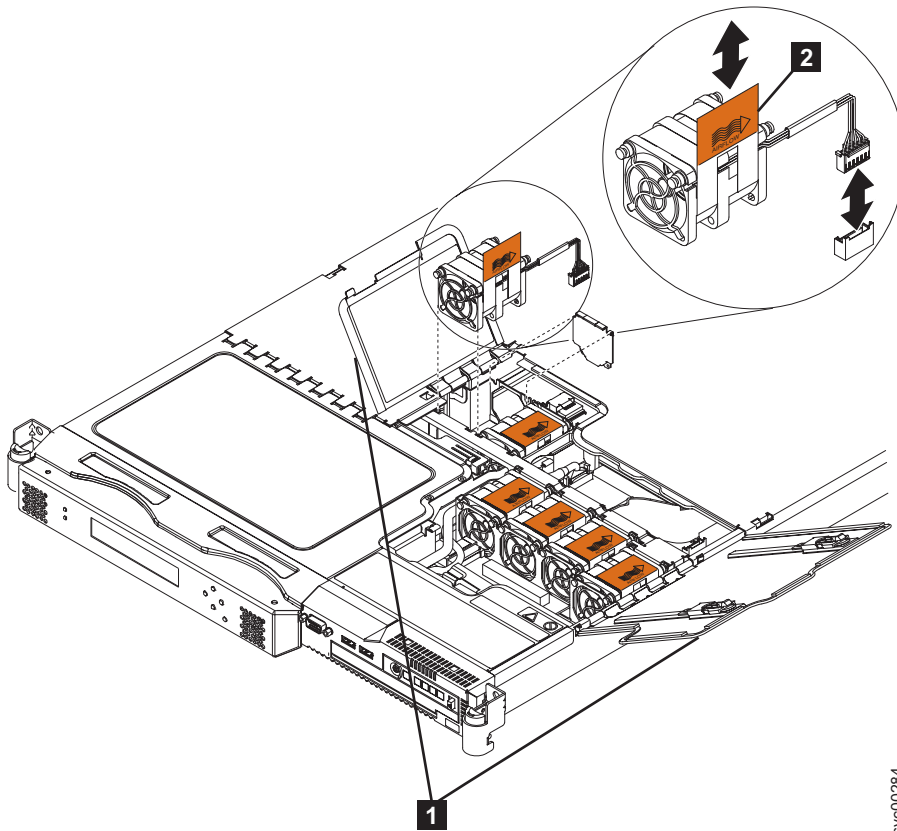
- The failed fan is removed
- The node power is turned off
- The node is removed from the rack

About this task

Perform the following steps to replace a failed fan:

Procedure

1. Orient the new fan in the same position as the fan that you removed. Make sure that the airflow indicator on the orange tab, (**2** in Figure 247 on page 262) is pointing to the rear of the node.



svc00284

Figure 247. SAN Volume Controller 2145-8G4 fan doors, locations, and connectors

2. Push the fan assembly down into the server until the blue mounting grommets are correctly seated.
3. Connect the cable of the replacement fan into the system board connector.
4. Close the fan door **1**.
5. Place the node in the rack. See “Replacing the SAN Volume Controller in a rack” on page 58.
6. Turn on the node.

Replacing the SAN Volume Controller 2145-8F4 or SAN Volume Controller 2145-8F2 fans

Before you begin

Take precautions to avoid damage from static electricity. Wear an anti-static wrist strap and use a static-protected mat or surface. For more information, see “Handling static-sensitive devices” on page xxi. The replacement procedures in this topic assume that the following are true:

- The failed fan is removed
- The node power is turned off
- The node is removed from the rack

About this task

Perform the following steps to replace the SAN Volume Controller 2145-8F4 or SAN Volume Controller 2145-8F2 fans:

Procedure

1. Orient the new fan in the same position as the fan you removed. Make sure that the airflow indicator, on top of the fan, is pointing to the rear of the server.

2. Push the fan assembly down into the server until the blue grommets are correctly seated.
3. Connect the cable of the replacement fan into the connector.
4. Close the fan door.
5. Replace the top cover. See “Replacing the top cover” on page 85.
6. Place the node in the rack. See “Replacing the SAN Volume Controller in a rack” on page 58.
7. Reconnect the cables and power cords that were removed.
8. Turn on the node.

Removing the SAN Volume Controller 2145-8F2 or SAN Volume Controller 2145-8F4 fan holder and fan backplanes

The fan holder with fan backplanes field-replaceable unit (FRU) is supplied as a kit of parts. Replace only the failed assembly and discard any unused part.

About this task

Perform the following steps to remove the fan holder with fan backplane:

Procedure

1. Turn off the node while ensuring that its data is mirrored and synchronized. See MAP 5350 in the *IBM System Storage SAN Volume Controller Troubleshooting Guide* for more information.
2. To make sure that you can replace all cables in the same ports from which they were removed, record the position of all Fibre Channel and Ethernet cables; then remove all cables from the back of the node.
3. Remove the node from the rack and place it on a flat, static-protective surface. See “Removing the SAN Volume Controller from a rack” on page 47.
4. Remove the top cover. See “Removing the top cover” on page 80.
5. Unplug the fans from the fan backplane.
6. Remove the screws and set them in a safe place.
7. Disconnect the fan cable.
8. Pull the fan bracket out of the node.

Replacing the SAN Volume Controller 2145-8F2 or SAN Volume Controller 2145-8F4 fan holder and fan backplanes

The fan holder with fan backplanes field-replaceable unit (FRU) is supplied as a kit of parts. Replace only the failed assembly and discard any unused part.

About this task

Perform the following steps to replace the fan holder with fan backplane:

Procedure

1. Place the fan bracket into the node.
2. Connect the fan cable.
3. Replace the screws that you had set aside.
4. Plug the fans into the fan backplane.
5. Replace the top cover.
6. Replace the node in the rack.
7. Connect all power cords and external cables into the back of the node.
8. Turn on the node.

Tip: When reinstalling the fan brackets on the front right side of the node, remove the cage assembly that holds the disk drive and service controller and remove the fan cable cover. Pull the cable loose before plugging it into the fan backplane, then install the fan holder and backplane assembly in the node.

Removing the microprocessor

You can remove the microprocessor that is used in the SAN Volume Controller nodes.

Before you begin

Take precautions to avoid damage from static electricity. Wear an anti-static wrist strap and use a static-protected mat or surface. For more information, see “Handling static-sensitive devices” on page xxi.

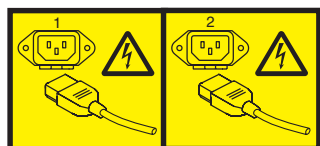
Removing the SAN Volume Controller 2145-CG8 or 2145-CF8 microprocessor

Use this information to remove the SAN Volume Controller 2145-CG8 or 2145-CF8 microprocessor and heat sink.

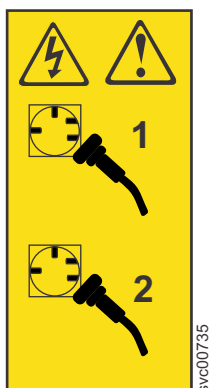
Before you begin

DANGER

Multiple power cords. The product might be equipped with multiple power cords. To remove all hazardous voltages, disconnect all power cords. (L003)



or



or



To correctly perform this task, you must have alcohol wipes and thermal grease available. If you do not already have them, order these separately.

About this task

This service action requires you to remove the cover and:

- Turn the node off.
- Disconnect the power cables.
- Disconnect the data cables.

Attention:

- Do not permit the thermal grease on the microprocessor and heat sink to come in contact with anything. Contact with any surface can compromise the thermal grease and the microprocessor socket.
- Use great care when handling microprocessors. Dropping the microprocessor during installation or removal can damage the contacts.
- Do not touch the microprocessor contacts; handle the microprocessor by the edges only. Contaminants on the microprocessor contacts, such as oil from your skin, can cause connection failures between the contacts and the socket.

To remove a microprocessor and heat sink, complete the following steps:

Procedure

1. Read the safety information to which “Preparing to remove and replace parts” on page 26 refers.
2. Follow the procedure in MAP 5350 in the *IBM System Storage SAN Volume Controller Troubleshooting Guide* to verify that the node data is mirrored and synchronized, and that there are no dependent volumes before turning off the node.
3. Slide the node out on its slide rails to the fully extended position.
You can perform most service actions when the node is fully extended from the rack on its slide rails. You can leave the Fibre Channel and Ethernet cables connected, if you are using the cable-management arm and if you are not removing the node from the rack. If the location of the node in the rack is too high or too low to work comfortably, you can remove the node from the rack.
4. When the node is completely turned off, remove the cable-retention brackets and disconnect the power cables, as described in “Removing the cable-retention bracket” on page 34.
5. To make sure that you can replace all cables in the same ports from which they were removed, label the port position of each Fibre Channel and Ethernet cable; then remove all cables from the back of the node.
6. Optional: Remove the node from the rack and place it on a flat, static-protective surface. See “Removing the SAN Volume Controller from a rack” on page 47.
7. Remove the top cover. See “Removing the top cover” on page 80.
8. Disconnect any cables that impede access to the heat sink (**3** in Figure 248) and the microprocessor (**1**).

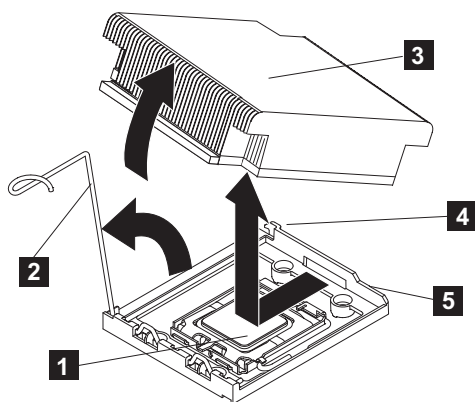


Figure 248. Removing the heat sink from the SAN Volume Controller 2145-CG8 or 2145-CF8 microprocessor

- 1** Microprocessor
- 2** Heat-sink release lever
- 3** Heat sink
- 4** Lock tab

5 Retainer bracket

9. Push the heat-sink release lever (**2**) down and away from the processor, then lift the lever until it is perpendicular to the system board.
10. Lift the heat sink from the side nearest the lever, in its upright position and remove. After removal, place the heat sink on its side on a clean, flat surface.
11. Release the microprocessor-release lever (**2** in Figure 249), by pressing down on the curved end of the lever, moving that end away from the middle of the processor, and releasing the lever up to the open position.

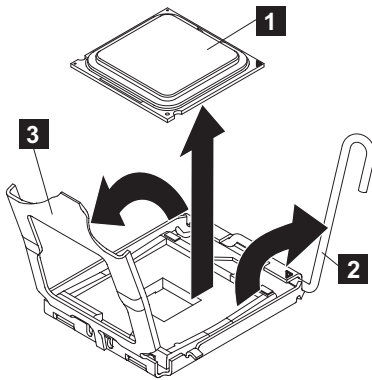


Figure 249. Opening the SAN Volume Controller 2145-CG8 or 2145-CF8 microprocessor-bracket frame

1 Microprocessor

2 Microprocessor-release lever

3 Microprocessor-bracket frame

12. Open the microprocessor-bracket frame by lifting the tab that is on the top edge. Keep the bracket frame in the open position, as shown in Figure 249.
13. Locate the microprocessor installation tool that comes with the new microprocessor.
14. Align the microprocessor installation tool with the screws on the microprocessor bracket and attach the tool to the microprocessor.

Align the holes on the installation tool with the screws on the microprocessor bracket, then place the microprocessor installation tool down over the microprocessor.

Twist the handle clockwise to attach the tool to the microprocessor.

You can pick up or release the microprocessor by twisting the microprocessor installation tool handle.

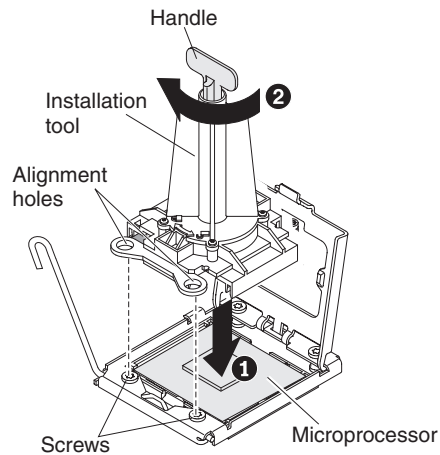


Figure 250. Aligning the microprocessor installation tool

- Carefully lift the microprocessor straight up and out of the socket, and place it on a static-protective surface. Be careful to touch only the edges of the microprocessor. Remove the microprocessor from the installation tool by twisting the handle counterclockwise.

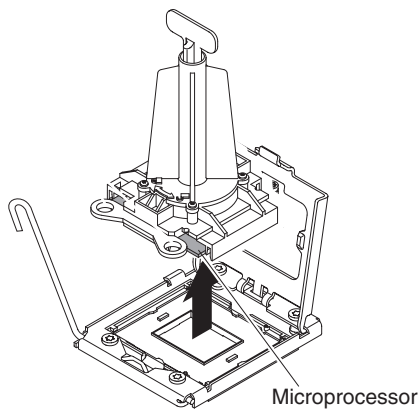


Figure 251. Lifting the microprocessor out of the microprocessor bracket frame

- If you are instructed to return the microprocessor, follow all packaging instructions, and use any packaging materials for shipping that are supplied to you.

Removing the SAN Volume Controller 2145-8A4 microprocessor

Use this information to remove the SAN Volume Controller 2145-8A4 microprocessor.

Before you begin

You must order alcohol wipes and thermal grease separately, if you do not already have them, to correctly perform this task.

About this task

To remove the microprocessor, complete the following steps:

Procedure

- Turn off the node while ensuring that its data is mirrored and synchronized. See MAP 5350 in the *IBM System Storage SAN Volume Controller Troubleshooting Guide* for more information.

2. Remove the cable-retention bracket and disconnect the power cable from the node. See “Removing the cable-retention bracket” on page 34.
3. Remove the node from the rack and place it on a flat, static-protective surface. See “Removing the SAN Volume Controller from a rack” on page 47.
4. Remove the top cover. See “Removing the top cover” on page 80.
5. Remove the air baffle (**1** in Figure 252). Grasp the air baffle by the leftmost and rightmost rear corners and lift it up out of the node.

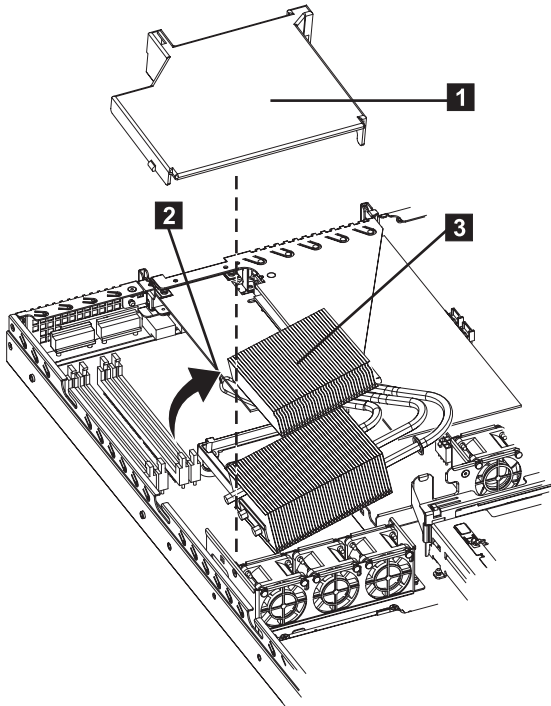


Figure 252. SAN Volume Controller 2145-8A4 air baffle and heat-exchanger assembly

6. Open the heat-exchanger-assembly release latch (**2** in Figure 252) to the fully open position.
7. Lift the side of the heat-exchanger assembly (**3** in Figure 252) that is closer to the middle of the node, slide it toward the middle of the node slightly, and lift the entire assembly out of the node.
8. Open the microprocessor release latch to the fully open position.

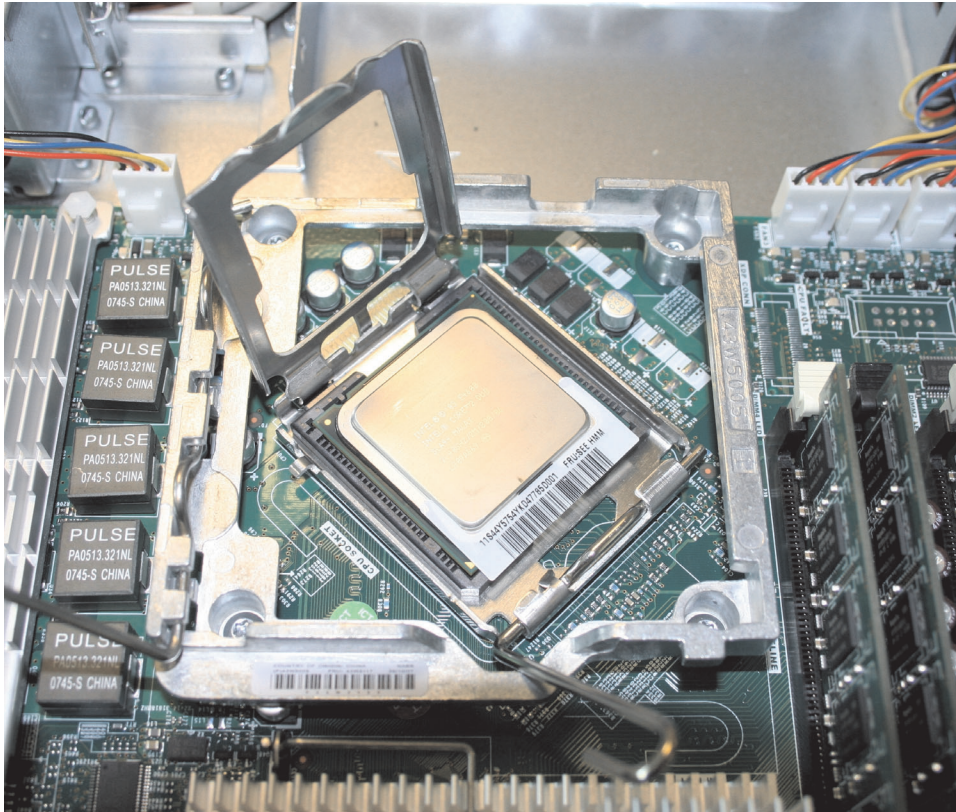


Figure 253. The SAN Volume Controller 2145-8A4 microprocessor bracket frame fully opened

9. Open the microprocessor bracket frame.

Note: Handle the microprocessor carefully. Dropping the microprocessor during removal can damage the contacts. Also, contaminants on the microprocessor contacts, such as oil from your skin, can cause connection failures between the contacts and the socket.

10. Remove the microprocessor:
 - a. Carefully lift the microprocessor straight up and out of the socket, without touching the microprocessor contacts.
 - b. Place the microprocessor on a static-protective surface.

Removing the SAN Volume Controller 2145-8G4 microprocessor

Use this information to remove the SAN Volume Controller 2145-8G4 microprocessor and heat sink.

Before you begin

To correctly perform this task, you must have alcohol wipes and thermal grease available. If you do not already have them, order these separately.

Attention:

- Do not allow the thermal grease on the microprocessor and heat sink to come in contact with anything. Contact with any surface can compromise the thermal grease and the microprocessor socket.
- Use great care when handling microprocessors. Dropping the microprocessor during installation or removal can damage the contacts.
- Do not touch the microprocessor contacts; handle the microprocessor by the edges only. Contaminants on the microprocessor contacts, such as oil from your skin, can cause connection failures between the contacts and the socket.

About this task

To remove a microprocessor and heat sink, complete the following steps:

Procedure

1. Turn off the node while ensuring that its data is mirrored and synchronized. See MAP 5350 in the *IBM System Storage SAN Volume Controller Troubleshooting Guide* for more information.
2. Remove the top cover. See “Removing the top cover” on page 80.
3. Remove the heat sink (**1** in Figure 254). Loosen two captive screws on alternate sides of the heat sink fully before loosening the other two captive screws. (This helps to break the bond between the heat sink and the microprocessor.) After the captive screws are loosened, remove the heat sink.

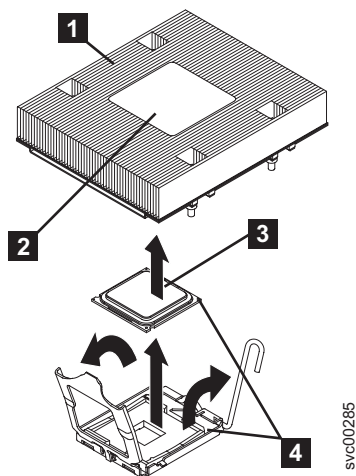


Figure 254. Removing the heat sink from the microprocessor

- 1** Heat sink
- 2** Heat sink installation label
- 3** Microprocessor
- 4** Alignment indicator

4. Open the microprocessor release lever (**1** in Figure 255 on page 271) to the fully open position.

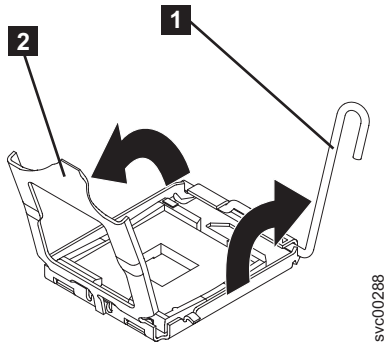


Figure 255. The microprocessor release lever and bracket frame fully opened

- 1** Microprocessor release lever
- 2** Microprocessor bracket frame

5. Open the microprocessor bracket frame (**2** in Figure 255).
6. Carefully remove the microprocessor from the socket. Be careful to only touch the edges of the microprocessor.

Removing the SAN Volume Controller 2145-8F4 or SAN Volume Controller 2145-8F2 microprocessor

The SAN Volume Controller 2145-8F4 or SAN Volume Controller 2145-8F2 must always be fitted with both microprocessors to function correctly.

Before you begin

Figure 256 shows the microprocessors and voltage regulator modules (VRMs).

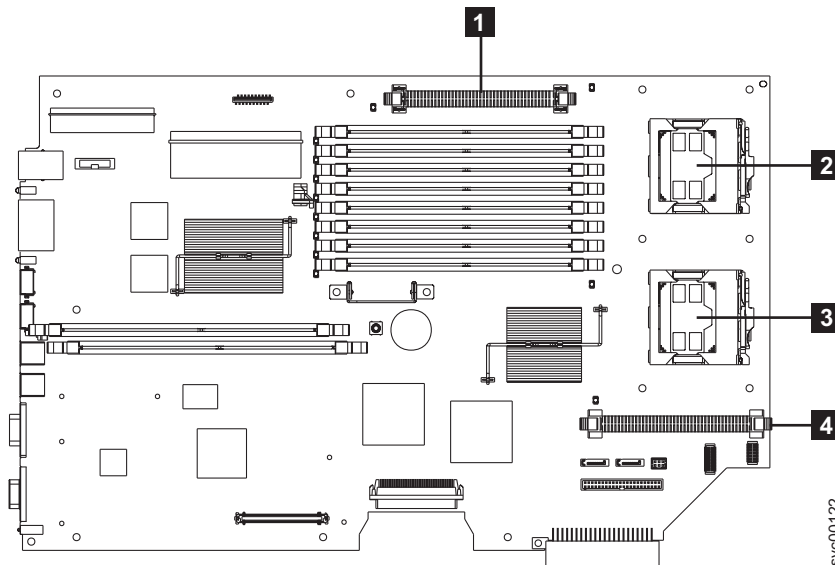


Figure 256. Location of the microprocessor and VRM sockets

- 1** VRM 1
- 2** Microprocessor 1
- 3** Microprocessor 2

4 VRM 2

About this task

Each microprocessor is matched with a VRM and a heat sink. When removing the microprocessor, you must first remove the heat sink.

Perform the following steps to remove a microprocessor:

Procedure

1. Turn off the node while ensuring that its data is mirrored and synchronized. See MAP 5350 in the *IBM System Storage SAN Volume Controller Troubleshooting Guide* for more information.
2. To make sure that you can replace all cables in the same ports from which they were removed, record the position of all Fibre Channel and Ethernet cables; then remove all cables from the back of the node.
3. Remove the node from the rack and place it on a flat, static-protective surface. See “Removing the SAN Volume Controller from a rack” on page 47.
4. Remove the top cover. See “Removing the top cover” on page 80.
5. Fully loosen one captive screw before loosening the other captive screw. This helps to break the bond between the heat sink and the microprocessor.
6. Remove the heat sink.

Important: Be careful when handling the microprocessor and heat sink. If you wish to reuse the thermal grease between the heat sink and the microprocessor, do not contaminate it. If thermal grease is supplied with your replacement microprocessor, remove all traces of the used thermal grease before applying the new grease.

7. Rotate the microprocessor socket lever arm upward to its maximum vertical position.
8. Remove the microprocessor from the socket.

Replacing the microprocessor

Use this topic when you are required to replace a microprocessor.

Before you begin

Take precautions to avoid damage from static electricity. Wear an anti-static wrist strap and use a static-protected mat or surface. For more information, see “Handling static-sensitive devices” on page xxi.

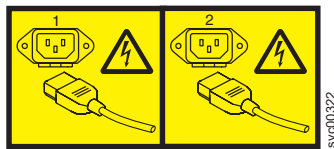
Replacing the SAN Volume Controller 2145-CG8 or 2145-CF8 microprocessor

You need one alcohol wipe and one thermal grease syringe to replace the microprocessor. If you do not already have these, order them before you begin to replace the part.

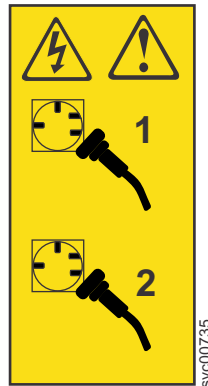
Before you begin

DANGER

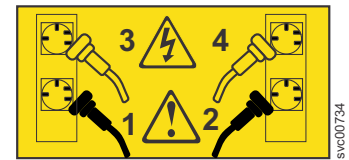
Multiple power cords. The product might be equipped with multiple power cords. To remove all hazardous voltages, disconnect all power cords. (L003)



or



or



To correctly perform this task, you must have alcohol wipes and thermal grease available. If you do not already have them, order these separately.

About this task

This procedure is based on the following assumptions:

- You are a trained IBM service technician.
- You removed all power from the node.
- You removed the node from the rack.
- You removed the top cover of the node.
- You removed the microprocessor that is being replaced.

Furthermore, always replace the microprocessor in microprocessor socket one.

Attention: Removing the heat sink from the microprocessor destroys the even distribution of the thermal grease and requires replacing the thermal grease.

If the thermal-grease protective cover (for example, a plastic cap or tape liner) is removed from the heat sink, do not touch the thermal grease on the bottom of the heat sink or set down the heat sink.

Perform the following steps to replace the microprocessor and heat sink:

Procedure

1. To open the socket in preparation for inserting the microprocessor, press down and out on the release lever (**2** in Figure 257 on page 274 as you did to remove the microprocessor, and lift up the microprocessor-release lever until it stops in the fully open position.

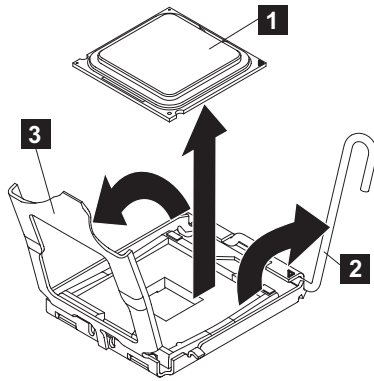


Figure 257. Opening the SAN Volume Controller 2145-CG8 or 2145-CF8 microprocessor-bracket frame

- 1** Microprocessor
- 2** Microprocessor-release lever
- 3** Microprocessor-bracket frame

2. Lift the hinged microprocessor-bracket frame into an open position and remove the microprocessor dust cover, tape, or label from the surface of the microprocessor socket, if one is present. Store the dust cover in a safe place.

Attention: When you handle static-sensitive devices, take precautions to avoid damage from static electricity.

3. Touch the static-protective package that contains the new microprocessor to any *unpainted* metal surface on the node; then, remove the microprocessor from the package.
 - Do not touch the microprocessor contacts; handle the microprocessor by the edges only. Contaminants on the microprocessor contacts, such as oil from your skin, can cause connection failures between the contacts and the socket.
 - Handle the microprocessor carefully. Dropping the microprocessor during installation or removal can damage the contacts.
 - Do not use excessive force when you press the microprocessor into the socket.
 - Verify that the microprocessor is oriented, aligned, and positioned in the socket before you try to close the lever.
 - If there is a plastic protective cover on the bottom of the microprocessor, carefully remove it.

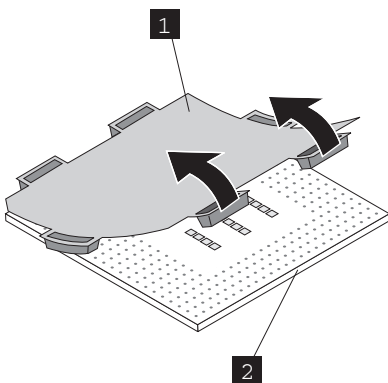


Figure 258. Removing the plastic protective cover from a microprocessor

- 1** Protective cover
- 2** Microprocessor

- Locate the microprocessor installation tool that comes with the new microprocessor.

- Twist the handle of the installation tool counterclockwise so that it is in the open position.
- Align the triangular alignment mark (**4** in Figure 260 on page 276) on the microprocessor on the microprocessor installation tool with the triangle alignment mark on the microprocessor, then place the microprocessor on the underside of the tool so that the tool can grasp the microprocessor correctly onto the bottom of the installation tool.

To align the microprocessor with the socket, use the triangular alignment cutout on the microprocessor socket and the triangular alignment mark (**4** in Figure 260 on page 276) on the microprocessor. Also use the position of the notches to align the microprocessor.

- Twist the handle of the installation tool clockwise to secure the microprocessor in the tool.

Note: You can pick up or release the microprocessor by twisting the microprocessor installation tool handle.

- Carefully align the microprocessor installation tool over the microprocessor socket. Twist the handle of the microprocessor tool counterclockwise to insert the microprocessor into the socket.

Attention: The microprocessor fits only one way on the socket. You must place a microprocessor straight down on the socket to avoid damaging the pins on the socket. The pins on the socket are fragile. Any damage to the pins may require replacing the system board.

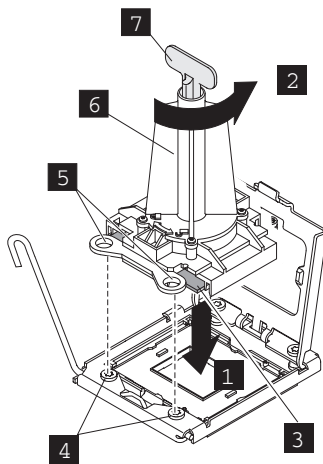


Figure 259. Inserting the microprocessor into the socket

- 1** Downward motion to seat the microprocessor
- 2** Twisting motion to insert the microprocessor into the socket
- 3** Microprocessor
- 4** Screws
- 5** Alignment holes
- 6** Installation tool
- 7** Handle

- Close the microprocessor bracket frame.
 - Carefully close the microprocessor release lever to the closed position to secure the microprocessor in the socket.
- 4.
5. After alignment, carefully place the microprocessor onto the socket. Close the microprocessor-bracket frame (**3**).

Tip: Do not force the microprocessor. The microprocessor fits only one way on the socket.

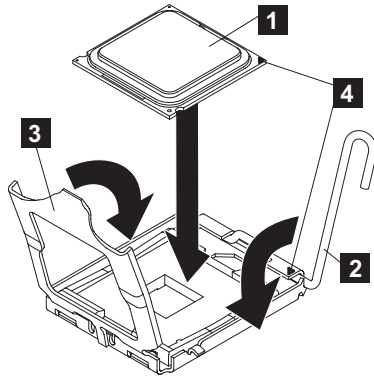


Figure 260. Closing the SAN Volume Controller 2145-CG8 or 2145-CF8 microprocessor-bracket frame

- 1** Microprocessor
- 2** Microprocessor-release lever
- 3** Microprocessor-bracket frame

6. Carefully close the microprocessor-release lever (**2**) to the closed position to secure the microprocessor in the socket.
7. Clean the grease from the heat sink and apply new grease on the microprocessor.

When you are installing the heat sink on the same microprocessor that it was removed from, make sure that the following requirements are met:

- The thermal grease on the heat sink and microprocessor is not contaminated.
- Additional thermal grease is not added to the existing thermal grease on the heat sink and microprocessor.

To replace damaged or contaminated thermal grease on the microprocessor and heat sink, complete the following steps:

- a. Place the heat sink on a clean work surface.
- b. Remove the cleaning pad from its package and unfold it completely.
- c. Use the cleaning pad to wipe the thermal grease from the bottom of the heat sink.

Note: Make sure that all of the thermal grease is removed.

- d. Use a clean area of the cleaning pad to wipe the thermal grease from the microprocessor; then, dispose of the cleaning pad after all of the thermal grease is removed.
- e. Use the thermal-grease syringe to place 9 uniformly spaced dots of 0.02 mL each on the top of the microprocessor, as shown in Figure 261. The outermost dots must be within approximately 5 mm of the edge of the microprocessor to ensure uniform distribution of the grease.

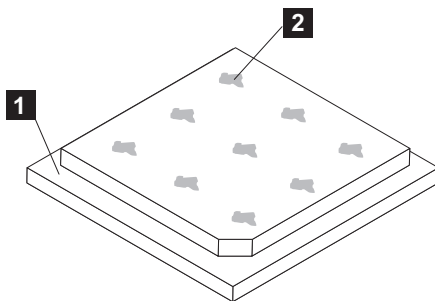


Figure 261. Applying thermal grease to the SAN Volume Controller 2145-CG8 or 2145-CF8 microprocessor

- 1** Microprocessor

2 0.02 mL of thermal grease

Note: If properly applied, approximately half of the grease remains in the syringe when you are done.

- Align the heat sink on top of the microprocessor, as shown in Figure 262.

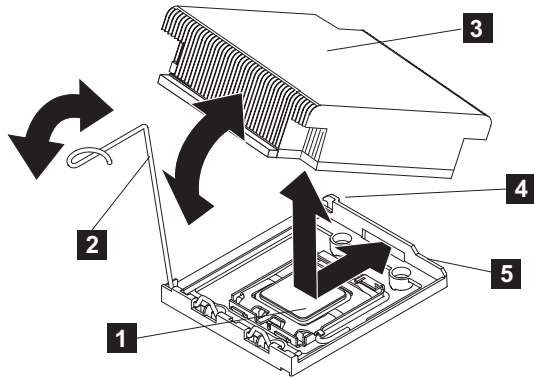


Figure 262. Installing the heat sink on the SAN Volume Controller 2145-CG8 or 2145-CF8 microprocessor

- 1** Microprocessor
- 2** Heat-sink release lever
- 3** Heat sink
- 4** Lock tab
- 5** Retainer bracket

- Lower the rear flange of the heat sink into the opening in the retainer bracket (**5**) and press down firmly on the front of the heat sink until it is seated securely.
- Rotate the heat-sink release lever (**2**) to the closed position and hook the lever underneath the lock tab (**4**).
- Replace the top cover. See “Replacing the top cover” on page 85.
- If you removed the node from the rack, replace the node in the rack, as described in “Replacing the SAN Volume Controller in a rack” on page 58.
- If you removed any Fibre Channel or Ethernet cables, use the labels you placed on each cable to replace all Fibre Channel and Ethernet cables in the same ports from which they were removed.
- If you removed the power cords, replace the power cords and the cable-retention brackets, as described in “Replacing the cable-retention bracket” on page 40.
- Lift the locking levers (**1** in Figure 263 on page 278) on the slide rails and push the server **2** all the way into the rack until it clicks into place.

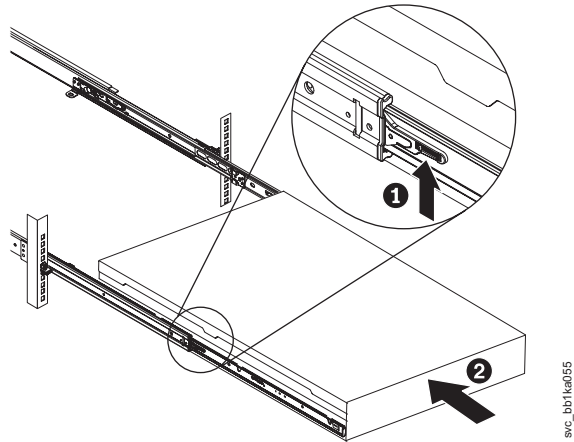


Figure 263. Raising the SAN Volume Controller 2145-CF8 or 2145-CG8 locking levers of the slide rails of the rack

16. Turn on the node.

Replacing the SAN Volume Controller 2145-8A4 microprocessor

This topic describes how to replace the microprocessor.

About this task

Perform the following steps to replace the microprocessor:

Procedure

1. Make sure that the microprocessor bracket frame **1** and release latch **4**, shown in Figure 264 on page 279, are both fully open.

Attention:

- The microprocessor contacts are fragile; handle the microprocessor very carefully. Do not touch the microprocessor contacts with your skin.
- The microprocessor fits only one way on the socket.

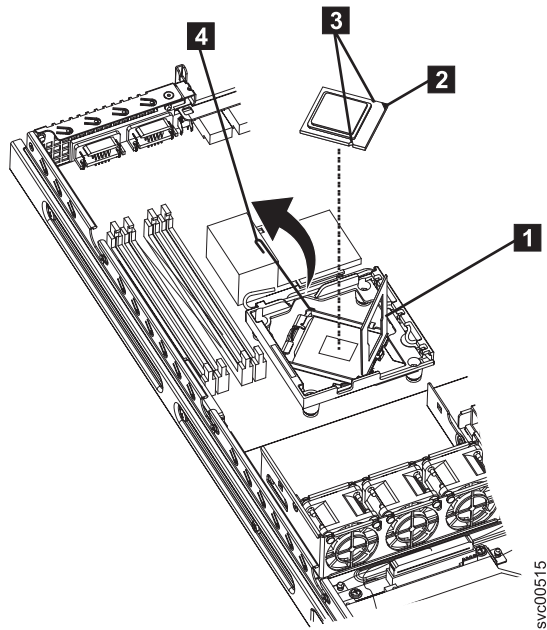


Figure 264. SAN Volume Controller 2145-8A4 microprocessor

2. Align the microprocessor with the socket as shown in Figure 264. (Note the alignment mark **2** and the position of the notches **3**.)

Then, carefully place the microprocessor on the socket, close the microprocessor bracket frame **1**, and close the microprocessor release latch **4**.

3. Install the heat-exchanger assembly.

- If you are installing a new heat-exchanger assembly, peel off the protective backing from the thermal material that is on the underside of the new heat exchanger.
- If you are reinstalling a heat-exchanger assembly that was previously removed, replace the contaminated or missing thermal grease:
 - a. Place the heat-exchanger assembly on a clean work surface.
 - b. Remove the cleaning pad from its package and unfold it completely.
 - c. Use the cleaning pad to wipe the thermal grease from the bottom of the heat exchanger. Make sure that all of the thermal grease is removed.
 - d. Apply thermal grease to the top of the microprocessor, as shown in Figure 265 on page 280. Apply nine dots of thermal grease in three rows of three dots each with the outer rows approximately 5 mm from the edge of the microprocessor. The diameter of the cap from the thermal grease syringe is 5 mm, so you can use it to judge the required position of the dots of thermal grease

Note: 0.01mL is one tick mark on the syringe. If the grease is properly applied, approximately half (0.22 mL) of the grease will remain in the syringe.

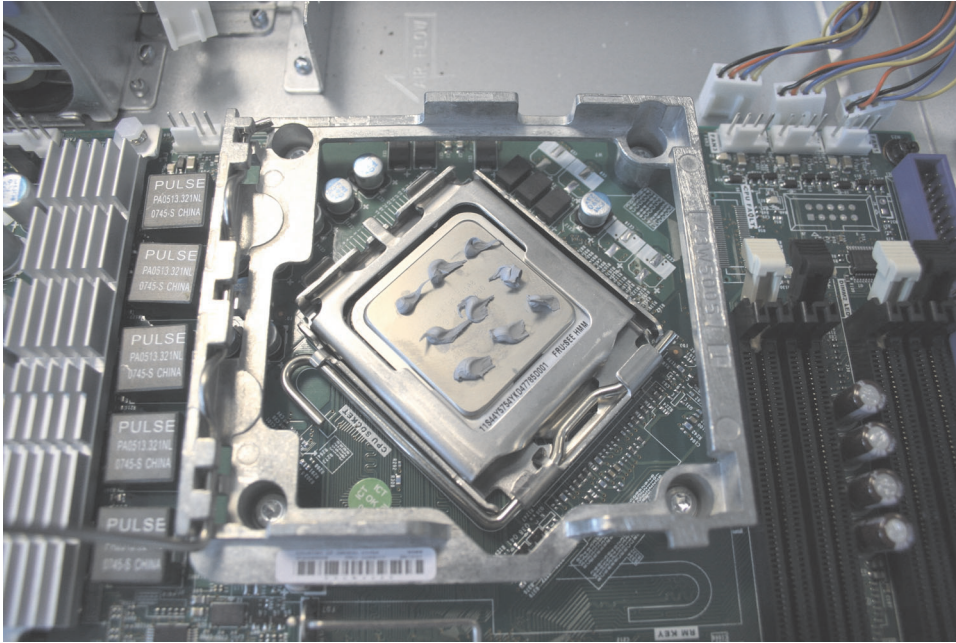


Figure 265. Complete set of nine thermal grease dots on the SAN Volume Controller 2145-8A4 microprocessor

4. Make sure that the heat-exchanger assembly release latch is fully opened.
5. With the heat-exchanger assembly at an angle, carefully align the heat-exchanger assembly with the microprocessor and the heat exchanger retention module (socket) on the system board. Make sure that the alignment pins **1**, shown in Figure 266, protrude through the alignment hole (the opening in the side of the heat-exchanger bracket) and that the flange of the heat sink rests under the lip of the heat-exchanger socket.

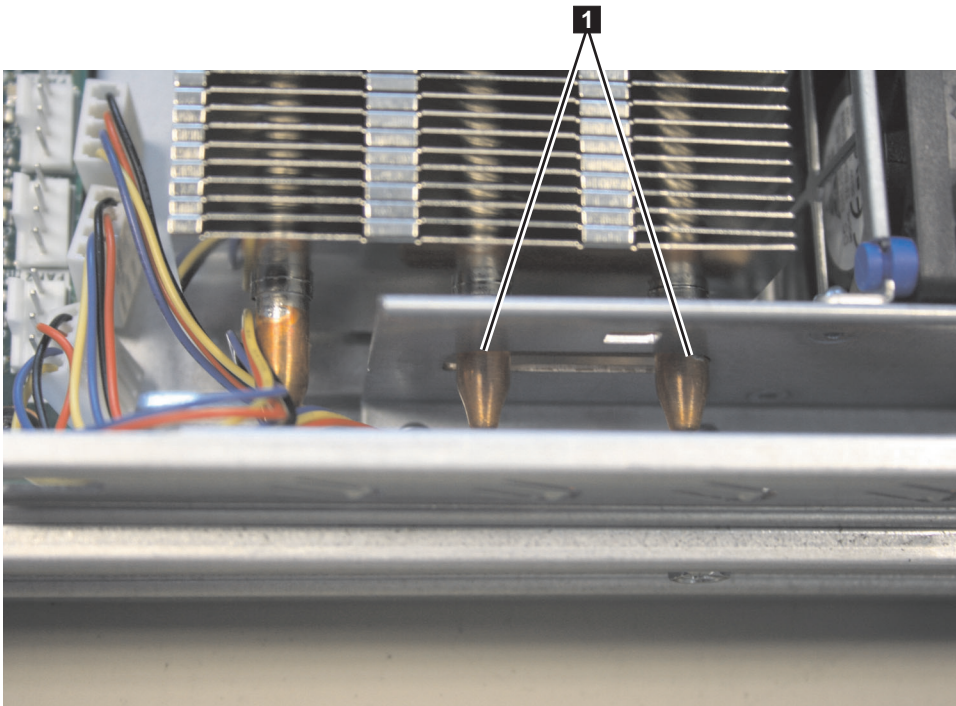


Figure 266. Alignment pins on the SAN Volume Controller 2145-8A4 heat-exchanger assembly

6. Gently press the assembly into place.
7. Close the heat-exchanger-assembly release latch, catching it under the hook on the socket.
8. Replace the air baffle. Align the air baffle and then press the air baffle into position until it clicks into place.
9. Replace the top cover. See “Replacing the top cover” on page 85.
10. Place the node in the rack. See “Replacing the SAN Volume Controller in a rack” on page 58.
11. Reconnect the power cords and any cables that were removed.
12. Turn on the node.

Replacing the SAN Volume Controller 2145-8G4 microprocessor

This topic describes how to replace the microprocessor.

Before you begin

There are two versions of the SAN Volume Controller 2145-8G4 node: Rev 1 and Rev 2. One difference between these two versions is in the processor configuration. The original version (Rev 1) has two microprocessors, while the second version (Rev 2) has one microprocessor. The label on the Rev 1 node does not include a version number. An additional label on the front of the Rev 2 node includes the version number. Ensure that you have the correct microprocessor for the node that you are servicing.

You need 1 alcohol wipe and 1 thermal grease syringe for each microprocessor that you will replace. If you do not already have these, order them before you begin to replace the part.

The documented steps to replace the SAN Volume Controller 2145-8G4 microprocessor assume that you:

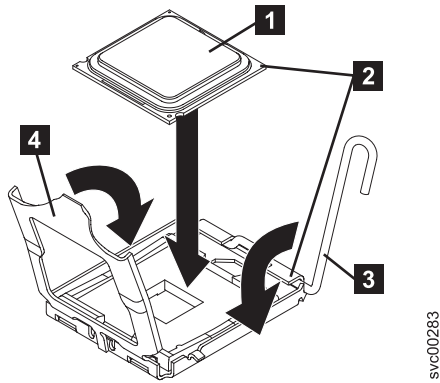
- Removed all power from the node
- Removed the node from the rack
- Removed the top cover of the node
- Removed the microprocessor that is being replaced

About this task

Perform the following steps to replace the microprocessor:

Procedure

1. Rotate the release lever from the closed and locked position to the open position.
2. Touch the static-protective package that contains the new microprocessor to any *unpainted* metal surface on the node.
3. Remove the microprocessor from the package.
Attention: Be careful how you handle the microprocessor. Do not touch the microprocessor contacts; handle the microprocessor by the edges only. Dropping the microprocessor during installation or removal can damage the contacts. Also, contaminants on the microprocessor contacts, such as oil from your skin, can cause connection failures between the contacts and the socket.
4. Position the microprocessor **1** over the microprocessor socket, as shown in Figure 267 on page 282. Use the triangular alignment cutout on the microprocessor socket and the triangular alignment mark **2** on the microprocessor to assist you in aligning the microprocessor to the socket. Then, carefully place the microprocessor onto the socket. Do not force the microprocessor. It only fits one way onto the socket.



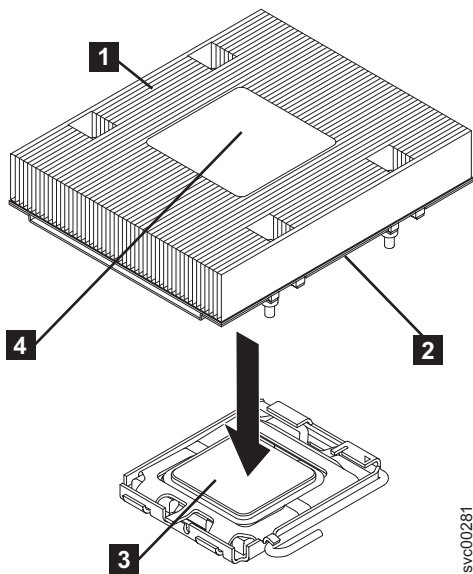
svc00283

Figure 267. Aligning the microprocessor with the socket

- 1 Microprocessor
- 2 Alignment marks
- 3 Microprocessor release lever
- 4 Microprocessor bracket frame

5. Place the microprocessor bracket frame **4** down over the microprocessor and the microprocessor socket to secure the microprocessor position in the socket.
6. Rotate the microprocessor release lever **3** into a closed position.
7. Place the heat sink **1** on top of the microprocessor **3** with the thermal grease **2** side down, as shown in Figure 268. Tighten the captive screws to secure the heat sink to the system board. Alternate among the screws on either side of the heat sink until they are snug, and then alternate again until they are tight, making sure that you do not overtighten any of them.

Attention: If you are working on a Rev 1 node, do not touch the thermal grease on the bottom of the heat sink after you remove the plastic cover. Touching the thermal grease contaminates it.



svc00281

Figure 268. Installing the heat sink

- 1 Heat sink
- 2 Thermal grease

3 Microprocessor

4 Heat sink installation label

8. Replace the top cover. See “Replacing the top cover” on page 85.
9. Place the node in the rack. See “Replacing the SAN Volume Controller in a rack” on page 58.
10. Reconnect the power cable and any other cables that were removed.
11. Turn on the node.

Replacing the SAN Volume Controller 2145-8F4 or SAN Volume Controller 2145-8F2 microprocessor

The SAN Volume Controller 2145-8F4 or SAN Volume Controller 2145-8F2 must always be fitted with both microprocessors in order to function correctly.

Before you begin

The documented steps to replace the SAN Volume Controller 2145-8F4 or SAN Volume Controller 2145-8F2 microprocessor assume that you:

- Removed all power from the node
- Removed the node from the rack
- Removed the top cover of the node
- Removed the microprocessor that is being replaced

About this task

Perform the following steps to replace the SAN Volume Controller 2145-8F4 or SAN Volume Controller 2145-8F2 microprocessor:

Procedure

1. Touch the static-protective package that contains the new microprocessor to any *unpainted* metal surface on the node.
2. Remove the microprocessor from the package.
3. Rotate the locking lever **3** from the closed position to the open position, as shown in Figure 269 on page 284.

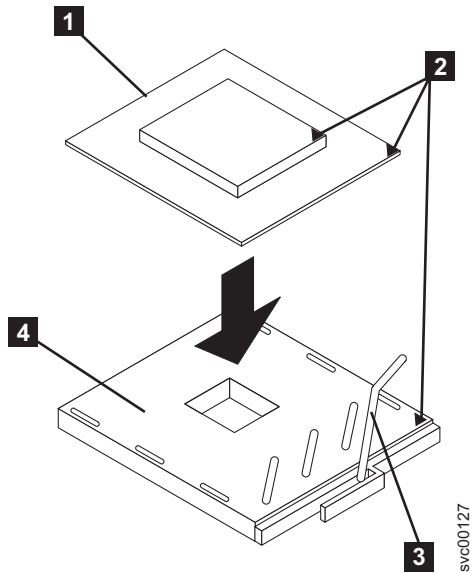


Figure 269. Microprocessor locking lever in open position

- 1** Microprocessor
- 2** Corner marks
- 3** Locking lever
- 4** Microprocessor socket

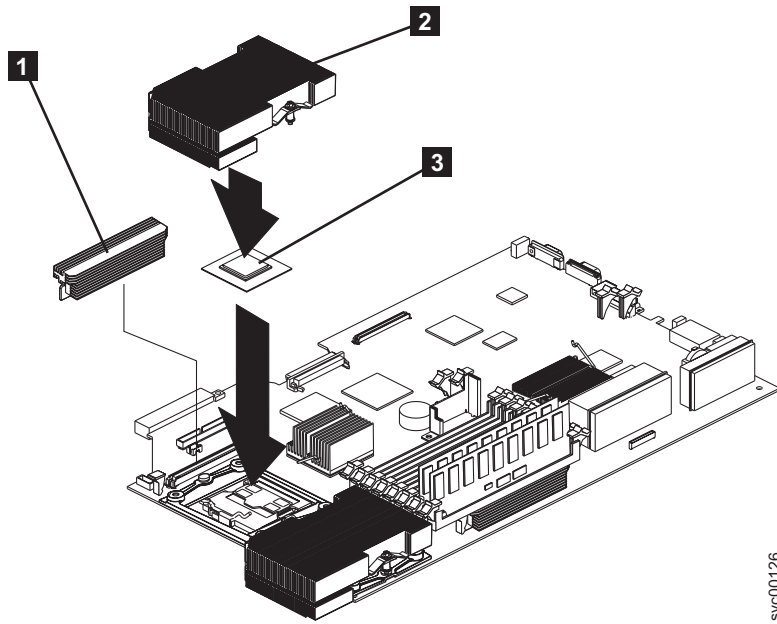
4. Center the microprocessor **1** over the microprocessor socket **4**.
5. Align the triangle **2** on the corner of the microprocessor with the triangle on the corner of the socket and carefully press the microprocessor into the socket.

Attention: Do not use excessive force when pressing the microprocessor into the socket.

6. Close the lever.

Note: A voltage regulator module (VRM) and a heat sink are included in the microprocessor package.

- Do not set the heat sink down after removing it from the package.
 - Do not touch or contaminate the thermal grease on the bottom of the heat sink. Doing so damages its heat-conducting capability and exposes the microprocessor to overheating.
 - If you must remove the heat sink after installing it, note that the thermal grease might have formed a strong bond between the heat sink and the microprocessor. Do not force the heat sink and microprocessor apart; doing so causes damage to the microprocessor pins. Loosen one captive screw fully before loosening the other captive screw to help break the bond between the components without damaging them.
7. Install the heat sink **2** on top of the microprocessor **3**, as shown in Figure 270 on page 285.



svc00126

Figure 270. Microprocessor and heat sink locations

- 1** VRM
- 2** Heat sink
- 3** Microprocessor

8. Tighten the captive screws. Alternate between the screws until they are all tightened. Do not overtighten.
9. Replace the top cover. See “Replacing the top cover” on page 85.
10. Place the node in the rack. See “Replacing the SAN Volume Controller in a rack” on page 58.
11. Reconnect the power cords and any cables that were removed.
12. Turn on the node.

Removing the SAN Volume Controller 2145-8F4 or SAN Volume Controller 2145-8F2 VRM

You might remove the voltage regulator module (VRM) to perform maintenance on the SAN Volume Controller 2145-8F2 or SAN Volume Controller 2145-8F4.

Before you begin

Take precautions to avoid damage from static electricity. Wear an anti-static wrist strap and use a static-protected mat or surface. For more information, see “Handling static-sensitive devices” on page xxi.

Figure 271 on page 286 shows the microprocessors and VRMs.

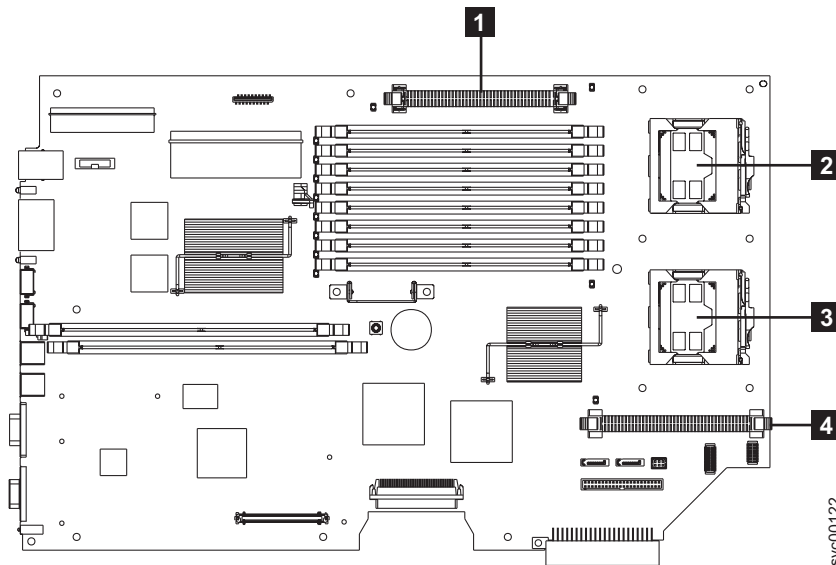


Figure 271. Location of the microprocessor and VRM sockets

- 1** VRM 1
- 2** Microprocessor 1
- 3** Microprocessor 2
- 4** VRM 2

About this task

Perform the following steps to remove the VRM:

Procedure

1. Turn off the node while ensuring that its data is mirrored and synchronized. See MAP 5350 in the *IBM System Storage SAN Volume Controller Troubleshooting Guide* for more information.
2. Remove the SAN Volume Controller 2145-8F4 cable retention bracket.
3. To make sure that you can replace all cables in the same ports from which they were removed, record the position of all Fibre Channel and Ethernet cables; then remove all cables from the back of the node.
4. Remove the top cover. See “Removing the top cover” on page 80.
5. Press the latches on both sides of the VRM downward and outward.

Results

The VRM is pulled out of the node and you can now replace the VRM.

Replacing the SAN Volume Controller 2145-8F2 or SAN Volume Controller 2145-8F4 VRM

Before you replace the microprocessor, you must replace the voltage regulator module (VRM).

Before you begin

Take precautions to avoid damage from static electricity. Wear an anti-static wrist strap and use a static-protected mat or surface. For more information, see “Handling static-sensitive devices” on page xxi.

About this task

Perform the following steps to replace the VRM:

Procedure

1. Align the VRM in the connector.
2. Press both sides of the VRM downward until the latches click into place.
3. If you are replacing the microprocessor, perform the steps required to do so. If not, replace the SAN Volume Controller 2145-8F2 or SAN Volume Controller 2145-8F4 top cover.
4. Place the node in the rack. See “Replacing the SAN Volume Controller in a rack” on page 58.
5. Reconnect the Fibre Channel and Ethernet cables. Ensure that you replace the Fibre Channel and Ethernet cables in the same ports from which they were removed.
6. Turn on the node.

Removing the SAN Volume Controller system board

You must remove the system board if you are instructed to replace the SAN Volume Controller system board field-replaceable unit (FRU).

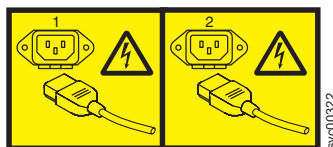
Removing the SAN Volume Controller 2145-CG8 or 2145-CF8 system board

You must remove the system board if you are instructed to replace the SAN Volume Controller 2145-CG8 or 2145-CF8 system board FRU.

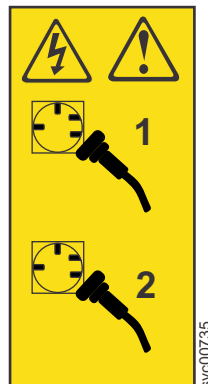
Before you begin

DANGER

Multiple power cords. The product might be equipped with multiple power cords. To remove all hazardous voltages, disconnect all power cords. (L003)



or



or



You must remove and replace the microprocessor when you replace the system board. Ensure that you have alcohol wipes and thermal grease available to correctly perform this task.

Before you proceed with the system board removal, ensure that you do the following:

- Have a static-protected surface available to hold the components that you remove from the old system board.
- Follow all standard safety and handling instructions. The components that you will be handling are electrostatic-discharge sensitive. Take precautions to avoid damage from static electricity. Wear an anti-static wrist strap and use a static-protected mat or surface. For more information, see “Handling static-sensitive devices” on page xxi.

About this task

This service action requires you to remove the cover and:

- Turn the node off.
- Disconnect the power cables.
- Disconnect the data cables.

Notes:

- You must remove a number of components before you can remove and replace the system board. You will reuse all the components with the new system board. Therefore, take care when you remove and store these components.
- Each connector on the system board has its use printed next to it on the board.
- All left or right observations are when you are looking at the front of the unit.

To remove the system board, perform the following steps:

Procedure

1. Read the safety information to which “Preparing to remove and replace parts” on page 26 refers.
2. Follow the procedure in MAP 5350 in the *IBM System Storage SAN Volume Controller Troubleshooting Guide* to verify that the node data is mirrored and synchronized, and that there are no dependent volumes before turning off the node.
3. Slide the node out on its slide rails to the fully extended position.
4. When the node is completely turned off, remove the cable-retention brackets and disconnect the power cables, as described in “Removing the cable-retention bracket” on page 34.
5. To make sure that you can replace all cables in the same ports from which they were removed, label the port position of each Fibre Channel and Ethernet cable; then remove all cables from the back of the node.
6. Optional: Remove the node from the rack and place it on a flat, static-protective surface. See “Removing the SAN Volume Controller from a rack” on page 47.
You can perform most service actions when the node is fully extended from the rack on its slide rails. If the location of the node in the rack is too high or too low to work comfortably, you can remove the node from the rack.
7. Remove the top cover. See “Removing the top cover” on page 80.
8. Remove the Fibre Channel adapter and riser-card assembly from slot 1. Set the adapter and riser card aside on the static-protected surface. See “Removing the Fibre Channel adapter assembly” on page 185.
9. Remove the high-speed SAS adapter and riser card assembly from slot 2, if it is present, as described in “Removing the SAN Volume Controller 2145-CG8 or 2145-CF8 high-speed SAS adapter assembly” on page 206.
10. Remove the 10 Gbps Ethernet adapter assembly from connector slot 2, if it is present, as described in “Removing the 10 Gbps Ethernet riser-card assembly” on page 200.
11. Remove the disk-controller and USB riser-card assembly, as described in “Removing the SAN Volume Controller 2145-CG8 or 2145-CF8 disk-controller and USB riser-card assembly” on page 217.
12. Remove the power supplies, as described in “Removing a SAN Volume Controller 2145-CG8 or 2145-CF8 power supply” on page 161.
13. Remove the microprocessor in slot 1, as described in “Removing the SAN Volume Controller 2145-CG8 or 2145-CF8 microprocessor” on page 264; then remove the white plastic air baffles by lifting them straight up.
14. Remove the memory modules and set them aside on a static-protective surface, as described in “Removing the memory modules (DIMM)” on page 107.

Note: Make a note of the location of each DIMM as you remove it, so that you can later reinstall it in the same connector.

15. Disconnect all cables from the system board. Make a list of each cable as you disconnect it; you can then use this as a checklist when you install the new system board.
16. Remove the hot-swap fans, as described in “Removing the SAN Volume Controller 2145-CG8 or 2145-CF8 fans” on page 251.
17. Press the fan bracket release latches (one is to the left of fan 6 and one is to the right of fan 1) inward toward the fans and rotate the fan assembly brackets up toward the front of the node.
18. Grasp the system board handle (**1** in Figure 272) and slide the system board away from the back of the node. Lift the side of the system board that is nearer to the power supply units slightly so that it disengages from the locator pin; then, slide the system board slightly toward the left of the node, as shown in Figure 272.

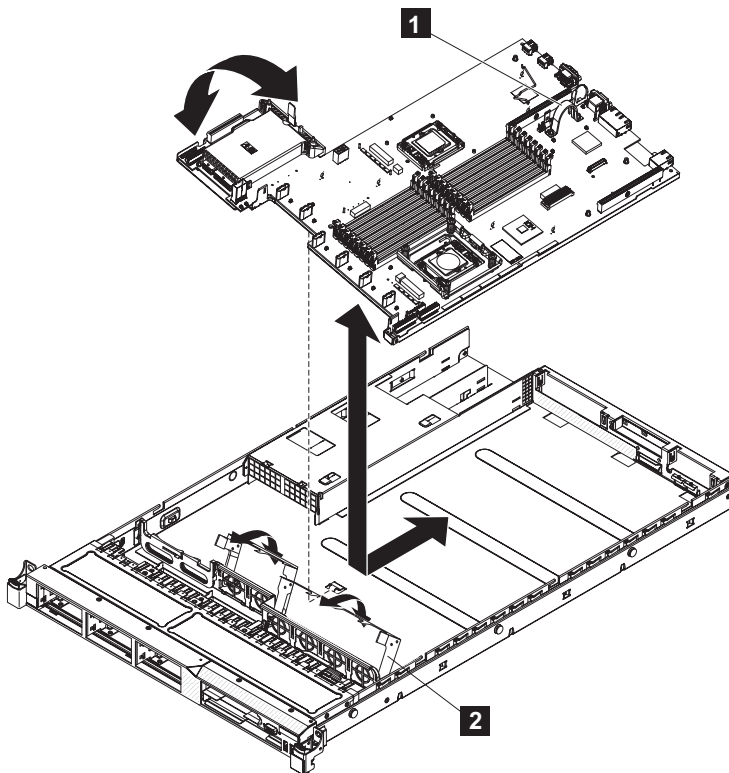


Figure 272. Removing and replacing the SAN Volume Controller 2145-CG8 or 2145-CF8 system board

- 1** System-board handle
- 2** Fan-assembly bracket

19. Lift up the system board and carefully remove it from the node, being careful not to damage any surrounding components.
20. If you are instructed to return the system board, follow all packaging instructions, and use any packaging materials for shipping that are supplied to you.

Removing the SAN Volume Controller 2145-8A4 system board

You must remove the system board if you are instructed to replace the SAN Volume Controller 2145-8A4 system board field-replaceable unit (FRU).

Before you begin

You must remove and replace the microprocessor when you replace the system board. Also, ensure that you have alcohol wipes and thermal grease available to correctly perform this task.

Before you proceed with the system board removal, ensure that you do the following:

- Identify and label all the cables that are attached to the SAN Volume Controller 2145-8A4 node so they can be replaced in the same port.
- Have a static-protected surface available to hold the components that you remove from the old system board.
- Follow all standard safety and handling instructions. The components that you will be handling are electrostatic-discharge sensitive.

Take precautions to avoid damage from static electricity. Wear an anti-static wrist strap and use a static-protected mat or surface. For more information, see “Handling static-sensitive devices” on page xxi.

Notes:

- You must remove a number of components before you can remove and replace the system board. You will reuse all the components that are removed with the new system board. Therefore, take care when you remove and store these components.
- Each connector on the system board has its use printed next to it on the board.

About this task

To remove the system board, perform the following steps:

Procedure

1. Read the safety precautions in “Safety and environmental notices” on page xiii.
2. Ensure that the node is turned off. If the node is an active member of a cluster, you must take care not to turn off the only node that services one or more VDIs, because the host applications will lose access to their data. See MAP 5350 in the *IBM System Storage SAN Volume Controller Troubleshooting Guide*.
3. Remove the cable-retention bracket and disconnect the power cable from the node. See “Removing the cable-retention bracket” on page 34.
4. Remove the node from the rack and place it on a flat, static-protective surface. See “Removing the SAN Volume Controller from a rack” on page 47.
5. Remove the top cover. See “Removing the top cover” on page 80.
6. Remove the riser-card and Fibre Channel adapter. Place them on a static-protective surface for reinstallation. You do not need to separate the riser-card and Fibre Channel adapter assembly. See “Removing the Fibre Channel adapter assembly” on page 185.
7. Mark the cables to ensure that you know where each one goes. Figure 273 on page 291 shows the connectors on the SAN Volume Controller 2145-8A4 system board.

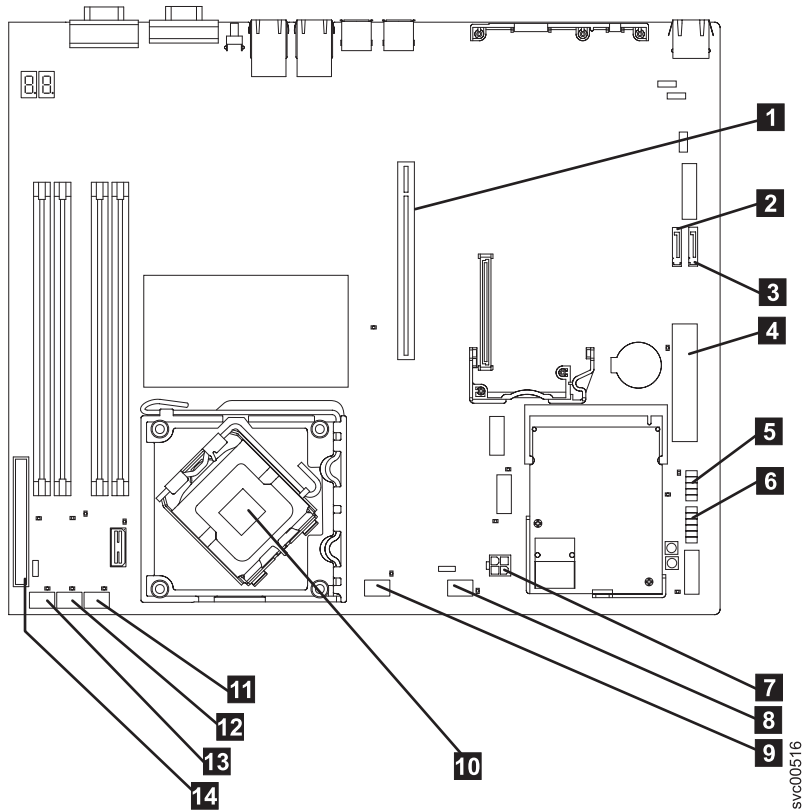


Figure 273. Connectors that are used on the SAN Volume Controller 2145-8A4 system board

- 1** PCI express riser card connector
- 2** SATA 2 connector
- 3** SATA 0 connector
- 4** Power connector P1
- 5** Front USB connector
- 6** Operator-information panel connector
- 7** Power connector P6
- 8** Fan 5 connector
- 9** Fan 4 connector
- 10** Microprocessor connector
- 11** Fan 3 connector
- 12** Fan 2 connector
- 13** Fan 1 connector
- 14** IDE connector

8. Disconnect and remove both SATA disk cables from sockets SATA 0 and SATA from the system board, as shown in Figure 274 on page 292.

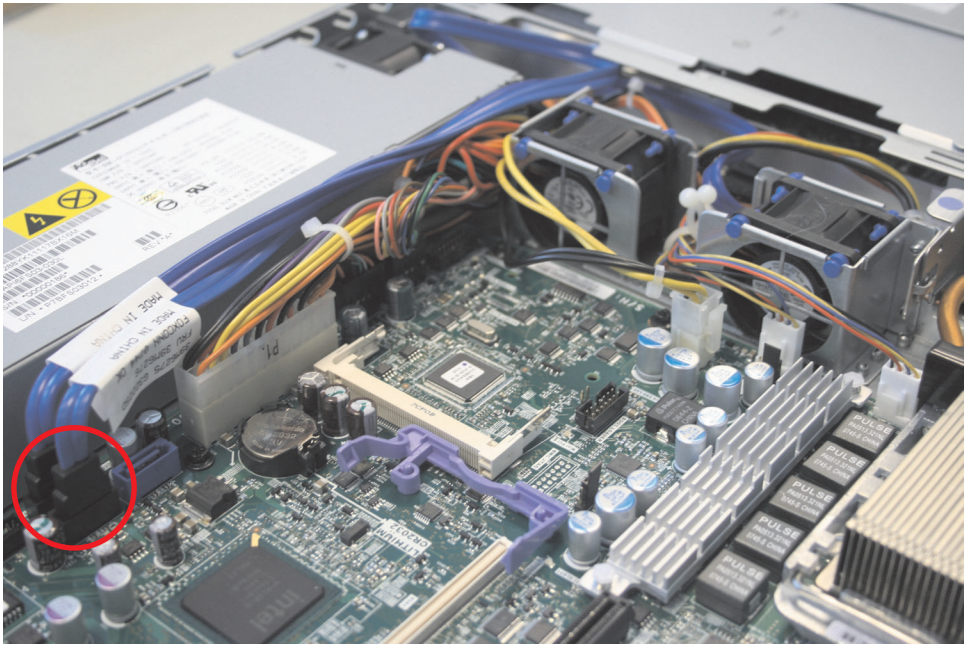


Figure 274. SAN Volume Controller 2145-8A4 SATA cable connectors

9. Remove power connectors P1 **1** and P6 **2**, as shown in Figure 275.

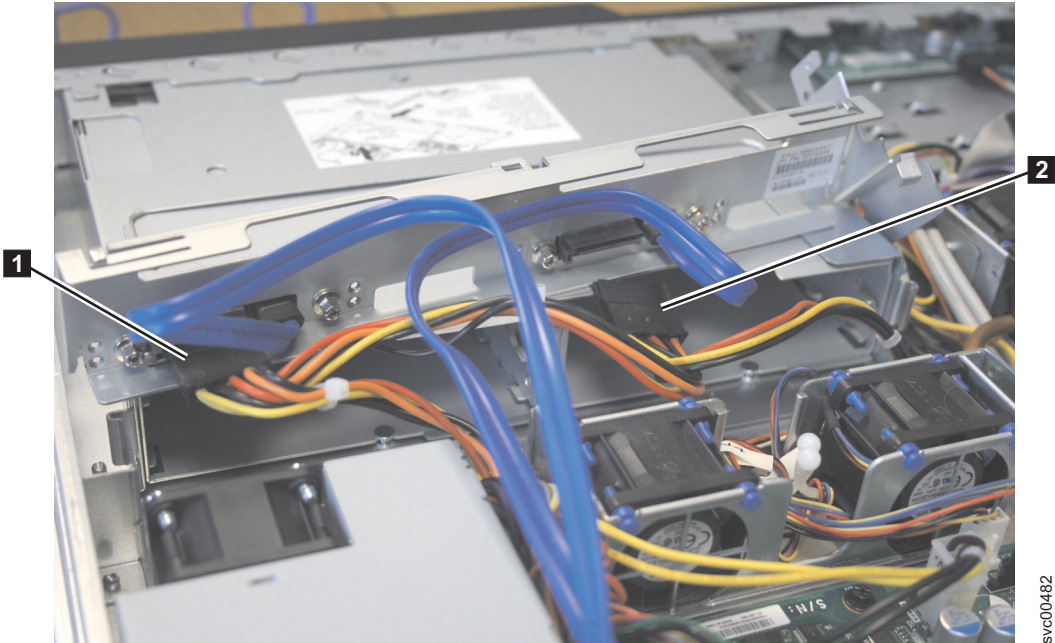


Figure 275. SAN Volume Controller 2145-8A4 power supply connectors

- 10. Remove the cables from the Front USB and the Front panel sockets.
- 11. Remove the cable from the IDE connector, which is identified in Figure 276 on page 293.



Figure 276. The IDE connector on the SAN Volume Controller 2145-8A4 system board

12. Remove the five fan connectors along the front edge of the system board. Figure 277 on page 294 shows three of the fan connectors.

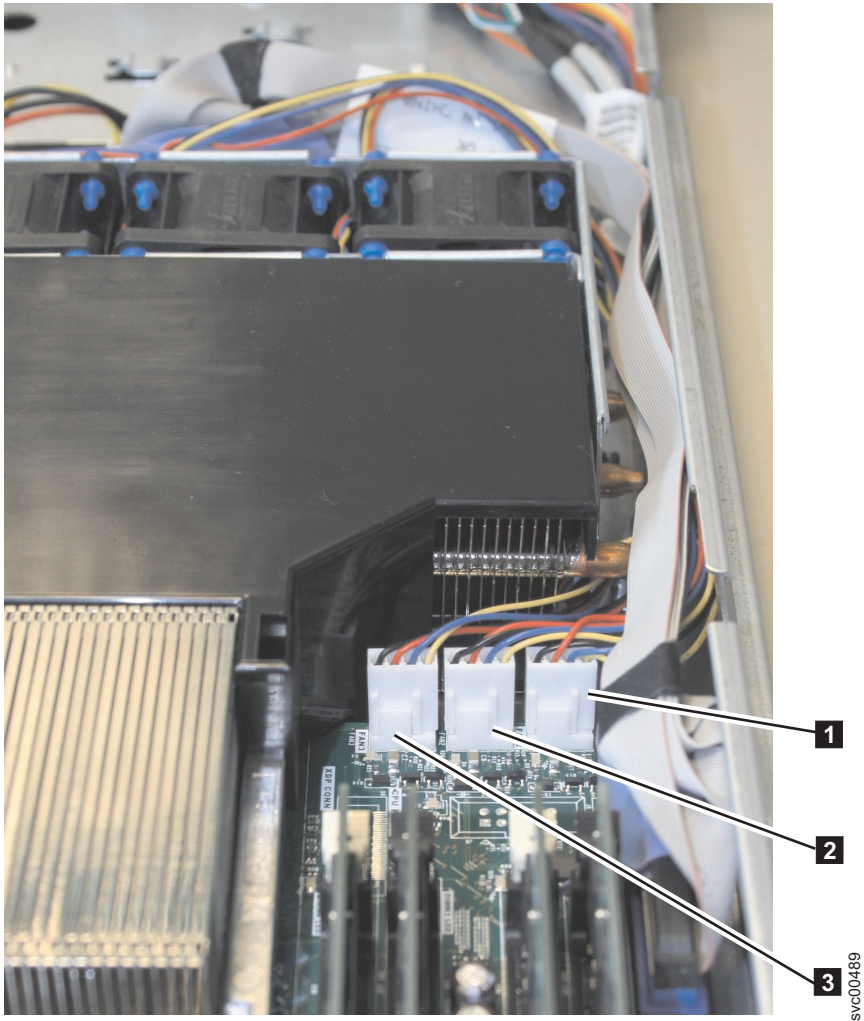
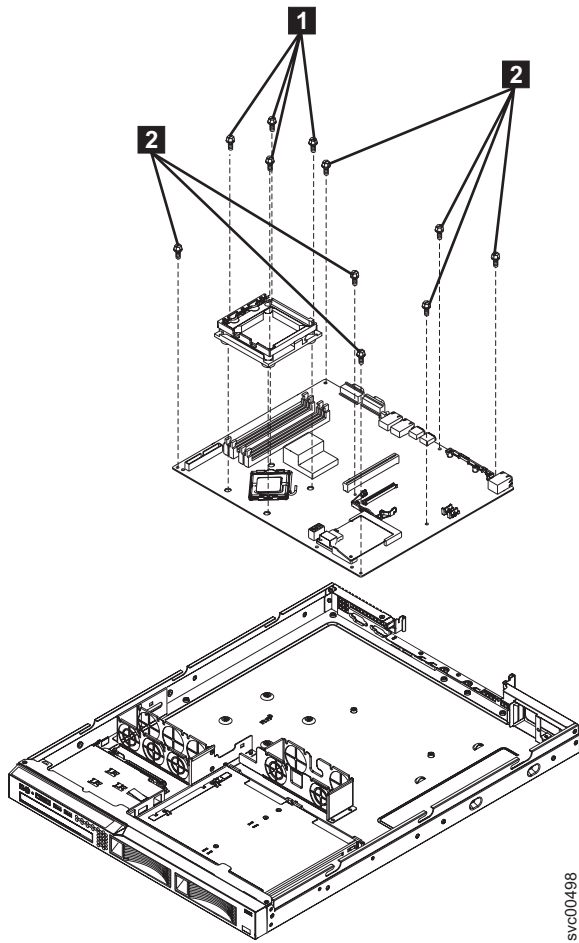


Figure 277. Connectors for the SAN Volume Controller 2145-8A4 heat exchange fans

13. Remove the four memory modules and place them on a static-protective surface for reinstallation. See “Removing the memory modules (DIMM)” on page 107.
14. Remove the heat-sink air baffle and the heat sink. Clean the thermal grease from the microprocessor before you remove it. You can also clean the heat sink now.
15. Remove the microprocessor. See “Removing the microprocessor” on page 264.
16. Notice the orientation of the microprocessor retention module and then remove the four screws (1 in Figure 278 on page 295) that hold the microprocessor retention module to the system board. Then, lift the retention module out of the server.



svc00498

Figure 278. SAN Volume Controller 2145-8A4 system board and microprocessor retention module

17. Remove the remaining eight screws (2 in Figure 278) that secure the system board to the chassis. Put the screws in a safe place.
18. Lift the system board out of the server.

Removing the SAN Volume Controller 2145-8G4 system board

You must remove the system board if you are instructed to replace the SAN Volume Controller 2145-8G4 system board FRU.

Before you begin

The system board field-replaceable unit (FRU) consists of the planar. You must order alcohol wipes and thermal grease separately. There are two versions of the SAN Volume Controller 2145-8G4. The original version (Rev 1) has two microprocessors and eight 1 GB memory modules. The second version (Rev 2) has one microprocessor and four 2 GB memory modules.

About this task

Before you proceed with the system board removal, ensure that you do the following:

- Identify and label all the cables that are attached to the SAN Volume Controller 2145-8G4 node so they can be replaced in the same port.
- Have a static-protected surface available to hold the components that you removed from the old system board.

You must follow all standard safety and handling instructions. The components that you will be handling are electrostatic-discharge sensitive. Take precautions to avoid damage from static electricity. Wear an anti-static wrist strap and use a static-protected mat or surface. For more information, see “Handling static-sensitive devices” on page xxi.

Notes:

1. All left or right observations are when you are looking at the front of the unit.
2. You must remove a number of components before you can remove and replace the system board. You will reuse all the components that are removed with the new system board. Therefore, take care when you remove and store these components.

Perform the following steps to remove the system board:

Procedure

1. Ensure that the node is turned off. If the node is an active member of a cluster, you must take care not to turn off the only node servicing one or more VDisks, because the host applications will lose access to their data. See MAP 5350 in the *IBM System Storage SAN Volume Controller Troubleshooting Guide* for more information.
2. Remove the node from the rack and place it on a flat, static-protective surface. See “Removing the SAN Volume Controller from a rack” on page 47.
3. Remove the top cover. See “Removing the top cover” on page 80.
4. Remove the Fibre Channel adapter and riser card in slot 1. Set the adapter and riser card aside on the static-protected surface. See “Removing the Fibre Channel adapter assembly” on page 185.
5. Remove the riser card in slot 2.
6. Disconnect the first set of cables from the system board, which are shown in Figure 279 on page 297. From the left front side of the system board, remove the following:
 - a. The right disk signal cable connector **1**.
 - b. The left disk signal cable connector **2**.
 - c. The fan 1 connector **3**. To remove the fan connectors, press the release latch in the center and then pull up.
 - d. The fan 2 connector **4**.

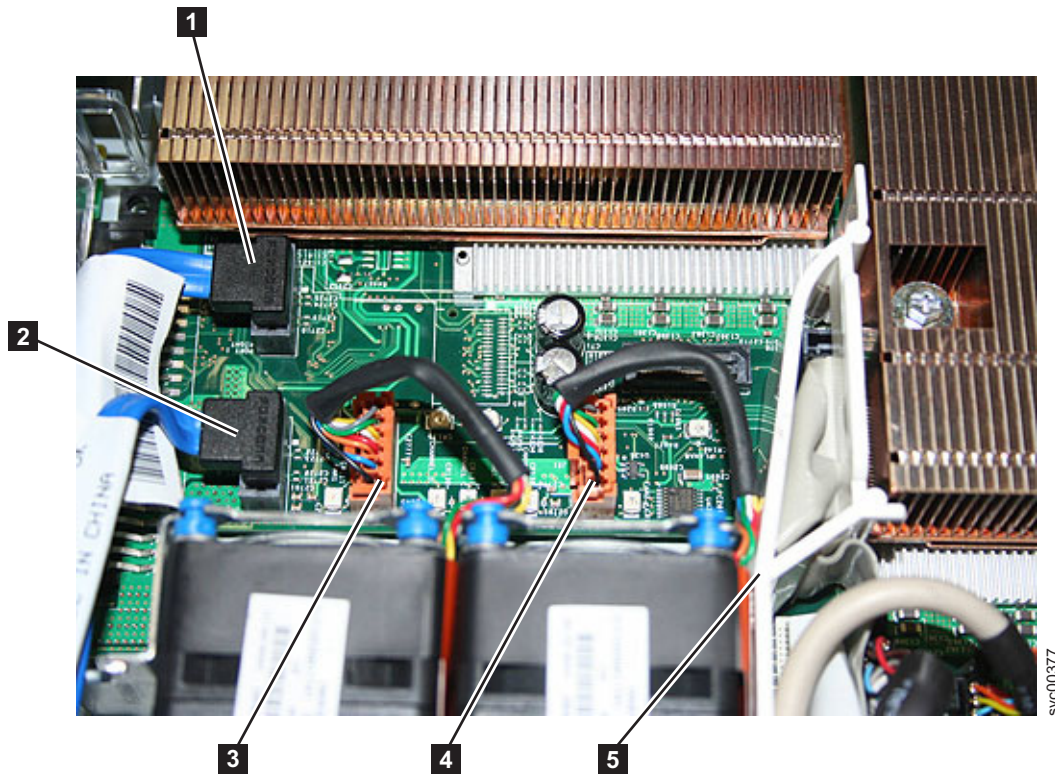


Figure 279. Connectors on the SAN Volume Controller 2145-8G4 system board

7. To ease other tasks, remove fan 2.
8. Notice how the cables are arranged within and beside the left air baffle **5**. Then remove the left air baffle by pulling up gently.

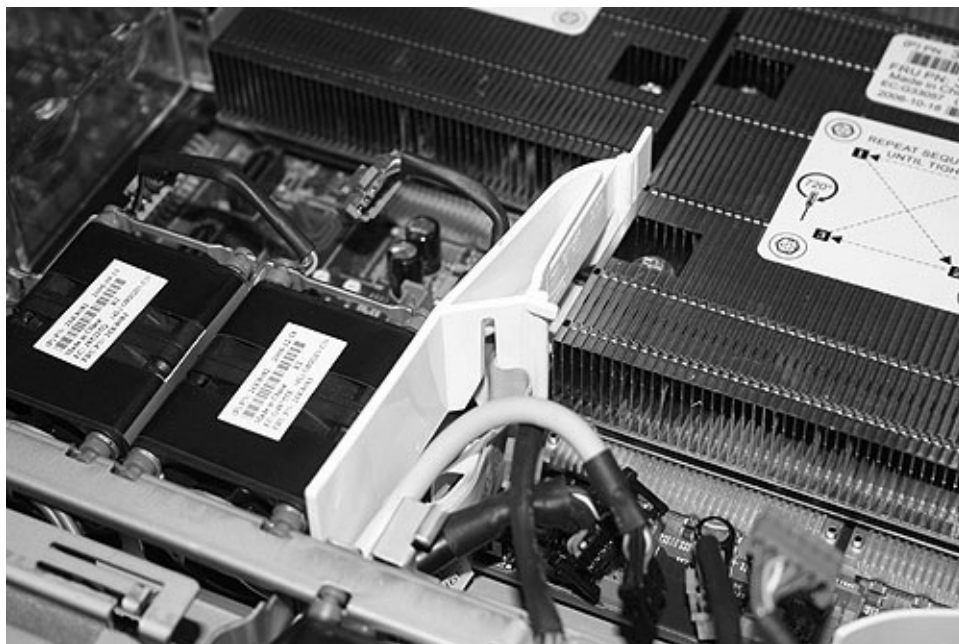


Figure 280. Left air baffle on the SAN Volume Controller 2145-8G4

9. Disconnect the connectors from the system board, which are shown in Figure 281. From the right front side of the system board, remove the following:
 - a. The fan 3 connector **5** by pressing the release latch in the center and then pulling up.
 - b. The fan 4 connector **6** by pressing the release latch in the center and then pulling up.
 - c. The fan 5 connector **7** by pressing the release latch in the center and then pulling up.
 - d. The fan 6 connector **8** by pressing the release latch in the center and then pulling up.
 - e. The uninterruptible power supply cable connector **4**.
 - f. The video cable connector **3**.

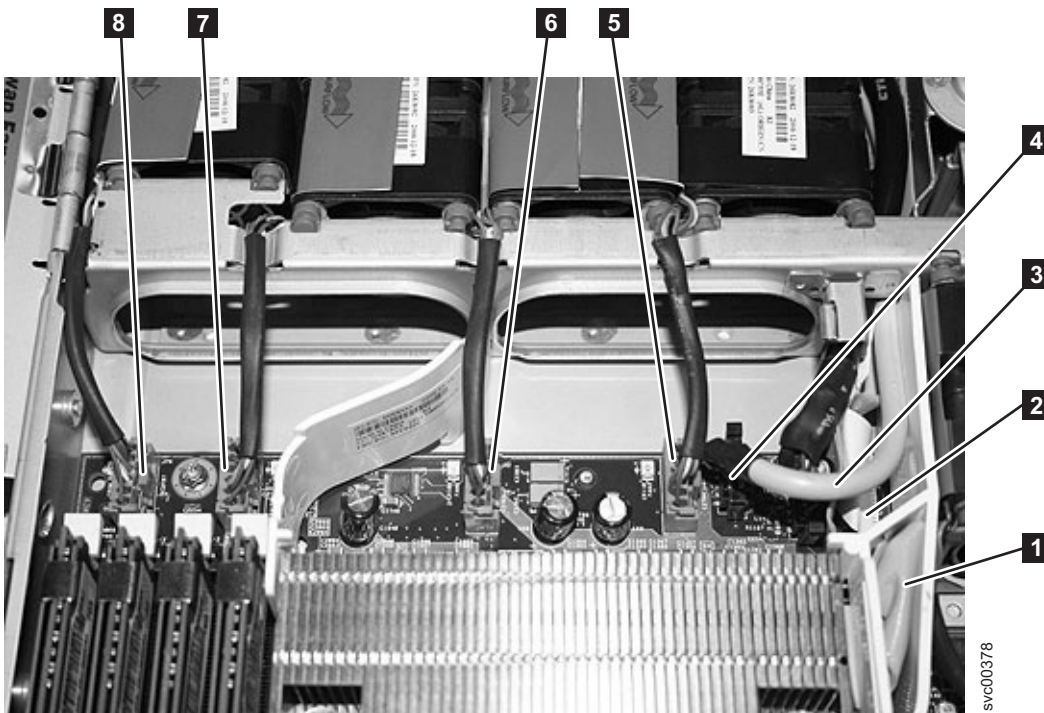


Figure 281. Connectors on the right front side of the SAN Volume Controller 2145-8G4 system board

10. Remove the remaining cables from the system board:
 - a. The CD-RW ribbon cable connector **1** by gently pulling the connector upward.
 - b. The light path ribbon cable connector **2** by gently pulling the connector upward.

All cables should now have been removed from the system board. You do not need to disconnect the disk power cable connector **1** on the power backplane **2**, which are shown in Figure 282 on page 299.

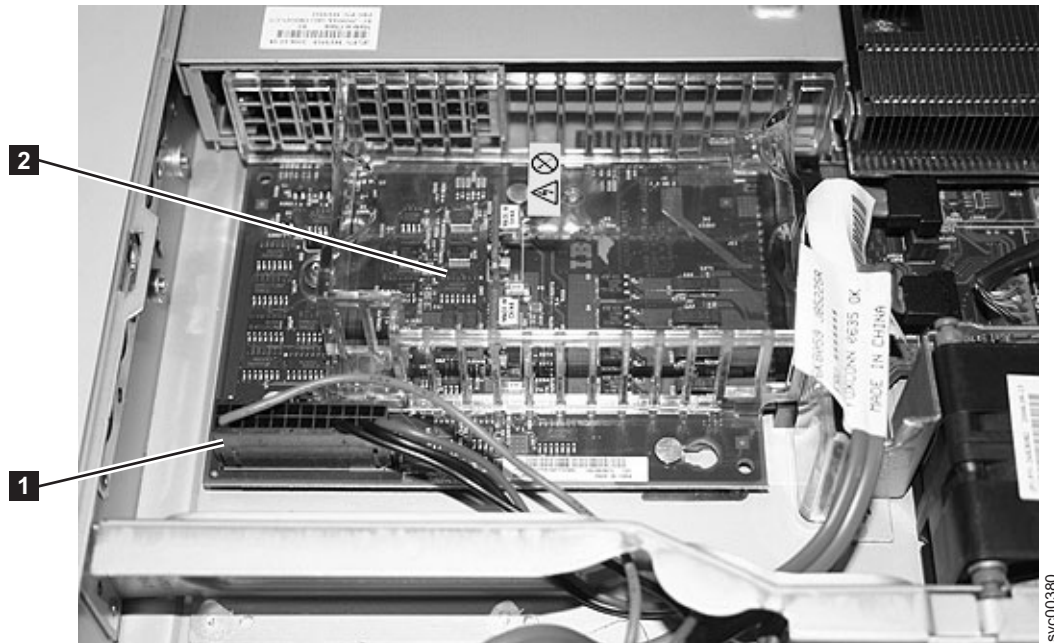


Figure 282. Disk power cable connector and power backplane on the SAN Volume Controller 2145-8G4 system board

11. Remove the right air baffle, which is shown in Figure 283. First, pull the air baffle to the right and then push the connector towards the back of the unit to release it from the support rail. Next, pull the baffle forward and then upward to release the clip from the system board. Finally, lift the baffle free.

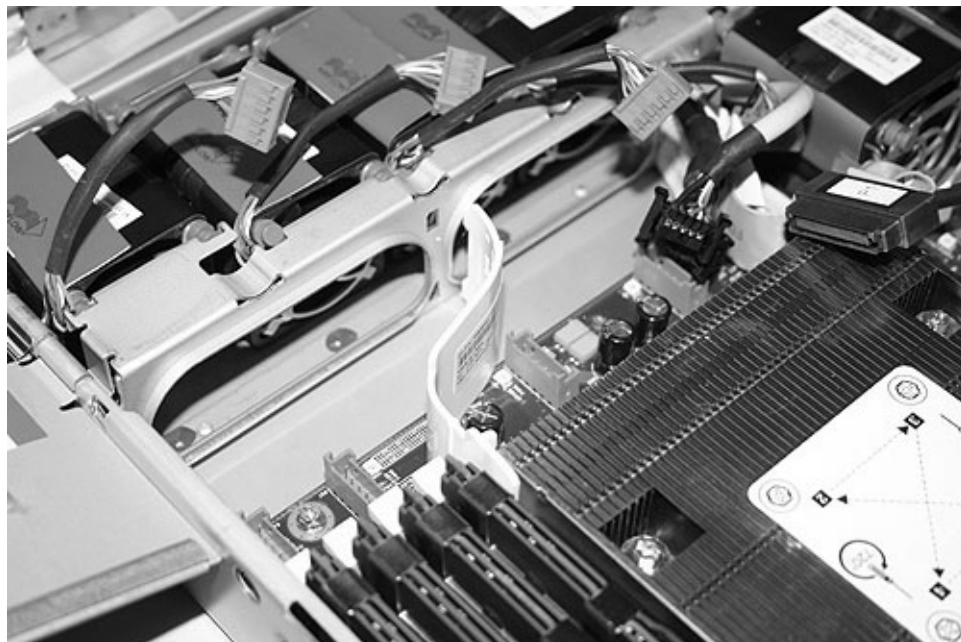


Figure 283. Right air baffle on the SAN Volume Controller 2145-8G4 system board

12. Carefully remove all the memory modules and set them aside on the static-protected surface. See “Removing the memory modules (DIMM)” on page 107.

13. Depending on the version of the SAN Volume Controller 2145-8G4 node, you must remove either one or two heat sinks. Remove the thermal grease from the heat sink, and set it aside on the static-protected surface.

Tip: Fully loosen both screws from one side of the heat sink before you loosen either screw on the other side to help break the thermal grease seal between the microprocessor and the heat sink.

Use an alcohol wipe to remove the thermal grease from the heat sink.

14. Clean the thermal grease from the top of each microprocessor with an alcohol wipe, as shown in Figure 284. Cleaning the microprocessor before it is removed reduces the amount of handling it is subjected to.

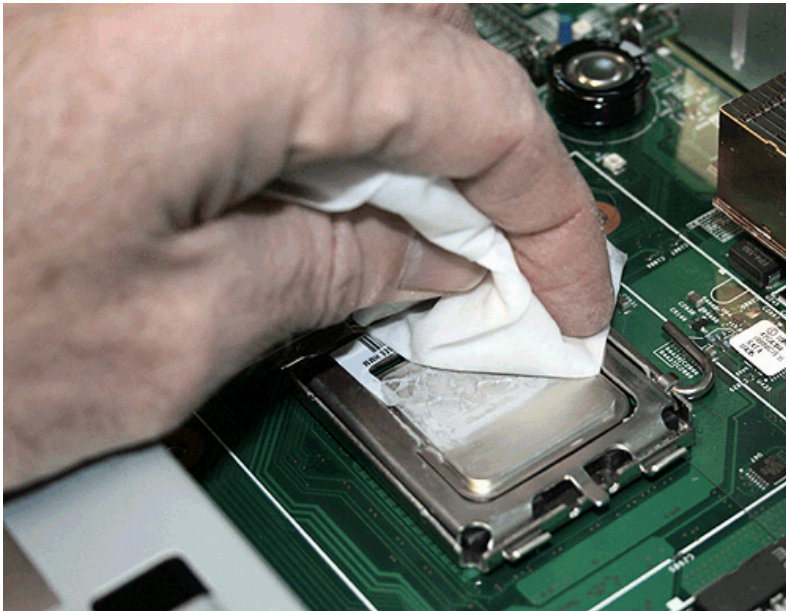
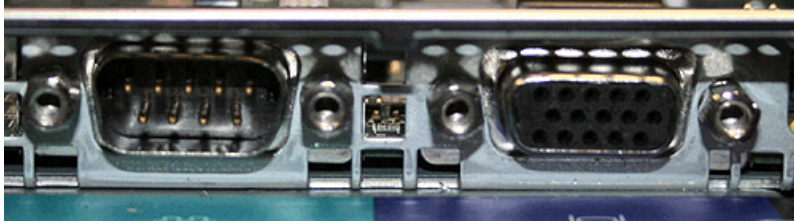


Figure 284. Removing thermal grease from the SAN Volume Controller 2145-8G4 microprocessor

15. Remove the microprocessors.
 - a. Open the microprocessor release lever and then open the bracket frame.
 - b. Carefully remove the microprocessor from the socket. Be careful to touch only the edges of the microprocessor.
 - c. Set the microprocessors aside on a static-protected surface.
16. Push down the orange clip and pull the power supply approximately two inches out of the chassis so it disconnects with the power backplane.
17. Disconnect the power backplane from the system board by sliding it to the left. Move it far enough to the side so it does not obstruct the system board removal. See "Removing the power backplane" on page 178.
18. Remove the four stand-off screws from by the serial and video I/O ports at the rear of the node. Figure 285 on page 301 shows the location of the stand-off screws.



svc00411

Figure 285. Serial and video ports on the SAN Volume Controller 2145-8G4

19. Remove the six screws on the system board, as shown in Figure 286, that secure the system board to the chassis.

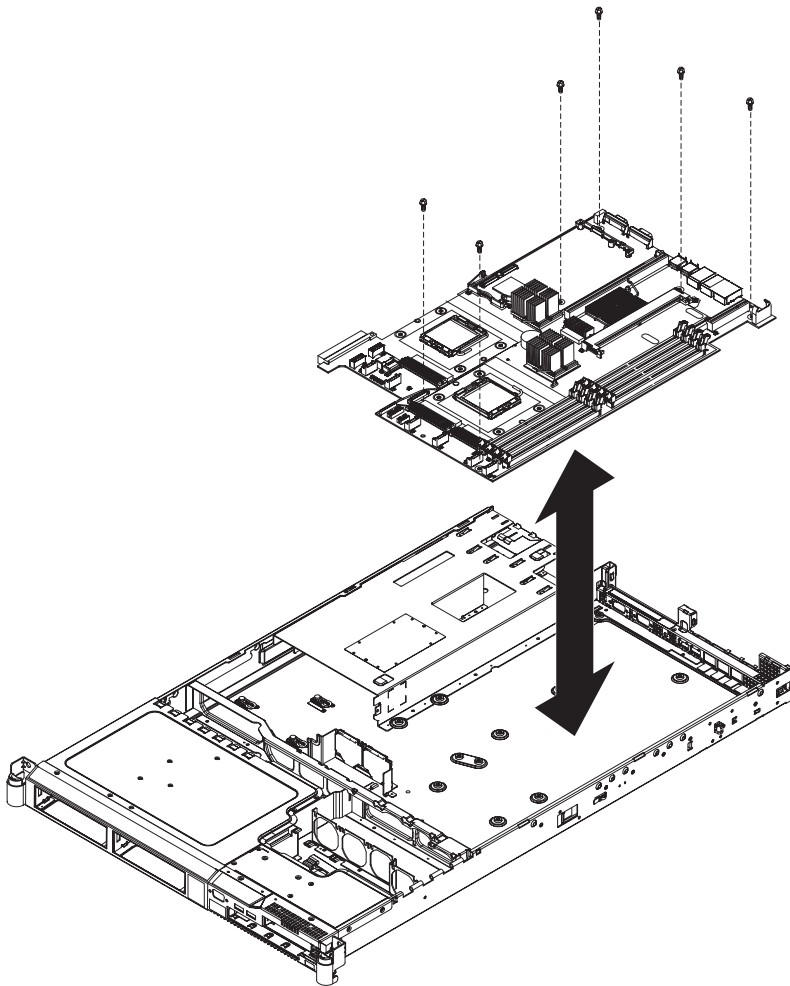


Figure 286. The placement of the screws that secure the SAN Volume Controller 2145-8G4 system board

20. Lift up the front edge of the system board slightly so that it disengages from the locator pin. Slide the system board slightly toward the front of the node so that the I/O ports are free of the chassis.
21. Lift up the left side of the system board.
22. Lift up the rest of the system board and carefully remove it from the node, being careful not to disturb any surrounding components.

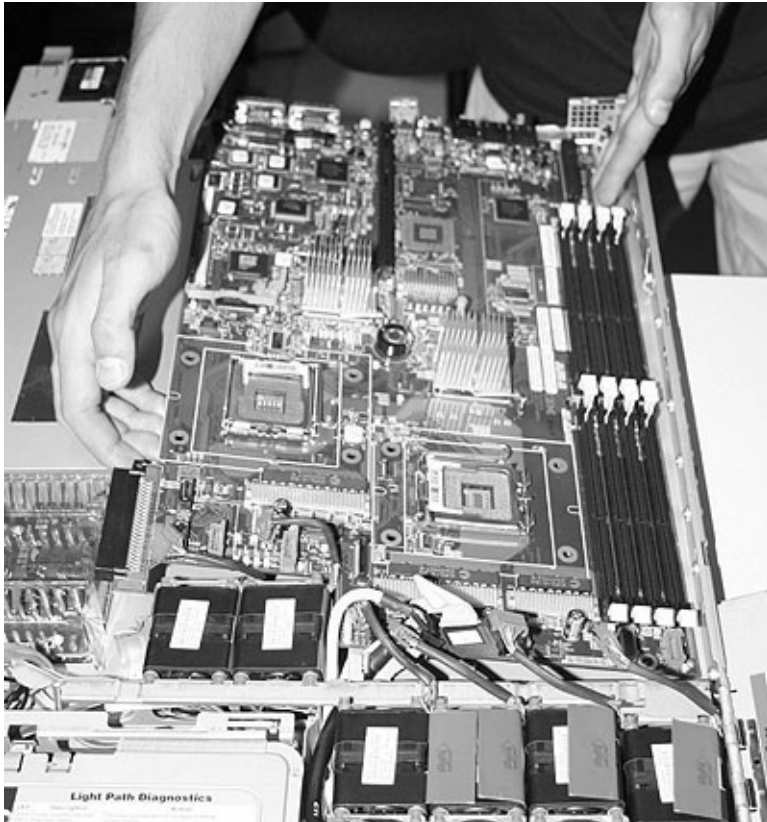


Figure 287. SAN Volume Controller 2145-8G4 system board

Replacing the SAN Volume Controller system board

You will reuse all the components from the system board that you are replacing with the new SAN Volume Controller system board field-replaceable unit (FRU).

Replacing the SAN Volume Controller 2145-CG8 or 2145-CF8 system board

All the components that were removed when you removed the system board are reused during the installation of the new system board.

Before you begin

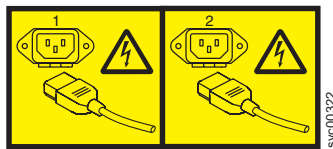
Ensure that you have a monitor and USB keyboard available because they are required during this procedure. You also need a power cable so that you can turn on the node while it is out of the rack, if necessary.

You must remove and replace the microprocessor when you replace the system board. Ensure that you have alcohol wipes and thermal grease available to correctly perform this task.

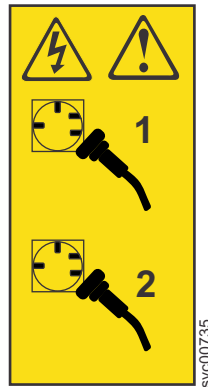
Note: When you reassemble the components in the node, be sure to route all cables carefully so that they are not exposed to excessive pressure.

DANGER

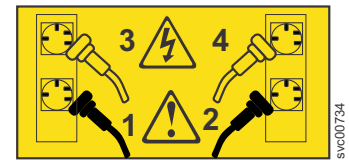
Multiple power cords. The product might be equipped with multiple power cords. To remove all hazardous voltages, disconnect all power cords. (L003)



or



or



About this task

This service action assumes that:

- The node is turned off.
- The power cables are disconnected.
- The top cover is removed.
- The system board is removed.

Perform the following steps to install the system board:

Procedure

1. Unpackage the new system board and set its jumpers appropriately, as shown in Figure 288 on page 304.

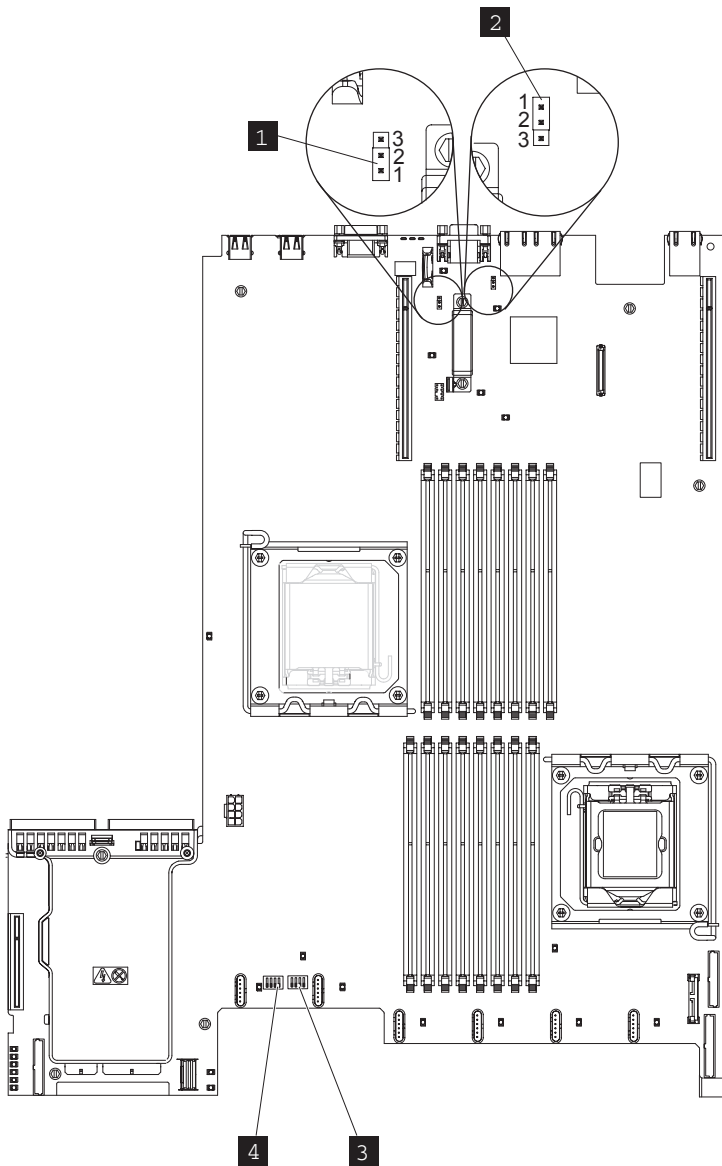


Figure 288. Setting jumpers on the system board

- 1** Jumper J29
- 2** Jumper J147
- 3** SW3 switch block
- 4** SW4 switch block

Set all switches in switch blocks SW3 and SW4 to OFF.

If equipped with a jumper, jump J29 pins 1 and 2. Otherwise, no jumper is required.

If equipped with a jumper, jump J147 pins 1 and 2. Otherwise, no jumper is required.

Tip: Jumpers J29 and J147 number pins from different starting positions.

2. Place the side of the system board assembly that is farther from the power supply units beneath the catches. Lower the opposite side of the system board until it is flat in the chassis. Align the rear connectors with the holes in the rear of the server and slide the system board towards the rear of the node, as shown in Figure 289 on page 305.

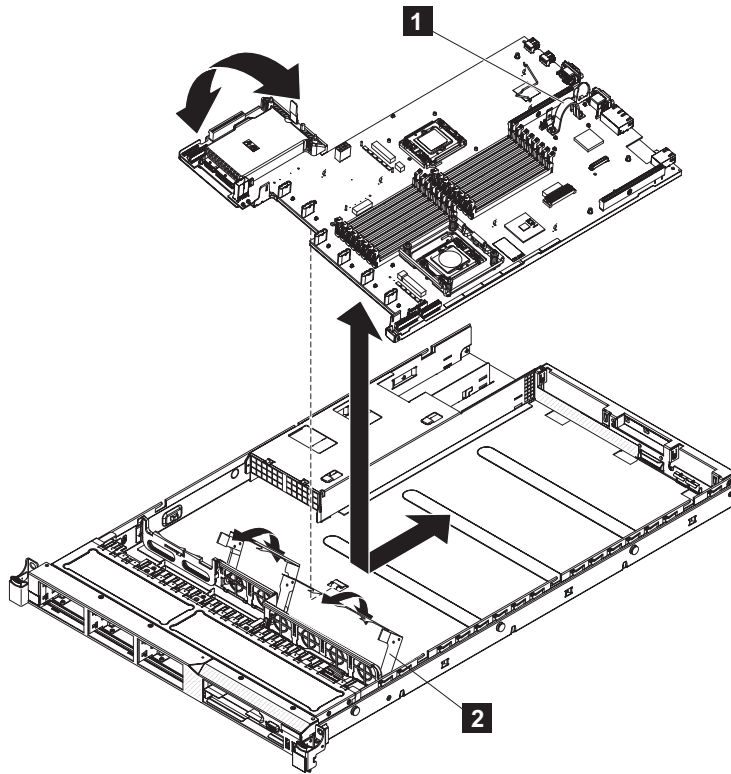


Figure 289. Removing and replacing the SAN Volume Controller 2145-CG8 or 2145-CF8 system board

- 1** System-board handle
- 2** Fan-assembly bracket

3. Grasp the fan assembly brackets and rotate them down toward the chassis.
4. Replace all of the cables that were removed previously.
5. Reinstall the hot-swap fans, as described in “Replacing the SAN Volume Controller 2145-CG8 or 2145-CF8 fans” on page 257.
6. Reinstall the microprocessor and heat sink, as described in “Replacing the SAN Volume Controller 2145-CG8 or 2145-CF8 microprocessor” on page 272.
7. Reinstall the DIMMs, as described in “Replacing the memory modules (DIMM)” on page 112.
8. Reinstall the white plastic air baffles.
9. Reinstall the power supply units, as described in “Replacing a SAN Volume Controller 2145-CG8 or 2145-CF8 power supply” on page 169.
10. Replace the disk-controller and USB riser-card assembly, as described in “Replacing the SAN Volume Controller 2145-CG8 or 2145-CF8 disk-controller and USB riser-card assembly” on page 220.
11. Replace the optional high-speed SAS-adapter and riser-card assembly, as described in “Replacing the SAN Volume Controller 2145-CG8 or 2145-CF8 high-speed SAS adapter assembly” on page 209.
12. Replace the Fibre Channel adapter and riser card. See “Replacing the Fibre Channel adapter assembly” on page 193.
13. Make sure that all cables, adapters, and other components are installed and seated correctly and that you have not left loose tools or parts inside the node. Make sure that all internal cables are correctly routed. If you disconnected the Fibre Channel and Ethernet cables, make sure that each cable is reconnected to the same port from which it was removed.
14. Replace the top cover. See “Replacing the top cover” on page 85.
15. If you removed the node from the rack, replace the node in the rack, as described in “Replacing the SAN Volume Controller in a rack” on page 58.

16. If you removed any Fibre Channel or Ethernet cables, use the labels you placed on each cable to replace all Fibre Channel and Ethernet cables in the same ports from which they were removed.
17. If you removed the power cords, replace the power cords and the cable-retention brackets, as described in "Replacing the cable-retention bracket" on page 40.
18. Lift the locking levers (**1** in Figure 290) on the slide rails and push the server **2** all the way into the rack until it clicks into place.

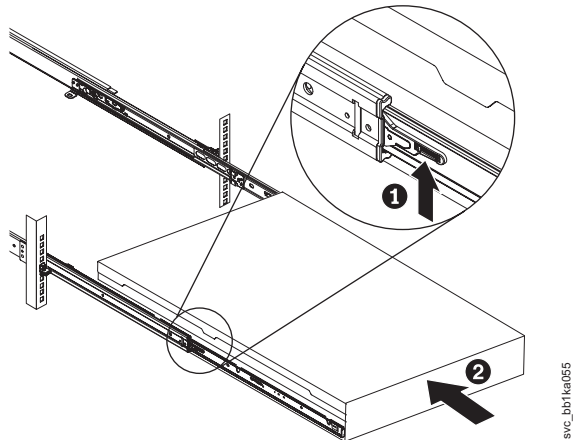


Figure 290. Raising the SAN Volume Controller 2145-CF8 or 2145-CG8 locking levers of the slide rails of the rack

19. Turn on the node. Wait for the front panel display to remain stable for at least five minutes before taking any further action.
 - If the repair has been successful and if the node was able to save its state data before shutting down, the node starts and rejoins the cluster. The front panel displays Cluster: and a cluster name if the node has rejoined a cluster.
 - If the repair has been successful but the node was not able to save its state data before shutting down, the node displays node error 578. Follow the procedures in "Deleting a node from a cluster" in the *IBM System Storage SAN Volume Controller Troubleshooting Guide* to delete the node from the cluster and then add it back into the cluster. If more than one node has failed, ensure that the node is added back into its original I/O group.
 - If any other message is shown on the front panel, use MAP 5000 to resolve the problem.

Note: It is essential that you perform all the stages of the next step to ensure that the replacement system is set to the serial number of the original machine. Failure to do this might invalidate the customer's warranty or service agreement.

20. After you make sure that the node is operating as part of the cluster, perform the following steps to restore the original machine serial number to the new system board:
 - a. Start the command-line interface (CLI).
 - b. Write down the 7-character serial number from the serial number label that is on the front of the node. Ignore any hyphens (-) in the serial number.
 - c. On the front-panel display, press and release the down button until the Node panel is displayed. Write down the node name that is shown on the bottom line.
 - d. Issue the following command, substituting the values for *nodeserialnumber* and *nodename* that you wrote in the previous steps:


```
writesernum -sernum nodeserialnumber nodename
```

 where *nodeserialnumber* is the serial number on the front of the node and *nodename* is the name of the node.

For example, to write the machine serial number to the system board when the serial number is “13-FEDCB” and the node name is “ZYXW3,” you would issue the following command:

```
writeserenum -sernum 13FEDCB ZYXW3
```

Note: The node will restart as soon as the serial number has been written to it.

Replacing the SAN Volume Controller 2145-8A4 system board

All the components that were removed when you removed the system board are reused during the installation of the new system board.

Before you begin

Ensure that you have a monitor and USB keyboard available because they are required during this procedure. You also need a power cable so that you can turn on the node while it is out of the rack.

Note: When you reassemble the components in the server, be sure to route all cables carefully so that they are not exposed to excessive pressure.

About this task

Perform the following steps to install the system board:

Procedure

1. Align the system board with the chassis, and replace the eight screws that you removed
2. Orient the microprocessor retention module as shown in Figure 291.

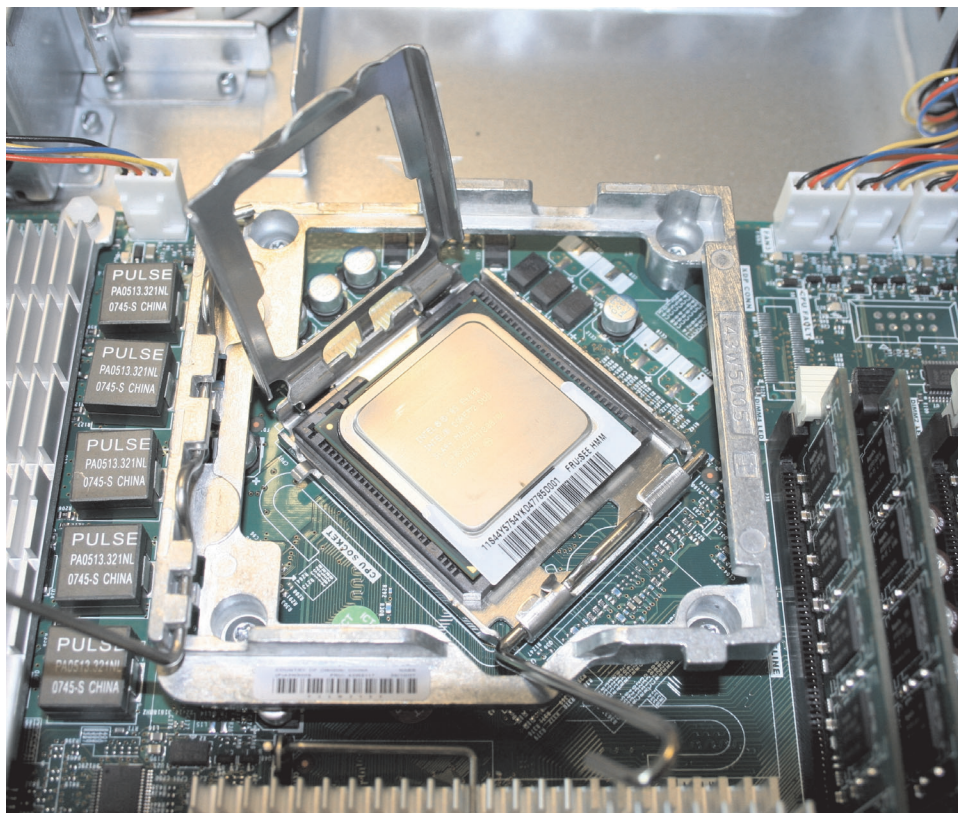


Figure 291. The SAN Volume Controller 2145-8A4 microprocessor bracket frame fully opened

Attention: In the following step, do not overtighten the screws or touch the system board with the screwdriver. Tighten the screws only until they are snug, and then tighten them an additional quarter turn.

3. Replace the microprocessor retention module. Gently secure it with the four screws that you removed.
4. Replace the microprocessor, heat sink, and air baffle. See “Replacing the microprocessor” on page 272.
5. Replace the memory modules. See “Replacing the memory modules (DIMM)” on page 112.
6. Replace the fan connectors. See “Replacing the fans” on page 257.
7. Reconnect the cable to the IDE connector.
8. Reconnect the cables to the front USB and the front panel sockets.
9. Replace power connectors P1 and P6.
10. Replace the riser-card and Fibre Channel adapter, and place them on a static-protective surface for reinstallation. See “Replacing the Fibre Channel adapter assembly” on page 193.
11. Replace the top cover. See “Replacing the top cover” on page 85.
12. You must change a BIOS configuration setting before SAN Volume Controller can operate. Ensure that you read and understand these next steps before you proceed because some panels time out when there is no input for 30 seconds.
 - a. Connect a display and keyboard to the node.
 - b. Connect a power cable (it does not need to be from the 2145 UPS-1U).
 - c. Turn on the node.
13. A number of messages are displayed and then message 3001 is displayed:

ERROR
3001 SMART Failure Predicted on Hard Drive

This prediction is not correct. It is displayed because the SAN Volume Controller front panel attaches as a disk drive. After a short pause, the Setup Utility main menu is displayed, but the menu exits if you do not perform an action within 30 seconds.

Perform the following steps to change the BIOS configuration setting:

 - a. Press the down arrow key to move to the Start Options menu and press the Enter key to select it. The current start options settings are displayed.
 - b. Press the down arrow to move to the HDD S.M.A.R.T. Capability option and press the right arrow key to change it to **Disabled**.
 - c. Press the Esc key to return to the main menu and then press the down arrow key to move to the Save Settings option.
 - d. Press the Enter key to select it and then press the Enter key again to confirm that you want to save the settings.
14. After you have saved the settings, press the power button on the operator-information panel to turn off the node. Remove the power cable, keyboard, and monitor.
15. Place the node in the rack. See “Replacing the SAN Volume Controller in a rack” on page 58.
16. Reconnect the Fibre Channel and Ethernet cables. Ensure that you replace the Fibre Channel and Ethernet cables in the same ports from which they were removed.
17. Replace the cable-retention bracket. See “Replacing the cable-retention bracket” on page 40.
18. Turn on the node. Wait for the front-panel display to remain stable for at least five minutes before taking any further action.
 - If the repair has been successful and if the node was able to save its state data before shutting down, the node starts and rejoins the cluster. The front panel displays Cluster: and a cluster name if the node has rejoined a cluster.
 - If the repair has been successful but the node was not able to save its state data before shutting down, the node displays node error 578. Follow the procedures in "Deleting a node from a cluster"

in the *IBM System Storage SAN Volume Controller Troubleshooting Guide* to delete the node from the cluster and then add it back into the cluster. If more than one node has failed, ensure that the node is added back into its original I/O group.

- If any other message is shown on the front panel, use MAP 5000 in the *IBM System Storage SAN Volume Controller Troubleshooting Guide* to resolve the problem.

Note: It is essential that you perform all the stages of the next step to ensure that the replacement system is set to the serial number of the original machine. Failure to do this might invalidate the customer's warranty or service agreement.

19. After you make sure that the node is operating as part of the cluster, perform the following steps to restore the original machine serial number to the new system board:
 - a. Start the command-line interface (CLI).
 - b. Write down the 7-character serial number from the serial number label that is on the front of the node. Ignore any hyphens (-) in the serial number.
 - c. On the front-panel display, press and release the down button until the Node panel is displayed. Write down the node name that is shown on the bottom line.
 - d. Issue the following command, substituting the values for *nodeserialnumber* and *nodename* that you wrote in the previous steps:

```
writesernum -sernum nodeserialnumber nodename
```

where *nodeserialnumber* is the serial number on the front of the node and *nodename* is the name of the node.

For example, to write the machine serial number to the system board when the serial number is "13-FEDCB" and the node name is "ZYXW3," you would issue the following command:

```
writesernum -sernum 13FEDCB ZYXW3
```

Note: The node will restart as soon as the serial number has been written to it.

Replacing the SAN Volume Controller 2145-8G4 system board

All the components that were removed when you removed the system board are reused during the installation of the new system board.

Before you begin

There are two versions of the SAN Volume Controller 2145-8G4. The original version (Rev 1) has two microprocessors and eight 1 GB memory modules. The second version (Rev 2) has one microprocessor and four 2 GB memory modules.

About this task

Perform the following steps to install the system board:

Procedure

1. Lower the right side into place with the system board positioned slightly towards the front of the box. Lower the left edge of the system board into place and then push the system board towards the back of the box until it engages in place and the screw holes line up. Take care to ensure that the Ethernet ports on the rear of the system board engage in the frame cutouts.

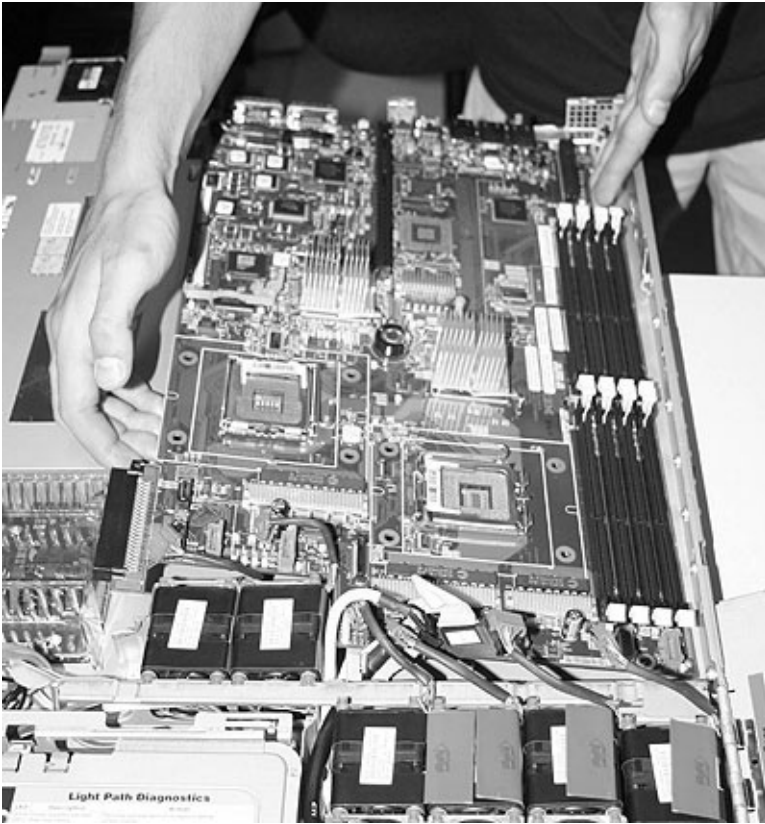


Figure 292. SAN Volume Controller 2145-8G4 system board

2. Replace the six screws on the system board, as shown in Figure 293 on page 311, to secure the system board to the chassis.

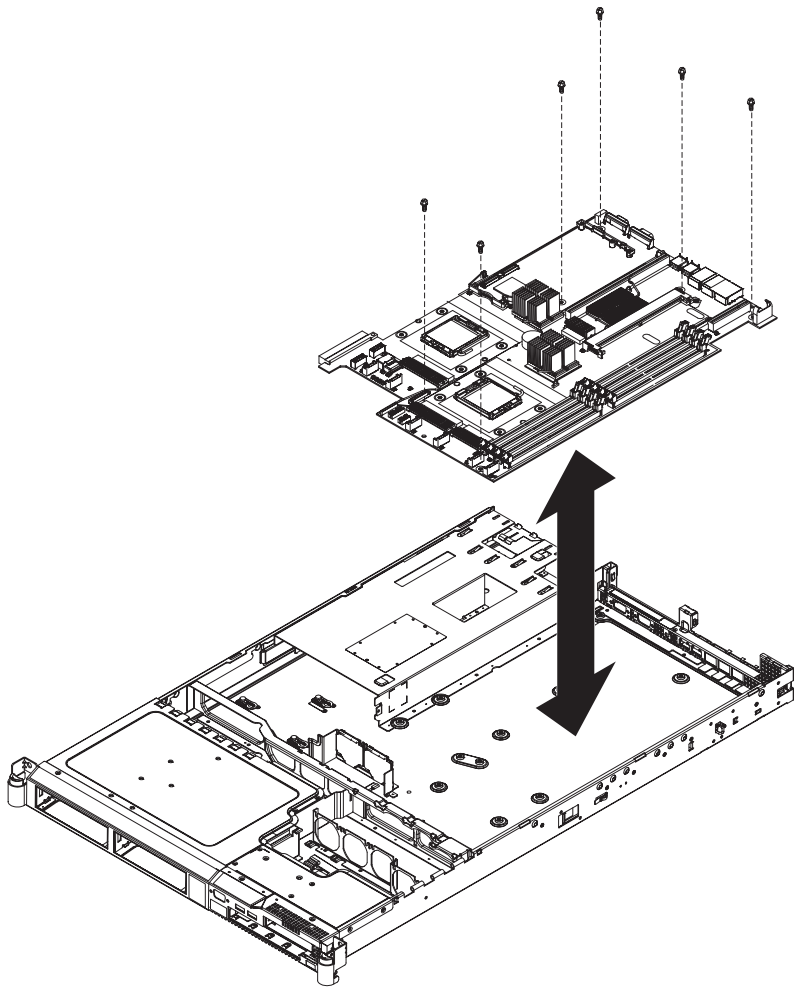


Figure 293. The placement of the screws that secure the SAN Volume Controller 2145-8G4 system board

3. Replace the four stand-off screws from beside the I/O ports at the rear of the server. Figure 294 shows the location of the stand-off screws.

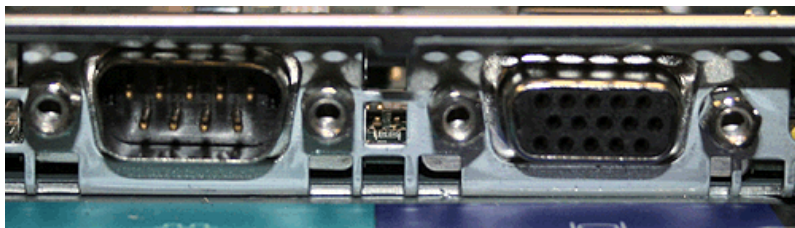


Figure 294. Serial and video ports on the SAN Volume Controller 2145-8G4

4. Replace the power backplane by pushing it right to connect it to the system board and pushing the power supply back in to connect to it. See “Replacing the power backplane” on page 180.
5. Install one of the microprocessors while carefully checking the orientation and remembering to close the release lever, which is shown in Figure 295 on page 312.

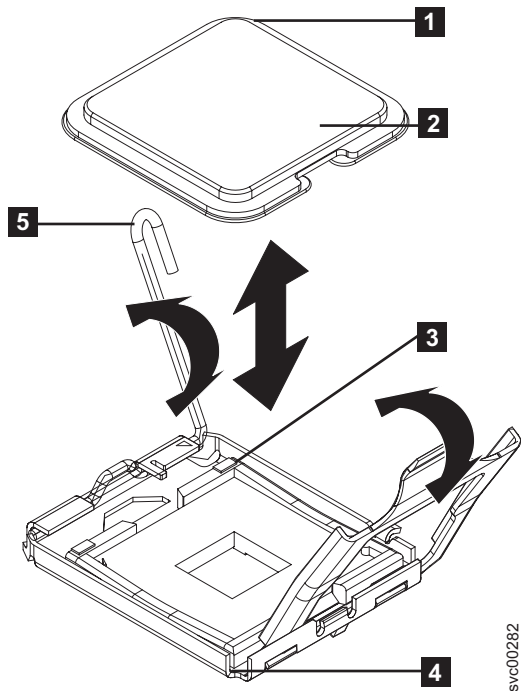
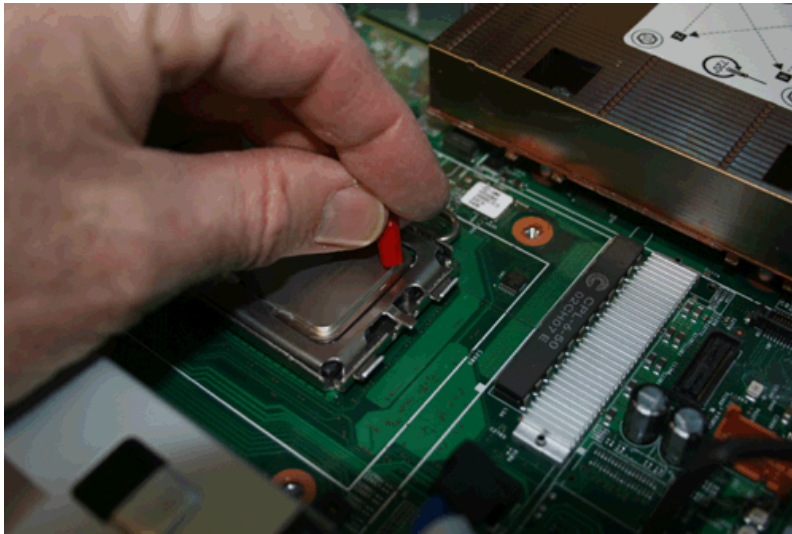


Figure 295. Installing the microprocessor

- 1** Microprocessor orientation indicator
 - 2** Microprocessor
 - 3** Microprocessor orientation indicator
 - 4** Microprocessor connector
 - 5** Microprocessor release lever
6. Install a heat sink. If this is an original version of the SAN Volume Controller 2145-8G4 node, you will install the other heat sink in step 7 on page 313.
 - a. Apply thermal grease to the top of the microprocessor. Apply nine dots of thermal grease in three rows of three dots each with the outer rows approximately 5 mm from the edge of the microprocessor. The diameter of the cap from the thermal grease syringe is 5 mm, so you can use it to judge the required position of the dots of thermal grease, as shown in Figure 296 on page 313.



svc00413

Figure 296. Estimating the position of the thermal grease dots

- b. For each dot of thermal grease, use two divisions on the syringe scale, which is 0.02 ml of grease. You will use about half the syringe contents for the nine dots. Figure 297 shows how the microprocessor appears with the nine dots of grease.



svc00414

Figure 297. Complete set of nine thermal grease dots on the microprocessor

- c. Install the heat sink by gently squeezing it down onto the thermal grease and then tightening the four retaining screws alternately and evenly.
7. If this is a Rev 1 node, repeat steps 5 on page 311 and 6 on page 312 for the second microprocessor and heat sink. If this is a Rev 2 node, continue with the next step.
 8. Replace either eight memory modules for the Rev 1 node or four memory modules for the Rev 2 node. See “Replacing the memory modules (DIMM)” on page 112.
 9. Replace the right air baffle, which is shown in Figure 298 on page 314.
 - a. Locate the pin on the bottom of the air baffle in the locating hole on the system board.
 - b. Push the baffle backwards to locate it in place.

- c. Pull the baffle slightly to the right to locate the two clips in the support rail.

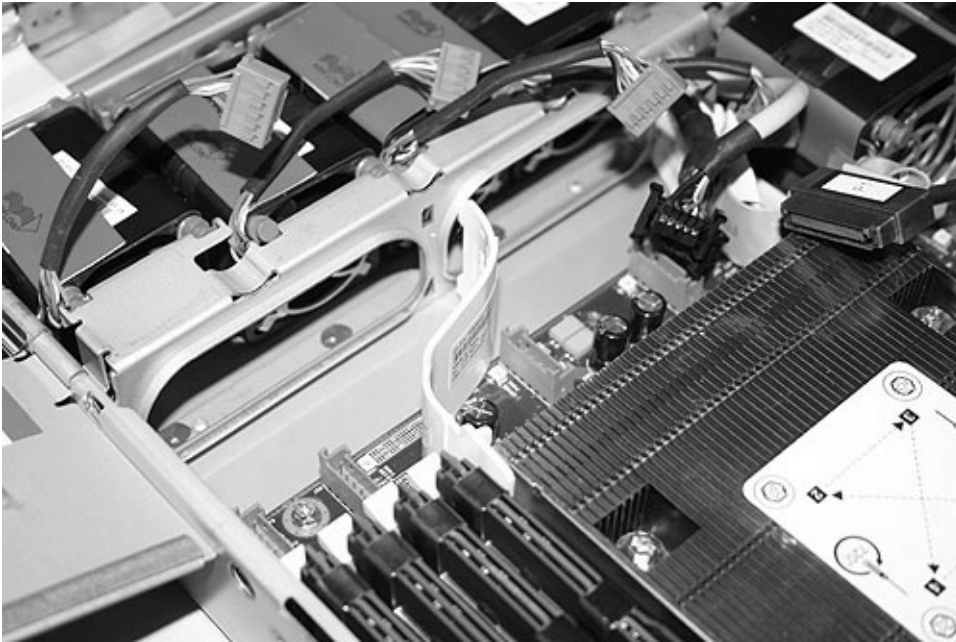


Figure 298. Right air baffle on the SAN Volume Controller 2145-8G4 system board

10. Reconnect the light path ribbon cable connector and the CD-RW ribbon cable connector, as shown in Figure 299 on page 315.
 - a. Replace the video cable connector and the USB cable connector.
 - b. Replace the cable connectors for fans 6, 5, 4 and 3.

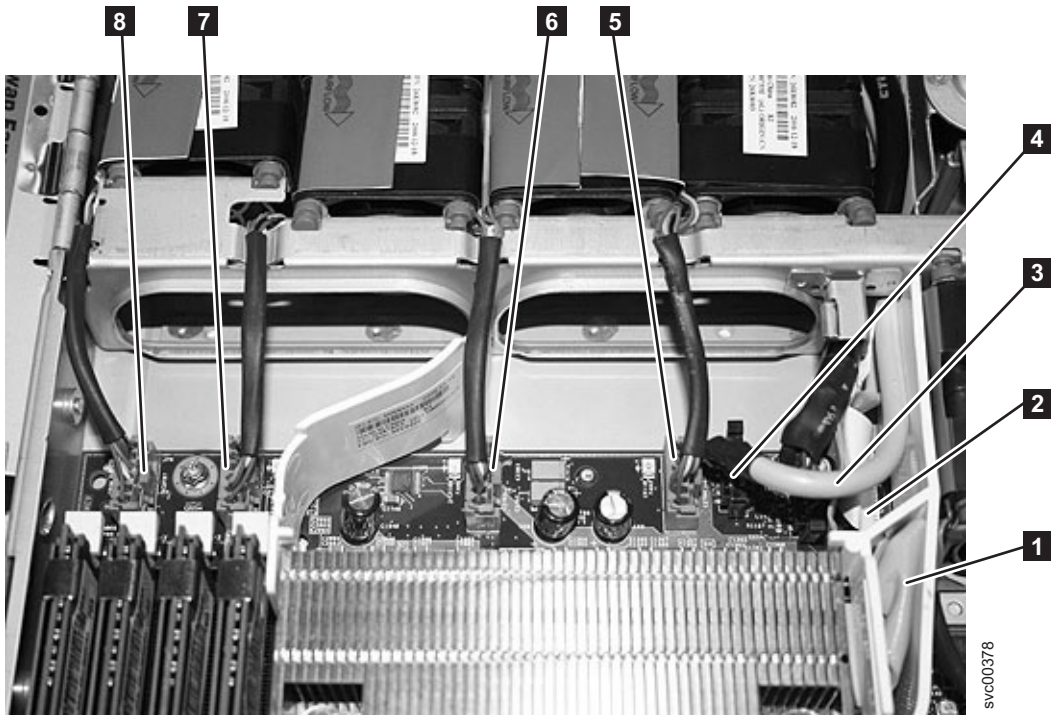
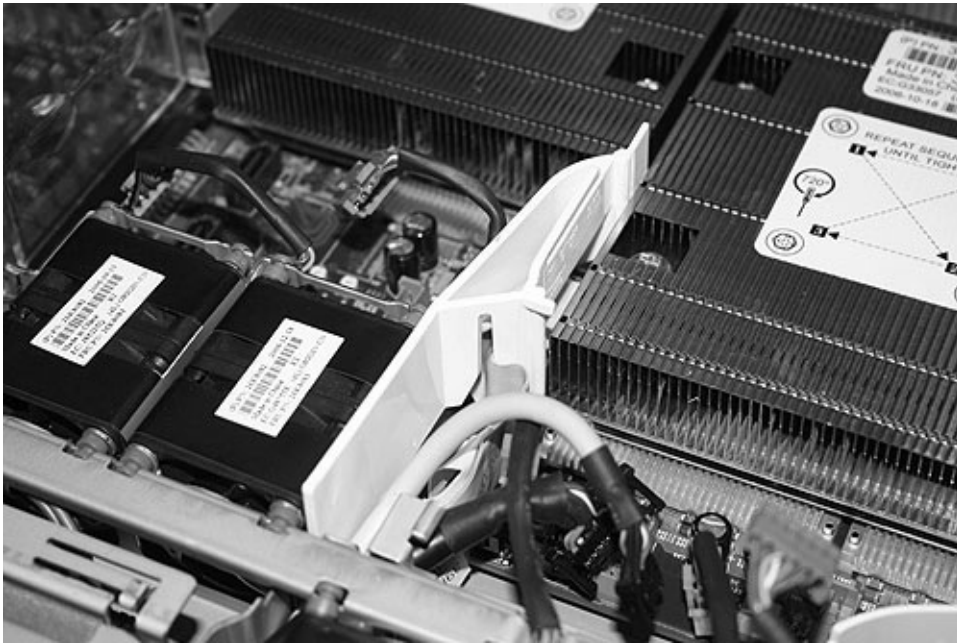


Figure 299. Connectors on the right front side of the SAN Volume Controller 2145-8G4 system board

- 1** CD-RW connector
- 2** Light path cable connector
- 3** Video cable connector
- 4** USB cable connector
- 5** Fan 3 connector
- 6** Fan 4 connector
- 7** Fan 5 connector
- 8** Fan 6 connector

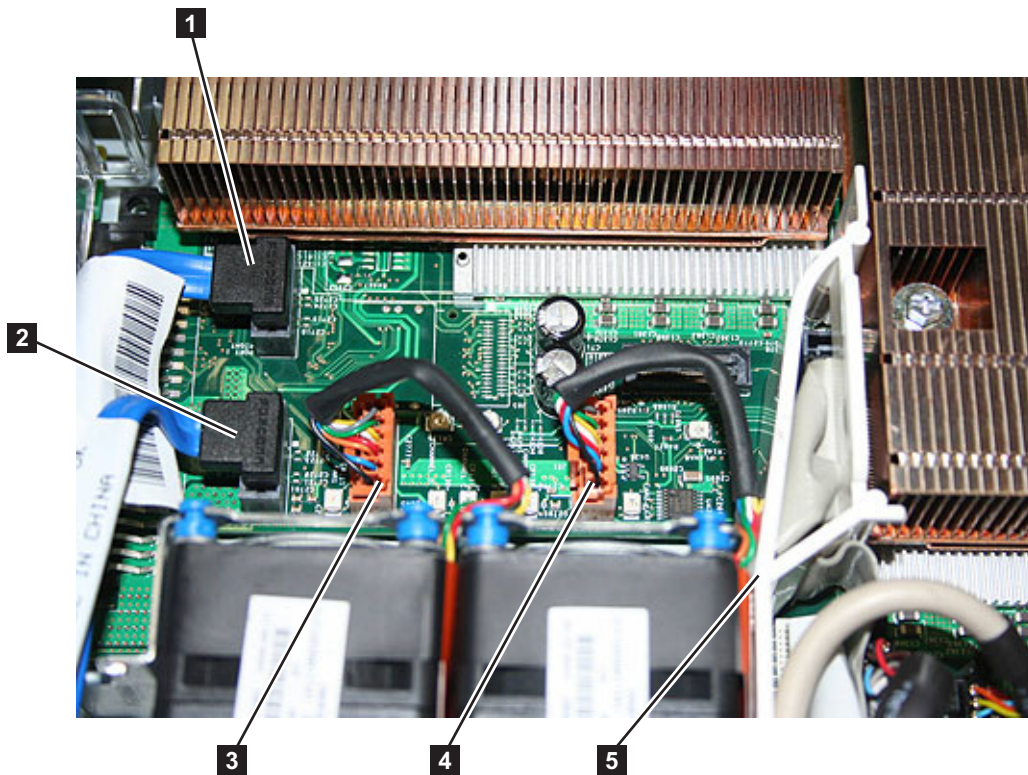
11. Replace the left air baffle, which is shown in Figure 300 on page 316. You must position the CD-RW cable within the baffle.



svc00379

Figure 300. Left air baffle on the SAN Volume Controller 2145-8G4

12. Replace fan 2.
13. Replace the cable connectors for fans 2 and 1, as shown in Figure 301.



svc00377

Figure 301. Connectors on the SAN Volume Controller 2145-8G4 system board

- 1 Right disk signal cable connector

2 Left disk signal cable connector

3 Fan 1 connector

4 Fan 2 connector

14. Replace the left disk drive cable in the front socket and the right disk drive cable in the rear socket.
15. Replace the riser card that you removed from adapter slot 2. Push it into its connector.
16. Replace the Fibre Channel adapter and riser card. See “Replacing the Fibre Channel adapter assembly” on page 193.
17. Replace the top cover. See “Replacing the top cover” on page 85.
18. Place the node in the rack. See “Replacing the SAN Volume Controller in a rack” on page 58.
19. Turn on the node. Wait for the front panel display to remain stable for at least five minutes before taking any further action.
 - If the repair has been successful and if the node was able to save its state data before shutting down, the node starts and rejoins the cluster. The front panel displays **Cluster:** and a cluster name if the node has rejoined a cluster.
 - If the repair has been successful but the node was not able to save its state data before shutting down, the node displays node error 578. Follow the procedures in “Deleting a node from a cluster” in the *IBM System Storage SAN Volume Controller Troubleshooting Guide* to delete the node from the cluster and then add it back into the cluster. If more than one node has failed, ensure that the node is added back into its original I/O group.
 - If any other message is shown on the front panel, use MAP 5000 to resolve the problem.

Note: It is essential that you perform all the stages of the next step to ensure that the replacement system is set to the serial number of the original machine. Failure to do this might invalidate the customer's warranty or service agreement.

20. After you make sure that the node is operating as part of the cluster, perform the following steps to restore the original machine serial number to the new system board:
 - a. Start the command-line interface (CLI).
 - b. Write down the 7-character serial number from the serial number label that is on the front of the node. Ignore any hyphens (-) in the serial number.
 - c. On the front-panel display, press and release the down button until the Node panel is displayed. Write down the node name that is shown on the bottom line.
 - d. Issue the following command, substituting the values for *nodeserialnumber* and *nodename* that you wrote in the previous steps:

```
writesernum -sernum nodeserialnumber nodename
```

where *nodeserialnumber* is the serial number on the front of the node and *nodename* is the name of the node.

For example, to write the machine serial number to the system board when the serial number is “13-FEDCB” and the node name is “ZYXW3,” you would issue the following command:

```
writesernum -sernum 13FEDCB ZYXW3
```

Note: The node will restart as soon as the serial number has been written to it.

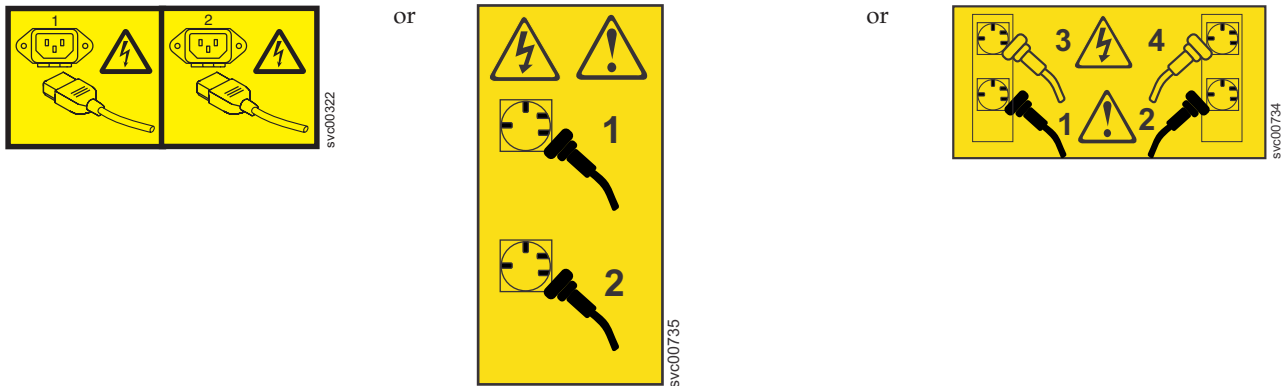
Removing the redundant ac-power switch

Use this topic when you need to remove a redundant ac-power switch.

Before you begin

DANGER

Multiple power cords. The product might be equipped with multiple power cords. To remove all hazardous voltages, disconnect all power cords. (L003)



Use the reference numbers in parentheses at the end of each notice, such as (C003) for example, to find the matching translated notice in *IBM System Storage SAN Volume Controller Safety Notices*.

About this task

To remove a redundant ac-power switch, complete the following steps:

Procedure

1. Turn off each SAN Volume Controller node that is connected by an uninterruptible power supply to the redundant ac-power switch. See MAP 5350 in the *IBM System Storage SAN Volume Controller Troubleshooting Guide*.
 - a. One or two nodes might be connected to the redundant ac-power switch. If two nodes are connected to the redundant ac-power switch, you must ensure that both nodes are not in the same I/O group before you turn off the nodes. If the nodes are both turned off and they are in the same I/O group, the customer will lose access to the data that is managed by that I/O group.
 - b. If both nodes that are powered by the redundant ac-power switch are in the same I/O group, turn off one node, disconnect it from the redundant ac-power switch, and connect it to a different power source. Then turn the node back on. When it has recovered and rejoined the I/O group, it can maintain the I/O access when the other node is turned off and when the redundant ac-power switch is removed. If you have had to perform this operation, pay particular attention to checking when it is safe to turn off the second node. See MAP 5350 in the *IBM System Storage SAN Volume Controller Troubleshooting Guide*.
2. Remove both the redundant ac-power switch input-power cables from the site power distribution unit and unthread them in the rack, so they will slide out when the redundant ac-power switch is removed. There might be enough access to disconnect them from the redundant ac-power switch while it is in the rack, but often it is more convenient to leave them attached and remove them with the redundant ac-power switch.
3. Remove the one or two redundant ac-power switches to 2145 UPS-1U power cables from the redundant ac-power switch. There is no need to disconnect them from the 2145 UPS-1U.
4. Remove the four screws that hold the redundant ac-power switch in the rack. Be careful to support the redundant ac-power switch during this procedure because the screws are the only support for the unit.

5. The redundant ac-power switch can be slid out of the rack along with the input-power cables if they are still attached.

Replacing the redundant ac-power switch

Use this topic when you need to replace a redundant ac-power switch.

Before you begin

The redundant ac-power switch FRU assembly includes the redundant ac-power switch and the input power cables. They should all be replaced together.

These instructions assume that a redundant ac-power switch has been removed and the one or two nodes that were connected to it are powered off.

About this task

To replace a redundant ac-power switch, complete the following steps:

Procedure

1. Attach each of the two mounting plates to the redundant ac-power switch using three M3 Torx T8 head screws. Position the mounting face, as shown in Figure 302, on the side of the redundant ac-power switch that contains the output power sockets.



Figure 302. Attaching the mounting plates

2. Using the labels provided, label each end of the two redundant ac-power switch input power cables. Unless the configuration is changing, the labels are the same as those on the cables removed with the old redundant ac-power switch. Label the rack power distribution end "Power source <name>, outlet <id>" to redundant ac-power switch <location> <MAIN | BACKUP> input. For example: "Power source D2, outlet 4 to redundant ac-power switch pos 7 MAIN input".
3. Label the redundant ac-power switch end "redundant ac-power switch <location> <MAIN | BACKUP> input from Power source <name>, outlet <id>".
4. Connect the input power cables to the redundant ac-power switch. You want to connect the cables now, because it is difficult to access the input power sockets on the redundant ac-power switch when it is installed in a rack.
5. Connect the main input power cable to the redundant ac-power switch.
6. Connect the backup input power cable to the redundant ac-power switch.
7. Secure both the redundant ac-power switch input cables, as shown in Figure 303 on page 320, using the clips of the redundant ac-power switch.



Figure 303. Power cable clips

8. Install the redundant ac-power switch in the rack. The four “C” clips for mounting the unit should already be positioned in the rack mounting bar.
9. Position the redundant ac-power switch in the rack, pushing the cables through to the front of the rack. Mount in place using the four M6 screws.
10. Connect the redundant ac-power switch power input cables to the site power.
 - a. Determine a suitable cable route from the redundant ac-power switch to the power distribution units.
 - b. Route the main input power cable of the redundant ac-power switch to the specified power distribution unit, and connect it.
 - c. Route the backup input power cable of the redundant ac-power switch to the specified power distribution unit, and connect it.
 - d. Verify that the redundant ac-power switch power cables are tidy. Ensure that they do not obstruct other equipment and are tied in place where necessary.
11. Test the redundant ac-power switch before connecting it to the 2145 UPS-1U, using MAP 5340 in the *IBM System Storage SAN Volume Controller Troubleshooting Guide*.
12. Connect the one or two 2145 UPS-1U units that are powered by this redundant ac-power switch. The power cables should still be plugged into the 2145 UPS-1U units.
 - a. Connect the other end into the output power sockets on the front of the redundant ac-power switch.
 - b. Check the labels on the cables to see which socket they should be connected to.
 - c. If the uninterruptible power supply units do not power on automatically, power them on by pressing the power button for five seconds.
13. Power on the one or two SAN Volume Controller nodes connected to this redundant ac-power switch.

Removing and replacing 2145 UPS-1U parts

The remove and replace procedures for the 2145 UPS-1U field replaceable units are described in the topics which follow.

Removing and replacing the 2145 UPS-1U power cable-retention bracket

The 2145 UPS-1U power cable-retention bracket prevents accidental removal of the power cable that connects the 2145 UPS-1U to the SAN Volume Controller node.

Before you begin

Note: The 2145 UPS-1U power cable-retention bracket (shown in Figure 304) can be attached only to the most recent versions of the 2145 UPS-1U. Older versions do not have the correct mounting holes.

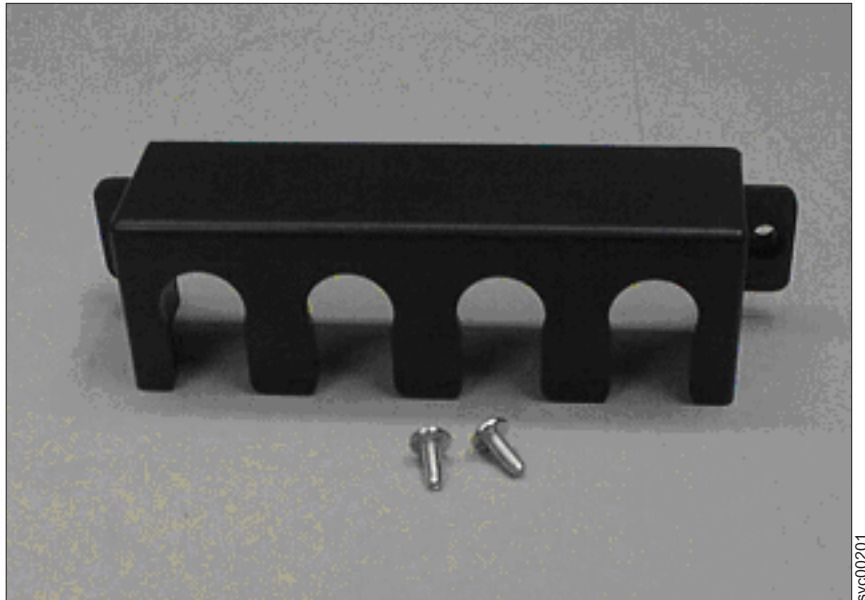


Figure 304. 2145 UPS-1U power cable-retention bracket hardware

Removing the 2145 UPS-1U power cable-retention bracket

About this task

Perform the following steps to remove the 2145 UPS-1U power cable-retention bracket:

Procedure

1. Remove the retaining screw from each side of the bracket.



Figure 305. 2145 UPS-1U power cable-retention bracket

2. Lift the bracket off the cable.

Replacing the 2145 UPS-1U power cable-retention bracket: About this task

Perform the following steps to replace the 2145 UPS-1U power cable-retention bracket:

Procedure

1. Ensure that the output power cable is securely in place.
2. Place the bracket over the power supply inlets on the right rear of the 2145 UPS-1U, so that the two screw holes line up.
3. Ensure that the power cable runs through the rightmost slot in the bracket.
4. Secure the bracket in place with one screw on each side, as shown in Figure 306.



Figure 306. 2145 UPS-1U power cable-retention bracket

Removing the 2145 UPS-1U

Before you remove the 2145 UPS-1U, read all safety notices.

Before you begin

Use the reference numbers in parentheses at the end of each notice, such as (C003) for example, to find the matching translated notice in *IBM System Storage SAN Volume Controller Safety Notices*.

DANGER

Uninterruptible power supply units contain specific hazardous materials. Observe the following precautions if your product contains an uninterruptible power supply:

- The uninterruptible power supply contains lethal voltages. All repairs and service must be performed only by an authorized service support representative. There are no user serviceable parts inside the uninterruptible power supply.
- The uninterruptible power supply contains its own energy source (batteries). The output receptacles might carry live voltage even when the uninterruptible power supply is not connected to an ac supply.
- Do not remove or unplug the input cord when the uninterruptible power supply is turned on. This removes the safety ground from the uninterruptible power supply and the equipment connected to the uninterruptible power supply.
- The uninterruptible power supply is heavy because of the electronics and batteries that are required. To avoid injury, observe the following precautions:
 - Do not attempt to lift the uninterruptible power supply by yourself. Ask another service representative for assistance.
 - Remove the battery, electronics assembly, or both from the uninterruptible power supply before removing the uninterruptible power supply from the shipping carton or installing or removing the uninterruptible power supply in the rack.

(D007)

CAUTION:

This part or unit is heavy but has a weight smaller than 18 kg (39.7 lb). Use care when lifting, removing, or installing this part or unit. (C008)

About this task

Perform the following steps to remove the 2145 UPS-1U:

Attention: Check to make sure that the SAN Volume Controller that is powered by this 2145 UPS-1U is shut down and turned off, prior to step 1. See MAP 5350 in the *IBM System Storage SAN Volume Controller Troubleshooting Guide*.

Procedure

1. At the front of the 2145 UPS-1U, press and hold the on/off button (**1** in Figure 307) until the power light is extinguished (approximately five seconds). On some versions of the 2145 UPS-1U, you need a pointed device, such as a screwdriver, to press the on/off button. The 2145 UPS-1U enters standby mode.

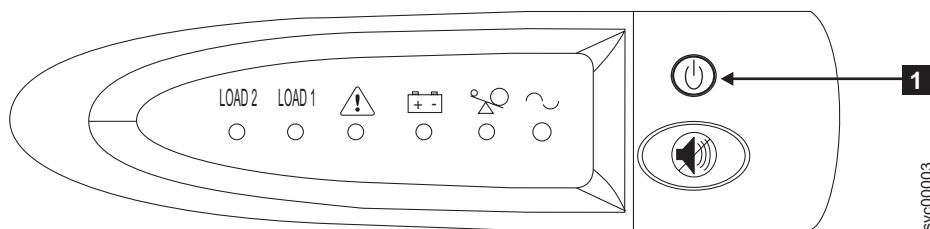


Figure 307. The 2145 UPS-1U front-panel assembly

2. At the back of the 2145 UPS-1U, remove the power cable retainer before disconnecting the SAN Volume Controller power cable from load segment receptacle 2 (**3** in Figure 308 on page 324).
3. Disconnect the signal cable from the communication port (**2** in Figure 308 on page 324).

4. Disconnect the main power cable from the main power source (**1** in Figure 308).

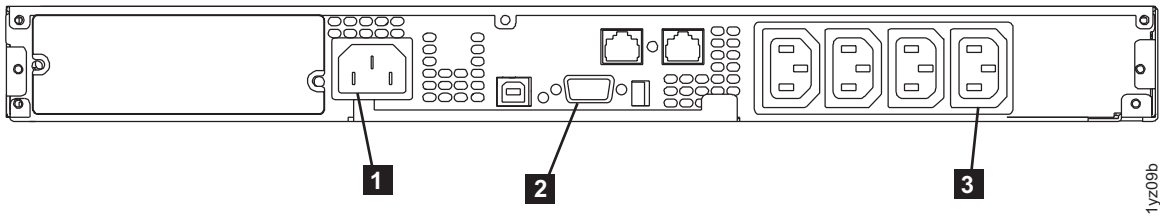


Figure 308. 2145 UPS-1U (rear view)

Some SAN Volume Controller node types have two power supply units. Both power supplies must be connected to the same 2145 UPS-1U. The SAN Volume Controller 2145-CF8 is an example of a node that has two power supplies. The SAN Volume Controller 2145-8A4 is an example of a node that has a single power supply.

5. Remove the 2145 UPS-1U front panel, as shown in Figure 309.

Note: If you are having difficulty pulling the right side of the panel free from the 2145 UPS-1U, insert a flat-blade screwdriver between the right side of the cover and the frame and gently pry it free.

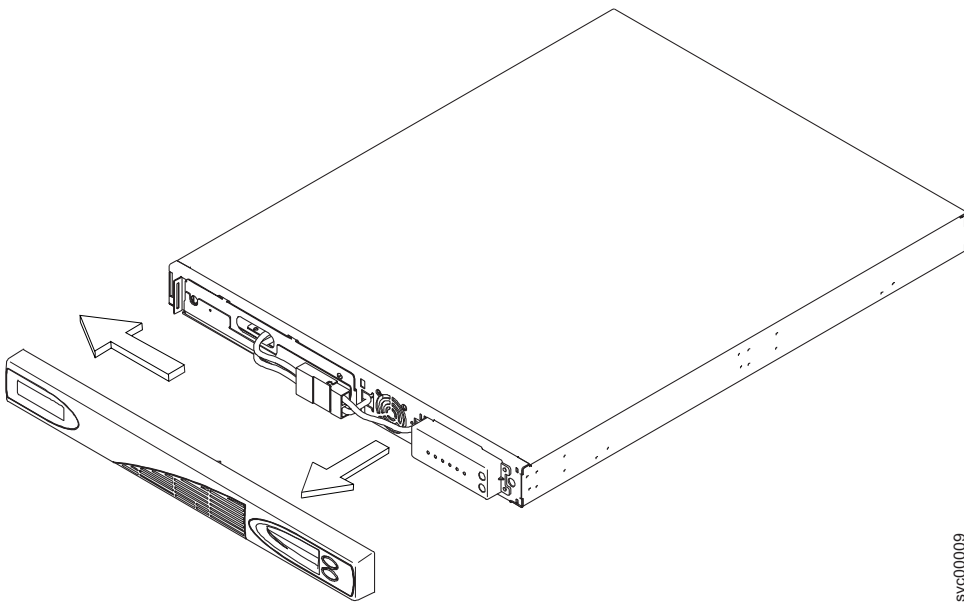


Figure 309. Removing the 2145 UPS-1U front panel

6. Disconnect the internal battery connector, which is circled in Figure 310 on page 325.

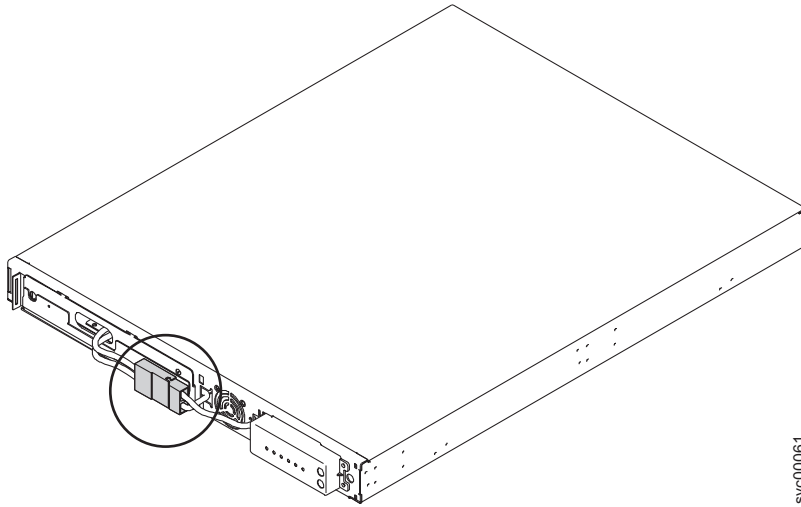


Figure 310. The 2145 UPS-1U internal-battery connector

7. After pulling the two connectors apart, cover the exposed battery connector (shown in Figure 311) with adhesive tape.

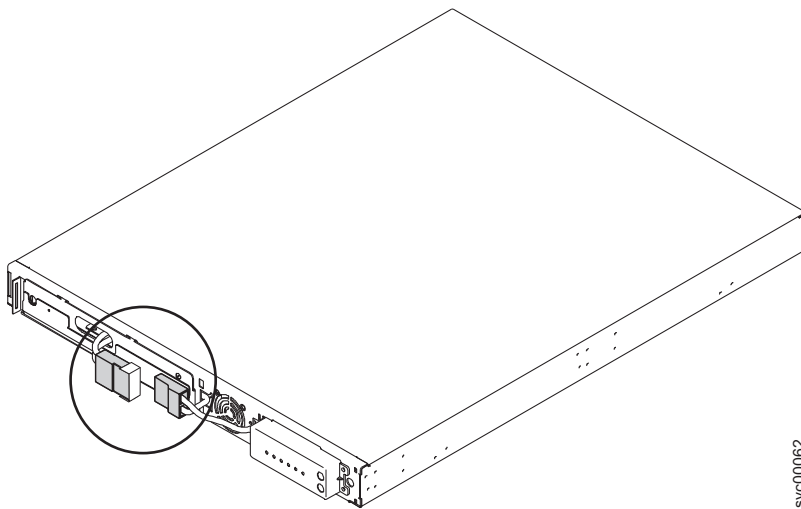


Figure 311. The 2145 UPS-1U internal battery connector with protective tape

8. Reinstall the front panel.
9. At the front of the 2145 UPS-1U, unscrew the two mounting screws **1**, as shown in Figure 312 on page 326.

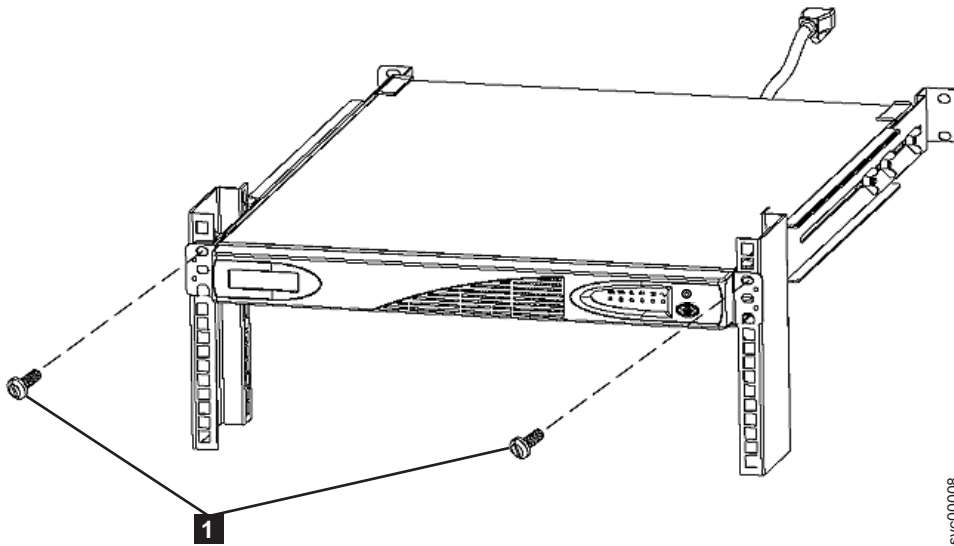


Figure 312. Mounting screws for the 2145 UPS-1U

10. From the back of the rack, push the 2145 UPS-1U forward approximately 5 cm (2 in) to enable you to pull it from the rack.
11. Go to the front of the rack.
12. Pull the 2145 UPS-1U forward and remove it from the rack.

Replacing the 2145 UPS-1U

You can replace the 2145 UPS-1U only after you remove the previous uninterruptible power supply.

Before you begin

Use the reference numbers in parentheses at the end of each notice, such as (C003) for example, to find the matching translated notice in *IBM System Storage SAN Volume Controller Safety Notices*.

DANGER

Uninterruptible power supply units contain specific hazardous materials. Observe the following precautions if your product contains an uninterruptible power supply:

- The uninterruptible power supply contains lethal voltages. All repairs and service must be performed only by an authorized service support representative. There are no user serviceable parts inside the uninterruptible power supply.
- The uninterruptible power supply contains its own energy source (batteries). The output receptacles might carry live voltage even when the uninterruptible power supply is not connected to an ac supply.
- Do not remove or unplug the input cord when the uninterruptible power supply is turned on. This removes the safety ground from the uninterruptible power supply and the equipment connected to the uninterruptible power supply.
- The uninterruptible power supply is heavy because of the electronics and batteries that are required. To avoid injury, observe the following precautions:
 - Do not attempt to lift the uninterruptible power supply by yourself. Ask another service representative for assistance.
 - Remove the battery, electronics assembly, or both from the uninterruptible power supply before removing the uninterruptible power supply from the shipping carton or installing or removing the uninterruptible power supply in the rack.

(D007)

CAUTION:

This part or unit is heavy but has a weight smaller than 18 kg (39.7 lb). Use care when lifting, removing, or installing this part or unit. (C008)

About this task

Perform the following steps to replace the 2145 UPS-1U:

Procedure

1. Place the 2145 UPS-1U on a flat, stable surface with the front of the 2145 UPS-1U facing toward you.
2. On each side of the 2145 UPS-1U, attach the long end of a mounting bracket to the 2145 UPS-1U using four of the supplied M3 × 6 screws (**2** in Figure 313).

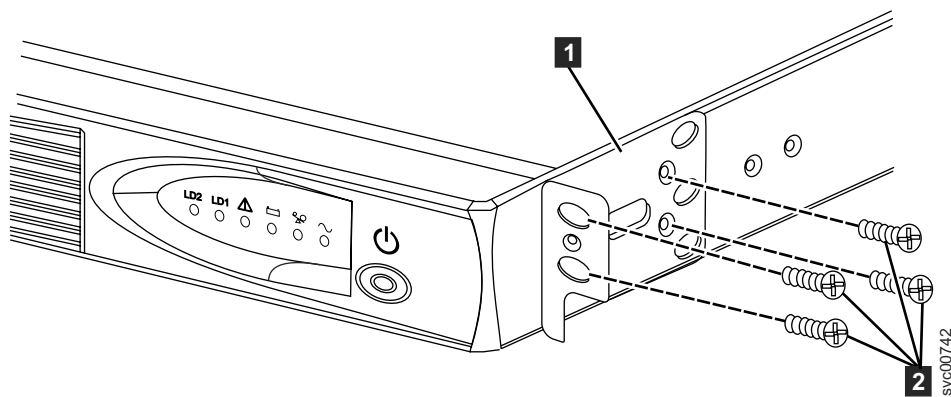


Figure 313. Installing the UPS mounting brackets for the 2145 UPS-1U

3. Stand at the front of the rack and place the back of the 2145 UPS-1U onto the support rails, and then slide the 2145 UPS-1U into the rack.

4. At the front of the 2145 UPS-1U, install the two mounting screws (**1** in Figure 314).

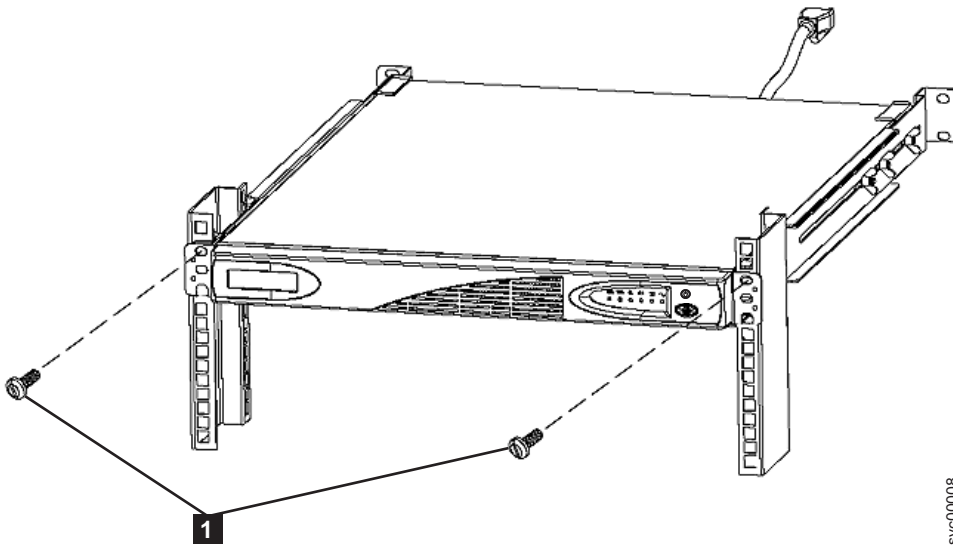


Figure 314. Mounting screws for the 2145 UPS-1U

5. Remove the 2145 UPS-1U front panel by pulling it towards you and to the left, as shown in Figure 315.

Note: If you are having difficulty pulling the right side of the panel free from the 2145 UPS-1U, insert a flat-blade screwdriver between the right side of the cover and the frame and gently pry it free.

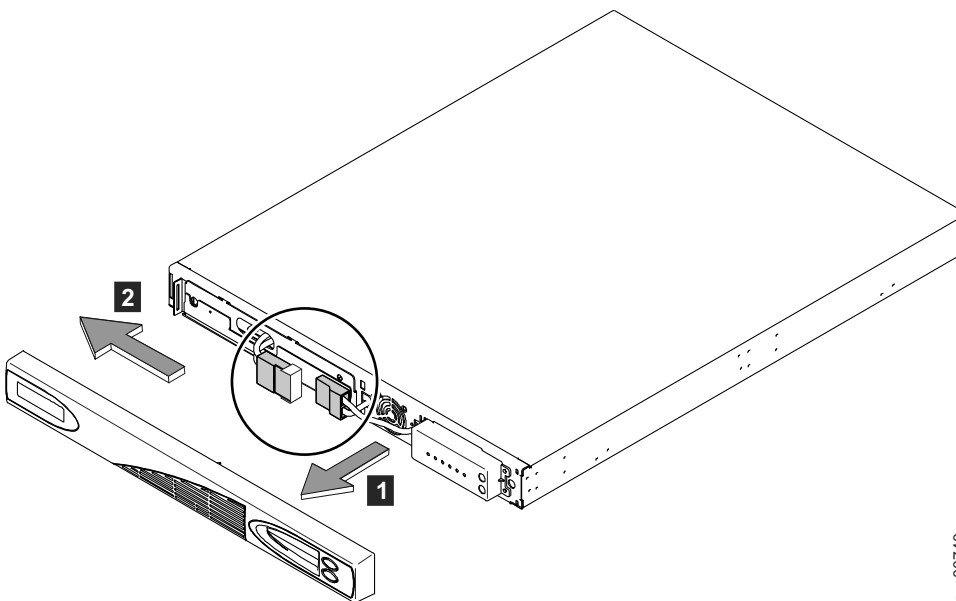


Figure 315. Removing the 2145 UPS-1U front panel

6. Remove the protective tape from the internal battery connector (circled in Figure 316 on page 329).

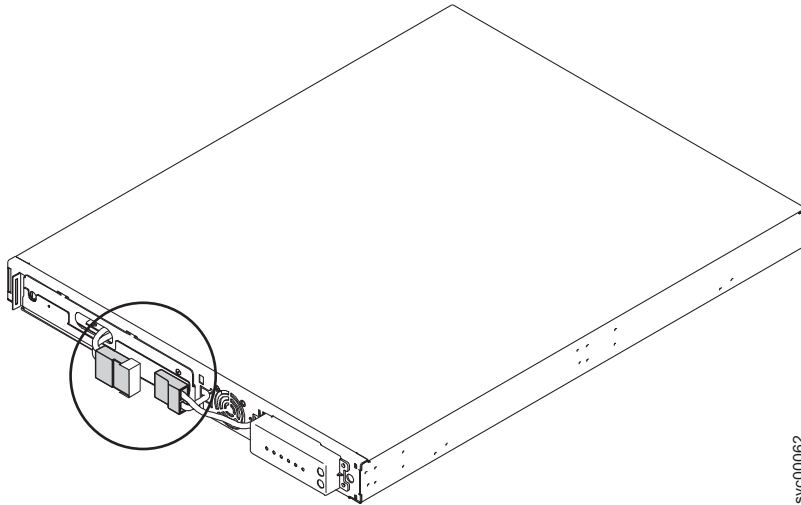


Figure 316. The 2145 UPS-1U internal battery connector with protective tape

7. Connect the internal battery connector (circled in Figure 317).

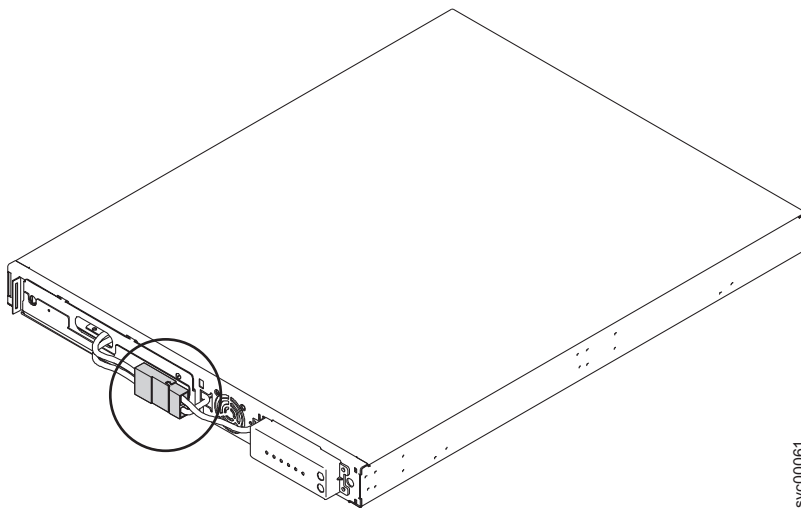


Figure 317. The 2145 UPS-1U with internal battery connectors in place

- Note:** A small amount of arcing may occur when connecting the batteries. This is normal and does not damage the unit or present any safety concerns.
8. Reinstall the front panel.
 9. At the back of the 2145 UPS-1U, connect the SAN Volume Controller power cable to load segment 2 receptacle (**3** in Figure 319 on page 330). If applicable, install the power cable-retention bracket (shown in Figure 318 on page 330).

Note: The 2145 UPS-1U is intended to maintain power on a single SAN Volume Controller node until data can be saved to the local hard disk drive. Only SAN Volume Controller nodes can be plugged in to the 2145 UPS-1U or else the SAN Volume Controller cluster malfunctions. You must attach only one SAN Volume Controller to the 2145 UPS-1U, and nothing else.



Figure 318. The 2145 UPS-1U cable retention bracket connected to the 2145 UPS-1U

10. Reconnect the SAN Volume Controller signal cable to the communication port (**2** in Figure 319).
11. Reconnect the 2145 UPS-1U main power cable, from either the power distribution unit or from the redundant ac-power switch, into the input connector (**1** in Figure 319).

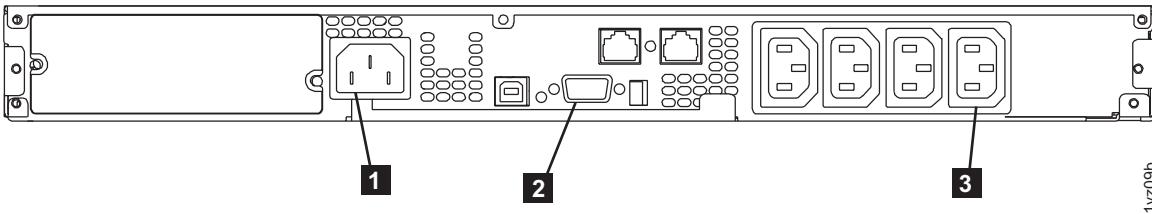


Figure 319. 2145 UPS-1U (rear view)

The 2145 UPS-1U is now in standby mode with the SAN Volume Controller offline. All indicators that are shown in Figure 319 are off.

12. To turn on the 2145 UPS-1U, press and hold the on/off button (**2** in Figure 320). On some versions of the 2145 UPS-1U, you need a pointed device, such as a screwdriver, to press the on/off button. The 2145 UPS-1U undergoes a self-test, taking approximately five seconds, before the power-on indicator **1** and the load indicators (**7** and **8**) light up permanently to indicate that the 2145 UPS-1U is supplying power to the SAN Volume Controller. The 2145 UPS-1U begins to charge its battery while in normal mode.

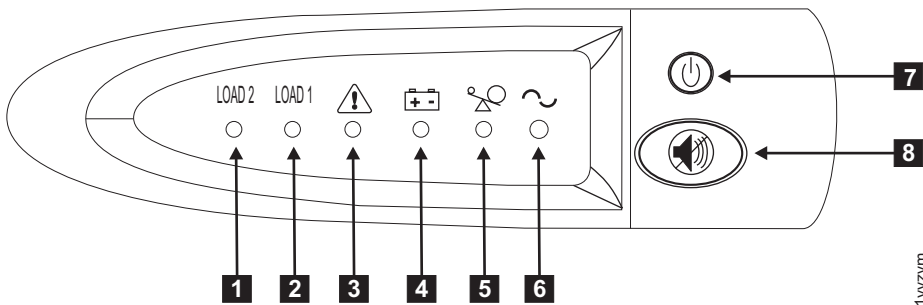


Figure 320. 2145 UPS-1U front-panel assembly

Note: If the 2145 UPS-1U battery is not sufficiently charged, the SAN Volume Controller node will not be able to join the cluster. The node will display Charging on its front panel until the 2145 UPS-1U battery has reached sufficient charge, which could take an hour. When the SAN Volume Controller node rejoins the cluster, it might display Recovering on its front panel while the 2145 UPS-1U battery finalizes its charge.

Removing the support rails for a 2145 UPS-1U

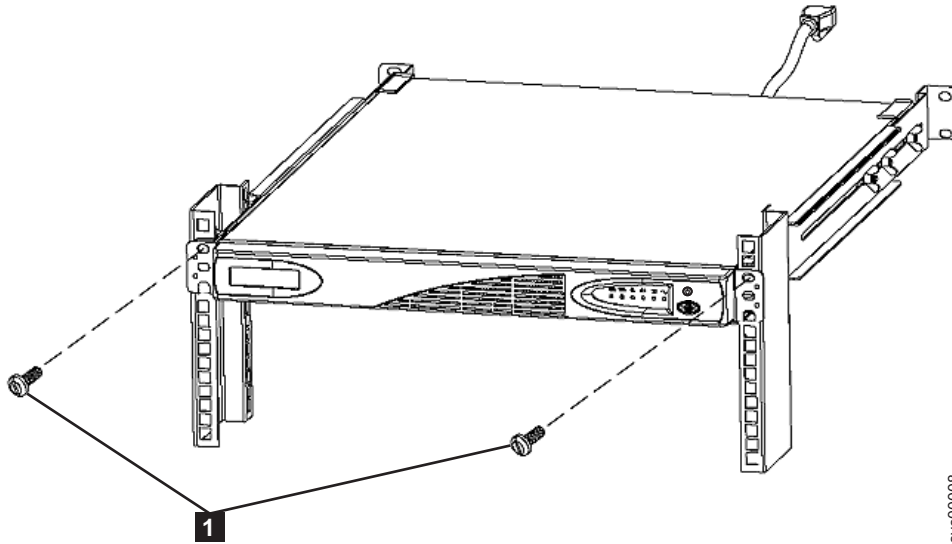
You can remove the support rails for the 2145 UPS-1U.

Before you begin

Perform the following steps to remove the support rails:

Procedure

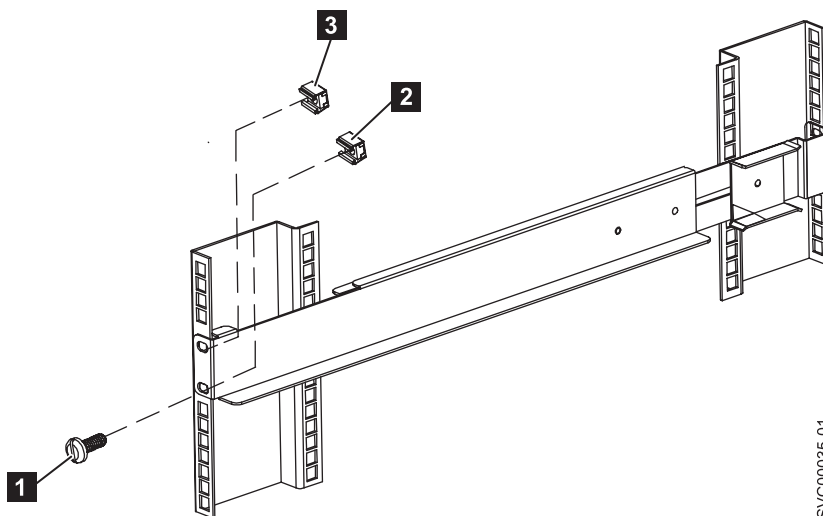
1. Loosen and remove the two M6 × 10 screws from each side of the 2145 UPS-1U. See **1** in Figure 321.



svc00008

Figure 321. Removing the front screws from the 2145 UPS-1U

2. Remove the 2145 UPS-1U from the rack.
3. Remove the clip nut from the top hole of the rail (**3** in Figure 322).



SVC00035-01

Figure 322. Removing the front rail on the 2145 UPS-1U

4. Detach the M6 × 10 screw **1** from the clip nut **2** in the bottom hole of the rail.

5. Remove the two M6 × 10 screws from the rear side of the rail (**1** in Figure 323) and the two clip nuts (**2**).

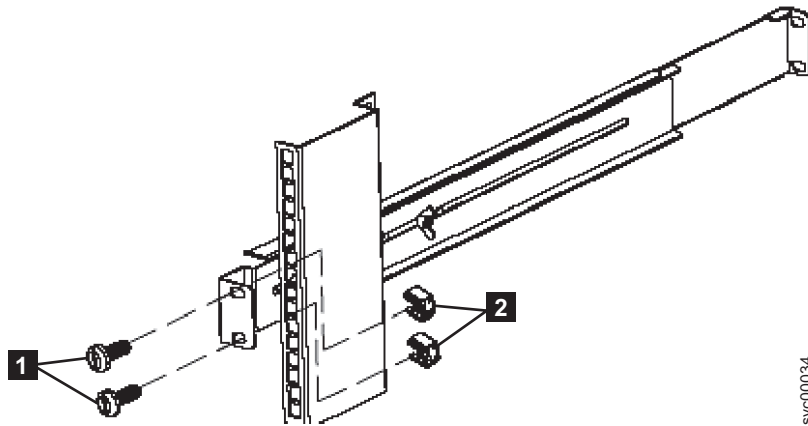


Figure 323. Removing the rear rail on the 2145 UPS-1U

6. Remove the rail from the rack.
7. Repeat steps 3 on page 331 through 6 to remove the other rail from the rack.

Installing the support rails for the 2145 UPS-1U

You must install the support rails in the rack before installing the 2145 UPS-1U.

Before you begin

Complete these prerequisites before installing the support rails:

1. Use the customer's hardware-location chart to determine where in the rack to install the 2145 UPS-1U.
2. At the back of the rack, observe the Electronic Industries Alliance (EIA) positions and determine where you are going to install the 2145 UPS-1U. Because of its weight, position the 2145 UPS-1U where it is easy to handle in one of the lower positions in the rack.

About this task

Perform the following steps to install the support rails for the 2145 UPS-1U:

Procedure

1. Open the top of the 2145 UPS-1U shipping carton. Grip the flaps on either side of the 2145 UPS-1U.
2. Lift the 2145 UPS-1U clear of the shipping carton and place it on a flat, stable surface with the front facing you.
3. Attach the long side of a mounting bracket **1** to each side of the 2145 UPS-1U using four M3 × 6 screws **2** for each bracket, as shown in Figure 324 on page 333.

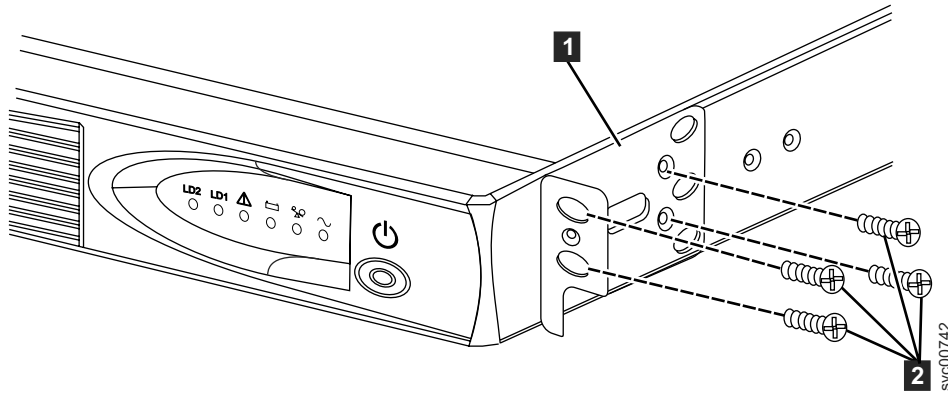


Figure 324. Installing the 2145 UPS-1U mounting brackets for the 2145 UPS-1U

4. Loosen the wing nuts (**1** and **2**) on both rail assemblies and adjust the rail size to the depth of your rack. After you adjust the depth, tighten the wing nuts as much as possible while still allowing some movement.

Refer to Figure 325 for information about how to tighten or loosen wing nuts and achieve a desired rail depth.

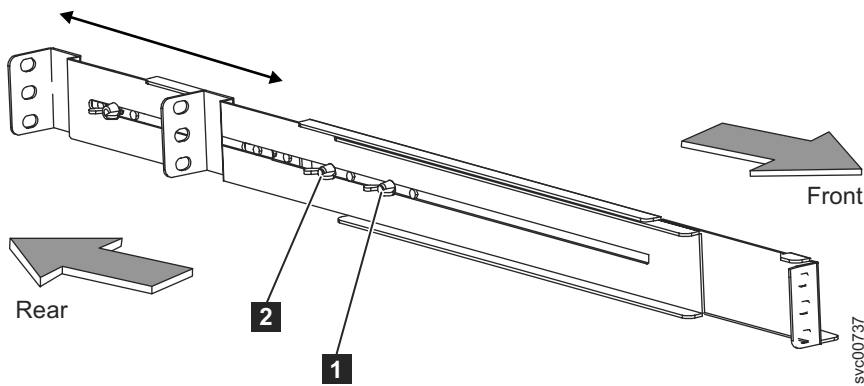


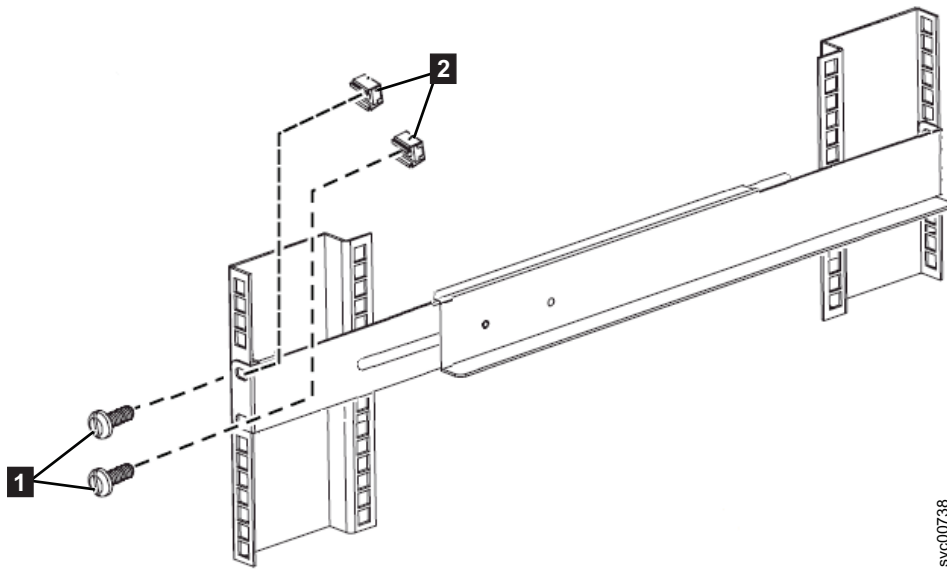
Figure 325. Adjusting the rail depth on the 2145 UPS-1U

Wing nut **1**

Wing nut **2**

5. Select the holes in the rail where you want to position the uninterruptible power supply. The figure shows the rear rail where the 2145 UPS-1U attaches to the rack. See Figure 326 on page 334.

Note: The bottom flange of the support rail must align with the EIA mark on the rack.



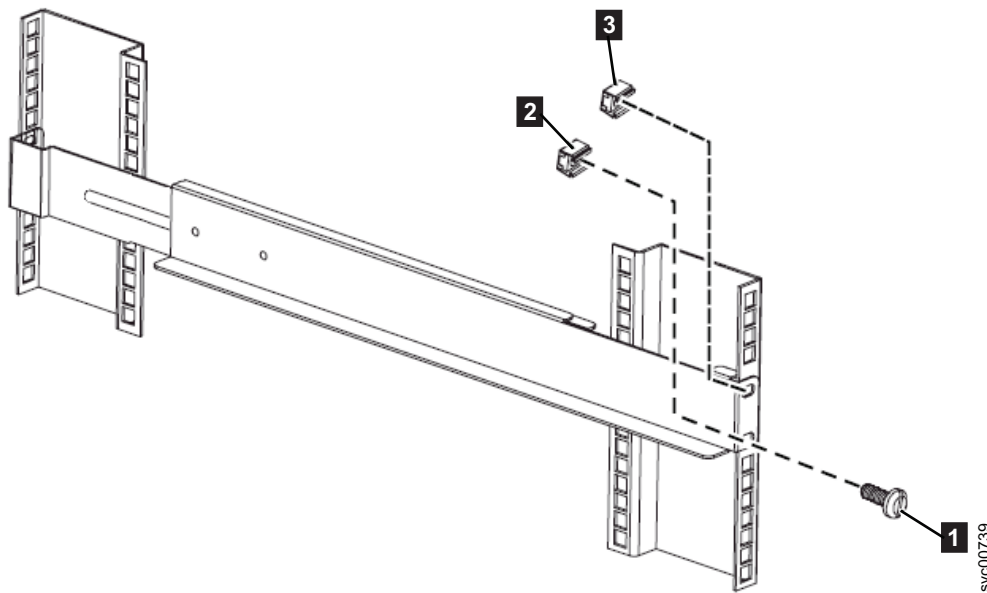
svc00738

Figure 326. Attaching the rear of the 2145 UPS-1U rail to the rack

6. Install 2 clip nuts **2** and 2 M6 x 10 screws **1**, to attach the rail to the rear of the rack.
7. Install 2 clip nuts **2** and **3** to the front of the rack. Then attach the rail using just 1 M6 x 10 screw **1** in the bottom mounting hole as shown in Figure 327.

Note:

- a. The extra clip nut **3** is reserved for later installation of the 2145 UPS-1U when the mounting brackets must be attached to the vertical rail on the rack.
- b. The rack might be different from the one shown here, and if so, might require different clip nuts or fasteners.



svc00739

Figure 327. Attaching the front of the 2145 UPS-1U rail to the rack.

8. Repeat steps 6 and 7 for the other rail.
9. Tighten the wing nuts on both rail assemblies.

Removing the power cable from the 2145 UPS-1U

You can remove the power cable from the 2145 UPS-1U if you are having problems with the power supply and suspect that the power cable is defective.

About this task

Perform the following steps to remove the power cable:

Procedure

1. Remove the power from each SAN Volume Controller node. See MAP 5350 in the *IBM System Storage SAN Volume Controller Troubleshooting Guide* for information about removing the power cable from the SAN Volume Controller.
2. Press and hold the on/off button **2** until the power light **1** is extinguished (approximately five seconds). On some versions of the 2145 UPS-1U, you need a pointed device, such as a screwdriver, to press the on/off button. The 2145 UPS-1U enters standby mode, with all indicators off. Figure 328 illustrates the front and rear views of the 2145 UPS-1U.

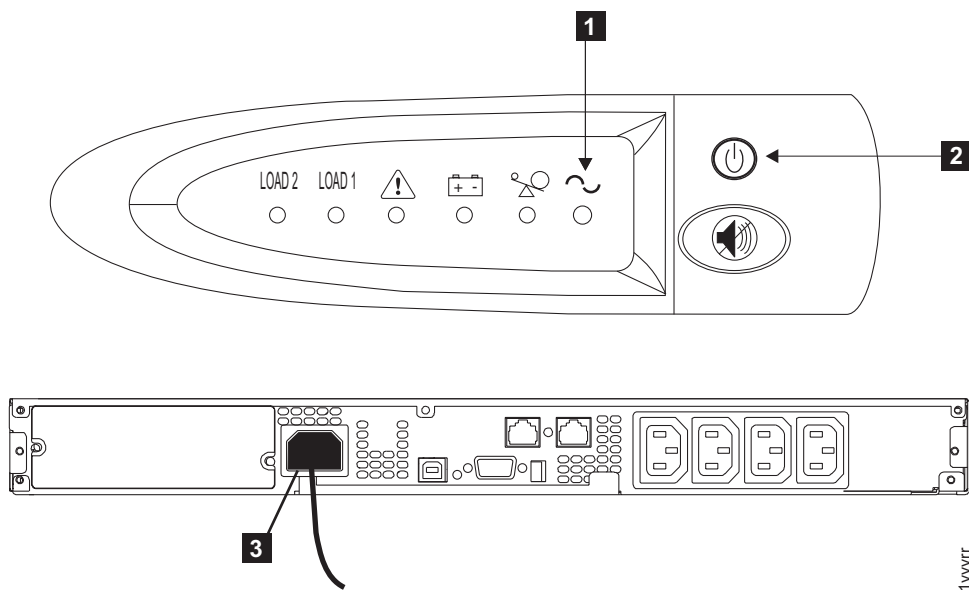


Figure 328. Front and back panels for the 2145 UPS-1U

- 1** Power-on indicator
- 2** On/off button
- 3** Power cable

3. Disconnect the power cable from the main power source **3**.
4. Replace the power cable and make sure it is seated. The 2145 UPS-1U enters standby mode. All indicators are off and power is not available to the SAN Volume Controller. The battery recharges when necessary.
5. To turn the 2145 UPS-1U on, press and hold the on/off button **2** until the 2145 UPS-1U power button **1** is illuminated (approximately five seconds). On some versions of the 2145 UPS-1U, you need a pointed device, such as a screwdriver, to press the on/off button. The front panel indicators then cycle through a startup sequence while the 2145 UPS-1U conducts a self-test. When the self-test completes, the power-on indicator and the load indicators illuminate to show that the 2145 UPS-1U is supplying power. The 2145 UPS-1U resumes service in normal mode.

Removing the 2145 UPS-1U battery

Follow all safety notices when you are removing the 2145 UPS-1U battery.

Before you begin

CAUTION:

Lead-acid batteries can present a risk of electrical burn from high, short-circuit current. Avoid battery contact with metal materials; remove watches, rings, or other metal objects, and use tools with insulated handles. To avoid possible explosion, do not burn.

Exchange only with the IBM-approved part. Recycle or discard the battery as instructed by local regulations. In the United States, IBM has a process for the collection of this battery. For information, call 1-800-426-4333. Have the IBM part number for the battery unit available when you call. (C004)

Use the reference numbers in parentheses at the end of each notice, such as (C003) for example, to find the matching translated notice in *IBM System Storage SAN Volume Controller Safety Notices*.

About this task

Perform the following steps to remove the 2145 UPS-1U battery:

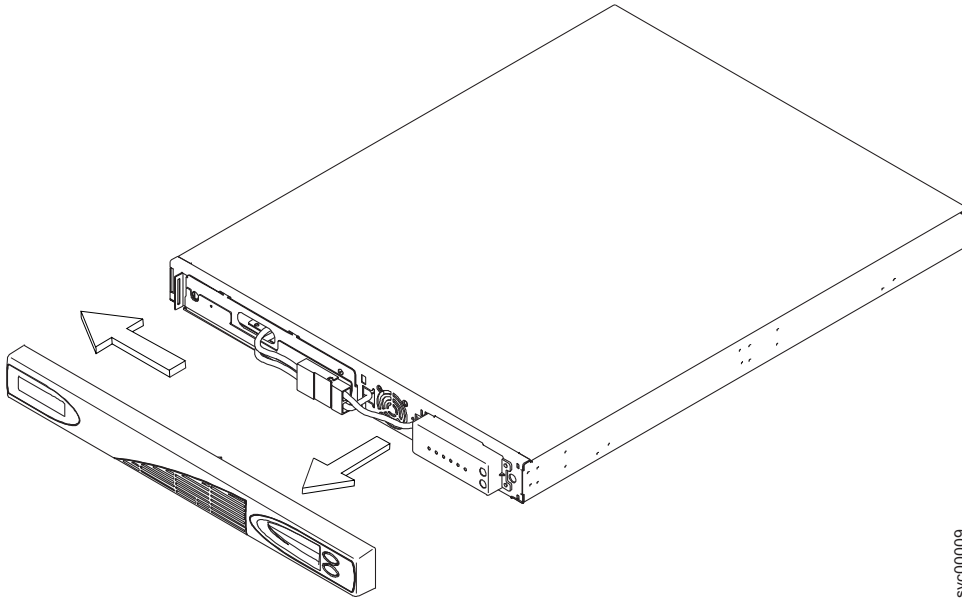
Procedure

1. Ensure the SAN Volume Controller that is connected to the 2145 UPS-1U is turned off. Use the instructions in MAP 5350 in the *IBM System Storage SAN Volume Controller Troubleshooting Guide* to turn off the node if it is not already off.

Note: There is no need to turn off the 2145 UPS-1U or remove it from the rack.

2. Pull the front panel from the right side until the panel is released from the right and middle sections of the 2145 UPS-1U. Push the front panel to the left to release the catch on the left end of the panel, as shown in Figure 329 on page 337.

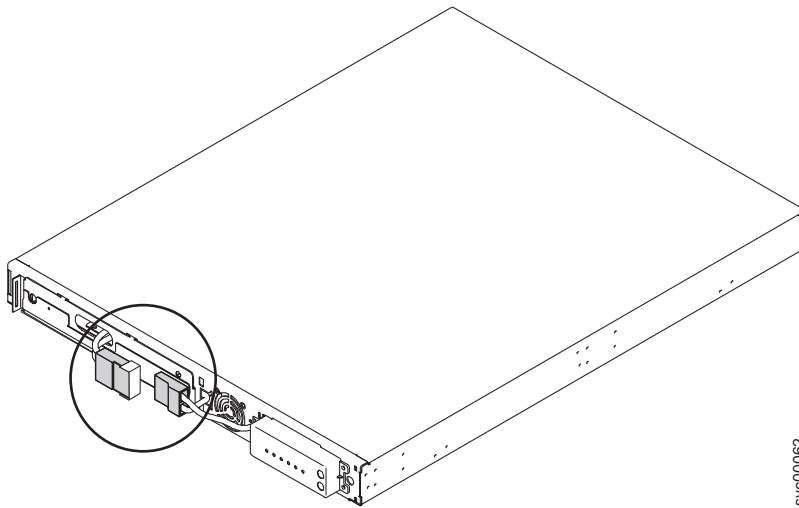
Note: If you are having difficulty pulling the right side of the panel free from the 2145 UPS-1U, insert a flat-blade screwdriver between the right side of the cover and the frame and gently pry it free.



svc00009

Figure 329. Removing the 2145 UPS-1U front panel

3. Disconnect the internal battery connector, circled in Figure 330.



svc00062

Figure 330. The 2145 UPS-1U internal battery connector with protective tape

4. Slide the battery cover to the right and remove it.
5. Slide the battery out of the 2145 UPS-1U, as shown in Figure 331 on page 338, and remove it, laying it on a flat surface.

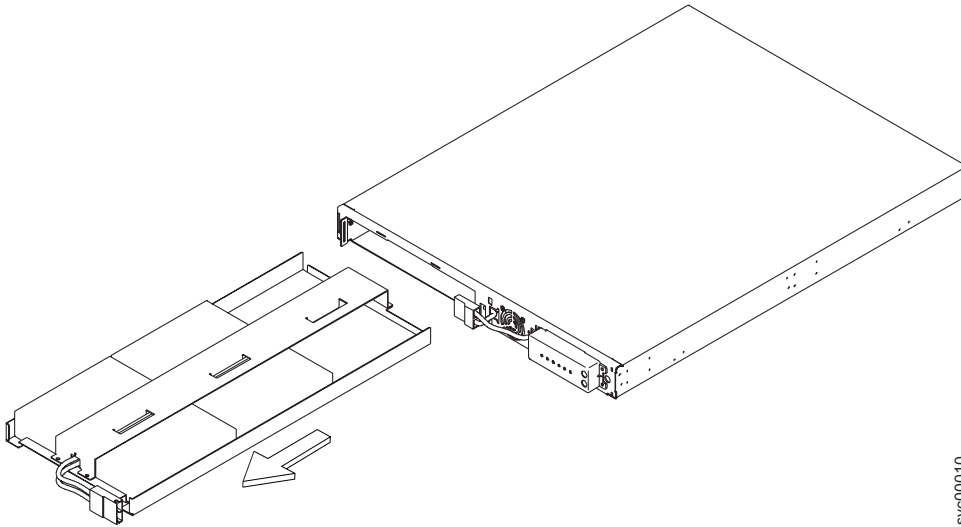


Figure 331. Removing the 2145 UPS-1U battery

Replacing the 2145 UPS-1U battery

Follow all safety notices when you are replacing the 2145 UPS-1U battery.

Before you begin

CAUTION:

Lead-acid batteries can present a risk of electrical burn from high, short-circuit current. Avoid battery contact with metal materials; remove watches, rings, or other metal objects, and use tools with insulated handles. To avoid possible explosion, do not burn.

Exchange only with the IBM-approved part. Recycle or discard the battery as instructed by local regulations. In the United States, IBM has a process for the collection of this battery. For information, call 1-800-426-4333. Have the IBM part number for the battery unit available when you call. (C004)

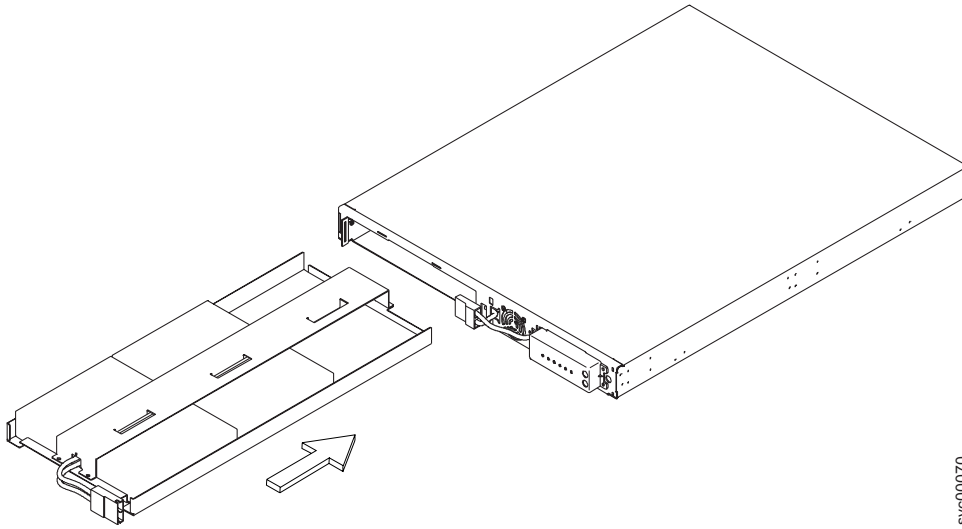
Use the reference numbers in parentheses at the end of each notice, such as (C003) for example, to find the matching translated notice in *IBM System Storage SAN Volume Controller Safety Notices*.

About this task

This task assumes that you have disconnected the 2145 UPS-1U battery and have turned off the SAN Volume Controller. Perform the following steps to replace the 2145 UPS-1U battery:

Procedure

1. Slide the battery into the 2145 UPS-1U, as shown in Figure 332 on page 339.

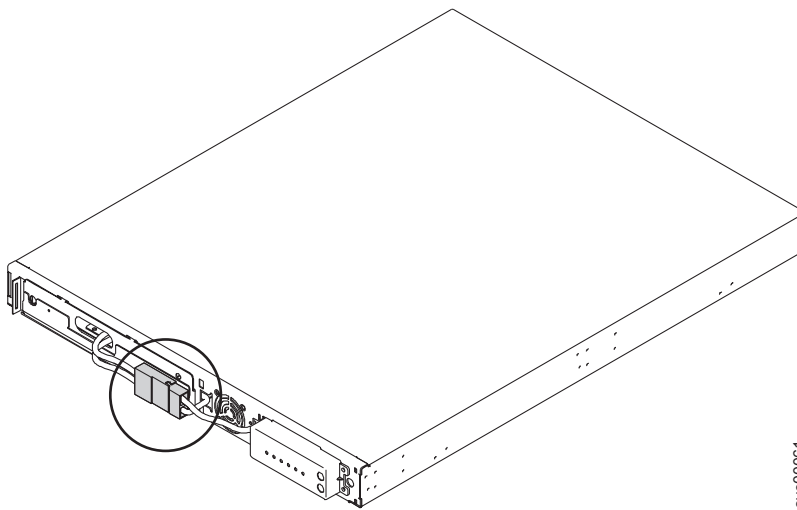


svc00070

Figure 332. Replacing the 2145 UPS-1U battery

2. Thread the battery connector through the battery cover. Position the battery cover in place and slide it to the left to secure it.
3. Connect the internal battery connector, as shown in Figure 334 on page 340. Each end of the keyed connector has two wires: one red (+) and one black (-). Join the black wires and the red wires together.

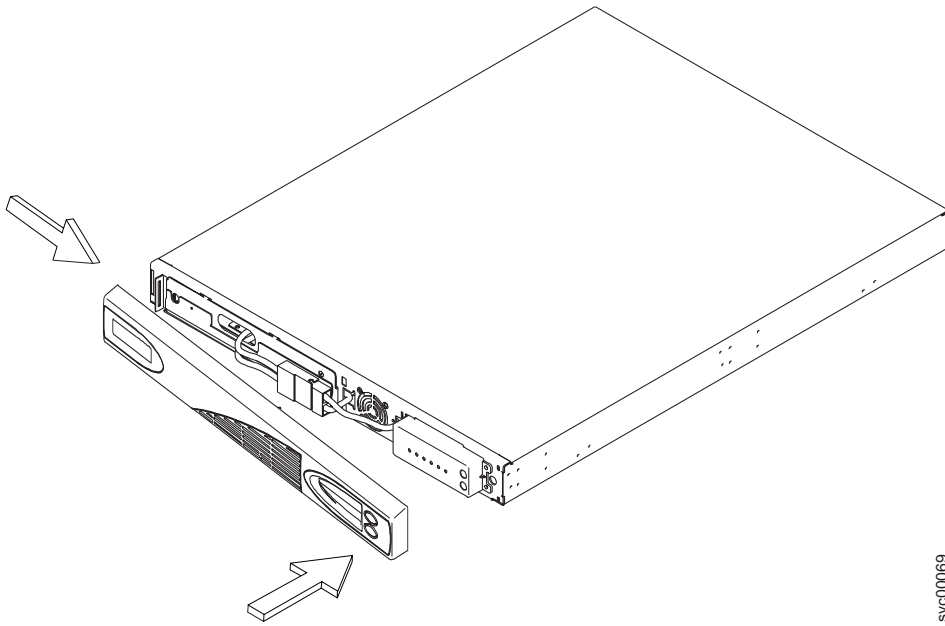
Note: A small amount of arcing might occur when connecting the batteries. This is normal and does not damage the unit or present any safety concerns.



svc00061

Figure 333. The 2145 UPS-1U internal-battery connector

4. Push the front panel to the right to catch on the left end of the panel. Push the front panel forward until the panel snaps into the right and middle sections of the 2145 UPS-1U, as shown in Figure 334 on page 340.



svc00069

Figure 334. Replacing the 2145 UPS-1U front panel

5. Ensure that the 2145 UPS-1U is turned on. Press and hold the 2145 UPS-1U test button for three seconds to start the self-test. If any of the Alarm, Battery, or Overload indicators are on or the buzzer is sounding, go to MAP 5150 in the *IBM System Storage SAN Volume Controller Troubleshooting Guide* to resolve the problem.

Note: Ignore all error indicators until the self-test has been run.

6. Turn on the SAN Volume Controller.

Note: If the new battery does not have enough charge to support the actions that are required during a power failure, the SAN Volume Controller node pauses with Charging displayed on its front panel until a sufficient charge is available. If there is a sufficient charge to support the actions that are required during a single power failure but not sufficient charge to support two power failures, the node starts and joins the cluster but displays Recovering on its front panel.

Appendix. Accessibility

Accessibility features help a user who has a physical disability, such as restricted mobility or limited vision, to use software products successfully.

Features

This list includes the major accessibility features in the management GUI:

- You can use screen-reader software and a digital speech synthesizer to hear what is displayed on the screen. The following screen reader has been tested: JAWS 11.
- Most of the GUI features are accessible by using the keyboard. For those features that are not accessible, equivalent function is available by using the command-line interface (CLI).
- When setting or changing an IP address on the SAN Volume Controller front panel, you can disable the fast increase function to reduce the address scrolling speed of the up and down buttons to two seconds. This feature is documented in the topic that discusses initiating cluster (system) creation from the front panel, which is located in the IBM System Storage SAN Volume Controller Information Center and the *IBM System Storage SAN Volume Controller Software Installation and Configuration Guide*.

Navigating by keyboard

You can use keys or key combinations to perform operations and initiate many menu actions that can also be done through mouse actions. You can navigate the management GUI and help system from the keyboard by using the following key combinations:

- To navigate between different GUI panels, select the Low-graphics mode option on the GUI login panel. You can use this option to navigate to all the panels without manually typing the web addresses.
- To go to the next frame, press Ctrl+Tab.
- To move to the previous frame, press Shift+Ctrl+Tab.
- To navigate to the next link, button, or topic within a panel, press Tab inside a frame (page).
- To move to the previous link, button, or topic within a panel, press Shift+Tab.
- To select GUI objects, press Enter.
- To print the current page or active frame, press Ctrl+P.
- To expand a tree node, press the Right Arrow key. To collapse a tree node, press the Left Arrow key.
- To scroll all the way up, press Home; to scroll all the way down, press End.
- To go back, press Alt+Left Arrow key.
- To go forward, press Alt+Right Arrow key.
- For actions menus:
 - Press Tab to navigate to the grid header.
 - Press the Left or Right Arrow keys to reach the drop-down field.
 - Press Enter to open the drop-down menu.
 - Press the Up or Down Arrow keys to select the menu items.
 - Press Enter to launch the action.
- For filter panes:
 - Press Tab to navigate to the filter panes.
 - Press the Up or Down Arrow keys to change the filter or navigation for nonselection.
 - Press Tab to navigate to the magnifying glass icon in the filter pane and press Enter.
 - Type the filter text.

- Press Tab to navigate to the red X icon and press Enter to reset the filter.
- For information areas:
 - Press Tab to navigate to information areas.
 - Press Tab to navigate to the fields that are available for editing.
 - Type your edit and press Enter to issue the change command.

Accessing the publications

You can find the HTML version of the IBM System Storage SAN Volume Controller information at the following website:

publib.boulder.ibm.com/infocenter/svc/ic/index.jsp

You can access this information using screen-reader software and a digital speech synthesizer to hear what is displayed on the screen. The information was tested using the following screen reader: JAWS Version 10 or later.

Notices

This information was developed for products and services offered in the U.S.A.

IBM may not offer the products, services, or features discussed in this document in other countries. Consult your local IBM representative for information on the products and services currently available in your area. Any reference to an IBM product, program, or service is not intended to state or imply that only that IBM product, program, or service may be used. Any functionally equivalent product, program, or service that does not infringe any IBM intellectual property right may be used instead. However, it is the user's responsibility to evaluate and verify the operation of any non-IBM product, program, or service.

IBM may have patents or pending patent applications covering subject matter described in this document. The furnishing of this document does not grant you any license to these patents. You can send license inquiries, in writing, to:

*IBM Director of Licensing
IBM Corporation
North Castle Drive
Armonk, NY 10504-1785
U.S.A.*

For license inquiries regarding double-byte character set (DBCS) information, contact the IBM Intellectual Property Department in your country or send inquiries, in writing, to:

*Intellectual Property Licensing
Legal and Intellectual Property Law
IBM Japan Ltd.
1623-14, Shimotsuruma, Yamato-shi
Kanagawa 242-8502 Japan*

The following paragraph does not apply to the United Kingdom or any other country where such provisions are inconsistent with local law: INTERNATIONAL BUSINESS MACHINES CORPORATION PROVIDES THIS PUBLICATION "AS IS" WITHOUT WARRANTY OF ANY KIND, EITHER EXPRESS OR IMPLIED, INCLUDING, BUT NOT LIMITED TO, THE IMPLIED WARRANTIES OF NON-INFRINGEMENT, MERCHANTABILITY OR FITNESS FOR A PARTICULAR PURPOSE. Some states do not allow disclaimer of express or implied warranties in certain transactions, therefore, this statement may not apply to you.

This information could include technical inaccuracies or typographical errors. Changes are periodically made to the information herein; these changes will be incorporated in new editions of the publication. IBM may make improvements and/or changes in the product(s) and/or the program(s) described in this publication at any time without notice.

Any references in this information to non-IBM Web sites are provided for convenience only and do not in any manner serve as an endorsement of those Web sites. The materials at those Web sites are not part of the materials for this IBM product and use of those Web sites is at your own risk.

IBM may use or distribute any of the information you supply in any way it believes appropriate without incurring any obligation to you.

Licensees of this program who wish to have information about it for the purpose of enabling: (i) the exchange of information between independently created programs and other programs (including this one) and (ii) the mutual use of the information which has been exchanged, should contact:

*IBM Corporation
Almaden Research
650 Harry Road
Bldg 80, D3-304, Department 277
San Jose, CA 95120-6099
U.S.A.*

Such information may be available, subject to appropriate terms and conditions, including in some cases, payment of a fee.

The licensed program described in this document and all licensed material available for it are provided by IBM under terms of the IBM Customer Agreement, IBM International Program License Agreement or any equivalent agreement between us.

Any performance data contained herein was determined in a controlled environment. Therefore, the results obtained in other operating environments may vary significantly. Some measurements may have been made on development-level systems and there is no guarantee that these measurements will be the same on generally available systems. Furthermore, some measurements may have been estimated through extrapolation. Actual results may vary. Users of this document should verify the applicable data for their specific environment.

Information concerning non-IBM products was obtained from the suppliers of those products, their published announcements or other publicly available sources. IBM has not tested those products and cannot confirm the accuracy of performance, compatibility or any other claims related to non-IBM products. Questions on the capabilities of non-IBM products should be addressed to the suppliers of those products.

All statements regarding IBM's future direction or intent are subject to change or withdrawal without notice, and represent goals and objectives only.

This information is for planning purposes only. The information herein is subject to change before the products described become available.

This information contains examples of data and reports used in daily business operations. To illustrate them as completely as possible, the examples include the names of individuals, companies, brands, and products. All of these names are fictitious and any similarity to the names and addresses used by an actual business enterprise is entirely coincidental.

COPYRIGHT LICENSE:

This information contains sample application programs in source language, which illustrate programming techniques on various operating platforms. You may copy, modify, and distribute these sample programs in any form without payment to IBM, for the purposes of developing, using, marketing or distributing application programs conforming to the application programming interface for the operating platform for which the sample programs are written. These examples have not been thoroughly tested under all conditions. IBM, therefore, cannot guarantee or imply reliability, serviceability, or function of these programs. The sample programs are provided "AS IS", without warranty of any kind. IBM shall not be liable for any damages arising out of your use of the sample programs.

If you are viewing this information softcopy, the photographs and color illustrations may not appear.

Trademarks

IBM, the IBM logo, and [ibm.com](http://www.ibm.com)[®] are trademarks or registered trademarks of International Business Machines Corp., registered in many jurisdictions worldwide. Other product and service names might be trademarks of IBM or other companies. A current list of IBM trademarks is available on the web at Copyright and trademark information at www.ibm.com/legal/copytrade.shtml.

Adobe and the Adobe logo are either registered trademarks or trademarks of Adobe Systems Incorporated in the United States, and/or other countries.

Intel, Intel logo, Intel Xeon, and Pentium are trademarks or registered trademarks of Intel Corporation or its subsidiaries in the United States and other countries.

Linux is a registered trademark of Linus Torvalds in the United States, other countries, or both.

Microsoft, Windows, Windows NT, and the Windows logo are trademarks of Microsoft Corporation in the United States, other countries, or both.

UNIX is a registered trademark of The Open Group in the United States and other countries.

Java and all Java-based trademarks and logos are trademarks or registered trademarks of Oracle and/or its affiliates.

Electronic emission notices

The following electronic emission statements apply to this product. The statements for other products that are intended for use with this product are included in their accompanying documentation.

Federal Communications Commission (FCC) statement

This explains the Federal Communications Commission's (FCC) statement.

This equipment has been tested and found to comply with the limits for a Class A digital device, pursuant to Part 15 of the FCC Rules. These limits are designed to provide reasonable protection against harmful interference when the equipment is operated in a commercial environment. This equipment generates, uses, and can radiate radio frequency energy and, if not installed and used in accordance with the instruction manual, might cause harmful interference to radio communications. Operation of this equipment in a residential area is likely to cause harmful interference, in which case the user will be required to correct the interference at his own expense.

Properly shielded and grounded cables and connectors must be used in order to meet FCC emission limits. IBM is not responsible for any radio or television interference caused by using other than recommended cables and connectors, or by unauthorized changes or modifications to this equipment. Unauthorized changes or modifications could void the user's authority to operate the equipment.

This device complies with Part 15 of the FCC Rules. Operation is subject to the following two conditions: (1) this device might not cause harmful interference, and (2) this device must accept any interference received, including interference that might cause undesired operation.

Industry Canada compliance statement

This Class A digital apparatus complies with ICES-003.

Cet appareil numérique de la classe A est conforme à la norme NMB-003 du Canada.

Avis de conformité à la réglementation d'Industrie Canada

Cet appareil numérique de la classe A est conforme à la norme NMB-003 du Canada.

Australia and New Zealand Class A Statement

Attention: This is a Class A product. In a domestic environment this product might cause radio interference in which case the user might be required to take adequate measures.

European Union Electromagnetic Compatibility Directive

This product is in conformity with the protection requirements of European Union (EU) Council Directive 2004/108/EC on the approximation of the laws of the Member States relating to electromagnetic compatibility. IBM cannot accept responsibility for any failure to satisfy the protection requirements resulting from a non-recommended modification of the product, including the fitting of non-IBM option cards.

Attention: This is an EN 55022 Class A product. In a domestic environment this product might cause radio interference in which case the user might be required to take adequate measures.

Responsible Manufacturer:

International Business Machines Corp.
New Orchard Road
Armonk, New York 10504
914-499-1900

European community contact:

IBM Deutschland GmbH
Technical Regulations, Department M372
IBM-Allee 1, 71139 Ehningen, Germany
Tele: +49 7032 15 2941
e-mail: <mailto:lugi@de.ibm.com>

Germany Electromagnetic compatibility directive

Deutschsprachiger EU Hinweis: Hinweis für Geräte der Klasse A EU-Richtlinie zur Elektromagnetischen Verträglichkeit

Dieses Produkt entspricht den Schutzanforderungen der EU-Richtlinie 2004/108/EG zur Angleichung der Rechtsvorschriften über die elektromagnetische Verträglichkeit in den EU-Mitgliedsstaaten und hält die Grenzwerte der EN 55022 Klasse A ein.

Um dieses sicherzustellen, sind die Geräte wie in den Handbüchern beschrieben zu installieren und zu betreiben. Des Weiteren dürfen auch nur von der IBM empfohlene Kabel angeschlossen werden. IBM übernimmt keine Verantwortung für die Einhaltung der Schutzanforderungen, wenn das Produkt ohne Zustimmung der IBM verändert bzw. wenn Erweiterungskomponenten von Fremdherstellern ohne Empfehlung der IBM gesteckt/eingebaut werden.

EN 55022 Klasse A Geräte müssen mit folgendem Warnhinweis versehen werden:

"Warnung: Dieses ist eine Einrichtung der Klasse A. Diese Einrichtung kann im Wohnbereich Funk-Störungen verursachen; in diesem Fall kann vom Betreiber verlangt werden, angemessene Maßnahmen zu ergreifen und dafür aufzukommen."

Deutschland: Einhaltung des Gesetzes über die elektromagnetische Verträglichkeit von Geräten

Dieses Produkt entspricht dem "Gesetz über die elektromagnetische Verträglichkeit von Geräten (EMVG)." Dies ist die Umsetzung der EU-Richtlinie 2004/108/EG in der Bundesrepublik Deutschland.

Zulassungsbescheinigung laut dem Deutschen Gesetz über die elektromagnetische Verträglichkeit von Geräten (EMVG) (bzw. der EMC EG Richtlinie 2004/108/EG) für Geräte der Klasse A

Dieses Gerät ist berechtigt, in Übereinstimmung mit dem Deutschen EMVG das EG-Konformitätszeichen - CE - zu führen.

Verantwortlich für die Einhaltung der EMV Vorschriften ist der Hersteller:

International Business Machines Corp.
New Orchard Road
Armonk, New York 10504
Tel: 914-499-1900

Der verantwortliche Ansprechpartner des Herstellers in der EU ist:

IBM Deutschland GmbH
Technical Regulations, Department M372
IBM-Allee 1, 71139 Ehningen, Germany
Tele: +49 7032 15 2941
e-mail: mailto:lugi@de.ibm.com

Generelle Informationen: Das Gerät erfüllt die Schutzanforderungen nach EN 55024 und EN 55022 Klasse A.

Japan VCCI Council Class A statement

この装置は、クラス A 情報技術装置です。この装置を家庭環境で使用する
と電波妨害を引き起こすことがあります。この場合には使用者が適切な対策
を講ずるよう要求されることがあります。 VCCI-A

People's Republic of China Class A Electronic Emission Statement

中华人民共和国“A类”警告声明

声明

此为A级产品，在生活环境中，该产品可能会造成无线电干扰。在这种情况下，可能需要用户对其干扰采取切实可行的措施。

International Electrotechnical Commission (IEC) statement

This product has been designed and built to comply with (IEC) Standard 950.

United Kingdom telecommunications requirements

This apparatus is manufactured to the International Safety Standard EN60950 and as such is approved in the U.K. under approval number NS/G/1234/J/100003 for indirect connection to public telecommunications systems in the United Kingdom.

Korean Communications Commission (KCC) Class A Statement

이 기기는 업무용(A급)으로 전자파적합기기로서 판매자 또는 사용자는 이 점을 주의하시기 바라며, 가정외의 지역에서 사용하는 것을 목적으로 합니다.

Taiwan Class A compliance statement

警告使用者：
這是甲類的資訊產品，在居住的環境中使用時，可能會造成射頻干擾，在這種情況下，使用者會被要求採取某些適當的對策。
talenti

European Contact Information

This topic contains the product service contact information for Europe.

European Community contact:
IBM Technical Regulations
Pascalstr. 100, Stuttgart, Germany 70569
Tele: 0049 (0)711 785 1176
Fax: 0049 (0)711 785 1283
Email: [mailto: tjahn @ de.ibm.com](mailto:tjahn@de.ibm.com)

Taiwan Contact Information

This topic contains the product service contact information for Taiwan.

IBM Taiwan Product Service Contact Information:

IBM Taiwan Corporation

3F, No 7, Song Ren Rd., Taipei Taiwan

Tel: 0800-016-888

台灣IBM 產品服務聯絡方式：
台灣國際商業機器股份有限公司
台北市松仁路7號3樓
電話：0800-016-888

f2c00790

Index

Numerics

- 10 Gbps Ethernet
 - riser-card assembly
 - removing 200
 - replacing 203
- 10 Gbps Ethernet riser-card assembly
 - removing 201
- 2145 UPS-1U
 - assembly 21
 - battery
 - removing 336
 - replacing 338
 - bracket, retention 321
 - power cables 23
 - removing 322
 - removing power cable 335
 - replacing 326
 - support rails 331, 332
- 2145-8A4 node
 - FRUs 11
- 2145-8F2 node
 - FRUs 19
- 2145-8F4 node
 - FRUs 17
- 2145-8G4 node
 - FRUs 13
- 2145-CF8
 - cable-management arm 27, 30
 - replacing in rack 60
 - service controller 89
 - support rails 65, 69
- 2145-CF8 node
 - FRUs 6
- 2145-CG8
 - cable-management arm 27, 30
 - replacing in rack 60
 - service controller 89
 - support rails 65, 69
- 2145-CG8 node
 - FRUs 1

A

- accessibility
 - keyboard 341
 - repeat rate
 - up and down buttons 341
 - shortcut keys 341
- accessing
 - publications 341
- adapter assembly
 - removing 185
 - replacing 193

B

- bracket
 - 2145 UPS-1U
 - removing 321
 - replacing 321

- bracket (*continued*)
 - cable retention
 - SAN Volume Controller 2145-8A4 36
 - SAN Volume Controller 2145-8F4 40
 - SAN Volume Controller 2145-8G4 43

C

- cable retention bracket
 - removing
 - SAN Volume Controller 2145-8A4 36
 - SAN Volume Controller 2145-8F4 40
 - replacing
 - SAN Volume Controller 2145-8G4 43
- cable-management arm
 - removing 27
 - replacing 30
- cable-retention bracket
 - removing
 - 2145 UPS-1U 321
 - SAN Volume Controller 2145-8G4 37
 - replacing
 - 2145 UPS-1U 321
 - SAN Volume Controller 2145-8A4 42
 - SAN Volume Controller 2145-8F4 46
- cable-retention brackets
 - removing
 - SAN Volume Controller 2145-CG8 or 2145-CF8 35
 - replacing
 - SAN Volume Controller 2145-CG8 or 2145-CF8 41
- cables
 - 2145 UPS-1U
 - power requirements 23
 - removing from 335
- Canadian electronic emission notice 345
- catalog 1
- caution notices
 - heavy weight 322
- changes in guide
 - summary xxiii
- CMOS battery
 - SAN Volume Controller 2145-8A4
 - removing 148
 - replacing 155
 - SAN Volume Controller 2145-8F2
 - removing 151
 - replacing 158
 - SAN Volume Controller 2145-8F4
 - removing 151
 - replacing 158

- CMOS battery (*continued*)
 - SAN Volume Controller 2145-8G4
 - removing 150
 - replacing 157
 - SAN Volume Controller 2145-CG8 or 2145-CF8
 - removing 146
 - replacing 153
- concurrent maintenance 25
- contact information
 - European 349
 - Taiwan 351

D

- danger notices
 - power control switches 48, 51, 54
- Deutschsprachiger EU Hinweis 346
- disk drives
 - replacing 105
- disk-controller
 - riser-card assembly
 - removing 217
 - replacing 220
- disk-drive backplane
 - removing 130
 - replacing 138
- disposal
 - product xxiii

E

- electronic emission notices
 - Avis de conformité à la réglementation d'Industrie Canada 346
 - Deutschsprachiger EU Hinweis 346
 - European Union (EU) 346
 - Federal Communications Commission (FCC) 345
 - French Canadian 346
 - Germany 346
 - Industry Canada 345
 - International Electrotechnical Commission (IEC) 348
 - Japanese Voluntary Control Council for Interference (VCCI) 347
 - Korean 348
 - New Zealand 346
 - People's Republic of China 347
 - Taiwan 348
 - United Kingdom 348
- EMC statement, People's Republic of China 347
- emergency power-off (EPO) event xxi
- environmental notices xiii, xxi
- EPO (emergency power-off) event xxi
- Ethernet
 - SFP transceiver
 - removing 198

Ethernet (*continued*)
SFP transceiver (*continued*)
replacing 198
Ethernet riser-card assembly
replacing 204
European contact information 349
European Union (EU), EMC Directive
conformance statement 346
external device safety check xviii

F

fans
removing 251
replacing 257
FCC (Federal Communications
Commission) electronic emission
notice 345
Federal Communications Commission
(FCC) electronic emission notice 345
Fibre Channel
adapter assemblies
removing 185
replacing 193
SFP transceiver 184
field replaceable units
SAN Volume Controller 2145-8F2 19
SAN Volume Controller 2145-8F4 17
field-replaceable units
part numbers 1, 6, 11, 13
SAN Volume Controller 2145-8A4 11
SAN Volume Controller 2145-8G4 13
SAN Volume Controller 2145-CF8 6
SAN Volume Controller 2145-CG8 1
frame assembly
removing 182
replacing 182
French Canadian electronic emission
notice 346

G

Germany electronic emission compliance
statement 346

H

hazards xvii, xx
high-speed SAS adapter
removing 206
replacing 209
hot-swap SAN Volume Controller
2145-CG8 or 2145-CF8 drive
SAS IDs 118

I

IDs for SAS hot-swap drives
SAN Volume Controller 2145-CG8 or
2145-CF8 118
IEC (International Electrotechnical
Commission) electronic emission
notice 348
information
center xxiv

inspections, safety
external device check xviii
internal device check xviii
SAN Volume Controller xvii
uninterruptible power supply xx
installing
SAN Volume Controller 2145-8A4
support rails 72
SAN Volume Controller 2145-8F2
support rails 77
SAN Volume Controller 2145-8F4
support rails 77
SAN Volume Controller 2145-8G4
support rails 75
support rails 69
2145 UPS-1U 332
SAN Volume Controller 69
SAN Volume Controller
2145-8A4 72
SAN Volume Controller
2145-8F2 77
SAN Volume Controller
2145-8F4 77
SAN Volume Controller
2145-8G4 75
the heat sink 273
internal device safety check xviii
International Electrotechnical Commission
(IEC) electronic emission notice 348

J

Japanese electronic emission notice 347

K

keyboard
accessibility 341
Korean electronic emission
statement 348

L

legal notices
Notices 343
trademarks 345

M

memory modules
removing 107
replacing 112
microprocessor
removing 264, 267, 269
replacing 272

N

New Zealand electronic emission
statement 346
non-IBM Alteration form xviii

O

operator-information panel cable
removing 244, 245
replacing 247, 248, 250
SAN Volume Controller 2145-8A4
removing 245
replacing 250
SAN Volume Controller 2145-CG8 or
2145-CF8
removing 244
replacing 248

P

part numbers
FRUs 1
redundant ac-power switch 21
SAN Volume Controller 2145-8A4 11
SAN Volume Controller 2145-8G4 13
SAN Volume Controller 2145-CF8 6
SAN Volume Controller 2145-CG8 1

parts

catalog 1
listing 1
removing
overview 25
preparing 26
replacing
overview 25
preparing 26

parts listing 8

PCI express riser card assembly
removing 225
replacing 226
SAN Volume Controller 2145-8A4
removing 225
replacing 226
SAN Volume Controller 2145-8G4
removing 226
replacing 226

PDU (power distribution unit) 23
People's Republic of China, electronic
emission statement 347

power

cables
2145 UPS-1U 23
country or region 23
distribution unit (PDU) 23
emergency power-off event xxi
off

SAN Volume Controller 47
on with the node cover off 26
supply

removing 160
replacing 168

power backplane

SAN Volume Controller 2145-8G4
replacing 180

publications

accessing 341

R

redundant ac-power switch
assembly 21
part numbers 21

- redundant ac-power switch *(continued)*
 - power cables 23
 - replacing 319
- related information xxiv
- removing
 - 10 Gbps Ethernet riser-card assembly 200, 201
 - 2145 UPS-1U 322
 - 2145 UPS-1U battery 336
 - 2145 UPS-1U retention bracket 321
 - 2145-8F2
 - power supply 167
 - 2145-8F4
 - power supply 167
 - adapter assembly 185
 - adapter cable 210
 - cable-management arm 27
 - cable-retention bracket
 - 2145 UPS-1U 321
 - SAN Volume Controller 2145-8A4 36
 - SAN Volume Controller 2145-8F4 40
 - disk-drive backplane 130
 - Fibre Channel SFP transceiver 184
 - high-speed SAS adapter 206, 210
 - memory modules 107
 - operator-information panel cable 244
 - parts
 - overview 25
 - preparing 26
 - PCI express riser card assembly 225
 - power cable
 - 2145 UPS-1U 335
 - power-cable assembly 105
 - redundant ac-power switch
 - microprocessor 318
 - redundant ac-power switch 318
 - removing 318
 - riser-card assembly 217
 - SAN Volume Controller 2145-8A4
 - CMOS battery 148
 - disk drive 114, 119
 - disk-drive backplane 134
 - fans 253
 - Fibre Channel adapter assembly 188
 - heat sink 267
 - microprocessor 267
 - operator-information panel 228
 - operator-information panel cable 245
 - PCI express riser card assembly 225
 - power supply 163
 - service controller 95
 - support rails 66
 - voltage regulator module 267
 - SAN Volume Controller 2145-8F2
 - adapter assembly 191
 - CMOS battery 151
 - disk drive 115, 120
 - fan backplanes 263
 - fan holder 263
 - frame assembly 182
 - heat sink 271
 - microprocessor 271
- removing *(continued)*
 - SAN Volume Controller 2145-8F2 *(continued)*
 - operator-information panel 234
 - power backplane 179
 - service controller 98
 - voltage regulator module 271, 285
 - SAN Volume Controller 2145-8F4
 - adapter assembly 191
 - CMOS battery 151
 - disk drive 115, 120
 - fan backplanes 263
 - fan holder 263
 - fans 255
 - frame assembly 182
 - heat sink 271
 - microprocessor 271
 - operator-information panel 234
 - power backplane 179
 - service controller 98
 - voltage regulator module 271, 285
 - SAN Volume Controller 2145-8G4
 - CMOS battery 150
 - disk drive 114, 119
 - disk-drive backplane 136
 - fans 254
 - Fibre Channel adapter assembly 190
 - heat sink 269
 - microprocessor 269
 - operator-information panel 229
 - PCI express riser card assembly 226
 - power backplane 178
 - power supply 166
 - service controller 96
 - voltage regulator module 269
 - SAN Volume Controller 2145-CG8 or 2145-CF8
 - boot drive 116
 - CMOS battery 146
 - disk drive 116
 - disk-controller and USB riser-card assembly 218
 - disk-drive backplane 131
 - fans 251
 - Fibre Channel adapter assembly 186
 - heat sink 264
 - high-speed cable 211
 - high-speed SAS adapter assembly 207
 - microprocessor 264
 - operator-information panel 227
 - operator-information panel cable 244
 - power supply 162
 - solid-state drive (SSD) 126
 - voltage regulator module 264
 - SAN Volume Controller from a rack 47
 - service controller 89
 - cable from 2145-CG8 or 2145-CF8 91
 - SAN Volume Controller 2145-8A4 95
- removing *(continued)*
 - service controller *(continued)*
 - SAN Volume Controller 2145-8F2 98
 - SAN Volume Controller 2145-8F4 98
 - SAN Volume Controller 2145-8G4 96
 - SFP transceiver 184
 - Ethernet 198
 - signal cable 105
 - solid-state drive (SSD) 210
 - solid-state drives (SSDs) 126
 - support rails 65
 - 2145 UPS-1U 331
 - SAN Volume Controller 2145-8A4 66
 - SAN Volume Controller 2145-8F2 68
 - SAN Volume Controller 2145-8F4 68
 - SAN Volume Controller 2145-8G4 67
 - system board
 - SAN Volume Controller 287
 - SAN Volume Controller 2145-8A4 290
 - SAN Volume Controller 2145-8G4 295
 - SAN Volume Controller 2145-CG8 or 2145-CF8 287
 - top cover
 - SAN Volume Controller 2145-8A4 82
 - SAN Volume Controller 2145-8F2 84
 - SAN Volume Controller 2145-8F4 84
 - SAN Volume Controller 2145-8G4 83
 - SAN Volume Controller 2145-CG8 or 2145-CF8 81
- replacing
 - 10 Gbps Ethernet riser-card assembly 203
 - 2145 UPS-1U battery 338
 - 2145 UPS-1U retention bracket 321
 - adapter assembly 193
 - adapter cable 214
 - cable-management arm 30
 - cable-retention bracket
 - SAN Volume Controller 2145-8A4 42
 - SAN Volume Controller 2145-8F4 46
 - SAN Volume Controller 2145-8G4 43
 - disk-drive backplane 138
 - Ethernet riser-card assembly 204
 - Fibre Channel SFP transceiver 184
 - hard disk drive 105
 - high-speed SAS adapter 209
 - memory modules 112
 - operator-information panel cable 247
 - parts
 - overview 25
 - preparing 26

- replacing (*continued*)
 - PCI express riser card assembly 226
 - power supplies
 - 2145 UPS-1U 326
 - redundant ac-power switch 319
 - riser-card assembly 220
 - SAN Volume Controller 2145-8A4
 - CMOS battery 155
 - disk drive 124
 - disk-drive backplane 142
 - fans 260
 - Fibre Channel adapter
 - assembly 195
 - heat sink 278
 - microprocessor 278
 - operator-information panel 238
 - operator-information panel
 - cable 250
 - PCI express riser card
 - assembly 226
 - power supply 172
 - top cover 86
 - voltage regulator module 278
 - SAN Volume Controller 2145-8F2
 - adapter assembly 197
 - CMOS battery 158
 - disk drive 125
 - fan backplanes 263
 - fan holder 263
 - frame assembly 182
 - heat sink 283
 - microprocessor 283
 - operator-information panel 243
 - power backplane 181
 - power supply 176
 - service controller 104
 - voltage regulator module 283
 - SAN Volume Controller 2145-8F4
 - adapter assembly 197
 - CMOS battery 158
 - disk drive 125
 - fan backplanes 263
 - fan holder 263
 - fans 262
 - frame assembly 182
 - heat sink 283
 - microprocessor 283
 - operator-information panel 243
 - power backplane 181
 - power supply 176
 - SAN Volume Controller
 - 2145-8F2 87
 - service controller 104
 - top cover 87
 - voltage regulator module 283
 - SAN Volume Controller 2145-8G4
 - CMOS battery 157
 - disk drive 124
 - disk-drive backplane 144
 - fans 261
 - Fibre Channel adapter
 - assembly 196
 - heat sink 281
 - microprocessor 281
 - operator-information panel 239
 - PCI express riser card
 - assembly 226
 - replacing (*continued*)
 - SAN Volume Controller 2145-8G4
 - (*continued*)
 - power backplane 180
 - power supply 175
 - top cover 87
 - voltage regulator module 281
 - SAN Volume Controller
 - 2145-CF8 194
 - SAN Volume Controller
 - 2145-CG8 194
 - SAN Volume Controller 2145-CG8 or
 - 2145-CF8
 - CMOS battery 153
 - disk drive 122
 - disk-controller and USB riser-card
 - assembly 220
 - disk-drive backplane 138
 - fans 257
 - heat sink 273
 - high-speed cable 214
 - high-speed SAS adapter 209
 - microprocessor 273
 - operator-information panel 236
 - operator-information panel
 - cable 248
 - power supply 170
 - top cover 85
 - voltage regulator module 273
 - SAN Volume Controller in the
 - rack 58
 - SAS adapter 214
 - service controller 99, 104, 105
 - cable from 2145-CG8 or
 - 2145-CF8 91
 - SAN Volume Controller 2145-CG8
 - or 2145-CF8 99
 - SFP transceiver 184
 - Ethernet 198
 - solid-state drive (SSD) 214
 - solid-state drives (SSDs) 129
 - SSDs 129
 - system board
 - SAN Volume Controller 302
 - SAN Volume Controller
 - 2145-8A4 307
 - SAN Volume Controller
 - 2145-8G4 309
 - SAN Volume Controller 2145-CG8
 - or 2145-CF8 302
 - top cover
 - SAN Volume Controller
 - 2145-8A4 86
 - SAN Volume Controller
 - 2145-8F2 87
 - SAN Volume Controller
 - 2145-8F4 87
 - SAN Volume Controller
 - 2145-8G4 87
 - SAN Volume Controller 2145-CG8
 - or 2145-CF8 85
 - requirements
 - power cables 23
 - redundant ac-power switch 23
 - uninterruptible power supply xx
 - riser-card assembly
 - removing 217
 - riser-card assembly (*continued*)
 - 10 Gbps Ethernet 200
 - replacing 220
 - 10 Gbps Ethernet 203
- ## S
- safety notices xiii
 - SAN Volume Controller
 - checking grounding xviii
 - removing from a rack 47
 - replacing in the rack 58
 - support rails
 - installing 69
 - removing 65
 - system board
 - removing 287
 - replacing 302
 - turning off 47
 - SAN Volume Controller 2145-8A4
 - adapter assembly
 - removing 188
 - replacing 195
 - assembly 11
 - cable retention bracket 36
 - CMOS battery
 - removing 148
 - replacing 155
 - disk-drive backplane
 - removing 134
 - replacing 142
 - fans
 - removing 253
 - replacing 260
 - operator-information panel
 - removing 228
 - replacing 238
 - power supply
 - removing 163
 - replacing 172
 - replacing in the rack 61
 - service controller 101
 - removing 95
 - support rails 66, 72
 - system board
 - removing 290
 - replacing 307
 - SAN Volume Controller 2145-8F2
 - adapter assembly
 - removing 191
 - replacing 197
 - assembly 19
 - CMOS battery
 - removing 151
 - replacing 158
 - fans
 - removing 255
 - replacing 262
 - operator-information panel
 - removing 234
 - replacing 243
 - replacing in the rack 64
 - support rails 77
 - removing 68
 - SAN Volume Controller 2145-8F4
 - adapter assembly
 - removing 191

SAN Volume Controller 2145-8F4
(*continued*)

- adapter assembly (*continued*)
 - replacing 197
- assembly 17
- cable retention bracket 40
- CMOS battery
 - removing 151
 - replacing 158
- operator-information panel
 - removing 234
 - replacing 243
- replacing in the rack 64
- support rails 77
 - removing 68

SAN Volume Controller 2145-8G4

- adapter assembly
 - removing 190
 - replacing 196
- assembly 13
- cable retention bracket 43
- CMOS battery
 - removing 150
 - replacing 157
- disk-drive backplane
 - removing 136
 - replacing 144
- fans
 - removing 254
 - replacing 261
- operator-information panel
 - removing 229
 - replacing 239
- power supply
 - removing 166
 - replacing 175
- replacing in the rack 62
- service controller 103
 - removing 96
- support rails 75
 - removing 67
- system board
 - removing 295
 - replacing 309

SAN Volume Controller 2145-CF8

- assembly 6
- replacing 194

SAN Volume Controller 2145-CG8

- 10 Gbps Ethernet riser-card
 - assembly 201
- assembly 1
- Ethernet riser-card assembly 204
- replacing 194

SAN Volume Controller 2145-CG8 or 2145-CF8

- adapter assembly
 - removing 186
- CMOS battery
 - removing 146
 - replacing 153
- disk drive
 - replacing 122
- disk-controller and USB riser-card
 - assembly
 - removing 218
 - replacing 220

SAN Volume Controller 2145-CG8 or 2145-CF8 (*continued*)

- disk-drive backplane
 - removing 131
 - replacing 138
- fans
 - removing 251
 - replacing 257
- high-speed cable
 - removing 211
 - replacing 214
- high-speed SAS adapter
 - replacing 209
- high-speed SAS adapter assembly
 - removing 207
- operator-information panel
 - removing 227
 - replacing 236
- power supply
 - removing 162
 - replacing 170
- service controller
 - replacing 99
- solid-state drive (SSD)
 - removing 126
- SSDs 129
- system board
 - removing 287
 - replacing 302

SAN Volume Controller library

- related publications xxiv

SAS

- IDs for hot-swap drives 118

service controller

- replacing 105
- replacing from 2145-CG8 or 2145-CF8 91

service controller cable

- removing from 2145-CG8 or 2145-CF8 91

removing 89

- SAN Volume Controller 2145-8F2 98
- SAN Volume Controller 2145-8F4 98

removingSAN Volume Controller 2145-8A4 95

removingSAN Volume Controller 2145-8G4 96

replacing

- SAN Volume Controller 2145-8A4 101
- SAN Volume Controller 2145-8F2 104
- SAN Volume Controller 2145-8F4 104
- SAN Volume Controller 2145-8G4 103
- SAN Volume Controller 2145-CG8 or 2145-CF8 99

SFP transceiver

- removing 184, 198
- replacing 184, 198

shortcut keys

- accessibility 341

shortcut keys (*continued*)

- keyboard 341

solid-state drives (SSDs)

- removing 126
- replacing 129

SSDs

- replacing 129

static-sensitive devices xxi

summary

- changes in guide xxiii

support rails

- 2145 UPS-1U 332
- installing 69
- removing 65

SAN Volume Controller 2145-8A4 66, 72

SAN Volume Controller 2145-8F2 77

SAN Volume Controller 2145-8F4 77

SAN Volume Controller 2145-8G4 75

system board

- removing
 - SAN Volume Controller 287
 - SAN Volume Controller 2145-8A4 290
 - SAN Volume Controller 2145-8G4 295
 - SAN Volume Controller 2145-CG8 or 2145-CF8 287
- replacing
 - SAN Volume Controller 302
 - SAN Volume Controller 2145-8A4 307
 - SAN Volume Controller 2145-8G4 309
 - SAN Volume Controller 2145-CG8 or 2145-CF8 302

T

Taiwan

- contact information 351
- electronic emission notice 348

top cover

- removing
 - SAN Volume Controller 2145-8A4 82
 - SAN Volume Controller 2145-8F2 84
 - SAN Volume Controller 2145-8F4 84
 - SAN Volume Controller 2145-8G4 83
 - SAN Volume Controller 2145-CG8 or 2145-CF8 81
- replacing
 - SAN Volume Controller 2145-8A4 86
 - SAN Volume Controller 2145-8F2 87
 - SAN Volume Controller 2145-8F4 87
 - SAN Volume Controller 2145-8G4 87
 - SAN Volume Controller 2145-CG8 or 2145-CF8 85

trademarks 345

U

- uninterruptible power supply
 - 2145 UPS-1U
 - power cables 23
 - checking grounding xviii
 - removing the power 105
- United Kingdom electronic emission notice 348
- USB
 - riser-card assembly
 - removing 217
 - replacing 220

V

- voltage regulator module
 - removing 285

W

- websites xxvii
- worldwide node names
 - service controller
 - restoring 99
 - rewriting 99



Part Number: 31P1670

Printed in USA

GC27-2283-02



(1P) P/N: 31P1670

