



# System Storage SAN Volume Controller Hardware Maintenance Guide

*Version 6.2.0*

GC27-2283-00







# System Storage SAN Volume Controller Hardware Maintenance Guide

*Version 6.2.0*

GC27-2283-00

**Note**

Before using this information and the product it supports, read the general information in “Notices” on page 327, the information in the “Safety and environmental notices” on page xiii, as well as the information in the *IBM Environmental Notices and User Guide* on the documentation CD.

This edition applies to the IBM System Storage SAN Volume Controller, Version 6.2.0, and to all subsequent releases and modifications until otherwise indicated in new editions.

This edition replaces GC27-2226-01.

© Copyright IBM Corporation 2003, 2011.

US Government Users Restricted Rights – Use, duplication or disclosure restricted by GSA ADP Schedule Contract with IBM Corp.

# Contents

<b>Figures</b> . . . . .	<b>v</b>
--------------------------	----------

<b>Tables</b> . . . . .	<b>xi</b>
-------------------------	-----------

## **Safety and environmental notices** . . . **xiii**

General safety . . . . .	xiii
Electrical safety . . . . .	xv
Inspecting the SAN Volume Controller for unsafe conditions . . . . .	xvi
External device check . . . . .	xvii
Internal device checks . . . . .	xviii
Checking the grounding of SAN Volume Controller, the uninterruptible power supply, and the redundant ac-power switch . . . . .	xviii
Inspecting the uninterruptible power supply for unsafe conditions . . . . .	xix
Uninterruptible power-supply requirements . . . . .	xx
Emergency power-off shutdown . . . . .	xx
Handling static-sensitive devices . . . . .	xx
Environmental notices and statements . . . . .	xxi
Product recycling and disposal. . . . .	xxi

## **About this guide** . . . . . **xxiii**

Who should use this guide . . . . .	xxiii
Summary of changes for GC27-2283-00, SAN Volume Controller Hardware Maintenance Guide . . . . .	xxiii
Emphasis . . . . .	xxiv
SAN Volume Controller library and related publications . . . . .	xxiv
Related web sites . . . . .	xxvii
How to order IBM publications . . . . .	xxvii
Sending your comments . . . . .	xxvii

## **Chapter 1. Parts listing** . . . . . **1**

SAN Volume Controller 2145-CG8 parts . . . . .	1
SAN Volume Controller 2145-CF8 parts . . . . .	6
SAN Volume Controller 2145-8A4 parts . . . . .	10
SAN Volume Controller 2145-8G4 parts . . . . .	12
SAN Volume Controller 2145-8F4 parts . . . . .	16
SAN Volume Controller 2145-8F2 parts . . . . .	17
Redundant ac-power switch parts . . . . .	20
2145 UPS-1U parts . . . . .	20
Power cables for the 2145 UPS-1U . . . . .	21

## **Chapter 2. Removing and replacing parts** . . . . . **25**

Enabling concurrent maintenance . . . . .	25
Preparing to remove and replace parts . . . . .	26
Working inside the node with the power on . . . . .	26
Removing and replacing SAN Volume Controller parts. . . . .	26
Removing the cable-management arm . . . . .	26
Replacing the cable-management arm . . . . .	30
Removing the cable-retention bracket. . . . .	34

Replacing the cable-retention bracket . . . . .	39
Removing the SAN Volume Controller from a rack . . . . .	46
Replacing the SAN Volume Controller in a rack . . . . .	55
Removing the support rails for a SAN Volume Controller . . . . .	61
Installing the support rails for a SAN Volume Controller . . . . .	66
Removing the top cover . . . . .	77
Replacing the top cover . . . . .	81
Removing the service controller . . . . .	85
Replacing the service controller. . . . .	95
Replacing a disk drive and a service controller on the SAN Volume Controller . . . . .	102
Removing and replacing the SAN Volume Controller power-cable assembly . . . . .	102
Removing the memory modules (DIMM) . . . . .	104
Replacing the memory modules (DIMM) . . . . .	109
Removing the disk drive . . . . .	110
Replacing the disk drive. . . . .	118
Removing a solid-state drive (SSD) . . . . .	122
Replacing a solid-state drive (SSD) . . . . .	124
Removing the disk-drive backplane . . . . .	126
Replacing the disk-drive backplane . . . . .	134
Removing the CMOS battery . . . . .	142
Replacing the CMOS battery . . . . .	148
Removing the power supply . . . . .	155
Replacing the power supply . . . . .	162
Removing the power backplane . . . . .	171
Replacing the power backplane . . . . .	173
Removing and replacing the frame assembly . . . . .	175
Removing and replacing the Fibre Channel SFP transceiver on a SAN Volume Controller node . . . . .	177
Removing the Fibre Channel adapter assembly . . . . .	178
Replacing the Fibre Channel adapter assembly . . . . .	185
Removing and replacing an Ethernet SFP transceiver . . . . .	189
Removing the 10 Gbps Ethernet riser-card assembly . . . . .	191
Replacing the 10 Gbps Ethernet riser-card assembly . . . . .	194
Removing the high-speed SAS adapter . . . . .	196
Replacing the high-speed SAS adapter . . . . .	198
Removing the high-speed SAS adapter, the adapter cable, and the solid-state drive (SSD). . . . .	200
Replacing the high-speed SAS adapter, the adapter cable, and the solid-state drive (SSD). . . . .	204
Removing the disk-controller and USB riser-card assembly . . . . .	207
Replacing the disk-controller and USB riser-card assembly . . . . .	210
Removing the PCI express riser card assembly . . . . .	214
Replacing the PCI express riser-card assembly . . . . .	215
Removing the operator-information panel assembly . . . . .	215

Replacing the operator-information panel assembly . . . . .	224
Removing the operator-information panel cable . . . . .	232
Replacing the operator-information panel cable . . . . .	236
Removing the fans . . . . .	239
Replacing the fans . . . . .	244
Removing the SAN Volume Controller 2145-8F2 or SAN Volume Controller 2145-8F4 fan holder and fan backplanes . . . . .	250
Replacing the SAN Volume Controller 2145-8F2 or SAN Volume Controller 2145-8F4 fan holder and fan backplanes . . . . .	250
Removing the microprocessor . . . . .	251
Replacing the microprocessor . . . . .	259
Removing the SAN Volume Controller 2145-8F4 or SAN Volume Controller 2145-8F2 VRM . . . . .	271
Replacing the SAN Volume Controller 2145-8F2 or SAN Volume Controller 2145-8F4 VRM . . . . .	271
Removing the SAN Volume Controller system board . . . . .	272
Replacing the SAN Volume Controller system board . . . . .	287
Removing the redundant ac-power switch . . . . .	303
Replacing the redundant ac-power switch . . . . .	304
Removing and replacing 2145 UPS-1U parts . . . . .	305
Removing and replacing the 2145 UPS-1U power cable-retention bracket . . . . .	306
Removing the 2145 UPS-1U . . . . .	307
Replacing the 2145 UPS-1U . . . . .	310
Removing the support rails for a 2145 UPS-1U . . . . .	315
Installing the support rails for the 2145 UPS-1U . . . . .	316
Removing the power cable from the 2145 UPS-1U . . . . .	318
Removing the 2145 UPS-1U battery . . . . .	319
Replacing the 2145 UPS-1U battery . . . . .	321

**Appendix. Accessibility . . . . . 325**

**Notices . . . . . 327**

Trademarks . . . . .	329
Electronic emission notices . . . . .	329
Federal Communications Commission (FCC) statement . . . . .	329
Industry Canada compliance statement . . . . .	330
Avis de conformité à la réglementation d'Industrie Canada . . . . .	330
Australia and New Zealand Class A Statement . . . . .	330
European Union Electromagnetic Compatibility Directive . . . . .	330
Germany Electromagnetic compatibility directive . . . . .	330
Japan VCCI Council Class A statement . . . . .	331
People's Republic of China Class A Electronic Emission Statement . . . . .	331
International Electrotechnical Commission (IEC) statement . . . . .	332
United Kingdom telecommunications requirements . . . . .	332
Korean Communications Commission (KCC) Class A Statement . . . . .	332
Taiwan Class A compliance statement . . . . .	332

**European Contact Information . . . . . 333**

**Taiwan Contact Information . . . . . 335**

**Index . . . . . 337**

## Figures

1. Parts diagram for the SAN Volume Controller 2145-CG8 model . . . . .	2	33. Removing the 2145-CG8 or 2145-CF8 from the rack . . . . .	48
2. Exploded view of the SAN Volume Controller 2145-CF8 node . . . . .	6	34. The captive thumbscrews that secure the node and the shipping brackets. . . . .	51
3. Exploded view of the SAN Volume Controller 2145-8A4 node . . . . .	10	35. Removing the SAN Volume Controller 2145-8G4 from the rack . . . . .	53
4. Exploded view of the SAN Volume Controller 2145-8G4 node . . . . .	13	36. Installing the 2145-CG8 or 2145-CF8 node in the slide rails of the rack . . . . .	57
5. Exploded view of the SAN Volume Controller 2145-8F4 node. . . . .	16	37. Raising the 2145-CG8 or 2145-CF8 locking levers of the slide rails of the rack . . . . .	58
6. Exploded view of the SAN Volume Controller 2145-8F2 node. . . . .	18	38. The captive thumbscrews that secure the node and the shipping brackets. . . . .	59
7. View of the redundant ac-power switch FRU	20	39. The captive thumbscrews that secure the node and the shipping brackets. . . . .	60
8. Exploded view of the 2145 UPS-1U hardware	21	40. Aligning the SAN Volume Controller 2145-8G4 with the rack slides . . . . .	60
9. The cable-management arm, support rails, and associated parts of the 2145-CG8 and 2145-CF8	27	41. Sliding the SAN Volume Controller 2145-8F4 into the rack . . . . .	61
10. Release latches and mounting screws of the SAN Volume Controller 2145-CG8 or 2145-CF8.	28	42. Removing the front end of the slide rails	62
11. Removing the cables from the cable-management arm . . . . .	28	43. Removing the rear end of the slide rails	63
12. Removing the cable-management arm. . . . .	29	44. The rail-adjustment bracket and the release tab on the rear rail-locking carrier . . . . .	64
13. Removing the cable-management-support arm	30	45. Removing the latch strike from the front of the slide rail . . . . .	65
14. Installing the cable-management-support arm	31	46. Removing the right slide rail from the front of the rack. . . . .	65
15. Installing the cable-management arm . . . . .	32	47. The left support rail for the SAN Volume Controller . . . . .	66
16. Adjusting the location of the cable-management arm . . . . .	33	48. Opening the rear slide-rail hooks . . . . .	67
17. Connecting and routing the cables . . . . .	34	49. Installing the rear end of the slide rails	68
18. Cable-retention brackets . . . . .	35	50. Preparing the front end of the slide rails	68
19. SAN Volume Controller 2145-8A4 with the cable-retention bracket installed. . . . .	36	51. Installing the front end of the slide rails	69
20. SAN Volume Controller 2145-8G4 cable retention bracket - type A. . . . .	37	52. SAN Volume Controller 2145-8A4 support-rails installation kit. . . . .	69
21. SAN Volume Controller 2145-8G4 cable retention bracket - type B . . . . .	37	53. A closed rail-locking carrier at the front of the support rail for the SAN Volume Controller 2145-8A4 . . . . .	70
22. The SAN Volume Controller 2145-8G4 with the cable-retention bracket attached. . . . .	38	54. An open rail-locking carrier at the rear of the support rail for the SAN Volume Controller 2145-8A4 . . . . .	71
23. The SAN Volume Controller 2145-8G4 with cable-retention bracket type B attached . . . . .	39	55. Aligning the pins on the left front support rail for the SAN Volume Controller 2145-8A4 with the front mounting flange. . . . .	72
24. Cable-retention brackets . . . . .	40	56. SAN Volume Controller 2145-8G4 support rails installation kit. . . . .	73
25. Raising the SAN Volume Controller 2145-CF8 or 2145-CG8 locking levers of the slide rails of the rack. . . . .	41	57. Inserting the right slide rail into the rear rack mounting flange . . . . .	73
26. Retaining screw on the SAN Volume Controller 2145-8A4 node . . . . .	42	58. Extending the right slide rail. . . . .	74
27. Installing the SAN Volume Controller 2145-8A4 cable retention bracket . . . . .	42	59. Attaching the latch strike to the front of the slide rail . . . . .	74
28. SAN Volume Controller 2145-8G4 cable retention bracket - type A. . . . .	43	60. Retracting the latch-lock carrier . . . . .	75
29. SAN Volume Controller 2145-8G4 cable retention bracket - type B. . . . .	43	61. Opening the front latch-lock carrier assembly	75
30. The SAN Volume Controller 2145-8G4 before you attach the cable-retention bracket. . . . .	44	62. Opening the back latch-lock carrier assembly	76
31. The SAN Volume Controller 2145-8G4 with cable-retention bracket type B attached . . . . .	45	63. Installing the front end of the rail . . . . .	76
32. Attaching the cable retention bracket to the SAN Volume Controller 2145-8F4 power cable .	45	64. Closing the latch-lock carrier assembly . . . . .	77

65. Removing the SAN Volume Controller 2145-CG8 or 2145-CF8 cover . . . . .	79	91. SAN Volume Controller models 2145-CG8, 2145-CF8, 2145-8A4, 2145-8G4, and 2145-8F4 or 2145-8F2 power-control button . . . . .	104
66. Removing the SAN Volume Controller 2145-8A4 cover . . . . .	79	92. Locating the SAN Volume Controller 2145-CG8 memory modules. . . . .	105
67. The SAN Volume Controller 2145-8G4 with fan door open . . . . .	80	93. Locating the SAN Volume Controller 2145-CF8 memory modules . . . . .	106
68. SAN Volume Controller 2145-8F2 or SAN Volume Controller 2145-8F4 with fan doors open . . . . .	81	94. Locating the SAN Volume Controller 2145-8A4 memory modules . . . . .	107
69. Replacing the SAN Volume Controller 2145-CG8 or 2145-CF8 cover . . . . .	82	95. Locating the SAN Volume Controller 2145-8G4 memory modules . . . . .	107
70. Raising the SAN Volume Controller 2145-CF8 or 2145-CG8 locking levers of the slide rails of the rack . . . . .	83	96. Locating the SAN Volume Controller 2145-8F2 or SAN Volume Controller 2145-8F4 memory modules . . . . .	108
71. SAN Volume Controller 2145-8G4 with the fan door open . . . . .	84	97. Removing the memory modules . . . . .	109
72. SAN Volume Controller 2145-8F2 with the access doors open . . . . .	85	98. Replacing a memory module . . . . .	110
73. Left release button of a 2145-CG8 or 2145-CF8 service controller. . . . .	87	99. SAN Volume Controller 2145-8A4 SATA disk drive . . . . .	111
74. Service controller for the 2145-CG8 or 2145-CF8 with attached USB cable . . . . .	87	100. Removing the SATA disk drive. . . . .	112
75. SAN Volume Controller 2145-CG8 or 2145-CF8 service controller. . . . .	88	101. Boot drive location (SAN Volume Controller 2145-CF8 shown) . . . . .	114
76. Removing and replacing the USB cable in the SAN Volume Controller 2145-CG8 or 2145-CF8 service controller. . . . .	89	102. Drive-bay filler panel and disk-drive handle	115
77. USB service-controller cable connected to the disk controller and USB riser card (SAN Volume Controller 2145-CF8 shown) . . . . .	90	103. Drive IDs for SAN Volume Controller 2145-CF8 . . . . .	115
78. USB service-controller cable connector on the USB riser card . . . . .	91	104. Drive bay IDs for the SAN Volume Controller 2145-CG8 . . . . .	116
79. SAN Volume Controller 2145-8A4 service controller release button . . . . .	92	105. SAN Volume Controller 2145-8A4 SATA disk drive . . . . .	117
80. SAN Volume Controller 2145-8G4 service controller release button . . . . .	93	106. Removing the SATA disk drive. . . . .	118
81. Removing the service controller from the SAN Volume Controller 2145-8G4 . . . . .	93	107. Drive-bay filler panel and disk-drive handle	119
82. SAN Volume Controller 2145-8F2 or SAN Volume Controller 2145-8F4 with fan doors open . . . . .	94	108. Raising the SAN Volume Controller 2145-CF8 or 2145-CG8 locking levers of the slide rails of the rack . . . . .	120
83. SAN Volume Controller 2145-8F2 or SAN Volume Controller 2145-8F4 service controller . . . . .	95	109. Attaching the rails assembly to the SATA disk drive for the SAN Volume Controller 2145-8A4 and the SAN Volume Controller 2145-8G4 . . . . .	121
84. SAN Volume Controller 2145-CG8 or 2145-CF8 service controller (SAN Volume Controller 2145-CF8 shown). . . . .	96	110. Service controller with attached USB cable (SAN Volume Controller 2145-CF8 shown). . . . .	123
85. Raising the locking levers of the slide rails of the rack . . . . .	97	111. Solid-state drive (SSD) (SAN Volume Controller 2145-CG8 shown) . . . . .	124
86. SAN Volume Controller 2145-8A4 service controller . . . . .	98	112. SAN Volume Controller 2145-CG8 or 2145-CF8 drive and drive-bay filler . . . . .	125
87. SAN Volume Controller 2145-8G4 service controller . . . . .	99	113. Boot-disk SAS cable and the high-speed SAS cable connected to the disk backplane in the SAN Volume Controller 2145-CG8 or 2145-CF8 . . . . .	128
88. SAN Volume Controller 2145-8F2 or SAN Volume Controller 2145-8F4 service controller . . . . .	101	114. The 2145-CG8 boot-disk backplane . . . . .	129
89. SAN Volume Controller 2145-8F2 or SAN Volume Controller 2145-8F4 with fan doors open . . . . .	101	115. The SAN Volume Controller 2145-CF8 disk backplane. . . . .	130
90. Power LED on the SAN Volume Controller models 2145-CG8, 2145-CF8, 2145-8A4, 2145-8G4, and 2145-8F4 or 2145-8F2 operator-information panel . . . . .	103	116. SAN Volume Controller 2145-8A4 SATA cable connectors . . . . .	131
		117. Air deflector for the SAN Volume Controller 2145-8A4 power supply . . . . .	131
		118. SAN Volume Controller 2145-8A4 power supply connectors . . . . .	132
		119. The SAN Volume Controller 2145-8G4 disk-drive backplane connectors . . . . .	133
		120. The SAN Volume Controller 2145-8G4 SATA disk drive and backplane . . . . .	133
		121. The 2145-CG8 boot-disk backplane . . . . .	135



122. The SAN Volume Controller 2145-CF8 disk backplane . . . . .	135	148. SAN Volume Controller 2145-CG8 or 2145-CF8 power supply . . . . .	158
123. Boot-disk SAS cable and the high-speed SAS cable connected to the disk backplane in the SAN Volume Controller 2145-CG8 or 2145-CF8 . . . . .	136	149. SATA connectors on the SAN Volume Controller 2145-8A4 system board . . . . .	159
124. Boot-disk SAS cable routed through the blue bulkhead clip and connected to the SAS disk controller in the SAN Volume Controller 2145-CG8 or 2145-CF8 . . . . .	137	150. Power P5 connector on the SAN Volume Controller 2145-8A4 power supply . . . . .	160
125. Raising the SAN Volume Controller 2145-CF8 or 2145-CG8 locking levers of the slide rails of the rack . . . . .	138	151. The retention clip for the SAN Volume Controller 2145-8A4 power-supply cables . . . . .	160
126. Air deflector for the SAN Volume Controller 2145-8A4 power supply . . . . .	138	152. The SAN Volume Controller 2145-8A4 power-supply . . . . .	161
127. SAN Volume Controller 2145-8A4 power supply connectors . . . . .	139	153. SAN Volume Controller 2145-8G4 power supply . . . . .	161
128. SAN Volume Controller 2145-8A4 SATA cables . . . . .	140	154. Removing the SAN Volume Controller 2145-8F2 power supply . . . . .	162
129. The SAN Volume Controller 2145-8G4 SATA disk drive and backplane . . . . .	141	155. SAN Volume Controller 2145-CG8 or 2145-CF8 power supply . . . . .	165
130. The SAN Volume Controller 2145-8G4 disk-drive backplane connectors . . . . .	141	156. SAN Volume Controller 2145-CG8 or 2145-CF8 ac, dc, and power-error LEDs . . . . .	166
131. Location of the SAN Volume Controller 2145-CG8 or 2145-CF8 CMOS battery holder . . . . .	143	157. Air deflector for the SAN Volume Controller 2145-8A4 power supply . . . . .	166
132. SAN Volume Controller 2145-CG8 or 2145-CF8 CMOS battery holder . . . . .	143	158. SATA connectors on the SAN Volume Controller 2145-8A4 system board . . . . .	167
133. Locating the SAN Volume Controller 2145-8A4 CMOS battery . . . . .	145	159. The retention clip for the SAN Volume Controller 2145-8A4 power-supply cables . . . . .	168
134. Removing the SAN Volume Controller 2145-8A4 CMOS battery . . . . .	145	160. SAN Volume Controller 2145-8G4 power supply . . . . .	169
135. Location of the SAN Volume Controller 2145-8G4 CMOS battery holder . . . . .	146	161. SAN Volume Controller 2145-8G4 ac and dc LEDs . . . . .	170
136. SAN Volume Controller 2145-8G4 CMOS battery holder . . . . .	146	162. SAN Volume Controller 2145-8F2 power supply . . . . .	170
137. Location of the CMOS battery on the SAN Volume Controller 2145-8F2 or the SAN Volume Controller 2145-8F4 . . . . .	147	163. SAN Volume Controller 2145-8F2 or SAN Volume Controller 2145-8F4 ac and dc power LEDs . . . . .	171
138. SAN Volume Controller 2145-8F2 or the SAN Volume Controller 2145-8F4 CMOS battery holder . . . . .	148	164. SAN Volume Controller 2145-8G4 power backplane. . . . .	172
139. Location of the SAN Volume Controller 2145-CG8 or 2145-CF8 CMOS battery holder . . . . .	149	165. SAN Volume Controller 2145-8F4 or SAN Volume Controller 2145-8F2 power backplane. . . . .	173
140. SAN Volume Controller 2145-CG8 or 2145-CF8 CMOS battery holder . . . . .	150	166. SAN Volume Controller 2145-8G4 power backplane. . . . .	174
141. Raising the SAN Volume Controller 2145-CF8 or 2145-CG8 locking levers of the slide rails of the rack . . . . .	150	167. Replacing the SAN Volume Controller 2145-8F4 or SAN Volume Controller 2145-8F2 power backplane . . . . .	175
142. Locating the SAN Volume Controller 2145-8A4 CMOS battery . . . . .	151	168. SFP transceiver . . . . .	178
143. Installing the SAN Volume Controller 2145-8A4 CMOS battery . . . . .	152	169. Connectors on the rear of the SAN Volume Controller 2145-CG8 or 2145-CF8 . . . . .	179
144. Location of the SAN Volume Controller 2145-8G4 CMOS battery holder . . . . .	153	170. The SAN Volume Controller 2145-CG8 or 2145-CF8 Fibre Channel adapter . . . . .	180
145. SAN Volume Controller 2145-8G4 CMOS battery holder . . . . .	153	171. Removing the Fibre Channel riser-card assembly for the SAN Volume Controller 2145-CG8 or 2145-CF8 . . . . .	180
146. Location of the CMOS battery on the SAN Volume Controller 2145-8F2 or the SAN Volume Controller 2145-8F4 . . . . .	154	172. SAN Volume Controller 2145-8A4 riser-card assembly . . . . .	181
147. CMOS battery socket . . . . .	155	173. SFP transceiver . . . . .	181
		174. The physical port numbers for the SAN Volume Controller 2145-8G4 . . . . .	182
		175. Removing the riser-card assembly from the SAN Volume Controller 2145-8G4. . . . .	182
		176. Rear view of the SAN Volume Controller 2145-8F2 with Fibre Channel ports indicated . . . . .	183
		177. Rear view of the SAN Volume Controller 2145-8F4 . . . . .	183

178. SAN Volume Controller 2145-8F2 or SAN Volume Controller 2145-8F4 PCI slot 1 card retainer . . . . .	184	201. High-speed SAS adapter assembly and high-speed SAS cable in the SAN Volume Controller 2145-CG8 or 2145-CF8 . . . . .	205
179. SAN Volume Controller 2145-8F2 riser card and low profile adapter . . . . .	184	202. Boot-disk SAS cable and the high-speed SAS cable connected to the disk backplane in the SAN Volume Controller 2145-CG8 or 2145-CF8 . . . . .	206
180. SAN Volume Controller 2145-8F2 or SAN Volume Controller 2145-8F4 slot 2 adapter . . . . .	185	203. Boot-disk SAS cable routed through the blue bulkhead clip and connected to the SAS disk controller in the SAN Volume Controller 2145-CG8 or 2145-CF8 . . . . .	207
181. Replacing the Fibre Channel riser-card assembly for the SAN Volume Controller 2145-CG8 or 2145-CF8 . . . . .	186	204. USB riser-card assembly (SAN Volume Controller 2145-CF8 shown). . . . .	209
182. The SAN Volume Controller 2145-CG8 or 2145-CF8 Fibre Channel adapter . . . . .	186	205. Disengaging the disk-controller front-retention bracket and removing the riser assembly and disk controller . . . . .	209
183. SAN Volume Controller 2145-8A4 riser-card assembly . . . . .	187	206. Engaging the disk-controller front-retention bracket and replacing the riser assembly and disk controller . . . . .	211
184. Replacing the riser-card assembly for the SAN Volume Controller 2145-8G4. . . . .	188	207. USB riser-card assembly (SAN Volume Controller 2145-CF8 shown). . . . .	212
185. SAN Volume Controller 2145-8F2 or SAN Volume Controller 2145-8F4 PCI slot 1 card retainer . . . . .	189	208. USB service-controller cable connected to the disk controller and USB riser card (SAN Volume Controller 2145-CF8 shown). . . . .	212
186. Connectors on the rear of the SAN Volume Controller 2145-CG8 . . . . .	190	209. Boot-disk SAS cable and the high-speed SAS cable connected to the disk backplane in the SAN Volume Controller 2145-CG8 or 2145-CF8 . . . . .	213
187. SFP transceiver . . . . .	191	210. Boot-disk SAS cable routed through the blue bulkhead clip and connected to the SAS disk controller in the SAN Volume Controller 2145-CG8 or 2145-CF8 . . . . .	214
188. Connectors on the rear of the SAN Volume Controller 2145-CG8 . . . . .	192	211. Using the release tab to remove the SAN Volume Controller 2145-CG8 or 2145-CF8 operator-information panel . . . . .	217
189. SAN Volume Controller 2145-CG8 10 Gbps Ethernet riser-card assembly with cutaway view of back rail . . . . .	193	212. SAN Volume Controller 2145-8A4 operator-information panel . . . . .	218
190. Removing the 10 Gbps Ethernet riser-card assembly . . . . .	193	213. SAN Volume Controller 2145-8G4 dummy CD/DVD drive . . . . .	219
191. Connectors on the rear of the SAN Volume Controller 2145-CG8 . . . . .	194	214. Removing the CD interposer card. . . . .	219
192. Replacing the 10 Gbps Ethernet riser-card assembly for the SAN Volume Controller 2145-CG8 . . . . .	195	215. SAN Volume Controller 2145-8G4 fan 3 . . . . .	220
193. SAN Volume Controller 2145-CG8 10 Gbps Ethernet riser-card assembly with cutaway view of back rail . . . . .	196	216. SAN Volume Controller 2145-8G4 air baffle . . . . .	221
194. High-speed SAS adapter assembly mounted in the back rail of the SAN Volume Controller 2145-CG8 or 2145-CF8 . . . . .	198	217. SAN Volume Controller 2145-8G4 video, USB, and the CD/DVD cables. . . . .	222
195. Removing the high-speed SAS riser-card assembly for the SAN Volume Controller 2145-CG8 or 2145-CF8 . . . . .	198	218. SAN Volume Controller 2145-8G4 operator-information panel . . . . .	223
196. Replacing the high-speed SAS riser-card assembly for the SAN Volume Controller 2145-CG8 or 2145-CF8 . . . . .	200	219. Removing the SAN Volume Controller 2145-8G4 operator-information panel. . . . .	223
197. High-speed SAS adapter assembly mounted in the back rail of the SAN Volume Controller 2145-CG8 or 2145-CF8 . . . . .	200	220. SAN Volume Controller 2145-8F4 operator-information panel . . . . .	224
198. High-speed SAS adapter assembly and high-speed SAS cable in the SAN Volume Controller 2145-CG8 or 2145-CF8 . . . . .	202	221. SAN Volume Controller 2145-8F2 with exposed operator-information panel . . . . .	224
199. Boot-disk SAS cable routed through the blue bulkhead clip and connected to the SAS disk controller in the SAN Volume Controller 2145-CG8 or 2145-CF8 . . . . .	203	222. Replacing the SAN Volume Controller 2145-CG8 or 2145-CF8 operator-information panel . . . . .	225
200. Boot-disk SAS cable and the high-speed SAS cable connected to the disk backplane in the SAN Volume Controller 2145-CG8 or 2145-CF8 . . . . .	204	223. Connecting the SAN Volume Controller 2145-CG8 or 2145-CF8 operator-information panel cable . . . . .	226
		224. Raising the SAN Volume Controller 2145-CF8 or 2145-CG8 locking levers of the slide rails of the rack . . . . .	227

225. SAN Volume Controller 2145-8A4 operator-information panel . . . . .	227	252. Aligning the microprocessor installation tool	254
226. SAN Volume Controller 2145-8G4 operator-information panel . . . . .	228	253. Lifting the microprocessor out of the microprocessor bracket frame . . . . .	254
227. SAN Volume Controller 2145-8G4 video, USB, and the CD/DVD cables . . . . .	229	254. SAN Volume Controller 2145-8A4 air baffle and heat-exchanger assembly . . . . .	255
228. SAN Volume Controller 2145-8G4 air baffle	230	255. The SAN Volume Controller 2145-8A4 microprocessor bracket frame fully opened . . . . .	256
229. SAN Volume Controller 2145-8G4 fan 3	231	256. Removing the heat sink from the microprocessor . . . . .	257
230. SAN Volume Controller 2145-8G4 dummy CD/DVD drive . . . . .	231	257. The microprocessor release lever and bracket frame fully opened. . . . .	257
231. Replacing the operator-information panel	232	258. Location of the microprocessor and VRM sockets. . . . .	258
232. Disconnecting the SAN Volume Controller 2145-CG8 or 2145-CF8 operator-information panel cable . . . . .	234	259. Opening the SAN Volume Controller 2145-CG8 or 2145-CF8 microprocessor-bracket frame . . . . .	260
233. SAN Volume Controller 2145-8A4 operator-information panel . . . . .	235	260. Removing the plastic protective cover from a microprocessor . . . . .	261
234. Connectors for the operator-information panel on the SAN Volume Controller 2145-8A4 system board . . . . .	235	261. Inserting the microprocessor into the socket	261
235. Connecting the SAN Volume Controller 2145-CG8 or 2145-CF8 operator-information panel cable . . . . .	237	262. Closing the SAN Volume Controller 2145-CG8 or 2145-CF8 microprocessor-bracket frame . . . . .	262
236. Raising the SAN Volume Controller 2145-CF8 or 2145-CG8 locking levers of the slide rails of the rack . . . . .	238	263. Applying thermal grease to the SAN Volume Controller 2145-CG8 or 2145-CF8 microprocessor . . . . .	263
237. Connectors for the operator-information panel on the SAN Volume Controller 2145-8A4 system board . . . . .	238	264. Installing the heat sink on the SAN Volume Controller 2145-CG8 or 2145-CF8 microprocessor . . . . .	263
238. SAN Volume Controller 2145-CG8 or 2145-CF8 fan locations and connectors . . . . .	240	265. Raising the SAN Volume Controller 2145-CF8 or 2145-CG8 locking levers of the slide rails of the rack . . . . .	264
239. Removing or replacing a fan in the SAN Volume Controller 2145-CG8 or 2145-CF8 node . . . . .	241	266. SAN Volume Controller 2145-8A4 microprocessor . . . . .	265
240. Connectors for the SAN Volume Controller 2145-8A4 heat exchange fans . . . . .	242	267. Complete set of nine thermal grease dots on the SAN Volume Controller 2145-8A4 microprocessor . . . . .	266
241. SAN Volume Controller 2145-8G4 fan doors, locations, and connectors . . . . .	243	268. Alignment pins on the SAN Volume Controller 2145-8A4 heat-exchanger assembly . . . . .	266
242. SAN Volume Controller 2145-8F2 with the access doors open . . . . .	244	269. Aligning the microprocessor with the socket	268
243. SAN Volume Controller 2145-8F2 fan locations . . . . .	244	270. Installing the heat sink . . . . .	268
244. SAN Volume Controller 2145-CG8 or 2145-CF8 fan locations and connectors . . . . .	245	271. Microprocessor locking lever in open position	269
245. Removing or replacing a fan in the SAN Volume Controller 2145-CG8 or 2145-CF8 node . . . . .	246	272. Microprocessor and heat sink locations	270
246. Raising the SAN Volume Controller 2145-CF8 or 2145-CG8 locking levers of the slide rails of the rack . . . . .	247	273. Location of the microprocessor and VRM sockets. . . . .	271
247. A close up of the SAN Volume Controller 2145-8A4 fan. . . . .	248	274. Removing and replacing the SAN Volume Controller 2145-CG8 or 2145-CF8 system board . . . . .	274
248. Routing the SAN Volume Controller 2145-8A4 fan cable . . . . .	248	275. Connectors that are used on the SAN Volume Controller 2145-8A4 system board . . . . .	276
249. SAN Volume Controller 2145-8G4 fan doors, locations, and connectors . . . . .	249	276. SAN Volume Controller 2145-8A4 SATA cable connectors . . . . .	277
250. Removing the heat sink from the SAN Volume Controller 2145-CG8 or 2145-CF8 microprocessor . . . . .	252	277. SAN Volume Controller 2145-8A4 power supply connectors . . . . .	277
251. Opening the SAN Volume Controller 2145-CG8 or 2145-CF8 microprocessor-bracket frame . . . . .	253	278. The IDE connector on the SAN Volume Controller 2145-8A4 system board . . . . .	278
		279. Connectors for the SAN Volume Controller 2145-8A4 heat exchange fans . . . . .	279
		280. SAN Volume Controller 2145-8A4 system board and microprocessor retention module . . . . .	280
		281. Connectors on the SAN Volume Controller 2145-8G4 system board . . . . .	282

282. Left air baffle on the SAN Volume Controller 2145-8G4 . . . . .	282	303. Connectors on the SAN Volume Controller 2145-8G4 system board . . . . .	301
283. Connectors on the right front side of the SAN Volume Controller 2145-8G4 system board . . . . .	283	304. Attaching the mounting plates . . . . .	304
284. Disk power cable connector and power backplane on the SAN Volume Controller 2145-8G4 system board . . . . .	284	305. Power cable clips . . . . .	305
285. Right air baffle on the SAN Volume Controller 2145-8G4 system board . . . . .	284	306. 2145 UPS-1U power cable-retention bracket hardware . . . . .	306
286. Removing thermal grease from the SAN Volume Controller 2145-8G4 microprocessor . . . . .	285	307. 2145 UPS-1U power cable-retention bracket	306
287. Serial and video ports on the SAN Volume Controller 2145-8G4 . . . . .	286	308. 2145 UPS-1U power cable-retention bracket	307
288. The placement of the screws that secure the SAN Volume Controller 2145-8G4 system board . . . . .	286	309. The 2145 UPS-1U front-panel assembly	308
289. SAN Volume Controller 2145-8G4 system board . . . . .	287	310. 2145 UPS-1U (rear view) . . . . .	308
290. Setting jumpers on the system board . . . . .	289	311. Removing the 2145 UPS-1U front panel	309
291. Removing and replacing the SAN Volume Controller 2145-CG8 or 2145-CF8 system board . . . . .	290	312. The 2145 UPS-1U internal-battery connector	309
292. Raising the SAN Volume Controller 2145-CF8 or 2145-CG8 locking levers of the slide rails of the rack . . . . .	291	313. The 2145 UPS-1U internal battery connector with protective tape . . . . .	310
293. The SAN Volume Controller 2145-8A4 microprocessor bracket frame fully opened . . . . .	292	314. Mounting screws for the 2145 UPS-1U	310
294. SAN Volume Controller 2145-8G4 system board . . . . .	295	315. Installing the support rails for a 2145 UPS-1U into the rack . . . . .	311
295. The placement of the screws that secure the SAN Volume Controller 2145-8G4 system board . . . . .	296	316. Mounting screws for the 2145 UPS-1U	312
296. Serial and video ports on the SAN Volume Controller 2145-8G4 . . . . .	296	317. Removing the 2145 UPS-1U front panel	312
297. Installing the microprocessor . . . . .	297	318. The 2145 UPS-1U internal battery connector with protective tape . . . . .	313
298. Estimating the position of the thermal grease dots. . . . .	298	319. The 2145 UPS-1U with internal battery connectors in place. . . . .	313
299. Complete set of nine thermal grease dots on the microprocessor. . . . .	298	320. The 2145 UPS-1U cable retention bracket connected to the 2145 UPS-1U . . . . .	314
300. Right air baffle on the SAN Volume Controller 2145-8G4 system board . . . . .	299	321. 2145 UPS-1U (rear view) . . . . .	314
301. Connectors on the right front side of the SAN Volume Controller 2145-8G4 system board . . . . .	300	322. 2145 UPS-1U front-panel assembly . . . . .	314
302. Left air baffle on the SAN Volume Controller 2145-8G4 . . . . .	301	323. Removing the front screws from the 2145 UPS-1U . . . . .	315
		324. Removing the front rail on the 2145 UPS-1U	315
		325. Removing the rear rail on the 2145 UPS-1U	316
		326. Installing the support rails for a 2145 UPS-1U into the rack . . . . .	316
		327. Adjusting the rail depth on the 2145 UPS-1U	317
		328. Securing the rear rail on the 2145 UPS-1U	317
		329. Securing the front rail on the 2145 UPS-1U	318
		330. Front and back panels for the 2145 UPS-1U	319
		331. Removing the 2145 UPS-1U front panel	320
		332. The 2145 UPS-1U internal battery connector with protective tape . . . . .	320
		333. Removing the 2145 UPS-1U battery . . . . .	321
		334. Replacing the 2145 UPS-1U battery . . . . .	322
		335. The 2145 UPS-1U internal-battery connector	322
		336. Replacing the 2145 UPS-1U front panel	323

---

## Tables

1.	SAN Volume Controller library . . . . .	xxiv	14.	FRU part numbers that are unique for the SAN Volume Controller 2145-8G4 Rev 2 version . . . . .	14
2.	Other IBM publications . . . . .	xxvi	15.	FRUs in the SAN Volume Controller 2145-8G4 parts assembly . . . . .	14
3.	IBM documentation and related websites . . . . .	xxvi	16.	FRUs that are not referenced by SAN Volume Controller 2145-8G4 service procedures . . . . .	15
4.	FRUs in the SAN Volume Controller 2145-CG8 parts assembly . . . . .	3	17.	SAN Volume Controller 2145-8F4 frame assembly . . . . .	16
5.	FRUs to which SAN Volume Controller 2145-CG8 service procedures do not refer . . . . .	5	18.	Items not included in the SAN Volume Controller 2145-8F4 frame assembly . . . . .	17
6.	FRUs in the SAN Volume Controller 2145-CF8 parts assembly . . . . .	7	19.	SAN Volume Controller 2145-8F2 frame assembly . . . . .	18
7.	FRUs to which SAN Volume Controller 2145-CF8 service procedures do not refer . . . . .	9	20.	Items not included in the SAN Volume Controller 2145-8F2 frame assembly . . . . .	19
8.	FRU parts for the solid-state drive (SSD) features . . . . .	9	21.	Redundant ac-power switch . . . . .	20
9.	FRU parts for the long-wave small form-factor pluggable (SFP) transceiver feature . . . . .	9	22.	2145 UPS-1U part numbers . . . . .	21
10.	FRUs that are exchanged within SAN Volume Controller 2145-8A4 service procedures . . . . .	11	23.	Cable-management arm and associated parts descriptions and quantities . . . . .	27
11.	FRUs that are not exchanged within SAN Volume Controller 2145-8A4 service procedures . . . . .	12	24.	Instructions for removing the SFP transceiver . . . . .	177
12.	Distinctive characteristics of the SAN Volume Controller 2145-8G4 versions . . . . .	13			
13.	FRU part numbers that are unique for the SAN Volume Controller 2145-8G4 Rev 1 version . . . . .	14			



---

## Safety and environmental notices

Review the multilingual safety notices for the IBM® Systems Storage SAN Volume Controller, redundant ac-power switch, and the uninterruptible power supply before you install and use the product.

**Suitability for telecommunication environment:** This product is not intended to connect directly or indirectly by any means whatsoever to interfaces of public telecommunications networks.

To find the translated text for a caution or danger notice:

1. Look for the identification number at the end of each caution notice or each danger notice. In the following examples, the numbers (C001) and (D002) are the identification numbers.

**CAUTION:**

**A caution notice indicates the presence of a hazard that has the potential of causing moderate or minor personal injury. (C001)**

**DANGER**

<p><b>A danger notice indicates the presence of a hazard that has the potential of causing death or serious personal injury. (D002)</b></p>
---

2. Locate *IBM System Storage SAN Volume Controller Safety Notices* with the user publications that were provided with the SAN Volume Controller hardware.
3. Find the matching identification number in the *IBM System Storage SAN Volume Controller Safety Notices*. Then review the topics concerning the safety notices to ensure that you are in compliance.
4. Optionally, read the multilingual safety instructions on the SAN Volume Controller website. Go to the Support for SAN Volume Controller (2145) website at [www.ibm.com/storage/support/2145](http://www.ibm.com/storage/support/2145) and click the documentation link.

---

## General safety

When you service the SAN Volume Controller, redundant ac-power switch, or the uninterruptible power supply, follow general safety guidelines.

Use the following general rules to ensure safety to yourself and others:

- Observe good housekeeping in the area where the devices are kept during and after maintenance.
- Follow the guidelines when lifting any heavy object:
  1. Ensure that you can stand safely without slipping.
  2. Distribute the weight of the object equally between your feet.
  3. Use a slow lifting force. Never move suddenly or twist when you attempt to lift.
  4. Lift by standing or by pushing up with your leg muscles; this action removes the strain from the muscles in your back. *Do not attempt to lift any objects that weigh more than 18 kg (40 lb) or objects that you think are too heavy for you.*
- Do not perform any action that causes a hazard to the customer, or that makes the equipment unsafe.
- Before you start the device, ensure that other service representatives and customer's personnel are not in a hazardous position.
- Place removed covers and other parts in a safe place, away from all personnel, while you are servicing the unit.
- Keep your tool case away from walk areas so that other people will not trip over it.
- Do not wear loose clothing that can be trapped in the moving parts of a device. Ensure that your sleeves are fastened or rolled up above your elbows. If your hair is long, fasten it.

- Insert the ends of your necktie or scarf inside clothing or fasten it with a nonconducting clip, approximately 8 cm (3 in.) from the end.
- Do not wear jewelry, chains, metal-frame eyeglasses, or metal fasteners for your clothing.

**Remember:** Metal objects are good electrical conductors.

- Wear safety glasses when you are: hammering, drilling, soldering, cutting wire, attaching springs, using solvents, or working in any other conditions that might be hazardous to your eyes.
- After service, reinstall all safety shields, guards, labels, and ground wires. Replace any safety device that is worn or defective.
- Reinstall all covers correctly after you have finished servicing the unit.



## Electrical safety

Observe these rules when working on electrical equipment.

### DANGER

When working on or around the system, observe the following precautions:

Electrical voltage and current from power, telephone, and communication cables are hazardous. To avoid a shock hazard:

- Connect power to this unit only with the IBM provided power cord. Do not use the IBM provided power cord for any other product.
- Do not open or service any power supply assembly.
- Do not connect or disconnect any cables or perform installation, maintenance, or reconfiguration of this product during an electrical storm.
- The product might be equipped with multiple power cords. To remove all hazardous voltages, disconnect all power cords.
- Connect all power cords to a properly wired and grounded electrical outlet. Ensure that the outlet supplies proper voltage and phase rotation according to the system rating plate.
- Connect any equipment that will be attached to this product to properly wired outlets.
- When possible, use one hand only to connect or disconnect signal cables.
- Never turn on any equipment when there is evidence of fire, water, or structural damage.
- Disconnect the attached power cords, telecommunications systems, networks, and modems before you open the device covers, unless instructed otherwise in the installation and configuration procedures.
- Connect and disconnect cables as described in the following procedures when installing, moving, or opening covers on this product or attached devices.

To disconnect:

1. Turn off everything (unless instructed otherwise).
2. Remove the power cords from the outlets.
3. Remove the signal cables from the connectors.
4. Remove all cables from the devices.

To connect:

1. Turn off everything (unless instructed otherwise).
  2. Attach all cables to the devices.
  3. Attach the signal cables to the connectors.
  4. Attach the power cords to the outlets.
  5. Turn on the devices.
- Sharp edges, corners and joints may be present in and around the system. Use care when handling equipment to avoid cuts, scrapes and pinching.

(D005)

**Important:** Use only approved tools and test equipment. Some hand tools have handles covered with a soft material that does not insulate you when working with live electrical currents. Many customers have, near their equipment, rubber floor mats that contain small conductive fibers to decrease electrostatic discharges. Do not use this type of mat to protect yourself from electrical shock.

- Find the room emergency power-off (EPO) switch, disconnecting switch, or electrical outlet. If an electrical accident occurs, you can then operate the switch or unplug the power cord quickly.
- Do not work alone under hazardous conditions or near equipment that has hazardous voltages.

- Disconnect all power before the following activities:
  - Performing a mechanical inspection
  - Working near power supplies
  - Removing or installing main units
- Before you start to work on the unit, unplug the power cord. If you cannot unplug it, ask the customer to power off the wall box that supplies power to the device and to lock the wall box in the off position.
- If you need to work on a device that has exposed electrical circuits, observe the following precautions:
  - Ensure that another person, familiar with the power-off controls, is near you.

**Remember:** Another person must be there to switch off the power, if necessary.

- Use only one hand when working with electrical equipment that has the power turned on; keep the other hand in your pocket or behind your back.

**Remember:** There must be a complete circuit to cause electrical shock. By observing the previous rule, you might prevent a current from passing through your body.

- When using testers, set the controls correctly and use the approved probe leads and accessories for that tester.
- Stand on suitable rubber mats (obtained locally, if necessary) to insulate you from grounds such as metal floor strips and machine frames.

Observe the special safety precautions when you work with very high voltages; these instructions are in the safety sections of maintenance information. Use extreme care when measuring high voltages.

- Regularly inspect and maintain your electrical hand tools for safe operational condition.
- Do not use worn or broken tools and testers.
- *Never assume* that power has been disconnected from a circuit. First, *check* that power has been powered off.
- Always look carefully for possible hazards in your work area. Examples of these hazards are moist floors, nongrounded power extension cables, power surges, and missing safety grounds.
- Do not touch live electrical circuits with the reflective surface of a plastic dental mirror. The surface is conductive; such touching can cause personal injury and device damage.
- Do not service the following parts with the power on when they are removed from their normal operating places in a device. (This practice ensures correct grounding of the units.)
  - Power supply units
  - Pumps
  - Blowers and fans
  - Motor generators
  - And similar units
- If an electrical accident occurs:
  - Use caution; do not become a victim yourself.
  - Switch off power.
  - Send another person to get medical aid.

---

## Inspecting the SAN Volume Controller for unsafe conditions

Use caution when working in any potential safety hazardous situation that is not covered in the safety checks. If unsafe conditions are present, determine how serious the hazards are and whether you can continue before you correct the problem.

Before you start the safety inspection, make sure that the power is off, and that the power cord is disconnected.

Each device has required safety items installed to protect users and IBM service personnel from injury. This guide addresses only those items.

**Important:** Good judgment must also be used to identify potential safety hazards due to the attachment of non-IBM features or options not covered by this inspection guide.

If any unsafe conditions are present, you must determine how serious the apparent hazard could be and whether you can continue without first correcting the problem. For example, consider the following conditions and their potential safety hazards:

**Electrical hazards (especially primary power)**

Primary voltage on the frame can cause serious or lethal electrical shock.

**Explosive hazards**

A damaged CRT face or a bulging capacitor can cause serious injury.

**Mechanical hazards**

Loose or missing items (for example, nuts and screws) can cause serious injury.

To inspect each SAN Volume Controller node for unsafe conditions, perform the following steps. If necessary, see any suitable safety publications.

1. Turn off SAN Volume Controller and disconnect the power cord.
2. Check the frame for damage (loose, broken, or sharp edges).
3. Check the power cables using the following steps:
  - a. Ensure that the third-wire ground connector is in good condition. Use a meter to check that the third-wire ground continuity is 0.1 ohm or less between the external ground pin and the frame ground.
  - b. Ensure that the power cord is the appropriate type, as specified in the parts listings.
  - c. Ensure that the insulation is not worn or damaged.
4. Check for any obvious nonstandard changes, both inside and outside the unit. Use good judgment about the safety of any such changes.
5. Check inside SAN Volume Controller for any obvious unsafe conditions, such as metal particles, contamination, water or other fluids, or marks of overheating, fire, or smoke damage.
6. Check for worn, damaged, or pinched cables.
7. Ensure that the voltage that is specified on the product-information label matches the specified voltage of the electrical power outlet. If necessary, verify the voltage.
8. Inspect the power-supply assemblies and check that the fasteners (screws or rivets) in the cover of the power-supply unit have not been removed or disturbed.
9. Before connecting SAN Volume Controller to the storage area network (SAN), check the grounding.

## External device check

Ensure that you perform an external device check before you install or service the SAN Volume Controller.

To conduct an external device check, perform the following steps:

1. Verify that all external covers are present and are not damaged.
2. Ensure that all latches and hinges are in the correct operating condition.
3. If SAN Volume Controller is not installed in a rack cabinet, check for loose or broken feet.
4. Check the power cord for damage.
5. Check the external signal cable for damage.
6. Check the cover for sharp edges, damage, or alterations that expose the internal parts of the device.
7. Correct any problems that you find.

## Internal device checks

Ensure that you perform an internal device check before you install or service SAN Volume Controller.

To conduct the internal device check, perform the following steps:

1. Check for any non-IBM changes that might have been made to the device. If any are present, obtain the “Non-IBM Alteration Attachment Survey,” form number R009, from the IBM branch office. Complete the form and return it to the branch office.
2. Check the condition of the inside of the device for any metal or other contaminants, or any indications of water, other fluid, fire, or smoke damage.
3. Check for any obvious mechanical problems, such as loose components.
4. Check any exposed cables and connectors for wear, cracks, or pinching.

---

## Checking the grounding of SAN Volume Controller, the uninterruptible power supply, and the redundant ac-power switch

Ensure that you understand how to check the grounding of a SAN Volume Controller, the uninterruptible power supply, and the optional redundant ac-power switch feature.

To test the grounding of a SAN Volume Controller node, perform the following steps. Follow the steps for the SAN Volume Controller configuration that you are using. Before you start, confirm that you know the SAN Volume Controller model type, the uninterruptible power-supply type, and whether you are using redundant ac power. Determine the location of the signal cables that are attached to the SAN Volume Controller.

When you are asked to test the grounding continuity, use your local procedures to perform the test. The test is successful if the measured resistance is 0.1 ohm or less.

**Attention:** Some electrical circuits can be damaged if the external signal cables are present at the SAN Volume Controller while it is undergoing a grounding test.

1. Ensure that the SAN Volume Controller node is powered off. See MAP 5350: Powering off a SAN Volume Controller node in the *IBM System Storage SAN Volume Controller Troubleshooting Guide*.
2. If the uninterruptible power supply is a 2145 UPS, ensure that other SAN Volume Controller nodes that are powered from the uninterruptible power supply are powered off.
3. Use the power button to power off the uninterruptible power supply.
4. Disconnect all signal cables from the SAN Volume Controller node, which includes the following cables:
  - The Fibre Channel cables
  - The Ethernet cable or cables
  - The serial cable that is connected to the uninterruptible power supply
5. Disconnect all signal cables from the uninterruptible power supply. If the uninterruptible power supply is a 2145 UPS, there might be multiple signal cables.
6. If the uninterruptible power supply is a 2145 UPS, disconnect any power cables that are connected to SAN Volume Controller nodes, except the one that is being tested.
7. If redundant ac power is not used, disconnect the uninterruptible power-supply power cable from the site power-distribution unit.
8. If redundant ac power is used, turn off any SAN Volume Controller that is being supplied from the redundant ac-power switch, and remove the power cable to this system from the redundant ac-power switch.
9. If redundant ac power is used, disconnect **both** input power leads from the site power distribution units.

10. If redundant ac power is not used, test the grounding continuity between a conductive area on the SAN Volume Controller frame and the ground pin on the plug of the uninterruptible power-supply input-power cable.
11. If redundant ac power is used, test the grounding continuity between a conductive area on the SAN Volume Controller frame and the ground pin on the plug of the main power cable of the redundant ac-power switch. If the test is successful, test the grounding continuity between a conductive area on the SAN Volume Controller frame and the ground pin on the plug of the backup power cable of the redundant ac-power switch. Both tests must be successful.
12. After you have completed testing the grounding continuity, perform one of the following procedures, depending on the outcome of the test.
  - If the test is successful, reconnect any cables that were removed, and power on any uninterruptible power-supply units and SAN Volume Controller nodes that were powered off.
  - If the test was not successful, ensure that all cables are securely connected. If the test still fails, test the individual system components. Before you test the individual components, remove all cables from the components. If any component test fails, replace the component. After each component has been tested and the failing ones have been replaced, repeat the complete system test by returning to step 1 on page xviii.

Test the components in the following order:

- a. The SAN Volume Controller node, from the frame to the ground pin of the input power receptacle
- b. The uninterruptible power supply from the ground pin of the input power receptacle to the ground conductor of the output power receptacle
- c. If used, the redundant ac-power switch from the ground pin of the main input power receptacle to the ground conductor of the output power receptacle, and from the ground pin of the backup input power receptacle to the ground conductor of the output power receptacle
- d. The SAN Volume Controller node to uninterruptible power-supply power-cable assembly, between the two ground conductors of the power cable
- e. The uninterruptible power-supply input-power cable, between the two ground conductors of the power cable
- f. If used, the redundant ac-power switch main input-power cable, between the two ground conductors of the cable
- g. If used, the redundant ac-power switch backup input-power cable, between the two ground conductors of the cable

---

## Inspecting the uninterruptible power supply for unsafe conditions

Ensure that you take the time to inspect the uninterruptible power supply for unsafe conditions.

Consider the following conditions and their potential safety hazards:

### **Electrical hazards (especially primary power)**

Primary voltage on the frame can cause serious or lethal electrical shock.

### **Explosive hazards**

A bulging capacitor can cause serious injury.

### **Mechanical hazards**

Loose or missing items (for example, nuts and screws) can cause serious injury.

Use caution when working in a potential safety hazard that is not covered in the safety checks. If unsafe conditions are present, determine how serious the hazards are and whether you can continue before you correct the problem.

Using the following inspection checklist as a guide, inspect the uninterruptible power supply for unsafe conditions. If necessary, see any suitable safety publications.

1. If any equipment has been damaged during the shipment, keep the shipping cartons and packing materials.
2. To file a claim for the shipping damage, perform the following steps:
  - a. File with the carrier within fifteen days of receipt of the equipment.
  - b. Send a copy of the damage claim within fifteen days to your service support representative.

---

## Uninterruptible power-supply requirements

Ensure that you comply with the requirements for the uninterruptible power supply.

The following list describes requirements for the 2145 UPS-1U:

- The voltage that is supplied to the 2145 UPS-1U must be 200-240 V single phase.
- The frequency that is supplied must be 50 or 60 Hz.

**Note:** The 2145 UPS-1U has an integrated circuit breaker and does not need external protection.

### Attention:

- If the uninterruptible power supply is cascaded from another uninterruptible power supply, the source uninterruptible power supply must have at least three times the capacity per phase and the total harmonic distortion must be less than 5%.
- The uninterruptible power supply also must have input voltage capture that has a slew rate of no more than 3 Hz per second.

---

## Emergency power-off shutdown

The SAN Volume Controller and each uninterruptible power supply support emergency power-off (EPO) shutdowns.

---

## Handling static-sensitive devices

Ensure that you understand how to handle devices that are sensitive to static electricity.

**Attention:** Static electricity can damage electronic devices and your system. To avoid damage, keep static-sensitive devices in their static-protective bags until you are ready to install them.

To reduce the possibility of electrostatic discharge, observe the following precautions:

- Limit your movement. Movement can cause static electricity to build up around you.
- Handle the device carefully, holding it by its edges or frame.
- Do not touch solder joints, pins, or exposed printed circuitry.
- Do not leave the device where others can handle and possibly damage the device.
- While the device is still in its antistatic bag, touch it to an unpainted metal part of the system unit for at least two seconds. (This action removes static electricity from the package and from your body.)
- Remove the device from its package and install it directly into your SAN Volume Controller, without putting it down. If it is necessary to put the device down, place it onto its static-protective bag. (If your device is an adapter, place it component-side up.) Do not place the device onto the cover of the SAN Volume Controller or onto a metal table.
- Take additional care when you handle devices during cold weather because heating reduces indoor humidity and increases static electricity.

---

## **Environmental notices and statements**

You must become familiar with the environmental notices and statements.

The following topics describe the environmental notices and statements that are applicable to this product.

### **Product recycling and disposal**

Ensure that you are aware of the materials that must be recycled. Before using this information and the product that it supports, read the *IBM Environmental Notices and User Guide* on the IBM Environmental Notices CD.





---

## About this guide

This guide describes how to service the IBM System Storage® SAN Volume Controller.

The chapter that follows shows you the parts assembly for each SAN Volume Controller model, the redundant ac-power switch, and the uninterruptible power supply.

You are also provided with step-by-step procedures to remove and replace parts for the SAN Volume Controller and the uninterruptible power supply.

**Note:** The *IBM System Storage SAN Volume Controller Hardware Maintenance Guide* and the *IBM System Storage SAN Volume Controller Troubleshooting Guide* were formerly combined in one book that was titled *IBM System Storage SAN Volume Controller Service Guide*.

---

## Who should use this guide

This guide is intended for the systems services representative who is responsible for the service of the SAN Volume Controller, the redundant ac-power switch, and the uninterruptible power supply.

---

## Summary of changes for GC27-2283-00, SAN Volume Controller Hardware Maintenance Guide

This summary of changes provides a list of new, modified, and changed information since the last version of the guide.

### New information

This version includes the following new information:

- SAN Volume Controller 2145-CG8
- iSCSI 10 Gbps Ethernet support

Technical changes or additions to the text and illustrations are indicated by a vertical line to the left of the change. This summary of changes describes new functions that have been added to this release.

### Changed information

The following updates were made in this document:

- The use of `svctask` and `svcinfo` command prefixes has changed.

The **svctask** and **svcinfo** command prefixes are no longer necessary when issuing a command. If you have existing scripts that use those prefixes, they will continue to function. You do not need to change the scripts.

This document also contains maintenance and editorial changes.

### Removed information

The following information was removed from this book:

- Support for the SAN Volume Controller 2145-4F2 node.

---

## Emphasis

Different typefaces are used in this guide to show emphasis.

The following typefaces are used to show emphasis:

<b>Boldface</b>	Text in <b>boldface</b> represents menu items.
<b>Bold monospace</b>	Text in <b>bold monospace</b> represents command names.
<i>Italics</i>	Text in <i>italics</i> is used to emphasize a word. In command syntax, it is used for variables for which you supply actual values, such as a default directory or the name of a system.
Monospace	Text in monospace identifies the data or commands that you type, samples of command output, examples of program code or messages from the system, or names of command flags, parameters, arguments, and name-value pairs.

---

## SAN Volume Controller library and related publications

Product manuals, other publications, and websites contain information that relates to SAN Volume Controller.

### SAN Volume Controller Information Center

The IBM System Storage SAN Volume Controller Information Center contains all of the information that is required to install, configure, and manage the SAN Volume Controller. The information center is updated between SAN Volume Controller product releases to provide the most current documentation. The information center is available at the following website:

[publib.boulder.ibm.com/infocenter/svc/ic/index.jsp](http://publib.boulder.ibm.com/infocenter/svc/ic/index.jsp)

### SAN Volume Controller library

Unless otherwise noted, the publications in the SAN Volume Controller library are available in Adobe portable document format (PDF) from the following website:

Support for SAN Volume Controller (2145) website at [www.ibm.com/storage/support/2145](http://www.ibm.com/storage/support/2145)

Each of the PDF publications in Table 1 is available from this Information Center by clicking the number in the "Order number" column:

Table 1. SAN Volume Controller library

Title	Description	Order number
<i>IBM System Storage SAN Volume Controller Model 2145-CG8 Hardware Installation Guide</i>	This guide provides the instructions that the IBM service representative uses to install the hardware for SAN Volume Controller model 2145-CG8.	GC27-3923
<i>IBM System Storage SAN Volume Controller Hardware Maintenance Guide</i>	This guide provides the instructions that the IBM service representative uses to service the SAN Volume Controller hardware, including the removal and replacement of parts.	GC27-2283

Table 1. SAN Volume Controller library (continued)

Title	Description	Order number
<i>IBM System Storage SAN Volume Controller Troubleshooting Guide</i>	This guide describes the features of each SAN Volume Controller model, explains how to use the front panel, and provides maintenance analysis procedures to help you diagnose and solve problems with the SAN Volume Controller.	GC27-2284
<i>IBM System Storage SAN Volume Controller Software Installation and Configuration Guide</i>	This guide provides guidelines for configuring your SAN Volume Controller. Instructions for backing up and restoring the cluster configuration, using and upgrading the management GUI, using the CLI, upgrading the SAN Volume Controller software, and replacing or adding nodes to a cluster are included.	GC27-2286
<i>IBM System Storage SAN Volume Controller CIM Agent Developer's Guide</i>	This guide describes the concepts of the Common Information Model (CIM) environment. Procedures describe such tasks as using the CIM agent object class instances to complete basic storage configuration tasks, establishing new Copy Services relationships, and performing CIM agent maintenance and diagnostic tasks.	GC27-2288
<i>IBM System Storage SAN Volume Controller Safety Notices</i>	This guide contains translated caution and danger statements. Each caution and danger statement in the SAN Volume Controller documentation has a number that you can use to locate the corresponding statement in your language in the <i>IBM System Storage SAN Volume Controller Safety Notices</i> document.	GA32-0844
<i>IBM System Storage SAN Volume Controller Read First Flyer</i>	This document introduces the major components of the SAN Volume Controller system and describes how to get started installing the hardware and software.	GA32-0843
<i>IBM System Storage SAN Volume Controller and IBM Storwize® V7000 Command-Line Interface User's Guide</i>	This guide describes the commands that you can use from the SAN Volume Controller command-line interface (CLI).	GC27-2287

Table 1. SAN Volume Controller library (continued)

Title	Description	Order number
<i>IBM Environmental Notices and User Guide</i>	This multilingual guide describes environmental policies to which IBM products adhere, as well as how to properly recycle and dispose of IBM products and the batteries within IBM hardware products. Notices within the guide describe flat panel displays, refrigeration, water cooling systems, and external power supplies.	Z125-5823
<i>IBM Statement of Limited Warranty</i>	This multilingual document provides information about the IBM warranty for the SAN Volume Controller product.	Part number: 85Y5978
<i>IBM License Agreement for Machine Code</i>	This multilingual guide contains the License Agreement for Machine Code for the SAN Volume Controller product.	Z125-5468

## Other IBM publications

Table 2 lists IBM publications that contain information related to the SAN Volume Controller.

Table 2. Other IBM publications

Title	Description	Order number
<i>IBM System Storage Productivity Center Introduction and Planning Guide</i>	This guide introduces the IBM System Storage Productivity Center hardware and software.	SC23-8824
<i>Read This First: Installing the IBM System Storage Productivity Center</i>	This guide describes how to install the IBM System Storage Productivity Center hardware.	GI11-8938
<i>IBM System Storage Productivity Center User's Guide</i>	This guide describes how to configure the IBM System Storage Productivity Center software.	SC27-2336
<i>IBM System Storage Multipath Subsystem Device Driver User's Guide</i>	This guide describes the IBM System Storage Multipath Subsystem Device Driver for IBM System Storage products and how to use it with the SAN Volume Controller.	GC52-1309

## IBM documentation and related websites

Table 3 lists websites that provide publications and other information about the SAN Volume Controller or related products or technologies.

Table 3. IBM documentation and related websites

Website	Address
Support for SAN Volume Controller (2145)	Support for SAN Volume Controller (2145) website at <a href="http://www.ibm.com/storage/support/2145">www.ibm.com/storage/support/2145</a>
Support for IBM System Storage and IBM TotalStorage products	<a href="http://www.ibm.com/storage/support/">www.ibm.com/storage/support/</a>

Table 3. IBM documentation and related websites (continued)

Website	Address
IBM Publications Center	<a href="http://www.ibm.com/e-business/linkweb/publications/servlet/pbi.wss">www.ibm.com/e-business/linkweb/publications/servlet/pbi.wss</a>
IBM Redbooks® publications	<a href="http://www.redbooks.ibm.com/">www.redbooks.ibm.com/</a>

## Related accessibility information

To view a PDF file, you need Adobe Acrobat Reader, which can be downloaded from the Adobe website:

[www.adobe.com/support/downloads/main.html](http://www.adobe.com/support/downloads/main.html)

## Related web sites

The following web sites provide information about SAN Volume Controller or related products or technologies:

Type of information	Web site
SAN Volume Controller support	Support for SAN Volume Controller (2145) website at <a href="http://www.ibm.com/storage/support/2145">www.ibm.com/storage/support/2145</a>
Technical support for IBM storage products	<a href="http://www.ibm.com/storage/support/">www.ibm.com/storage/support/</a>

## How to order IBM publications

The IBM Publications Center is a worldwide central repository for IBM product publications and marketing material.

The IBM Publications Center offers customized search functions to help you find the publications that you need. Some publications are available for you to view or download at no charge. You can also order publications. The publications center displays prices in your local currency. You can access the IBM Publications Center through the following website:

[www.ibm.com/e-business/linkweb/publications/servlet/pbi.wss](http://www.ibm.com/e-business/linkweb/publications/servlet/pbi.wss)

## Sending your comments

To submit any comments about this book or any other SAN Volume Controller documentation:

- Go to the feedback page on the website for the SAN Volume Controller Information Center at [publib.boulder.ibm.com/infocenter/svc/ic/index.jsp?topic=/com.ibm.storage.svc.console.doc/feedback.htm](http://publib.boulder.ibm.com/infocenter/svc/ic/index.jsp?topic=/com.ibm.storage.svc.console.doc/feedback.htm). There you can use the feedback page to enter and submit comments or browse to the topic and use the feedback link in the running footer of that page to identify the topic for which you have a comment.
- Send your comments by email to [starpubs@us.ibm.com](mailto:starpubs@us.ibm.com). Include the following information in your email:
  - Publication title
  - Publication form number
  - Page, table, or illustration numbers that you are commenting on
  - A detailed description of any information that should be changed



---

## Chapter 1. Parts listing

Part numbers are available for the different parts and field-replaceable units (FRUs) of the SAN Volume Controller nodes, the redundant ac-power switch, and the uninterruptible power-supply unit.

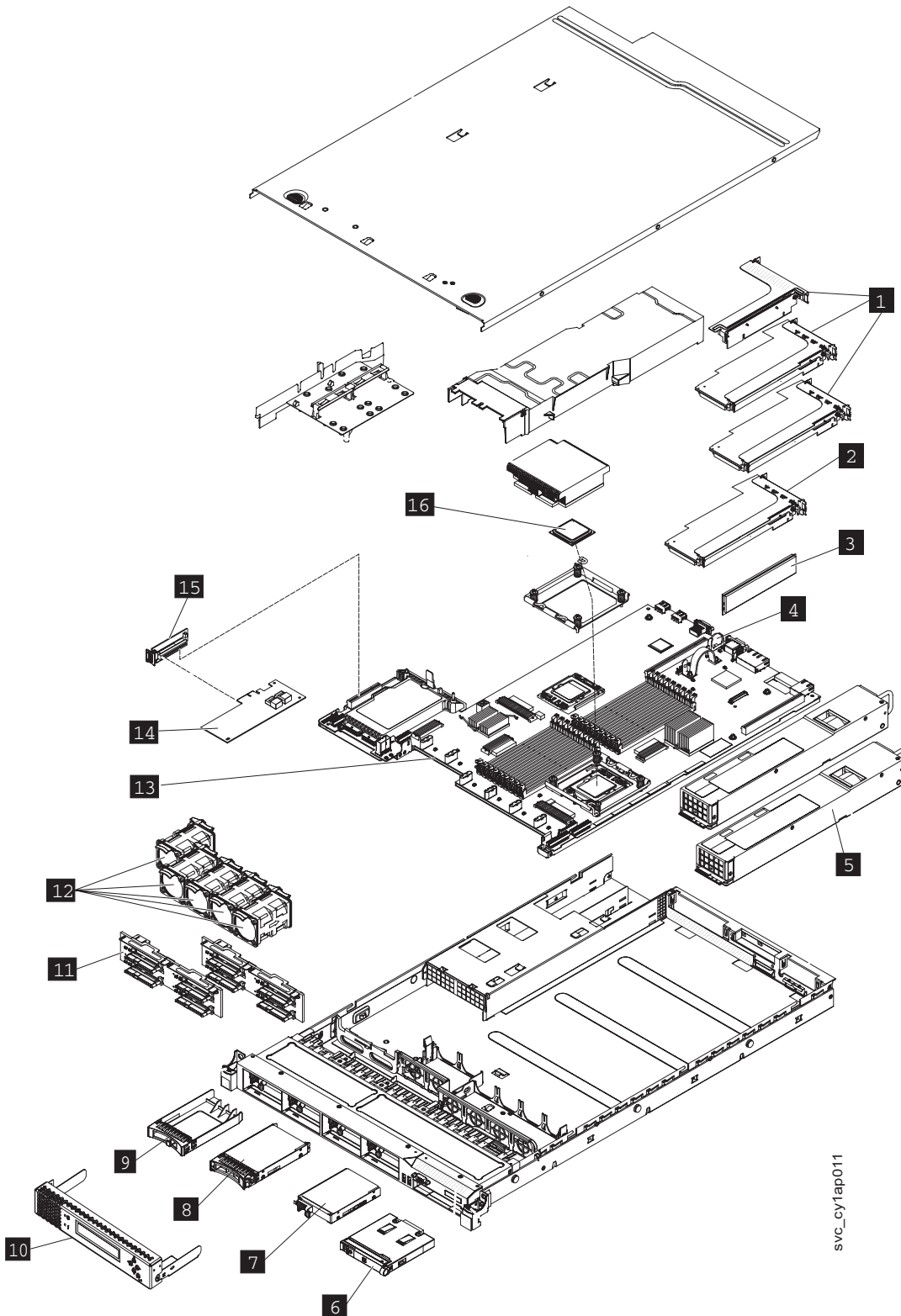
SAN Volume Controller supports several different node types. A label on the front of the node indicates the SAN Volume Controller node type, hardware revision (if appropriate), and serial number.

---

### **SAN Volume Controller 2145-CG8 parts**

| You might have to replace a SAN Volume Controller 2145-CG8 field-replaceable unit (FRU).

| Figure 1 on page 2 shows how the different parts of the SAN Volume Controller 2145-CG8 are assembled.



svc\_cy1ap011

Figure 1. Parts diagram for the SAN Volume Controller 2145-CG8 model

The following tables identify part numbers and provide brief descriptions of the SAN Volume Controller 2145-CG8 parts. Use the assembly index number to locate and identify the parts that are shown in Figure 1.

- Table 4 on page 3 calls out the FRUs that are referred to in service procedures.



- Table 5 on page 5 lists the FRUs that are not referred to by any SAN Volume Controller 2145-CG8 service procedure, but that might be replaced in some circumstances.

Table 4. FRUs in the SAN Volume Controller 2145-CG8 parts assembly

Assembly index	FRU part	Quantity	Description
- 1	43V7066	0-1	Empty riser card  The SAN Volume Controller 2145-CG8 slot 2 connector has one of three adapters, either this one by default, or one of the optional adapters.
- 1	31P1558	0-1	Optional high-speed SAS riser-card assembly  An assembly that includes a high speed SAS adapter card that provides connectivity for up to four solid-state drives (SSD). The assembly includes a riser card, a blanking plate, and two M3 screws.
-	41Y3884	0-1	High-speed SAS adapter cable  This cable connects the high-speed SAS adapter to the disk backplane.
- 1	31P1559	0-1	Optional 10 gigabits-per-second (Gbps) Ethernet riser-card assembly  An assembly that includes a 10 Gbps Ethernet adapter card that provides connectivity for up to two 10 Gbps fiber optic Ethernet cables. The assembly includes a riser card, a blanking plate, and two M3 screws.
-	31P1549	0-2	10 Gbps Ethernet Fibre SW SFP
- 2	31P1337	1	4-port Fibre Channel adapter  The Fibre Channel host bus adapter (HBA) assembly connects the SAN Volume Controller 2145-CG8 to the Fibre Channel fabric. It is located in PCI slot 1. The adapter assembly includes the Fibre Channel PCI Express adapter, four shortwave SFPs, the riser card, and the bracket. <b>Important:</b> If the system is using alternative SFPs, replace the SFPs on the FRU part with the SFPs from the Fibre Channel adapter that is being replaced.
-	31P1338	0-4	Shortwave SFP  The small form-factor pluggable (SFP) transceiver provides an auto-negotiating 2, 4, or 8 Gbps shortwave optical connection on the 4-port Fibre Channel adapter. <b>Important:</b> It is possible that SFPs other than those shipped with the product are in use on the Fibre Channel host bus adapter. It is a customer responsibility to obtain replacement parts for such SFPs. The FRU part number is shown as “Non standard - supplied by customer” in the vital product data.

Table 4. FRUs in the SAN Volume Controller 2145-CG8 parts assembly (continued)

Assembly index	FRU part	Quantity	Description
-	31P1345	0-4	Longwave SFP  The small form-factor pluggable (SFP) transceiver provides an auto-negotiating 2, 4, or 8 Gbps 10 kilometer (km) longwave optical connection on the 4-port Fibre Channel adapter. <b>Note:</b> It is possible that SFPs other than those shipped with the product are in use on the Fibre Channel host bus adapter. It is a customer responsibility to obtain replacement parts for such SFPs. The FRU part number is shown as "Non standard - supplied by customer" in the vital product data.
- 3	49Y1446	3	Memory module  8 GB 2Rx4 2 Gbit DDR3 1333 MHz ECC LP RDIMM
- 4	33F8354	1	CMOS battery  3.0 volt battery on the system board that maintains power to back up system BIOS settings.
- 5	39Y7236	2	Power supply unit  675 Watt ac
-	31P1294	1	Power cable assembly  The cable assembly connects the SAN Volume Controller and the 2145 UPS-1U. The assembly consists of two power cables bundled with a serial cable.
- 6	44E4372	1	Operator-information panel  This assembly includes the information panel that contains the power-control button and diagnostic LEDs.
- 7	42D0673	1	Disk drive  The serial-attached SCSI (SAS) 2.5 inch disk drive, which, when ordered as a replacement, can be a supported compatible drive of at least the same capacity as the one being replaced.
- 8	31P1551	0-4	146 GB solid-state drive (SSD)
- 9	44T2248	2-6	Drive bay blank EMC filler assembly
- 10	31P1557	1	Service controller  The service controller includes the front-panel display, buttons, and associated electronics.
-	31P1540	1	Service controller cable  The USB cable is used to connect the service controller to the system board.
- 11	59Y3915	2	Disk backplane  Hot-swap SAS 2.5 inch disk-drive backplane
-	59Y3918	1	Disk signal cable  200 mm SAS disk signal cable for the 2.5 inch SAS system disk. This is a Y cable; one end connects to the system board and the other two ends connect to the two drive backplanes.

Table 4. FRUs in the SAN Volume Controller 2145-CG8 parts assembly (continued)

Assembly index	FRU part	Quantity	Description
-	59Y3920	1	Disk power cable Power cable for the 2.5 inch SAS system disk. This is a Y cable; one end connects to system board and the other two ends connect to the two drive backplanes.
-	59Y3461	1	Backplane control cable
- 12	43V6929	6	Fan assembly The fan assembly is used in each of the six fan positions.
- 13	81Y6625	1	System board The system board is also called the <i>planar</i> . <b>Important:</b> This part is the system board only. When replaced, you must also have alcohol wipes and thermal grease.
- 14	46M0861	1	Disk controller SAS controller card for the SAS 2.5 inch disk drive that does not include the riser card.
- 15	43V7067	1	Disk controller riser card with USB connector Riser card that connects the disk controller to the system board and provides the USB port to which the service controller cable connects.
- 16	49Y7052	0 - 1	Microprocessor E5630 2.53 GHz 4-core microprocessor 80 W <b>Important:</b> This part is the microprocessor only. A 4-core processor must be replaced with a 4-core FRU part. When replaced, you must also have alcohol wipes and thermal grease.
- 16	69Y4714	0 - 1	Microprocessor IntelR XeonR Processor E5645 6-core 2.4 GHz 12 MB 5.86 GT/s QPI 80 W <b>Important:</b> This part is the microprocessor only. A 6-core processor must be replaced with a 6-core FRU part. When replaced, you must also have alcohol wipes and thermal grease.

Table 5. FRUs to which SAN Volume Controller 2145-CG8 service procedures do not refer

Description	Part number	Quantity
Node cable retention bracket	31P1402	2
Thermal grease	41Y9292	1
Heat sink	49Y4820	1
Alcohol wipes	59P4739	1
Top cover	59Y3790	1
Air baffle kit (microprocessor and memory)	59Y3779	1
Support rails	69Y4391	1
Cable management arm assembly	69Y4392	1

## SAN Volume Controller 2145-CF8 parts

You might have to replace a SAN Volume Controller 2145-CF8 field-replaceable unit (FRU).

Figure 2 shows how the different parts of the SAN Volume Controller 2145-CF8 are assembled.

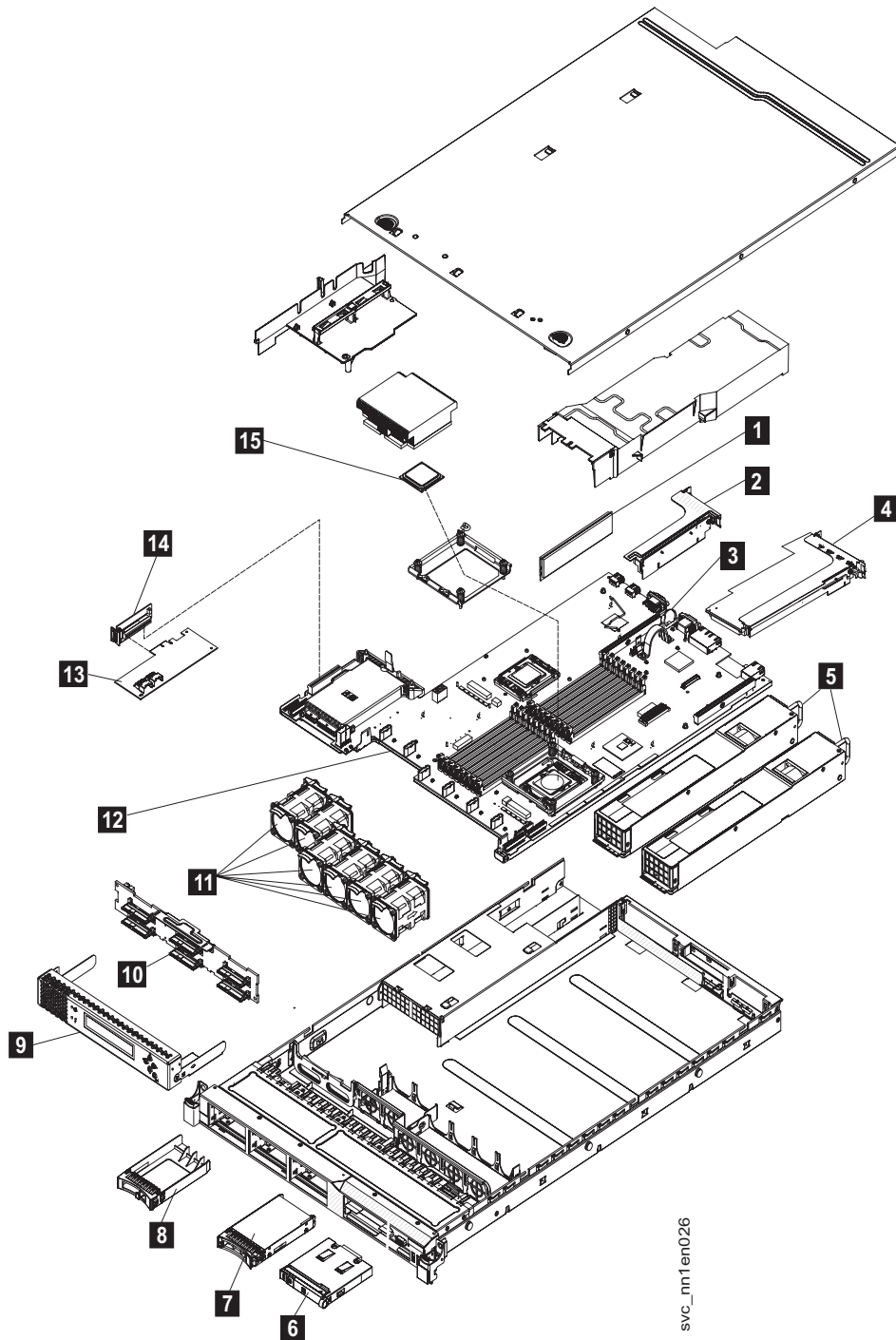


Figure 2. Exploded view of the SAN Volume Controller 2145-CF8 node

The following tables identify part numbers and provide brief descriptions of the SAN Volume Controller 2145-CF8 parts. Use the assembly index number to locate and identify the parts that are shown in Figure 2.

- Table 6 calls out the FRUs that are referred to in service procedures.
- Table 7 on page 9 lists the FRUs that are not referred to by any SAN Volume Controller 2145-CF8 service procedure, but that might be replaced in some circumstances.
- Table 8 on page 9 lists the FRUs that are related to the optional solid-state drive (SSD) features.

Table 6. FRUs in the SAN Volume Controller 2145-CF8 parts assembly

Assembly index	Part number	Units	Description
-1	44T1493	6	Memory module 4 GB memory module, DDR3-1333 2RX4 LP RDIMM
-2	31P1340	1	Optional: High speed SAS adapter An assembly that includes a high speed SAS adapter card that provides connectivity for up to four solid-state drives (SSDs), a riser card, a blanking plate, and screws.
-3	33F8354	1	CMOS battery 3.0 volt battery on the system board that maintains power to back up system BIOS settings.
-4	31P1337	1	4-port Fibre Channel adapter A Fibre Channel host bus adapter (HBA) assembly that connects the SVC CF8 to the Fibre Channel fabric. It is located in PCI slot 1. The adapter assembly includes the Fibre Channel PCI Express adapter, four short-wave small form-factor pluggable (SFP) transceivers, the riser card, and the bracket. <b>Note:</b> If the system is using alternative Fibre Channel SFP transceivers, replace the SFP transceivers on the FRU part with the SFP transceivers from the Fibre Channel adapter that is being replaced.
-5	39Y7201	2	Power supply unit Ac power supply, 675 Watt
-6	44E4372	1	Operator-information panel This assembly includes the information panel that contains the power-control button and diagnostics LEDs.
-7	42D0673	1	Disk drive The serial-attached SCSI (SAS) 2.5 inch disk drive, which, when ordered as a replacement, might be a supported compatible drive of at least the same capacity as the one being replaced.
-8	44T2248	4	Drive bay blank EMC filler assembly
-9	31P1339	1	Service controller The service controller includes the front-panel display, buttons, and associated electronics.
-10	43V7071	1	Disk backplane Hot-swap SAS 2.5" disk-drive backplane
-11	43V6929	6	Fan assembly The fan assembly is used in each of the six fan positions.

Table 6. FRUs in the SAN Volume Controller 2145-CF8 parts assembly (continued)

Assembly index	Part number	Units	Description
-12	43V7072	1	System board  The system board is also called the <i>planar</i> . <b>Note:</b> This part is the system board only. When replaced, you must also have alcohol wipes and thermal grease.
-13	44E8690	1	Disk controller  SAS controller card for the SAS 2.5 inch disk drive that also includes the riser card.
-14	44E8690	1	Disk controller / USB riser card  Riser card that connects the disk controller to the system board and provides the USB port to which the service controller cable connects.
-15	46D1266	1	Microprocessor  2.40 GHz Quad-core microprocessor <b>Note:</b> This part is the microprocessor only. When replaced, you must also have alcohol wipes and thermal grease.
-	31P1338	4	Short-wave SFP transceivers  Small form-factor pluggable (SFP) Fibre Channel transceiver that provides an auto-negotiating 2, 4, or 8 gigabits-per-second short-wave optical connection on the 4-port Fibre Channel adapter. <b>Note:</b> It is possible that SFP transceivers other than those shipped with the product are in use on the Fibre Channel host bus adapter. It is a customer responsibility to obtain replacement parts for such SFP transceivers. The FRU part number is shown as "Non standard - supplied by customer" in the vital product data.
-	31P1206	1	Service controller cable  The USB cable used to connect the service controller to the system board.
-	43V6922	1	Disk signal cable  200 mm SAS disk signal cable
-	46C4148	1	Disk power cable  SAS disk power cable
-	31P1294	1	Power cable assembly  The cable assembly that connects the SAN Volume Controller and the 2145 UPS-1U. The assembly consists of two power cables bundled with a serial cable.
-	49Y4817	1	Cable-management arm
-	46C4139	1	Operator information panel cable  Cable that connects the operator information panel to the system board
-	41Y9292	-	Thermal grease  Grease that helps provide a thermal seal between the processor and the heat sink

Table 6. FRUs in the SAN Volume Controller 2145-CF8 parts assembly (continued)

Assembly index	Part number	Units	Description
-	59P4739	-	Alcohol wipe Cleaning wipe

Table 7. FRUs to which SAN Volume Controller 2145-CF8 service procedures do not refer

Description	Part number	Quantity
Top cover	43V6933	1
Front panel moulding that surrounds the operator information panel	49Y4818	1
Air baffle kit (microprocessor and memory)	43V6931	1
Heat sink	49Y4820	1
Base chassis	49Y4813	1
Rail kit used to install the node in a rack	49Y4816	1
Cable management arm assembly	49Y4817	1
Cable retention bracket	31P1243	1
Front panel USB cable	43V6920	1
Front bezel assembly	49Y4818	1
DVD drive bay filler	49Y4824	1
240VA safety cover	49Y4823	1
HDD I2C signal cable	43V7023	1

Table 8. FRU parts for the solid-state drive (SSD) features

Description	Part number	Quantity	Feature Code
High-speed SAS adapter An assembly that includes a high speed SAS adapter card that provides connectivity for up to four solid-state drive (SSD). The assembly includes a riser card, a blanking plate, and two M3 screws.	31P1340	1	4500
High-speed SAS cable This cable connects the high-speed SAS adapter to the disk backplane.	41Y3884	1	
146 GB Solid-state drive (SSD)	31P1342	1 to 4	4601

Table 9. FRU parts for the long-wave small form-factor pluggable (SFP) transceiver feature

Description	Part number	Quantity	Feature Code
Long-wave SFP transceiver FRU Long-wave SFP transceiver that provides an auto-negotiating 2, 4, or 8 gigabits-per-second 10 kilometer (km) long-wave optical connection on the 4-port Fibre Channel adapter. <b>Note:</b> It is possible that SFP transceiver other than those shipped with the product are in use on the Fibre Channel host bus adapter. It is a customer responsibility to obtain replacement parts for such SFP transceiver. The FRU part number is shown as "Non standard - supplied by customer" in the vital product data.	31P1345	1 to 4	5608

## SAN Volume Controller 2145-8A4 parts

You might need to replace a SAN Volume Controller 2145-8A4 field replaceable unit (FRU).

Figure 3 shows how the different parts of the SAN Volume Controller 2145-8A4 are assembled.

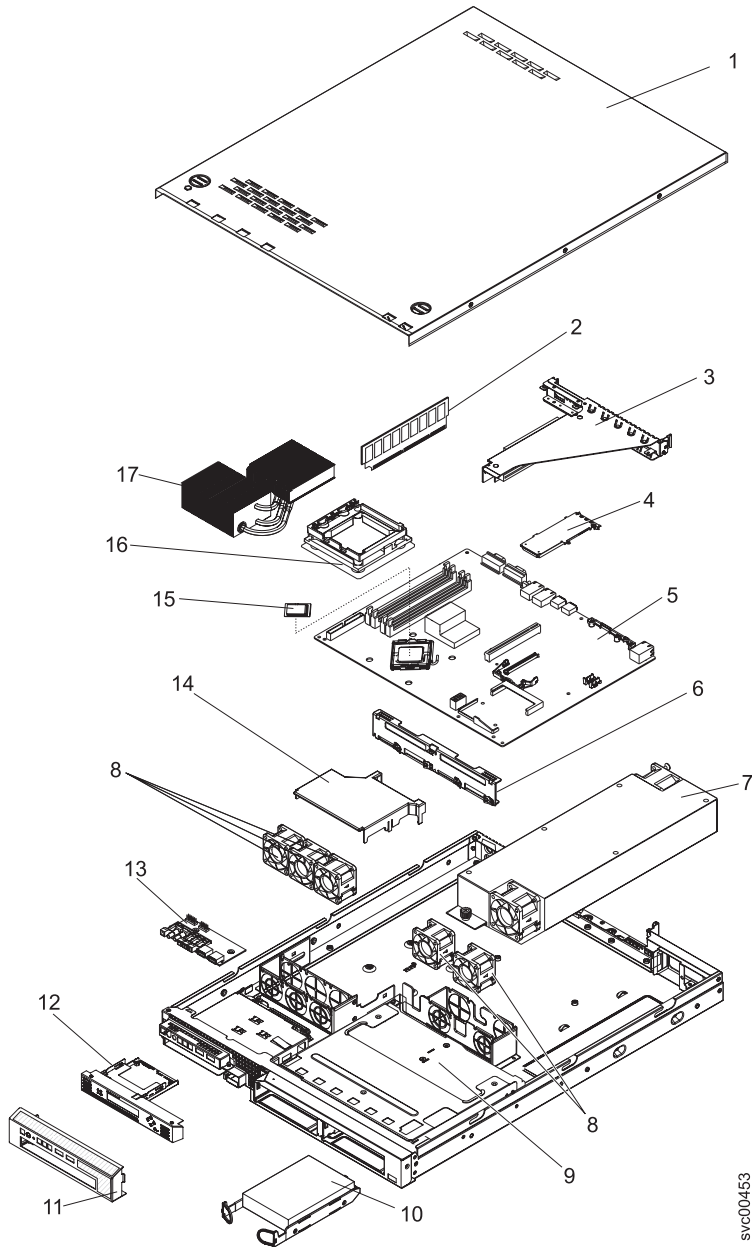


Figure 3. Exploded view of the SAN Volume Controller 2145-8A4 node

- Table 10 on page 11 provides the part numbers and a brief description for parts that are exchanged within SAN Volume Controller 2145-8A4 service procedures.
- Table 11 on page 12 provides the part numbers and a brief description for parts that are not exchanged within SAN Volume Controller 2145-8A4 service procedures.

Use the assembly index number to locate and identify the parts that are shown in Figure 3.



Table 10. FRUs that are exchanged within SAN Volume Controller 2145-8A4 service procedures

Assembly index	Part number	Units	Description
-2	41Y2854	4	Memory, 2 GB PC2-5300 ECC
-3	43W5112	1	Riser card, PCI Express
-4	31P0937	1	4-port Fibre Channel host bus adapter
-	23R2770	4	Fibre Channel SFP transceiver
-5	43W5103	1	System board (You need 1 alcohol wipe and 1 thermal grease syringe when you replace this FRU. If you do not already have these, order them before you begin to replace the part.)
-6	39M4347	1	Disk cable assembly (A SATA disk drive back plate with 2 SATA cables)
-7	39Y7289	1	Power supply, 351 watt
-8	39M4322	5	Fan (40 mm)
-10	41Y8247	1	Hard disk drive, 3.5 in, simple-swap SATA  This disk drive, when ordered as a replacement, will be a supported compatible drive of at least the same capacity as the one being replaced.
-12	31P1157	1	Service controller, including the front-panel display and the display and control buttons
-13	42C1513	1	Operator-information panel
-	39M6266	1	Operator-information panel cable
-15	44X0204	1	Microprocessor, 3.0 GHz 6 MB dual core (You need 1 alcohol wipe and 1 thermal grease syringe when you replace this FRU. If you do not already have these, order them before you begin to replace the part.)
-	33F8354	1	Battery, 3.0V

Table 10. FRUs that are exchanged within SAN Volume Controller 2145-8A4 service procedures (continued)

Assembly index	Part number	Units	Description
-	31P1177	1	Power cable assembly (SAN Volume Controller to the 2145 UPS-1U). The SAN Volume Controller 2145-8A4 does not work with previous versions of the power cable assembly. The correct power cable assembly is indicated by the red tape that is used to bind the cables together.
-	12R9914	1	External Fibre Channel cable, LC-LC, 5.0 m (16.4 ft)
-	12R9915	1	External Fibre Channel cable, LC-LC, 25.0 m (82 ft)
-	59P4739	1	Alcohol wipe
-	41Y9292	1	Thermal grease

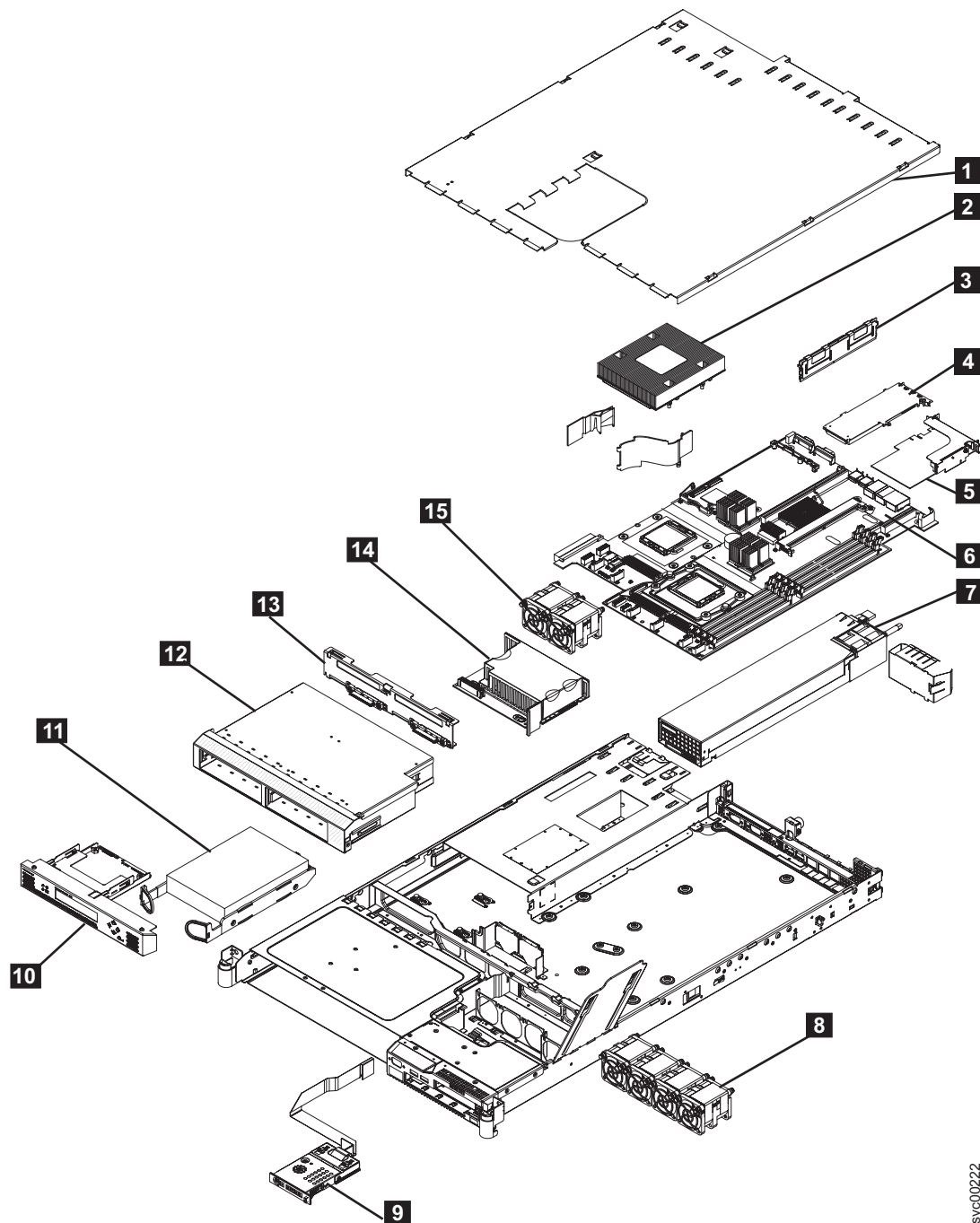
Table 11. FRUs that are not exchanged within SAN Volume Controller 2145-8A4 service procedures

Assembly index	Part number	Quantity	Description
-	32P9107	1	Support rail kit
-	31P1171	1	Cable retention bracket
-	43W5119	1	Chassis
1	42C1284	1	Top cover
9	42C1286	1	Drive cage
11	43W5115	1	Front bezel
14	39M6296	1	Air baffle
16	43W5117	1	Heat-sink assembly retention module
17	43W5116	1	Heat-sink assembly
-	42C1282	1	3.5 in. SATA service label
-	43W5113	1	Service label
-	43W5114	1	CRU/FRU label
-	39M4351	2	Bracket ear

## SAN Volume Controller 2145-8G4 parts

You might need to replace a SAN Volume Controller 2145-8G4 field replaceable unit (FRU).

Figure 4 on page 13 shows how the different parts of the SAN Volume Controller 2145-8G4 are assembled.



svc00222

Figure 4. Exploded view of the SAN Volume Controller 2145-8G4 node

There are two versions of the SAN Volume Controller 2145-8G4 node: Rev 1 and Rev 2. The differences between these two versions are in the memory and processor configuration. See Table 12 to determine which version you have. In addition, the vital product data (VPD) for the node indicates the correct part numbers for nodes that are working in a cluster.

Table 12. Distinctive characteristics of the SAN Volume Controller 2145-8G4 versions

Rev 1 version	Rev 2 version
There is one label on the front of the node and it does not include a revision number	There are two labels on the front of the node; the larger label is positioned on the optical drive filler panel and includes the revision number

Table 12. Distinctive characteristics of the SAN Volume Controller 2145-8G4 versions (continued)

Rev 1 version	Rev 2 version
Has two microprocessors	Has one microprocessor
Has eight memory modules	Has four memory modules
Has a serial number in the format <i>mm-Fxxxx</i>	Has a serial number in the format <i>mm-Gxxxx</i>

The following tables identify part numbers and provide brief descriptions of the SAN Volume Controller 2145-8G4 parts. Use the assembly index number to locate and identify the parts that are shown in Figure 4 on page 13.

- Table 13 lists the parts that are unique for the Rev 1 version.
- Table 14 lists the parts that are unique for the Rev 2 version.
- Table 15 lists the parts that are used with both versions.
- Table 16 on page 15 lists the FRUs that are not referred to by any SAN Volume Controller 2145-8G4 service procedure.

Table 13. FRU part numbers that are unique for the SAN Volume Controller 2145-8G4 Rev 1 version

Assembly index	Part number	Units	Description
-2	42C4228	2	Microprocessor, 2.33 GHz with heat sink
-3	39M5784	8	Memory, 1 GB ECC DRR2

Table 14. FRU part numbers that are unique for the SAN Volume Controller 2145-8G4 Rev 2 version

Assembly index	Part number	Units	Description
-2	44R5646	1	Microprocessor, 2.5 GHz (You need 1 alcohol wipe and 1 thermal grease syringe when you replace this FRU. If you do not already have these, order them before you begin to replace the part.)
-3	39M5790	4	Memory, 2 GB ECC DRR2

Table 15. FRUs in the SAN Volume Controller 2145-8G4 parts assembly

Assembly index	Part number	Units	Description
-1	43W0609	1	Top cover
-4	31P0937	1	4-port Fibre Channel host bus adapter
-5	32R2883	1	Riser card, PCI Express (Slot 1)
-6	31P1090	1	System board (You need 2 alcohol wipes and 2 thermal grease syringes when you replace this FRU. If you do not already have these, order them before you begin to replace the part.)
-7	39Y7189	1	Power supply, 670 watt

Table 15. FRUs in the SAN Volume Controller 2145-8G4 parts assembly (continued)

Assembly index	Part number	Units	Description
-8 and -15	26K8083	6	Fan assembly
-	33F8354	1	Battery, 3.0V
-9	43W0625	1	Operator-information panel
-10	31P0908	1	Service controller
-11	41Y8247	1	Hard disk drive, 3.5 in, simple-swap SATA (beginning with SAN Volume Controller 4.3.1)  This disk drive, when ordered as a replacement, will be a supported compatible drive of at least the same capacity as the one being replaced.
-12	32R2823	1	Simple-swap SATA disk drive cage
-13	26K8060	1	Disk-drive backplane
-14	39Y6972	1	Power back plane
-	23R2770	1	Fibre Channel SFP transceiver
-	31P1063	1	Power cable assembly (SAN Volume Controller to 2145 UPS-1U)
-	39M5700	1	External Fibre Channel cable, LC-LC, 5.0 m (16.4 ft)
-	39M5701	1	External Fibre Channel cable, LC-LC, 25.0 m (82 ft)
-	59P4739	1	Alcohol wipe
-	41Y9292	1	Thermal grease

Table 16. FRUs that are not referenced by SAN Volume Controller 2145-8G4 service procedures

Part number	Quantity	Description
39Y9510	1	Kit, toolless rail
31P1045	1	Cable retainer assembly
26K8058	2	Front panel USB cable
32R2820	1	3.5 in. SATA service label
39Y9420	1	Air flow parts
39Y9423	2	Heat sink assembly
39Y9507	1	Media bezel assembly
43W0610	1	Service labels assembly
39Y9522	1	Main panel weldment
42C3983	1	Optical interposer card
43V4869	1	CRU/FRU label

Table 16. FRUs that are not referenced by SAN Volume Controller 2145-8G4 service procedures (continued)

Part number	Quantity	Description
39Y9507	1	Media bezel assembly
32R2823	1	3.5 in. SATA cartridge assembly

## SAN Volume Controller 2145-8F4 parts

You might need to replace a SAN Volume Controller 2145-8F4 field replaceable unit (FRU).

Figure 5 shows how the different parts of the SAN Volume Controller 2145-8F4 are assembled.

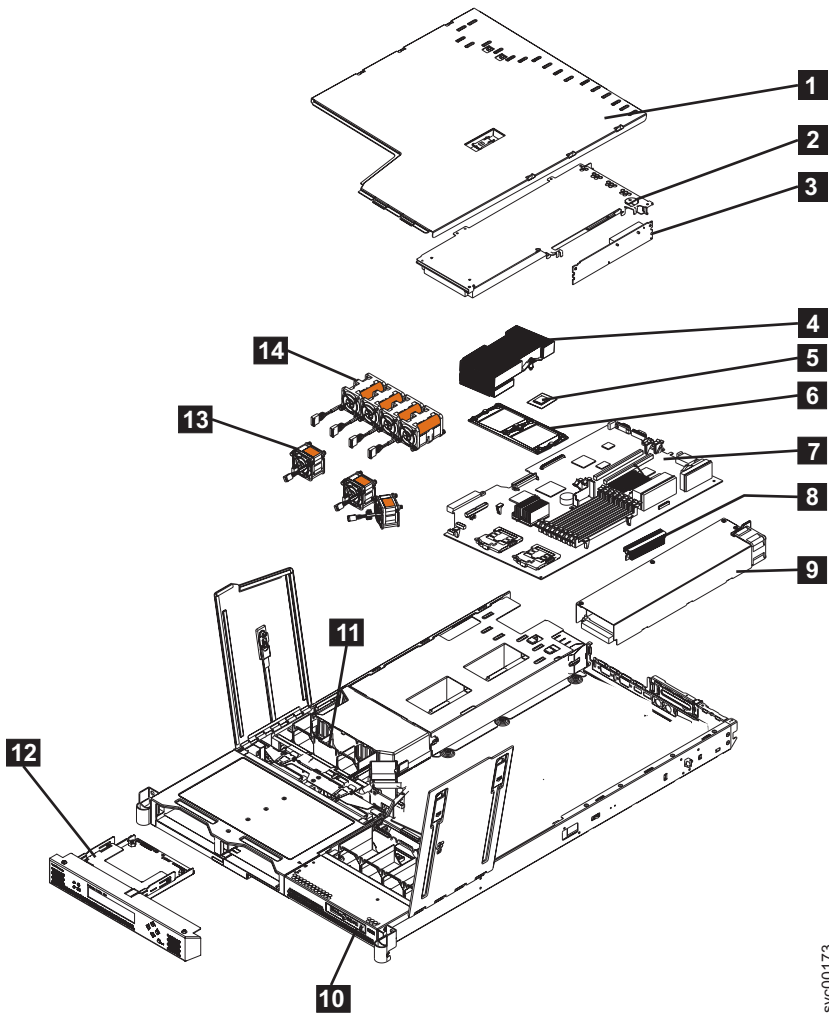


Figure 5. Exploded view of the SAN Volume Controller 2145-8F4 node

Table 17 provides the part numbers and a brief description of the frame assembly parts that are labeled in Figure 5. The frame assembly comprises all the parts except the service controller and Fibre Channel cards. These parts are listed in Table 18 on page 17.

Table 17. SAN Volume Controller 2145-8F4 frame assembly

Assembly index	Part number	Units	Description
	31P0705	1	Frame assembly

Table 17. SAN Volume Controller 2145-8F4 frame assembly (continued)

Assembly index	Part number	Units	Description
-	31P0769	1	80GB SATA HDD  This disk drive, when ordered as a replacement, will be a supported compatible drive of at least the same capacity as the one being replaced.
-1	23K4219	1	Top cover
-3	90P1956	1	Riser card, PCI Express
-4	39R9058	2	Heat sink
-5	13M8293	2	Microprocessor, 3.0 GHz
-6	90P5282	1	Heat sink retention module
-	90P5284	1	Chassis
-	23K4209	1	Cage assembly
-7	39Y6958	1	System board
-8	39Y7261	2	Voltage regulator module (VRM), 1U/75A
-9	39Y7169	1	Power supply, 585 watt
-	40K8157	1	Power backplane
-	33F8354	1	Battery, 3.0V
-	40K8160	1	Cable, fan power
-	40K8159	1	Cable, signal, front panel
-10	42C9719	1	Operator information panel
-11	40K8156	1	Fan holder with fan backplanes
-13	40K8139	3	Fan, 40×40×28
-14	40K8140	4	Fan, 40×40×56
-	73P2870	8	Memory, 1 GB ECC DRR2

Table 18. Items not included in the SAN Volume Controller 2145-8F4 frame assembly

Assembly index	Part number	Units	Description
-2	31P0714	1	4-port Fibre Channel host bus adapter
-	23R2770	1	Fibre Channel SFP transceiver
-12	31P0708	1	Service controller
-	23K4218	1	Kit, toolless rail
-	31P1063	1	Power cable assembly (SAN Volume Controller to the 2145 UPS-1U)
-	31P0715	1	Cable retainer
-	39M5699		External Fibre Channel cable, LC-LC, 1.0 m (3.3 ft)
-	39M5700		External Fibre Channel cable, LC-LC, 5.0 m (16.4 ft)
-	39M5701		External Fibre Channel cable, LC-LC, 25.0 m (82 ft)
-	12R9321		External Fibre Channel cable, LC-SC/LC, 1.0 m (3.3 ft)

## SAN Volume Controller 2145-8F2 parts

You might need to replace a SAN Volume Controller 2145-8F2 field replaceable unit (FRU).

Figure 6 shows how the different parts for the SAN Volume Controller 2145-8F2 are assembled.

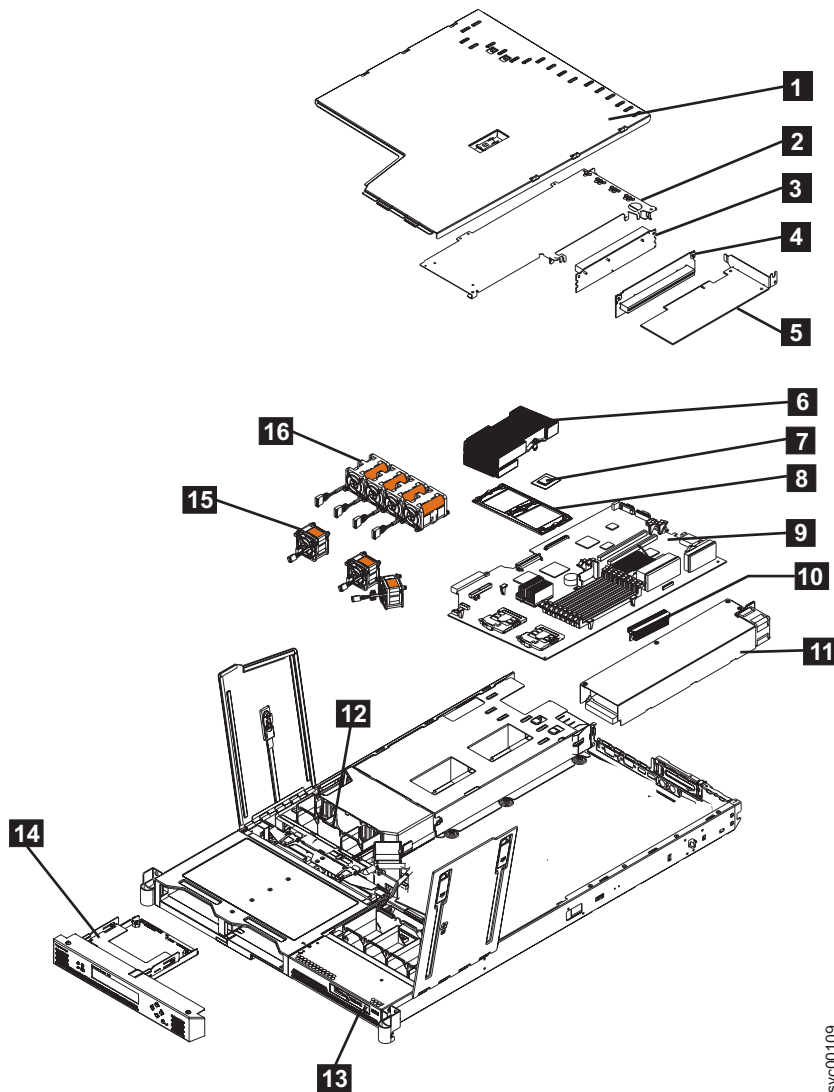


Figure 6. Exploded view of the SAN Volume Controller 2145-8F2 node

Table 19 provides the part numbers and a brief description of the frame assembly parts that are labeled in Figure 6. The frame assembly comprises all of the parts except the service controller and Fibre Channel cards. These parts are listed in Table 20 on page 19.

Table 19. SAN Volume Controller 2145-8F2 frame assembly

Assembly index	Part number	Units	Description
	64P7934	1	Frame assembly
-1	23K4219	1	Top cover
-	64P8332	1	80GB SATA HDD
-3	23K4211	1	Riser card, PCI (full height)
-4	90P1957	1	Riser card, PCI (low profile)
-6	90P5281	2	Heat sink



Table 19. SAN Volume Controller 2145-8F2 frame assembly (continued)

Assembly index	Part number	Units	Description
-7	13M8293	2	Microprocessor, 3.0 GHz
-8	90P5282	1	Heat sink retention module
-	90P5284	1	Chassis
-	23K4209	1	Cage assembly
-9	32R1730	1	System board
-10	24R2698	2	VRM, 1U/75A
-11	24R2640	1	Power supply assembly
-	23K4515	1	Power backplane
-	33F8354	1	Battery, 3.0V
-	33P2352	1	Cable, fan power
-	25R4052	1	Cable, signal, front panel
-12	23K4992	1	Fan holder with fan backplanes
-13	23K4490	1	Operator information panel
-15	23K4217	3	Fan, 40×40×28
-16	33P2335	4	Fan, 40×40×56
-	73P2870	8	Memory, 1 GB ECC DRR2

Table 20. Items not included in the SAN Volume Controller 2145-8F2 frame assembly

Assembly index	Part number	Units	Description
-2	64P7783	1	Fibre Channel HBA (full height)
-5	64P7813	1	Fibre Channel HBA (low profile)
-	23R2770	1	Fibre Channel SFP transceiver
-14	64P7874	1	Service controller
-	64P7940	1	Input power cable assembly, (SAN Volume Controller 2145-8F2 to the 2145 UPS-1U)
-	23K4218	1	Kit, toolless rail
-	39M5699		External Fibre Channel cable, LC-LC, 1.0 m (3.3 ft)
-	39M5700		External Fibre Channel cable, LC-LC, 5.0 m (16.4 ft)
-	39M5701		External Fibre Channel cable, LC-LC, 25.0 m (82 ft)
-	12R9321		External Fibre Channel cable, LC-SC/LC, 1.0 m (3.3 ft)

---

## Redundant ac-power switch parts

There is a single field-replaceable unit (FRU) assembly for the redundant ac power feature. It consists of the switch and two input-power cables.

The redundant ac-power switch is an optional feature that makes the SAN Volume Controller nodes resilient to the failure of a single power circuit. The redundant ac-power switch is not a replacement for an uninterruptible power supply. You must still use a uninterruptible power supply for each node.

Figure 7 shows the redundant ac-power switch.

Table 21 lists the part numbers for the redundant ac-power switch.



Figure 7. View of the redundant ac-power switch FRU

Table 21. Redundant ac-power switch

Part number	Units	Description
31P0896	1	Redundant ac-power switch assembly

---

## 2145 UPS-1U parts

The 2145 UPS-1U is assembled from four separate parts.

A 2145 UPS-1U powers one SAN Volume Controller node. Figure 8 on page 21 shows the parts that make up the 2145 UPS-1U.

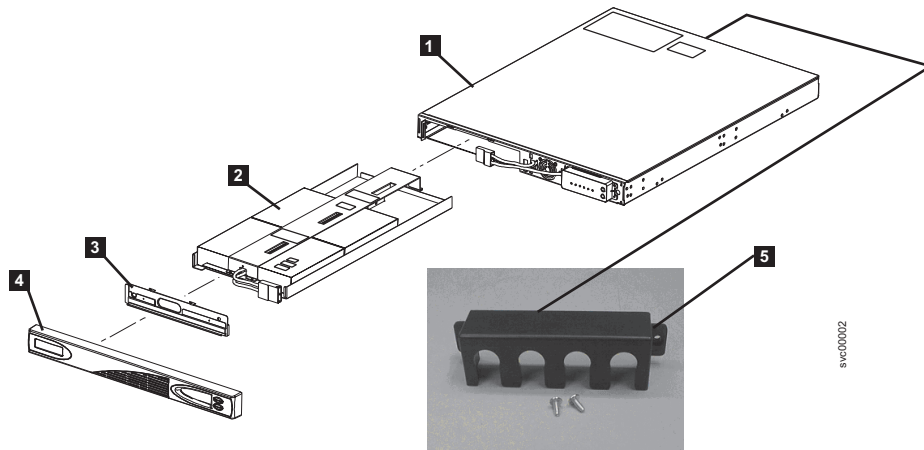


Figure 8. Exploded view of the 2145 UPS-1U hardware

Table 22 lists the different parts that are labeled in Figure 8.

Table 22. 2145 UPS-1U part numbers

Assembly index	Part number	Units	Description
	31P1392	1	2145 UPS-1U assembly  Uninterruptible power supply assembly for use with either 2145-CG8 or 2145-CF8
	31P0875	1	2145 UPS-1U assembly  Uninterruptible power supply assembly for use with 2145-8F2, 2145-8F4, 2145-8G4, and 2145-8A4.  The 31P1392 FRU part might be substituted for this FRU.
-1	Not available	1	Chassis assembly  This item cannot be ordered and is supplied as part of the 2145 UPS-1U assembly.
-2	31P1393	1	Battery pack assembly
-3	Not available	1	Battery plate  This item cannot be ordered and is supplied as part of the 2145 UPS-1U assembly.
-4	31P0709	1	Front panel
-5	31P1060	1	2145 UPS-1U cable retention bracket kit
-	31P0711	1	Support rail kit, contains rails, nut clips, and screws
-	39M5376	1	Input-power cable, power distribution unit to the 2145 UPS-1U
-	39M5116	1	Main power cable for the United States

## Power cables for the 2145 UPS-1U

If you do not connect the 2145 UPS-1U to a rack power-distribution unit (PDU) or redundant ac-power switch, you must follow your country or region's power requirements to choose the appropriate power cable for the 2145 UPS-1U.

The 2145 UPS-1U is supplied with an IEC 320-C13 to C14 jumper to connect it to a rack PDU. You can also use this cable to connect the 2145 UPS-1U to the redundant ac-power switch.

The following table lists the power cable options for your country or region.

Country or region	Length	Connection type (attached plug designed for 200 - 240 V ac input)	Part number
United States of America (Chicago), Canada, Mexico	1.8 m (6 ft)	NEMA L6-15P	39M5115
Bahamas, Barbados, Bermuda, Bolivia, Brazil, Canada, Cayman Islands, Colombia, Costa Rica, Dominican Republic, Ecuador, El Salvador, Guatemala, Guyana, Haiti, Honduras, Jamaica, Japan, Korea (South), Liberia, Mexico, Netherlands Antilles, Nicaragua, Panama, Peru, Philippines, Saudi Arabia, Suriname, Taiwan, Trinidad (West Indies), United States of America, Venezuela	2.8 m (9 ft)	NEMA L6-15P	39M5116
Afghanistan, Algeria, Andorra, Angola, Austria, Belgium, Benin, Bulgaria, Burkina Faso, Burundi, Cameroon, Central African Republic, Chad, Czech Republic, Egypt, Finland, France, French Guiana, Germany, Greece, Guinea, Hungary, Iceland, Indonesia, Iran, Ivory Coast, Jordan, Lebanon, Luxembourg, Macao S.A.R. of China, Malagasy, Mali, Martinique, Mauritania, Mauritius, Monaco, Morocco, Mozambique, Netherlands, New Caledonia, Niger, Norway, Poland, Portugal, Romania, Senegal, Slovakia, Spain, Sudan, Sweden, Syria, Togo, Tunisia, Turkey, former USSR, Vietnam, former Yugoslavia, Zaire, Zimbabwe	2.8 m (9 ft)	CEE 7-VII	39M5123
Antigua, Bahrain, Brunei, Channel Islands, Hong Kong S.A.R. of China, Cyprus, Dubai, Fiji, Ghana, India, Iraq, Ireland, Kenya, Kuwait, Malawi, Malaysia, Malta, Nepal, Nigeria, Polynesia, Qatar, Sierra Leone, Singapore, Tanzania, Uganda, United Kingdom, Yemen, Zambia	2.8 m (9 ft)	BS 1363/A	39M5151
Argentina	2.8 m (9 ft)	IRAM 2073	39M5068
Argentina, Australia, New Zealand, Papua New Guinea, Paraguay, Uruguay, Western Samoa	2.8 m (9 ft)	AS/NZS 3112/2000	39M5102
Bangladesh, Burma, Pakistan, South Africa, Sri Lanka	2.8 m (9 ft)	SABS 164	39M5144
Chile, Ethiopia, Italy, Libya, Somalia	2.8 m (9 ft)	CEI 23-16	39M5165
People's Republic of China	2.8 m (9 ft)	GB 2099.1	39M5206
Denmark	2.8 m (9 ft)	DK2-5a	39M5130
Israel	2.8 m (9 ft)	SI 32	39M5172
Liechtenstein, Switzerland	2.8 m (9 ft)	IEC 60884 Std. Sheet 41653472 (CH Type 12)	39M5158

Country or region	Length	Connection type (attached plug designed for 200 - 240 V ac input)	Part number
Thailand	2.8 m (9 ft)	NEMA 6-15P	39M5095



---

## Chapter 2. Removing and replacing parts

You can remove and replace field-replaceable units (FRUs) from the SAN Volume Controller, redundant ac-power switch, and uninterruptible power supply.

Each FRU has its own removal procedure. Sometimes you can find that a step within a procedure might refer you to a different remove/replace procedure. You might want to complete the new procedure before you continue with the first procedure that you started.

Remove or replace parts only when you are directed to do so by the *IBM System Storage SAN Volume Controller Troubleshooting Guide*. Start all problem determination and repair procedures with MAP 5000.

---

### Enabling concurrent maintenance

To allow concurrent maintenance, SAN Volume Controllers must be configured in pairs.

While one SAN Volume Controller is being serviced, the other keeps the I/O group operational. With concurrent maintenance, all field-replaceable units (FRUs) can be removed, replaced, and tested on one SAN Volume Controller while the SAN and host systems are powered on and doing productive work.

**Attention:** Do not remove the power from both SAN Volume Controllers unless the procedures instruct you to do so.

Perform the following checks to verify that concurrent maintenance is enabled.

It is particularly important to perform these checks if a node contains solid-state drives (SSDs) because volumes on the SSDs might not be mirrored.

1. Confirm that no hosts have dependencies on the node.

When shutting down a node that is part of a system or when deleting the node from a system, you can use either the management GUI or a command-line interface (CLI) command. In the management GUI, click **System Status**. Click the correct node and click **Manage** to display all the volumes that are dependent on a node. You can also use the **node** parameter with the **lsdependentvdisks** CLI command to view dependent volumes.

If dependent volumes exist, determine if the volumes are being used. If the volumes are being used, either restore the redundant configuration or suspend the host application. If a dependent quorum disk is reported, repair the access to the quorum disk or modify the quorum disk configuration.

2. Ensure that the host multipathing device drivers can fail over to the partner node.

Some host multipathing device drivers take a while to update after changes are made on the fabric. Do not shut down a node or delete the node from a cluster if the partner node in the I/O group to which the node belongs has not been online for more than 30 minutes.

If possible, check the status of the host multipathing device drivers before shutting down a node to ensure that the device drivers can fail over to the partner node.

When shutting down the node, see MAP 5350 in the *IBM System Storage SAN Volume Controller Troubleshooting Guide* for a description of how to check for dependencies on the node during the procedure to turn off the node.

When deleting a node from the cluster, see "Deleting a node from a cluster using the management GUI" in the *IBM System Storage SAN Volume Controller Troubleshooting Guide* for a description of node

information to retain to avoid data corruption when adding the node back to the cluster, how to ensure that the multipathing device driver does not rediscover any paths that are manually removed, and for other considerations regarding dependent volumes.

For more information about working with dependent volumes, see the following topics:

- "Listing node-dependent VDisks (volumes) using the CLI" in the *IBM System Storage SAN Volume Controller Troubleshooting Guide*
- "Isnodedependentvdisks" command description in the *IBM System Storage SAN Volume Controller and IBM Storwize V7000 Command-Line Interface User's Guide*

---

## Preparing to remove and replace parts

Before you remove and replace parts, you must be aware of all safety issues.

- | First, read the safety precautions in the *IBM System Storage SAN Volume Controller Safety Notices*. These guidelines help you safely work with the SAN Volume Controller, redundant ac-power switch, and uninterruptible power supply.

---

## Working inside the node with the power on

When you are servicing the SAN Volume Controller node, you might need to turn on the node while the cover is off.

**Attention:** Static electricity that is released to internal components when the node is turned on might cause the node to halt, which might result in the loss of data. To avoid this potential problem, always use an electrostatic-discharge wrist strap or other grounding system when you work inside the node with the power on.

You might be instructed to turn on the node and look at system-board LEDs while the cover is off. Follow these guidelines when you work inside a node that is turned on:

- Avoid wearing loose-fitting clothing on your forearms. Button long-sleeved shirts before working inside the server; do not wear cuff links while you are working inside the node.
- Do not allow your necktie or scarf to hang inside the node.
- Remove jewelry, such as bracelets, necklaces, rings, and loose-fitting wrist watches.
- Remove items from your shirt pocket, such as pens and pencils, that could fall into the node as you lean over it.
- Avoid dropping any metallic objects, such as paper clips, hairpins, and screws, into the node.

---

## Removing and replacing SAN Volume Controller parts

The remove and replace procedures for the SAN Volume Controller field replaceable units are described in the topics that follow.

### Removing the cable-management arm

You can remove the 2145-CF8 and 2145-CG8 cable-management arm from the rack.

### Removing the 2145-CG8 and 2145-CF8 cable-management arm

Remove the cable-management arm that routes and secures the power cables and other cables.

- | Figure 9 on page 27 shows the items that you need to install the SAN Volume Controller 2145-CG8 or 2145-CF8 node in a rack.



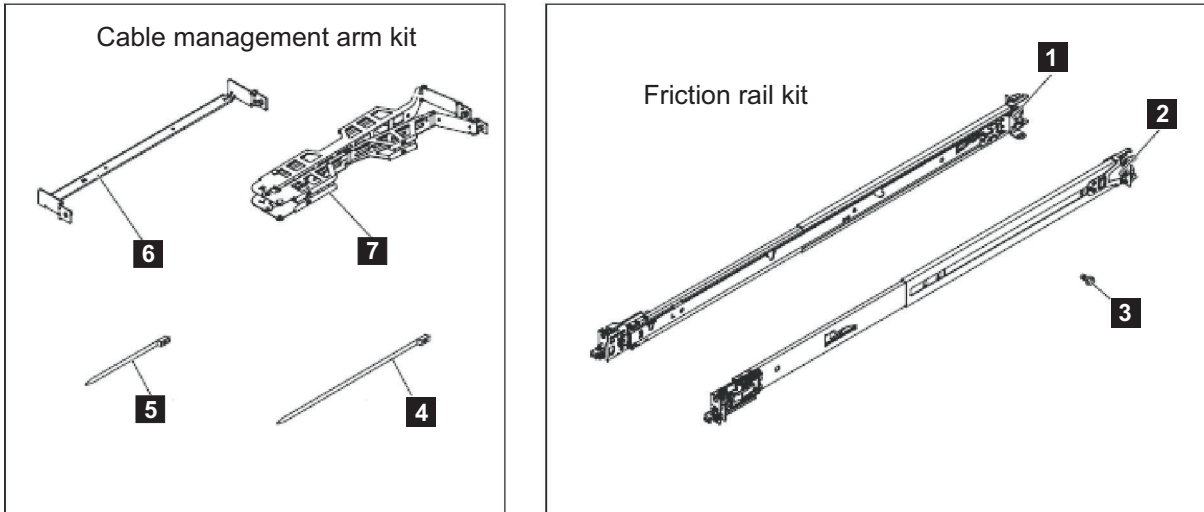


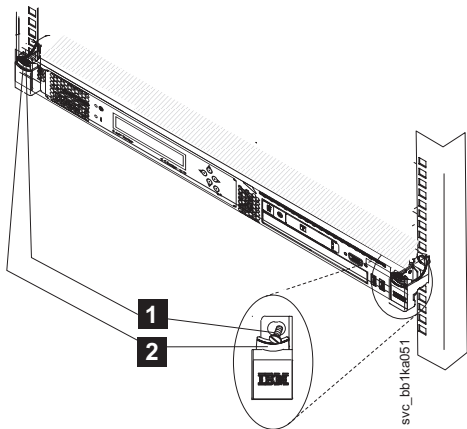
Figure 9. The cable-management arm, support rails, and associated parts of the 2145-CG8 and 2145-CF8

Table 23. Cable-management arm and associated parts descriptions and quantities

Reference	Description	Quantity
<b>1</b>	Slide rail (left)	1
<b>2</b>	Slide rail (right)	1
<b>3</b>	M6 screws	4
<b>4</b>	Large cable tie	1
<b>5</b>	Cable ties	5
<b>6</b>	Cable-management support arm	1
<b>7</b>	Cable-management arm assembly	1

To remove the cable-management arm, perform the following steps:

1. Remove all power from the node, as described in MAP 5350 in the *IBM System Storage SAN Volume Controller Troubleshooting Guide*.
2. Disconnect all cables from the back of the node.
3. Slide the node away from the back of the rack.
  - a. Remove any optional M6 screws, as shown by **1** in Figure 10 on page 28, from the front of the node.
  - b. To release the node from the rack, press the orange release latches **2** and slide the node forward until it latches in the service position.



1 Figure 10. Release latches and mounting screws of the SAN Volume Controller 2145-CG8 or 2145-CF8

4. Disconnect the power cords and other cables from the cable-management arm.
  - a. Remove the cable ties or hook-and-loop fasteners.
  - b. Free the cables and power cords from the cable-management arm, as shown by **1** in Figure 11.

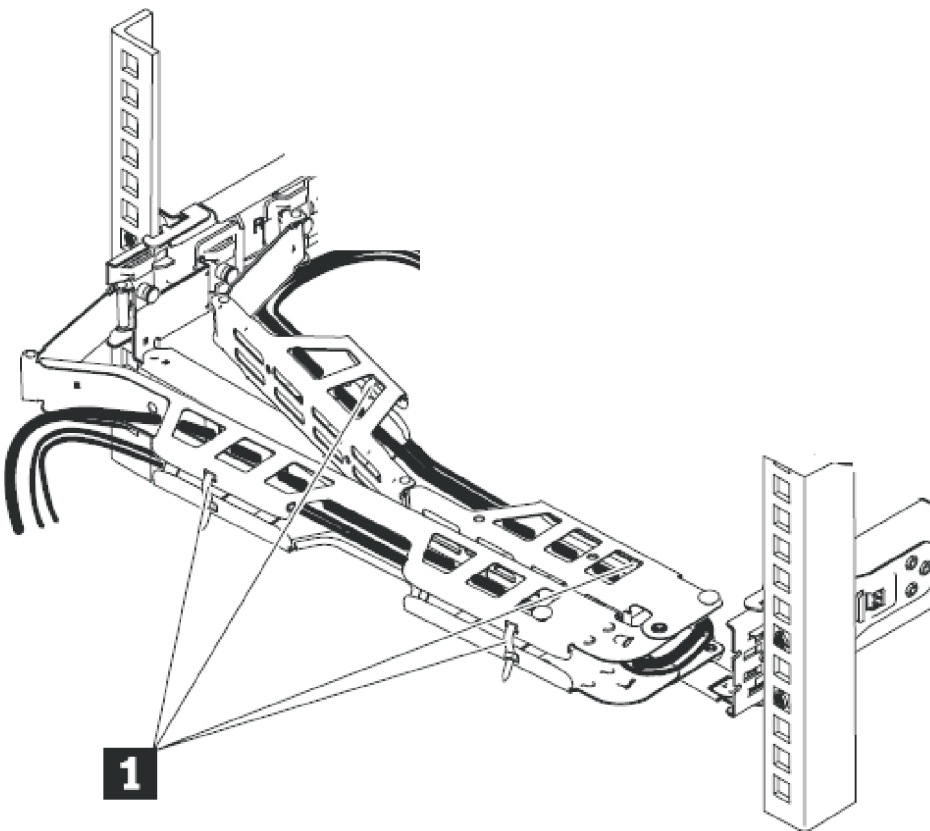
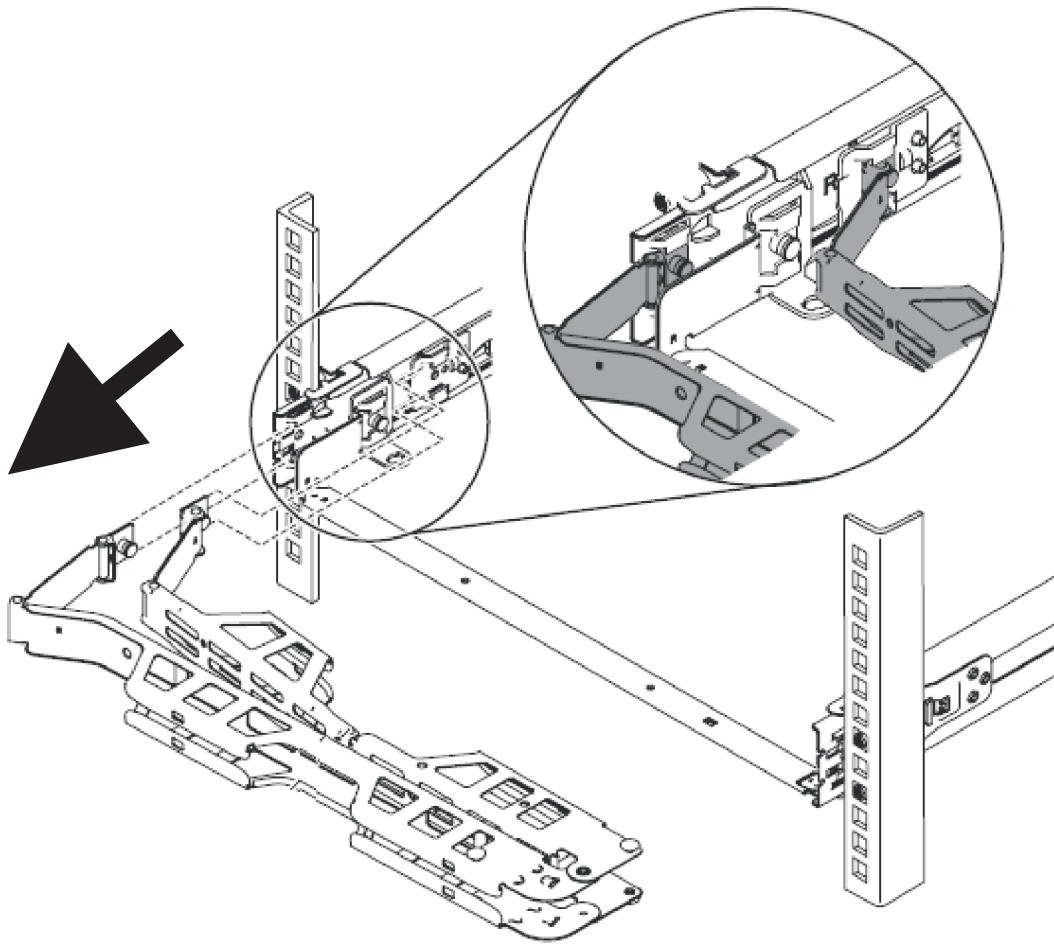


Figure 11. Removing the cables from the cable-management arm

5. Remove the cable-management arm from the support arm.
  - a. Remove the cable-management arm by pulling out both cable-management-arm pins while sliding the tabs out of the mounting location, as shown in Figure 12 on page 29.
  - b. Pull each cable-management-arm tab until it is free from the slide rail.



*Figure 12. Removing the cable-management arm*

6. At the rear of the rack, remove the cable-management-support arm.  
Pull the pin and remove each end of the cable-management-support arm from the slide rail, as shown by Figure 13 on page 30.

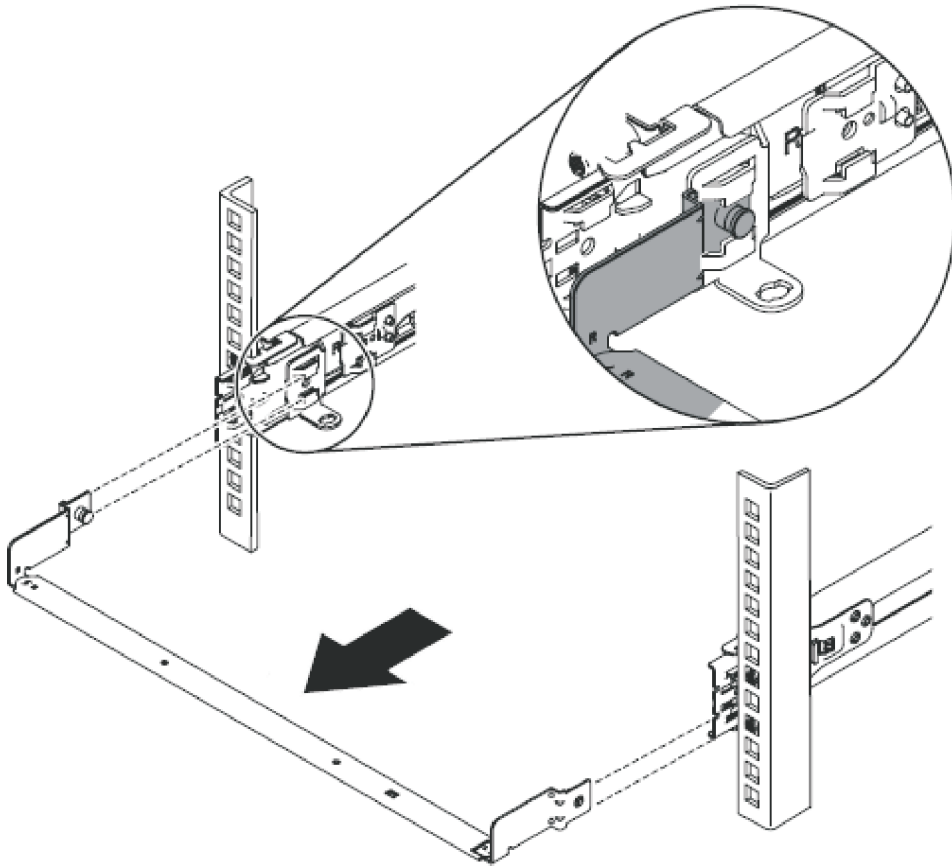


Figure 13. Removing the cable-management-support arm

## Replacing the cable-management arm

Replace the cable-management arm after you install the 2145-CG8 or 2145-CF8 node into the rack.

### Replacing the 2145-CG8 and 2145-CF8 cable-management arm

- 1 The SAN Volume Controller 2145-CG8 or 2145-CF8 use a cable-management arm to route and secure power cables and other cables.

Replace the cable-management arm after you replace the node in the rack.

To attach the cable-management arm, perform the following steps:

1. At the rear of the rack, install the cable-management-support arm.  
Insert both ends of the cable management support arm into the slide rail, as shown by Figure 14 on page 31.

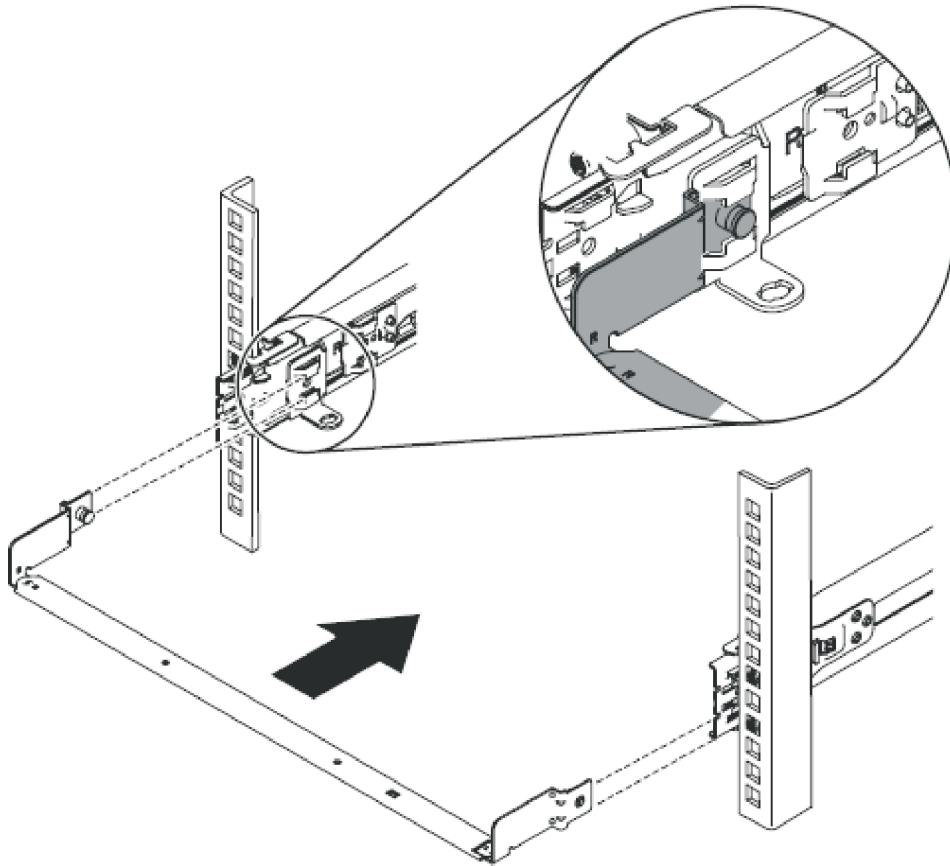


Figure 14. Installing the cable-management-support arm

2. Install the cable management arm, as shown in Figure 15 on page 32.

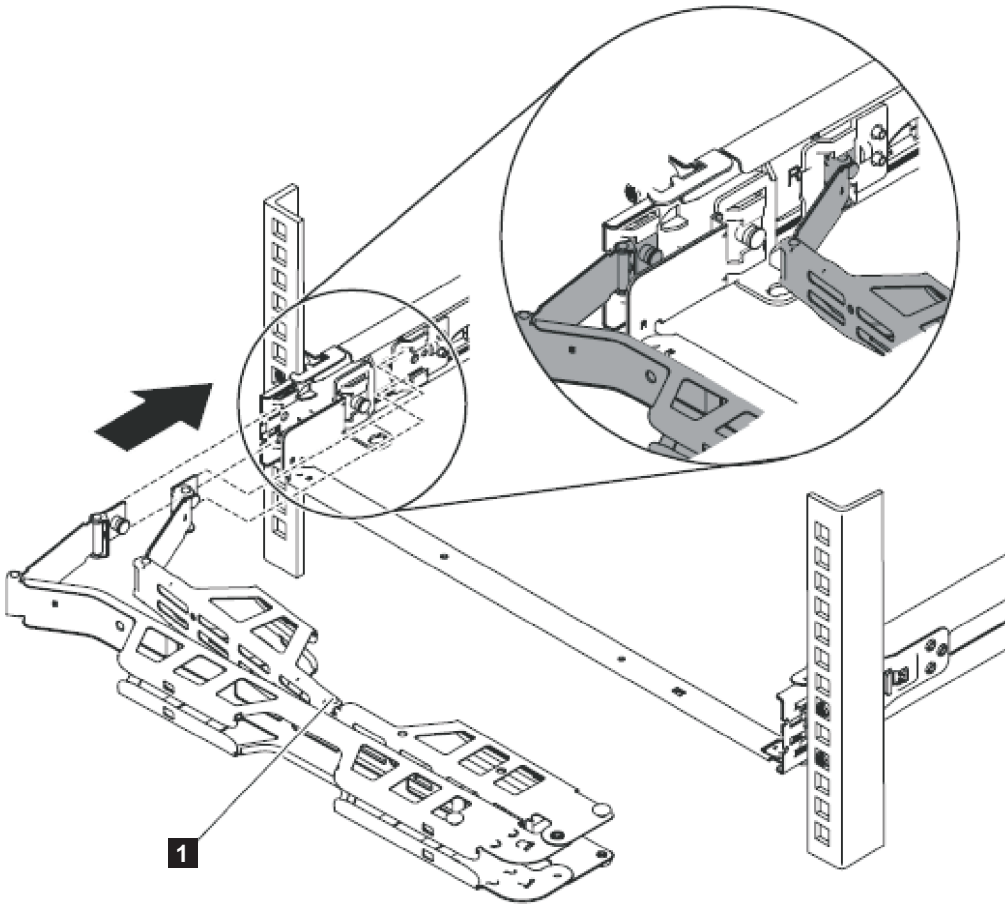


Figure 15. Installing the cable-management arm

**Note:** Make sure that the junctions on the arm, as shown by **1** in Figure 15, are facing the node. Place the cable management arm on the support arm. Pull out both cable-management-arm pins and then slide the cable-management-arm tabs into the slots on both the inside and the outside of the slide rail. Push the tabs until they snap into place.

3. Adjust the location of the cable management arm, as shown in Figure 16 on page 33.

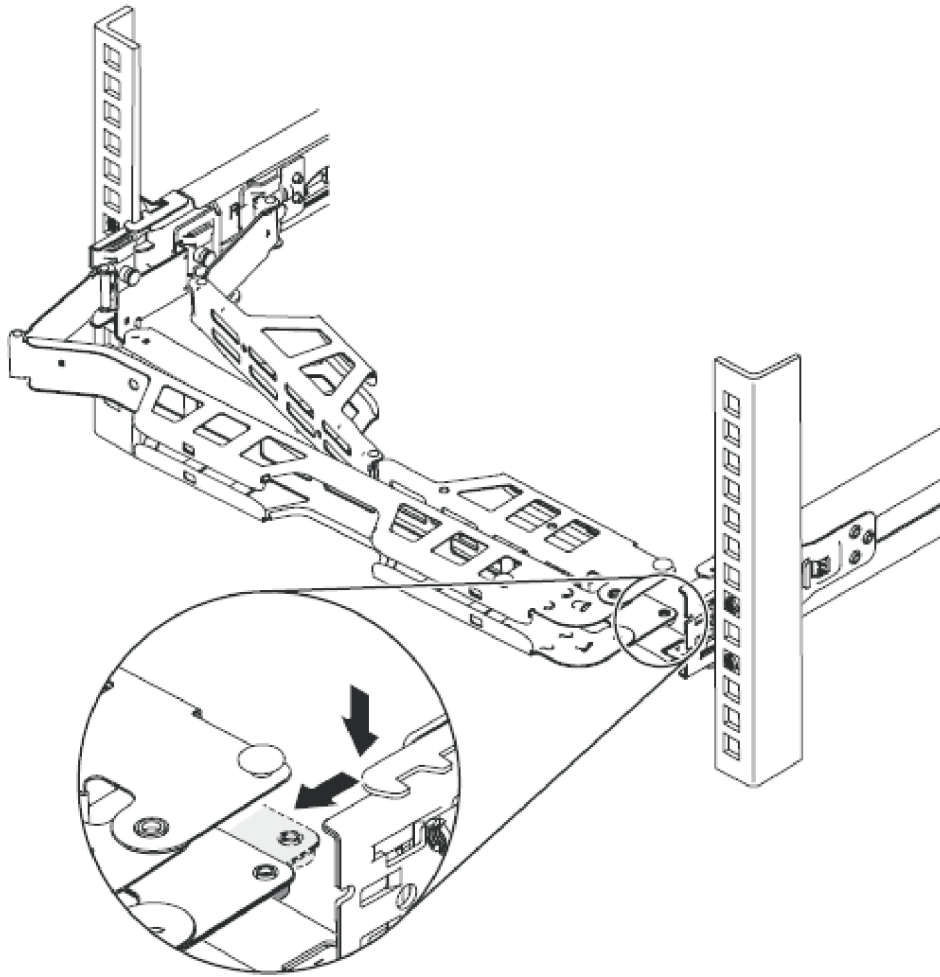


Figure 16. Adjusting the location of the cable-management arm

Ensure that the support rail is located between the 2 nailhead features.

4. Attach the power-and-serial-cable bundle, the Fibre Channel cables, and the one or two Ethernet cables to the rear of the node.
  - a. Route the data cables and power cords on the cable-management arm, as shown by **1** in Figure 17 on page 34.

If you attach the arm properly and route the cables properly, the arm swings into the rack as you pull the node forward in the rack, opening to allow the cables to follow the node toward the front of the rack. You can perform some service procedures without disconnecting the Fibre Channel cables and the Ethernet cables. You can also perform some service procedures without turning off the node or disconnecting the power cables.

- b. Secure the cables with cable ties or hook-and-loop fasteners.

**Note:** Leave some slack in all of the cables to avoid tension in the cables as the cable-management arm moves.

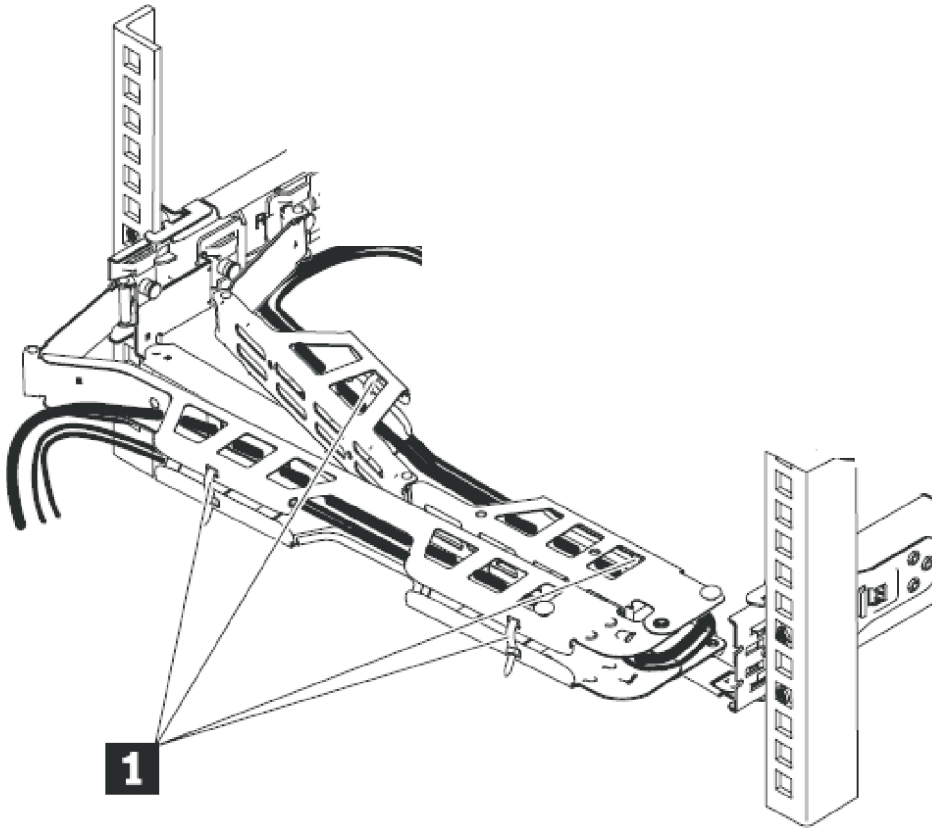


Figure 17. Connecting and routing the cables

5. Slide the node into the rack until it snaps into place.
6. Connect all cables to the back of the node.

## Removing the cable-retention bracket

The SAN Volume Controller models 2145-CG8, 2145-CF8, 2145-8A4, 2145-8G4, 2145-8F4, and 2145-8F2 provide a cable-retention bracket, which ensures that the node does not mistakenly become unplugged from the uninterruptible power supply.

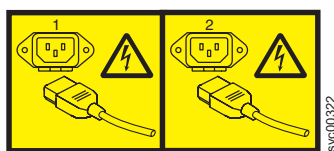
## Removing the SAN Volume Controller 2145-CG8 or 2145-CF8 cable-retention brackets

- | You can remove the two SAN Volume Controller 2145-CG8 or 2145-CF8 cable-retention brackets when
- | removing the power cords from the node.

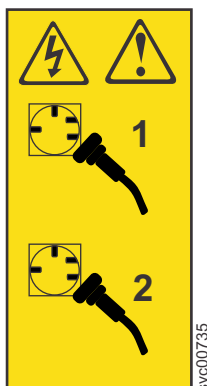


## DANGER

Multiple power cords. The product might be equipped with multiple power cords. To remove all hazardous voltages, disconnect all power cords. (L003)



or



or



The SAN Volume Controller 2145-CG8 or 2145-CF8 uses two toolless cable-retention brackets, one to retain each cable from the uninterruptible power-supply to one of the two SAN Volume Controller 2145-CG8 or 2145-CF8 power supplies, as shown in the following figure.

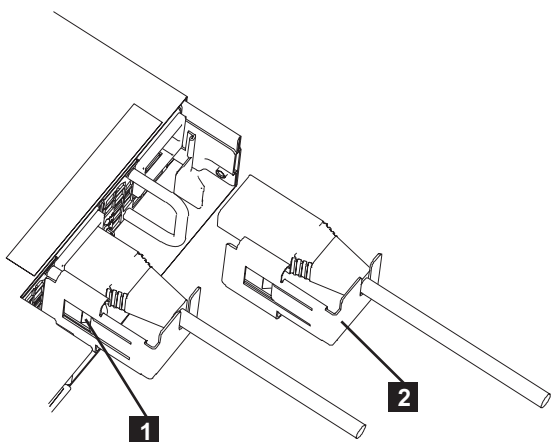


Figure 18. Cable-retention brackets

Each cable-retention bracket attaches to the back of the SAN Volume Controller 2145-CG8 or 2145-CF8 node. The brackets connect without screws.

This service action requires you to:

- Optionally, turn off the node.
- Disconnect the power cable that the retention bracket is on.

To remove a cable-retention bracket, perform these steps:

1. Read the safety information to which “Preparing to remove and replace parts” on page 26 refers.
2. Optional: Follow the procedure in MAP 5350 in the *IBM System Storage SAN Volume Controller Troubleshooting Guide* to verify that the node data is mirrored and synchronized, and that there are no dependent volumes before turning off the node.

**Important:** If you decide to hot swap a power supply, and that is why you are removing the cable retention bracket, use MAP 5350 to make all of the necessary checks that ensure that the partner node in the I/O group can take over all I/O group operations, if necessary, and that there are no dependent VDisks on the node. With the partner node available and no dependent VDisks on the node, you do not lose access to data if this node accidentally powers off.

3. Pull back the cable-management arm if you are working from the rear of the rack, or slide the node out of the rack to the fully extended rail position if you are working from the front.
4. When the node is completely turned off, from under the cable, carefully push the spring clip away from the cable to free the cable-retention bracket from the handle on the power supply.

The spring clip is shown by **1** in Figure 18 on page 35.

5. Pull both the bracket and the cable (**2**) away from the SAN Volume Controller 2145-CG8 or 2145-CF8 power supply.
6. Remove the cable-retention bracket from the power cord.

### Removing the SAN Volume Controller 2145-8A4 cable retention bracket

The cable-retention bracket attaches to the back of the SAN Volume Controller 2145-8A4 node. It is connected with one screw that already holds the rear plate of the power supply in place.

Remove the cable-retention bracket before you remove the SAN Volume Controller 2145-8A4 node from the rack.

To remove the bracket from the node, perform the following steps:

1. With the node turned off, unscrew the retaining screw **1**, shown in Figure 19, half a turn, but do not fully loosen or remove it.

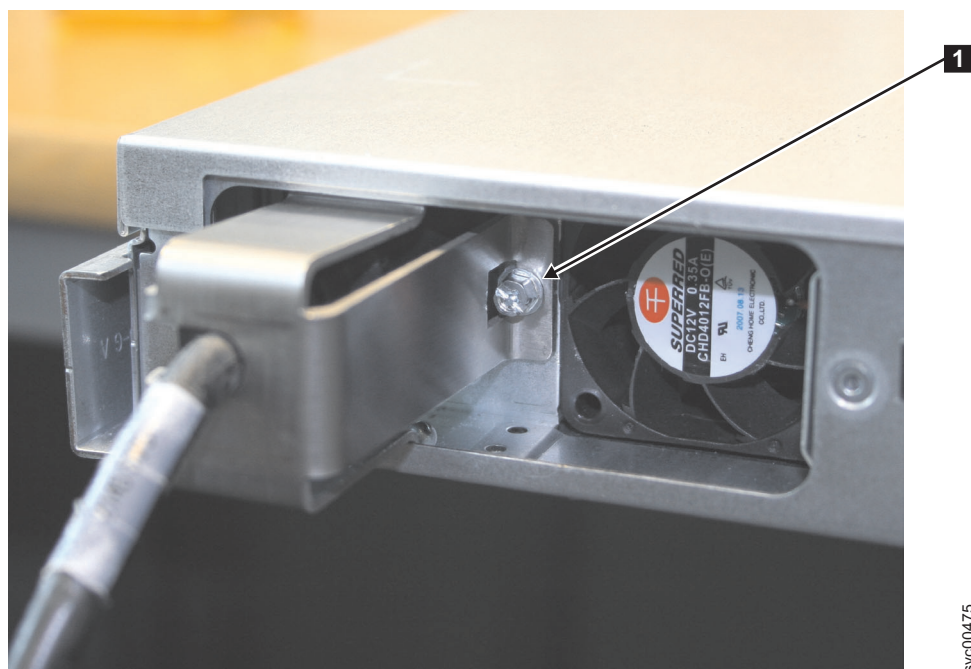


Figure 19. SAN Volume Controller 2145-8A4 with the cable-retention bracket installed

2. Slide the bracket to the right just enough to disengage the screw.
3. Squeeze the top and bottom of the bracket together slightly and turn the bracket at a slight angle to remove both lips of the bracket from the node frame.
4. Slide the bracket back onto the power cable and then slide it off the cable.
5. Remove the power cable.

## Removing the SAN Volume Controller 2145-8G4 cable retention bracket

The SAN Volume Controller 2145-8G4 uses one of two different cable-retention brackets. Depending on which bracket you have, use the appropriate instructions to remove and replace the cable-retention bracket.

- If your cable-retention bracket looks like the bracket in Figure 20, go to “Removing the SAN Volume Controller 2145-8G4 cable retention bracket - option A” on page 38.



Figure 20. SAN Volume Controller 2145-8G4 cable retention bracket - type A

- If your cable-retention bracket looks like the bracket in Figure 21, go to “Removing the SAN Volume Controller 2145-8G4 cable retention bracket - option B” on page 38.



Figure 21. SAN Volume Controller 2145-8G4 cable retention bracket - type B

### Removing the SAN Volume Controller 2145-8G4 cable retention bracket - option A:

The cable-retention bracket attaches to the back of the SAN Volume Controller 2145-8G4 node. It is connected with the screws that already hold the rear plate of the power supply in place.

Remove the cable-retention bracket before you remove the SAN Volume Controller 2145-8G4 node from the rack.

To remove the cable-retention bracket, perform these steps:

1. Carefully remove the two retaining screws on the right side of the power supply rear plate shown in Figure 22.

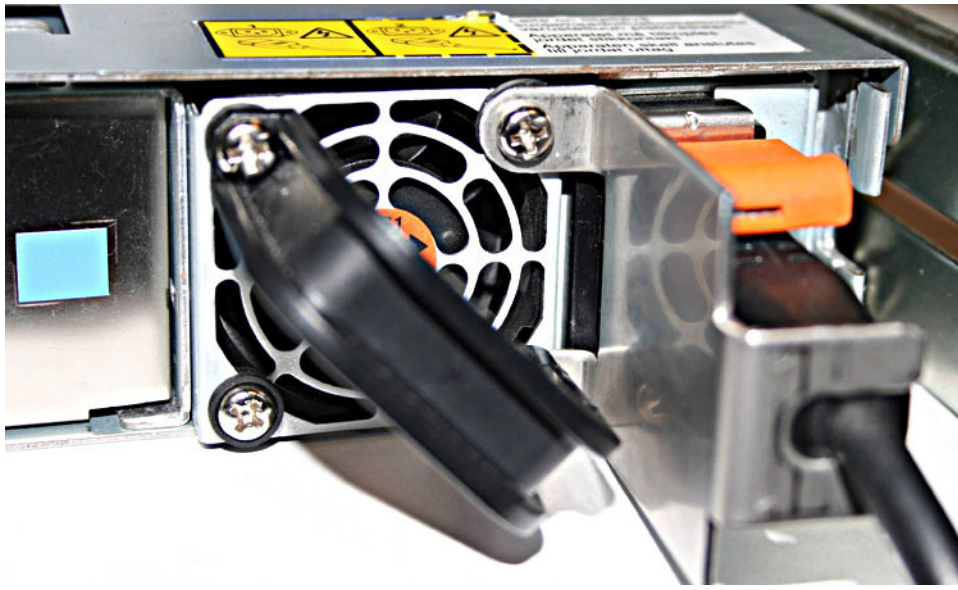


Figure 22. The SAN Volume Controller 2145-8G4 with the cable-retention bracket attached

2. Remove the bracket.
3. Replace the screws in the power supply rear plate.

### Removing the SAN Volume Controller 2145-8G4 cable retention bracket - option B:

Remove the cable-retention bracket before you remove the SAN Volume Controller 2145-8G4 from the rack.

To remove the cable-retention bracket, perform these steps:

1. Remove the securing bolt from the node side rail (shown in Figure 23 on page 39) next to the power supply.

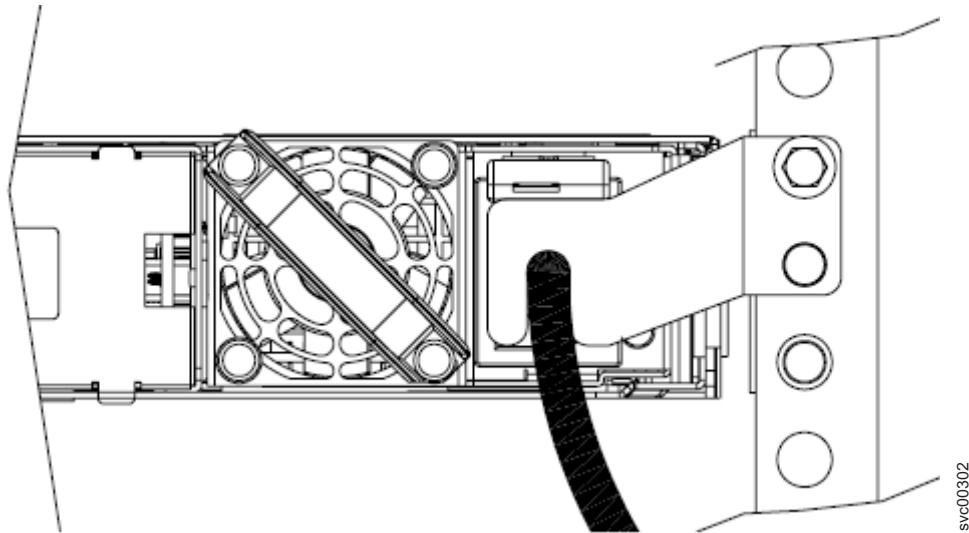


Figure 23. The SAN Volume Controller 2145-8G4 with cable-retention bracket type B attached

2. Remove the bracket.
3. Replace the bolt in the node side rail.

### Removing the SAN Volume Controller 2145-8F4 cable retention bracket

The cable-retention bracket attaches to the back of the SAN Volume Controller 2145-8F4 node. It is connected with one screw that already holds the rear plate of the power supply in place.

Remove the cable-retention bracket before you remove the SAN Volume Controller 2145-8F4 node from the rack.

To remove the bracket from the node, perform the following steps:

1. With the node turned off, pull the cable-retention bracket backward slightly to disengage the bracket from the slot at the rear of the support rail.
2. Slide the bracket out of the support rail and then move it to the right away from the cable.
3. Remove the power cable.

### Replacing the cable-retention bracket

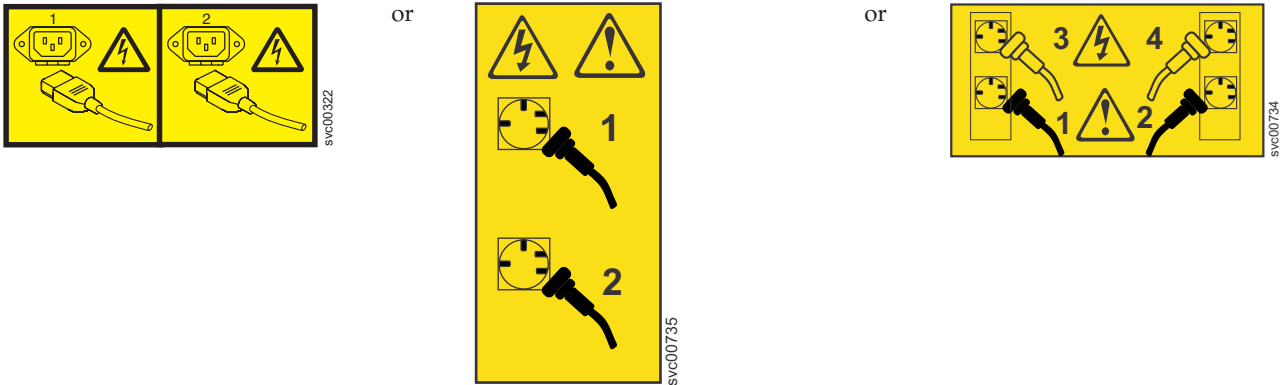
Replace the cable-retention bracket after you install SAN Volume Controller model 2145-8A4, 2145-8G4, or 2145-8F4 into the rack.

### Replacing the SAN Volume Controller 2145-CG8 or 2145-CF8 cable-retention brackets

- | Replace one of the two cable-retention brackets on the back of the SAN Volume Controller 2145-CG8 or
- | 2145-CF8 to anchor the power cord that runs from the uninterruptible power-supply to one of the two
- | SAN Volume Controller 2145-CG8 or 2145-CF8 power supplies.

## DANGER

Multiple power cords. The product might be equipped with multiple power cords. To remove all hazardous voltages, disconnect all power cords. (L003)



The SAN Volume Controller 2145-CG8 or 2145-CF8 uses two toolless cable-retention brackets, one to retain each cable from the uninterruptible power-supply to one of the two SAN Volume Controller 2145-CG8 or 2145-CF8 power supplies, as shown in Figure 24.

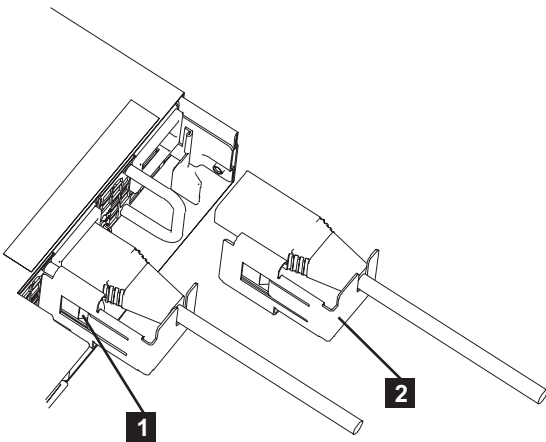


Figure 24. Cable-retention brackets

Each cable-retention bracket attaches to the back of the SAN Volume Controller 2145-CG8 or 2145-CF8 node. The brackets connect without screws.

To replace each cable-retention bracket, perform these steps:

1. If you removed the node from the rack, replace the node in the rack, as described in “Replacing the SAN Volume Controller in a rack” on page 55.
2. If you removed any Fibre Channel or Ethernet cables, use the labels you placed on each cable to replace all Fibre Channel and Ethernet cables in the same ports from which they were removed.
3. Loosely install the cable-retention bracket on a power cord by slipping the power cord into the notch on the rear of the bracket.
4. Align the cable-retention bracket on the power cord so that the bracket is to the left of the cord, as shown by **2** in Figure 24.

5. Align the power cord with the power connector on the power supply and the bracket with the power-supply handle.
6. Push the power cord into the power connector on the power supply.
7. Carefully push the bracket against the power-supply handle to force the spring clip ( **1** ) over the leading edge of the handle.
8. Lift the locking levers ( **1** in Figure 25) on the slide rails and push the server **2** all the way into the rack until it clicks into place.

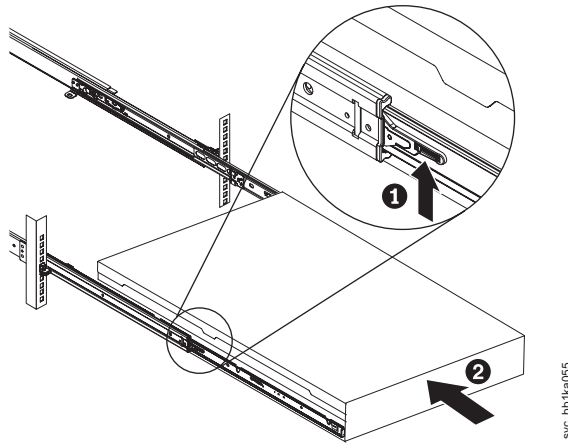


Figure 25. Raising the SAN Volume Controller 2145-CF8 or 2145-CG8 locking levers of the slide rails of the rack

9. Turn on the node.

## Replacing the SAN Volume Controller 2145-8A4 cable retention bracket

The cable-retention bracket attaches to the back of the SAN Volume Controller 2145-8A4 node. It is connected to the back of the node with the screw that already holds the rear plate of the power supply in place.

To attach the bracket, perform the following steps:

1. Insert the power cable in the node.
2. Unscrew the retaining screw **1** that is located next to the power cable socket three full turns, but do not fully remove the screw, as shown in Figure 26 on page 42.

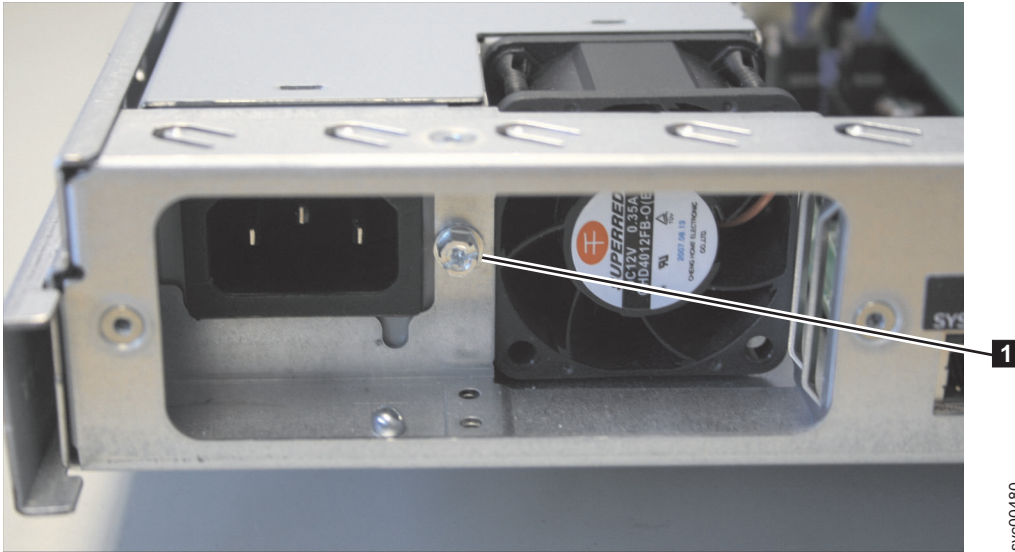


Figure 26. Retaining screw on the SAN Volume Controller 2145-8A4 node

3. Slide the bracket jaw over the power cable.
4. Slide the bracket down the cable until it is next to the power plug and slightly to the right of where it needs to be.
5. Place the bottom lip of the retention bracket in the node chassis as shown in Figure 27. Turn the bracket at a slight angle, squeeze the top and bottom together, and position the top lip in place behind the chassis backplane.

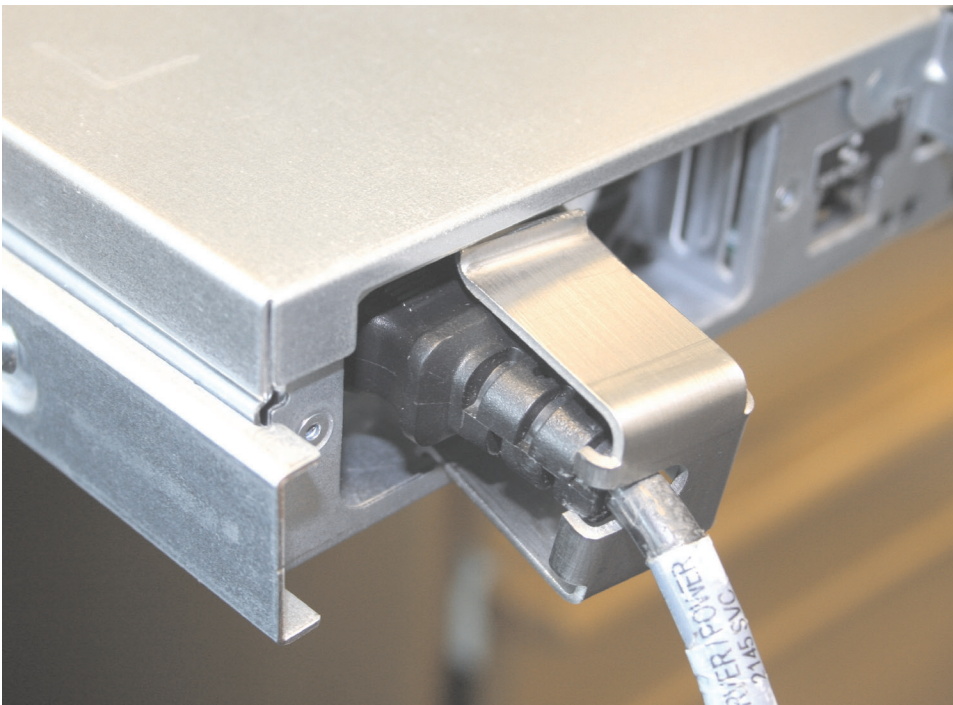


Figure 27. Installing the SAN Volume Controller 2145-8A4 cable retention bracket

6. Slide the bracket to the left until the side lip of the retention bracket goes behind the screw. Tighten the screw.



## Replacing the SAN Volume Controller 2145-8G4 cable retention bracket

The SAN Volume Controller 2145-8G4 uses one of two different cable-retention brackets. Depending on which bracket you have, use the appropriate instructions to remove and replace the cable-retention bracket.

- If your cable-retention bracket looks like the following, go to “Replacing the cable-retention bracket - option A.”

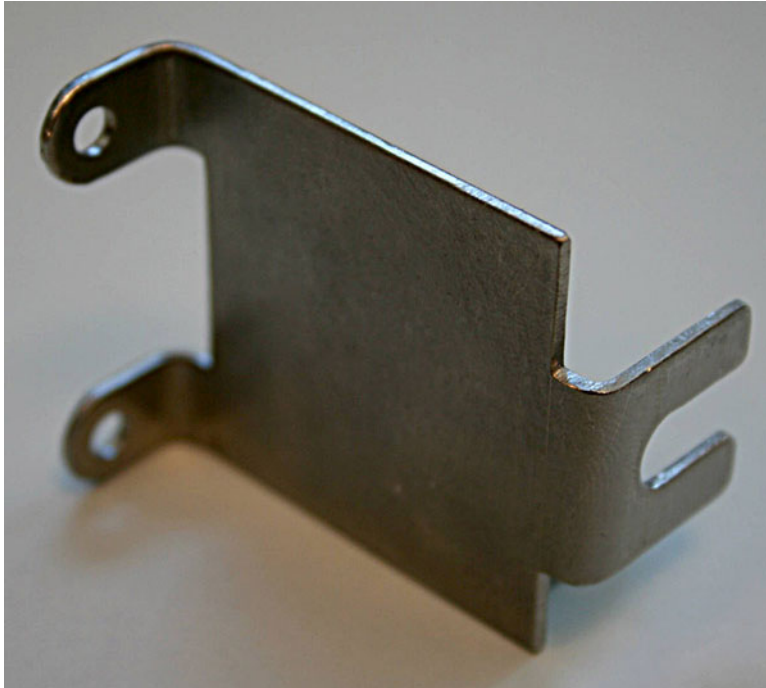


Figure 28. SAN Volume Controller 2145-8G4 cable retention bracket - type A

- If your cable-retention bracket looks like the following, go to “Replacing the cable-retention bracket - option B” on page 44.



Figure 29. SAN Volume Controller 2145-8G4 cable retention bracket - type B

### Replacing the cable-retention bracket - option A:

The cable-retention bracket attaches to the back of the SAN Volume Controller 2145-8G4 node. It is connected with the screws that already hold the rear plate of the power supply in place.

Replace the SAN Volume Controller 2145-8G4 cable retention bracket after you replace the node in the rack.

To attach the bracket to the rack rail, perform the following steps:

1. With the node powered off and the power cable removed, loosen and remove the two screws **1** on the right side of the rear plate that covers the power supply fan unit, as shown in Figure 30.

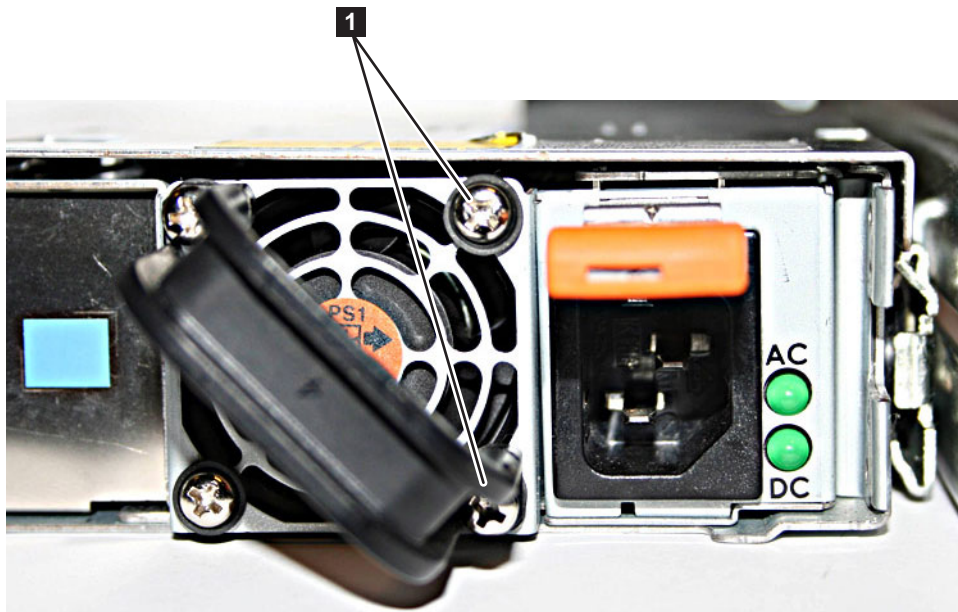


Figure 30. The SAN Volume Controller 2145-8G4 before you attach the cable-retention bracket

2. Rotate the power supply handle out of the way.
3. Insert the power cable.
4. Position the cable-retention bracket so that the power cable runs through the slot in the bracket. Align the screw holes in the bracket with the holes that are in the rear plate where you removed the two screws.
5. Replace the top screw.
6. Move the power supply handle back into place over the retention bracket, and replace the lower screw so that it holds the power supply handle, cable-retention bracket, and power supply rear plate in place.

#### Replacing the cable-retention bracket - option B:

Replace the SAN Volume Controller 2145-8G4 cable retention bracket after you replace the node in the rack.

Install the SAN Volume Controller 2145-8G4 cable retention bracket after you install the node in the rack.

To attach the bracket to the rack rail, perform the following steps:

1. Install the power cable into the power supply.

2. At the back of the cabinet, remove the securing bolt from the node side rail next to the power supply, as shown in Figure 31.

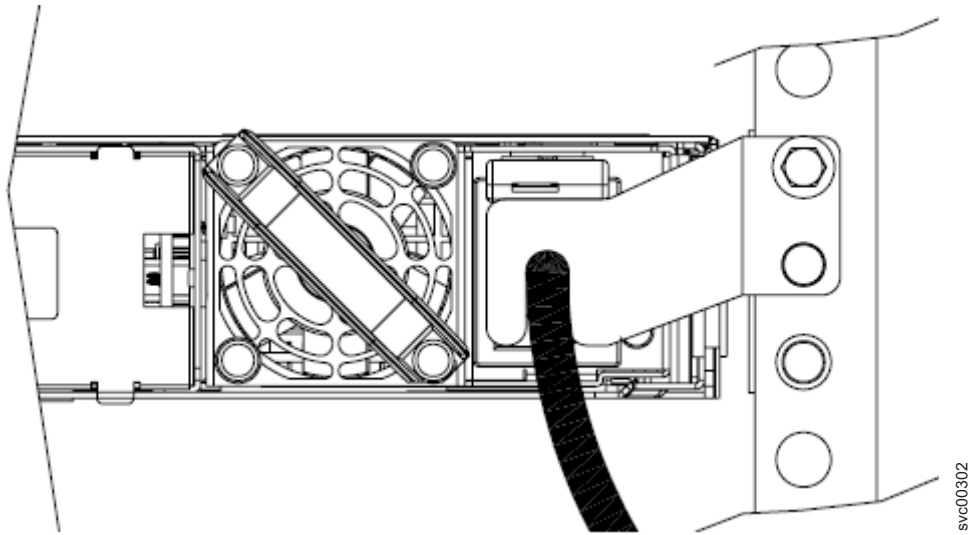


Figure 31. The SAN Volume Controller 2145-8G4 with cable-retention bracket type B attached

3. Slide the cable-retention bracket over the cable and position it over the side rail. Secure it in place using the original bolt.

### Replacing the SAN Volume Controller 2145-8F4 cable retention bracket

The cable-retention bracket attaches to the support rail at the back of the SAN Volume Controller 2145-8F4 node.

To attach the bracket, perform the following steps:

1. Insert the power cable in the node.
2. Insert the bracket onto the power cable so that the power cable is held by the slot on the end of the bracket. Figure 32 provides a view of how to align the cable-retention bracket with the cable.



Figure 32. Attaching the cable retention bracket to the SAN Volume Controller 2145-8F4 power cable

3. Position the cable-retention bracket against the support rail and attach the bracket onto the slot in the rear of the rail.

## Removing the SAN Volume Controller from a rack

During some service procedures, you might need to remove the SAN Volume Controller from a rack.

### Turning off the SAN Volume Controller node

When instructed to do so, shut down and turn off the SAN Volume Controller node before you remove and replace parts.

For information about how to turn off the SAN Volume Controller and retain access to its data, see MAP 5350 in the *IBM System Storage SAN Volume Controller Troubleshooting Guide*.

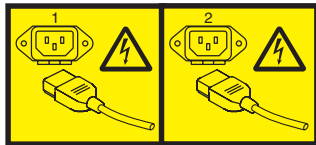
**Attention:** Unless host systems or Fibre Channel switches must be switched off for another reason, do not turn them off when you are servicing the SAN Volume Controller. Shut down the SAN Volume Controller before you remove the power cables. You can connect or disconnect Ethernet and Fibre Channel cables at any time.

### Removing the 2145-CG8 or 2145-CF8 from a rack

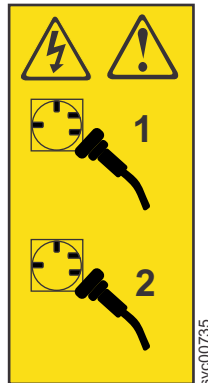
Use these instructions when you are prompted to remove a 2145-CG8 or 2145-CF8 from a rack.

#### DANGER

**Multiple power cords. The product might be equipped with multiple power cords. To remove all hazardous voltages, disconnect all power cords. (L003)**



or



or



**Attention:** Do not touch the power control switches on adjacent SAN Volume Controller nodes when you remove or install SAN Volume Controller nodes in a rack. Touching these switches on adjacent SAN Volume Controller nodes might cause those devices to turn off and make customer data inaccessible.

Use the reference numbers in parentheses at the end of each notice, such as (C003) for example, to find the matching translated notice in *IBM System Storage SAN Volume Controller Safety Notices*.

## DANGER

Observe the following precautions when working on or around your IT rack system:

- Heavy equipment—personal injury or equipment damage might result if mishandled.
- Always lower the leveling pads on the rack cabinet.
- Always install stabilizer brackets on the rack cabinet.
- To avoid hazardous conditions due to uneven mechanical loading, always install the heaviest devices in the bottom of the rack cabinet. Always install servers and optional devices starting from the bottom of the rack cabinet.
- Rack-mounted devices are not to be used as shelves or work spaces. Do not place objects on top of rack-mounted devices.



- Each rack cabinet might have more than one power cord. Be sure to disconnect all power cords in the rack cabinet when directed to disconnect power during servicing.
- Connect all devices installed in a rack cabinet to power devices installed in the same rack cabinet. Do not plug a power cord from a device installed in one rack cabinet into a power device installed in a different rack cabinet.
- An electrical outlet that is not correctly wired could place hazardous voltage on the metal parts of the system or the devices that attach to the system. It is the responsibility of the customer to ensure that the outlet is correctly wired and grounded to prevent an electrical shock.

(R001 part 1 of 2)

## DANGER

- Do not install a unit in a rack where the internal rack ambient temperatures will exceed the manufacturer's recommended ambient temperature for all your rack-mounted devices.
- Do not install a unit in a rack where the air flow is compromised. Ensure that air flow is not blocked or reduced on any side, front, or back of a unit used for air flow through the unit.
- Consideration should be given to the connection of the equipment to the supply circuit so that overloading of the circuits does not compromise the supply wiring or overcurrent protection. To provide the correct power connection to a rack, refer to the rating labels located on the equipment in the rack to determine the total power requirement of the supply circuit.
- (For sliding drawers) Do not pull out or install any drawer or feature if the rack stabilizer brackets are not attached to the rack. Do not pull out more than one drawer at a time. The rack might become unstable if you pull out more than one drawer at a time.
- (For fixed drawers) This drawer is a fixed drawer and must not be moved for servicing unless specified by the manufacturer. Attempting to move the drawer partially or completely out of the rack might cause the rack to become unstable or cause the drawer to fall out of the rack.

(R001 part 2 of 2)

### Important:

You can perform most service actions when the node is fully extended from the rack on its slide rails.

To remove the 2145-CG8 or 2145-CF8 from the rack, complete these steps:

1. Follow the procedure in MAP 5350 in the *IBM System Storage SAN Volume Controller Troubleshooting Guide* to verify that the node data is mirrored and synchronized, and that there are no dependent volumes before turning off the node.
2. Pull back the cable-management arm if you are working from the rear of the rack, or slide the node out of the rack to the fully extended rail position if you are working from the front.
3. To make sure that you can replace all cables in the same ports from which they were removed, record the position of all Fibre Channel and Ethernet cables; then remove all cables from the back of the node.
4. Pull forward the two white catches ( **1** in Figure 33) on the side of the rails, and lift up the front of the node very slightly.
5. Support the node from the front and the back and pull the node forward slightly and lift to remove the node from the back of the rails ( **3** ).

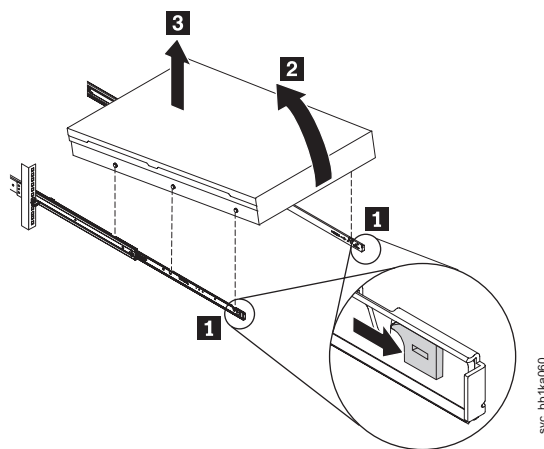


Figure 33. Removing the 2145-CG8 or 2145-CF8 from the rack

## Removing the SAN Volume Controller 2145-8A4 from a rack

Use these instructions when you are prompted to remove a SAN Volume Controller 2145-8A4 from a rack.

If the SAN Volume Controller is not already turned off, see "Turning off the SAN Volume Controller node" in the *IBM System Storage SAN Volume Controller Troubleshooting Guide* .

**Attention:** Do not touch the power control switches on adjacent SAN Volume Controller nodes when you remove or install SAN Volume Controller nodes in a rack. Touching these switches on adjacent SAN Volume Controller nodes might cause those devices to turn off and make customer data inaccessible.

- | Use the reference numbers in parentheses at the end of each notice, such as (C003) for example, to find
- | the matching translated notice in *IBM System Storage SAN Volume Controller Safety Notices*.

### DANGER

Observe the following precautions when working on or around your IT rack system:

- Heavy equipment—personal injury or equipment damage might result if mishandled.
- Always lower the leveling pads on the rack cabinet.
- Always install stabilizer brackets on the rack cabinet.
- To avoid hazardous conditions due to uneven mechanical loading, always install the heaviest devices in the bottom of the rack cabinet. Always install servers and optional devices starting from the bottom of the rack cabinet.
- Rack-mounted devices are not to be used as shelves or work spaces. Do not place objects on top of rack-mounted devices.



- Each rack cabinet might have more than one power cord. Be sure to disconnect all power cords in the rack cabinet when directed to disconnect power during servicing.
- Connect all devices installed in a rack cabinet to power devices installed in the same rack cabinet. Do not plug a power cord from a device installed in one rack cabinet into a power device installed in a different rack cabinet.
- An electrical outlet that is not correctly wired could place hazardous voltage on the metal parts of the system or the devices that attach to the system. It is the responsibility of the customer to ensure that the outlet is correctly wired and grounded to prevent an electrical shock.

(R001 part 1 of 2)

## DANGER

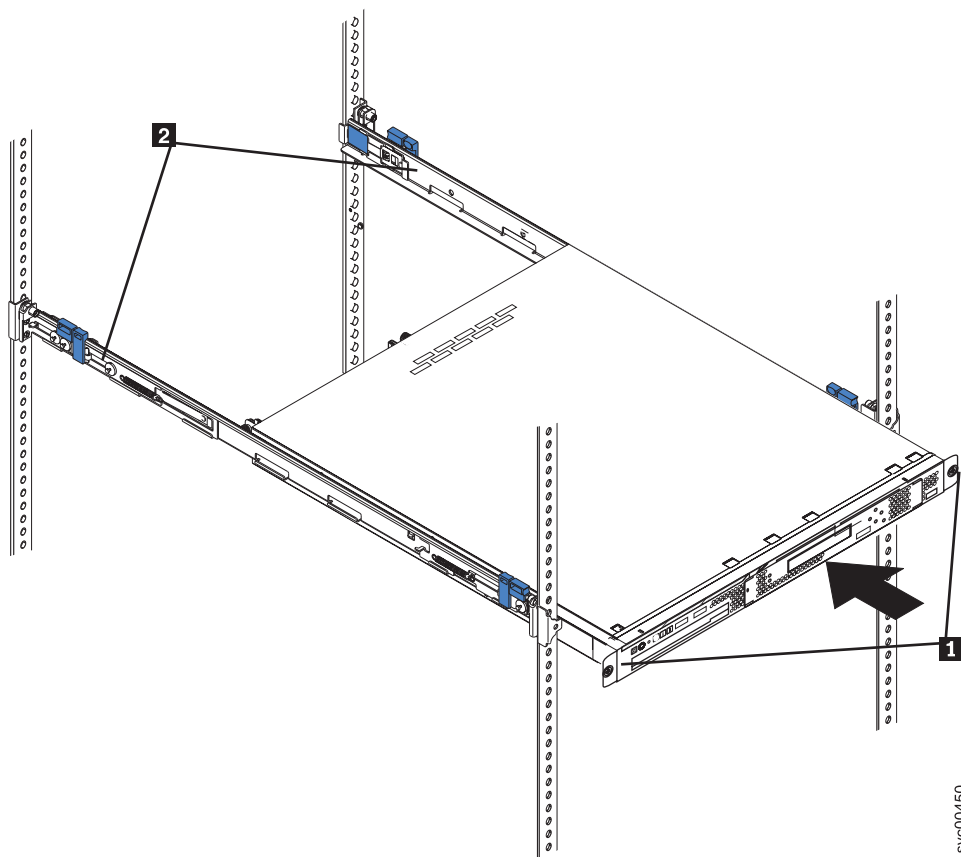
- Do not install a unit in a rack where the internal rack ambient temperatures will exceed the manufacturer's recommended ambient temperature for all your rack-mounted devices.
- Do not install a unit in a rack where the air flow is compromised. Ensure that air flow is not blocked or reduced on any side, front, or back of a unit used for air flow through the unit.
- Consideration should be given to the connection of the equipment to the supply circuit so that overloading of the circuits does not compromise the supply wiring or overcurrent protection. To provide the correct power connection to a rack, refer to the rating labels located on the equipment in the rack to determine the total power requirement of the supply circuit.
- (For sliding drawers) Do not pull out or install any drawer or feature if the rack stabilizer brackets are not attached to the rack. Do not pull out more than one drawer at a time. The rack might become unstable if you pull out more than one drawer at a time.
- (For fixed drawers) This drawer is a fixed drawer and must not be moved for servicing unless specified by the manufacturer. Attempting to move the drawer partially or completely out of the rack might cause the rack to become unstable or cause the drawer to fall out of the rack.

(R001 part 2 of 2)

To remove the SAN Volume Controller 2145-8A4 from a rack, complete these steps:

1. Remove the cable-retention bracket and disconnect the power cable from the node. See "Removing the cable-retention bracket" on page 34.
2. To make sure that you can replace all cables in the same ports from which they were removed, record the position of all Fibre Channel and Ethernet cables; then remove all cables from the back of the node.
3. Loosen the captive thumbscrews (**1** in Figure 34 on page 51) that secure the node to the front mounting flanges.





svc00450

Figure 34. The captive thumbscrews that secure the node and the shipping brackets

4. Pull the SAN Volume Controller 2145-8A4 node completely out of the slides.

### Removing the SAN Volume Controller 2145-8G4 from a rack

Use these instructions when you are prompted to remove a SAN Volume Controller 2145-8G4 from a rack.

If the SAN Volume Controller is not already turned off, see "Turning off the SAN Volume Controller node" in the *IBM System Storage SAN Volume Controller Troubleshooting Guide*.

**Attention:** Do not touch the power control switches on adjacent SAN Volume Controller nodes when you remove or install SAN Volume Controller nodes in a rack. Touching these switches on adjacent SAN Volume Controller nodes might cause those devices to turn off and make customer data inaccessible.

- | Use the reference numbers in parentheses at the end of each notice, such as (C003) for example, to find
- | the matching translated notice in *IBM System Storage SAN Volume Controller Safety Notices*.

## DANGER

Observe the following precautions when working on or around your IT rack system:

- Heavy equipment—personal injury or equipment damage might result if mishandled.
- Always lower the leveling pads on the rack cabinet.
- Always install stabilizer brackets on the rack cabinet.
- To avoid hazardous conditions due to uneven mechanical loading, always install the heaviest devices in the bottom of the rack cabinet. Always install servers and optional devices starting from the bottom of the rack cabinet.
- Rack-mounted devices are not to be used as shelves or work spaces. Do not place objects on top of rack-mounted devices.



- Each rack cabinet might have more than one power cord. Be sure to disconnect all power cords in the rack cabinet when directed to disconnect power during servicing.
- Connect all devices installed in a rack cabinet to power devices installed in the same rack cabinet. Do not plug a power cord from a device installed in one rack cabinet into a power device installed in a different rack cabinet.
- An electrical outlet that is not correctly wired could place hazardous voltage on the metal parts of the system or the devices that attach to the system. It is the responsibility of the customer to ensure that the outlet is correctly wired and grounded to prevent an electrical shock.

(R001 part 1 of 2)

## DANGER

- Do not install a unit in a rack where the internal rack ambient temperatures will exceed the manufacturer's recommended ambient temperature for all your rack-mounted devices.
- Do not install a unit in a rack where the air flow is compromised. Ensure that air flow is not blocked or reduced on any side, front, or back of a unit used for air flow through the unit.
- Consideration should be given to the connection of the equipment to the supply circuit so that overloading of the circuits does not compromise the supply wiring or overcurrent protection. To provide the correct power connection to a rack, refer to the rating labels located on the equipment in the rack to determine the total power requirement of the supply circuit.
- (For sliding drawers) Do not pull out or install any drawer or feature if the rack stabilizer brackets are not attached to the rack. Do not pull out more than one drawer at a time. The rack might become unstable if you pull out more than one drawer at a time.
- (For fixed drawers) This drawer is a fixed drawer and must not be moved for servicing unless specified by the manufacturer. Attempting to move the drawer partially or completely out of the rack might cause the rack to become unstable or cause the drawer to fall out of the rack.

(R001 part 2 of 2)

To remove the SAN Volume Controller 2145-8G4 from a rack, complete these steps:

1. Remove the cable-retention bracket and disconnect the power cable from the node. See “Removing the cable-retention bracket” on page 34.
2. To make sure that you can replace all cables in the same ports from which they were removed, record the position of all Fibre Channel and Ethernet cables; then remove all cables from the back of the node.
3. Slide the SAN Volume Controller 2145-8G4 node forward until it latches in the service position.
4. Position yourself to support the weight of the node when it is no longer held by the slides and then press the rear slide release latches (1 in Figure 35) on both sides of the SAN Volume Controller 2145-8G4 node.
5. Pull the node forward and remove it from the rack.

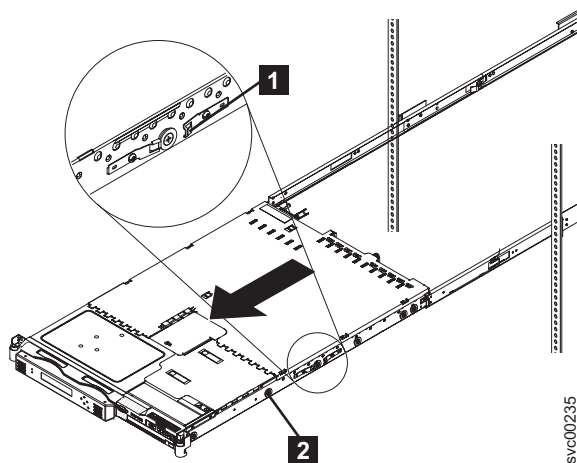


Figure 35. Removing the SAN Volume Controller 2145-8G4 from the rack

## Removing the SAN Volume Controller 2145-8F4 or SAN Volume Controller 2145-8F2 from a rack

Use these instructions when you are directed to remove a SAN Volume Controller 2145-8F4 or SAN Volume Controller 2145-8F2 from a rack.

If the SAN Volume Controller is not already turned off, see "Turning off the SAN Volume Controller node" in the *IBM System Storage SAN Volume Controller Troubleshooting Guide* .

**Attention:** Do not touch the power control switches on adjacent SAN Volume Controller nodes when you remove or install SAN Volume Controller nodes in a rack. Touching these switches on adjacent SAN Volume Controller nodes might cause those devices to turn off and make customer data inaccessible.

- | Use the reference numbers in parentheses at the end of each notice, such as (C003) for example, to find
- | the matching translated notice in *IBM System Storage SAN Volume Controller Safety Notices*.

## DANGER

Observe the following precautions when working on or around your IT rack system:

- Heavy equipment—personal injury or equipment damage might result if mishandled.
- Always lower the leveling pads on the rack cabinet.
- Always install stabilizer brackets on the rack cabinet.
- To avoid hazardous conditions due to uneven mechanical loading, always install the heaviest devices in the bottom of the rack cabinet. Always install servers and optional devices starting from the bottom of the rack cabinet.
- Rack-mounted devices are not to be used as shelves or work spaces. Do not place objects on top of rack-mounted devices.



- Each rack cabinet might have more than one power cord. Be sure to disconnect all power cords in the rack cabinet when directed to disconnect power during servicing.
- Connect all devices installed in a rack cabinet to power devices installed in the same rack cabinet. Do not plug a power cord from a device installed in one rack cabinet into a power device installed in a different rack cabinet.
- An electrical outlet that is not correctly wired could place hazardous voltage on the metal parts of the system or the devices that attach to the system. It is the responsibility of the customer to ensure that the outlet is correctly wired and grounded to prevent an electrical shock.

(R001 part 1 of 2)

## DANGER

- Do not install a unit in a rack where the internal rack ambient temperatures will exceed the manufacturer's recommended ambient temperature for all your rack-mounted devices.
- Do not install a unit in a rack where the air flow is compromised. Ensure that air flow is not blocked or reduced on any side, front, or back of a unit used for air flow through the unit.
- Consideration should be given to the connection of the equipment to the supply circuit so that overloading of the circuits does not compromise the supply wiring or overcurrent protection. To provide the correct power connection to a rack, refer to the rating labels located on the equipment in the rack to determine the total power requirement of the supply circuit.
- (For sliding drawers) Do not pull out or install any drawer or feature if the rack stabilizer brackets are not attached to the rack. Do not pull out more than one drawer at a time. The rack might become unstable if you pull out more than one drawer at a time.
- (For fixed drawers) This drawer is a fixed drawer and must not be moved for servicing unless specified by the manufacturer. Attempting to move the drawer partially or completely out of the rack might cause the rack to become unstable or cause the drawer to fall out of the rack.

(R001 part 2 of 2)

To remove the SAN Volume Controller 2145-8F4 or the SAN Volume Controller 2145-8F2 node from a rack, complete these steps:

1. To make sure that you can replace all cables in the same ports from which they were removed, record the position of all Fibre Channel and Ethernet cables; then remove all cables from the back of the node.
2. Unlatch the two latches on the front of the rack.
3. Pull the node forward and remove it from the rack.

## Replacing the SAN Volume Controller in a rack

You must use caution when you replace the SAN Volume Controller in a rack.

**Note:** If you have recently replaced a field-replaceable unit (FRU) in the node, the repaired node normally rejoins the cluster as soon as it is powered-on and has completed its self-tests. There are some exceptions to this, such as when a disk drive has been replaced, or when for some other reason the node has lost its identity or the integrity of its cluster metadata. Under these circumstances, the node goes offline. If you are performing this repair under fix procedures, those procedures will automatically restore the node to the cluster. If you are not performing the repair under fix procedures, you might be required to delete and add the node back into the cluster.

## DANGER

Observe the following precautions when working on or around your IT rack system:

- Heavy equipment—personal injury or equipment damage might result if mishandled.
- Always lower the leveling pads on the rack cabinet.
- Always install stabilizer brackets on the rack cabinet.
- To avoid hazardous conditions due to uneven mechanical loading, always install the heaviest devices in the bottom of the rack cabinet. Always install servers and optional devices starting from the bottom of the rack cabinet.
- Rack-mounted devices are not to be used as shelves or work spaces. Do not place objects on top of rack-mounted devices.



f2c00064

- Each rack cabinet might have more than one power cord. Be sure to disconnect all power cords in the rack cabinet when directed to disconnect power during servicing.
- Connect all devices installed in a rack cabinet to power devices installed in the same rack cabinet. Do not plug a power cord from a device installed in one rack cabinet into a power device installed in a different rack cabinet.
- An electrical outlet that is not correctly wired could place hazardous voltage on the metal parts of the system or the devices that attach to the system. It is the responsibility of the customer to ensure that the outlet is correctly wired and grounded to prevent an electrical shock.

(R001 part 1 of 2)

## DANGER

- Do not install a unit in a rack where the internal rack ambient temperatures will exceed the manufacturer's recommended ambient temperature for all your rack-mounted devices.
- Do not install a unit in a rack where the air flow is compromised. Ensure that air flow is not blocked or reduced on any side, front, or back of a unit used for air flow through the unit.
- Consideration should be given to the connection of the equipment to the supply circuit so that overloading of the circuits does not compromise the supply wiring or overcurrent protection. To provide the correct power connection to a rack, refer to the rating labels located on the equipment in the rack to determine the total power requirement of the supply circuit.
- (For sliding drawers) Do not pull out or install any drawer or feature if the rack stabilizer brackets are not attached to the rack. Do not pull out more than one drawer at a time. The rack might become unstable if you pull out more than one drawer at a time.
- (For fixed drawers) This drawer is a fixed drawer and must not be moved for servicing unless specified by the manufacturer. Attempting to move the drawer partially or completely out of the rack might cause the rack to become unstable or cause the drawer to fall out of the rack.

(R001 part 2 of 2)

## Replacing the 2145-CG8 or 2145-CF8 in a rack

Follow these instructions when you are prompted to replace the 2145-CG8 or 2145-CF8.

**Attention:** Do not touch the power control switches on adjacent SAN Volume Controller nodes when you remove or install SAN Volume Controller nodes in a rack. Touching these switches on adjacent SAN Volume Controller nodes might cause those devices to turn off and make customer data inaccessible.

- Use the reference numbers in parentheses at the end of each notice, such as (C003) for example, to find the matching translated notice in *IBM System Storage SAN Volume Controller Safety Notices*.

Perform the following steps to replace the 2145-CG8 or 2145-CF8 in a rack:

1. Place the 2145-CG8 or 2145-CF8 in the rails on the rack.
  - a. Pull the slide rails forward ( **1** in Figure 36) until they click twice into place.
  - b. Carefully lift the server and tilt it into position over the slide rails so that the rear nail heads **2** on the server line up with the rear slots **3** on the slide rails.
  - c. Slide the server down until the rear nail heads slip into the two rear slots; then slowly lower the front of the server **4** until the other nail heads slip into the other slots on the slide rails.
  - d. Verify that the front latch **5** slides over the nail heads.

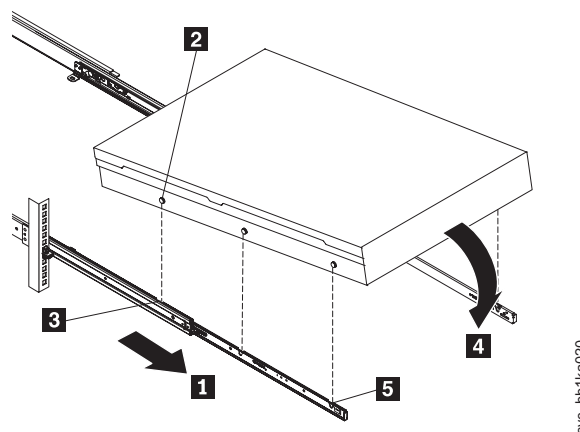


Figure 36. Installing the 2145-CG8 or 2145-CF8 node in the slide rails of the rack

- Lift the locking levers ( **1** in Figure 37) on the slide rails and push the server **2** all the way into the rack until it clicks into place.

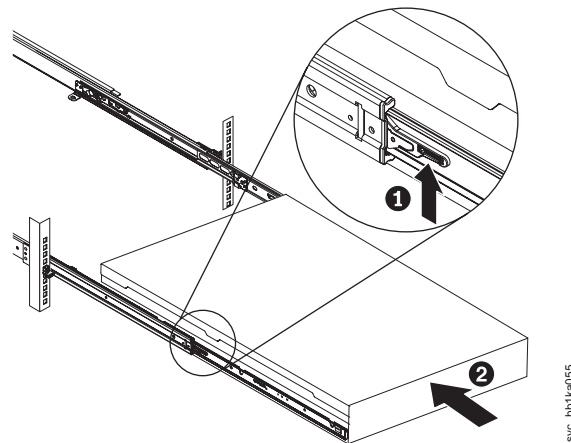


Figure 37. Raising the 2145-CG8 or 2145-CF8 locking levers of the slide rails of the rack

- Replace the cable-management arm. See “Replacing the cable-management arm” on page 30.
- Reconnect the Fibre Channel and Ethernet cables. Ensure that you replace the Fibre Channel and Ethernet cables in the same ports from which they were removed.
- Connect the power cable to the node and replace the cable-retention bracket. See “Replacing the cable-retention bracket” on page 39.
- Replace the cable-management arm, as described in “Replacing the cable-management arm” on page 30.
- Turn on the node.

### Replacing the SAN Volume Controller 2145-8A4 in a rack

Follow these instructions when you are prompted to replace the SAN Volume Controller 2145-8A4.

**Attention:** Do not touch the power control switches on adjacent SAN Volume Controller nodes when you remove or install SAN Volume Controller nodes in a rack. Touching these switches on adjacent SAN Volume Controller nodes might cause those devices to turn off and make customer data inaccessible.

Perform the following steps to replace the SAN Volume Controller 2145-8A4 node in a rack:

- Align the node on the slide rails and push the node fully into the rack. Secure the node to the front mounting flanges with the captive thumbscrews ( **1** in Figure 38 on page 59).



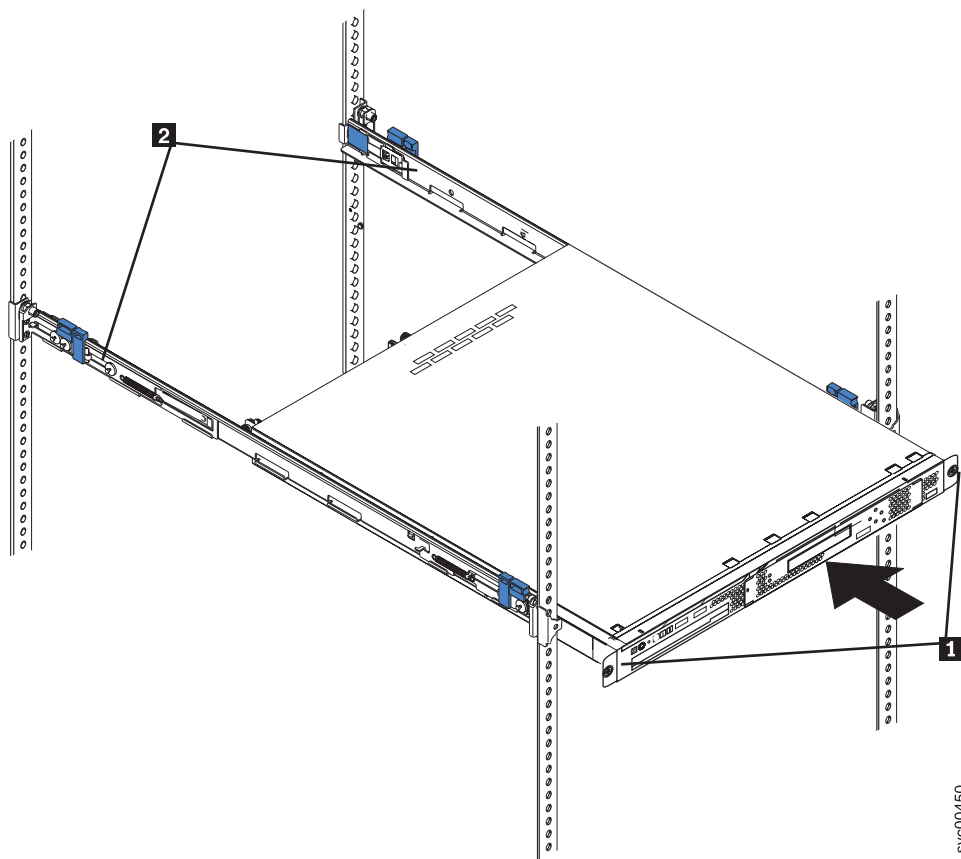


Figure 38. The captive thumbscrews that secure the node and the shipping brackets

2. Reconnect the Fibre Channel and Ethernet cables. Ensure that you replace the Fibre Channel and Ethernet cables in the same ports from which they were removed.
3. Replace the cable-retention bracket. See “Replacing the cable-retention bracket” on page 39.

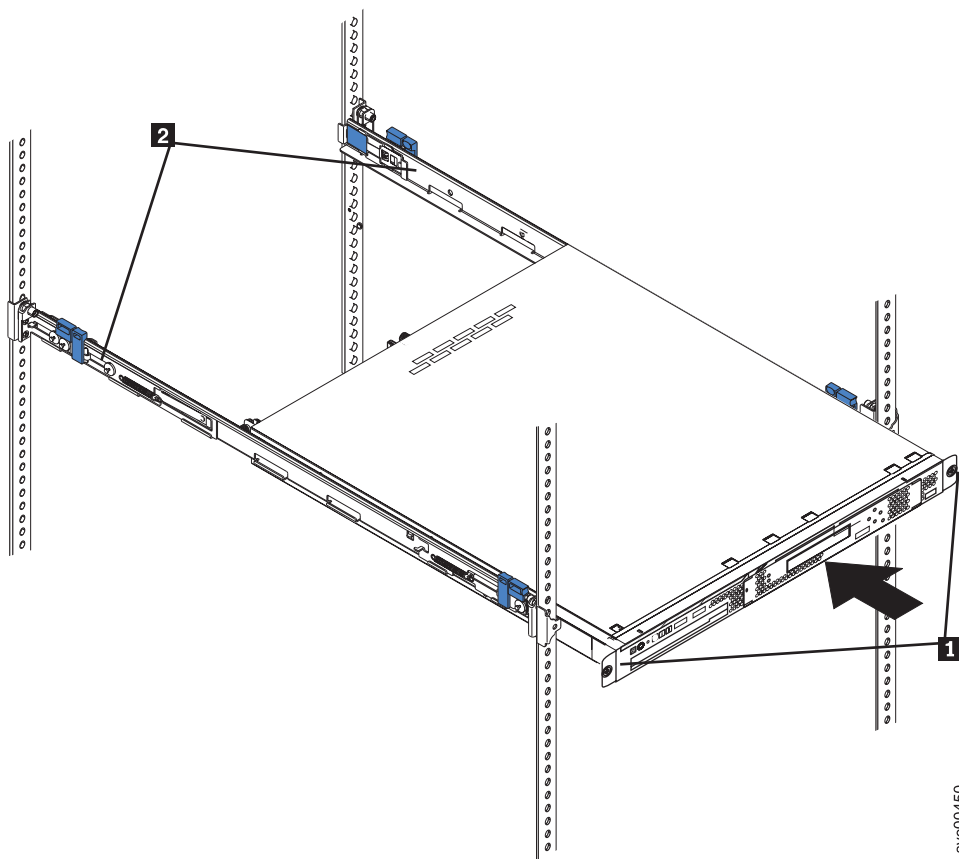
### Replacing the SAN Volume Controller 2145-8G4 in a rack

Follow these instructions when you are prompted to replace the SAN Volume Controller 2145-8G4.

**Attention:** Do not touch the power control switches on adjacent SAN Volume Controller nodes when you remove or install SAN Volume Controller nodes in a rack. Touching these switches on adjacent SAN Volume Controller nodes might cause those devices to turn off and make customer data inaccessible.

Perform the following steps to replace the SAN Volume Controller 2145-8G4 in a rack:

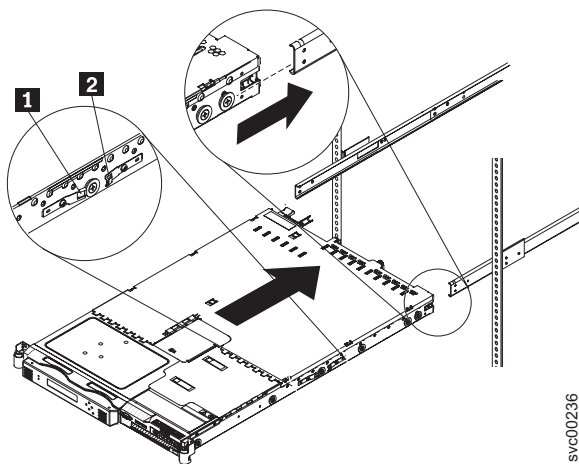
1. Fully extend the support slides.
2. Align the node on the slide rails and push the node fully into the rack. Secure the node to the front mounting flanges with the captive thumbscrews ( **1** in Figure 39 on page 60).



svc00450

Figure 39. The captive thumbscrews that secure the node and the shipping brackets

- Align the two rear wheels on the node with the opening in the slides and then push the node into the slides until the rear slide release latches ( **2** in Figure 40) click into place, locking the node in the slides.



svc00236

Figure 40. Aligning the SAN Volume Controller 2145-8G4 with the rack slides

- Reconnect the Fibre Channel and Ethernet cables. Ensure that you replace the Fibre Channel and Ethernet cables in the same ports from which they were removed.

5. Connect the power cable to the node and replace the cable-retention bracket. See “Replacing the cable-retention bracket” on page 39.
6. Turn on the node.

## Replacing the SAN Volume Controller 2145-8F4 or SAN Volume Controller 2145-8F2 in a rack

Follow these instructions when you are prompted to replace the SAN Volume Controller 2145-8F4 or the SAN Volume Controller 2145-8F2 in a rack.

**Attention:** Do not touch the power control switches on adjacent SAN Volume Controller nodes when you remove or install SAN Volume Controller nodes in a rack. Touching these switches on adjacent SAN Volume Controller nodes might cause those devices to turn off and make customer data inaccessible.

Perform the following steps to replace the SAN Volume Controller 2145-8F4 or the SAN Volume Controller 2145-8F2 in the rack:

1. Slide the SAN Volume Controller 2145-8F4 or the SAN Volume Controller 2145-8F2 node into the rack.
2. Latch the two latches on the front of the rack to attach the node to the rack. ( **1** in Figure 41).

**Note:** The front of the rail assembly looks different from the front, as you can see in Figure 41.

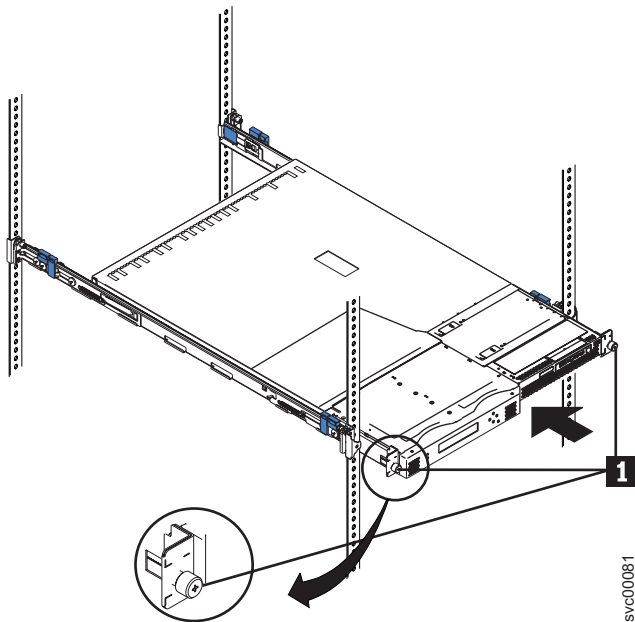


Figure 41. Sliding the SAN Volume Controller 2145-8F4 into the rack

3. Reconnect the Fibre Channel and Ethernet cables. Ensure that you replace the Fibre Channel and Ethernet cables in the same ports from which they were removed.
4. Connect the power cable to the node and replace the cable-retention bracket. See “Replacing the cable-retention bracket” on page 39.
5. Turn on the node.

## Removing the support rails for a SAN Volume Controller

The SAN Volume Controller support rails can be removed if you need to move the SAN Volume Controller.

## Removing the 2145-CG8 or 2145-CF8 support rails

This topic describes how to remove the 2145-CG8 or 2145-CF8 support rails.

Perform the following steps to remove the 2145-CG8 or 2145-CF8 support rails:

1. Remove the 2145-CG8 or 2145-CF8 node, as described in “Removing the 2145-CG8 or 2145-CF8 from a rack” on page 46.
2. Remove the cable-management arm, as described in “Removing the 2145-CG8 and 2145-CF8 cable-management arm” on page 26.
3. Remove the front end of the slide rails, as shown in Figure 42.

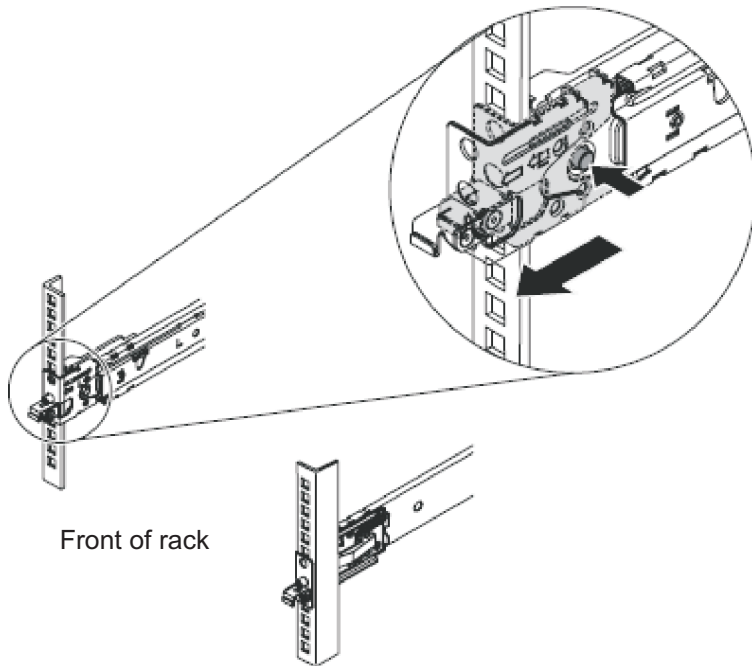


Figure 42. Removing the front end of the slide rails

To remove the slide rails from the front of the rack, push up the front tab and slide out the front latch. Press the blue button and lift up slightly on the front of the slide rail. Remove the slide rail from the rack.

4. Remove the rear end of the slide rails, as shown in Figure 42.

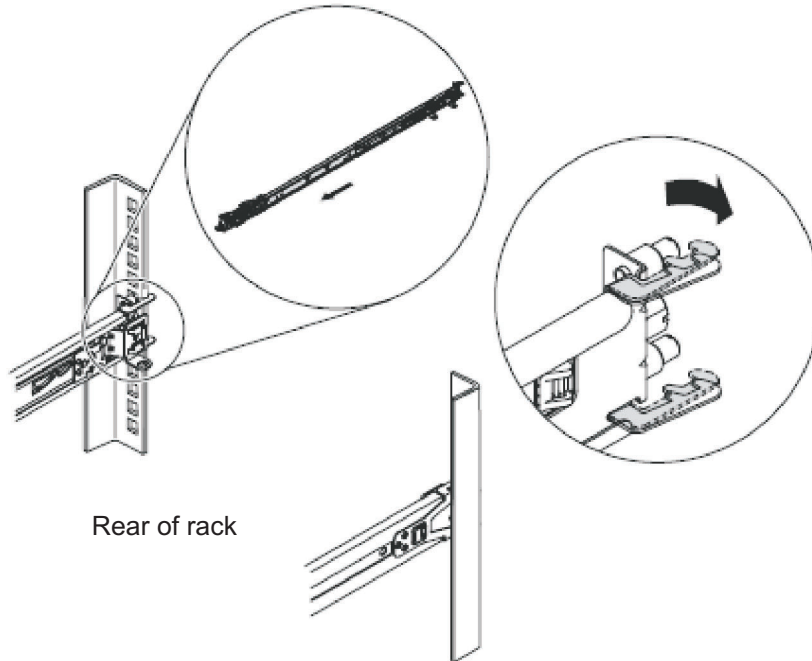


Figure 43. Removing the rear end of the slide rails

To disengage the slide rails from the rear of the rack, pull the slide rail forward to unlatch the rear hooks and take the rails out of the rack.

### Removing the support rails for the SAN Volume Controller 2145-8A4

You can remove the support rails that hold the SAN Volume Controller 2145-8A4 node.

To remove the SAN Volume Controller 2145-8A4 support rails, perform the following steps:

1. Remove the M6 screw **1** from the front and rear brackets.

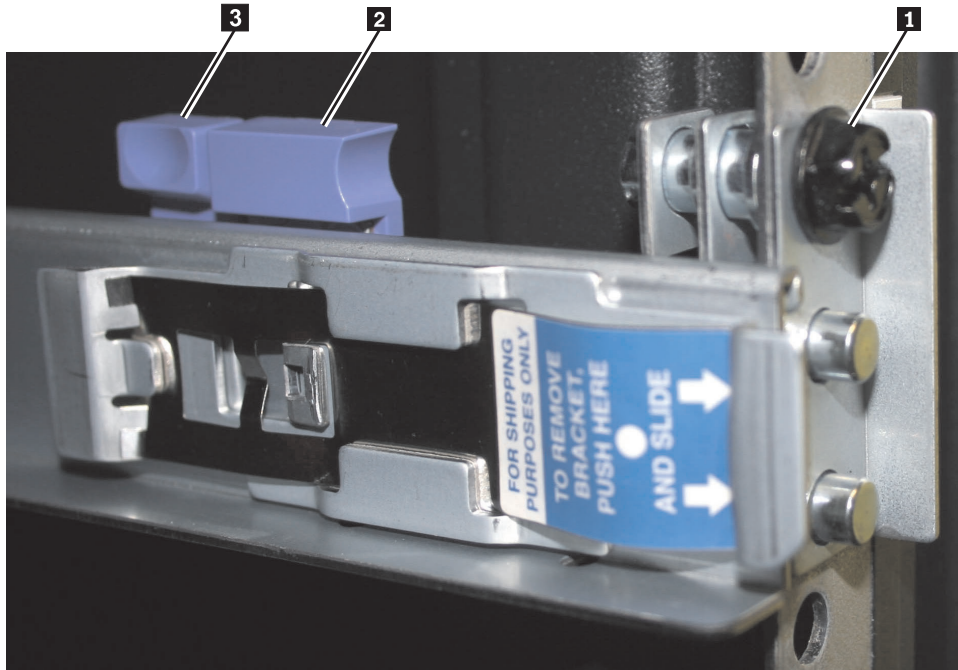


Figure 44. The rail-adjustment bracket and the release tab on the rear rail-locking carrier

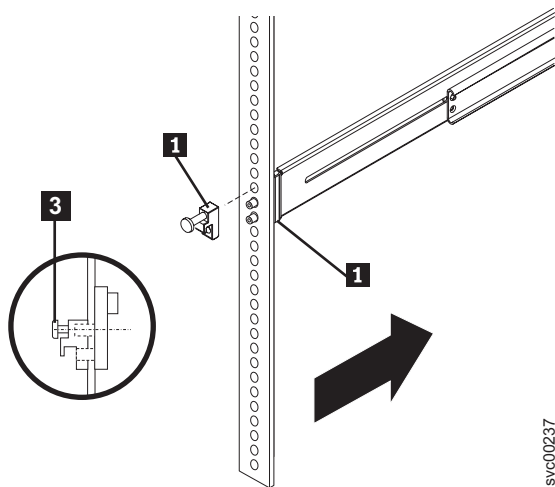
2. Starting from the rear, press the release tab **3** backwards, away from the rail. Push the rail-adjustment bracket **2** toward the center of the rack until it snaps into place. Lift the tab that secures the rear of the slide rail to the rear mounting flange.
3. Repeat step 2 to remove the front bracket and then remove the support rail from the rack.
4. Repeat steps 1 through 3 for the other support rail.

### Removing the support rails for the SAN Volume Controller 2145-8G4

This topic describes how to remove the SAN Volume Controller 2145-8G4 support rails.

Perform the following steps to remove the SAN Volume Controller 2145-8G4 support rails:

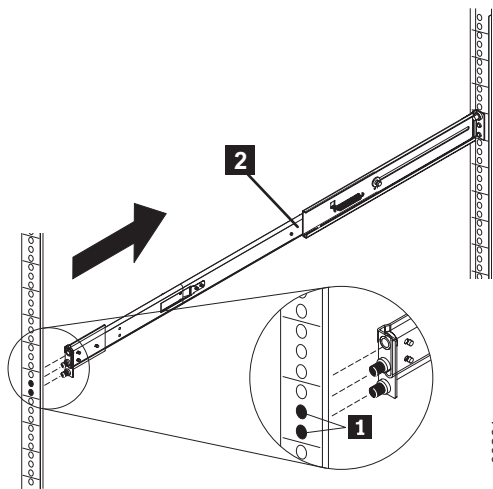
1. Loosen and remove the captive screw **3** and latch strike **1** from the left rear mounting flange, as shown in Figure 45 on page 65, to release the slide rail **2**. Loosen and remove the captive screw from the right rear mounting flange and release the other slide rail in the same way.



svc00237

Figure 45. Removing the latch strike from the front of the slide rail

2. Loosen and remove the captive screw from the front of the right rail and then remove the latch strike. Remove the captive screw and latch strike from the front of the left rail in the same way.
3. Push the rail pins **1** out of the front rack mounting flange, as shown in Figure 46, to shorten the right slide rail and remove it from the front flange. Then pull the right slide rail forward to remove the slide rail from the rear rack mounting flange. Remove the left slide rail in the same way.



svc00261

Figure 46. Removing the right slide rail from the front of the rack

## Removing the support rails for the SAN Volume Controller 2145-8F4 or SAN Volume Controller 2145-8F2

This topic describes how to remove the SAN Volume Controller 2145-8F4 or SAN Volume Controller 2145-8F2 support rails.

Perform the following steps to remove the SAN Volume Controller support rails:

1. Go to the front of the left support rail.
2. Put your left index finger onto the back edge of the latch lever **2** and your left thumb on the front edge of the latch lock **1**, as shown in Figure 47 on page 66.

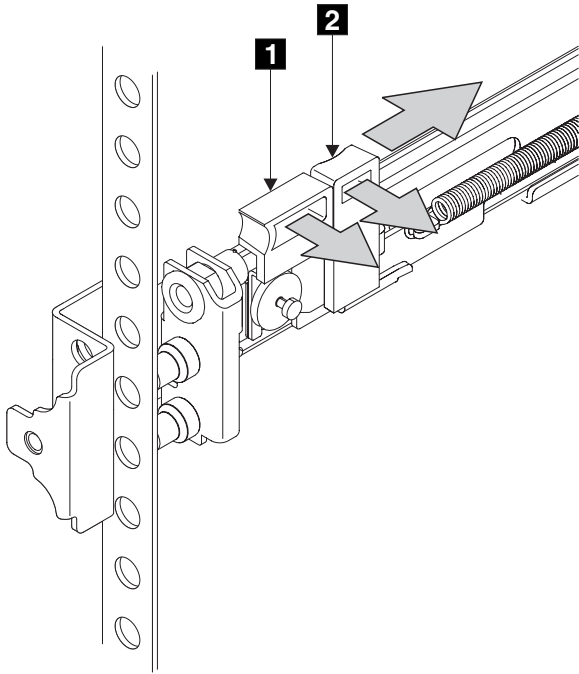


Figure 47. The left support rail for the SAN Volume Controller

3. Gently move the latch lock inward and push the latch-lock carrier toward the back of the rack until it latches onto the rail.
4. Pull the rail out from the front rack-mounting flange.
5. Repeat the action at the back of the rail.
6. Remove the rail from the rack.
7. Repeat steps 2 on page 65 through 6 for the right support rail.

## Installing the support rails for a SAN Volume Controller

You must install the support rails that hold the SAN Volume Controller.

The instructions for installing the SAN Volume Controller are found in the topics that follow.

### Installing the 2145-CG8 or 2145-CF8 support rails

Install the support rails that hold the 2145-CG8 or 2145-CF8 in the rack.

#### Notes:

- With some types of racks, you might find it helpful to remove the rack doors and side panels to provide easier access during installation.
- The slide rails are marked (RIGHT / FRONT and LEFT / FRONT) for proper placement on the rack flanges.
- The front and back of each rail has a spring-loaded rail-locking carrier, which can be locked in the open position and then released when the rail is in the rack.

When you are ready to install the support rails, use the customer's hardware-location chart and the Electronic Industries Alliance (EIA) positions on the rack to determine where in the rack that the SAN Volume Controller node is to be installed.

Perform the following steps to install the support rails:



1. Verify that you have all the items that you need for installing the support rails and that you have identified the front of each rail.
  - Slide rail (left)
  - Slide rail (right)
  - M6 screws (quantity 4)
2. Open the rear-slide-rail hooks, as shown in Figure 48.

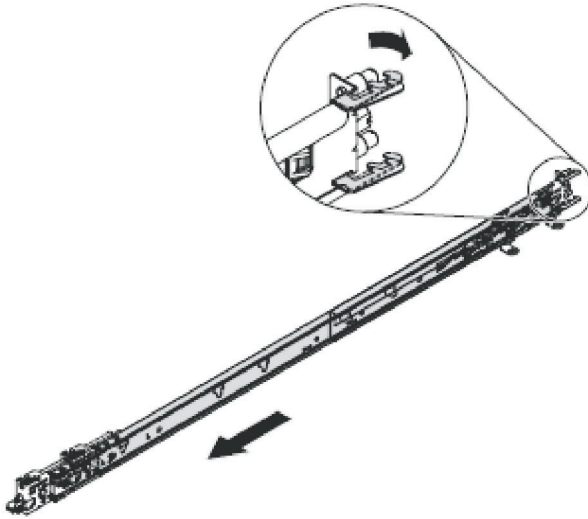


Figure 48. Opening the rear slide-rail hooks

**Note:** The maximum distance between the front and the rear EIA rails of the rack is 810 mm (31.9 in.).

Each slide rail is marked with either an R (right) or an L (left). Select one of the slide rails and pull the rear bracket all the way back. If a thumbscrew is installed in the slide rail, remove it.

3. Install the rear end of the slide rails, as shown in Figure 49 on page 68.

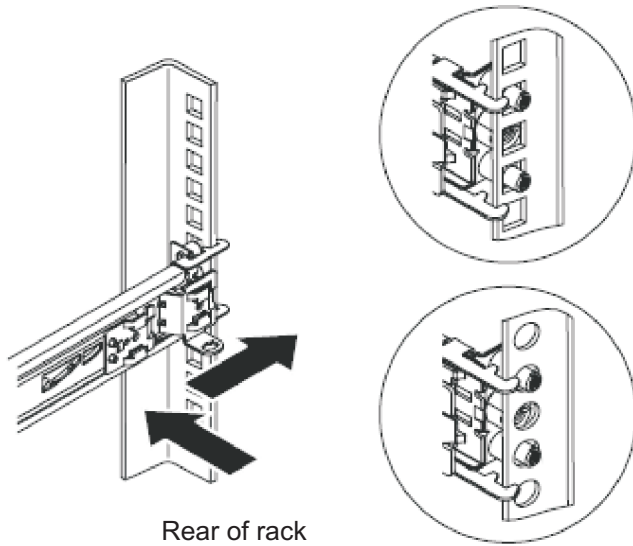


Figure 49. Installing the rear end of the slide rails

From the front of the rack, line up the two pins on the rear of the slide rail in the selected U on the rear of the rack. Push the rails so that the pins go into the holes and slide the rails into the rack to lock the rear of the slide rails into the rack.

4. Prepare the front end of the slide rails, as shown in Figure 50.

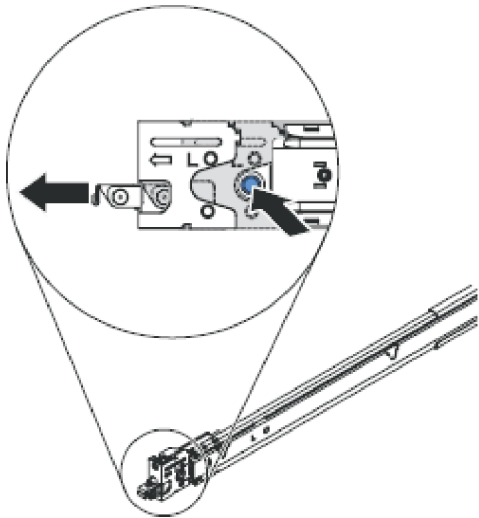


Figure 50. Preparing the front end of the slide rails

Push the blue button to allow the latch to slide forward. Then pull the slide rail forward and pull the latch on the front of the rail in the U on the front of the rack. Adjust the length of the rail.

5. Install the front end of the slide rails, as shown in Figure 51 on page 69.

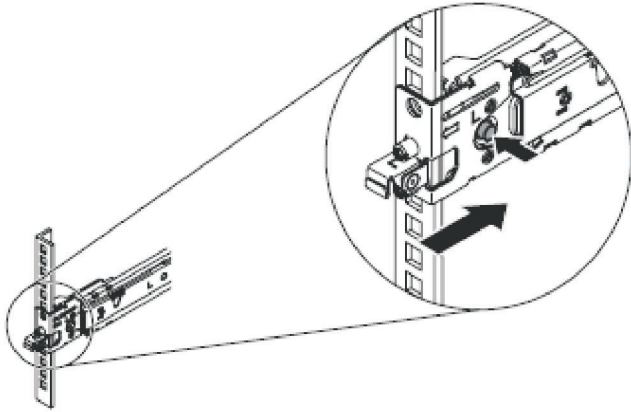


Figure 51. Installing the front end of the slide rails

Press the blue button to release the bracket. Push the front latch in all the way. Make sure the latch is fully engaged.

6. Install the other rail in the same manner.

The installation of the support rails for the 2145-CG8 or 2145-CF8 is complete.

### Installing the support rails for the SAN Volume Controller 2145-8A4

You must install the support rails that hold the SAN Volume Controller 2145-8A4 node.

Figure 52 shows the items that you need to install the SAN Volume Controller 2145-8A4 node in a rack.

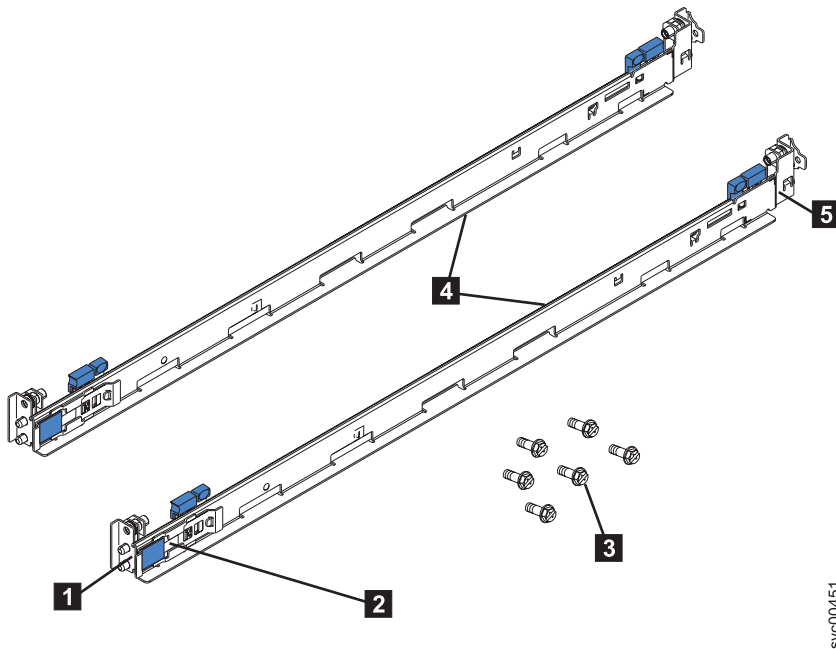


Figure 52. SAN Volume Controller 2145-8A4 support-rails installation kit

- 1 Rear of rail
- 2 Shipping bracket
- 3 M6 screws (6)
- 4 Rack mounting rails

svc00451

## 5 Front of rail

### Notes:

- With some types of racks, you might find it helpful to remove the rack doors and side panels to provide easier access during installation.
- The slide rails are marked (RIGHT / FRONT and LEFT / FRONT) for proper placement on the rack flanges.
- The front and back of each rail has a spring-loaded rail-locking carrier, which can be locked in the open position and then released when the rail is in the rack.

When you are ready to install the support rails, use the customer's hardware-location chart and the Electronic Industries Alliance (EIA) positions on the rack to determine where in the rack that the SAN Volume Controller node is to be installed.

Perform the following steps to install the support rails:

1. Ensure that the rail-locking carriers at the front and rear of each support rail are open. The mechanism to open is similar at each end. If a locking mechanism is closed, as shown in Figure 53 (for a front bracket), open it.

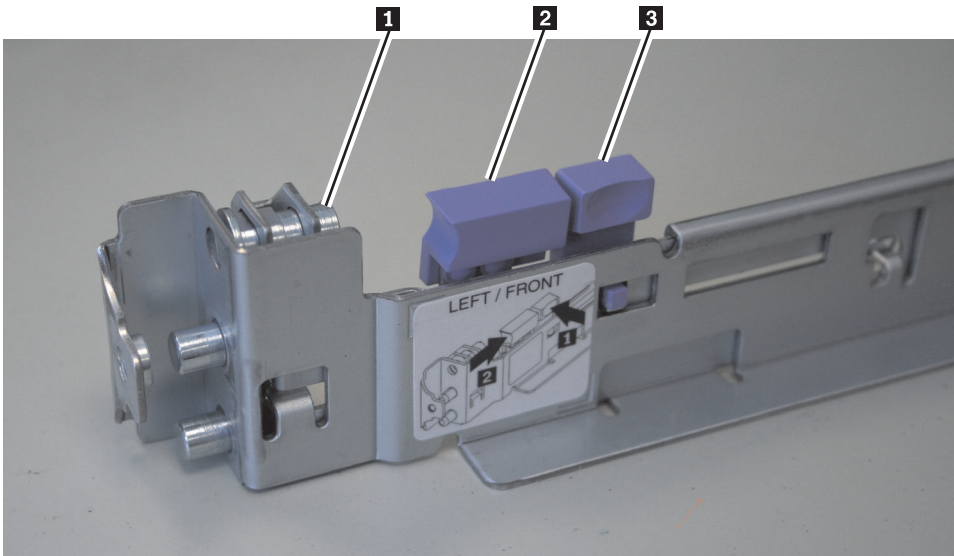


Figure 53. A closed rail-locking carrier at the front of the support rail for the SAN Volume Controller 2145-8A4

To open the rail-locking carrier, push the small tab **3** back away from the rail and slide the larger tab **2** toward the center of the slide rail. Slide the rail-locking carrier approximately 15 mm toward the end of the slide rail until the rail-locking carrier locks in the open position, as shown in Figure 54 on page 71 (which shows the rear bracket).

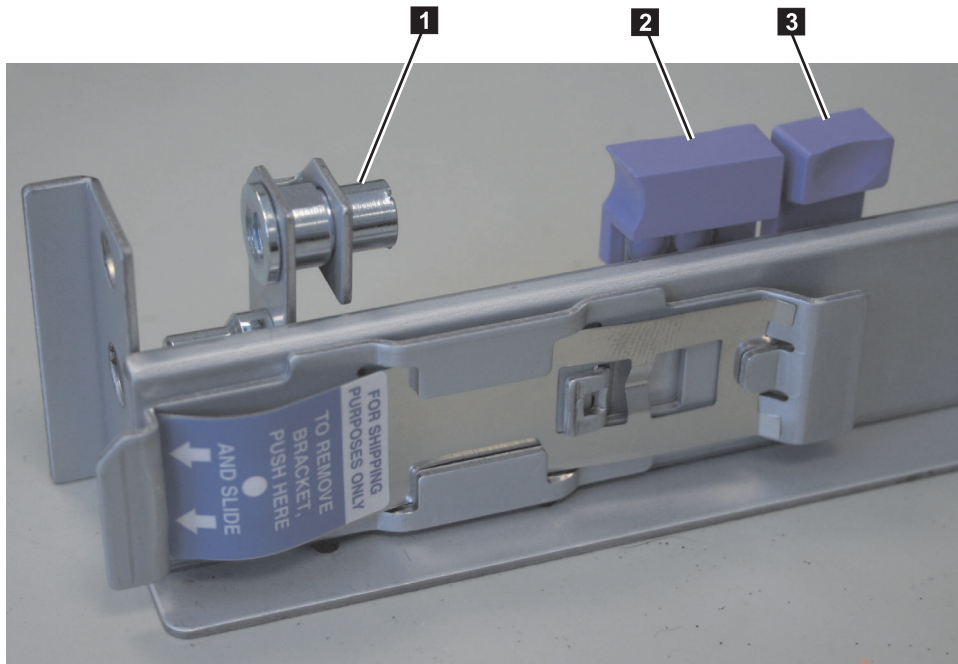
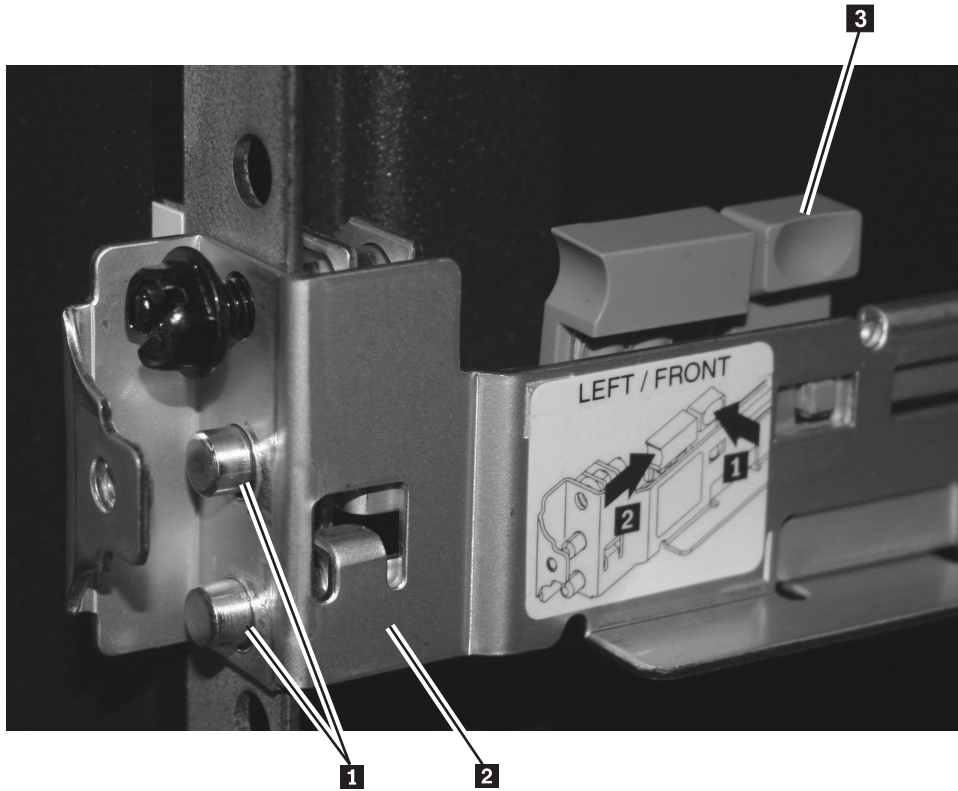


Figure 54. An open rail-locking carrier at the rear of the support rail for the SAN Volume Controller 2145-8A4

2. Position the rail at the correct height in the rack.
  - a. Start from the front and align the pins ( **1** in Figure 55 on page 72) on the front rail-locking carrier with the holes on the rack mounting flange **2** .
  - b. Release the rail-locking latch by pushing the smaller blue tab **3** away from the rail. The pins spring into the closed position. Ensure that the pins go fully through the holes in the mounting flange, as shown in Figure 55 on page 72.
  - c. At the rear of the rack, align the pins on the rear rail-locking carrier with the holes on the rack mounting flange.



svc00445

Figure 55. Aligning the pins on the left front support rail for the SAN Volume Controller 2145-8A4 with the front mounting flange

3. Insert one of the M6 screws into the front and rear locking latches and tighten.
4. Repeat the instructions in steps 1 on page 70 through 3 with the right support rail.

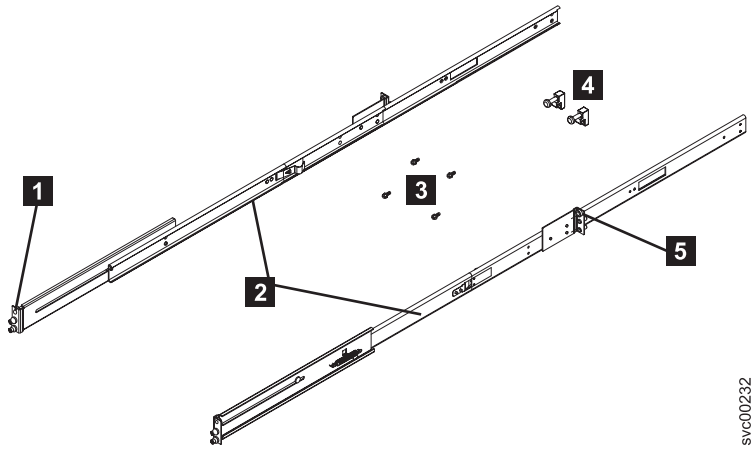
### Installing the support rails for the SAN Volume Controller 2145-8G4

You must install the support rails that hold the SAN Volume Controller 2145-8G4.

When you are ready to install the support rails, use the customer's hardware-location chart and the Electronic Industries Alliance (EIA) positions on the rack to determine where in the rack that the SAN Volume Controller node is to be installed.

Perform the following steps to install the support rails (shown in Figure 56 on page 73) for the SAN Volume Controller 2145-8G4:

1. Make sure you have all the items that you need for installing the support rails.



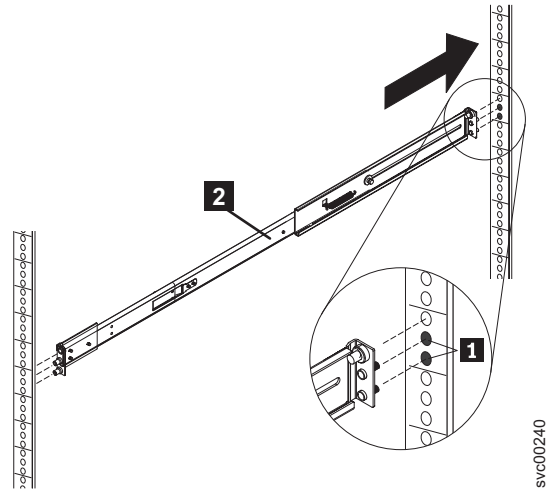
svc00232

Figure 56. SAN Volume Controller 2145-8G4 support rails installation kit

- 1** Rear of rail
- 2** Rack mounting rails
- 3** M6 screws
- 4** Latches
- 5** Front of rail

**Note:** You might find it helpful, with some types of racks, to remove the rack doors and side panels to provide easier access during installation.

2. Check the labels on the support rails. Each rail has a label that indicates which is the front end of the rail and whether the rail is for the left or right side of the rack. Perform this procedure for both rails.
3. Insert the right slide rail **2** into the rear rack mounting flange, as shown in Figure 57, with the rail pins **1** protruding through the flange.



svc00240

Figure 57. Inserting the right slide rail into the rear rack mounting flange

4. Extend the right slide rail **2** and insert it into the front rack mounting flange, as shown in Figure 58 on page 74, with the rail pins **1** protruding through the flange. Insert the left slide rail in the same way.

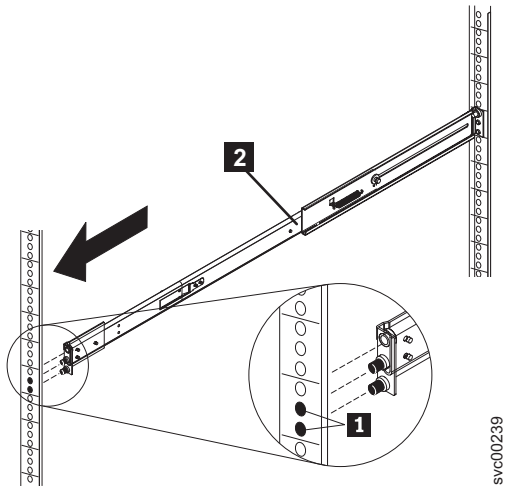


Figure 58. Extending the right slide rail

- Attach one latch strike **1** to the front of the right rail **2**, as shown in Figure 59, using the captive screw **3**. Turn the screw only finger tight. Attach the other latch strike to the front of the left rail in the same way.

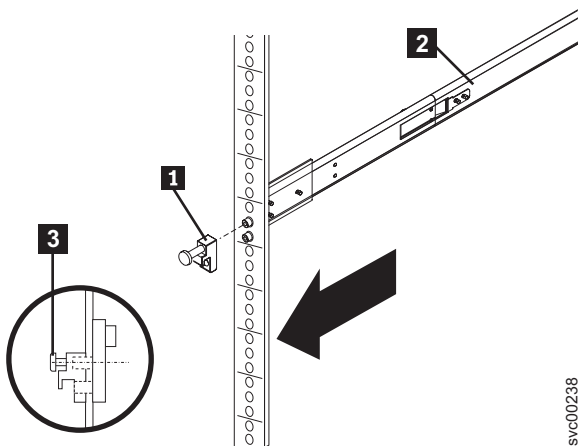


Figure 59. Attaching the latch strike to the front of the slide rail

- Attach the slide rail to the left rear mounting flange with a single screw and latch strike. The screw should be only finger tight. Likewise, attach the other slide rail to the right rear mounting flange. The installation of the support rails for the SAN Volume Controller 2145-8G4 is complete.

### Installing the support rails for the SAN Volume Controller 2145-8F4 or the SAN Volume Controller 2145-8F2

You must install the support rails that hold the SAN Volume Controller 2145-8F4 or the SAN Volume Controller 2145-8F2.

When you are ready to install the support rails, use the customer's hardware-location chart and the Electronic Industries Alliance (EIA) positions on the rack to determine where in the rack that the SAN Volume Controller node is to be installed.

Perform the following steps to install the support rails:



1. Check the labels on the support rails. Each rail has a label that indicates which is the front end of the rail and whether the rail is for the left or right side of the rack. Perform this procedure for both rails.
2. Put your index finger against the side of the latch-lever, **1** in Figure 60, and put your thumb against the front of the latch-lock **2**.

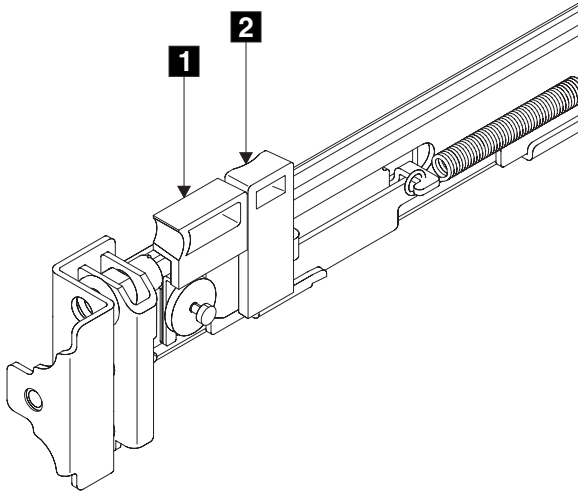


Figure 60. Retracting the latch-lock carrier

- 1** Latch lever
- 2** Latch lock

3. Gently push the latch lock **2** away from the rail as you move the latch lever **1** toward the far end of the rail (Figure 61). The latch-lock carrier assembly slides against the spring tension.

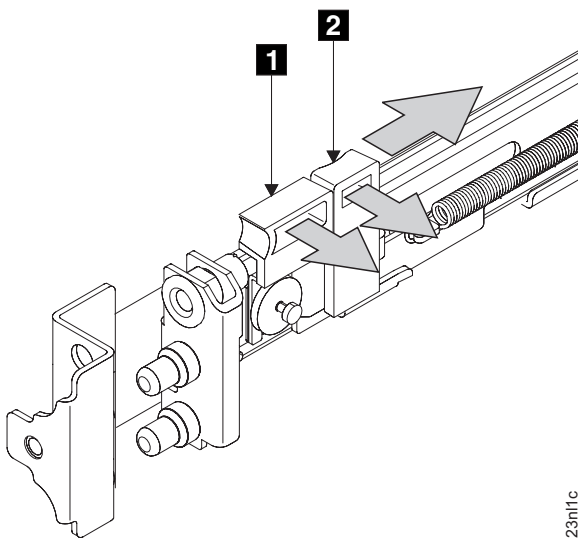


Figure 61. Opening the front latch-lock carrier assembly

- 1** Latch lever
- 2** Latch lock

4. Continue to slide the latch-lock carrier for approximately 13 mm (0.5 in). The latch-lever engages a hole in the back bracket assembly and holds the latch-lock carrier in the retracted position.

5. Push the back rail bracket **1** (Figure 62) toward the front of the rail until it stops. The rail is now at its shortest adjustment.

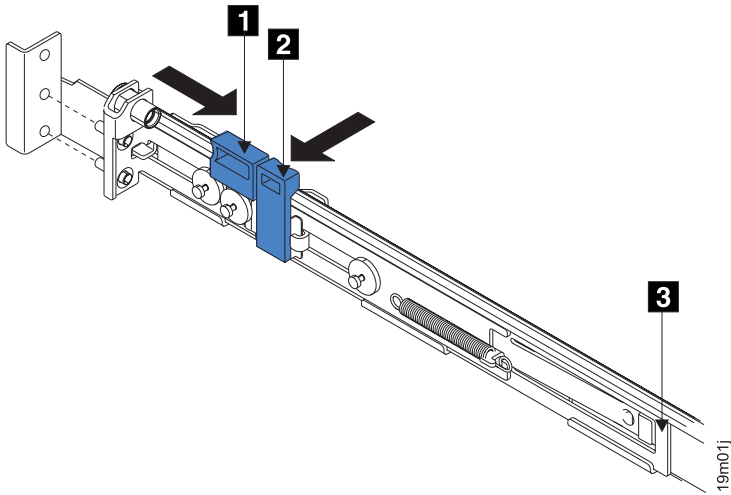


Figure 62. Opening the back latch-lock carrier assembly

- 1** Latch-lever
- 2** Latch-lock
- 3** Back rail bracket

6. Place the front end of the left rail in the rack cabinet. Align the top of the front bracket **1** (Figure 63) with the required EIA marking that is on the rack.

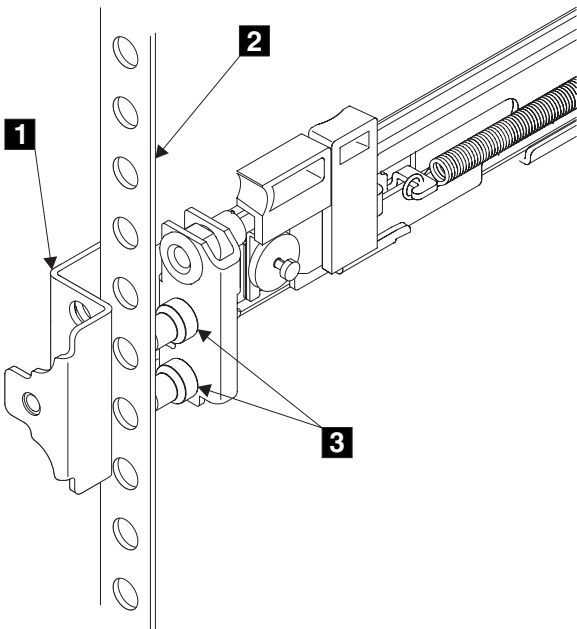


Figure 63. Installing the front end of the rail

- 1** Front bracket
- 2** Rack-mounting flange
- 3** Locating pins

7. Align the locating pins **3** with the holes that are in the rack-mounting flange.
8. Push the latch lock **2** (Figure 64) away from the rail to release the carrier. The latch-lock carrier slides toward the front of the rack and the locating pins project through the holes that are in the front flange and in the front rail bracket.

**Important:** Ensure that the locating pins are fully extended through the front rail bracket.

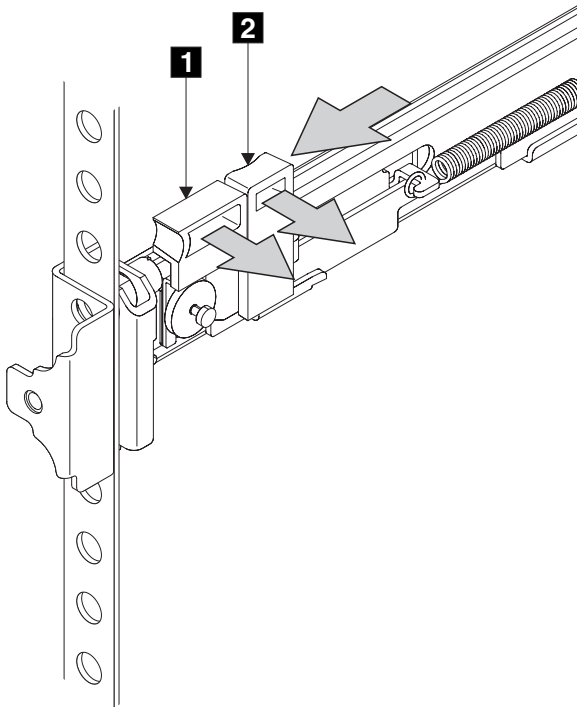


Figure 64. Closing the latch-lock carrier assembly

- 1** Latch-lever
- 2** Latch-lock

9. Push the back rail bracket toward the rear of the rack and align the locating pins with the rack-mounting flange.
10. Push the latch lock **2** away from the rail to release the carrier. The latch-lock carrier slides toward the rear of the rack, and the locating pins project through the holes that are in the rear flange and in the rear rail bracket.

**Important:** Ensure that the locating pins are fully extended through the rear rail bracket.

11. On the rear of each rail, press the blue release tab and slide the shipping bracket off the slide rail. Store the shipping bracket for further use.

## Removing the top cover

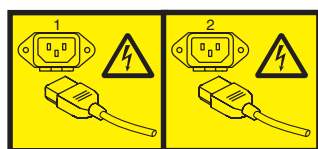
You can remove the top cover of the SAN Volume Controller node if maintenance is necessary.

### Removing the SAN Volume Controller 2145-CG8 or 2145-CF8 top cover

- | Remove the SAN Volume Controller 2145-CG8 or 2145-CF8 top cover to gain access to node components.
- | **Important:** Before you turn on the node, replace the cover for proper cooling and airflow. Operating the node for extended periods of time (more than 30 minutes) with the cover removed might damage components.

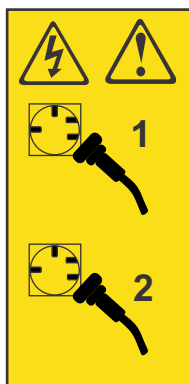
## DANGER

Multiple power cords. The product might be equipped with multiple power cords. To remove all hazardous voltages, disconnect all power cords. (L003)



svc00322

or



svc00735

or



svc00734

To remove the SAN Volume Controller 2145-CG8 or 2145-CF8 cover, complete the following steps:

1. Read the safety information to which “Preparing to remove and replace parts” on page 26 refers.
2. Optional: Follow the procedure in MAP 5350 in the *IBM System Storage SAN Volume Controller Troubleshooting Guide* to verify that the node data is mirrored and synchronized, and that there are no dependent volumes before turning off the node.

Most maintenance procedures that require you to remove the cover are performed with:

- The node turned off
- The power cables disconnected
- The data cables connected

Depending on the part that you are removing or replacing, you might be able to leave the power cords and the data cables connected. The removal or replacement procedure for each part describes what to do about power, the power cords, and the data cables.

If you are removing or replacing a hot-swap fan, for example, you can leave the node turned on, the power cords connected, and the data cables connected. However, do not run the node for longer than thirty minutes without the cover. If you must take a longer time, turn off the node as directed in MAP 5350.

3. Pull back the cable-management arm if you are working from the rear of the rack, or slide the node out of the rack to the fully extended rail position if you are working from the front.  
You can perform most service actions when the node is fully extended from the rack on its slide rails.
4. Optional: When the node is completely turned off, remove the cable-retention brackets and disconnect the power cables, as described in “Removing the cable-retention bracket” on page 34.
5. Optional: To make sure that you can replace all cables in the same ports from which they were removed, label the port position of each Fibre Channel and Ethernet cable; then remove all cables from the back of the node.
6. Optional: Remove the node from the rack and place it on a flat, static-protective surface. See “Removing the SAN Volume Controller from a rack” on page 46.
7. Press down firmly on the blue tab (**2** in Figure 65 on page 79) that secures the cover (**1**) and slide the cover toward the rear of the node until the cover disengages the chassis.

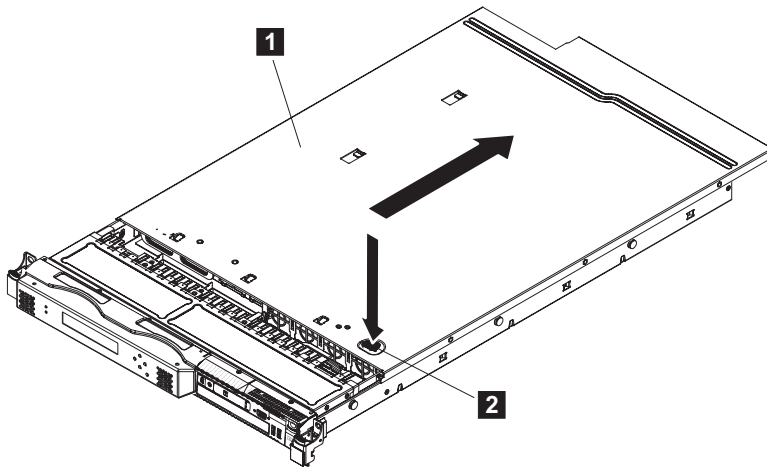


Figure 65. Removing the SAN Volume Controller 2145-CG8 or 2145-CF8 cover

- 1 Cover
- 2 Blue locking tab

8. Lift the cover off the SAN Volume Controller 2145-CG8 or 2145-CF8 and set it aside.

### Removing the SAN Volume Controller 2145-8A4 top cover

This topic describes how to remove the top cover of the SAN Volume Controller 2145-8A4 node.

**Attention:** Never remove the top cover with power applied. To remove all power from the node, see MAP 5350 in the *IBM System Storage SAN Volume Controller Troubleshooting Guide*.

To remove the SAN Volume Controller 2145-8A4 cover, complete the following steps.

1. Read the safety information that is referenced in “Preparing to remove and replace parts” on page 26.
2. From the management GUI home page, click **System Status** and select the node to remove. Click **Manage > Remove Node**.
3. Press the cover-release button **1**, which is shown in Figure 66.

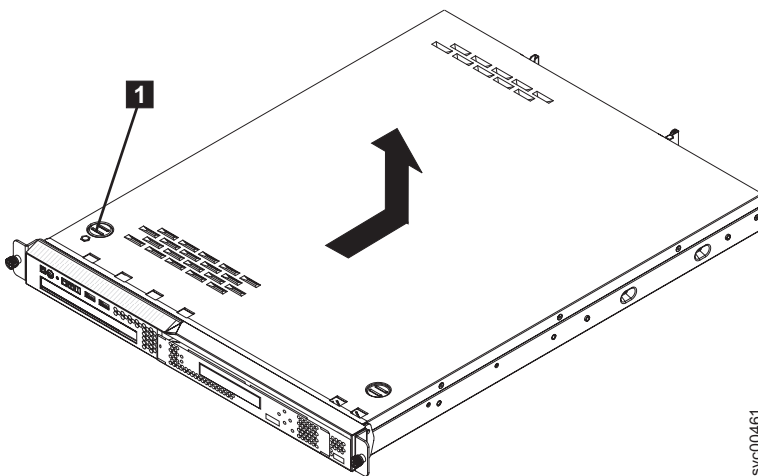


Figure 66. Removing the SAN Volume Controller 2145-8A4 cover

4. Slide the cover back approximately 1.3 cm (0.5 in); then, lift it off the node.

## Removing the SAN Volume Controller 2145-8G4 top cover

This topic describes how to remove the SAN Volume Controller 2145-8G4 top cover.

**Important:** Before you turn on the node, replace the cover for proper cooling and airflow. Operating the node for extended periods of time (more than 30 minutes) with the cover removed might damage components.

To remove the SAN Volume Controller 2145-8G4 cover, complete the following steps.

**Attention:** Never remove the top cover with power applied. To remove all power from the node, see MAP 5350 in the *IBM System Storage SAN Volume Controller Troubleshooting Guide*.

1. Read the safety information that is referenced in “Preparing to remove and replace parts” on page 26.
2. From the management GUI home page, click **System Status** and select the node to remove. Click **Manage > Remove Node**.
3. Loosen the thumbscrew ( **1** in Figure 67) that secures the cover at the rear of the SAN Volume Controller 2145-8G4.

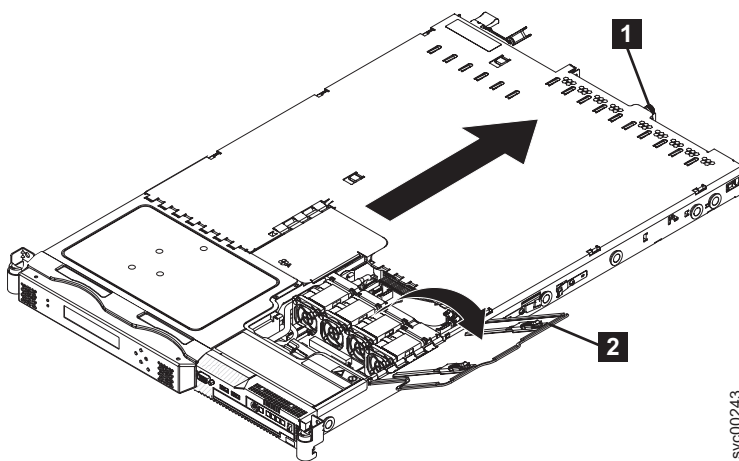


Figure 67. The SAN Volume Controller 2145-8G4 with fan door open

4. Open the fan door **2**. To open the fan door, slide the two latches to the right, and raise the door panel.
5. Remove the SAN Volume Controller 2145-8G4 cover:
  - a. Slide the cover slightly toward the rear of the SAN Volume Controller 2145-8G4 until it comes free. Make sure that the cover tabs all slide away from the insets that are on the front, rear, and sides of the SAN Volume Controller 2145-8G4.
  - b. Lift the cover off the SAN Volume Controller 2145-8G4 and set the cover aside.

## Removing the SAN Volume Controller 2145-8F4 or SAN Volume Controller 2145-8F2 top cover

This topic describes how to remove the SAN Volume Controller 2145-8F4 or SAN Volume Controller 2145-8F2 top cover.

**Important:** Before you turn on the node, replace the cover for proper cooling and airflow. Operating the node for extended periods of time (more than 30 minutes) with the cover removed might damage components.

Before you remove the cover, you must remove all power from the node. To remove all power from the node, see MAP 5350 in the *IBM System Storage SAN Volume Controller Troubleshooting Guide*.

Perform the following steps to remove the SAN Volume Controller 2145-8F4 or SAN Volume Controller 2145-8F2 top cover:

1. Remove the server from the rack:
  - a. Pull the node out, about a third of the way, until it stops.
  - b. Slide both side release latches (left and right) toward the front of the node. Make sure that both rail-lock pins (**2** in Figure 68) are in a vertical position, pull the node out, and remove it from the rack.

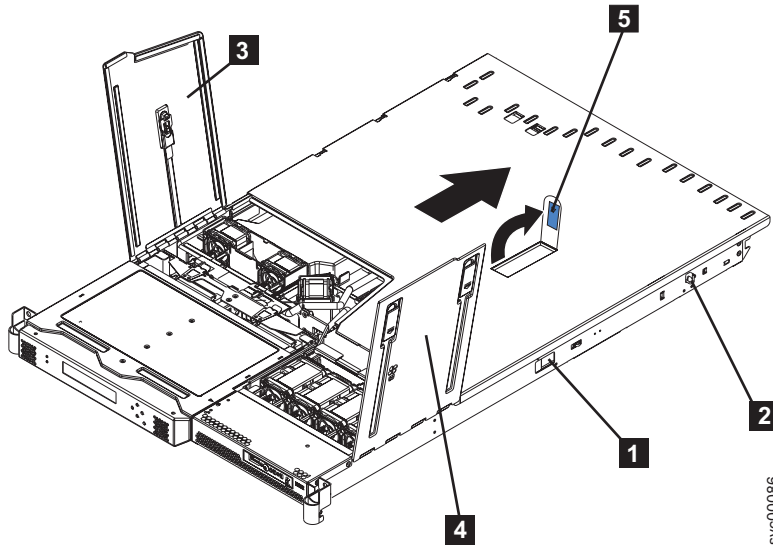


Figure 68. SAN Volume Controller 2145-8F2 or SAN Volume Controller 2145-8F4 with fan doors open

- 1** Side release latch
- 2** Rail lock pin
- 3** Fan door A
- 4** Fan door B
- 5** Cover release latch

2. Open fan door A **3** and fan door B **4**. To open fan door A, slide the slide latch to the left and lift up the door panel. To open fan door B, slide the two slide latches to the right and lift up the door panel.
3. Perform the following steps to remove the SAN Volume Controller 2145-8F4 or SAN Volume Controller 2145-8F2 cover:
  - a. Lift up the cover release latch **5** and slide the cover to the rear of the node.
  - b. Make sure that the SAN Volume Controller 2145-8F4 or SAN Volume Controller 2145-8F2 cover slides away from the insets that are on the front, rear, and sides of the SAN Volume Controller 2145-8F4 or SAN Volume Controller 2145-8F2 cover.
  - c. Lift the cover off the node and set the cover aside.

## Replacing the top cover

You must replace the top cover on the SAN Volume Controller node after maintenance is completed.

### | Replacing the SAN Volume Controller 2145-CG8 or 2145-CF8 top cover

| This topic describes how to replace the SAN Volume Controller 2145-CG8 or 2145-CF8 top cover.

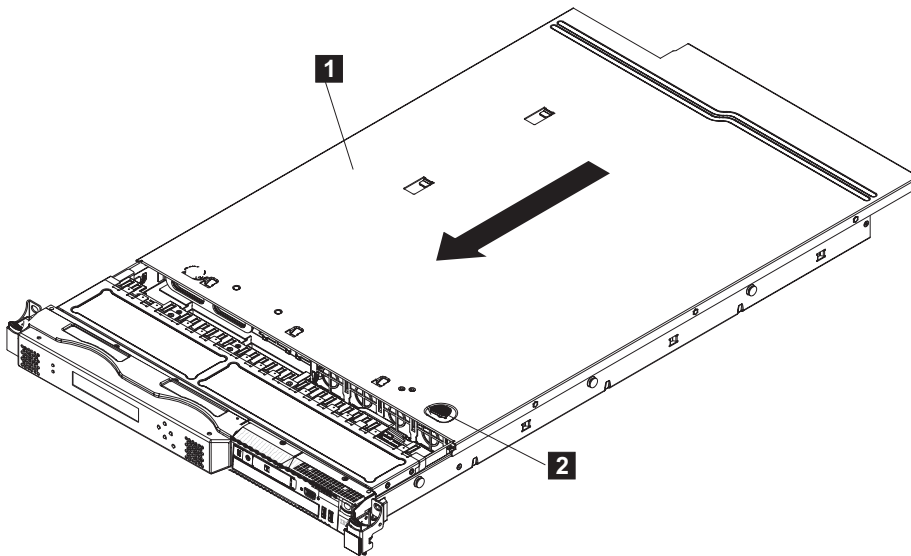
| **Important:** Before you slide the cover forward, make sure that all the tabs on both the front, rear, and  
| side of the cover engage the chassis correctly. If all the tabs do not engage the chassis correctly, it will be  
| very difficult to remove the cover later.

| To replace the top cover on the SAN Volume Controller 2145-CG8 or 2145-CF8, complete the following  
| steps:

- | 1. If you removed the node from the rack, replace the node in the rack, as described in “Replacing the  
| SAN Volume Controller in a rack” on page 55.
- | 2. Make sure that all cables, adapters, and other components are installed and seated correctly and that  
| you have not left loose tools or parts inside the node. Make sure that all internal cables are correctly  
| routed. If you disconnected the Fibre Channel and Ethernet cables, make sure that each cable is  
| reconnected to the same port from which it was removed.
- | 3. If you removed the power cords, replace the power cords and the cable-retention brackets, as  
| described in “Replacing the cable-retention bracket” on page 39.
- | 4. Position the cover on top of the SAN Volume Controller 2145-CG8 or 2145-CF8.

| **Important:** Before you slide the cover forward, make sure that all the tabs on both the front, rear, and  
| side of the cover engage the chassis correctly. If all the tabs do not engage the chassis correctly, it will  
| be very difficult to remove the cover later.

- | 5. Slide the cover toward the front of the node, as shown in Figure 69.



| *Figure 69. Replacing the SAN Volume Controller 2145-CG8 or 2145-CF8 cover*

| **1** Cover

| **2** Blue locking tab

- | 6. Verify that the cover correctly engages all the inset tabs on the node.
- | 7. Lift the locking levers ( **1** in Figure 70 on page 83) on the slide rails and push the server **2** all the  
| way into the rack until it clicks into place.



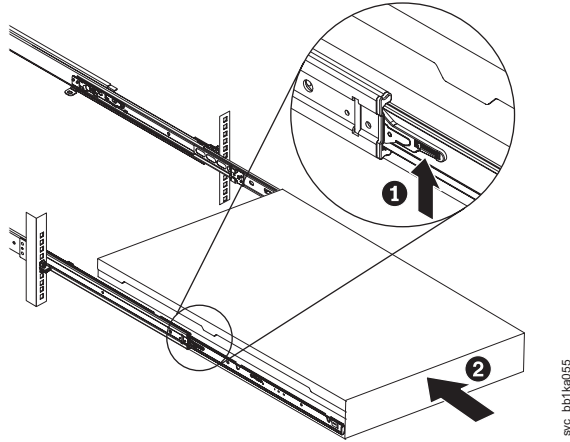


Figure 70. Raising the SAN Volume Controller 2145-CF8 or 2145-CG8 locking levers of the slide rails of the rack

8. If you turned off the node during the service procedure, turn on the node.

### Replacing the SAN Volume Controller 2145-8A4 top cover

This topic describes how to replace the SAN Volume Controller 2145-8A4 top cover.

To replace the top cover on the SAN Volume Controller 2145-8A4, complete the following steps:

1. Make sure that all internal cables are correctly routed so that they do not interfere with the cover installation.
2. Set the cover on top of the node so that approximately 1.3 cm (0.5 in) extends from the rear.
3. Slide the cover forward and into position.
4. Replace the node in the rack.

### Replacing the SAN Volume Controller 2145-8G4 top cover

This topic describes how to replace the SAN Volume Controller 2145-8G4 top cover.

**Important:** Before you slide the cover forward, make sure that all the tabs on both the front, rear, and side of the cover engage the chassis correctly. If all the tabs do not engage the chassis correctly, it will be very difficult to remove the cover later.

To replace the top cover on the SAN Volume Controller 2145-8G4, complete the following steps:

1. Position the internal cables so that they do not interfere with the cover installation.
2. Position the cover on top of the SAN Volume Controller 2145-8G4 and open the fan door.
3. Tighten the thumbscrew **1**, which is shown in Figure 71 on page 84, until the cover correctly engages all the inset tabs on the SAN Volume Controller 2145-8G4.

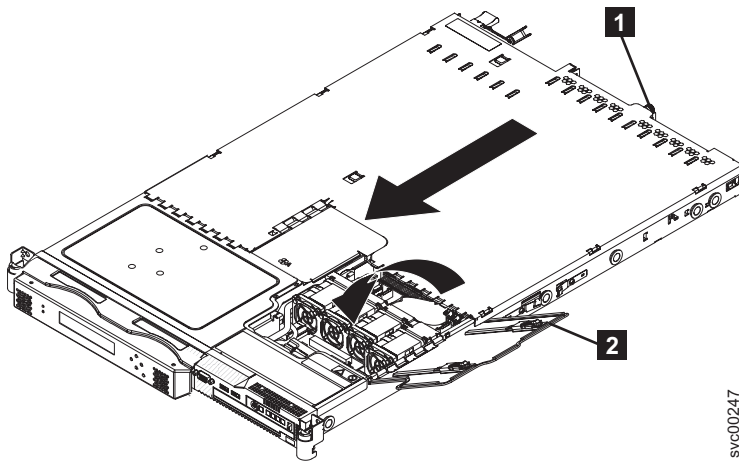


Figure 71. SAN Volume Controller 2145-8G4 with the fan door open

4. Close the fan door **2**.
5. Replace the node in the rack.

## Replacing the SAN Volume Controller 2145-8F4 or SAN Volume Controller 2145-8F2 top cover

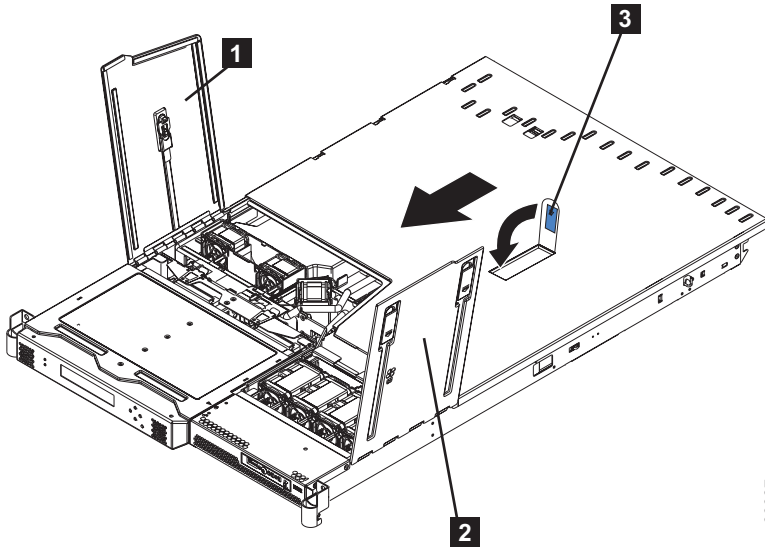
This topic describes how to replace the SAN Volume Controller 2145-8F4 or SAN Volume Controller 2145-8F2 top cover.

**Important:** Before you turn on the node, replace the cover for proper cooling and airflow. Operating the node for extended periods of time (more than 30 minutes) with the cover removed might damage components.

**Important:** Before you slide the cover forward, make sure that all the tabs on both the front, rear, and side of the cover engage the chassis correctly. If all the tabs do not engage the chassis correctly, it will be very difficult to remove the cover later.

Perform the following steps to replace the SAN Volume Controller 2145-8F4 or SAN Volume Controller 2145-8F2 top cover:

1. Position the internal cables so that they do not interfere with the cover installation.
2. Position the cover on top of the node and slide it forward.
3. Press down on the cover release latch **3**, which is shown in Figure 72 on page 85, until the cover properly engages all the inset tabs on the SAN Volume Controller 2145-8F2.



svc00087

Figure 72. SAN Volume Controller 2145-8F2 with the access doors open

- 1** Fan door A
- 2** Fan door B
- 3** Cover release latch

- 4. Close the fan doors.
- 5. Replace the node in the rack.

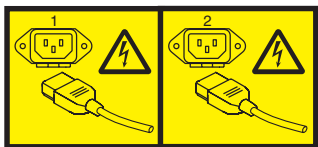
## Removing the service controller

You can remove the service controller from the SAN Volume Controller.

### Removing the 2145-CG8 or 2145-CF8 service controller

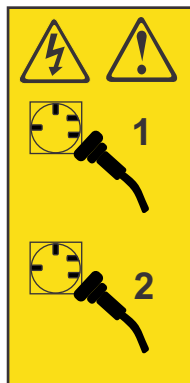
#### DANGER

Multiple power cords. The product might be equipped with multiple power cords. To remove all hazardous voltages, disconnect all power cords. (L003)



svc00322

or



svc00735

or



svc00734

This service action is used in two separate removal and replacement procedures, which each have unique power requirements:

- If you are replacing the service controller, this service action requires you to turn off the node and disconnect the USB service-controller cable.

- If you are replacing a hot-swap drive, you do not have to turn off the node, and you can leave the service-controller cable attached to the service controller.

To remove the service controller, perform the following steps:

1. Read the safety information to which “Preparing to remove and replace parts” on page 26 refers.
2. If you are intending to replace the service controller field-replaceable unit (FRU), use one of the following methods to read and record the WWNN of the node.
  - From the front panel, press the down button until Node: xxxx shows in the display. Press the right button until Node WWNN: nnnnn is displayed and record the five-digit number.
  - From the cluster vital product data (VPD), record the last five digits of the WWNN or the WWPNN of the Fibre Channel ports.

If you cannot obtain the WWNN with either method, obtain the information from your storage-attached network (SAN) switch.

3. If you are intending to replace the service controller FRU, verify that the node data is mirrored and synchronized, and that there are no dependent virtual disks before turning off the node.  
Follow the procedure in MAP 5350 in the *IBM System Storage SAN Volume Controller Troubleshooting Guide* to verify that the node data is mirrored and synchronized, and that there are no dependent volumes before turning off the node.
4. Optional: Slide the node out on its slide rails to the fully extended position.  
You can leave the Fibre Channel and Ethernet cables connected, if you are using the cable-management arm and if you are not removing the node from the rack. If the location of the node in the rack is too high or too low to work comfortably, you can remove the node from the rack.

**Fast path:** You can perform this service procedure with the node in place.

5. If you must remove the node from the rack to work on it, perform the following procedure to turn off the node, remove all cables, and remove the node from the rack:
  - a. If you have not yet done so, verify that the node data is mirrored and synchronized, and that there are no dependent virtual disks before turning off the node.  
Follow the procedure in MAP 5350 in the *IBM System Storage SAN Volume Controller Troubleshooting Guide* to verify that the node data is mirrored and synchronized, and that there are no dependent volumes before turning off the node.
  - b. Pull back the cable-management arm if you are working from the rear of the rack, or slide the node out of the rack to the fully extended rail position if you are working from the front.
  - c. When the node is completely turned off, remove the cable-retention brackets and disconnect the power cables, as described in “Removing the cable-retention bracket” on page 34.
  - d. To make sure that you can replace all cables in the same ports from which they were removed, label the port position of each Fibre Channel and Ethernet cable; then remove all cables from the back of the node.
  - e. Remove the node from the rack and place it on a flat, static-protective surface. See “Removing the SAN Volume Controller from a rack” on page 46.
6. Locate the recessed, blue service-controller release buttons on each side of the controller. See Figure 73 on page 87.

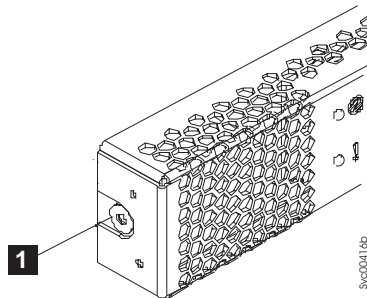


Figure 73. Left release button of a 2145-CG8 or 2145-CF8 service controller

7. Gently press both release buttons, shown by **2** in Figure 74, and release the catch while pulling gently forward on the service controller.  
The service controller moves slightly forward.

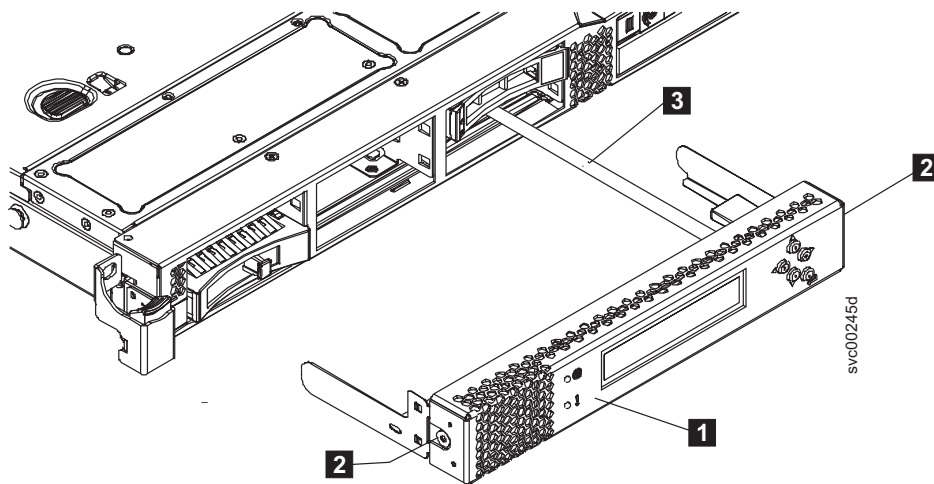


Figure 74. Service controller for the 2145-CG8 or 2145-CF8 with attached USB cable

- 1** Service controller
- 2** Service-controller release buttons
- 3** USB service-controller cable

**Attention:** If you meet any resistance, do not pull harder, or you might damage the release mechanism.

Stop pressing the release buttons once the service-controller locking mechanism clears the 2145-CG8 or 2145-CF8.

8. Pull the service controller fully out of the frame.  
If you are replacing a hot-swap drive, you can leave the service-controller cable attached to the service controller. Rest the service controller on another surface while removing and replacing the drive to prevent strain on the cable.
9. If you are intending to replace the service controller FRU, detach the USB cable, shown by **3** in Figure 75 on page 88, from the service controller.

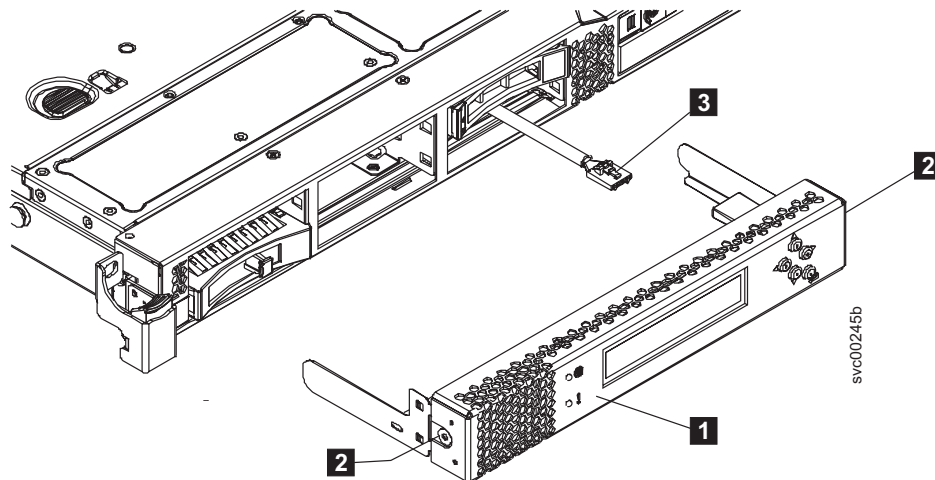


Figure 75. SAN Volume Controller 2145-CG8 or 2145-CF8 service controller

- If you are intending to replace the service controller FRU, label the one that you are removing to avoid a possible worldwide node name (WWNN) conflict if the service controller is ever reused.

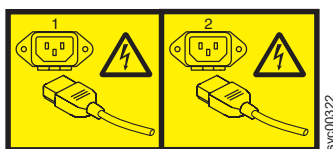
**Note:** When you replace a service controller, it is normal to change the worldwide node name (WWNN) of the new service controller to match the one that is being replaced. In this case, you will have two service controllers with the same WWNN. Clearly label the service controller that you are removing and indicate that its WWNN is now a duplicate and that it must not be connected to a SAN before its WWNN is reset.

### Removing and replacing the SAN Volume Controller 2145-CG8 or 2145-CF8 service controller cable

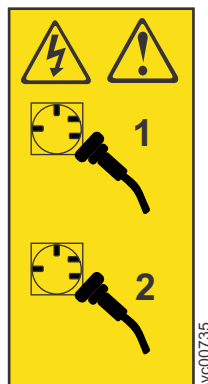
You can remove and replace the USB service-controller cable in the SAN Volume Controller 2145-CG8 or 2145-CF8.

#### DANGER

**Multiple power cords.** The product might be equipped with multiple power cords. To remove all hazardous voltages, disconnect all power cords. (L003)



or



or



This service action requires you to remove the cover and:

- Turn the node off.
- Disconnect the power cables.
- Disconnect or reconnect the USB service-controller data cable.

Perform the following steps to remove or replace the service controller cable.

1. Read the safety information to which “Preparing to remove and replace parts” on page 26 refers.
2. Follow the procedure in MAP 5350 in the *IBM System Storage SAN Volume Controller Troubleshooting Guide* to verify that the node data is mirrored and synchronized, and that there are no dependent volumes before turning off the node.
3. Slide the node out on its slide rails to the fully extended position.  
You can perform most service actions when the node is fully extended from the rack on its slide rails. If the location of the node in the rack is too high or too low to work comfortably, you can remove the node from the rack.
4. When the node is completely turned off, remove the cable-retention brackets and disconnect the power cables, as described in “Removing the cable-retention bracket” on page 34.
5. Optional: If you must remove the node from the rack to work on it, perform the following procedure to remove all cables and remove the node from the rack:
  - a. To make sure that you can replace all cables in the same ports from which they were removed, label the port position of each Fibre Channel and Ethernet cable; then remove all cables from the back of the node.
  - b. Remove the node from the rack and place it on a flat, static-protective surface. See “Removing the SAN Volume Controller from a rack” on page 46.
6. Remove the top cover. See “Removing the top cover” on page 77.
7. Remove the service controller from the SAN Volume Controller 2145-CG8 or 2145-CF8, as described in “Removing the 2145-CG8 or 2145-CF8 service controller” on page 85.
8. Remove or replace the USB service-controller cable.

To remove the USB service-controller cable, perform the following procedure:

- a. Disconnect the USB cable ( **1** in Figure 76) from the service controller ( **2** ).

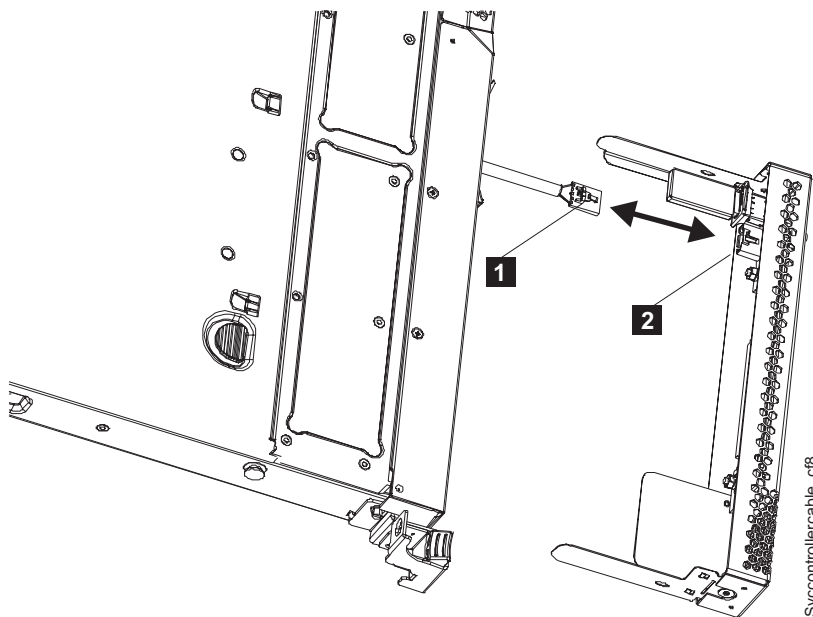


Figure 76. Removing and replacing the USB cable in the SAN Volume Controller 2145-CG8 or 2145-CF8 service controller

- 1** USB cable
- 2** USB connector

- b. Locate the USB connector ( **1** in Figure 77 on page 90) on the left side of the SAN Volume Controller 2145-CG8 or 2145-CF8.

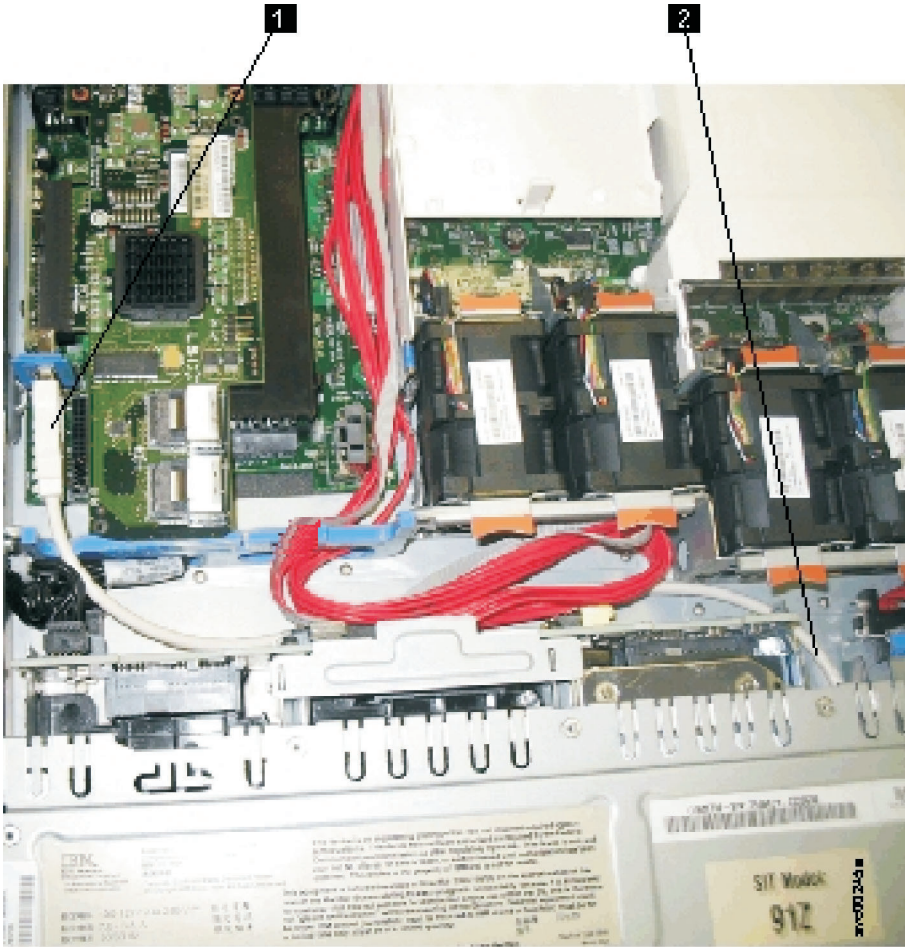


Figure 77. USB service-controller cable connected to the disk controller and USB riser card (SAN Volume Controller 2145-CF8 shown)

- 1** USB connector on the disk controller and USB riser card
  - 2** USB cable
- c. Grasp the blue lockbar (**2** in Figure 78 on page 91) and slide it toward the USB riser-card assembly (**3**) to the unlock position and remove the USB cable (**1**) from the connector.



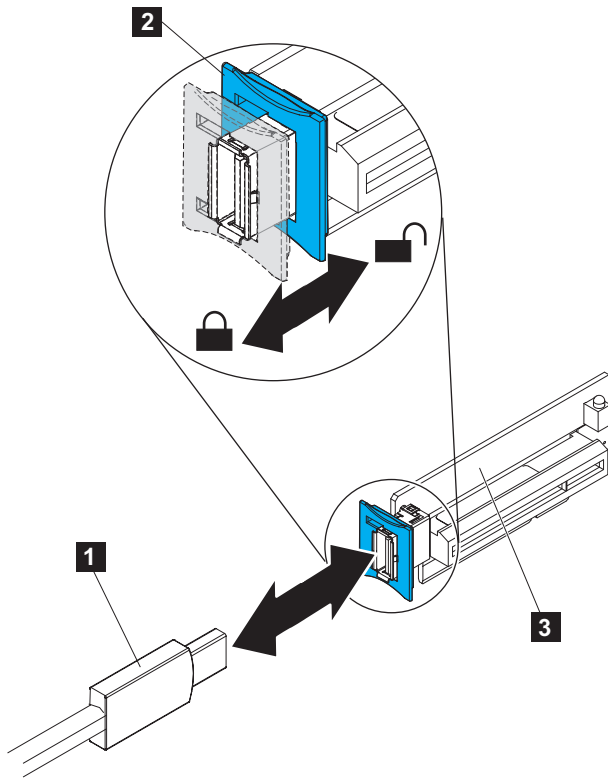


Figure 78. USB service-controller cable connector on the USB riser card

d. Remove the cable from the node.

To replace the USB service-controller cable, perform the following procedure:

- a. To reinstall the cable, *carefully* thread the USB cable through disk-drive bay 5, routing the larger connector of the cable to the USB connector ( **1** in Figure 77 on page 90) on the USB riser card. Route the cable beneath any red SAS cables that are attached to the disk backplane.
- b. Align the USB service-controller cable ( **1** in Figure 78) with the connector on the USB riser-card assembly ( **3** ) and push it into the connector until it is firmly seated.
- c. Slide the blue lockbar ( **2** ) toward the USB service-controller cable to the locked position until it is seated firmly.
- d. Install the other end of the USB cable in the USB connector ( **2** in Figure 76 on page 89) on the rear of the service controller.
- e. Carefully install the service controller, as described in “Replacing the SAN Volume Controller 2145-CG8 or 2145-CF8 service controller” on page 95.

**Important:** Ensure that the USB cable is pushed back into the empty drive bay, and ensure that the cable is not trapped above or below the bay.

9. After replacing the cable and the service controller, perform the procedure to replace the top cover, as described in “Replacing the top cover” on page 81.

After performing the procedure, the node is reinstalled in the rack with the power on.

## Removing the SAN Volume Controller 2145-8A4 service controller

To remove the service controller, perform the following steps:

1. Turn off the node while ensuring that its data is mirrored and synchronized. See MAP 5350 in the *IBM System Storage SAN Volume Controller Troubleshooting Guide* for more information.

2. Remove the cable-retention bracket and disconnect the power cable from the node. See “Removing the cable-retention bracket” on page 34.
3. Locate the recessed service controller release button on the left side of the controller, which is marked in blue, as shown in Figure 79.

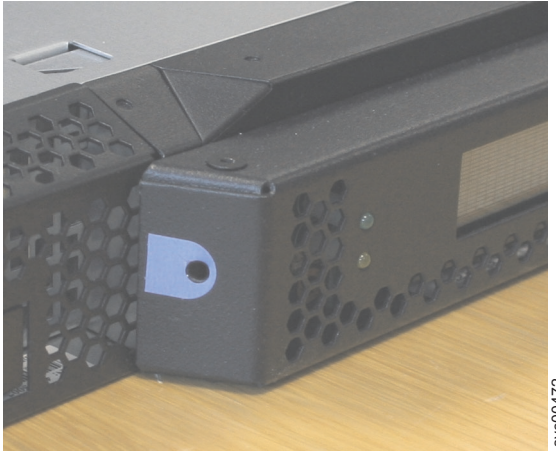


Figure 79. SAN Volume Controller 2145-8A4 service controller release button

4. Use a small screwdriver to gently press the release button and release the catch while pulling gently forward on the service controller. The service controller will move slightly forward.

**Note:** If you meet any resistance, do not press harder, or you might damage the release mechanism.

5. You can stop pressing the release button and pull the service controller fully out of the frame

**Note:** When you replace a service controller, it is normal to change the worldwide node name (WWNN) of the new service controller to match the one that is being replaced. In this case, you will have two service controllers with the same WWNN. Clearly label the service controller that you are removing and indicate that its WWNN is now a duplicate and that it must not be connected to a SAN before its WWNN is reset.

## Removing the SAN Volume Controller 2145-8G4 service controller

To remove the service controller, perform the following steps:

1. Turn off the node while ensuring that its data is mirrored and synchronized. See MAP 5350 in the *IBM System Storage SAN Volume Controller Troubleshooting Guide* for more information.
2. Remove the cable-retention bracket and disconnect the power cable from the node. See “Removing the cable-retention bracket” on page 34.
3. After ensuring that there is enough slack in the cables connected to the rear of the SAN Volume Controller 2145-8G4 node, slide the node forward in the rack by approximately 10 cm (4 in).
4. Locate the recessed service controller release button on the left side of the controller, which is marked in blue, as shown in Figure 80 on page 93.



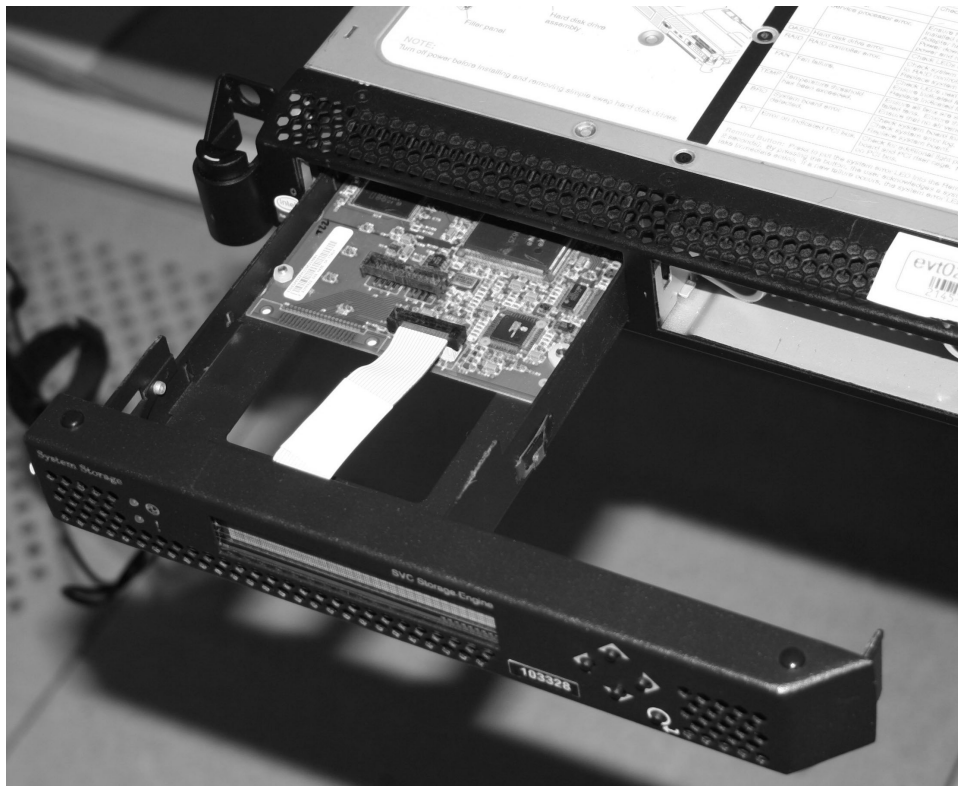
svc00416

Figure 80. SAN Volume Controller 2145-8G4 service controller release button

5. Use a small screwdriver to gently press the release button and release the catch while pulling gently forward on the service controller. The service controller will move slightly forward.

**Note:** If you meet any resistance, do not press harder, or you might damage the release mechanism.

6. You can stop pressing the release button and pull the service controller fully out of the frame, as shown in Figure 81



svc00245

Figure 81. Removing the service controller from the SAN Volume Controller 2145-8G4

**Note:** When you replace a service controller, it is normal to change the worldwide node name (WWNN) of the new service controller to match the one that is being replaced. In this case, you will have two service controllers with the same WWNN. Clearly label the service controller that you are removing and indicate that its WWNN is now a duplicate and that it must not be connected to a SAN before its WWNN is reset.

## Removing the SAN Volume Controller 2145-8F4 or SAN Volume Controller 2145-8F2 service controller

To remove the service controller, perform the following steps:

1. Turn off the node while ensuring that its data is mirrored and synchronized. See MAP 5350 in the *IBM System Storage SAN Volume Controller Troubleshooting Guide* for more information.
2. From the management GUI home page, click **System Status** and select the node to remove. Click **Manage > Remove Node**.
3. Open fan door A (**1** in Figure 82) of the node.

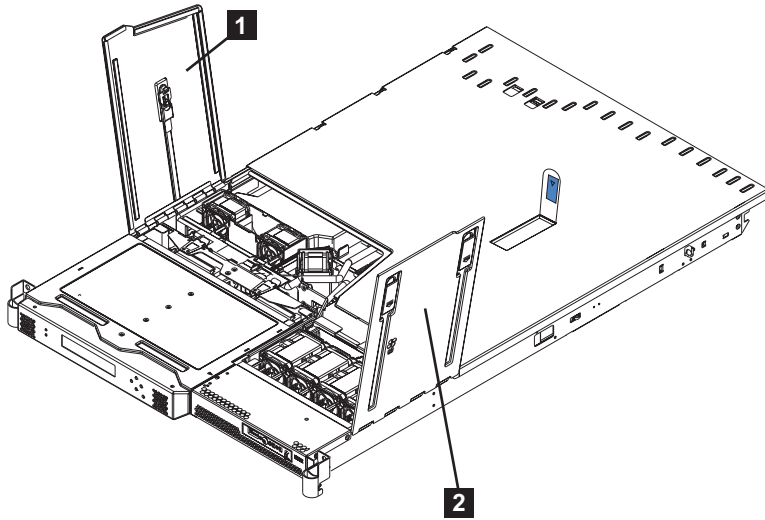


Figure 82. SAN Volume Controller 2145-8F2 or SAN Volume Controller 2145-8F4 with fan doors open

**1** Fan door A

**2** Fan door B

4. Lift the two blue levers on the rear of the cage assembly to release it from the frame.
5. Lift the cage assembly until the blue release latch (**1** in Figure 83 on page 95) on the left side of the service controller assembly is accessible.

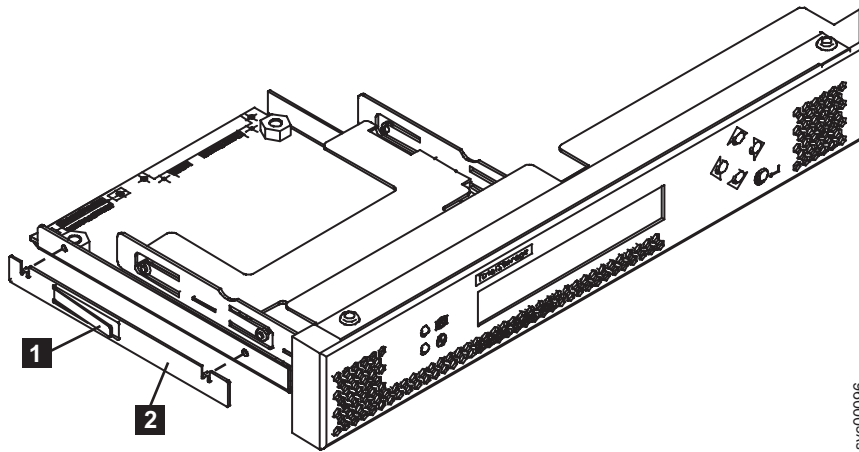


Figure 83. SAN Volume Controller 2145-8F2 or SAN Volume Controller 2145-8F4 service controller

**1** Release latch

**2** Retention clip

6. Press the release latch **1** and then pull the service controller forward and out of the cage assembly.

**Note:** When you replace a service controller, it is normal to change the worldwide node name (WWNN) of the new service controller to match the one that is being replaced. In this case, you will have two service controllers with the same WWNN. Clearly label the service controller that you are removing and indicate that its WWNN is now a duplicate and that it must not be connected to a SAN before its WWNN is reset.

7. Remove the retention clip **2**. Make sure to save the retention clip for when you reinstall the node.

## Replacing the service controller

You can replace the SAN Volume Controller service controller.

### | Replacing the SAN Volume Controller 2145-CG8 or 2145-CF8 service controller

| Use the following information to replace the SAN Volume Controller 2145-CG8 or 2145-CF8 service controller.

| To replace the service controller, perform the following steps:

- | 1. When the service controller, as shown by **1** in Figure 84 on page 96, is close enough to the USB cable (**3**), attach the cable to the service controller, if necessary.

|

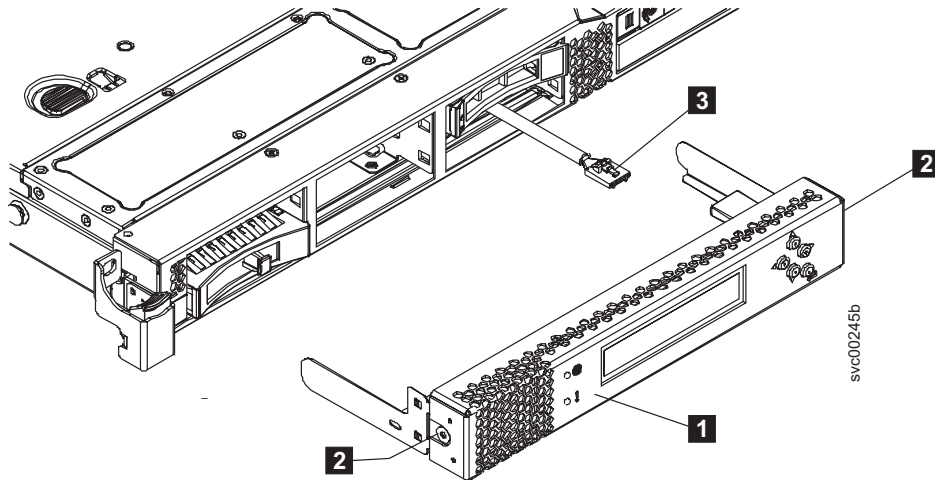


Figure 84. SAN Volume Controller 2145-CG8 or 2145-CF8 service controller (SAN Volume Controller 2145-CF8 shown)

- 1 Service controller
- 2 Service-controller release buttons
- 3 USB service-controller cable

2. Align the service controller with the service controller bay on the SAN Volume Controller 2145-CG8 or 2145-CF8 node, and gently begin to push the service controller into the node.
3. Continue gently pushing the service controller into the frame until the rear connectors are fully seated and the front metal work of the service controller is up to the frame.

**Important:** Ensure that the USB cable is pushed back into the empty drive bay, and ensure that the cable is not trapped above or below the bay.

4. If you removed the node from the rack, replace the node in the rack, as described in “Replacing the SAN Volume Controller in a rack” on page 55.
5. If you removed any Fibre Channel or Ethernet cables, use the labels you placed on each cable to replace all Fibre Channel and Ethernet cables in the same ports from which they were removed.
6. If you removed the power cords, replace the power cords and the cable-retention brackets, as described in “Replacing the cable-retention bracket” on page 39.
7. If you pulled out the node to the fully-extended position on the rack, lift the locking levers ( 1 in Figure 85 on page 97) on the slide rails and push the server 2 all the way into the rack until it clicks into place.

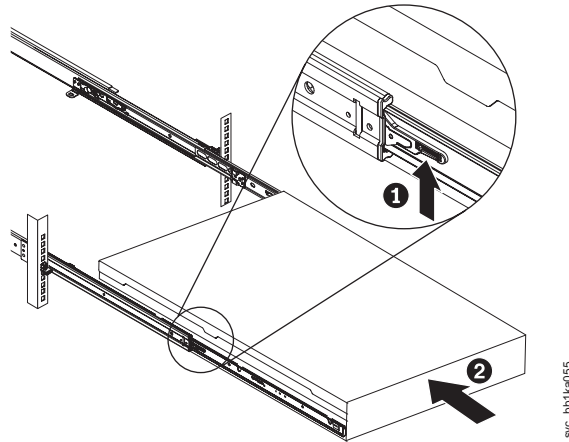


Figure 85. Raising the locking levers of the slide rails of the rack

8. Turn on the node.

**Note:** The worldwide port names (WWPNs) of the Fibre Channel ports are derived from the worldwide node name (WWNN) of the service controller. If you do not perform step 9, you might have to rezone the Fibre Channel switches if the switch zoning uses WWPN. You must restart the host systems before they are able to access disks through this node.

9. If you replaced the service controller as part of concurrent maintenance, you must rewrite the WWNN on the new service controller. If you do not, and the Fibre Channel switch zoning uses WWPNs, you cannot add the node back into the cluster until the Fibre Channel switches in the SAN are rezoned. Also, the host systems cannot access the Fibre Channel ports on that node until the host systems are reconfigured.

The node finally stops with **Validate WWNN** in the front panel. Press **select** and use the left and right buttons until either **Disk WWNN** or **Panel WWNN** is displayed. If you use **Disk WWNN**, which is what the node was using before the service controller was changed, you do not have to reconfigure SAN switches and applications.

Press and release the down button until **Use Disk WWNN** is displayed. If your selection is correct, press **Select** to verify that the WWNN that you set matches the WWNN that you recorded when you removed the service controller.

If the WWNN for the node is not correct, restore the WWNN by performing the following steps:

- a. Determine the WWNN for the node by examining the vital product data (VPD) of the node or the zoning that is defined in the SAN switch. Record the last five numbers of the WWNN for the node that you are working on.
- b. Start the node by performing a node rescue.
- c. Change the node WWNN by performing the following steps:
  - 1) On the front-panel display, press and release the down button until the **Node panel** is displayed. Then press and release the right button until the **Node WWNN:** panel is displayed.
  - 2) Press and hold the down button, press and release the select button, and then release the down button. The display switches into edit mode. **Edit WWNN** is displayed on line 1. Line 2 of the display shows the last five numbers of the WWNN that is currently set. The first number is highlighted.
  - 3) Change the highlighted number to match the number from the VPD or from customer zoning. Use the up and down buttons to increase or decrease the numbers. The numbers wrap F to 0 or 0 to F. Use the left and right buttons to move between the numbers.
  - 4) When the displayed value matches the numbers in the VPD or customer zoning, press and release the select button to accept the numbers. The **Node WWNN:** panel is displayed and the second line shows the last five numbers of the restored WWNN.

- | Wait one minute. If Cluster: *cluster\_name* is displayed, the node has rejoined the cluster. If Cluster:
- | does not display, see "MAP 5000" in the *IBM System Storage SAN Volume Controller Troubleshooting Guide* to
- | determine how to solve this problem or contact the IBM support center.

## Replacing the SAN Volume Controller 2145-8A4 service controller

Use the following information to replace the SAN Volume Controller 2145-8A4 service controller.

To replace the service controller, perform the following steps:

1. Gently push the service controller (shown in Figure 86) into the frame until the rear connectors are fully seated and the service controller front metal work is up to the frame.

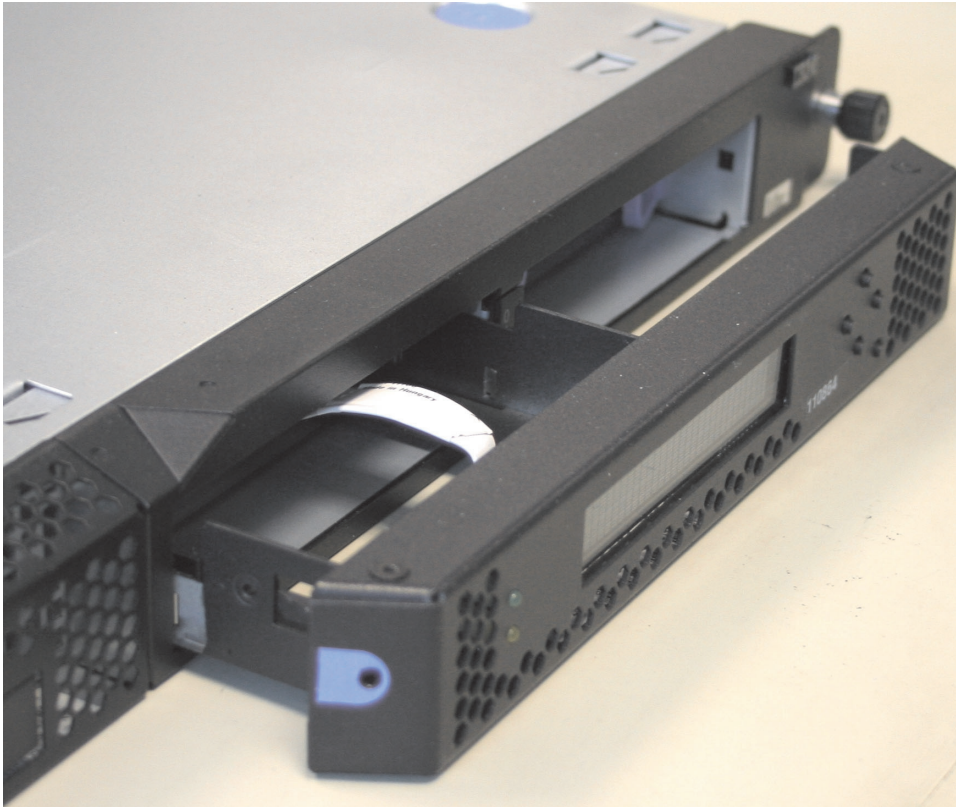


Figure 86. SAN Volume Controller 2145-8A4 service controller

2. Connect the power cable to the node and replace the cable-retention bracket. See "Replacing the cable-retention bracket" on page 39.

**Note:** If you replaced the service controller as part of concurrent maintenance, you must rewrite the WWNN on the new service controller. If you do not, and the Fibre Channel switch zoning uses WWPNNs, you cannot add the node back into the cluster until the Fibre Channel switches in the SAN are re-zoned. Also, the host systems cannot access the Fibre Channel ports on that node until the host systems are rebooted.

To restore the WWNN, perform the following steps:

- a. Determine the WWNN for the node by examining the vital product data (VPD) of the node or the zoning that is defined in the SAN switch. Record the last five numbers of the WWNN for the node that you are working on.
- b. Start the node by performing a node rescue.
- c. Change the node WWNN by performing the following steps:



- 1) On the front-panel display, press and release the down button until the Node panel is displayed. Then press and release the right button until the Node WWNN: panel is displayed.
- 2) Press and hold the down button, press and release the select button, and then release the down button. The display switches into edit mode. Edit WWNN is displayed on line 1. Line 2 of the display shows the last five numbers of the WWNN that is currently set. The first number is highlighted.
- 3) Change the highlighted number to match the number from the VPD or from customer zoning. Use the up and down buttons to increase or decrease the numbers. The numbers wrap F to 0 or 0 to F. Use the left and right buttons to move between the numbers.
- 4) When the displayed value matches the numbers in the VPD or customer zoning, press and release the select button to accept the numbers. The Node WWNN: panel is displayed and the second line shows the last five numbers of the restored WWNN.

Wait one minute. If Cluster: is displayed on the front panel, this indicates that the node is ready to be added to the system. If Cluster: does not display, see MAP 5000 in the *IBM System Storage SAN Volume Controller Troubleshooting Guide* to determine how to solve this problem or contact the IBM support center.

### Replacing the SAN Volume Controller 2145-8G4 service controller

Use the following information to replace the SAN Volume Controller 2145-8G4 service controller.

To replace the service controller, perform the following steps:

1. Gently push the service controller (shown in Figure 87) into the frame until the rear connectors are fully seated and the service controller front metal work is up to the frame.



Figure 87. SAN Volume Controller 2145-8G4 service controller

2. Slide the SAN Volume Controller 2145-8G4 back into the rack and check that all cables are still firmly in place.
3. Connect the power cable to the node and replace the cable-retention bracket. See “Replacing the cable-retention bracket” on page 39.

**Note:** The worldwide port names (WWPNs) of the Fibre Channel ports are derived from the worldwide node name (WWNN) of the service controller. If you do not perform step 4, you might have to re-zone the Fibre Channel switches if the switch zoning uses WWPN. You must restart the host systems before they are able to access disks through this node.

4. If you replaced the service controller as part of concurrent maintenance, you must rewrite the WWNN on the new service controller. If you do not, and the Fibre Channel switch zoning uses WWPNs, you cannot add the node back into the cluster until the Fibre Channel switches in the SAN are re-zoned. Also, the host systems cannot access the Fibre Channel ports on that node until the host systems are rebooted.

To restore the WWNN, perform the following steps:

- a. Determine the WWNN for the node by examining the vital product data (VPD) of the node or the zoning that is defined in the SAN switch. Record the last five numbers of the WWNN for the node that you are working on.
- b. Start the node by performing a node rescue.
- c. Change the node WWNN by performing the following steps:
  - 1) On the front-panel display, press and release the down button until the Node panel is displayed. Then press and release the right button until the Node WWNN: panel is displayed.
  - 2) Press and hold the down button, press and release the select button, and then release the down button. The display switches into edit mode. Edit WWNN is displayed on line 1. Line 2 of the display shows the last five numbers of the WWNN that is currently set. The first number is highlighted.
  - 3) Change the highlighted number to match the number from the VPD or from customer zoning. Use the up and down buttons to increase or decrease the numbers. The numbers wrap F to 0 or 0 to F. Use the left and right buttons to move between the numbers.
  - 4) When the displayed value matches the numbers in the VPD or customer zoning, press and release the select button to accept the numbers. The Node WWNN: panel is displayed and the second line shows the last five numbers of the restored WWNN.

Wait one minute. If Cluster: is displayed on the front panel, this indicates that the node is ready to be added to the system. If Cluster: does not display, see "MAP 5000" in the *IBM System Storage SAN Volume Controller Troubleshooting Guide* to determine how to solve this problem or contact the IBM support center.

## **Replacing the SAN Volume Controller 2145-8F4 or SAN Volume Controller 2145-8F2 service controller**

Use the following information to replace the SAN Volume Controller 2145-8F4 or SAN Volume Controller 2145-8F2 service controller.

To replace the service controller, perform the following steps:

1. Place the retention clip (**2** in Figure 88 on page 101) over the locating holes on the left side of the service controller.

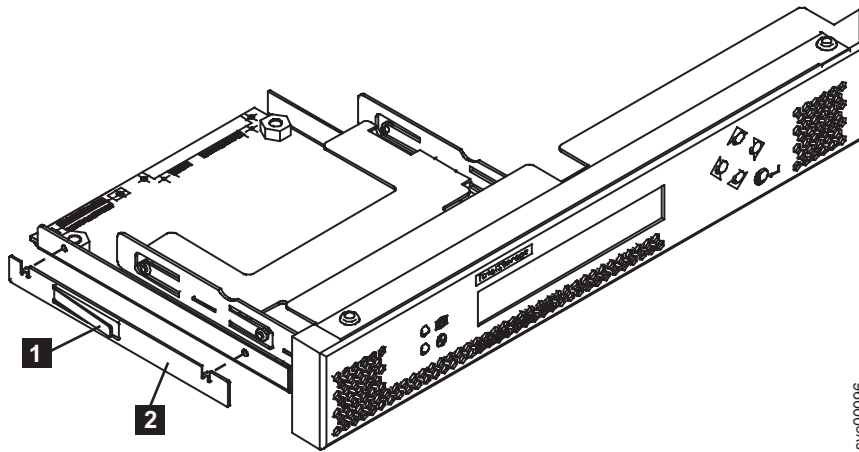


Figure 88. SAN Volume Controller 2145-8F2 or SAN Volume Controller 2145-8F4 service controller

2. Push the service controller into the cage until the retention clip engages.
3. Relocate the cage assembly and close the blue levers to secure the cage assembly to the frame.
4. Close the fan door ( **1** in Figure 89) and replace the node in the rack.

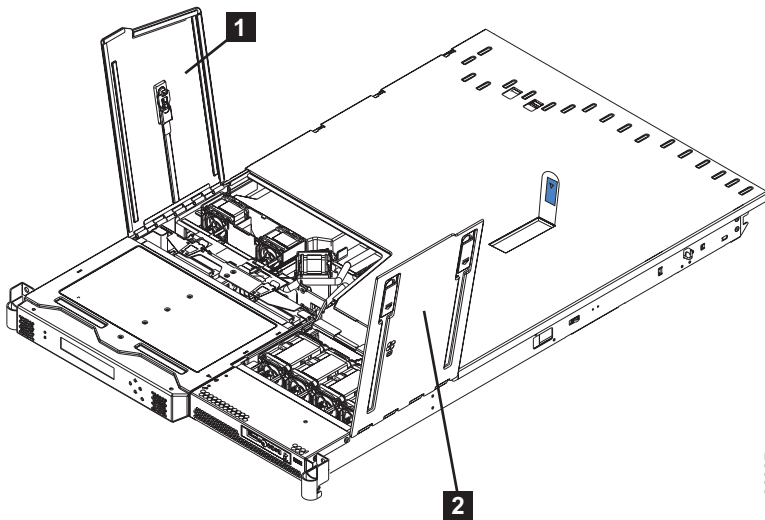


Figure 89. SAN Volume Controller 2145-8F2 or SAN Volume Controller 2145-8F4 with fan doors open

**Note:** The worldwide port names (WWPNs) of the Fibre Channel ports are derived from the worldwide node name (WWNN) of the service controller. If you do not perform step 5, you might have to re-zone the Fibre Channel switches if the switch zoning uses WWPN. You must restart the host systems before they are able to access disks through this node.

5. If you replaced the service controller as part of concurrent maintenance, you must rewrite the WWNN on the new service controller. If you do not, and the Fibre Channel switch zoning uses WWPNs, you

cannot add the node back into the cluster until the Fibre Channel switches in the SAN are re-zoned. Also, the host systems cannot access the Fibre Channel ports on that node until the host systems are rebooted.

To restore the WWNN, perform the following steps:

- a. Determine the WWNN for the node by examining the vital product data (VPD) of the node or the zoning that is defined in the SAN switch. Record the last five numbers of the WWNN for the node that you are working on.
- b. Start the node by performing a node rescue.
- c. Change the node WWNN by performing the following steps:
  - 1) On the front-panel display, press and release the down button until the Node panel is displayed. Then press and release the right button until the Node WWNN: panel is displayed.
  - 2) Press and hold the down button, press and release the select button, and then release the down button. The display switches into edit mode. Edit WWNN is displayed on line 1. Line 2 of the display shows the last five numbers of the WWNN that is currently set. The first number is highlighted.
  - 3) Change the highlighted number to match the number from the VPD or from customer zoning. Use the up and down buttons to increase or decrease the numbers. The numbers wrap F to 0 or 0 to F. Use the left and right buttons to move between the numbers.
  - 4) When the displayed value matches the numbers in the VPD or customer zoning, press and release the select button to accept the numbers. The Node WWNN: panel is displayed and the second line shows the last five numbers of the restored WWNN.

Wait one minute. If `Cluster:` is displayed on the front panel, this indicates that the node is ready to be added to the system. If `Cluster:` does not display, see "MAP 5000" in the *IBM System Storage SAN Volume Controller Troubleshooting Guide* to determine how to solve this problem or contact the IBM support center.

## Replacing a disk drive and a service controller on the SAN Volume Controller

When you replace a service controller at the same time that you replace the disk drive, you might not be able to perform a node rescue because the nonvolatile memory in the "new" service controller does not contain the operating system software required to do so.

Also, if you must replace the hard disk and the service controller at the same time, you cannot boot the node to perform node rescue. If you find that you cannot run node rescue, then use the following procedure to perform the rescue:

- Swap the service controller with a service controller from a working node. The results are the following:
  - The "new" service controller that is swapped into the working node has its nonvolatile memory updated when the node is booted from the hard disk.
  - The service controller that is swapped into the failed node from the working node contains the operating system that is required to perform node rescue on that failed node.
- When all updates are complete, swap the service controllers again, returning them to their original nodes.

## Removing and replacing the SAN Volume Controller power-cable assembly

Make sure that power to the SAN Volume Controller is turned off before you remove the power-cable assembly. Turn off the node while ensuring that its data is mirrored and synchronized, as described in MAP 5350 in the *IBM System Storage SAN Volume Controller Troubleshooting Guide*.

The power-cable assembly is composed of a power cable (two power cables in the SAN Volume Controller model 2145-CG8 or model 2145-CF8) and a signal cable that are bound together. You can remove the power-cable assembly if you have problems with the power supply and suspect that a power or signal cable is defective. When removing the power-cable assembly, ensure that you also remove it from the uninterruptible power supply.

Perform the following steps to remove the power-cable assembly:

1. Check the SAN Volume Controller models 2145-CG8, 2145-CF8, 2145-8A4, 2145-8G4, and 2145-8F4 or 2145-8F2 power LED ( **1** in Figure 90).
  - If the light is on, go to step 2.
  - If the light is either off or flashing, power has already been removed from the SAN Volume Controller. Go to step 7 on page 104.

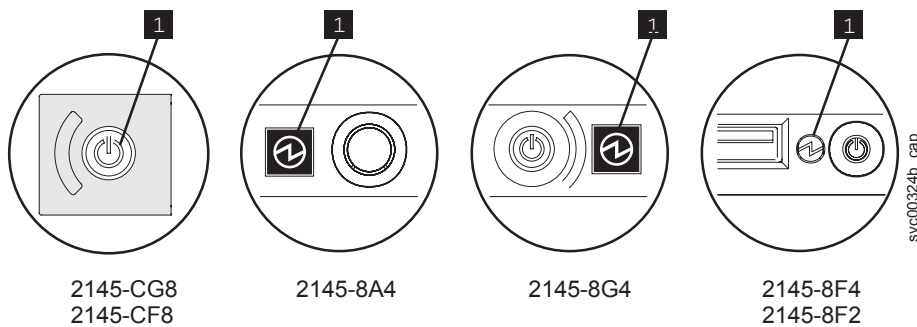


Figure 90. Power LED on the SAN Volume Controller models 2145-CG8, 2145-CF8, 2145-8A4, 2145-8G4, and 2145-8F4 or 2145-8F2 operator-information panel

### **1** Power LED

**Important:** SAN Volume Controller nodes operate in pairs. Both SAN Volume Controller nodes are in the same I/O group. One SAN Volume Controller must be operational if you are servicing the other SAN Volume Controller. If both SAN Volume Controller nodes are not functioning, you cannot access any of the disks in that I/O group.

2. Turn off the node while ensuring that its data is mirrored and synchronized. See MAP 5350 in the *IBM System Storage SAN Volume Controller Troubleshooting Guide* for more information.

**Attention:** If both SAN Volume Controller nodes are online, removing the power from one SAN Volume Controller can cause performance degradation while I/O operations are automatically rerouted to other SAN Volume Controller. Ensure that this performance outcome is acceptable before continuing with this procedure.

3. Press and release the power-control button **1** shown in Figure 91 on page 104 for SAN Volume Controller models 2145-CG8, 2145-CF8, 2145-8A4, 2145-8G4, and 2145-8F4 or 2145-8F2. Wait one minute for the SAN Volume Controller to turn off. Ignore a missing node error code if displayed by other nodes in the cluster. When maintenance procedures are completed, the error will resolve itself.

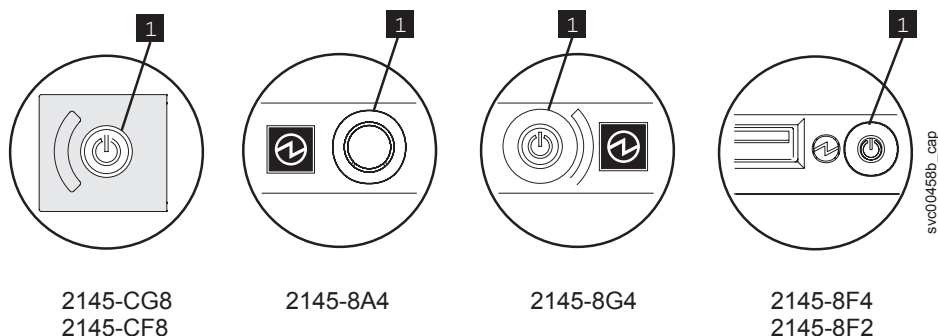


Figure 91. SAN Volume Controller models 2145-CG8, 2145-CF8, 2145-8A4, 2145-8G4, and 2145-8F4 or 2145-8F2 power-control button

### 1 Power-control button

4. For the SAN Volume Controller model 2145-CG8 or model 2145-CF8, pull back the cable-management arm, remove any cable ties or hook-and-loop fasteners that might be securing the power cords, and free the power cords from the cable-management arm.
5. For the SAN Volume Controller model 2145-CG8, 2145-CF8, 2145-8A4, 2145-8G4, or 2145-8F4, remove the cable-retention bracket, as described in “Removing the cable-retention bracket” on page 34.
6. Remove the cable-retention bracket from the 2145 UPS-1U, as described in “Removing and replacing the 2145 UPS-1U power cable-retention bracket” on page 306.
7. Remove the power cord from the back of the SAN Volume Controller node (or both power cords from the back of the SAN Volume Controller 2145-CG8 or 2145-CF8).
8. Replace the power cord (or both power cords for the SAN Volume Controller 2145-CG8 or 2145-CF8) and verify that each cord that you replace is seated well.
9. Replace the SAN Volume Controller model 2145-CG8, 2145-CF8, 2145-8A4, 2145-8G4, or 2145-8F4 cable-retention bracket and the 2145 UPS-1U cable-retention bracket.
10. For the SAN Volume Controller model 2145-CG8 or 2145-CF8, route the power cords on the cable-management arm, secure the power cords with cable ties or hook-and-loop fasteners, and close the cable-management arm.
11. If the SAN Volume Controller does not turn on automatically, press and release the power-control button.

## Removing the memory modules (DIMM)

You can remove a memory module.

The memory modules are electrostatic-discharge (ESD) sensitive. Take precautions to avoid damage from static electricity.

### Locating memory modules

If you do not need to remove all of the memory modules, use this information to locate a specific memory module for the SAN Volume Controller model.

After you find the location of the faulty memory module, go to “Removing memory modules” on page 108.

- SAN Volume Controller 2145-CG8: The SAN Volume Controller 2145-CG8 node uses three modules in DIMM slots **3**, **6**, and **9**, as shown in Figure 92 on page 105.

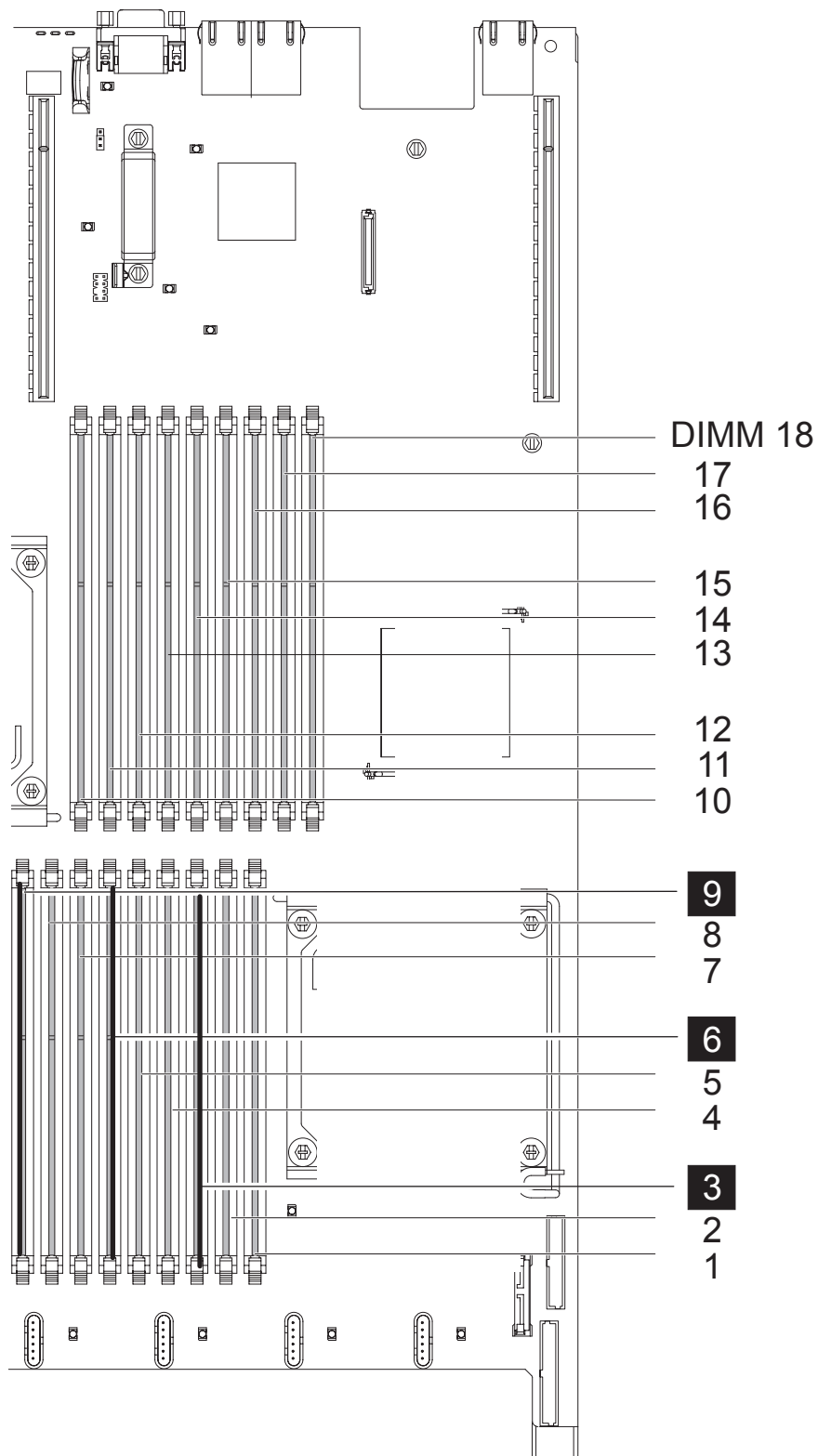
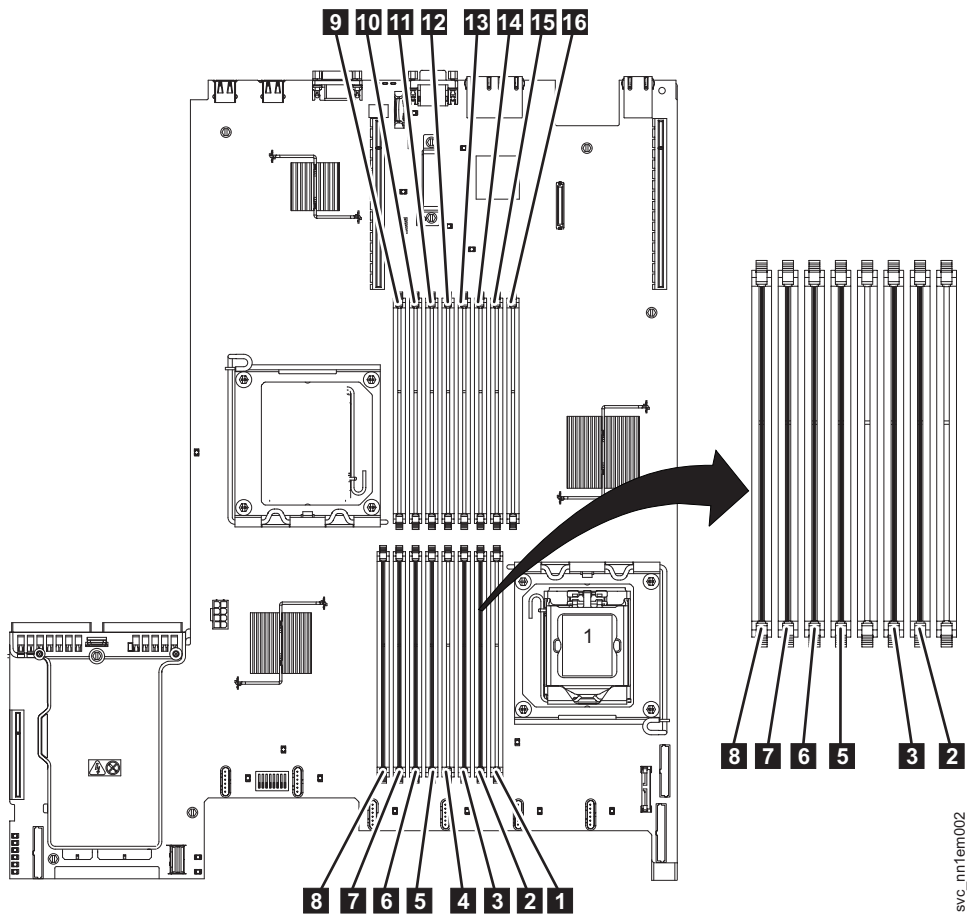


Figure 92. Locating the SAN Volume Controller 2145-CG8 memory modules

- SAN Volume Controller 2145-CF8: The SAN Volume Controller 2145-CF8 node uses six modules in DIMM slots **2**, **3**, **5**, **6**, **7**, and **8**, as shown in Figure 93 on page 106.



svc\_nn1em002

Figure 93. Locating the SAN Volume Controller 2145-CF8 memory modules

- SAN Volume Controller 2145-8A4: These modules are numbered **1** through **4**, as shown in Figure 94 on page 107.



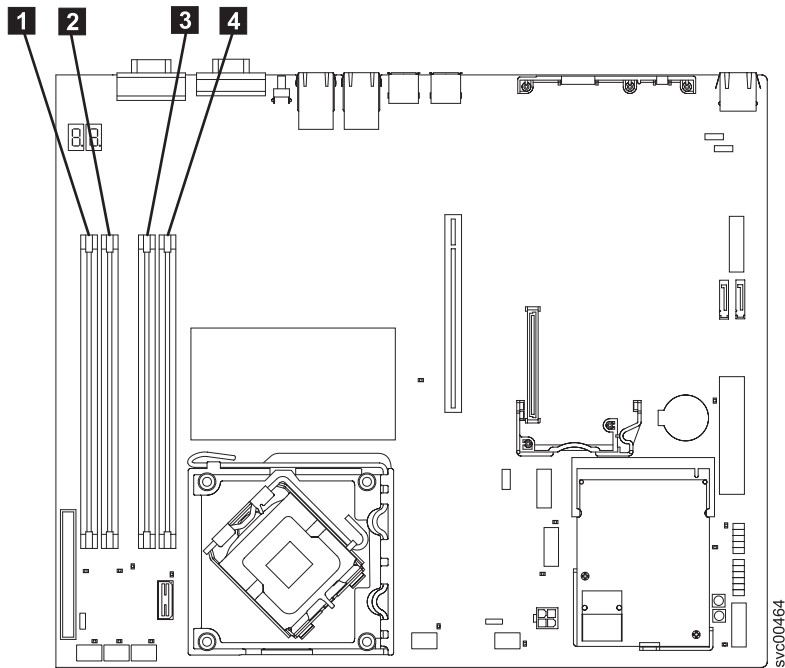


Figure 94. Locating the SAN Volume Controller 2145-8A4 memory modules

- SAN Volume Controller 2145-8G4: There are two versions of this node.
  - The original version (Rev 1) uses eight 1 GB memory modules in slots **1** through **8**, which are shown in Figure 95.
  - The second version of this node (Rev 2) uses four 2 GB memory modules in slots **1**, **3**, **5**, and **7**.

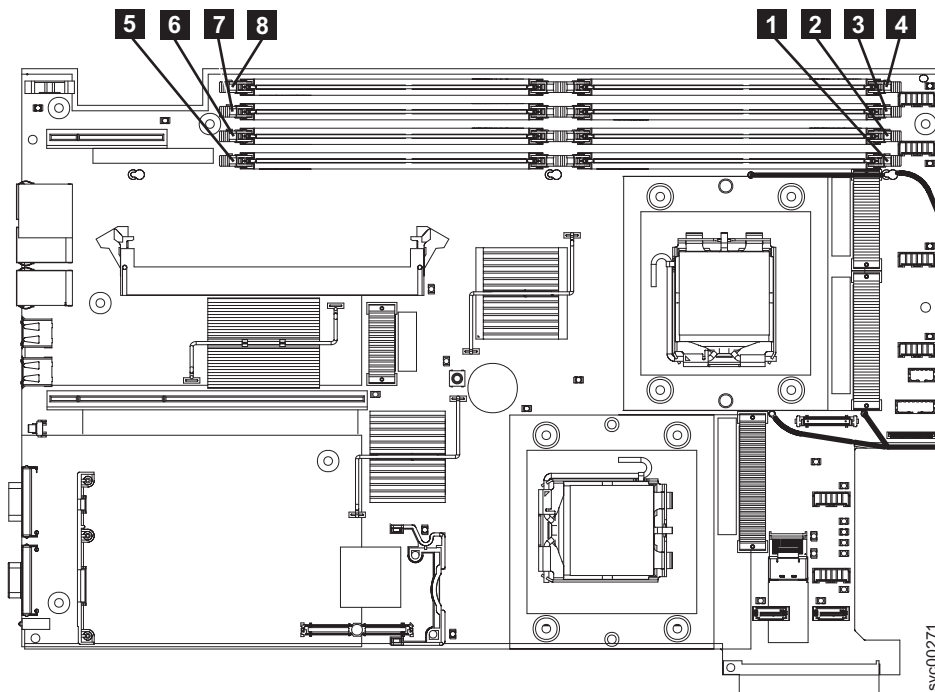


Figure 95. Locating the SAN Volume Controller 2145-8G4 memory modules

- SAN Volume Controller 2145-8F4 or SAN Volume Controller 2145-8F2: These modules are numbered **1** through **8**, as shown in Figure 96.

**Note:** If more than one SAN Volume Controller 2145-8G4, SAN Volume Controller 2145-8F4, or SAN Volume Controller 2145-8F2 DIMM is indicated by the light path diagnostics, replace the DIMMs one-at-a-time, starting at the lowest numbered DIMM slot that is indicated by the diagnostics.

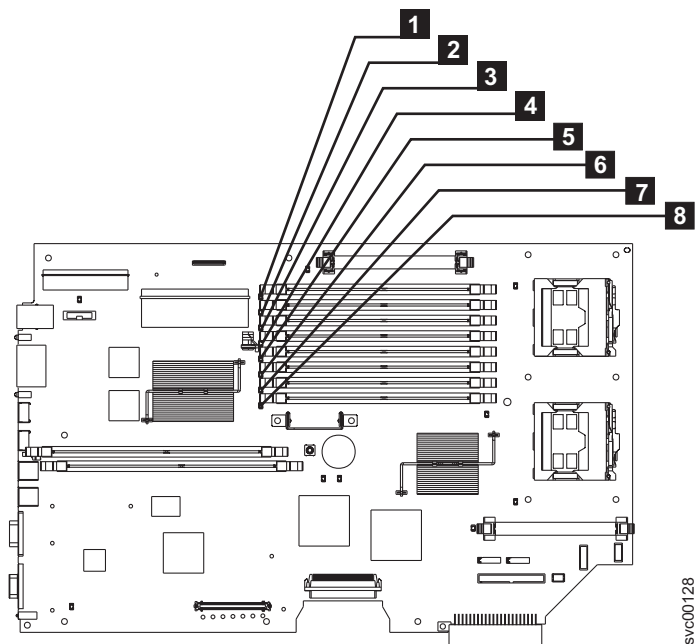


Figure 96. Locating the SAN Volume Controller 2145-8F2 or SAN Volume Controller 2145-8F4 memory modules

## Removing memory modules

This topic describes how to remove the memory modules.

Perform the following steps to remove the memory modules:

1. Follow the procedure in MAP 5350 in the *IBM System Storage SAN Volume Controller Troubleshooting Guide* to verify that the node data is mirrored and synchronized, and that there are no dependent volumes before turning off the node.
2. Remove the node from the rack and place it on a flat, static-protective surface. See “Removing the SAN Volume Controller from a rack” on page 46.
3. Remove the top cover. See “Removing the top cover” on page 77.
4. For the SAN Volume Controller 2145-CG8 or 2145-CF8, grasp the DIMM air baffle and lift the baffle up, making sure that the pin comes out of the pin hole on the system board to the left of DIMM connector 8.
5. Exchange the appropriate memory modules.
 

**Attention:** If the fault has been isolated only to the bank of modules instead of to a particular module, exchange all modules of the bank. Otherwise, if you need to remove fewer memory modules, see “Locating memory modules” on page 104. If more than one SAN Volume Controller 2145-8G4, SAN Volume Controller 2145-8F4, or SAN Volume Controller 2145-8F2 DIMM is indicated by the light path diagnostics, replace the DIMMs one-at-a-time, starting at the lowest numbered DIMM slot that is indicated by the diagnostics.
6. Open the clips **2** by pressing them outward, as shown in Figure 97 on page 109. This action pulls the memory module **3** out of the connector.

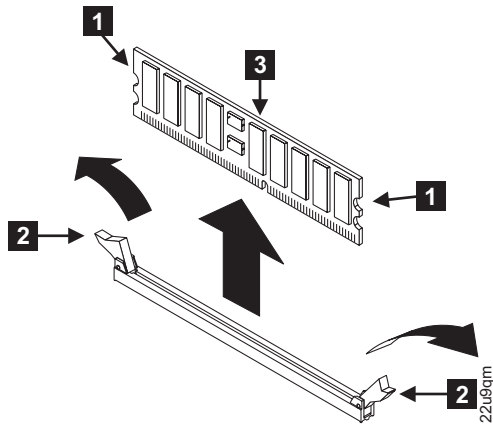


Figure 97. Removing the memory modules

- 1** Side connector latch
- 2** Memory clips
- 3** Memory module

7. If you have other tasks to complete inside the SAN Volume Controller, do those tasks now.

## Replacing the memory modules (DIMM)

The memory modules are electrostatic-discharge (ESD) sensitive. Take precautions to avoid damage from static electricity.

There are two versions of the SAN Volume Controller 2145-8G4 node: Rev 1 and Rev 2. One difference between these two versions is in the memory configuration. The original version (Rev 1) has eight 1 GB memory modules, while the second version (Rev 2) has four 2 GB memory modules. The label on the Rev 1 node does not include a version number. An additional label on the front of the Rev 2 node includes the version number. Ensure that you have the correct memory modules for the node that you are servicing.

Perform the following steps to replace the memory modules:

**Attention:** To avoid breaking the retaining clips or damaging the memory module connectors, open and close the clips gently.

1. With the clips **2** open, lower the memory module **3** into the connector, as shown in Figure 98 on page 110. Insert the DIMM fully to close the clips.

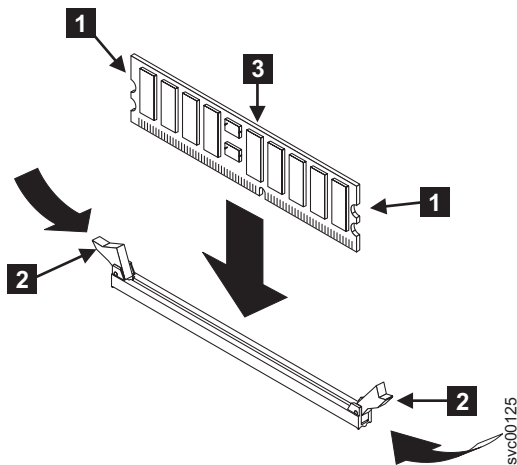


Figure 98. Replacing a memory module

2. For the SAN Volume Controller 2145-CG8 or 2145-CF8, grasp the DIMM air baffle and replace it, making sure that the pin goes into the pin hole on the system board to the left of DIMM connector 8.
3. Replace the top cover on the node.
4. Replace the node in the rack.
5. Restore all power to the node.
  - If a node error between 511 and 515 displays on the front panel, complete the following steps:
    - a. Use the power button to turn off the node.
    - b. Remove the power cable from the node.
    - c. Wait 20 seconds and then replace the power cable.
    - d. Turn on the node.
    - e. If the error displays again, the memory bank might be disabled. Complete the following steps to enable a disabled memory bank:
      - 1) Use the power button to turn off the node.
      - 2) Attach the display and keyboard to the rear panel connectors. No special cables are required.
      - 3) Turn on the node and press F1 until you the setup menu displays.
      - 4) Go to the configuration menu, select **Memory**, and enable the disabled memory bank.
      - 5) Save the settings, exit the configuration program, and then restart the node.
    - f. If the error displays again, remove and replace the memory module again to ensure that it is seated correctly. If that does not resolve the error, the memory module connector might be the problem. Replace the system board on the SAN Volume Controller models 2145-CG8, 2145-CF8, 2145-8A4, and 2145-8G4, or replace the frame assembly on the SAN Volume Controller 2145-8F4 and SAN Volume Controller 2145-8F2.
6. Make sure that all cables, adapters, and other components are installed and seated correctly and that you have not left loose tools or parts inside the node. Make sure that all internal cables are correctly routed. If you disconnected the Fibre Channel and Ethernet cables, make sure that each cable is reconnected to the same port from which it was removed.
7. For the SAN Volume Controller 2145-CG8 or 2145-CF8, grasp the DIMM air baffle and replace it, making sure that the pin goes into the pin hole on the system board to the left of DIMM connector 8.
8. Replace the top cover. See “Replacing the top cover” on page 81.

The procedure to replace the top cover also installs the node in the rack and turns on the node.

## Removing the disk drive

You might have to remove the disk drive for a service action.

## Removing the SATA disk drive for the SAN Volume Controller 2145-8A4 and the SAN Volume Controller 2145-8G4

This topic describes how to remove the SATA disk drive for the SAN Volume Controller 2145-8A4 and the SAN Volume Controller 2145-8G4.

You can remove the disk drive after you shut down the node.

To remove the SAN Volume Controller 2145-8A4 or the SAN Volume Controller 2145-8G4 disk drive, perform the following steps:

1. Make sure that the cover is in place and fully closed.

**Attention:** To avoid damage to the hard disk drive connectors, make sure that the cover is in place and fully closed whenever you install or remove a hard disk drive.

2. Turn off the node while ensuring that its data is mirrored and synchronized. See MAP 5350 in the *IBM System Storage SAN Volume Controller Troubleshooting Guide* for more information.
3. Remove the cable-retention bracket and disconnect the power cable from the node. See “Removing the cable-retention bracket” on page 34.
4. Remove the service controller. See “Removing the service controller” on page 85.
5. Pull the loops of the drive tray (shown in Figure 99) toward each other and pull the tray out of the bay.



Figure 99. SAN Volume Controller 2145-8A4 SATA disk drive

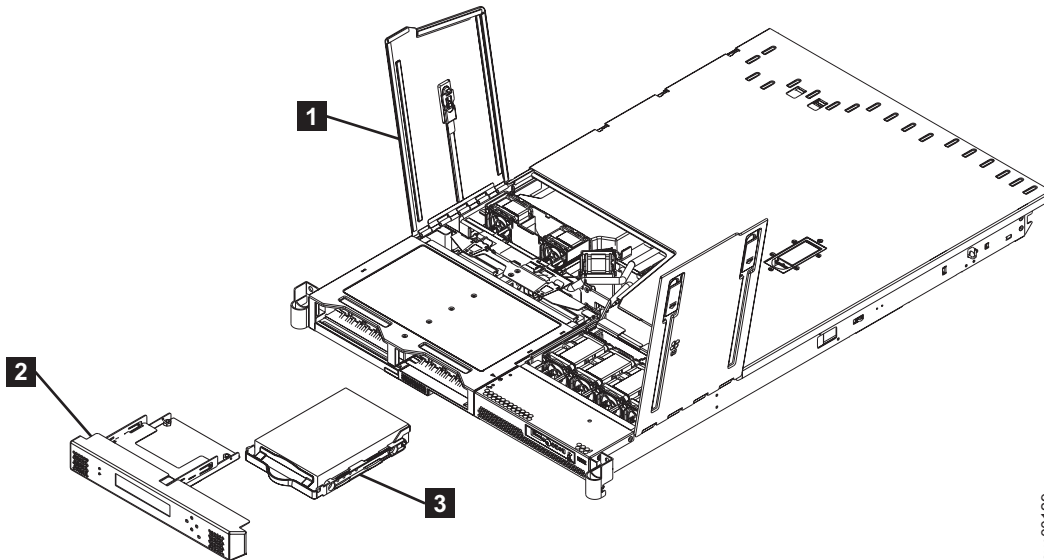
## Removing the SAN Volume Controller 2145-8F2 or SAN Volume Controller 2145-8F4 SATA disk drive

You can remove the disk drive after you shut down the node.

To remove the SAN Volume Controller 2145-8F2 or SAN Volume Controller 2145-8F4 disk drive, perform the following steps:

1. Turn off the node while ensuring that its data is mirrored and synchronized. See MAP 5350 in the *IBM System Storage SAN Volume Controller Troubleshooting Guide* for more information.

2. Remove the SAN Volume Controller 2145-8F4 cable retention bracket.
3. To make sure that you can replace all cables in the same ports from which they were removed, record the position of all Fibre Channel and Ethernet cables; then remove all cables from the back of the node.
4. Remove the node from the rack and place it on a flat, static-protective surface. See “Removing the SAN Volume Controller from a rack” on page 46.
5. Open fan door A (**1** in Figure 100).
6. Remove the service controller. See “Removing the service controller” on page 85.
7. Pull the disk drive out of the bay.



svc00129

Figure 100. Removing the SATA disk drive

- 1** Fan door A
- 2** Service controller
- 3** SATA disk drive

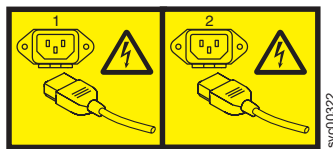
You can now replace the SAN Volume Controller 2145-8F2 or SAN Volume Controller 2145-8F4 disk drive.

## Removing the SAS boot drive from the SAN Volume Controller 2145-CG8 or 2145-CF8

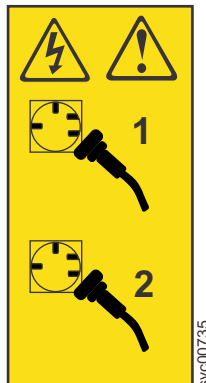
You can remove the SAS boot drive from the SAN Volume Controller 2145-CG8 or 2145-CF8.

### DANGER

Multiple power cords. The product might be equipped with multiple power cords. To remove all hazardous voltages, disconnect all power cords. (L003)



or



or



This service action requires you to turn off the node.

- To remove the SAN Volume Controller 2145-CF8 or 2145-CG8 disk drive, perform the following steps:
1. Read the safety information to which “Preparing to remove and replace parts” on page 26 refers.
2. Follow the procedure in MAP 5350 in the *IBM System Storage SAN Volume Controller Troubleshooting Guide* to verify that the node data is mirrored and synchronized, and that there are no dependent volumes before turning off the node.
3. Slide the node out on its slide rails to the fully extended position.

**Fast path:** You can perform this service procedure with the node in place. Slide the node out six inches to verify that the cover is in place, then return the node to its locked position.

You can perform most service actions when the node is fully extended from the rack on its slide rails. You can leave the Fibre Channel and Ethernet cables connected, if you are using the cable-management arm and if you are not removing the node from the rack. If the location of the node in the rack is too high or too low to work comfortably, you can remove the node from the rack.

4. Optional: If you must remove the node from the rack to work on it, perform the following procedure to remove all cables and remove the node from the rack:
  - a. Pull back the cable-management arm if you are working from the rear of the rack, or slide the node out of the rack to the fully extended rail position if you are working from the front.
  - b. When the node is completely turned off, remove the cable-retention brackets and disconnect the power cables, as described in “Removing the cable-retention bracket” on page 34.
  - c. To make sure that you can replace all cables in the same ports from which they were removed, label the port position of each Fibre Channel and Ethernet cable; then remove all cables from the back of the node.
  - d. Remove the node from the rack and place it on a flat, static-protective surface. See “Removing the SAN Volume Controller from a rack” on page 46.
5. Make sure that the cover is in place and fully closed.

**Attention:** To avoid damage to the disk drive connectors, make sure that the cover is in place and fully closed whenever you install or remove the hard-disk drive.

6. Remove the service controller. See “Removing the service controller” on page 85.  
You do not have to disconnect the service controller cable. You can suspend the service controller by its cable or rest the service controller on another surface while removing and replacing the drive.
7. Slide the orange release latch ( **1** in Figure 101) gently to the left to unlock the drive handle of the boot drive. For details on the boot drive location, see “IDs for SAN Volume Controller 2145-CG8 or 2145-CF8 disk drives” on page 115.

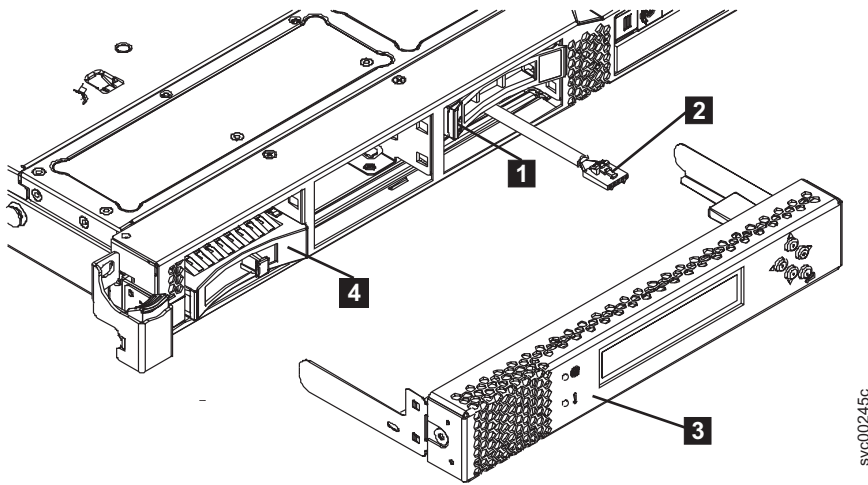


Figure 101. Boot drive location (SAN Volume Controller 2145-CF8 shown)

- 1** Boot-drive release latch (in drive bay 4 for the 2145-CF8 and in drive bay 6 for the 2145-CG8)
  - 2** Service-controller USB cable (in drive bay 5 for the 2145-CF8 and in drive bay 7 for the 2145-CG8)
  - 3** Service controller
  - 4** Drive bay filler panel (shown in drive bay 1 in the 2145-CF8 diagram, but also in all other unused drive bays on both the 2145-CF8 and the 2145-CG8)
8. Grasp the open drive handle and slide the drive out of the drive bay.



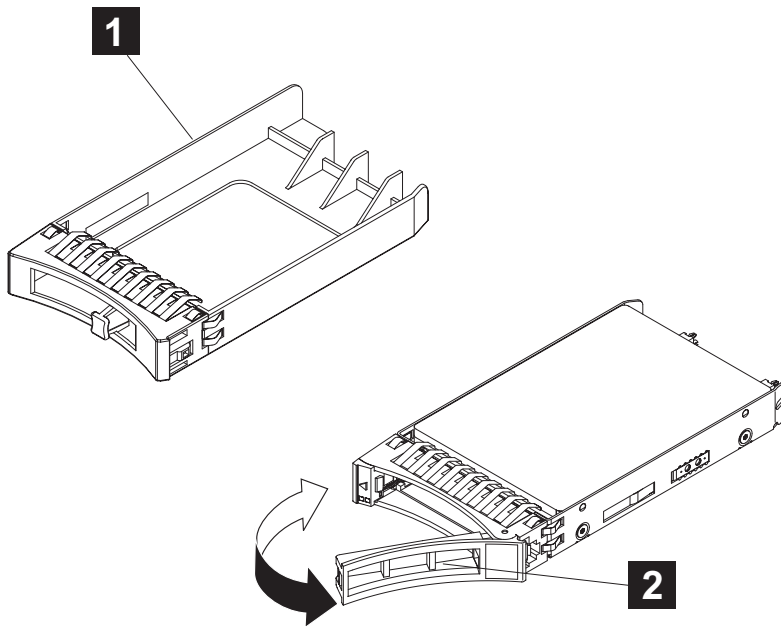


Figure 102. Drive-bay filler panel and disk-drive handle

- 1** Drive bay blank EMC filler assembly (used in all empty drive bays)
- 2** Handle of SAS disk drive

9. If you are instructed to return the drive assembly, follow all packaging instructions, and use any packaging materials for shipping that are supplied to you.

### IDs for SAN Volume Controller 2145-CG8 or 2145-CF8 disk drives

The hot-swap-drive ID that is assigned to each drive is printed on the front of the node, but is covered by the service controller.

Figure 103 shows the location of the disk drives for the SAN Volume Controller 2145-CF8 by drive ID.

The ID numbers and the drive-bay numbers are the same.

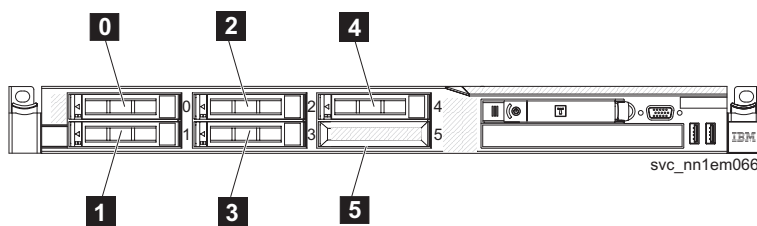


Figure 103. Drive IDs for SAN Volume Controller 2145-CF8

- 0** Drive bay 0
- 1** Drive bay 1
- 2** Drive bay 2
- 3** Drive bay 3
- 4** Drive bay 4 (reserved for the node boot disk)
- 5** Drive bay 5 (reserved for service controller)

Figure 104 shows the location of the disk drives for the SAN Volume Controller 2145-CG8 by drive ID.

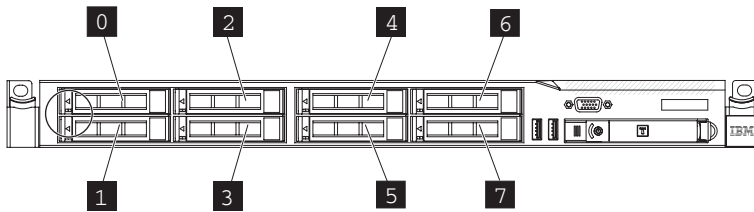


Figure 104. Drive bay IDs for the SAN Volume Controller 2145-CG8

- 0** Drive bay 0
- 1** Drive bay 1
- 2** Drive bay 2
- 3** Drive bay 3
- 4** Drive bay 4
- 5** Drive bay 5
- 6** Drive bay 6 (reserved for the node boot disk)
- 7** Drive bay 7 (reserved for service controller cable)

### Removing the SATA disk drive for the SAN Volume Controller 2145-8A4 and the SAN Volume Controller 2145-8G4

This topic describes how to remove the SATA disk drive for the SAN Volume Controller 2145-8A4 and the SAN Volume Controller 2145-8G4.

You can remove the disk drive after you shut down the node.

To remove the SAN Volume Controller 2145-8A4 or the SAN Volume Controller 2145-8G4 disk drive, perform the following steps:

1. Make sure that the cover is in place and fully closed.  
**Attention:** To avoid damage to the hard disk drive connectors, make sure that the cover is in place and fully closed whenever you install or remove a hard disk drive.
2. Turn off the node while ensuring that its data is mirrored and synchronized. See MAP 5350 in the *IBM System Storage SAN Volume Controller Troubleshooting Guide* for more information.
3. Remove the cable-retention bracket and disconnect the power cable from the node. See “Removing the cable-retention bracket” on page 34.
4. Remove the service controller. See “Removing the service controller” on page 85.
5. Pull the loops of the drive tray (shown in Figure 105 on page 117) toward each other and pull the tray out of the bay.



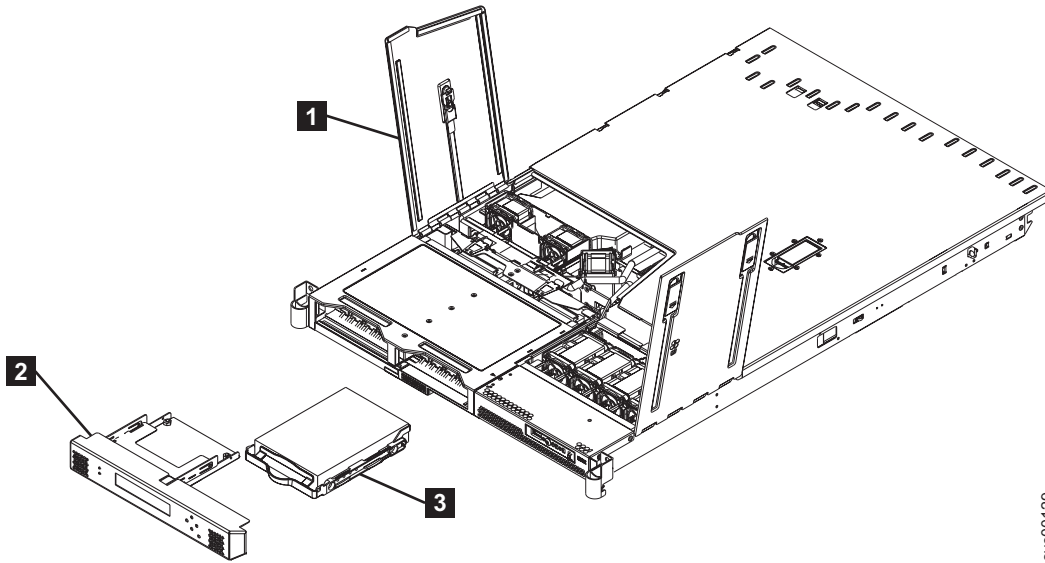
Figure 105. SAN Volume Controller 2145-8A4 SATA disk drive

## Removing the SAN Volume Controller 2145-8F4 or SAN Volume Controller 2145-8F2 SATA disk drive

You can remove the disk drive after you shut down the node.

To remove the SAN Volume Controller 2145-8F4 or SAN Volume Controller 2145-8F2 disk drive, perform the following steps:

1. Turn off the node while ensuring that its data is mirrored and synchronized. See MAP 5350 in the *IBM System Storage SAN Volume Controller Troubleshooting Guide* for more information.
2. Remove the SAN Volume Controller 2145-8F4 cable retention bracket.
3. To make sure that you can replace all cables in the same ports from which they were removed, record the position of all Fibre Channel and Ethernet cables; then remove all cables from the back of the node.
4. From the management GUI home page, click **System Status** and select the node to remove. Click **Manage > Remove Node**.
5. Open fan door A (**1** in Figure 106 on page 118).
6. Remove the service controller. See “Removing the service controller” on page 85.
7. Pull the disk drive out of the bay.



svc00129

Figure 106. Removing the SATA disk drive

- 1 Fan door A
- 2 Service controller
- 3 SATA disk drive

You can now replace the SAN Volume Controller 2145-8F4 or SAN Volume Controller 2145-8F2 disk drive.

## Replacing the disk drive

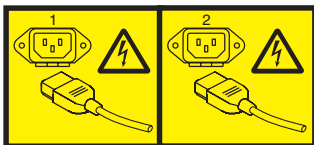
You might have to replace the disk drive for a service action.

### Replacing the SAN Volume Controller 2145-CG8 or 2145-CF8 SAS boot drive

You can replace the serial attached SCSI (SAS) boot drive for the SAN Volume Controller 2145-CF8 or 2145-CG8 node.

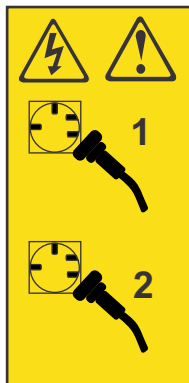
#### DANGER

Multiple power cords. The product might be equipped with multiple power cords. To remove all hazardous voltages, disconnect all power cords. (L003)



svc00322

or



svc00735

or



svc00734

The following notes describe information that you must consider when you install a hard-disk drive.

- Locate the documentation that comes with the disk drive and follow those instructions in addition to the instructions in this topic.
- Make sure that you have all the cables and other equipment that are specified in the documentation that comes with the drive.

• Install the boot drive in drive bay 4 for SAN Volume Controller 2145-CF8 nodes and in drive bay 6 for SAN Volume Controller 2145-CG8 nodes.

- Check the instructions that come with the drive to determine whether you have to set any switches or jumpers on the drive. Set the SAS ID for the device, if necessary.

To replace a SAN Volume Controller 2145-CF8 or 2145-CG8 disk drive, perform the following steps:

1. Read the safety information to which “Preparing to remove and replace parts” on page 26 refers.
2. Make sure that the node cover is in place and fully closed.

**Attention:** To avoid damage to the disk-drive connectors, make sure that the node cover is in place and fully closed whenever you remove or replace a disk drive.

3. Touch the static-protective package that contains the drive to any unpainted metal surface on the node; then, remove the drive from the package and place it on a static-protective surface.
4. Make sure that the disk-drive handle is in the open (unlocked) position.

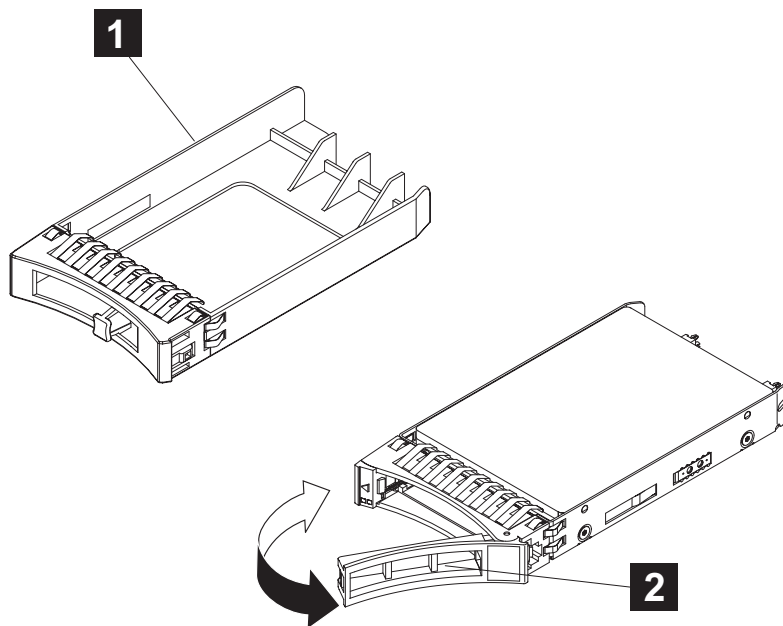


Figure 107. Drive-bay filler panel and disk-drive handle

**1** Drive bay filler panel (used in all empty drive bays)

**2** SAS disk drive with handle extended

5. Align the drive assembly with the guide rails in drive bay 4 (for SAN Volume Controller 2145-CF8) or bay 6 (for SAN Volume Controller 2145-CG8). See “IDs for SAN Volume Controller 2145-CG8 or 2145-CF8 disk drives” on page 115 for details.

6. Gently push the drive assembly into the bay until the drive stops.

**Attention:** On the 2145-CG8, inserting the disk drive too forcefully can damage the service controller cable. When inserting the disk drive, push the cable to the right hand side of the lower drive bay. Do not apply any force when inserting the disk drive. If the disk drive does not push fully home, reposition the cable closer to the right and try again.

7. Rotate the tray handle to the closed (locked) position.

8. Install the service controller. See “Replacing the service controller” on page 95.
9. If you removed the node from the rack, replace the node in the rack, as described in “Replacing the SAN Volume Controller in a rack” on page 55.
10. Make sure that all cables, adapters, and other components are installed and seated correctly and that you have not left loose tools or parts inside the node. Make sure that all internal cables are correctly routed. If you disconnected the Fibre Channel and Ethernet cables, make sure that each cable is reconnected to the same port from which it was removed.
11. If you removed the power cords, replace the power cords and the cable-retention brackets, as described in “Replacing the cable-retention bracket” on page 39.
12. Lift the locking levers ( **1** in Figure 108) on the slide rails and push the server **2** all the way into the rack until it clicks into place.

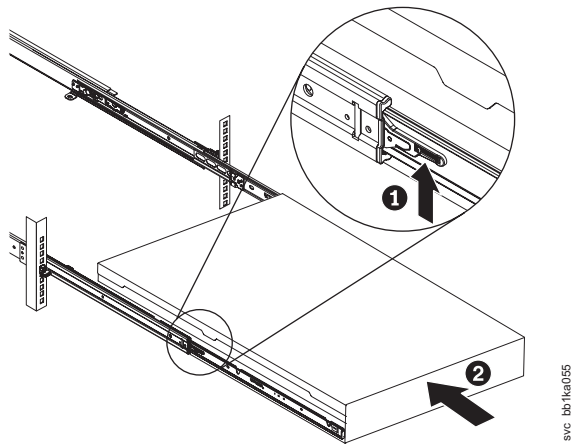


Figure 108. Raising the SAN Volume Controller 2145-CF8 or 2145-CG8 locking levers of the slide rails of the rack

13. Turn on the node. When you turn on the node, use the node rescue procedure to install the SAN Volume Controller software on the new disk. Then add the node back into the cluster. See “Performing the node rescue” in the *IBM System Storage SAN Volume Controller Troubleshooting Guide*.

**Note:** If you must replace the hard disk and the service controller at the same time, you might not be able to start the node to perform node rescue. See “Replacing a disk drive and a service controller on the SAN Volume Controller” on page 102.

## Replacing the SAN Volume Controller 2145-8A4 and the SAN Volume Controller 2145-8G4 SATA disk drive

This topic describes how to replace the SATA disk drive for the SAN Volume Controller 2145-8A4 and the SAN Volume Controller 2145-8G4 nodes.

You can replace the SATA (serial advanced technology attachment) disk drive after you remove the existing disk drive.

To replace the SAN Volume Controller 2145-8A4 and the SAN Volume Controller 2145-8G4 disk drive, perform the following steps:

1. Make sure that the node cover is in place and fully closed.
 

**Attention:** To avoid damage to the hard disk drive connectors, make sure that the node cover is in place and fully closed whenever you remove or replace a hard disk drive.
2. Find the rails assembly and screws that are shipped with the new disk drive. Attach the rails assembly to the disk drive with four screws, as shown in Figure 109 on page 121, using two on each side of the disk.



Figure 109. Attaching the rails assembly to the SATA disk drive for the SAN Volume Controller 2145-8A4 and the SAN Volume Controller 2145-8G4

3. Pull the loops of the rails toward each other and slide the drive into the node until the drive connects to the backplane.
4. Release the loops of the drive tray.
5. Install the service controller. See “Replacing the service controller” on page 95.
6. Reconnect the power cords and the Fibre Channel and Ethernet cables. Ensure that you replace the Fibre Channel and Ethernet cables in the same ports from which they were removed.
7. Turn on the node. When you turn on the node, use the node rescue procedure to install the SAN Volume Controller software on the new disk. Then add the node back into the cluster. See “Performing the node rescue” in the *IBM System Storage SAN Volume Controller Troubleshooting Guide*.

**Note:** If you must replace the hard disk and the service controller at the same time, you cannot start the node to perform node rescue. See “Replacing a disk drive and a service controller on the SAN Volume Controller” on page 102.

### Replacing the SAN Volume Controller 2145-8F4 or SAN Volume Controller 2145-8F2 SATA disk drive

This topic describes how to replace the SATA (serial advanced technology attachment) disk drive for the SAN Volume Controller 2145-8F2 and the SAN Volume Controller 2145-8F4 nodes.

The SAN Volume Controller 2145-8F4 or SAN Volume Controller 2145-8F2 SATA disk drive can be replaced after you remove the existing disk drive.

To replace the SAN Volume Controller 2145-8F4 or SAN Volume Controller 2145-8F2 disk drive, perform the following steps:

1. Slide the disk drive into the bay until the rear of the drive snaps into place with the rear panel-mount connector.
2. Install the service controller. See “Replacing the service controller” on page 95.
3. Place the node in the rack. See “Replacing the SAN Volume Controller in a rack” on page 55.
4. Reconnect the power cords and the Fibre Channel and Ethernet cables. Ensure that you replace the Fibre Channel and Ethernet cables in the same ports from which they were removed.

- Turn on the node. When you turn on the node, use the node rescue procedure to install the SAN Volume Controller software on the new disk. Then add the node back into the cluster. See "Performing the node rescue" in the *IBM System Storage SAN Volume Controller Troubleshooting Guide*.

**Note:** If you must replace the hard disk and the service controller at the same time, you cannot start the node to perform node rescue. See "Replacing a disk drive and a service controller on the SAN Volume Controller" on page 102.

## Removing a solid-state drive (SSD)

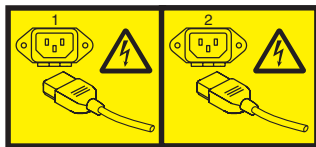
You can remove solid-state drives (SSDs) in the 2145-CG8 or 2145-CF8.

### Removing a SAN Volume Controller 2145-CG8 or 2145-CF8 solid-state drive (SSD)

You can remove an installed solid-state drive (SSD) from a SAN Volume Controller 2145-CF8 node.

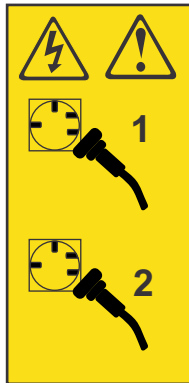
#### DANGER

**Multiple power cords. The product might be equipped with multiple power cords. To remove all hazardous voltages, disconnect all power cords. (L003)**



svc00322

or



svc00735

or



svc00734

If you are installing a high-speed SAS adapter feature and one or more solid-state drive (SSD) features, use the instructions that come with each MES upgrade to install and configure the high-speed SAS adapter and each solid-state drive (SSD).

This topic describes how to remove a solid-state drive (SSD) that was installed and configured, but that must now be removed from a SAN Volume Controller 2145-CF8 node.

The SAN Volume Controller 2145-CF8 node supports from one to four optional 2.5-inch SSDs in addition to the one required boot drive that ships with the node.

You do not have to turn off the node to perform this service action. You can leave the node turned on, the power cords connected, and the data cables connected to perform this service action from the fully extended rail position.

Although you do not have to turn off the node, SSDs require some planning before you can simply swap one drive for another.

See MAP 5350 in the *IBM System Storage SAN Volume Controller Troubleshooting Guide* for information about ensuring that data is mirrored and synchronized, and that there are no dependent volumes (VDisks) on the node before removing an SSD, whether you are turning off the node or swapping the drive while the node is turned on.



To remove the SAN Volume Controller 2145-CF8 solid-state drive (SSD), perform the following steps:

1. Read the safety information to which “Preparing to remove and replace parts” on page 26 refers.
2. Slide the node out on its slide rails to the fully extended position.

**Fast path:** You can perform this service procedure with the node in place. Slide the node out six inches to verify that the cover is in place, then return the node to its locked position.

You can perform most service actions when the node is fully extended from the rack on its slide rails. If the location of the node in the rack is too high or too low to work comfortably, you can remove the node from the rack.

3. Optional: If you must remove the node from the rack to work on it, perform the following procedure to turn off the node, remove all cables, and remove the node from the rack:
  - a. Follow the procedure in MAP 5350 in the *IBM System Storage SAN Volume Controller Troubleshooting Guide* to verify that the node data is mirrored and synchronized, and that there are no dependent volumes before turning off the node.
  - b. Pull back the cable-management arm if you are working from the rear of the rack, or slide the node out of the rack to the fully extended rail position if you are working from the front.
  - c. When the node is completely turned off, remove the cable-retention brackets and disconnect the power cables, as described in “Removing the cable-retention bracket” on page 34.
  - d. To make sure that you can replace all cables in the same ports from which they were removed, label the port position of each Fibre Channel and Ethernet cable; then remove all cables from the back of the node.
  - e. Remove the node from the rack and place it on a flat, static-protective surface. See “Removing the SAN Volume Controller from a rack” on page 46.
4. Make sure that the node top cover is in place and fully closed.

**Attention:** To avoid damage to the disk drive connectors, make sure that the node cover is in place and fully closed whenever you remove or replace a disk drive.

5. If the service controller ( **1** in Figure 110) is in place, press the release buttons ( **2** ) on each side of the service controller assembly to release the service controller from the node, but do not disconnect the USB service controller cable. Slide the service controller from the node and support it somewhere, if possible, or gently suspend the service controller from the service controller cable.

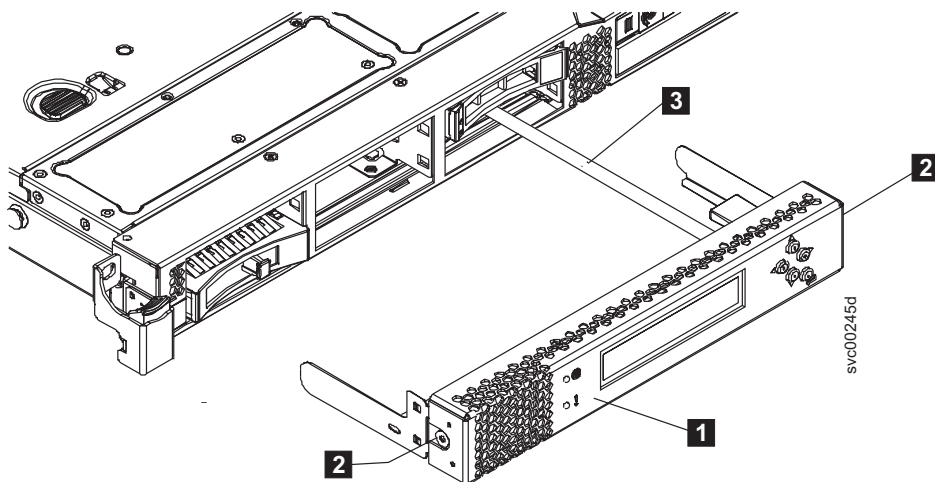


Figure 110. Service controller with attached USB cable (SAN Volume Controller 2145-CF8 shown)

- 1** Service controller
- 2** Service-controller release buttons
- 3** Service controller USB cable

6. Remove the drive from the drive bay:
  - a. Slide the orange release latch at the left end of the handle gently to the left to unlock the drive handle.
  - b. Rotate the drive handle to the open (unlocked) position, as shown in Figure 111.
  - c. Gently slide out the drive assembly along the guide rails until the drive is free of the drive bay.

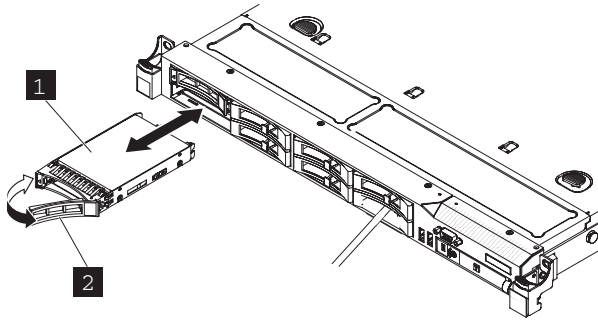


Figure 111. Solid-state drive (SSD) (SAN Volume Controller 2145-CG8 shown)

- 1** Solid-state drive (SSD)
- 2** Drive handle

The system error LED and the DASD diagnostics panel LED turn on when a solid-state drive (SSD) is removed from a drive bay. The system error LED and the DASD diagnostics panel LED turn off when the SSD is replaced in the drive bay. If you do not replace the SSD in the same drive bay, the system error LED and the DASD diagnostics panel LED remain lit. To clear the system error LED and the DASD diagnostics panel LED, turn off the node using the instructions given in MAP 5350 in the *IBM System Storage SAN Volume Controller Troubleshooting Guide* and remove both power cables.

7. If you are not replacing the drive right away, install a drive-bay blank electromagnetic compatibility (EMC) filler assembly into the empty drive bay.
 

To make sure that there is adequate system cooling, do not operate the server for more than 2 minutes without either a hard disk drive or a filler panel installed in each bay.

The electromagnetic interference (EMI) integrity and cooling of the node are protected by having all bays and PCI slots covered or occupied. When you install a drive, save the drive bay blank EMC filler assembly from the drive bay to cover any later removal of the device.
8. If you are removing additional hot-swap solid-state drives (SSDs), do so now.
9. If you are replacing drives, replace them now, as described in “Replacing a SAN Volume Controller 2145-CG8 or 2145-CF8 solid-state drive (SSD).”
10. If you are instructed to return the drive assembly, follow all packaging instructions, and use any packaging materials for shipping that are supplied to you.

## Replacing a solid-state drive (SSD)

You can replace solid-state drives (SSDs) in the 2145-CG8 or 2145-CF8.

### Replacing a SAN Volume Controller 2145-CG8 or 2145-CF8 solid-state drive (SSD)

You can remove an installed solid-state drive (SSD) from a SAN Volume Controller 2145-CG8 or 2145-CF8 node.

If you are installing a high-speed SAS adapter (feature code 4500) and one to four solid-state drives (SSDs) (feature code 4601), use the instructions that come with each MES upgrade to install and configure the high-speed SAS adapter and each solid-state drive (SSD).

This procedure describes how to replace a solid-state drive (SSD) that was installed and configured, but then removed.

Each of the SAN Volume Controller 2145-CG8 or 2145-CF8 nodes support from one to four 2.5-inch SSDs in addition to the required boot drive.

To replace the solid-state drive (SSD) from the SAN Volume Controller 2145-CG8 or 2145-CF8, perform the following steps:

1. Read the safety information to which “Preparing to remove and replace parts” on page 26 refers.
2. If the service controller is in place, press the release button on the side of the service controller assembly to release it from the node, but do not disconnect the USB service controller cable. Slide the service controller from the node and support it somewhere, if possible, or gently suspend the service controller from the service controller cable.
3. If the drive bay contains a drive-bay blank electromagnetic compatibility (EMC) filler assembly, remove the filler from the drive bay.

The electromagnetic interference (EMI) integrity and cooling of the node are protected by having all bays and PCI slots covered or occupied. When you install a drive, save the drive bay blank EMC filler assembly from the drive bay to cover any later removal of the device.

4. Touch the static-protective package that contains a new drive to any unpainted metal surface on the node; then, remove the drive from the package and place it on a static-protective surface.
5. Install the drive in the drive bay:

**Attention:** To avoid damage to the disk-drive connectors, ensure that the node cover is in place and fully closed whenever you remove or replace a disk drive.

- a. Make sure that the tray handle is in the open (unlocked) position.
- b. Align the drive assembly with the guide rails in the bay, as shown in Figure 112.

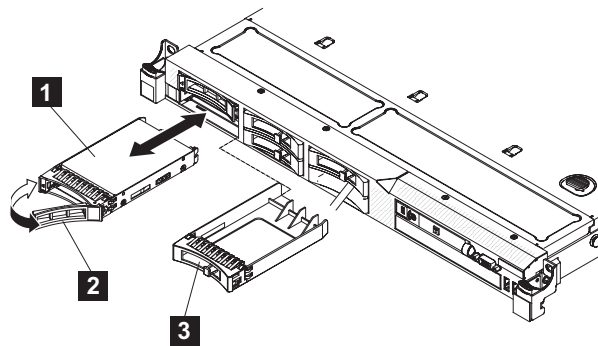


Figure 112. SAN Volume Controller 2145-CG8 or 2145-CF8 drive and drive-bay filler

- 1 Solid-state drive (SSD)
- 2 Drive handle
- 3 Drive-bay blank electromagnetic compatibility (EMC) filler assembly

- c. Gently push the drive assembly into the bay until the drive stops.
- d. Rotate the tray handle to the closed (locked) position.

The system error LED and the DASD diagnostics panel LED turn on when a solid-state drive (SSD) is removed from a drive bay. The system error LED and the DASD diagnostics panel LED turn off when the SSD is replaced in the drive bay. If you do not replace the SSD in the same drive bay, the system error LED and the DASD diagnostics panel LED remain lit. To clear the system error LED and the DASD diagnostics panel LED, turn off the node using the instructions given in MAP 5350 in the *IBM System Storage SAN Volume Controller Troubleshooting Guide* and remove both power cables.

6. If you are installing additional hot-swap solid-state drives (SSDs), do so now.

7. Install the service controller. See “Replacing the service controller” on page 95.
8. If you removed the node from the rack, replace the node in the rack, as described in “Replacing the SAN Volume Controller in a rack” on page 55.
9. Make sure that all cables, adapters, and other components are installed and seated correctly and that you have not left loose tools or parts inside the node. Make sure that all internal cables are correctly routed. If you disconnected the Fibre Channel and Ethernet cables, make sure that each cable is reconnected to the same port from which it was removed.
10. If you removed the power cords, replace the power cords and the cable-retention brackets, as described in “Replacing the cable-retention bracket” on page 39.
11. If you turned off the node during the service procedure, turn on the node.

## Removing the disk-drive backplane

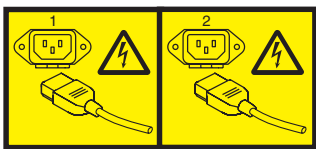
You might have to remove the disk-drive backplane, which includes the simple-swap SAS backplane in the SAN Volume Controller 2145-CG8 or 2145-CF8 or the SATA backplane for a SAN Volume Controller 2145-8A4 or SAN Volume Controller 2145-8G4.

### Removing the SAN Volume Controller 2145-CG8 or 2145-CF8 disk-drive backplane

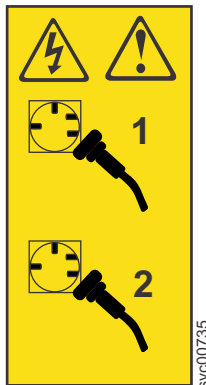
Use the following information to remove the SAN Volume Controller 2145-CG8 or 2145-CF8 disk-drive backplane.

#### DANGER

**Multiple power cords. The product might be equipped with multiple power cords. To remove all hazardous voltages, disconnect all power cords. (L003)**



or



or



This service action requires you to remove the cover and:

- Turn the node off.
- Disconnect the power cables.
- Disconnect the internal SAS data cables.

To remove the SAN Volume Controller 2145-CG8 or 2145-CF8 disk-drive backplane, complete the following steps:

1. Read the safety information to which “Preparing to remove and replace parts” on page 26 refers.
2. Follow the procedure in MAP 5350 in the *IBM System Storage SAN Volume Controller Troubleshooting Guide* to verify that the node data is mirrored and synchronized, and that there are no dependent volumes before turning off the node.
3. Slide the node out on its slide rails to the fully extended position.

4. When the node is completely turned off, remove the cable-retention brackets and disconnect the power cables, as described in “Removing the cable-retention bracket” on page 34.
5. Optional: To make sure that you can replace all cables in the same ports from which they were removed, label the port position of each Fibre Channel and Ethernet cable; then remove all cables from the back of the node.  
You can leave the Fibre Channel and Ethernet cables connected, if you are using the cable-management arm and if you are not removing the node from the rack.
6. Optional: Remove the node from the rack and place it on a flat, static-protective surface. See “Removing the SAN Volume Controller from a rack” on page 46.  
You can perform most service actions when the node is fully extended from the rack on its slide rails. If the location of the node in the rack is too high or too low to work comfortably, you can remove the node from the rack.
7. Remove the service controller. See “Removing the service controller” on page 85.
8. Pull the disk drives and filler panels out of the node slightly to disengage them from the backplane. See “Removing the disk drive” on page 110.
9. Remove the top cover. See “Removing the top cover” on page 77.
10. Remove fans 4, 5, and 6, as described in “Removing the SAN Volume Controller 2145-CG8 or 2145-CF8 fans” on page 239.
11. Disconnect all cables from the disk-drive backplane.

**Note:** You can also choose to disconnect the cables after removing the backplane from the brackets, if that is easier for you.

The high-speed SAS cable and the boot-disk SAS cable are shown in Figure 113 on page 128.

The boot-disk cable is shown after disconnecting the cable from the disk controller so that you can see the connectors more clearly.

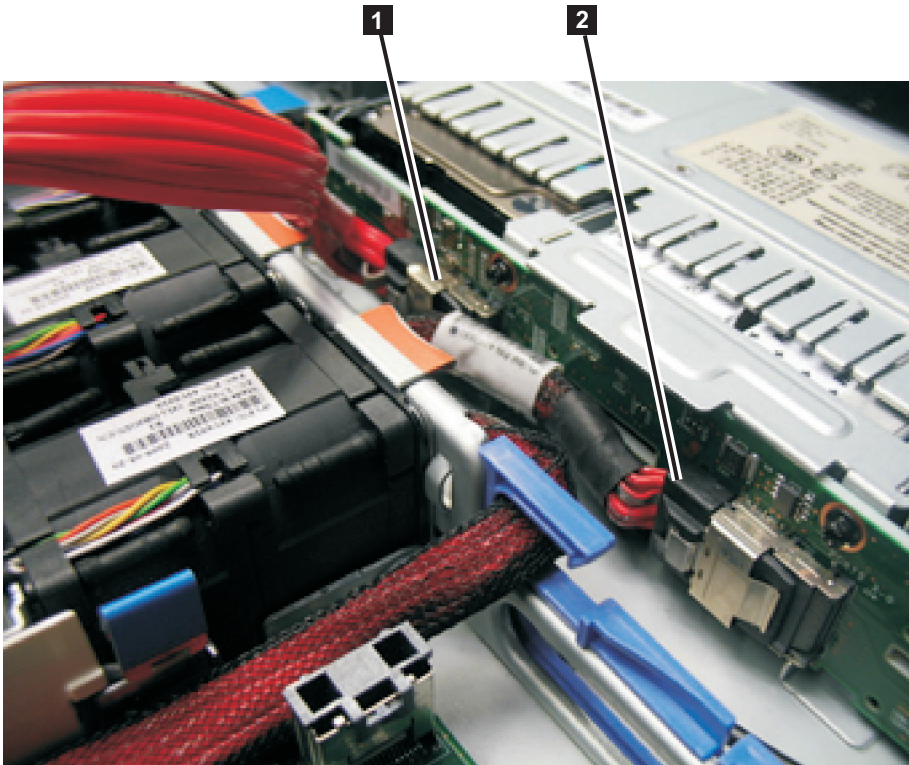


Figure 113. Boot-disk SAS cable and the high-speed SAS cable connected to the disk backplane in the SAN Volume Controller 2145-CG8 or 2145-CF8

The SAN Volume Controller 2145-CG8 has two backplanes. Each backplane supports four of the eight drive bays. One backplane supports the boot disk in drive bay 6 and drive bays 4, 5, and 7, which are either reserved or empty. The other backplane supports the optional solid-state drives (SSDs) in drive bays 0, 1, 2, and 3.

**1** Boot-disk signal cable that is plugged into the disk-drive backplane to support drive bay 6 on the SAN Volume Controller 2145-CG8 or drive bay 4 on the SAN Volume Controller 2145-CF8

**2** High-speed SAS-adapter cable that is plugged into the middle of the disk drive backplane to support drive bays 0, 1, 2, and 3

(Not pictured) Backplane-control cable that is in the lower right connector on the back of the backplane

12. Lift up the disk-drive backplane (**1** in each of the following two illustrations to disengage the backplane edges (2145-CG8) or tabs (2145-CF8) (**2**) from the slots (**3**) on a backplane bracket. In the 2145-CG8 node, pull up slowly on each backplane until it is clear of the slots on the bracket and remove it from the node, as shown in Figure 114 on page 129.

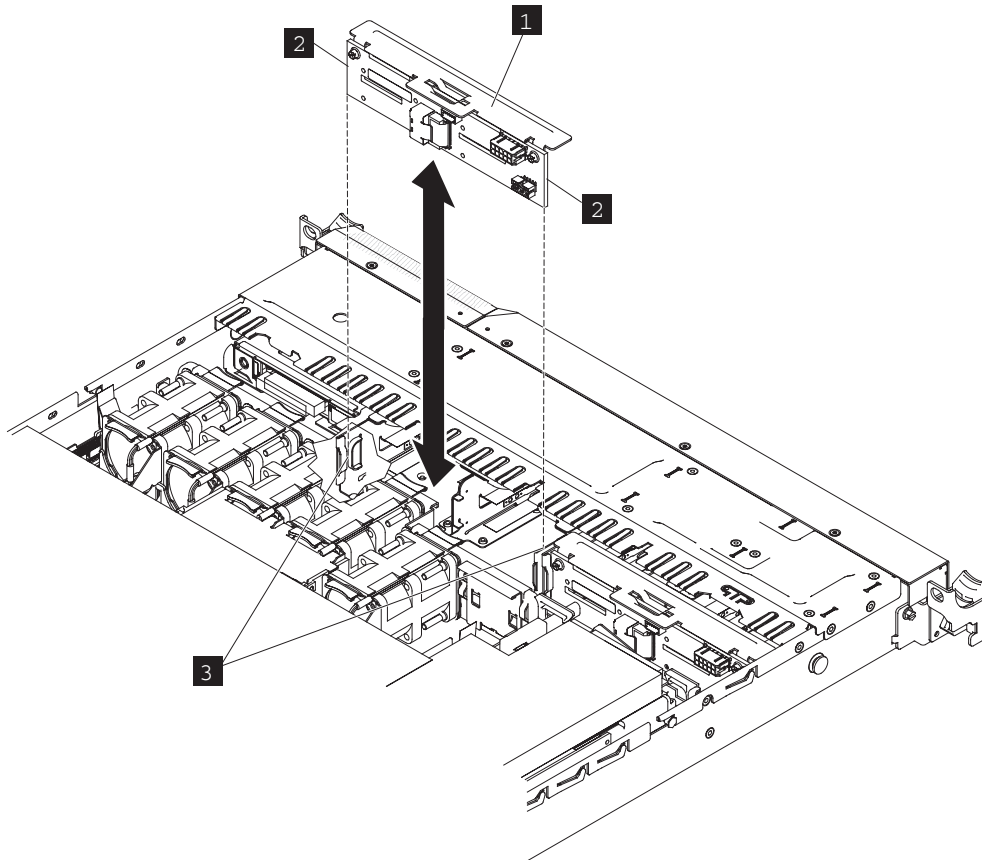


Figure 114. The 2145-CG8 boot-disk backplane

In the 2145-CF8 node, push the backplane backwards until it is clear of the slots on the bracket and remove it from the node, as shown in Figure 115 on page 130.

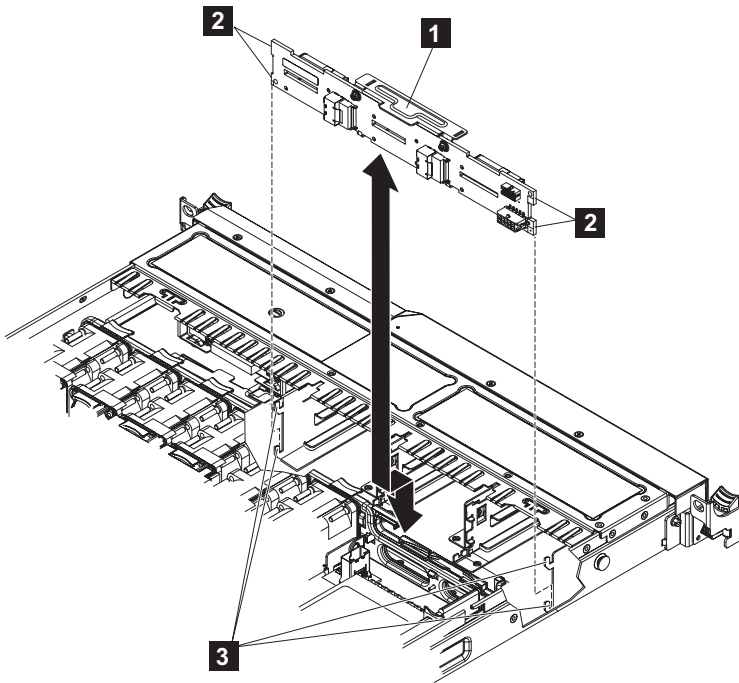


Figure 115. The SAN Volume Controller 2145-CF8 disk backplane

- 1** Disk-drive backplane
- 2** Backplane edges on the 2145-CG8 and tabs on the 2145-CF8
- 3** Backplane-bracket slots

13. If you are instructed to return a disk-drive backplane, follow all packaging instructions, and use any packaging materials for shipping that are supplied to you.

### Removing the SAN Volume Controller 2145-8A4 disk-drive backplane

Use the following information to remove the SAN Volume Controller 2145-8A4 disk-drive backplane.

To remove the SAN Volume Controller 2145-8A4 disk-drive backplane, including the SATA backplane, complete the following steps.

1. Read the safety precautions in “Safety and environmental notices” on page xiii.
2. Turn off the node while ensuring that its data is mirrored and synchronized. See MAP 5350 in the *IBM System Storage SAN Volume Controller Troubleshooting Guide* for more information.
3. Remove the cable-retention bracket and disconnect the power cable from the node. See “Removing the cable-retention bracket” on page 34.
4. Remove the node from the rack and place it on a flat, static-protective surface. See “Removing the SAN Volume Controller from a rack” on page 46.
5. Remove the service controller. See “Removing the service controller” on page 85.
6. Pull the hard disk drive out of the node slightly to disengage it from the backplane.
7. Remove the top cover. See “Removing the top cover” on page 77.
8. Notice where the two SATA cables that are connected to the backplane are connected to the system board, as shown in Figure 116 on page 131. Then disconnect the two SATA cables from the system board.





Figure 116. SAN Volume Controller 2145-8A4 SATA cable connectors

9. Rotate (lift) the air deflector **1** out of the way, as shown in Figure 117.

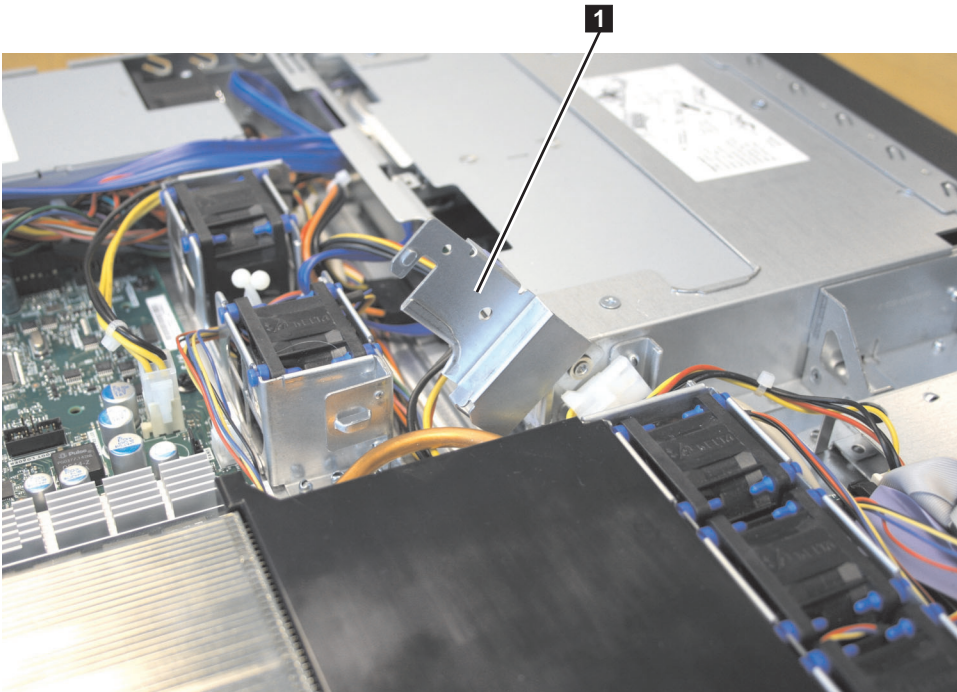


Figure 117. Air deflector for the SAN Volume Controller 2145-8A4 power supply

10. Slightly lift the backplane out of the node. Disconnect power cable connectors P2 **1** and P3 **2**, shown in Figure 118 on page 132, and remove the backplane.

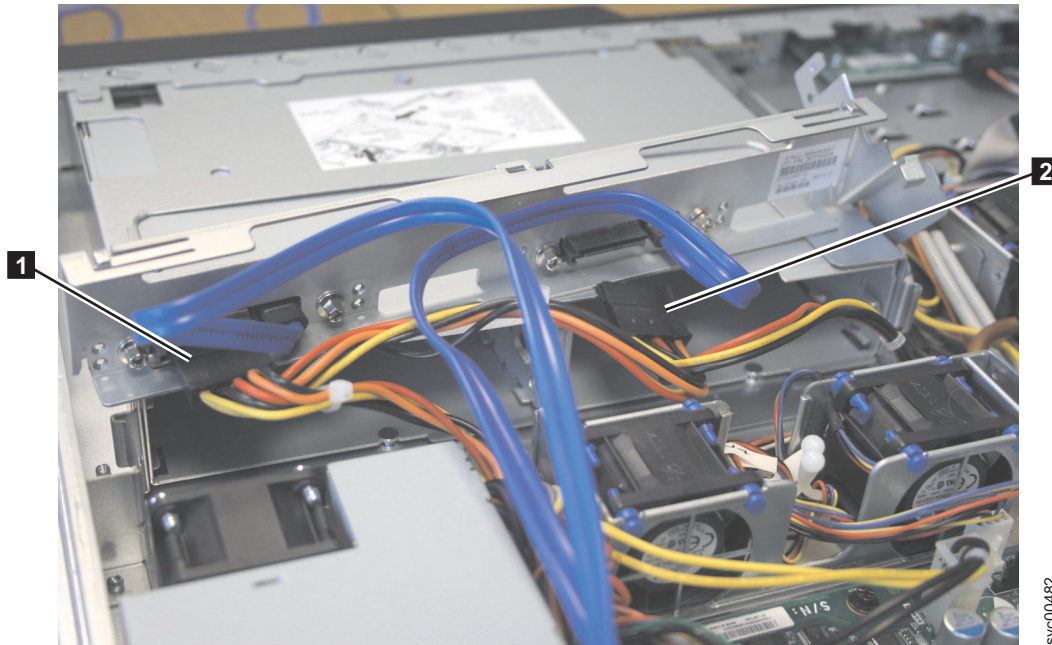


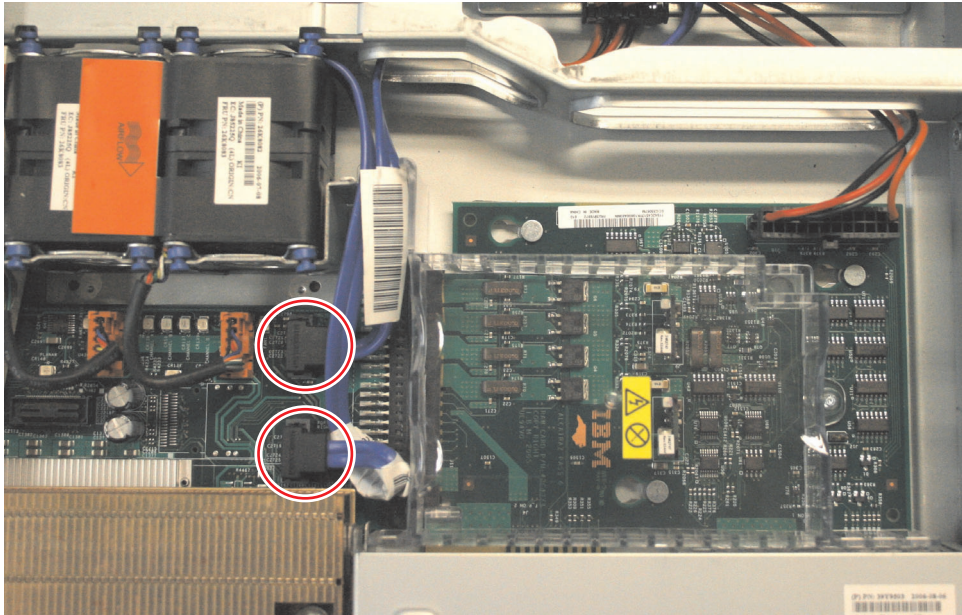
Figure 118. SAN Volume Controller 2145-8A4 power supply connectors

### Removing the SAN Volume Controller 2145-8G4 disk-drive backplane

Use the following information to remove the SAN Volume Controller 2145-8G4 disk-drive backplane.

To remove the SAN Volume Controller 2145-8G4 disk-drive backplane, including the SATA backplane, complete the following steps:

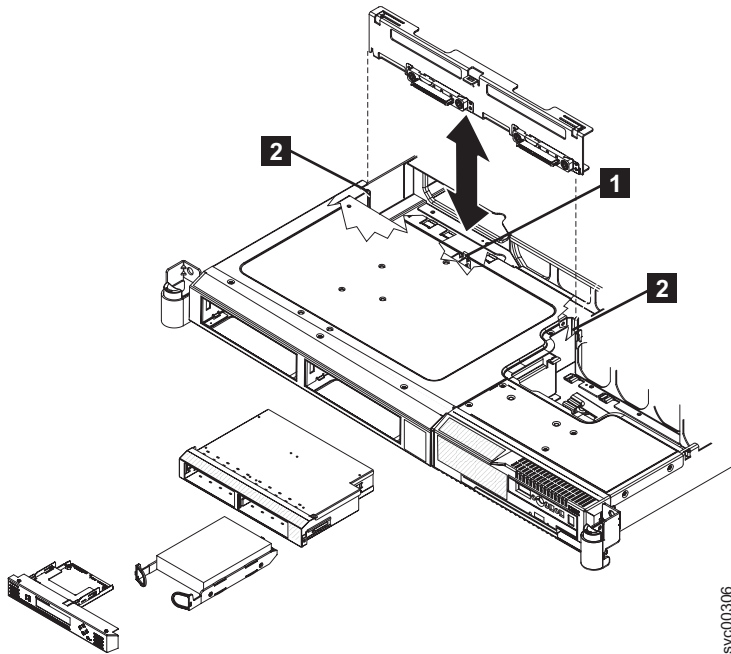
1. Read the safety precautions in “Safety and environmental notices” on page xiii.
2. Turn off the node while ensuring that its data is mirrored and synchronized. See MAP 5350 in the *IBM System Storage SAN Volume Controller Troubleshooting Guide* for more information.
3. Remove the cable-retention bracket and disconnect the power cable from the node. See “Removing the cable-retention bracket” on page 34.
4. Remove the node from the rack and place it on a flat, static-protective surface. See “Removing the SAN Volume Controller from a rack” on page 46.
5. Remove the service controller. See “Removing the service controller” on page 85.
6. Pull the hard disk drive out of the node slightly to disengage it from the backplane.
7. Remove the top cover. See “Removing the top cover” on page 77.
8. Disconnect the two blue signal cables from the system board, shown in Figure 119 on page 133, and disconnect the power cable from the power supply backplane card.



svc00514

Figure 119. The SAN Volume Controller 2145-8G4 disk-drive backplane connectors

9. Press the locking tab **1**, which is shown in Figure 120, and lift the backplane out of the node slightly. Disconnect the power cable and remove the backplane.



svc00306

Figure 120. The SAN Volume Controller 2145-8G4 SATA disk drive and backplane

- 1** Locking tab
- 2** Mounting channel

## Replacing the disk-drive backplane

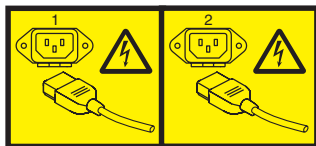
You might have to replace the disk-drive backplane, which includes the simple-swap SAS backplane in the SAN Volume Controller 2145-CF8 or the hot-swap SATA backplane for a SAN Volume Controller 2145-8A4 or SAN Volume Controller 2145-8G4.

## Replacing the SAN Volume Controller 2145-CG8 or 2145-CF8 disk-drive backplane

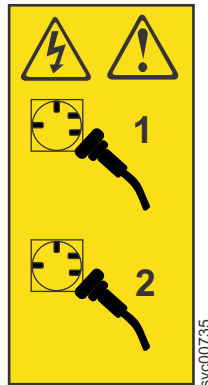
You can replace the SAN Volume Controller 2145-CG8 or 2145-CF8 disk-drive backplane, which includes the SAS backplane.

### DANGER

**Multiple power cords. The product might be equipped with multiple power cords. To remove all hazardous voltages, disconnect all power cords. (L003)**



or



or



To replace the SAN Volume Controller 2145-CG8 or 2145-CF8 disk-drive backplane, complete the following steps:

1. Align the tabs on the disk-drive backplane with the slots on the backplane bracket.
2. Insert the 2145-CF8 disk-drive backplane tabs into slots on the backplane bracket and push the disk-drive backplane down until the backplane is fully seated and the tabs locked in place.

You can reconnect the boot-disk cable to the connector on the left side (when viewed from the rear) of the back of the backplane before installing the backplane into the brackets, or you can connect the cable after you install the backplane, if that is easier for you.

The other end of this cable attaches to the disk-controller and USB riser card assembly, as shown in Figure 123 on page 136.

If you are using solid-state drives (SSDs), you can connect the labelled end of the high-speed SAS cable to the connector in the middle of the back of the disk-drive backplane. The other end of this cable attaches to the high-speed SAS adapter at the rear of the node.

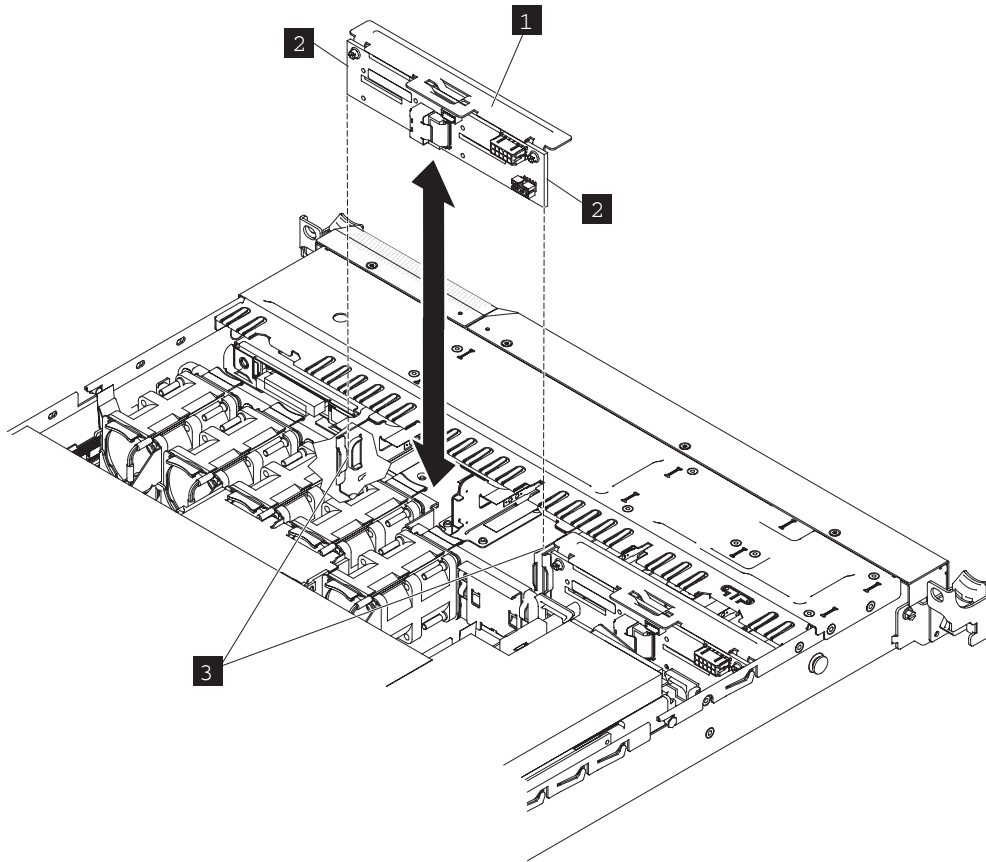


Figure 121. The 2145-CG8 boot-disk backplane

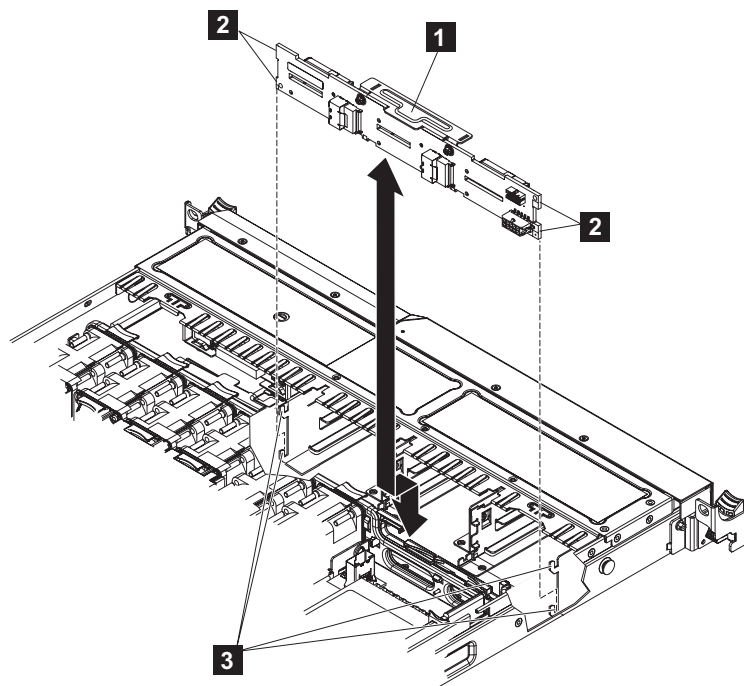
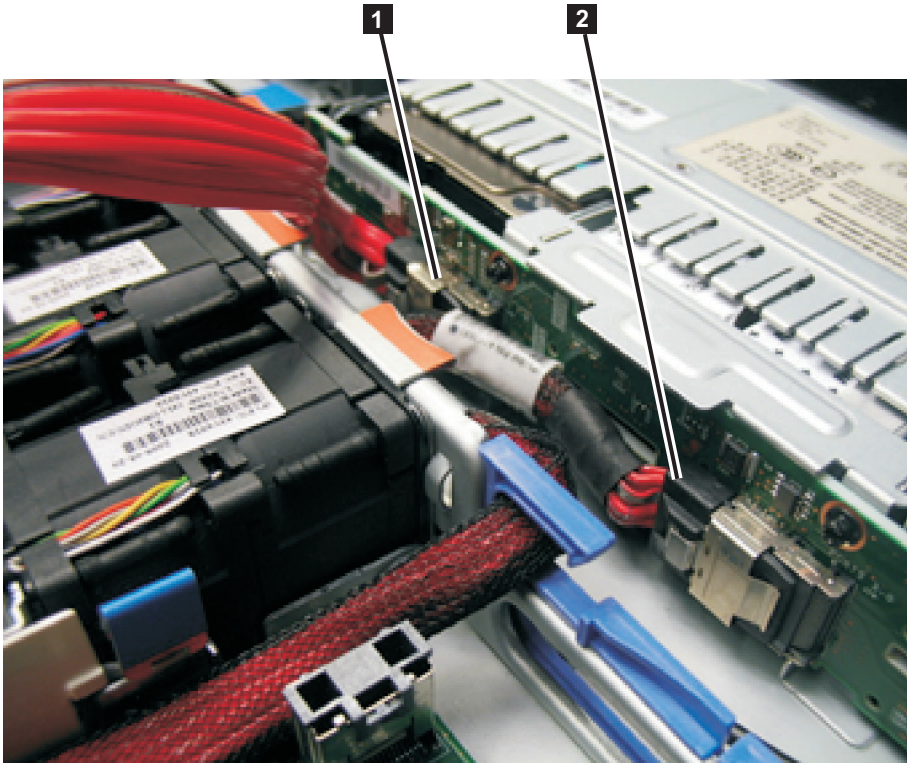


Figure 122. The SAN Volume Controller 2145-CF8 disk backplane

- 1** Disk-drive backplane
- 2** Backplane edges on the 2145-CG8 and tabs on the 2145-CF8
- 3** Backplane-bracket slots

3. Reconnect the cables to the disk-drive backplane.

The boot-drive cable and the high-speed SAS-adapter cable are shown in Figure 123.



| *Figure 123. Boot-disk SAS cable and the high-speed SAS cable connected to the disk backplane in the SAN Volume Controller 2145-CG8 or 2145-CF8*

- 1** Boot-disk signal cable that is plugged into the disk-drive backplane to support drive bay 4
- 2** High-speed SAS-adapter cable that is plugged into the middle of the backplane to support drive bays 0, 1, 2, and 3

(Not pictured) Backplane-control cable that should plug into the lower right connector on the back of the backplane

4. Reconnect the boot-disk SAS cable to the SAS disk controller.

The boot-drive cable and the high-speed SAS-adapter cable are shown in Figure 124 on page 137.

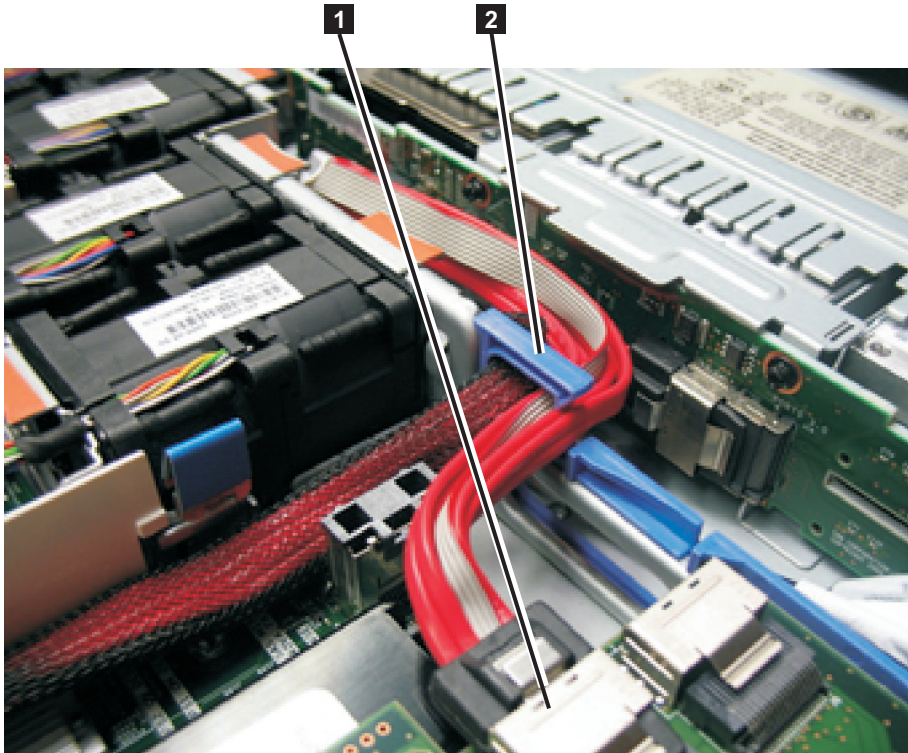


Figure 124. Boot-disk SAS cable routed through the blue bulkhead clip and connected to the SAS disk controller in the SAN Volume Controller 2145-CG8 or 2145-CF8

- 1 Boot-disk SAS cable that is plugged into the disk-controller-and-USB-riser-card assembly
  - 2 Blue bulkhead clip with the high-speed SAS-adapter cable and the boot-disk SAS cable
5. Reinstall the fans, as described in “Replacing the fans” on page 244.
  6. Reinstall the cover, as described in “Replacing the top cover” on page 81.
  7. Reinstall the disk drives and drive-bay blank electromagnetic compatibility (EMC) filler assemblies, as described in “Replacing the disk drive” on page 118.
  8. Replace the service controller, as described in “Replacing the service controller” on page 95.
  9. If you removed the node from the rack, replace the node in the rack, as described in “Replacing the SAN Volume Controller in a rack” on page 55.
  10. If you removed any Fibre Channel or Ethernet cables, use the labels you placed on each cable to replace all Fibre Channel and Ethernet cables in the same ports from which they were removed.
  11. If you removed the power cords, replace the power cords and the cable-retention brackets, as described in “Replacing the cable-retention bracket” on page 39.
  12. Lift the locking levers ( 1 in Figure 125 on page 138) on the slide rails and push the server 2 all the way into the rack until it clicks into place.

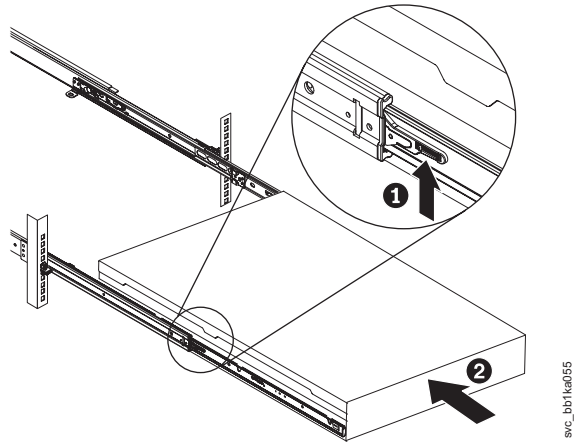


Figure 125. Raising the SAN Volume Controller 2145-CF8 or 2145-CG8 locking levers of the slide rails of the rack

13. Turn on the node.

### Replacing the SAN Volume Controller 2145-8A4 disk-drive backplane

To replace the SAN Volume Controller 2145-8A4 disk-drive backplane, including the SATA backplane, complete the following steps.

1. Make sure that the air deflector **1**, which is shown in Figure 126, is in the open position.

**Note:** The air deflector also functions as the backplane latch. In this procedure, you must lift the air deflector to access some of the cables.

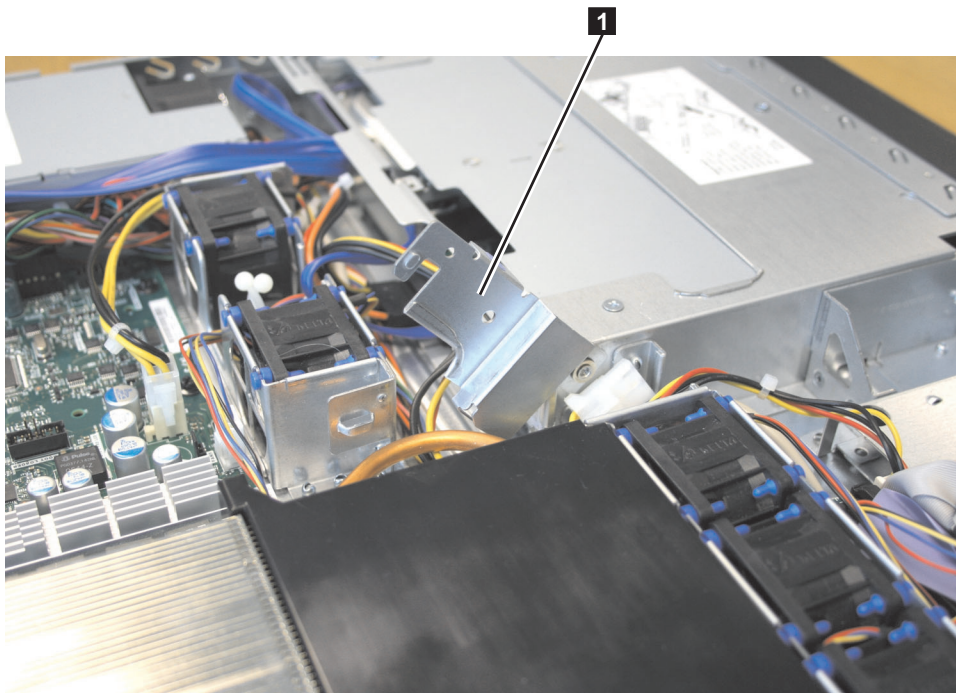


Figure 126. Air deflector for the SAN Volume Controller 2145-8A4 power supply

2. Connect power cable connectors P2 **1** and P3 **2** to the replacement backplane, as shown in Figure 127 on page 139.



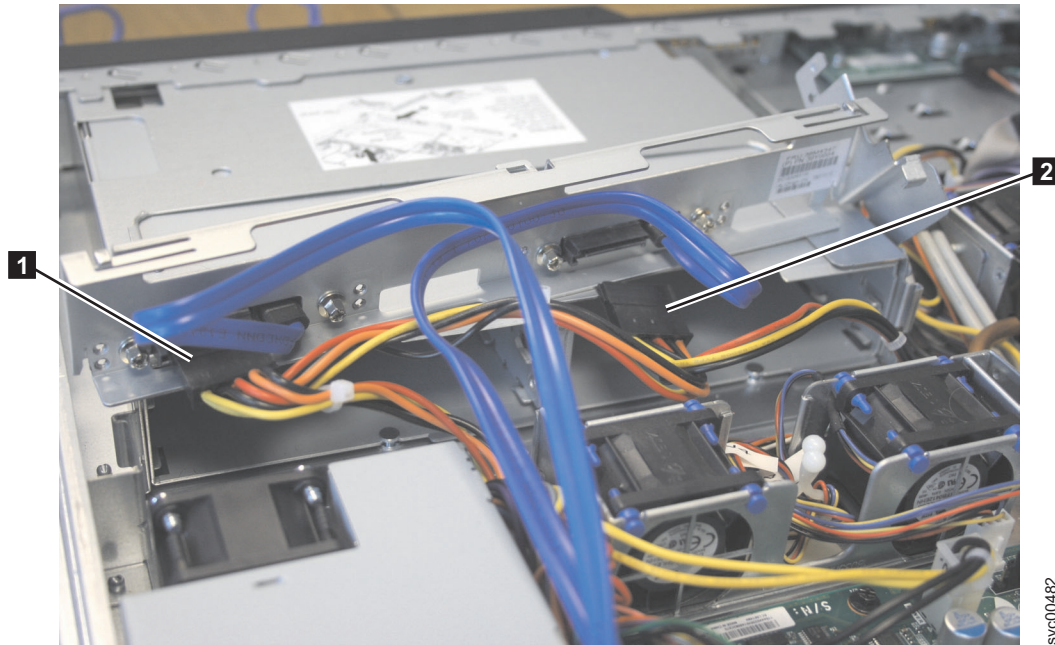


Figure 127. SAN Volume Controller 2145-8A4 power supply connectors

3. Slide the backplane into the card guides, making sure not to trap or pinch any nearby wires or cables.
4. Press firmly until the backplane is fully seated.
5. Rotate the air deflector ( **1** in Figure 126 on page 138) into place, making sure not to pinch any cables beneath it, and press it down firmly.
6. Reconnect the SATA cables to the system board. When you look from the front, SATA 0 is the drive number for the left bay and SATA 2 is the drive number for the right bay.

**Note:** Make sure that the cable drive number matches the connector number on the system board. The cables will cross over each other, as shown in Figure 128 on page 140.

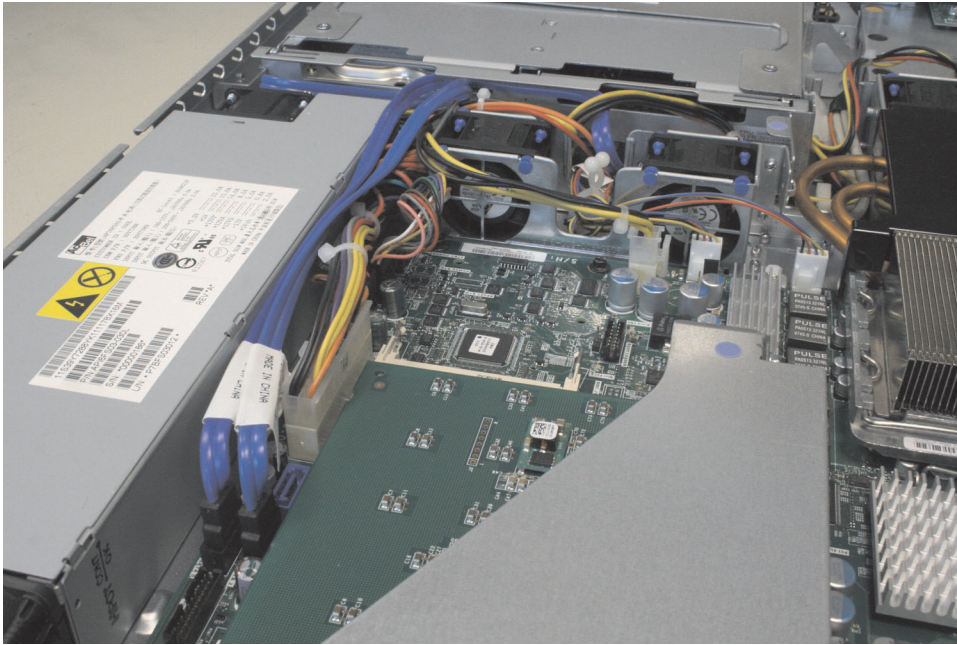


Figure 128. SAN Volume Controller 2145-8A4 SATA cables

7. Install the hard disk drive. See “Replacing the disk drive” on page 118.
8. Install the service controller. See “Replacing the service controller” on page 95.
9. Replace the top cover. See “Replacing the top cover” on page 81.
10. Place the node in the rack. See “Replacing the SAN Volume Controller in a rack” on page 55.
11. Reconnect the Fibre Channel and Ethernet cables. Ensure that you replace the Fibre Channel and Ethernet cables in the same ports from which they were removed.
12. Turn on the node.

### Replacing the SAN Volume Controller 2145-8G4 disk-drive backplane

To replace the SAN Volume Controller 2145-8G4 disk-drive backplane, including the SATA backplane, complete the following steps.

1. Connect the power cable to the replacement back plate.
2. Slide the backplane into the mounting channels **2**, which are shown in Figure 129 on page 141, making sure not to trap or pinch any nearby wires or cables.

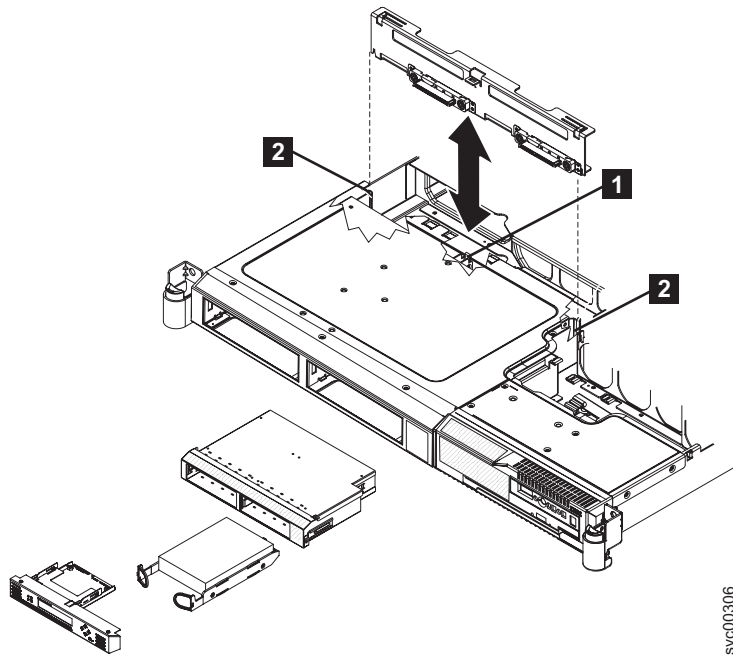


Figure 129. The SAN Volume Controller 2145-8G4 SATA disk drive and backplane

3. Press firmly until the backplane is fully seated and the locking tab **1** snaps into place.
4. Reconnect the power cable to the power supply backplane card. Then reconnect the two blue signal cables to the system board. The left cable goes to the front system board connector and the right cable goes to the rear system board connector, as shown in Figure 130.

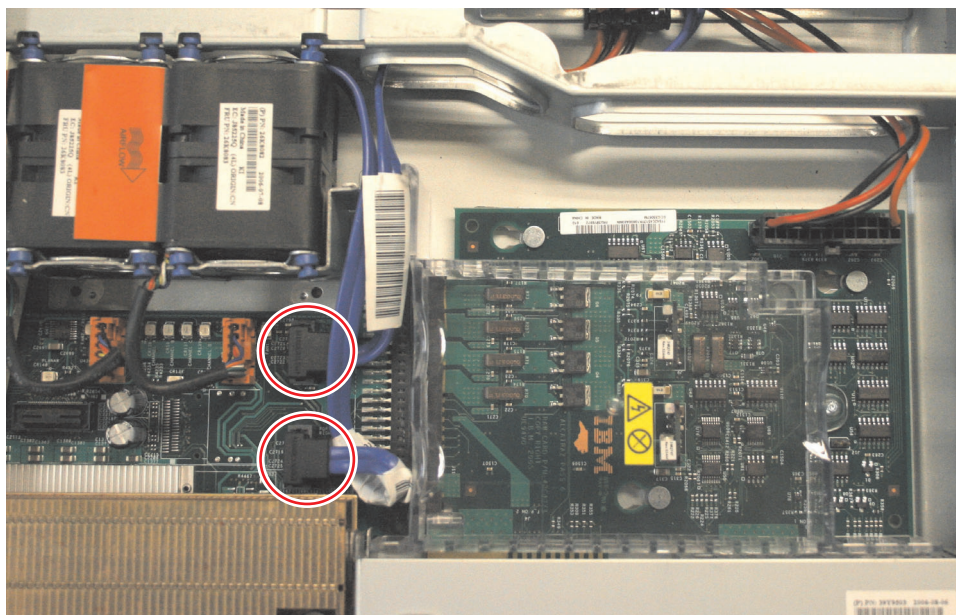


Figure 130. The SAN Volume Controller 2145-8G4 disk-drive backplane connectors

5. Install the hard disk drive. See “Replacing the disk drive” on page 118.
6. Install the service controller. See “Replacing the service controller” on page 95.
7. Replace the top cover. See “Replacing the top cover” on page 81.
8. Place the node in the rack. See “Replacing the SAN Volume Controller in a rack” on page 55.

9. Reconnect the Fibre Channel and Ethernet cables. Ensure that you replace the Fibre Channel and Ethernet cables in the same ports from which they were removed.
10. Turn on the node.

## Removing the CMOS battery

You must remove the system board complementary metal-oxide semiconductor (CMOS), or system-board, battery to replace it or to perform routine maintenance.

This product was designed with your safety in mind. The lithium battery must be handled correctly to avoid possible danger. If you replace the battery, you must adhere to all safety instructions.

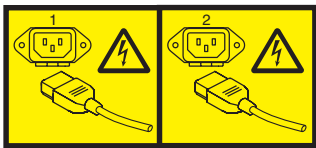
- | Use the reference numbers in parentheses at the end of each notice, such as (C003) for example, to find the matching translated notice in *IBM System Storage SAN Volume Controller Safety Notices*.

## Removing the SAN Volume Controller 2145-CG8 or 2145-CF8 CMOS battery

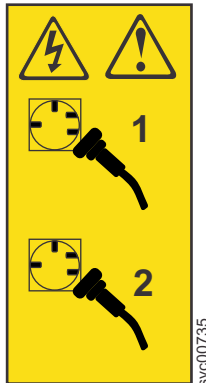
This topic describes how to remove the SAN Volume Controller 2145-CG8 or 2145-CF8 CMOS battery.

### DANGER

Multiple power cords. The product might be equipped with multiple power cords. To remove all hazardous voltages, disconnect all power cords. (L003)



or



or



### CAUTION:

The battery contains lithium. To avoid possible explosion, do not burn or charge the battery.

### Do not:

- Throw or immerse into water
- Heat to more than 100°C (212°F)
- Repair or disassemble

Exchange only with the IBM-approved part. Recycle or discard the battery as instructed by local regulations. In the United States, IBM has a process for the collection of this battery. For information, call 1-800-426-4333. Have the IBM part number for the battery unit available when you call. (C003)

This service action requires you to remove the cover and:

- Turn the node off.
- Disconnect the power cables.
- Optionally disconnect the Fibre Channel and Ethernet data cables.

To remove the CMOS battery, perform the following steps:

1. Read the safety information to which “Preparing to remove and replace parts” on page 26 refers.
2. Follow the procedure in MAP 5350 in the *IBM System Storage SAN Volume Controller Troubleshooting Guide* to verify that the node data is mirrored and synchronized, and that there are no dependent volumes before turning off the node.
3. Slide the node out on its slide rails to the fully extended position.  
You can perform most service actions when the node is fully extended from the rack on its slide rails. You can leave the Fibre Channel and Ethernet cables connected, if you are using the cable-management arm and if you are not removing the node from the rack. If the location of the node in the rack is too high or too low to work comfortably, you can remove the node from the rack.
4. When the node is completely turned off, remove the cable-retention brackets and disconnect the power cables, as described in “Removing the cable-retention bracket” on page 34.
5. Optional: If you must remove the node from the rack to work on it, perform the following procedure to remove all cables and remove the node from the rack:
  - a. To make sure that you can replace all cables in the same ports from which they were removed, label the port position of each Fibre Channel and Ethernet cable; then remove all cables from the back of the node.
  - b. Remove the node from the rack and place it on a flat, static-protective surface. See “Removing the SAN Volume Controller from a rack” on page 46.
6. Remove the top cover. See “Removing the top cover” on page 77.
7. Locate the battery **1** on the system board. Figure 131 shows the location of the battery.

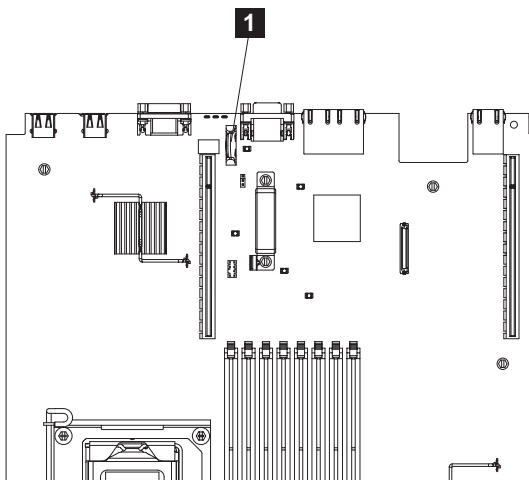


Figure 131. Location of the SAN Volume Controller 2145-CG8 or 2145-CF8 CMOS battery holder

8. Remove the CMOS battery, as shown in Figure 132:

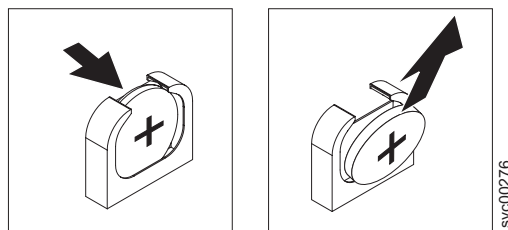


Figure 132. SAN Volume Controller 2145-CG8 or 2145-CF8 CMOS battery holder

- a. Use a fingernail to press the top of the battery clip away from the battery. The battery pops up when released.

- b. Use your thumb and index finger to lift the battery from the socket.
9. Recycle or discard the battery as instructed by local regulations.  
See the warning at the beginning of this topic for further instructions regarding handling the battery.

## Removing the SAN Volume Controller 2145-8A4 CMOS battery

This topic describes how to remove the SAN Volume Controller 2145-8A4 CMOS battery.

### CAUTION:

**The battery contains lithium. To avoid possible explosion, do not burn or charge the battery.**

### Do not:

- Throw or immerse into water
- Heat to more than 100°C (212°F)
- Repair or disassemble

**Exchange only with the IBM-approved part. Recycle or discard the battery as instructed by local regulations. In the United States, IBM has a process for the collection of this battery. For information, call 1-800-426-4333. Have the IBM part number for the battery unit available when you call. (C003)**

To remove the CMOS battery, perform the following steps:

1. Read the safety precautions in “Safety and environmental notices” on page xiii.
2. Turn off the node while ensuring that its data is mirrored and synchronized. See MAP 5350 in the *IBM System Storage SAN Volume Controller Troubleshooting Guide* for more information.
3. Remove the node from the rack and place it on a flat, static-protective surface. See “Removing the SAN Volume Controller from a rack” on page 46.
4. Remove the top cover. See “Removing the top cover” on page 77.
5. Lift the riser-card assembly out of the way. You do not need to separate the riser-card assembly and the Fibre Channel adapter. See “Removing the PCI express riser card assembly” on page 214.
6. Locate the battery on the system board.  
**1** in Figure 133 on page 145 shows the location of the battery.

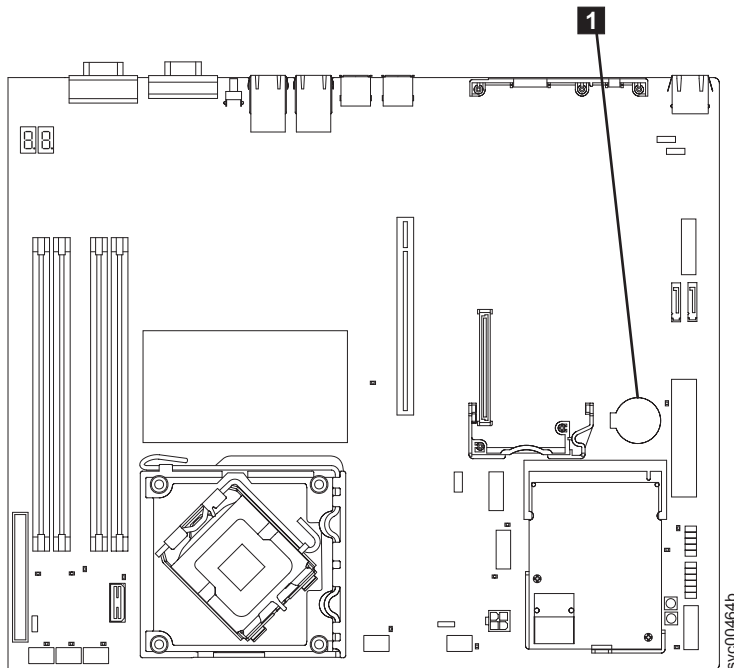


Figure 133. Locating the SAN Volume Controller 2145-8A4 CMOS battery

7. Remove the CMOS battery, as shown in Figure 134:

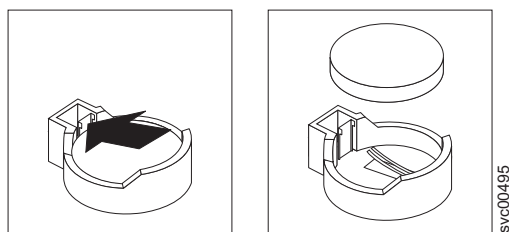


Figure 134. Removing the SAN Volume Controller 2145-8A4 CMOS battery

- a. Use a fingernail to press the top of the battery clip away from the battery. The battery pops up when released.
- b. Use your thumb and index finger to lift the battery from the socket.

### Removing the SAN Volume Controller 2145-8G4 CMOS battery

This topic describes how to remove the SAN Volume Controller 2145-8G4 CMOS battery.

#### CAUTION:

The battery contains lithium. To avoid possible explosion, do not burn or charge the battery.

#### Do not:

- Throw or immerse into water
- Heat to more than 100°C (212°F)
- Repair or disassemble

Exchange only with the IBM-approved part. Recycle or discard the battery as instructed by local regulations. In the United States, IBM has a process for the collection of this battery. For information, call 1-800-426-4333. Have the IBM part number for the battery unit available when you call. (C003)

To remove the CMOS battery, perform the following steps:

1. Turn off the node while ensuring that its data is mirrored and synchronized. See MAP 5350 in the *IBM System Storage SAN Volume Controller Troubleshooting Guide* for more information.
2. Remove the cable-retention bracket and disconnect the power cable from the node. See “Removing the cable-retention bracket” on page 34.
3. Remove the top cover. See “Removing the top cover” on page 77.
4. Locate the battery **1** on the system board. Figure 135 shows the location of the battery.

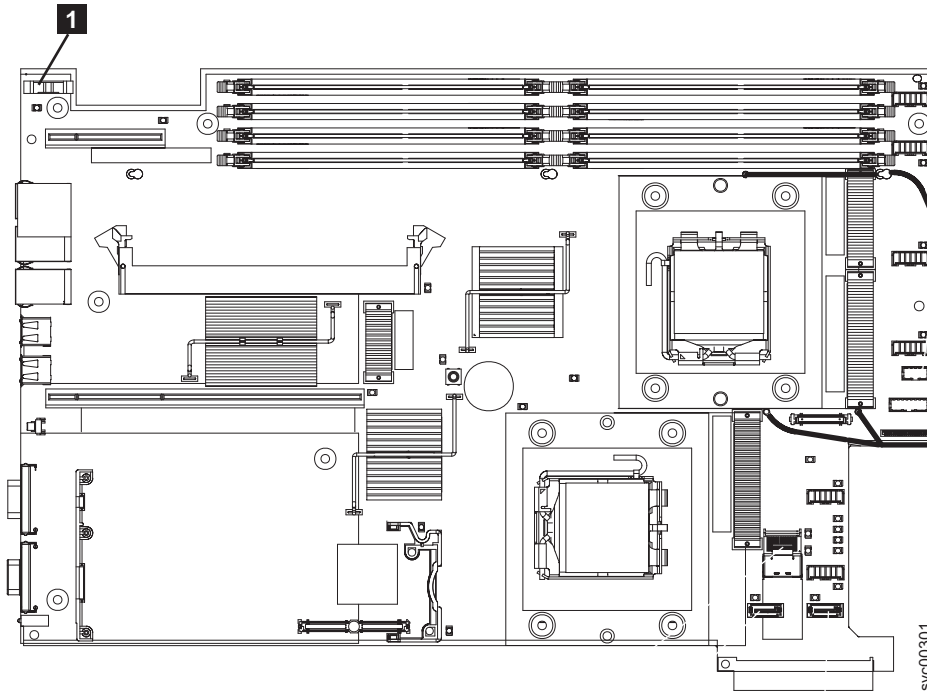


Figure 135. Location of the SAN Volume Controller 2145-8G4 CMOS battery holder

5. Remove the CMOS battery, as shown in Figure 136:

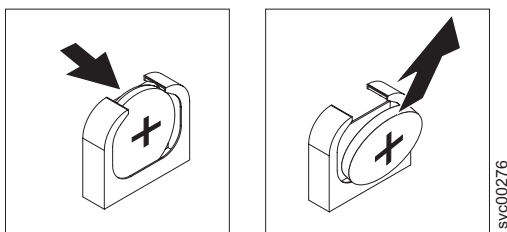


Figure 136. SAN Volume Controller 2145-8G4 CMOS battery holder

- a. Use a fingernail to press the top of the battery clip away from the battery. The battery pops up when released.
- b. Use your thumb and index finger to lift the battery from the socket.

## Removing the SAN Volume Controller 2145-8F4 or SAN Volume Controller 2145-8F2 CMOS battery

This topic describes how to remove the SAN Volume Controller 2145-8F4 and SAN Volume Controller 2145-8F2 CMOS battery.



**CAUTION:**

The battery contains lithium. To avoid possible explosion, do not burn or charge the battery.

**Do not:**

- Throw or immerse into water
- Heat to more than 100°C (212°F)
- Repair or disassemble

Exchange only with the IBM-approved part. Recycle or discard the battery as instructed by local regulations. In the United States, IBM has a process for the collection of this battery. For information, call 1-800-426-4333. Have the IBM part number for the battery unit available when you call. (C003)

To remove the CMOS battery, perform the following steps:

1. Follow any special handling and installation instructions supplied with the battery.
2. Turn off the node while ensuring that its data is mirrored and synchronized. See MAP 5350 in the *IBM System Storage SAN Volume Controller Troubleshooting Guide* for more information.
3. Remove the node from the rack and place it on a flat, static-protective surface. See “Removing the SAN Volume Controller from a rack” on page 46.
4. Remove the top cover. See “Removing the top cover” on page 77.
5. Locate the battery **1** on the system board. Figure 137 shows the location of the battery.

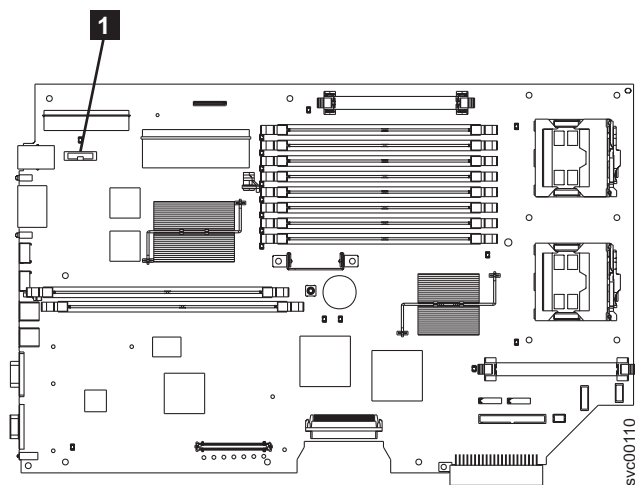


Figure 137. Location of the CMOS battery on the SAN Volume Controller 2145-8F2 or the SAN Volume Controller 2145-8F4

6. Remove the battery:
  - a. Use one finger to pull the retainer tab, which is shown in Figure 138 on page 148, that secures the battery to its housing.

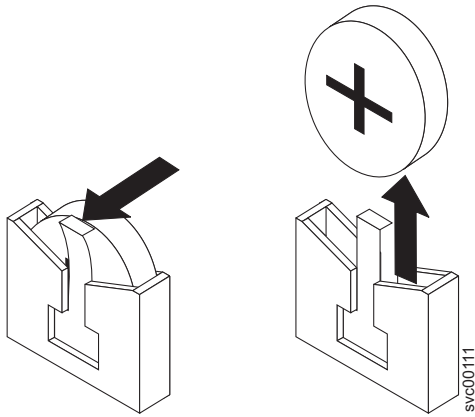


Figure 138. SAN Volume Controller 2145-8F2 or the SAN Volume Controller 2145-8F4 CMOS battery holder

- b. Use one finger to slide the battery up and out from its socket.

## Replacing the CMOS battery

You must replace the system board complementary metal-oxide semiconductor (CMOS) battery after you perform routine maintenance.

The lithium battery must be handled correctly to avoid possible danger. If you replace the battery, you must adhere to all safety instructions.

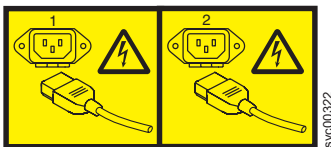
- | Use the reference numbers in parentheses at the end of each notice, such as (C003) for example, to find the matching translated notice in *IBM System Storage SAN Volume Controller Safety Notices*.

## Replacing the SAN Volume Controller 2145-CG8 or 2145-CF8 system-board CMOS battery

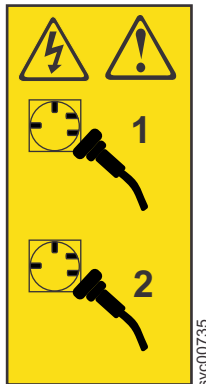
This topic describes how to replace the system-board SAN Volume Controller 2145-CG8 or 2145-CF8 CMOS battery.

### DANGER

Multiple power cords. The product might be equipped with multiple power cords. To remove all hazardous voltages, disconnect all power cords. (L003)



or



or



**CAUTION:**

The battery contains lithium. To avoid possible explosion, do not burn or charge the battery.

**Do not:**

- Throw or immerse into water
- Heat to more than 100°C (212°F)
- Repair or disassemble

Exchange only with the IBM-approved part. Recycle or discard the battery as instructed by local regulations. In the United States, IBM has a process for the collection of this battery. For information, call 1-800-426-4333. Have the IBM part number for the battery unit available when you call. (C003)

This service action assumes that:

- The node is turned off.
- The power cables are disconnected.
- The battery is removed from the node.
- The top cover is off.

Perform the following steps to replace the SAN Volume Controller 2145-CG8 or 2145-CF8 system-board CMOS battery:

1. Follow any special handling and installation instructions that come with the replacement battery.
2. Locate the battery on the system board. Figure 139 shows the location ( **1** ) of the battery on the system board.

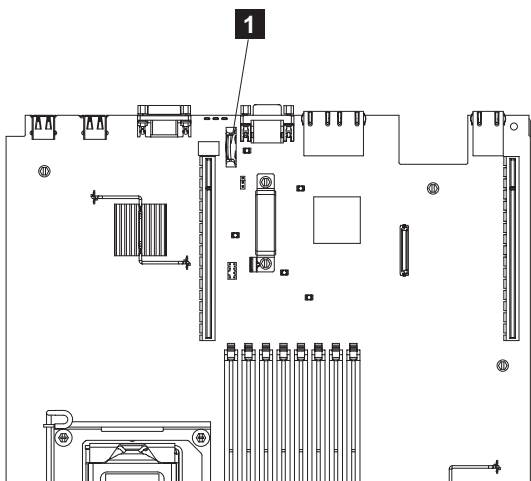


Figure 139. Location of the SAN Volume Controller 2145-CG8 or 2145-CF8 CMOS battery holder

3. Insert the new battery:
  - a. Tilt the battery so that you can insert it into the socket on the side opposite the battery clip.
  - b. Press the battery across into the socket until it clicks into place. Make sure that the battery clip holds the battery securely, as shown in Figure 140 on page 150.

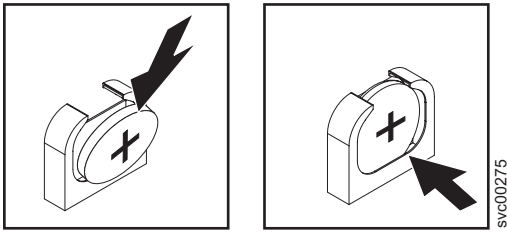


Figure 140. SAN Volume Controller 2145-CG8 or 2145-CF8 CMOS battery holder

4. Make sure that all cables, adapters, and other components are installed and seated correctly and that you have not left loose tools or parts inside the node. Make sure that all internal cables are correctly routed. If you disconnected the Fibre Channel and Ethernet cables, make sure that each cable is reconnected to the same port from which it was removed.
5. Replace the top cover. See “Replacing the top cover” on page 81.
6. If you removed the node from the rack, replace the node in the rack, as described in “Replacing the SAN Volume Controller in a rack” on page 55.
7. If you removed any Fibre Channel or Ethernet cables, use the labels you placed on each cable to replace all Fibre Channel and Ethernet cables in the same ports from which they were removed.
8. If you removed the power cords, replace the power cords and the cable-retention brackets, as described in “Replacing the cable-retention bracket” on page 39.
9. Lift the locking levers ( **1** in Figure 141) on the slide rails and push the server **2** all the way into the rack until it clicks into place.

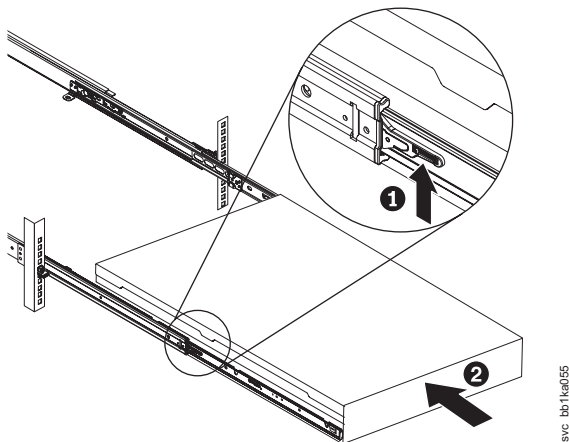


Figure 141. Raising the SAN Volume Controller 2145-CF8 or 2145-CG8 locking levers of the slide rails of the rack

10. Turn on the node.
11. If there is a problem restarting the node, see MAP 5900 in the *IBM System Storage SAN Volume Controller Troubleshooting Guide*; then connect a monitor and keyboard to the system and reset the BIOS date and time.

### Replacing the SAN Volume Controller 2145-8A4 system-board CMOS battery

This topic describes how to replace the system-board SAN Volume Controller 2145-8A4 CMOS battery.

Consider the following notice when you replace the battery in the node:

**CAUTION:**

The battery contains lithium. To avoid possible explosion, do not burn or charge the battery.

**Do not:**

- Throw or immerse into water
- Heat to more than 100°C (212°F)
- Repair or disassemble

Exchange only with the IBM-approved part. Recycle or discard the battery as instructed by local regulations. In the United States, IBM has a process for the collection of this battery. For information, call 1-800-426-4333. Have the IBM part number for the battery unit available when you call. (C003)

To replace the SAN Volume Controller 2145-8A4 system-board CMOS battery, perform the following steps:

1. Follow any special handling and installation instructions that come with the replacement battery.
2. Locate the battery on the system board.

**1** in Figure 142 shows the location of the battery.

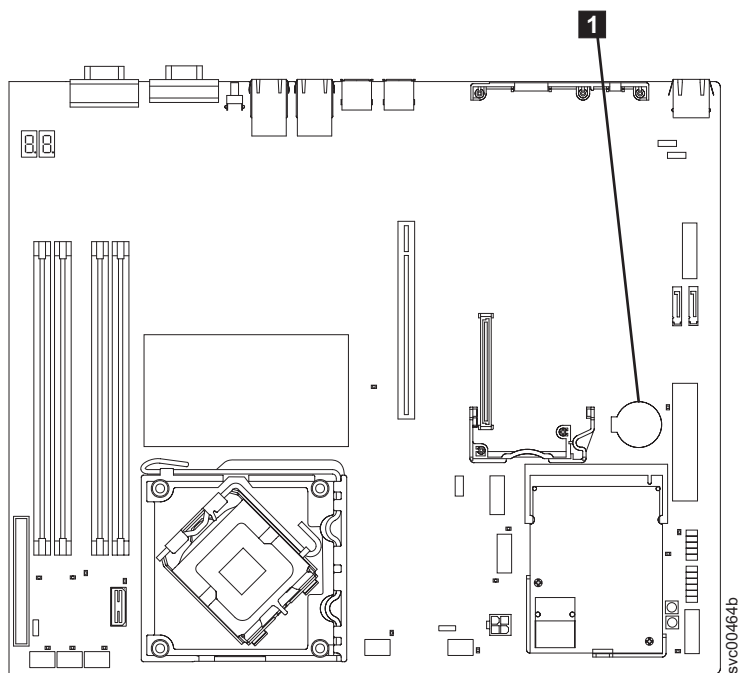


Figure 142. Locating the SAN Volume Controller 2145-8A4 CMOS battery

3. Insert the new battery:
  - a. Orient the battery so that the positive side faces up.
  - b. Tilt the battery so that you can insert it into the socket on the side opposite the battery clip.
  - c. Press the battery down into the socket, as shown in Figure 143 on page 152, until it clicks into place. Make sure that the battery clip holds the battery securely.

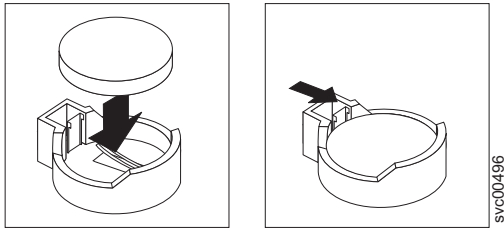


Figure 143. Installing the SAN Volume Controller 2145-8A4 CMOS battery

4. Replace the riser-card assembly and ensure that it is fully seated in the connectors on the system board. See “Replacing the PCI express riser-card assembly” on page 215.
5. Replace the top cover. See “Replacing the top cover” on page 81.
6. Place the node in the rack. See “Replacing the SAN Volume Controller in a rack” on page 55.
7. Reconnect the external cables, and then reconnect the power cords and the node.

**Note:** You must wait approximately 20 seconds after you connect power to the node before the power-control button becomes active.

8. Turn on the node.
9. If there is a problem restarting the node, see “MAP 5900” and then connect a monitor and keyboard to the system and reset the system date and time.

### Replacing the SAN Volume Controller 2145-8G4 system-board CMOS battery

This topic describes how to replace the system-board SAN Volume Controller 2145-8G4 CMOS battery.

If you are exchanging the battery for a new one, use only IBM Part Number 33F8354 or a similar type of battery that the manufacturer recommends.

#### CAUTION:

The battery contains lithium. To avoid possible explosion, do not burn or charge the battery.

#### Do not:

- Throw or immerse into water
- Heat to more than 100°C (212°F)
- Repair or disassemble

Exchange only with the IBM-approved part. Recycle or discard the battery as instructed by local regulations. In the United States, IBM has a process for the collection of this battery. For information, call 1-800-426-4333. Have the IBM part number for the battery unit available when you call. (C003)

- | Use the reference numbers in parentheses at the end of each notice, such as (C003) for example, to find  
 | the matching translated notice in *IBM System Storage SAN Volume Controller Safety Notices*.

Perform the following steps to replace the SAN Volume Controller 2145-8G4 system-board CMOS battery:

1. Follow any special handling and installation instructions that come with the replacement battery.
2. Locate the battery on the system board. Figure 144 on page 153 shows the location (1) of the battery.

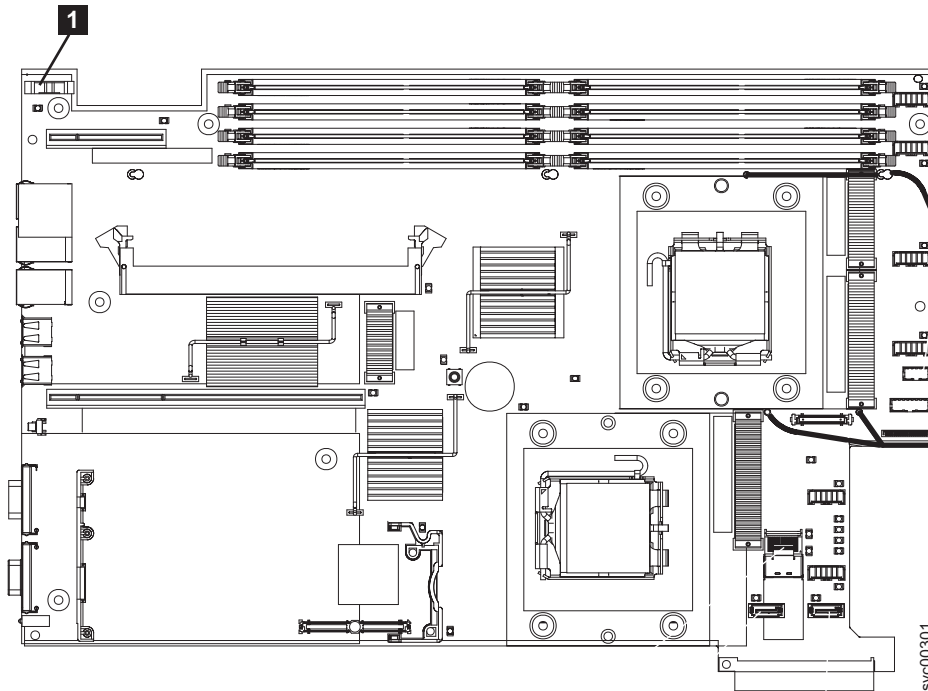


Figure 144. Location of the SAN Volume Controller 2145-8G4 CMOS battery holder

3. Insert the new battery:
  - a. Tilt the battery so that you can insert it into the socket on the side opposite the battery clip.
  - b. Press the battery down into the socket until it clicks into place. Make sure that the battery clip holds the battery securely, as shown in Figure 145.

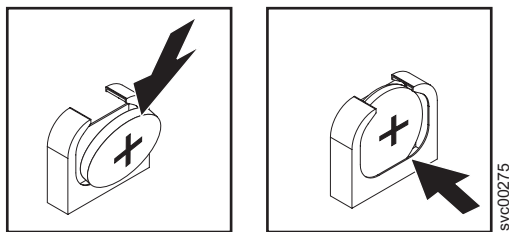


Figure 145. SAN Volume Controller 2145-8G4 CMOS battery holder

4. Replace the top cover. See “Replacing the top cover” on page 81.
5. Place the node in the rack. See “Replacing the SAN Volume Controller in a rack” on page 55.
6. Reconnect the external cables, and then reconnect the power cords and the node.
7. If there is a problem restarting the node, see MAP 5900 and then connect a monitor and keyboard to the system and reset the BIOS date and time.

### Replacing the SAN Volume Controller 2145-8F4 or SAN Volume Controller 2145-8F2 CMOS battery

This product was designed with your safety in mind. The lithium battery must be handled correctly to avoid possible danger. If you replace the battery, you must adhere to all safety instructions.

**CAUTION:**

The battery contains lithium. To avoid possible explosion, do not burn or charge the battery.

**Do not:**

- Throw or immerse into water
- Heat to more than 100°C (212°F)
- Repair or disassemble

Exchange only with the IBM-approved part. Recycle or discard the battery as instructed by local regulations. In the United States, IBM has a process for the collection of this battery. For information, call 1-800-426-4333. Have the IBM part number for the battery unit available when you call. (C003)

Use the reference numbers in parentheses at the end of each notice, such as (C003) for example, to find the matching translated notice in *IBM System Storage SAN Volume Controller Safety Notices*.

Perform the following steps to replace the SAN Volume Controller 2145-8F2 or SAN Volume Controller 2145-8F4 CMOS battery:

1. Insert the new battery in the battery socket. Figure 146 shows the location (1) of the battery socket.

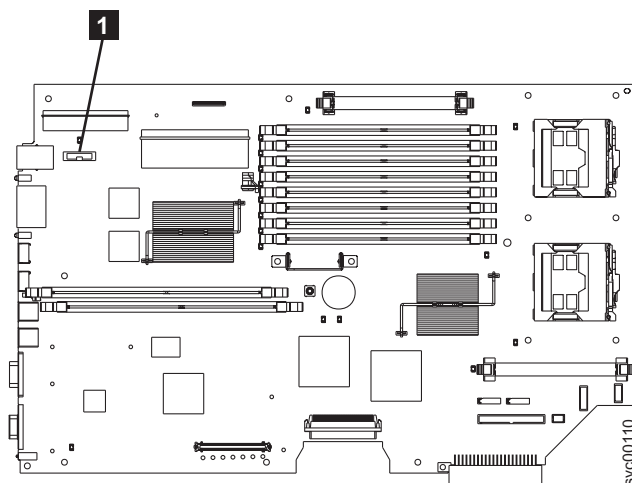


Figure 146. Location of the CMOS battery on the SAN Volume Controller 2145-8F2 or the SAN Volume Controller 2145-8F4

- a. Hold the battery so that the positive (+) side of the battery is facing toward the center of the server.
- b. Pull the retainer tab out of the way so that you can slide the battery into its socket.
- c. Slide the battery down until it snaps into place, as shown in Figure 147 on page 155.



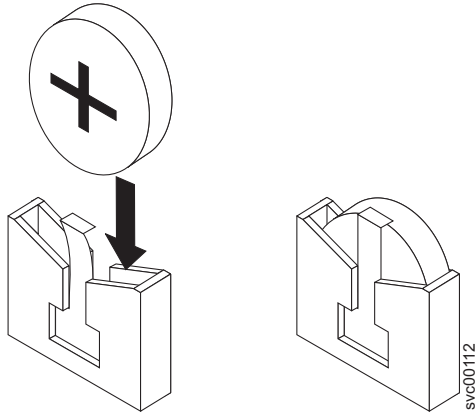


Figure 147. CMOS battery socket

2. Replace the top cover. See “Replacing the top cover” on page 81.
3. Place the node in the rack. See “Replacing the SAN Volume Controller in a rack” on page 55.
4. If there is a problem restarting the node, see MAP 5900 in the *IBM System Storage SAN Volume Controller Troubleshooting Guide*; then connect a monitor and keyboard to the system and reset the BIOS date and time.

## Removing the power supply

You must remove the SAN Volume Controller power supply if you intend to replace it.

1. Use the reference numbers in parentheses at the end of each notice, such as (C003) for example, to find the matching translated notice in *IBM System Storage SAN Volume Controller Safety Notices*.

## DANGER

When working on or around the system, observe the following precautions:

Electrical voltage and current from power, telephone, and communication cables are hazardous. To avoid a shock hazard:

- Connect power to this unit only with the IBM provided power cord. Do not use the IBM provided power cord for any other product.
- Do not open or service any power supply assembly.
- Do not connect or disconnect any cables or perform installation, maintenance, or reconfiguration of this product during an electrical storm.
- The product might be equipped with multiple power cords. To remove all hazardous voltages, disconnect all power cords.
- Connect all power cords to a properly wired and grounded electrical outlet. Ensure that the outlet supplies proper voltage and phase rotation according to the system rating plate.
- Connect any equipment that will be attached to this product to properly wired outlets.
- When possible, use one hand only to connect or disconnect signal cables.
- Never turn on any equipment when there is evidence of fire, water, or structural damage.
- Disconnect the attached power cords, telecommunications systems, networks, and modems before you open the device covers, unless instructed otherwise in the installation and configuration procedures.
- Connect and disconnect cables as described in the following procedures when installing, moving, or opening covers on this product or attached devices.

To disconnect:

1. Turn off everything (unless instructed otherwise).
2. Remove the power cords from the outlets.
3. Remove the signal cables from the connectors.
4. Remove all cables from the devices.

To connect:

1. Turn off everything (unless instructed otherwise).
  2. Attach all cables to the devices.
  3. Attach the signal cables to the connectors.
  4. Attach the power cords to the outlets.
  5. Turn on the devices.
- Sharp edges, corners and joints may be present in and around the system. Use care when handling equipment to avoid cuts, scrapes and pinching.

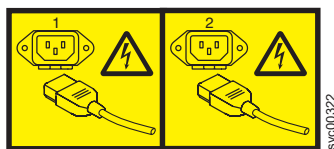
(D005)

## Removing a SAN Volume Controller 2145-CG8 or 2145-CF8 power supply

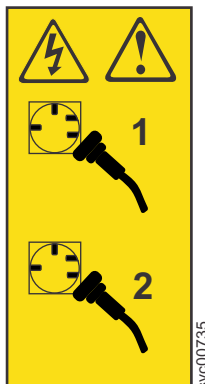
You can remove and replace either of the two 675-watt hot-swap redundant power supplies in the SAN Volume Controller 2145-CG8 or 2145-CF8. These redundant power supplies operate in parallel, one continuing to power the node if the other fails.

## DANGER

Multiple power cords. The product might be equipped with multiple power cords. To remove all hazardous voltages, disconnect all power cords. (L003)



or



or



Ensure that you are aware of the procedures for handling static-sensitive devices before you remove the power supply.

This service action requires you to:

- Optionally, turn the node off.
- Disconnect the power cable on each power supply that you are removing.

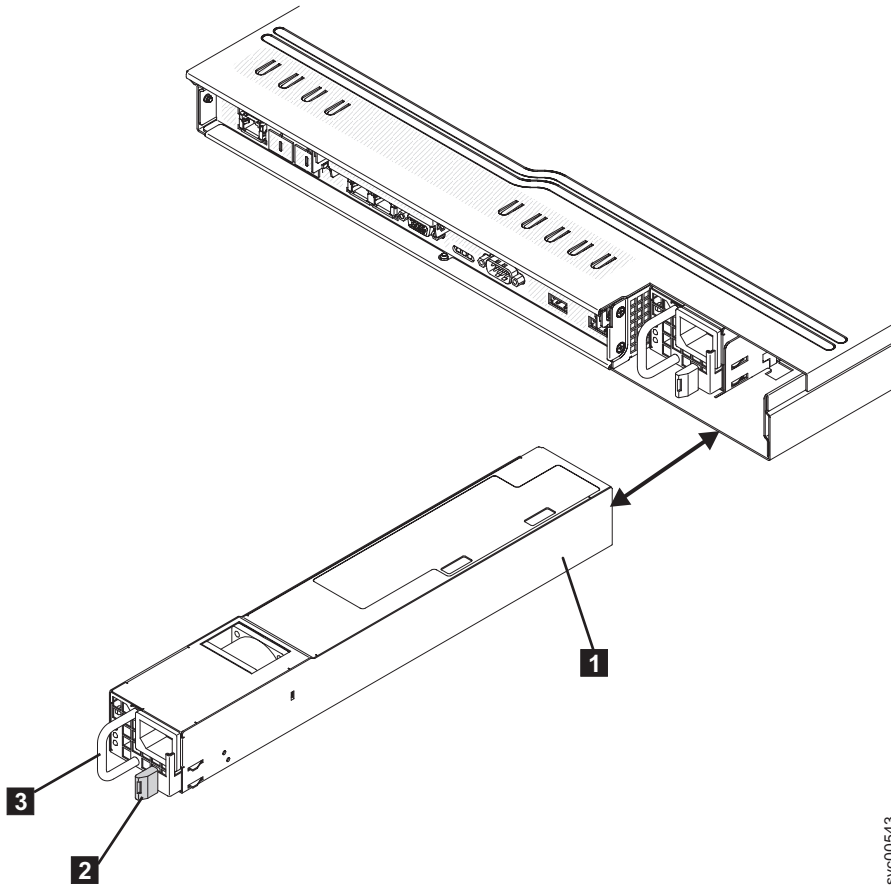
**Important:** You can hot swap the power supply. However, using MAP 5350 to power off the node through proven methods avoids risking an abrupt power failure on the node, which avoids the possible corruption of data.

To remove the SAN Volume Controller 2145-CG8 or 2145-CF8 power supply, perform the following steps:

1. Read the safety information to which “Preparing to remove and replace parts” on page 26 refers.
2. Optional: Follow the procedure in MAP 5350 in the *IBM System Storage SAN Volume Controller Troubleshooting Guide* to verify that the node data is mirrored and synchronized, and that there are no dependent volumes before turning off the node.

**Important:** If you decide to hot swap the power supply, use MAP 5350 to make all of the necessary checks that ensure that the partner node in the I/O group can take over all I/O group operations, if necessary, and that there are no dependent VDisks on the node. With the partner node available and no dependent VDisks on the node, you do not lose access to data if this node accidentally powers off.

3. Pull back the cable-management arm if you are working from the rear of the rack, or slide the node out of the rack to the fully extended rail position if you are working from the front.
4. Optional: Wait for the node to turn off completely if you are not hot-swapping the drive.
5. Remove the cable-retention bracket and the power cord from the power supply that you are replacing, as described in “Removing the SAN Volume Controller 2145-CG8 or 2145-CF8 cable-retention brackets” on page 34.
6. To remove the power supply, press and hold the release tab **2** to the left. Grasp the handle **3** on the rear of the power supply, as shown in Figure 148 on page 158, and pull the power supply out of the node.



svc00543

Figure 148. SAN Volume Controller 2145-CG8 or 2145-CF8 power supply

- 1 Power supply
- 2 Power-supply release tab
- 3 Power-supply handle

7. If you are instructed to return the power supply, follow all packaging instructions, and use any packaging materials for shipping that are supplied to you.

### Removing a SAN Volume Controller 2145-8A4 power supply

This topic describes how to remove a SAN Volume Controller 2145-8G4 power supply.

Take precautions to avoid damage from static electricity. Wear an anti-static wrist strap and use a static-protected mat or surface. For more information, see “Handling static-sensitive devices” on page xx.

To remove the power supply, perform the following steps:

#### Notes:

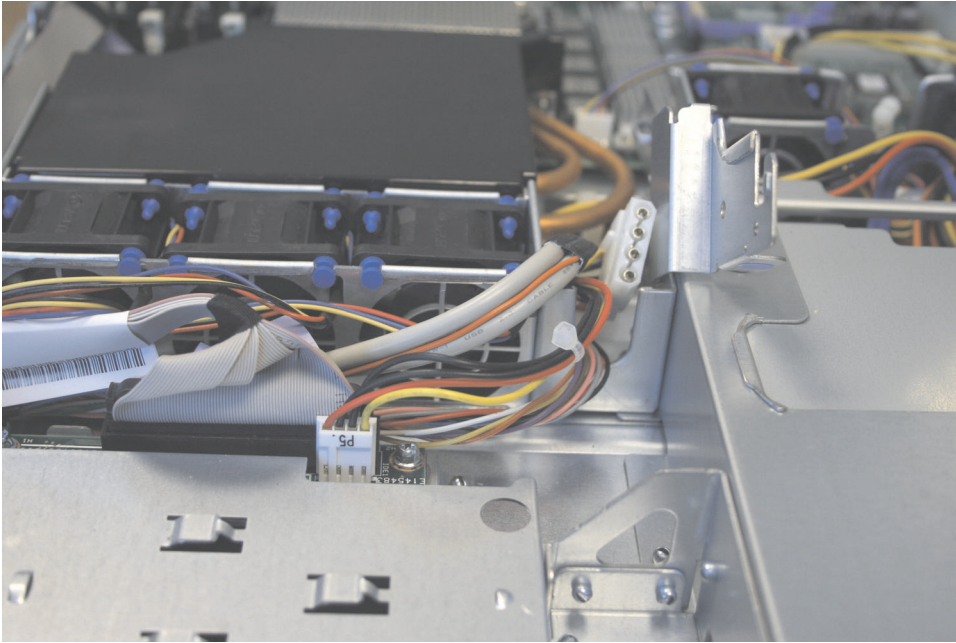
- The air deflector also functions as the backplane latch. In this procedure, you must lift the air deflector to access some of the cables.
  - Notice the routing of all power-supply cables. You will route the power-supply cables the same way when you install the power supply.
1. Read the safety precautions in “Safety and environmental notices” on page xiii.
  2. Turn off the node while ensuring that its data is mirrored and synchronized. See MAP 5350 in the *IBM System Storage SAN Volume Controller Troubleshooting Guide* for more information.

3. Remove the cable-retention bracket and disconnect the power cable from the node. See “Removing the cable-retention bracket” on page 34.
4. Remove the node from the rack and place it on a flat, static-protective surface. See “Removing the SAN Volume Controller from a rack” on page 46.
5. Remove the top cover. See “Removing the top cover” on page 77.
6. Remove the SATA backplane far enough to disconnect the two power cables from it. See “Removing the disk-drive backplane” on page 126.
7. Disconnect the power-supply cables from the 24 PIN POWER connector **1** and the POWER connector **2** on the system board, as shown in Figure 149.



Figure 149. SATA connectors on the SAN Volume Controller 2145-8A4 system board

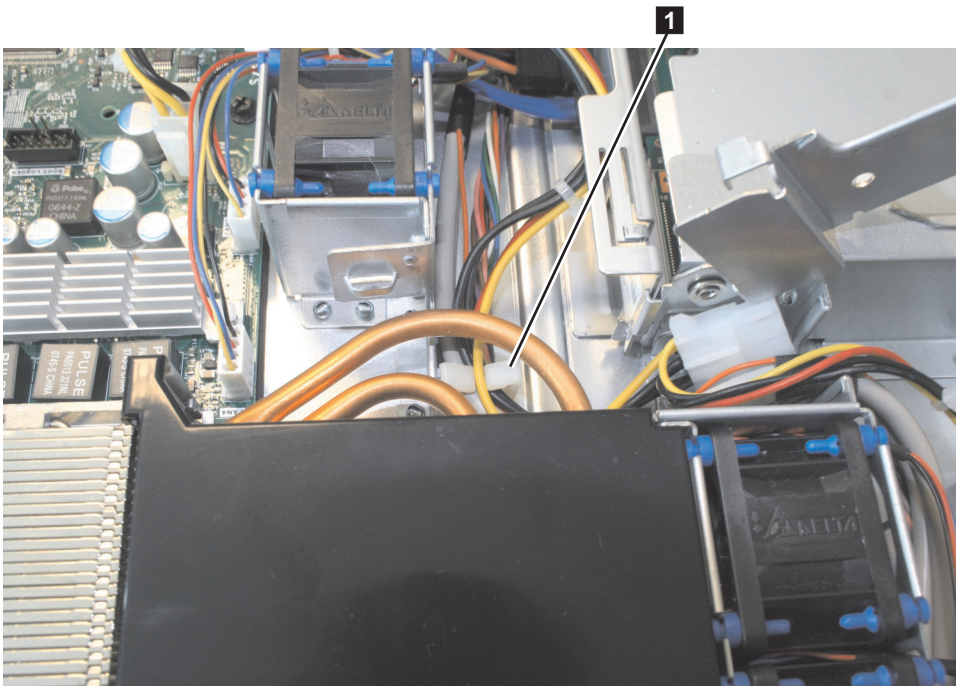
8. Disconnect the power cable, connector P5, which is shown in Figure 150 on page 160, from the CD/DVD interface card.



svc00483

Figure 150. Power P5 connector on the SAN Volume Controller 2145-8A4 power supply

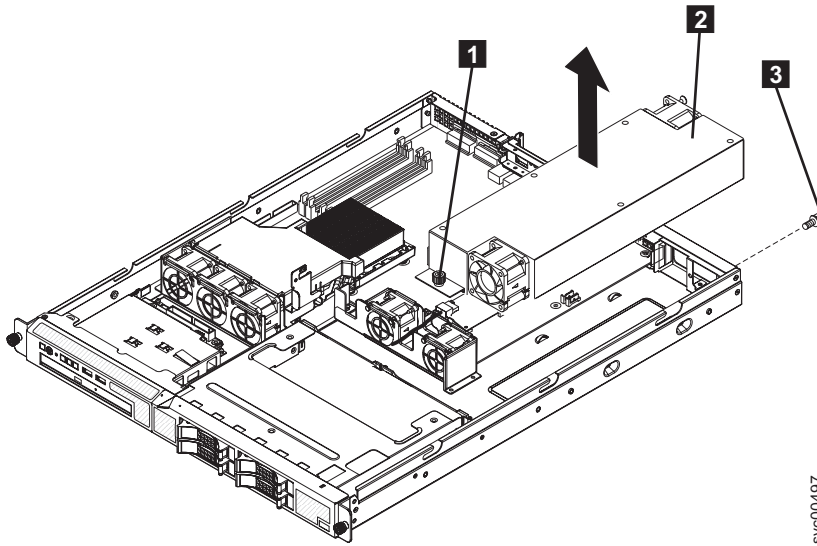
9. Disengage the power cable, which terminates in connector P5, from the retention-clip **1**, which is shown in Figure 151.



svc00486

Figure 151. The retention clip for the SAN Volume Controller 2145-8A4 power-supply cables

10. Remove the screw **3**, shown in Figure 152 on page 161, that holds the power supply to the rear of the chassis.



svc00497

Figure 152. The SAN Volume Controller 2145-8A4 power-supply

11. Loosen the captive thumbscrew **1** that secures the rear of the power supply to the chassis bottom.
12. Lift the power supply **2** out of the bay.

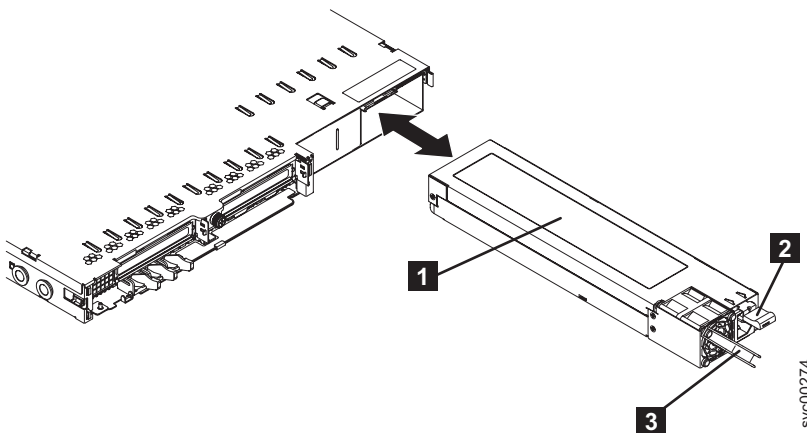
### Removing a SAN Volume Controller 2145-8G4 power supply

This topic describes how to remove a SAN Volume Controller 2145-8G4 power supply.

Ensure that you are aware of the procedures for handling static-sensitive devices before you remove the SAN Volume Controller 2145-8G4 power supply.

Perform the following steps to remove the power supply:

1. Turn off the node while ensuring that its data is mirrored and synchronized. See MAP 5350 in the *IBM System Storage SAN Volume Controller Troubleshooting Guide* for more information.
2. At the back of the node, remove the cable restraint bracket to gain access to the rear of the node and the power supply **1**.
3. Press and hold down the orange release tab **2**, which is shown in Figure 153, and pull the power supply out of the node.



svc00274

Figure 153. SAN Volume Controller 2145-8G4 power supply

- 1** Power supply
- 2** Power supply release tab
- 3** Power supply handle

## Removing a SAN Volume Controller 2145-8F2 or SAN Volume Controller 2145-8F4 power supply

Ensure that you are aware of the procedures for handling static-sensitive devices before you remove the SAN Volume Controller 2145-8F2 or SAN Volume Controller 2145-8F4 power supply.

Perform the following steps to remove the power supply:

1. Turn off the node while ensuring that its data is mirrored and synchronized. See MAP 5350 in the *IBM System Storage SAN Volume Controller Troubleshooting Guide* for more information.
2. Turn off the 2145 UPS-1U that is supplying this node.
3. Remove the SAN Volume Controller 2145-8F4 cable retention bracket.
4. From the rear of the node, as shown in Figure 154, push the orange release lever to the left and then push down on it to release the power-supply assembly. This will move the power supply back, slightly, for easy removal.

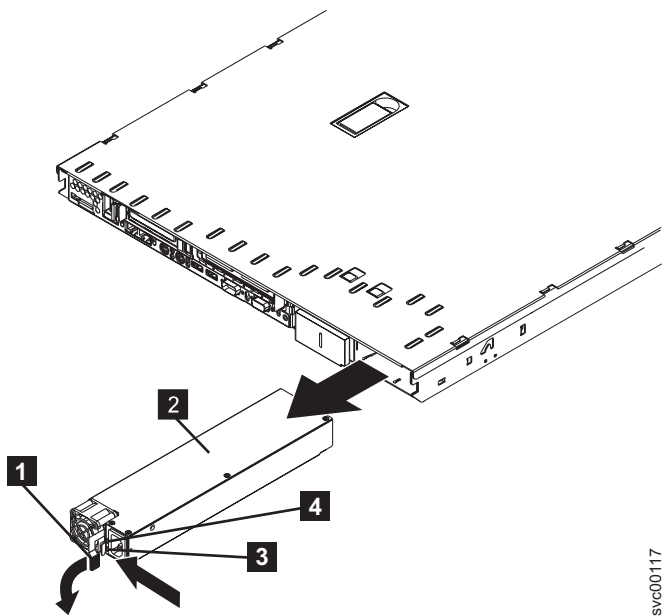


Figure 154. Removing the SAN Volume Controller 2145-8F2 power supply

- 1** Handle
- 2** Power supply
- 3** dc power LED
- 4** ac power LED

5. Pull the power supply out of the power-supply bay.

## Replacing the power supply

You might need to replace the SAN Volume Controller power supply for a service action.



| **Note:** For a translation of the following notice, see *IBM System Storage SAN Volume Controller Safety Notices*.

## DANGER

When working on or around the system, observe the following precautions:

Electrical voltage and current from power, telephone, and communication cables are hazardous. To avoid a shock hazard:

- Connect power to this unit only with the IBM provided power cord. Do not use the IBM provided power cord for any other product.
- Do not open or service any power supply assembly.
- Do not connect or disconnect any cables or perform installation, maintenance, or reconfiguration of this product during an electrical storm.
- The product might be equipped with multiple power cords. To remove all hazardous voltages, disconnect all power cords.
- Connect all power cords to a properly wired and grounded electrical outlet. Ensure that the outlet supplies proper voltage and phase rotation according to the system rating plate.
- Connect any equipment that will be attached to this product to properly wired outlets.
- When possible, use one hand only to connect or disconnect signal cables.
- Never turn on any equipment when there is evidence of fire, water, or structural damage.
- Disconnect the attached power cords, telecommunications systems, networks, and modems before you open the device covers, unless instructed otherwise in the installation and configuration procedures.
- Connect and disconnect cables as described in the following procedures when installing, moving, or opening covers on this product or attached devices.

To disconnect:

1. Turn off everything (unless instructed otherwise).
2. Remove the power cords from the outlets.
3. Remove the signal cables from the connectors.
4. Remove all cables from the devices.

To connect:

1. Turn off everything (unless instructed otherwise).
  2. Attach all cables to the devices.
  3. Attach the signal cables to the connectors.
  4. Attach the power cords to the outlets.
  5. Turn on the devices.
- Sharp edges, corners and joints may be present in and around the system. Use care when handling equipment to avoid cuts, scrapes and pinching.

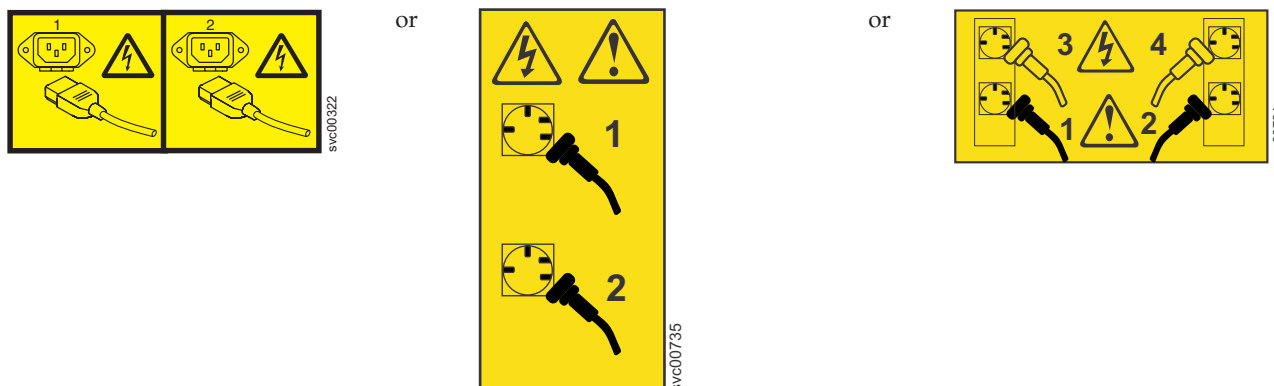
(D005)

## Replacing a SAN Volume Controller 2145-CG8 or 2145-CF8 power supply

You can replace either of the two 675-watt hot-swap redundant power supplies in the SAN Volume Controller 2145-CG8 or 2145-CF8 node. These redundant power supplies operate in parallel, one continuing to power the node if the other fails.

## DANGER

Multiple power cords. The product might be equipped with multiple power cords. To remove all hazardous voltages, disconnect all power cords. (L003)

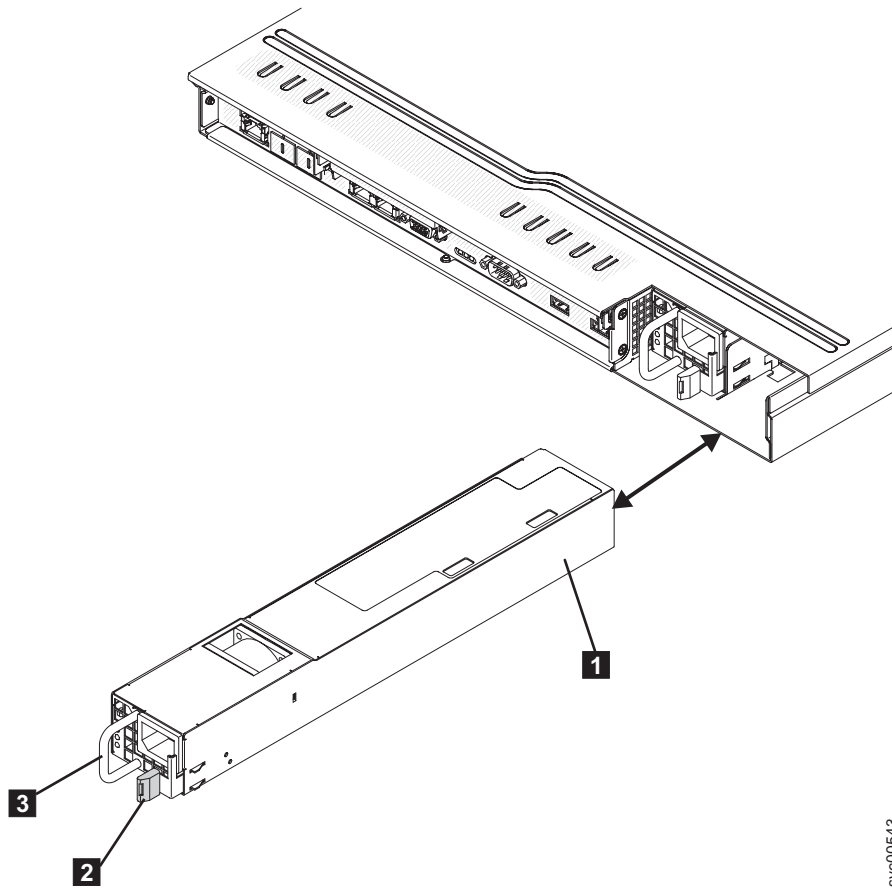


Ensure that you are aware of the procedures for handling static-sensitive devices before you replace the power supply.

**Important:** You can hot swap the power supply. However, using MAP 5350 to power off the node through proven methods avoids risking an abrupt power failure on the node, which avoids the possible corruption of data. This procedure assumes that you have turned off the node using MAP 5350, or that if you did not turn off the node, you used MAP 5350 to ensure that the data is mirrored and synchronized, and that there are no dependent virtual disks (VDisks). See MAP 5350 in the *IBM System Storage SAN Volume Controller Troubleshooting Guide*.

To replace the SAN Volume Controller 2145-CG8 or 2145-CF8 power supply, perform the following steps:

1. Read the safety information to which “Preparing to remove and replace parts” on page 26 refers.
2. Grasp the handle on the rear of the power supply, as shown in Figure 155 on page 165, and slide the power supply forward fully into the node until it clicks in place. Verify that the power supply connects firmly into the power-supply connector.



svc00543

Figure 155. SAN Volume Controller 2145-CG8 or 2145-CF8 power supply

- 1** Power supply
- 2** Power-supply release tab
- 3** Power-supply handle

3. Attach the cable-retention bracket to the power cord from the 2145 UPS-1U and connect the cord to the power-cord connector on the power supply, as described in “Replacing the SAN Volume Controller 2145-CG8 or 2145-CF8 cable-retention brackets” on page 39.
4. If necessary, turn on the node.
5. To the left of the power-cord connector on each power supply, verify that the ac power LED, as shown by **1** in Figure 156 on page 166, and the dc power LED (**2**) are lit.

The green power LEDs indicate that the power supply is operating correctly. A power-supply error is indicated by the amber power-supply error LED (**3**).

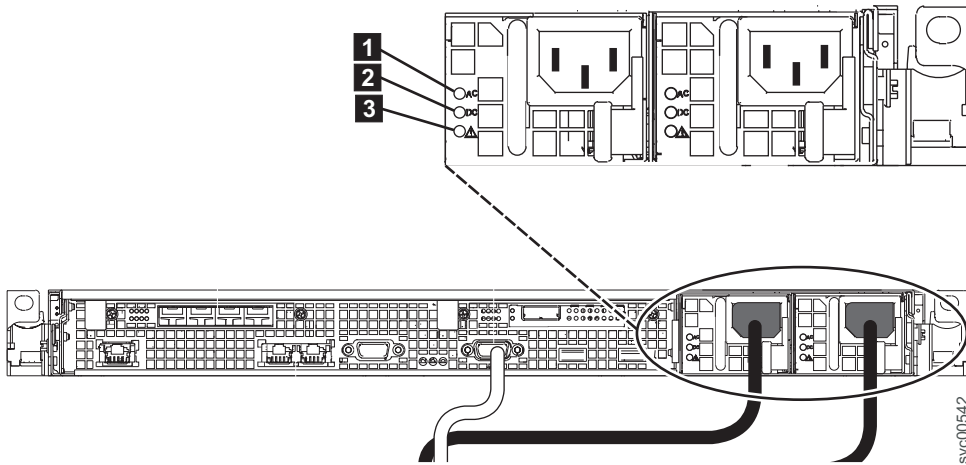


Figure 156. SAN Volume Controller 2145-CG8 or 2145-CF8 ac, dc, and power-error LEDs

### Replacing a SAN Volume Controller 2145-8A4 power supply

Take precautions to avoid damage from static electricity. Wear an anti-static wrist strap and use a static-protected mat or surface. For more information, see “Handling static-sensitive devices” on page xx.

To replace the SAN Volume Controller 2145-8A4 power supply, perform the following steps:

1. Place the new power supply into the bay.
2. Tighten the captive thumbscrew that secures the rear of the power supply to the chassis bottom.
3. Replace the screw that holds the power supply to the rear of the chassis.
4. Make sure that the air deflector **1** is in the open position, as shown in Figure 157.

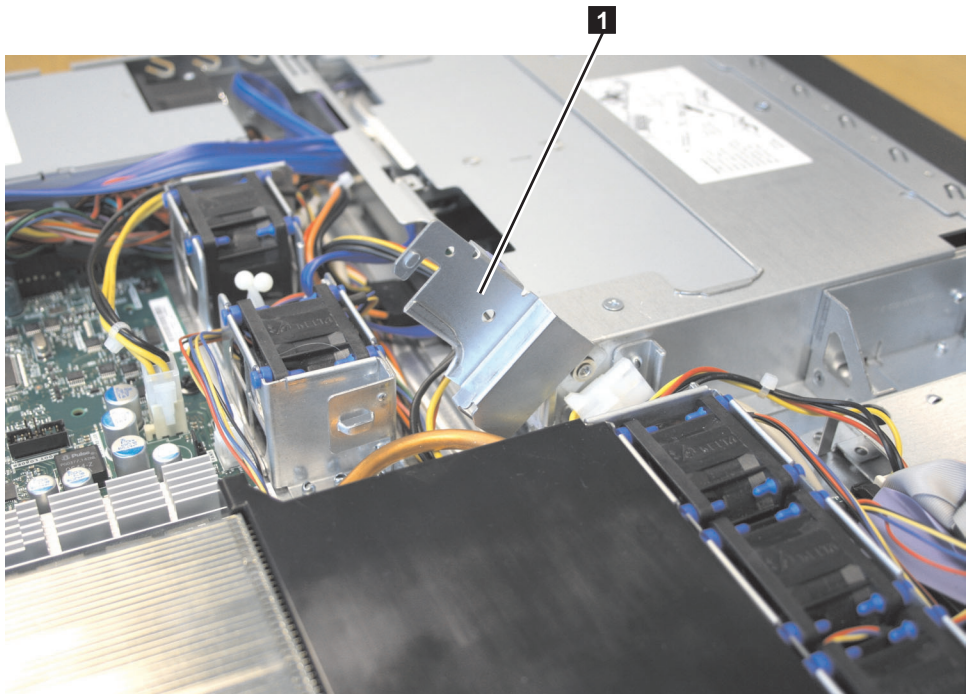


Figure 157. Air deflector for the SAN Volume Controller 2145-8A4 power supply

5. There are two cables to connect to the system board, as shown in Figure 158. Connect the cable labeled P1 **1** to the position marked 24 PIN POWER CONN. Connect the cable labeled P6 **2** to the position marked POWER.



Figure 158. SATA connectors on the SAN Volume Controller 2145-8A4 system board

6. Route the power-supply cable with the P5 connector to the CD/DVD interface card and secure it under the retention-clip **1**, as shown in Figure 159 on page 168, on the chassis.

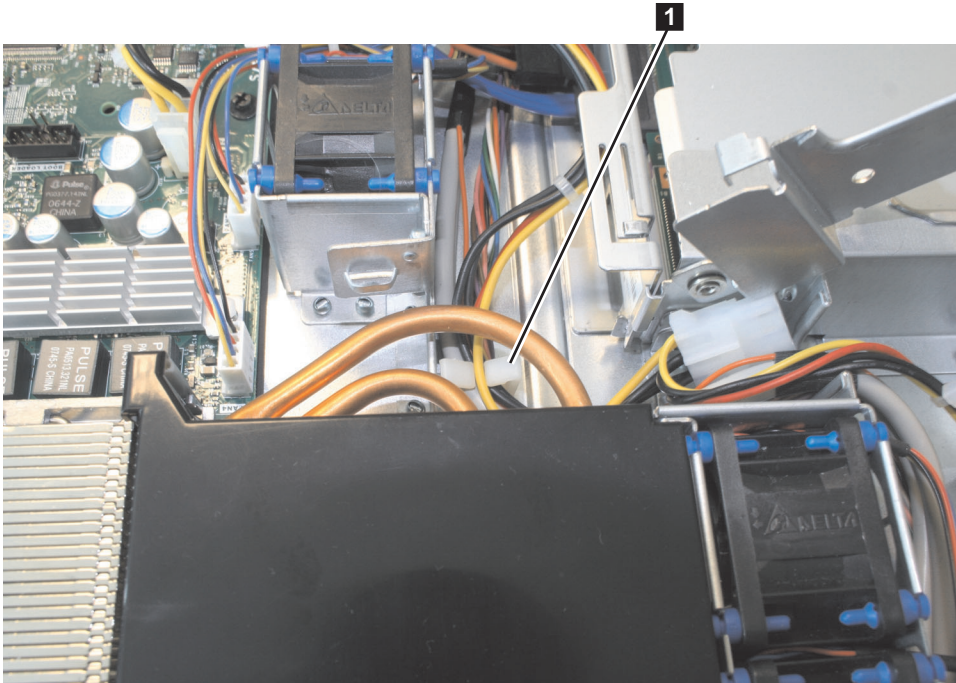


Figure 159. The retention clip for the SAN Volume Controller 2145-8A4 power-supply cables

7. Reconnect the cable to the CD/DVD interface card.
8. Connect the power connectors P2 and P3 to the SATA disk backplane and slide the backplane back into position.
9. Rotate the air deflector into place, making sure that no cables are pinched beneath it, and press it down firmly.
10. Test the power supply:
  - a. For testing on the bench, only connect the ac power cord from the connector on the back of the power supply to a properly grounded electrical outlet. If you are using the combined power/serial cable, do not connect the serial port.
  - b. Make sure that the standby power LED on the system board is lit. If the standby power LED is not lit, discontinue this procedure and obtain a new power supply.
  - c. Press the power-control button. Make sure that the power LED on the front of the node is lit.
    - If the node starts, it will go through the boot sequence and then stop and display boot code Failed 181. This is expected, because the uninterruptible power supply is not connected. Proceed to the next step.
    - If the node does not start, disconnect the ac power cord and contact the IBM Support Center.
  - d. Turn off the node using the power-control button and then disconnect the ac power cord.
11. Replace the top cover. See “Replacing the top cover” on page 81.
12. Place the node in the rack. See “Replacing the SAN Volume Controller in a rack” on page 55.
13. Reconnect the ac power cord into the connector on the back of the power supply, being sure to route the cable through the cable retention bracket in order to minimize mechanical strain on the cable.
14. Connect all external cables that you disconnected before you could remove the power supply.
15. Reconnect the power cord and turn on the 2145 UPS-1U.
16. Turn on the node.
17. Make sure that the power LED on the front of the node is lit.

## Replacing a SAN Volume Controller 2145-8G4 power supply

This topic describes how to replace a SAN Volume Controller 2145-8G4 power supply.

Ensure that you are aware of the procedures for handling static-sensitive devices before you remove the power supply.

To replace the SAN Volume Controller 2145-8G4 power supply, perform the following steps:

1. Grasp the handle on the rear of the power supply (shown in Figure 160) and slide the power supply forward fully into the node until it clicks in place.

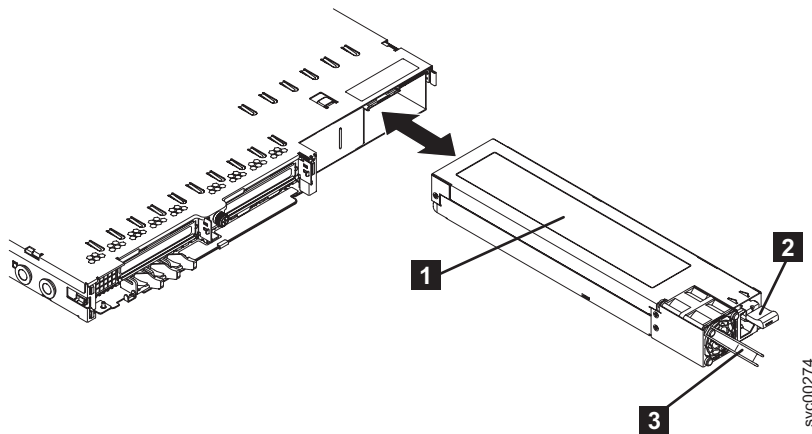


Figure 160. SAN Volume Controller 2145-8G4 power supply

- 1** Power supply
  - 2** Power supply release tab
  - 3** Power supply handle
2. Connect the power cord to the power-cord connector on the power supply, being sure to route the cord through the cable restraint bracket in order to minimize mechanical strain on the cord.
  3. Reconnect the power cord and turn on the 2145 UPS-1U.
  4. Make sure that the ac power LED **1** and the dc power LED **2** (shown in Figure 161 on page 170) on the power supply are lit, indicating that the power supply is operating correctly. The two green LEDs are next to the power-cord connector.

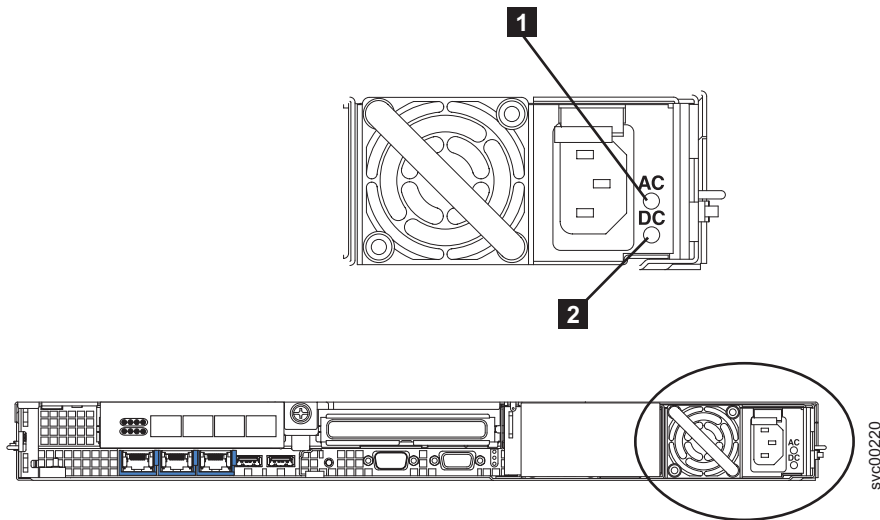


Figure 161. SAN Volume Controller 2145-8G4 ac and dc LEDs

5. Turn on the node.

### Replacing the SAN Volume Controller 2145-8F4 or SAN Volume Controller 2145-8F2 power supply

Ensure that you are aware of the procedures for handling static-sensitive devices before you remove the power supply.

To replace the SAN Volume Controller 2145-8F4 or SAN Volume Controller 2145-8F2 power supply, perform the following steps:

1. Install the power supply in the empty power supply bay:
  - a. Rotate the handle **1** down on the rear of the power supply to the open position, and then slide the power supply forward into the power-supply bay, as shown in Figure 162.

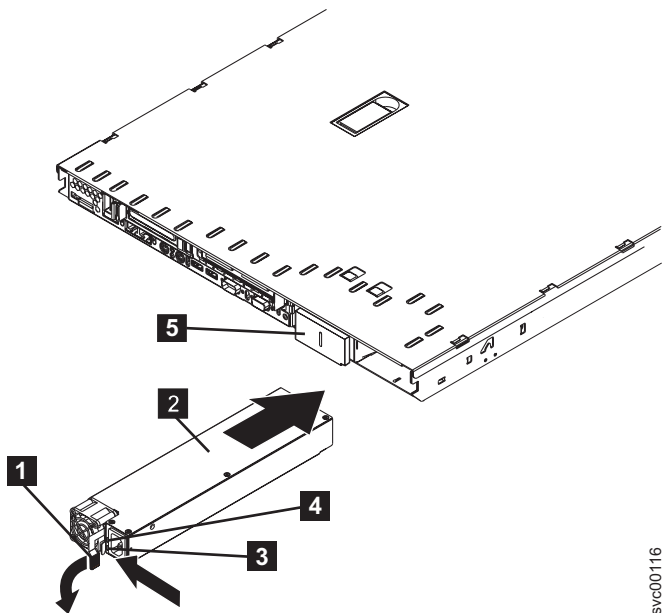


Figure 162. SAN Volume Controller 2145-8F2 power supply



- 1** Handle
- 2** Power supply
- 3** Dc power LED
- 4** Ac power LED

- b. Gently lift the handle up until it clicks. This signals that the power supply is securely seated in the bay.
2. Connect the power cord for the new power supply to the power-cord connector on the power supply.
3. Reconnect the power cord and turn on the 2145 UPS-1U.
4. Turn on the node.
5. Make sure that the power-supply fan starts and the ac power LED **1** and dc power LED **2** (shown in Figure 163) on the power supply are lit, indicating that the power supply is operating correctly.

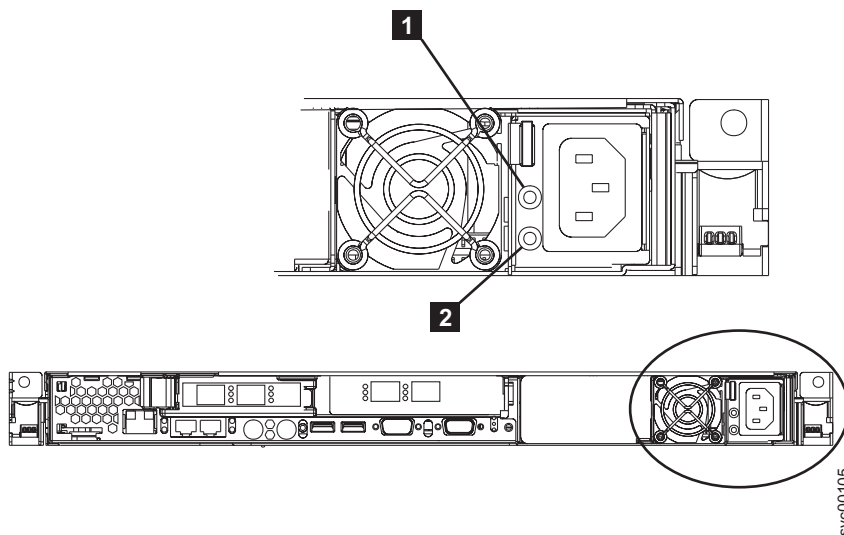


Figure 163. SAN Volume Controller 2145-8F2 or SAN Volume Controller 2145-8F4 ac and dc power LEDs

## Removing the power backplane

The SAN Volume Controller power backplane might have to be removed.

### Removing the SAN Volume Controller 2145-8G4 power backplane

This topic describes how to remove the SAN Volume Controller 2145-8G4 power backplane.

Take precautions to avoid damage from static electricity. Wear an anti-static wrist strap and use a static-protected mat or surface. For more information, see “Handling static-sensitive devices” on page xx.

Perform the following steps to remove the power backplane:

1. Turn off the node while ensuring that its data is mirrored and synchronized. See MAP 5350 in the *IBM System Storage SAN Volume Controller Troubleshooting Guide* for more information.
2. Remove the cable-retention bracket and disconnect the power cable from the node. See “Removing the cable-retention bracket” on page 34.
3. Remove the node from the rack and place it on a flat, static-protective surface. See “Removing the SAN Volume Controller from a rack” on page 46.
4. Remove the top cover. See “Removing the top cover” on page 77.

5. Disconnect the power supplies from the power-supply backplane, as shown in Figure 164.

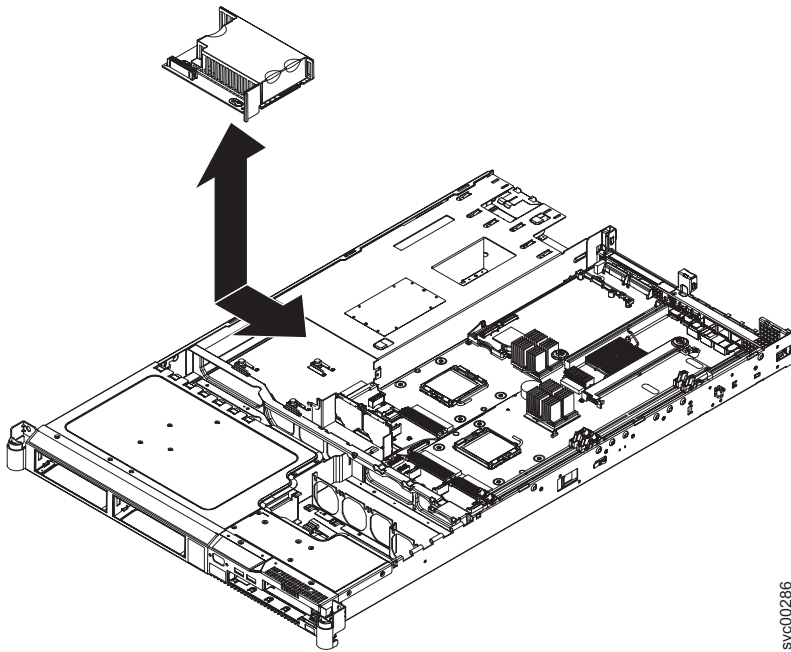


Figure 164. SAN Volume Controller 2145-8G4 power backplane

6. Disconnect the cable connected to the power-supply backplane.
7. Slide the power-supply backplane to the left, disconnecting it from the system board.
8. Lift the power-supply backplane to remove it from the node.

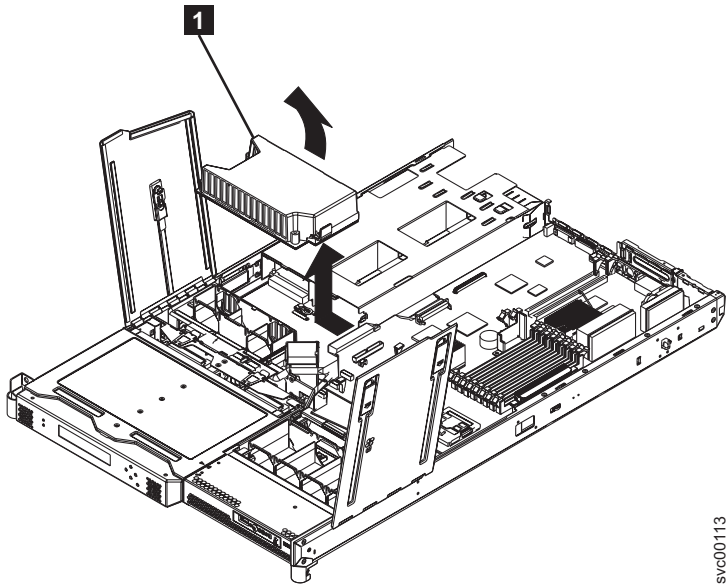
### Removing the SAN Volume Controller 2145-8F4 or SAN Volume Controller 2145-8F2 power backplane

The SAN Volume Controller 2145-8F4 or SAN Volume Controller 2145-8F2 power backplane might have to be replaced.

Take precautions to avoid damage from static electricity. Wear an anti-static wrist strap and use a static-protected mat or surface. For more information, see “Handling static-sensitive devices” on page xx.

Perform the following steps to remove the power backplane:

1. Turn off the node while ensuring that its data is mirrored and synchronized. See MAP 5350 in the *IBM System Storage SAN Volume Controller Troubleshooting Guide* for more information.
2. Remove the SAN Volume Controller 2145-8F4 cable retention bracket.
3. To make sure that you can replace all cables in the same ports from which they were removed, record the position of all Fibre Channel and Ethernet cables; then remove all cables from the back of the node.
4. Remove the node from the rack and place it on a flat, static-protective surface. See “Removing the SAN Volume Controller from a rack” on page 46.
5. Remove the top cover. See “Removing the top cover” on page 77.
6. Disconnect the power supply from the power backplane.
7. Slide the power backplane to the left, as shown in Figure 165 on page 173, and disconnect it from the system board.



svc00113

Figure 165. SAN Volume Controller 2145-8F4 or SAN Volume Controller 2145-8F2 power backplane

8. Remove the power backplane from the node.

## Replacing the power backplane

The power backplane might have to be replaced for a service action.

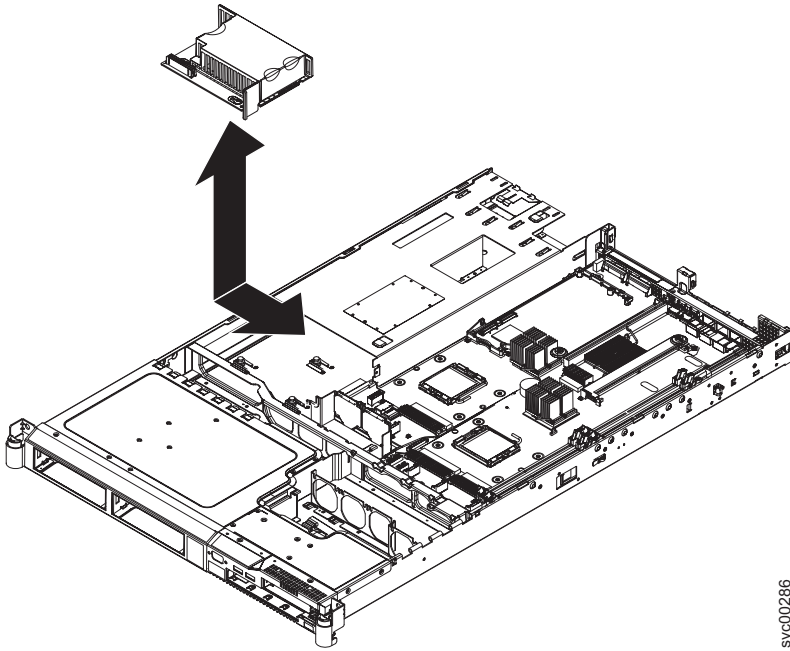
### Replacing the SAN Volume Controller 2145-8G4 power backplane

This topic describes how to replace the SAN Volume Controller 2145-8G4 power backplane.

Take precautions to avoid damage from static electricity. Wear an anti-static wrist strap and use a static-protected mat or surface. For more information, see “Handling static-sensitive devices” on page xx.

Perform the following steps to replace the power backplane:

1. Align the keyhole slots in the power-supply backplane with the mounting pins in the node.
2. Slide the power-supply backplane toward the right side of the node until the edge-connectors are fully connected.
3. Reconnect the cables to the power-supply backplane.
4. Install the power supply into the power-supply bay as shown in Figure 166 on page 174.



svr00286

Figure 166. SAN Volume Controller 2145-8G4 power backplane

5. Replace the top cover. See “Replacing the top cover” on page 81.
6. Place the node in the rack. See “Replacing the SAN Volume Controller in a rack” on page 55.
7. Reconnect the Fibre Channel and Ethernet cables. Ensure that you replace the Fibre Channel and Ethernet cables in the same ports from which they were removed.
8. Turn on the node.

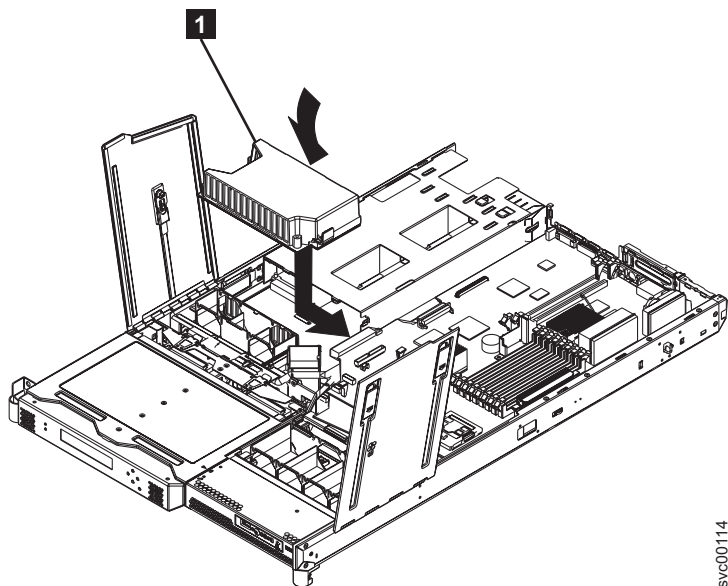
### Replacing the SAN Volume Controller 2145-8F4 or SAN Volume Controller 2145-8F2 power backplane

The SAN Volume Controller 2145-8F4 or SAN Volume Controller 2145-8F2 power backplane might have to be replaced.

Take precautions to avoid damage from static electricity. Wear an anti-static wrist strap and use a static-protected mat or surface. For more information, see “Handling static-sensitive devices” on page xx.

Perform the following steps to replace the power backplane:

1. Lower the power backplane into position on the SAN Volume Controller 2145-8F4 or SAN Volume Controller 2145-8F2 and slide it to the right to connect it to the system board. See Figure 167 on page 175.



svc00114

Figure 167. Replacing the SAN Volume Controller 2145-8F4 or SAN Volume Controller 2145-8F2 power backplane

2. Connect the power supply to the power backplane.
3. Replace the top cover. See “Replacing the top cover” on page 81.
4. Place the node in the rack. See “Replacing the SAN Volume Controller in a rack” on page 55.
5. Reconnect the Fibre Channel and Ethernet cables. Ensure that you replace the Fibre Channel and Ethernet cables in the same ports from which they were removed.
6. Turn on the node.

## Removing and replacing the frame assembly

This topic describes how to replace the SAN Volume Controller 2145-8F2 and SAN Volume Controller 2145-8F4 frame assembly.

The SAN Volume Controller 2145-8F2 and SAN Volume Controller 2145-8F4 frame assembly must be replaced when the system board fails or when replacing other system board components does not isolate the error.

**Note:** If you are replacing the frame assembly after you replaced the service controller, you must ensure that the node can be added back to the cluster. Use the following choices, which are based on the actions that you must take or have already taken, to determine how the node can be added back to the cluster:

- If you are replacing the node because the new service controller did not fix the original problem and you could not update the WWNN of the service controller, use the original service controller when you perform the frame replacement. This ensures that the WWNN is correct.
- If you have already made any required updates to the worldwide node name (WWNN) and the updates are stored in the service controller, continue with the following instructions to replace the frame assembly.
- If you must use a new service controller when you replace the frame assembly, use the following instructions to replace the frame assembly and make sure that you follow the special instructions in step 11 on page 176.

Perform the following steps to replace the frame assembly:

1. Write down the 7-character serial number from the serial number label that is on the front of the node.

For the SAN Volume Controller 2145-8F2 and SAN Volume Controller 2145-8F4 models only: If you cannot read the serial number or if you want to verify that it is correct, you can also find it on the node vital product data (VPD).

Perform the following steps to find the serial number in the VPD:

- a. Start the management GUI application.
  - b. Display the VPD for the failed node.
  - c. Note the system serial number.
2. Turn off the node while ensuring that its data is mirrored and synchronized. See MAP 5350 in the *IBM System Storage SAN Volume Controller Troubleshooting Guide* for more information.
  3. Remove the node from the rack and place it on a flat, static-protective surface. See “Removing the SAN Volume Controller from a rack” on page 46.
  4. Remove the top cover. See “Removing the top cover” on page 77.
  5. Remove the Fibre Channel adapter cards from the frame assembly that you are replacing.
  6. Remove the service controller from the frame assembly you are replacing.
  7. Install the Fibre Channel adapter cards into the new frame assembly.
  8. Install the service controller into the new frame assembly.
  9. Replace the top cover. See “Replacing the top cover” on page 81.
10. Place the node in the rack. See “Replacing the SAN Volume Controller in a rack” on page 55.
  11. Start the node using the node rescue procedure.

**Note:** If you have to install a new service controller in the frame assembly, you must perform the next steps to allow the node rescue to find a suitable donor node.

- a. Turn on the node. Use your SAN monitoring tools to determine the WWNN of the node.
- b. Rezone the switch to allow at least one port of the replaced node to connect to at least one port of an existing node.
- c. Perform a node rescue.
- d. Set the WWNN of the replacement node to match the node that it replaced. See "Node WWNN" in the *IBM System Storage SAN Volume Controller Troubleshooting Guide* for more information.
- e. Rezone the switch to its original settings.
- f. Add the node back into the cluster.
- g. Clearly label the original service controller to indicate that its WWNN has been re-used, and that the part cannot be used without first changing the WWNN.

**Attention:** It is essential that you perform all the stages of the next step to ensure that the replacement system is set to the serial number of the original machine.

12. If you are performing this repair as part of a fix procedure, you will be prompted to type the machine serial number that you noted above. Otherwise, perform the following steps:
  - a. Delete the failed node from the cluster.
  - b. Add the repaired node to the cluster.
  - c. Start the command-line interface (CLI).
  - d. Issue the following command:

```
writesernum -sernum nodeserialnumber nodename
```

where *nodeserialnumber* is the number that you noted previously and *nodename* is the name of the repaired node that you added in this step.

For example, to write the machine serial number to the system board when the serial number is “13-FEDCB” and the node name is “ZYXW3,” you would issue the following command:

```
writesernum -sernum 13FEDCB ZYXW3
```

**Note:** The node will restart as soon as the serial number has been written to it.

- e. Write the serial number that you noted previously on the blank serial number label on the front of the node.

## Removing and replacing the Fibre Channel SFP transceiver on a SAN Volume Controller node

When a failure occurs on a single Fibre Channel link, the SFP transceiver might need to be replaced.

The SFP transceiver is designed to be hot-plugged, so that you do not need to power off the SAN Volume Controller node.

### CAUTION:

**Some laser products contain an embedded Class 3A or Class 3B laser diode. Note the following information: laser radiation when open. Do not stare into the beam, do not view directly with optical instruments, and avoid direct exposure to the beam. (C030)**

Perform the following steps to remove and then replace the SFP transceiver:

1. Carefully determine the failing physical port connection. See the *IBM System Storage SAN Volume Controller Troubleshooting Guide* for illustrations of the Fibre Channel port locations.

**Important:** SAN Volume Controller nodes are now supported with both long-wave SFP transceivers and short-wave SFP transceivers. A long-wave SFP transceiver has some blue components that are visible even when the SFP transceiver is plugged in. You must replace an SFP transceiver with the same type of SFP transceiver that you are replacing. If the SFP transceiver to replace is a long wave SFP transceiver, for example, you must provide a suitable replacement. Removing the wrong SFP transceiver could result in loss of data access.

2. Remove the Fibre Channel cable by pressing the release tab and pulling the cable out. Be careful to exert pressure only on the connector and do not pull on the Fibre Channel cables.
3. Remove the SFP transceiver. There are a number of different handling or locking mechanisms that are used on the SFP transceivers. Table 24 describes the usual type of mechanisms that are found on a SAN Volume Controller model. It is possible, however, that the installed SFP transceivers have a different mechanism than is indicated.

Table 24. Instructions for removing the SFP transceiver

SAN Volume Controller model	Removal instructions
SAN Volume Controller models 2145-CG8, 2145-CF8, 2145-8A4, 2145-8G4, and 2145-8F4	Locate the release handle that is incorporated into the SFP transceiver, unclip the handle, and then use the handle to pull out the SFP transceiver.
SAN Volume Controller 2145-8F2	Locate the small black locking tag on the bottom of the SFP transceiver, push it back, and then pull out the SFP transceiver.
<b>Note:</b> Other SFP transceivers might have a plastic tag. If so, pull the tag to remove the SFP transceiver.	

**Important:** The customer might be using a non-standard SFP transceiver. If so, the customer should alert you as to the SFP transceiver to use, and provide the SFP transceiver to you. Always check that the SFP transceiver that you replace matches the SFP transceiver that you remove.

4. Push the new SFP transceiver into the aperture and ensure it is securely pushed home. The SFP transceiver usually locks into place without having to swing the release handle until it locks flush with the SFP transceiver. Figure 168 on page 178 illustrates an SFP transceiver and its release handle.



svc00418

Figure 168. SFP transceiver

5. Reconnect the Fibre Channel cable.
6. Confirm that the error is now fixed. Check the Fibre Channel port status using the front-panel display. If possible, check the status given by the SAN monitoring tools of the customer. Either mark the error as fixed or restart the node depending on the failure indication that you originally noted.

## Removing the Fibre Channel adapter assembly

Use the information in this topic when you need to remove a Fibre Channel adapter or Fibre Channel adapter assemblies.

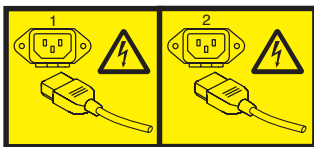
Take precautions to avoid damage from static electricity. Wear an anti-static wrist strap and use a static-protected mat or surface. For more information, see “Handling static-sensitive devices” on page xx.

## Removing the SAN Volume Controller 2145-CG8 or 2145-CF8 Fibre Channel adapter assembly

1. To remove the SAN Volume Controller 2145-CG8 or 2145-CF8 Fibre Channel adapter assembly, perform the following steps:

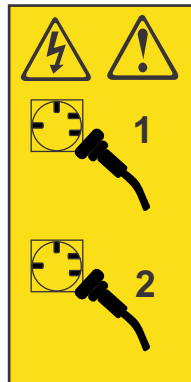
### DANGER

Multiple power cords. The product might be equipped with multiple power cords. To remove all hazardous voltages, disconnect all power cords. (L003)



svc00322

or



svc00735

or



svc00734



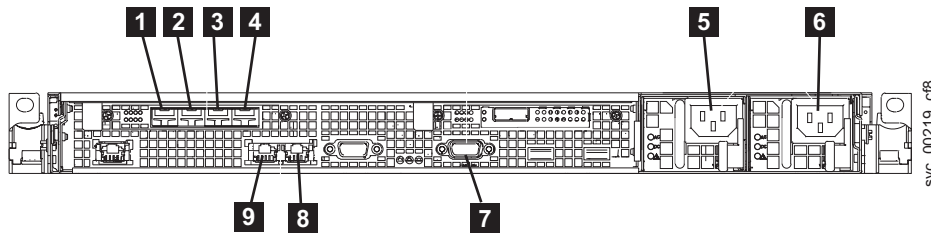


Figure 169. Connectors on the rear of the SAN Volume Controller 2145-CG8 or 2145-CF8

- 1** Fibre Channel port 1
- 2** Fibre Channel port 2
- 3** Fibre Channel port 3
- 4** Fibre Channel port 4
- 5** Power connector 1
- 6** Power connector 2
- 7** Serial port for UPS communications (RS232)
- 8** Ethernet port 2
- 9** Ethernet port 1

This service action requires you to remove the cover and:

- Turn the node off.
- Disconnect the power cables.
- Disconnect the data cables.

To remove the SAN Volume Controller 2145-CG8 or 2145-CF8 Fibre Channel adapter assembly, perform the following steps:

1. Read the safety information to which “Preparing to remove and replace parts” on page 26 refers.
2. Follow the procedure in MAP 5350 in the *IBM System Storage SAN Volume Controller Troubleshooting Guide* to verify that the node data is mirrored and synchronized, and that there are no dependent volumes before turning off the node.
3. Slide the node out on its slide rails to the fully extended position.
4. When the node is completely turned off, remove the cable-retention brackets and disconnect the power cables, as described in “Removing the cable-retention bracket” on page 34.
5. To make sure that you can replace all cables in the same ports from which they were removed, label the port position of each Fibre Channel and Ethernet cable; then remove all cables from the back of the node.
6. Optional: Remove the node from the rack and place it on a flat, static-protective surface. See “Removing the SAN Volume Controller from a rack” on page 46.
7. Remove the top cover. See “Removing the top cover” on page 77.
8. Remove all small form-factor pluggable (SFP) transceivers before removing the adapter, as described in “Removing and replacing the Fibre Channel SFP transceiver on a SAN Volume Controller node” on page 177.
9. Remove the two M3 screws that attach the adapter assembly to the back rail.

The Fibre Channel adapter assembly and the high-speed SAS adapter assembly each attach to the back rail with two screws, as shown in the partial view of the rail with the Fibre Channel adapter

assembly attached in Figure 170.

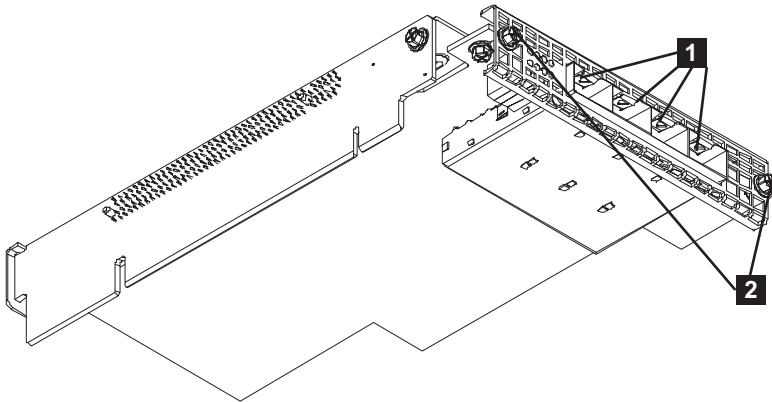
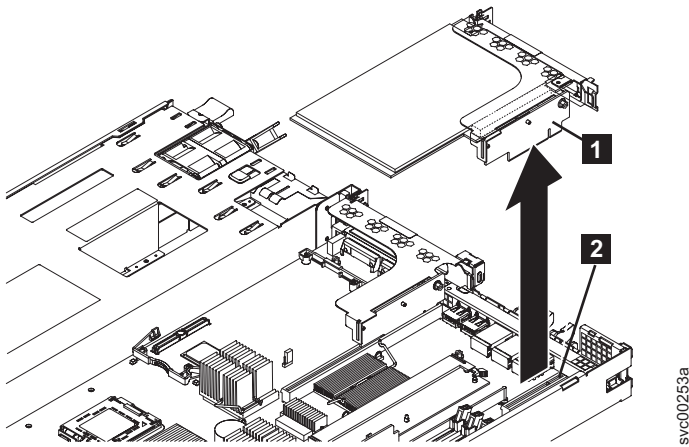


Figure 170. The SAN Volume Controller 2145-CG8 or 2145-CF8 Fibre Channel adapter

- 1** Fibre Channel ports 1 - 4
- 2** Back-rail retaining screws

10. After removing the back-rail retaining screws for the adapter assembly, grasp the riser-card assembly at either end and pull up out of the slot 1 riser-card connector, as shown in Figure 171. Once the riser card clears the connector, gently twist the card assembly to separate the assembly from the node.



svc00253a

Figure 171. Removing the Fibre Channel riser-card assembly for the SAN Volume Controller 2145-CG8 or 2145-CF8

When looking from the back, the slot 1 connector is the connector on the left. The slot 2 connector might contain either of the optional adapter features, which are the high-speed SAS riser-card assembly or the 10 Gbps Ethernet adapter riser-card assembly. If neither option is present, the slot 2 connector contains a riser-card adapter only. The slot 2 connector is on the right side of the system board, when looking from the back of the node.

11. Place the riser-card assembly on a flat, static-protective surface.
12. If you are instructed to return the Fibre Channel adapter assembly, follow all packaging instructions, and use any packaging materials for shipping that are supplied to you.

## Removing the SAN Volume Controller 2145-8A4 Fibre Channel adapter assembly

You need to remove the riser-card assembly from the SAN Volume Controller 2145-8A4 node and then remove the Fibre Channel adapter assembly from the riser-card assembly.

Perform the following steps to remove a Fibre Channel adapter assembly:

1. Turn off the node while ensuring that its data is mirrored and synchronized. See MAP 5350 in the *IBM System Storage SAN Volume Controller Troubleshooting Guide* for more information.
2. Remove the cable-retention bracket and disconnect the power cable from the node. See “Removing the cable-retention bracket” on page 34.
3. Remove the node from the rack and place it on a flat, static-protective surface. See “Removing the SAN Volume Controller from a rack” on page 46. Remove the node from the rack and place it on a flat, static-protective surface. See “Removing the SAN Volume Controller from a rack” on page 46.
4. Remove the top cover. See “Removing the top cover” on page 77.
5. Grasp the riser-card assembly at the front and rear edges and lift to remove it from the node. Place the riser-card assembly shown in Figure 172 on a flat, static-protective surface.

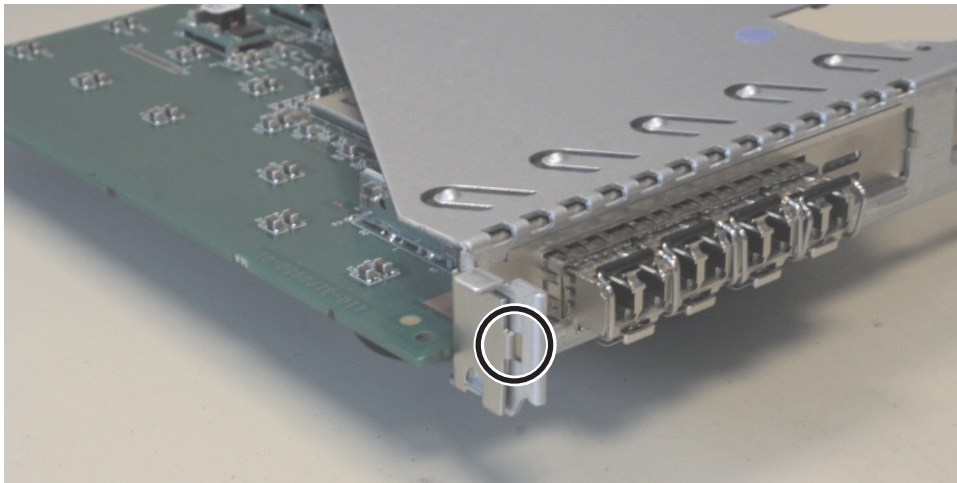


Figure 172. SAN Volume Controller 2145-8A4 riser-card assembly

6. Remove the four SFP transceivers from the adapter. To do this, unclip the release handle shown in Figure 173 and then use the handle to pull out each SFP transceiver.



Figure 173. SFP transceiver

7. Slide the adapter straight back from the connector and out of the riser-card assembly. Do not try to slide the adapter at an angle.

## Removing the SAN Volume Controller 2145-8G4 Fibre Channel adapter assembly

Perform the following steps to remove the SAN Volume Controller 2145-8G4 Fibre Channel adapter assembly:

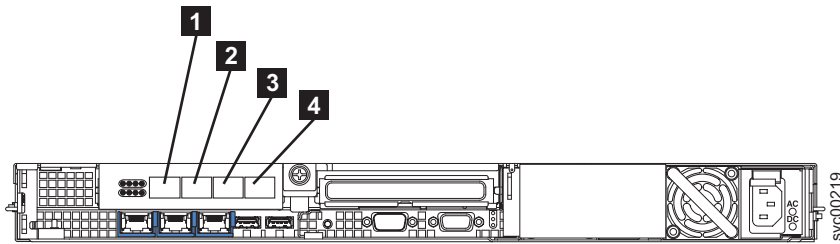


Figure 174. The physical port numbers for the SAN Volume Controller 2145-8G4

1. Turn off the node while ensuring that its data is mirrored and synchronized. See MAP 5350 in the *IBM System Storage SAN Volume Controller Troubleshooting Guide* for more information.  
**Attention:** When you install an adapter, make sure that the adapter is correctly seated in the connector before you turn on the server. An incorrectly seated adapter might cause damage to the system board, the riser-card assembly, or the adapter.
2. When the node is completely turned off, remove the main power cable-retention bracket and remove the power cable from the rear of the node.
3. After writing down their locations, remove all other cables from the node.
4. Remove the node from the rack and place it on a flat, static-protective surface. See “Removing the SAN Volume Controller from a rack” on page 46.
5. Remove the top cover. See “Removing the top cover” on page 77.
6. Grasp the riser-card assembly ( **2** in Figure 175) at the rear edge and lift to remove the riser-card assembly.

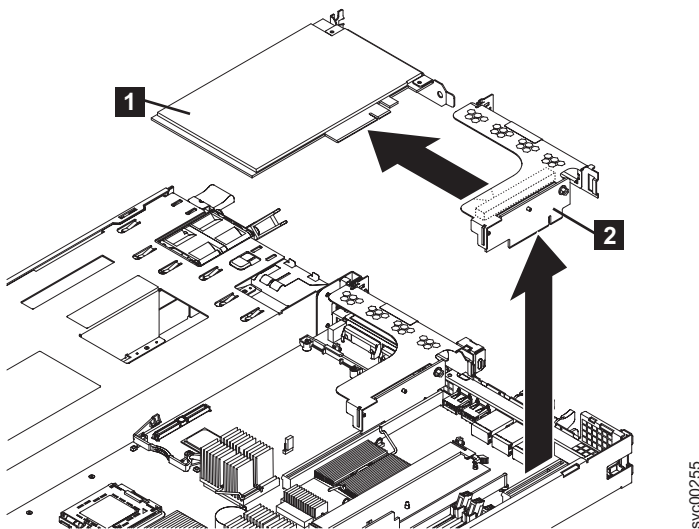


Figure 175. Removing the riser-card assembly from the SAN Volume Controller 2145-8G4

7. Place the riser-card assembly on a flat, static-protective surface.
8. Carefully grasp the adapter **1** by its top edge or upper corners, and pull the adapter from the riser-card assembly **2**.

## Removing the SAN Volume Controller 2145-8F4 or SAN Volume Controller 2145-8F2 adapter assemblies

The SAN Volume Controller 2145-8F2 contains two types of Fibre Channel adapters that are functionally identical but not interchangeable. The SAN Volume Controller 2145-8F4 contains a single 4-Port adapter in PCI slot 2.

Figure 176 shows the rear view of the SAN Volume Controller 2145-8F2 with the two Fibre Channel ports identified:

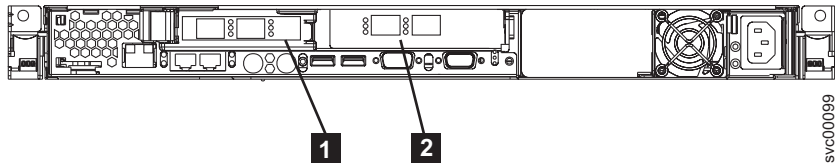


Figure 176. Rear view of the SAN Volume Controller 2145-8F2 with Fibre Channel ports indicated

- 1** PCI slot 1 - contains a dual port Fibre Channel host bus adapter (HBA) in a low profile
- 2** PCI slot 2 - contains a dual port Fibre Channel HBA at full height

Figure 177 shows the rear view of the SAN Volume Controller 2145-8F4 with the 4-port Fibre Channel HBA identified:

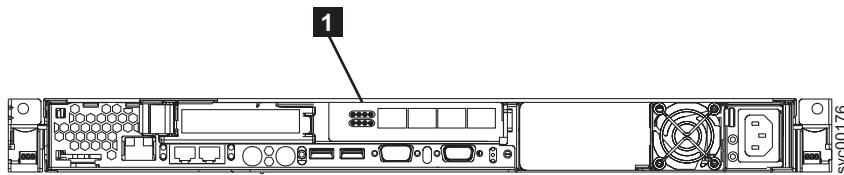


Figure 177. Rear view of the SAN Volume Controller 2145-8F4

- 1** PCI slot 2 - contains a 4-port Fibre Channel HBA

Perform the following steps to remove a Fibre Channel adapter assembly:

1. Turn off the node while ensuring that its data is mirrored and synchronized. See MAP 5350 in the *IBM System Storage SAN Volume Controller Troubleshooting Guide* for more information.
2. Remove the node from the rack and place it on a flat, static-protective surface. See “Removing the SAN Volume Controller from a rack” on page 46.
3. Remove the top cover. See “Removing the top cover” on page 77.
4. Perform the following steps to remove the PCI card from PCI slot 1 (low profile):
  - a. Pull the blue PCI card retainer **1** from the rear of the node, shown in Figure 178 on page 184.

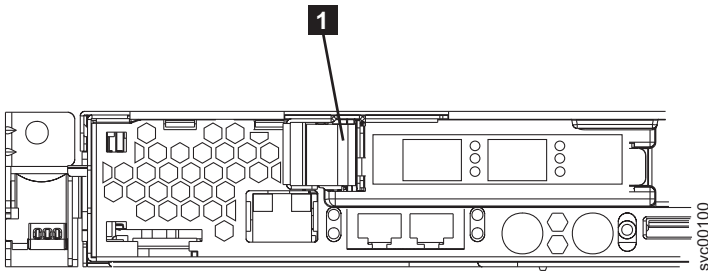


Figure 178. SAN Volume Controller 2145-8F2 or SAN Volume Controller 2145-8F4 PCI slot 1 card retainer

**1** Slot 1 card retainer

- b. Hold the blue adapter support away from the card and pull it away from the edge connector on the riser card assembly, as shown in Figure 179.

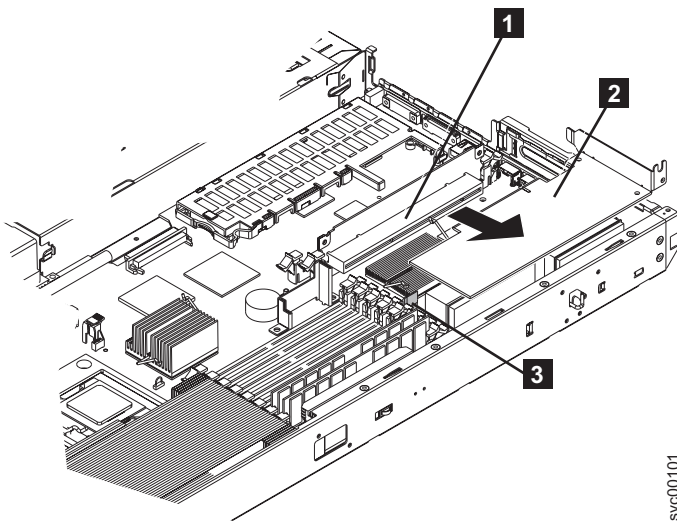


Figure 179. SAN Volume Controller 2145-8F2 riser card and low profile adapter

- 1** Riser card
- 2** Low-profile adapter
- 3** Low-profile adapter support

- 5. Perform the following steps to remove the PCI card from PCI slot 2:
  - a. Open the retaining clips on both sides of the slot 2 riser card (**2** in Figure 180 on page 185) by pushing the clips down and away from the riser card until the clips are no longer attached to the riser card.

**Note:** Insert your finger into the access hole on the slot 2 adapter cover to open the retention latch at the rear of the node.

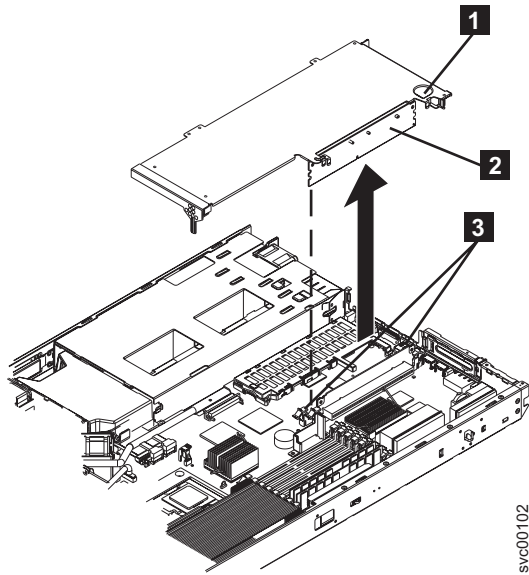


Figure 180. SAN Volume Controller 2145-8F2 or SAN Volume Controller 2145-8F4 slot 2 adapter

- 1** Access hole to retention latch
- 2** Riser card
- 3** Riser-card retention latches

- b. Unlatch the PCI slot 2 riser card **2** and pull it clear of the system-board edge connector.
- c. Lift the riser card clear of the frame and pull the Fibre Channel card from the riser-card edge connector.

## Replacing the Fibre Channel adapter assembly

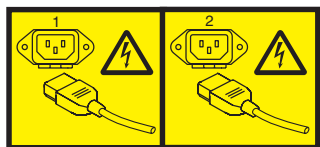
Use these instructions when you need to replace the adapter assemblies.

### Replacing the SAN Volume Controller 2145-CG8 or 2145-CF8 Fibre Channel adapter assembly

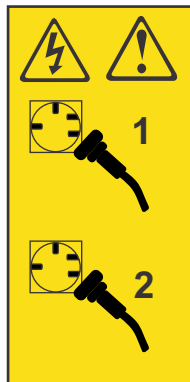
- | Perform the following steps to replace the SAN Volume Controller 2145-CG8 or 2145-CF8 Fibre Channel adapter assembly:

#### DANGER

| **Multiple power cords.** The product might be equipped with multiple power cords. To remove all hazardous voltages, disconnect all power cords. (L003)



or



or



1. Remove all small form-factor pluggable (SFP) transceivers, as described in “Removing and replacing the Fibre Channel SFP transceiver on a SAN Volume Controller node” on page 177.
2. Grasp each end of the riser card, tilt the adapter card so that the side with the PCI riser card is higher than the opposite side, and the back is higher than the front.
3. Locate the cage which houses the SFP transceivers through the hole in the back of the node.
4. Align the Fibre Channel adapter riser-card connector with the connector on the system board.

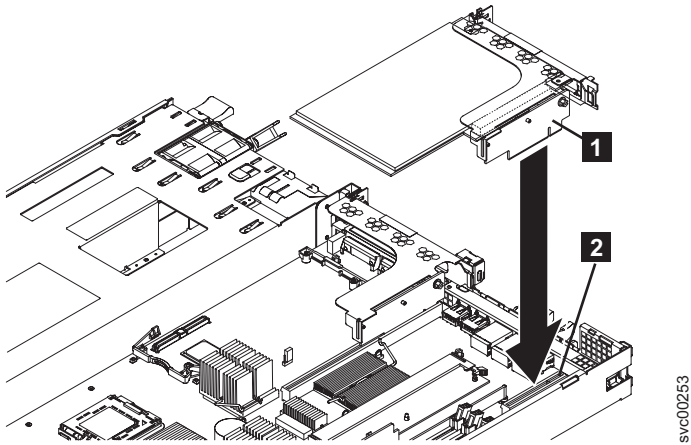


Figure 181. Replacing the Fibre Channel riser-card assembly for the SAN Volume Controller 2145-CG8 or 2145-CF8

- 1** Fibre Channel riser-card assembly
- 2** System-board riser-card connector

5. Press down on the top of the riser card until the card settles in the slot.
6. Anchor the adapter card assembly using two fastening screws from the back of the node.

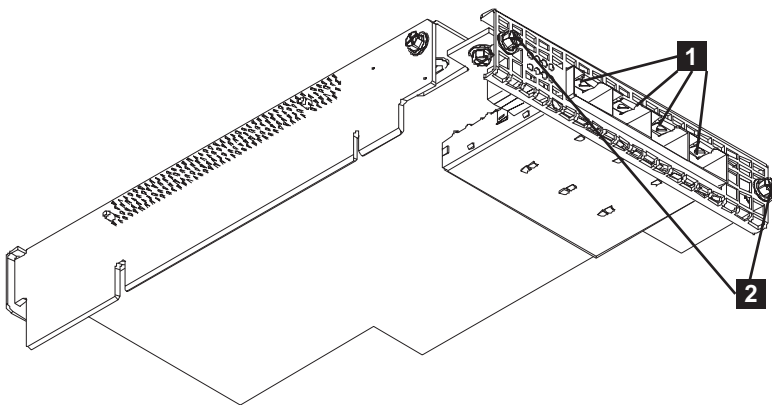


Figure 182. The SAN Volume Controller 2145-CG8 or 2145-CF8 Fibre Channel adapter

- 1** Fibre Channel ports 1 - 4
- 2** Back-rail retaining screws



7. Install all of the SFP transceivers into the adapter card, as described in “Removing and replacing the Fibre Channel SFP transceiver on a SAN Volume Controller node” on page 177.
8. Make sure that all cables, adapters, and other components are installed and seated correctly and that you have not left loose tools or parts inside the node. Make sure that all internal cables are correctly routed. If you disconnected the Fibre Channel and Ethernet cables, make sure that each cable is reconnected to the same port from which it was removed.
9. Replace the top cover. See “Replacing the top cover” on page 81.
10. Place the node in the rack. See “Replacing the SAN Volume Controller in a rack” on page 55.
11. Replace the cable-retention brackets and reconnect the power cables, as described in “Replacing the SAN Volume Controller 2145-CG8 or 2145-CF8 cable-retention brackets” on page 39.
12. Turn on the node.

### Replacing the SAN Volume Controller 2145-8A4 Fibre Channel adapter assembly

Before you can replace the Fibre Channel adapter assembly, it must be installed in the riser-card assembly.

Perform the following steps to replace the SAN Volume Controller 2145-8A4 Fibre Channel adapter assembly:

1. Remove the SFP transceivers if they are in the new Fibre Channel adapter assembly. To do this, unclip the release handle and then use the handle to pull out each SFP transceiver.
2. Slide the Fibre Channel adapter into position, keeping it close and parallel to the back edge of the riser card. Push the adapter securely into the connector. Ensure that the positioning clip on the adapter goes into the locating hole on the riser card, as shown in Figure 183.

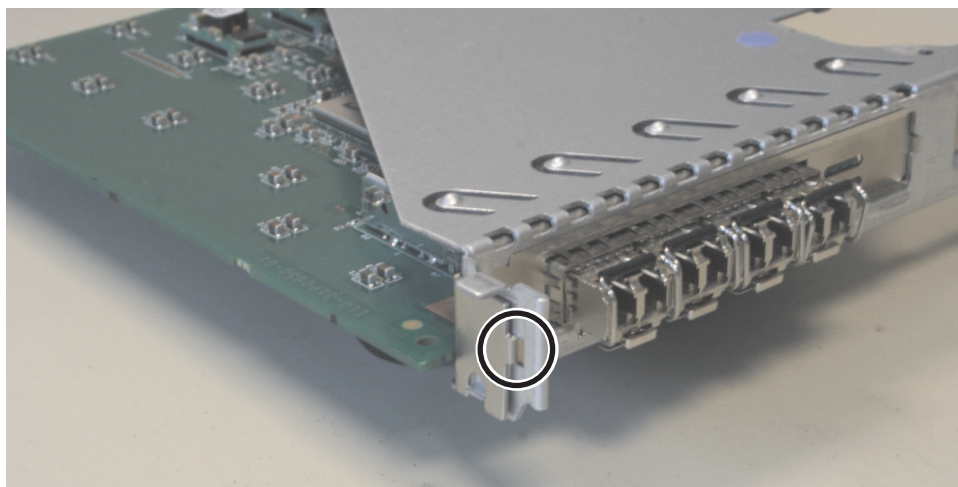


Figure 183. SAN Volume Controller 2145-8A4 riser-card assembly

3. Replace the SFP transceivers in the Fibre Channel adapter assembly.
4. Carefully align the riser-card assembly with the guides on the rear of the node and with the riser-card connectors on the system board. Press down on the assembly and make sure that the riser-card assembly is fully seated in the riser-card connectors on the system board.
5. Replace the top cover. See “Replacing the top cover” on page 81.
6. Place the node in the rack. See “Replacing the SAN Volume Controller in a rack” on page 55.
7. Replace the cables that were removed from the node, and make sure that you replace the Fibre Channel cables in the same ports from which they were removed.
8. Replace the cable-retention bracket. See “Replacing the cable-retention bracket” on page 39.

## Replacing the SAN Volume Controller 2145-8G4 Fibre Channel adapter assembly

Perform the following steps to replace the SAN Volume Controller 2145-8G4 Fibre Channel adapter assembly:

1. As you start inserting the adapter, align the edge connector on the low-profile adapter **1** with the connector **3** on the riser-card assembly **4**. Make sure that the adapter snaps into the riser-card securely. Press the riser-card edge connector firmly into the system-board connector **5**, as shown in Figure 184.

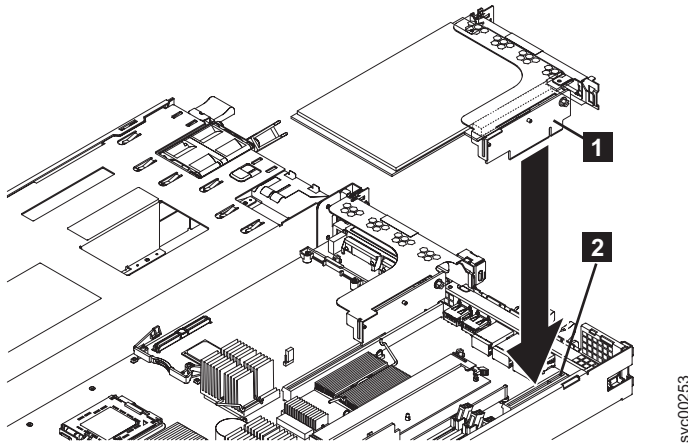


Figure 184. Replacing the riser-card assembly for the SAN Volume Controller 2145-8G4

- 1** Fibre Channel adapter
- 2** Adapter support bracket
- 3** Riser-card-adapter connector
- 4** Riser-card assembly
- 5** System-board-riser-card connector

2. Replace the top cover. See “Replacing the top cover” on page 81.
3. Place the node in the rack. See “Replacing the SAN Volume Controller in a rack” on page 55.
4. Replace the cables that were removed from the node, and make sure that you replace the Fibre Channel cables in the same ports from which they were removed.
5. Replace the cable-retention bracket. See “Replacing the cable-retention bracket” on page 39.

## Replacing the SAN Volume Controller 2145-8F4 or SAN Volume Controller 2145-8F2 adapter assemblies

Perform the following steps to install the Fibre Channel card into the riser-card assembly:

**Note:** The adapter assemblies are electrostatic-discharge sensitive. Take precautions to avoid damage from static electricity. Wear an anti-static wrist strap and use a static-protected mat or surface. For more information, see “Handling static-sensitive devices” on page xx.

1. Install the Fibre Channel card in slot 1, which is shown in Figure 185 on page 189.

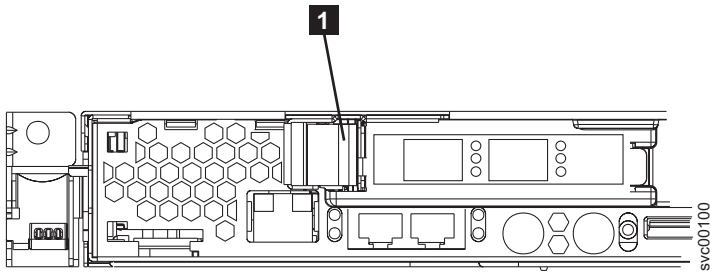


Figure 185. SAN Volume Controller 2145-8F2 or SAN Volume Controller 2145-8F4 PCI slot 1 card retainer

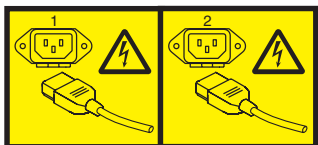
- a. Slide the I/O connector portion of the adapter through the slot 1 opening and align the edge connector on the low-profile adapter with the connector on the riser card. Press the edge connector firmly into the riser-card connector. Make sure that the adapter snaps into the riser card securely and the adapter is lying on top of the low-profile adapter support.
  - b. Push the adapter down past the tab so that the adapter snaps into place on the support.
  - c. Check the retention latches on the riser card and make sure that they are still securely in place.
  - d. Close the Fibre Channel card retainer to secure the card.
2. Install the Fibre Channel card in slot 2.
    - a. Align the edge connector on the Fibre Channel adapter with the connector on the riser card. Press the edge connector firmly into the riser-card connector. The card is fully installed when the gold connectors on the edge of the Fibre Channel cards are no longer visible.
    - b. Grasp the riser card assembly by its top edge or upper corners and align the riser card with the guides for the riser-card connector.
    - c. Press the riser card edge connector firmly into the slot 2 riser-card edge connector on the system board. Make sure that the retention latches snap into place to secure the riser card into the slot 2 riser-card connector.
  3. Replace the top cover. See “Replacing the top cover” on page 81.
  4. Place the node in the rack. See “Replacing the SAN Volume Controller in a rack” on page 55.

## Removing and replacing an Ethernet SFP transceiver

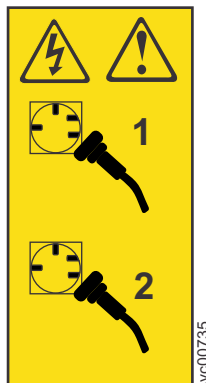
When a failure occurs on a single 10 gigabits per second (Gbps) Ethernet link, the small form-factor pluggable (SFP) transceiver might need to be replaced.

### DANGER

**Multiple power cords. The product might be equipped with multiple power cords. To remove all hazardous voltages, disconnect all power cords. (L003)**



or



or



Figure 186 shows the connectors on the rear of the SAN Volume Controller 2145-CG8:

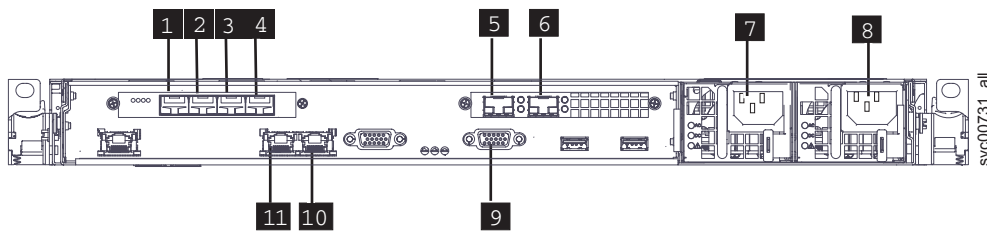


Figure 186. Connectors on the rear of the SAN Volume Controller 2145-CG8

- 1 Fibre Channel port 1
- 2 Fibre Channel port 2
- 3 Fibre Channel port 3
- 4 Fibre Channel port 4
- 5 10 Gbps Ethernet port 1
- 6 10 Gbps Ethernet port 2
- 7 Power connector 1
- 8 Power connector 2
- 9 Serial port for UPS communications (RS232)
- 10 1 Gbps Ethernet port 2
- 11 1 Gbps Ethernet port 1

This service action requires you to:

- Turn the node off.
- Disconnect the power cables.
- Disconnect the data cables.

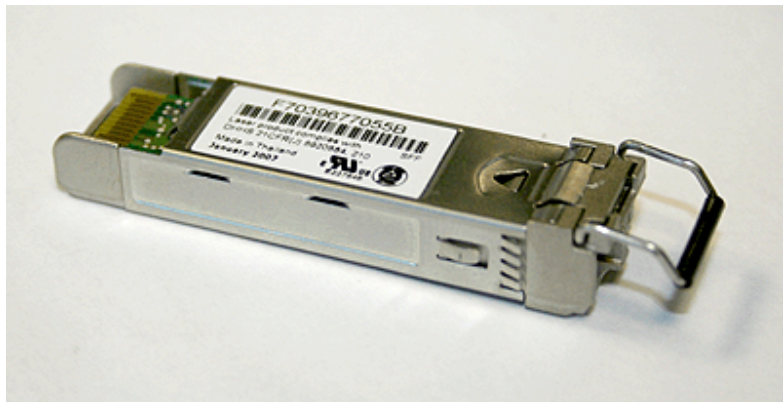
Perform the following steps to remove and then replace an SFP transceiver:

1. Carefully determine which of the two 10 Gbps Ethernet ports is failing.
2. Read the safety information to which “Preparing to remove and replace parts” on page 26 refers.
3. Turn off the node while ensuring that its data is mirrored and synchronized. See MAP 5350 in the *IBM System Storage SAN Volume Controller Troubleshooting Guide* for more information. You power off the node because the serial cable has to be removed to give access to the SFP transceivers.
4. Remove the fiber-optic cable from the port that has the problem by pressing its release tab and pulling the cable out. Be careful to exert pressure only on the connector and do not pull on the fiber-optic cable. If necessary, remove the serial cable to get access to the SFP transceiver. If the serial cable is removed, remember to replace it.
5. Remove the SFP transceiver from the port that has the problem.  
Locate the release handle that is incorporated into the SFP transceiver, unclip the handle, and then use the handle to pull out the SFP transceiver.  
Some SFP transceivers might have a plastic tag. If so, pull the tag to remove the SFP transceiver.

**Important:** The customer might be using a non-standard SFP transceiver. If so, the customer should alert you as to the SFP transceiver to use, and provide the SFP transceiver to you. Always check that the SFP transceiver that you replace matches the SFP transceiver that you remove.

6. Push the new SFP transceiver into the aperture. Gently push the SFP transceiver until it is fully inserted; then swing the release handle over to lock it in place.

Figure 187 illustrates an SFP transceiver and its release handle.



svc00418

Figure 187. SFP transceiver

7. Replace the fiber-optic cable that was removed by gently pushing into the SFP transceiver until it clicks into place. Then replace the serial cable and secure it in place.
8. Power on the node by using the front panel power button.
9. Confirm that the error is now fixed. Check the SAN port status using the front-panel display. If possible, check the status given by the Ethernet monitoring tools of the customer. Either mark the error as fixed or restart the node depending on the failure indication that you originally noted.

## Removing the 10 Gbps Ethernet riser-card assembly

An authorized IBM service provider can remove the 10 Gbps Ethernet riser-card assembly.

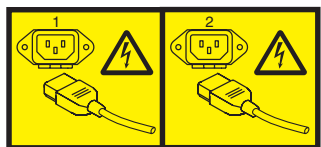
Take precautions to avoid damage from static electricity. Wear an anti-static wrist strap and use a static-protected mat or surface. For more information, see “Handling static-sensitive devices” on page xx.

## Removing the SAN Volume Controller 2145-CG8 10 Gbps Ethernet riser-card assembly

An authorized IBM service provider can remove the 10 gigabits per second (Gbps) Ethernet riser-card assembly from the SAN Volume Controller 2145-CG8 node.

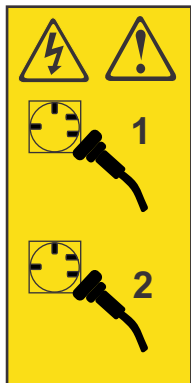
### DANGER

Multiple power cords. The product might be equipped with multiple power cords. To remove all hazardous voltages, disconnect all power cords. (L003)



svc00322

or



svc00735

or



svc00734

Figure 188 shows the connectors on the rear of the SAN Volume Controller 2145-CG8:

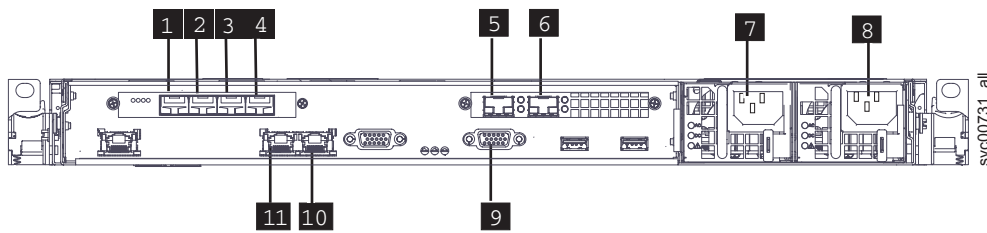


Figure 188. Connectors on the rear of the SAN Volume Controller 2145-CG8

- 1** Fibre Channel port 1
- 2** Fibre Channel port 2
- 3** Fibre Channel port 3
- 4** Fibre Channel port 4
- 5** 10 Gbps Ethernet port 1
- 6** 10 Gbps Ethernet port 2
- 7** Power connector 1
- 8** Power connector 2
- 9** Serial port for UPS communications (RS232)
- 10** 1 Gbps Ethernet port 2
- 11** 1 Gbps Ethernet port 1

This service action requires you to remove the cover and:

- Turn the node off.
- Disconnect the power cables.
- Disconnect the data cables.

To remove the SAN Volume Controller 2145-CG8 10 Gbps Ethernet riser-card assembly, perform the following steps:

1. Read the safety information to which “Preparing to remove and replace parts” on page 26 refers.
2. Perform the procedure to remove the top cover, performing the optional steps to turn off the node and remove the node from the rack, if it is easier to work on the node that way, as described in “Removing the top cover” on page 77.

As you label and remove all cables after turning off the node in the “Removing the top cover” on page 77 procedure, be sure to remove the serial cable from the UPS that attaches to the serial port on the back of the node before you attempt to remove the fiber optic cable (and the Ethernet small form-factor pluggable (SFP) transceiver) from Ethernet port 1 in the 10 Gbps Ethernet riser-card assembly.

Remove the two fiber optic cables from the 10 Gbps Ethernet riser-card assembly by pressing their release tabs and pulling each cable out. Be careful to exert pressure only on the connectors and do not pull on the fiber optic cables.

3. Remove both Ethernet SFP transceivers, as described in “Removing and replacing an Ethernet SFP transceiver” on page 189 before removing the Ethernet riser-card assembly.
4. Remove the two M3 screws that attach the Ethernet riser-card assembly to the back rail.

The 10 Gbps Ethernet riser-card assembly attaches to the back rail with two screws, as shown in the partial view of the rail with the 10 Gbps Ethernet riser-card assembly attached in Figure 189 on page 193.

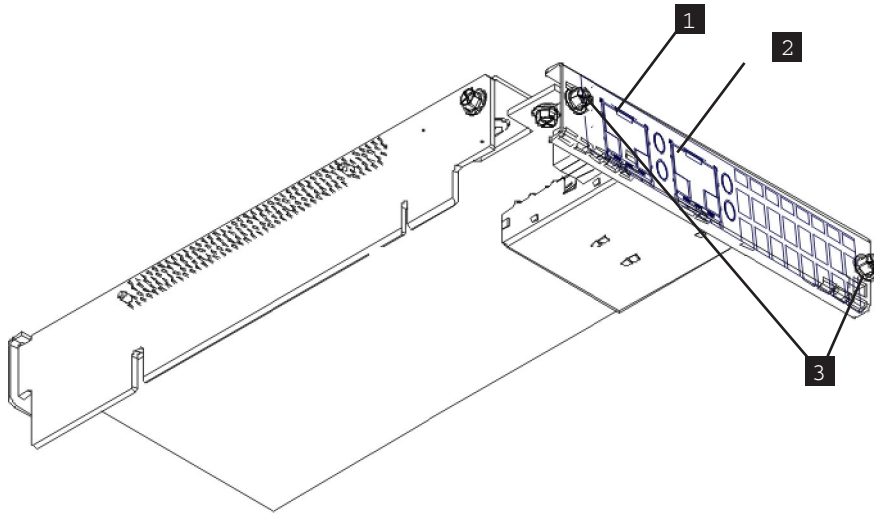


Figure 189. SAN Volume Controller 2145-CG8 10 Gbps Ethernet riser-card assembly with cutaway view of back rail

- 1** 10 Gbps Ethernet port 1
- 2** 10 Gbps Ethernet port 2
- 3** Back-rail retaining screws

5. After removing the back-rail retaining screws for the Ethernet riser-card assembly, grasp the Ethernet riser-card assembly at either end and pull up out of the PCI slot 2 riser-card connector, as shown in Figure 190. Once the Ethernet riser-card assembly clears the connector, gently twist the Ethernet riser-card assembly to separate the Ethernet riser-card assembly from the node.

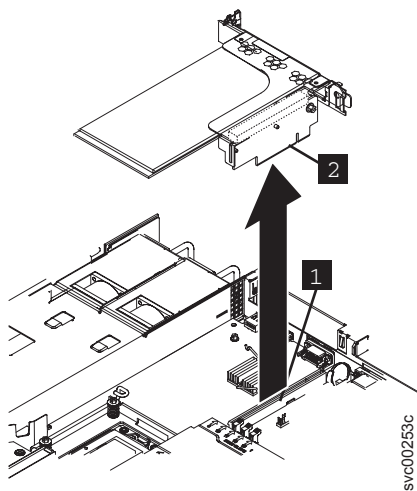


Figure 190. Removing the 10 Gbps Ethernet riser-card assembly

- 1** PCI slot 2 riser-card connector
- 2** 10 Gbps Ethernet riser-card assembly

When looking from the back, the PCI slot 1 connector is the connector on the left. The 10 Gbps Ethernet riser-card assembly attaches to the PCI slot 2 connector on the right side of the system board, when looking from the back.

If there is no 10 Gbps Ethernet riser-card assembly in PCI slot 2, either a high-speed SAS riser-card adapter assembly or an empty riser-card must be installed before turning on the node.

- 6. If you are not replacing the 10 Gbps Ethernet riser-card assembly, be sure to install one of these other two cards that must be used in the PCI slot 2 connector. If you do not have a riser card, you can disassemble the 10 Gbps Ethernet riser-card assembly to use the riser card from the assembly.
- 7. Place the Ethernet riser-card assembly on a flat, static-protective surface.
- 8. If you are instructed to return the 10 Gbps Ethernet riser-card assembly, follow all packaging instructions, and use any packaging materials for shipping that are supplied to you.

## Replacing the 10 Gbps Ethernet riser-card assembly

An IBM authorized service provider can replace the 10 Gbps Ethernet riser-card assembly.

Take precautions to avoid damage from static electricity. Wear an anti-static wrist strap and use a static-protected mat or surface. For more information, see "Handling static-sensitive devices" on page xx.

## Replacing the 2145-CG8 10 Gbps Ethernet riser-card assembly

An authorized IBM service provider can replace the 10 gigabits per second (Gbps) Ethernet riser-card assembly into the SAN Volume Controller 2145-CG8 node.

### DANGER

**Multiple power cords. The product might be equipped with multiple power cords. To remove all hazardous voltages, disconnect all power cords. (L003)**

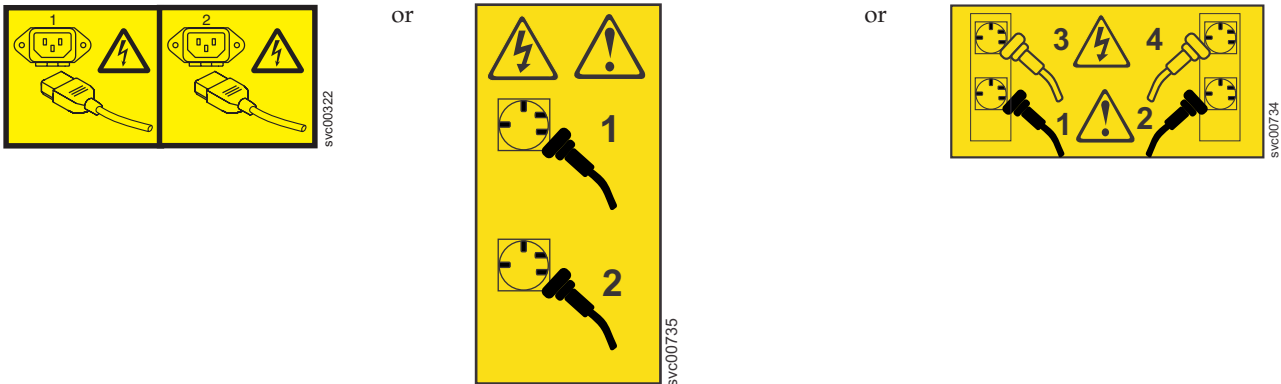


Figure 191 shows the connectors on the rear of the SAN Volume Controller 2145-CG8:

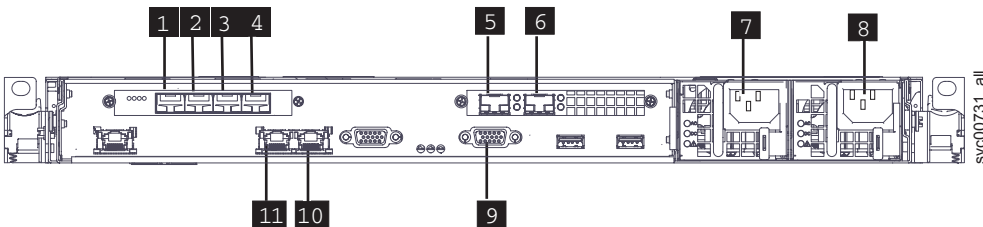


Figure 191. Connectors on the rear of the SAN Volume Controller 2145-CG8

- 1 Fibre Channel port 1
- 2 Fibre Channel port 2
- 3 Fibre Channel port 3
- 4 Fibre Channel port 4
- 5 10 Gbps Ethernet port 1



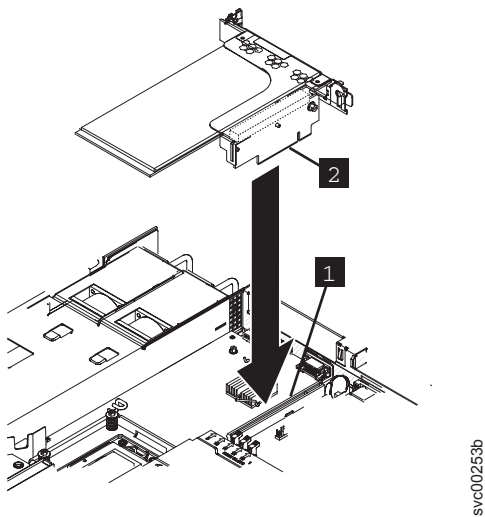
- | **6** 10 Gbps Ethernet port 2
- | **7** Power connector 1
- | **8** Power connector 2
- | **9** Serial port for UPS communications (RS232)
- | **10** 1 Gbps Ethernet port 2
- | **11** 1 Gbps Ethernet port 1

| This service action assumes that you have removed the top cover and that:

- | • The node is off.
- | • The power cables are disconnected.
- | • The data cables are disconnected.

| To replace the SAN Volume Controller 2145-CG8 10 Gbps Ethernet riser-card assembly, perform the following steps:

- | 1. If present, remove both Ethernet small form-factor pluggable (SFP) transceivers before replacing the Ethernet riser-card assembly, as described in “Removing and replacing an Ethernet SFP transceiver” on page 189.
- | 2. Grasp each end of the Ethernet riser-card assembly, tilt the Ethernet riser-card assembly so that the side with the PCI riser card is higher than the opposite side, and the back is higher than the front.
- | 3. Locate the cage that houses the Ethernet SFP transceivers through the hole in the back of the node.
- | 4. Align the 10 Gbps Ethernet riser-card assembly connector with the PCI slot 2 connector on the system board, as shown in Figure 192.



| *Figure 192. Replacing the 10 Gbps Ethernet riser-card assembly for the SAN Volume Controller 2145-CG8*

- | **1** PCI slot 2 riser-card connector
- | **2** 10 Gbps Ethernet riser-card assembly

| When looking from the back, the PCI slot 1 connector is the connector on the left. The 10 Gbps Ethernet riser-card assembly attaches to the PCI slot 2 connector on the right side of the system board, when looking from the back.

- | 5. Press down on the top of the Ethernet riser-card assembly until the card settles in the slot.
- | 6. Anchor the Ethernet riser-card assembly using two fastening screws from the back of the node, as shown in the cutaway view of a section of the rail in Figure 193 on page 196.

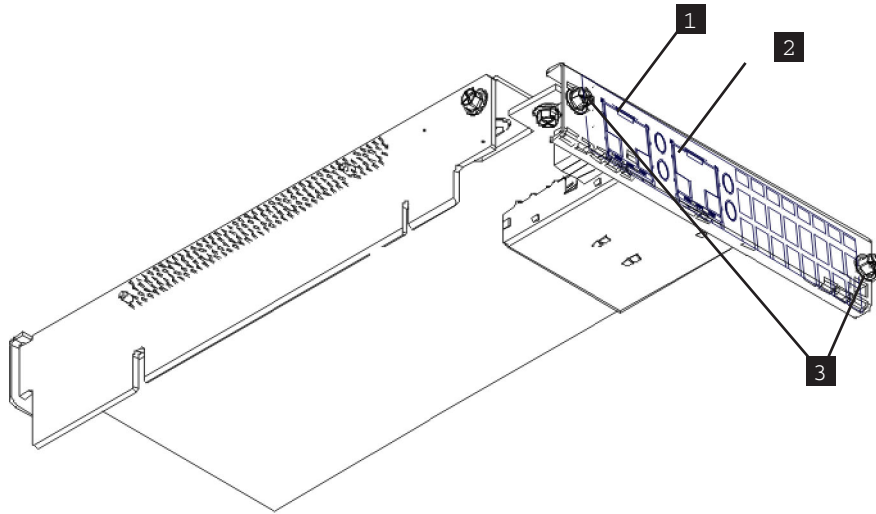


Figure 193. SAN Volume Controller 2145-CG8 10 Gbps Ethernet riser-card assembly with cutaway view of back rail

- 1** 10 Gbps Ethernet port 1
- 2** 10 Gbps Ethernet port 2
- 3** Back-rail retaining screws

7. Install both SFP transceivers into the Ethernet riser-card assembly, as described in “Removing and replacing an Ethernet SFP transceiver” on page 189.
8. If you did not do so as part of the procedure for replacing the Ethernet SFP transceivers, make sure that all cables, adapters, and other components are installed and seated correctly and that you have not left loose tools or parts inside the node. Make sure that all internal cables are correctly routed.
9. If you did not do so as part of the procedure for replacing the Ethernet SFP transceivers, replace the top cover, following the procedure in “Replacing the top cover” on page 81 and being careful to reattach the fiber optic cable to Ethernet port 1 before replacing the serial cable connecting the node to the UPS.

After following the procedure to replace the top cover, the node is installed in the rack, all cables are reconnected, and the node is turned on.

## Removing the high-speed SAS adapter

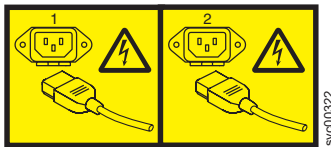
You can remove the high-speed adapter assembly in the SAN Volume Controller 2145-CF8.

## Removing the SAN Volume Controller 2145-CG8 or 2145-CF8 high-speed SAS adapter assembly

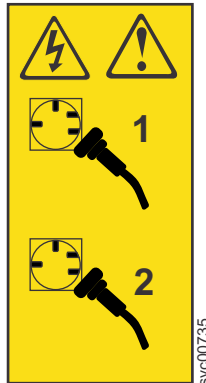
You can remove the SAN Volume Controller 2145-CG8 or 2145-CF8 high-speed SAS adapter assembly.

### DANGER

Multiple power cords. The product might be equipped with multiple power cords. To remove all hazardous voltages, disconnect all power cords. (L003)



or



or



This service action requires you to remove the cover and:

- Turn the node off.
- Disconnect the power cables.
- Disconnect the data cables.

To remove the SAN Volume Controller 2145-CG8 or 2145-CF8 high-speed SAS adapter assembly, perform the following steps:

1. Read the safety information to which “Preparing to remove and replace parts” on page 26 refers.
2. Follow the procedure in MAP 5350 in the *IBM System Storage SAN Volume Controller Troubleshooting Guide* to verify that the node data is mirrored and synchronized, and that there are no dependent volumes before turning off the node.

3. Slide the node out on its slide rails to the fully extended position.

You can perform most service actions when the node is fully extended from the rack on its slide rails. You can leave the Fibre Channel and Ethernet cables connected, if you are using the cable-management arm and if you are not removing the node from the rack. If the location of the node in the rack is too high or too low to work comfortably, you can remove the node from the rack.

4. When the node is completely turned off, remove the cable-retention brackets and disconnect the power cables, as described in “Removing the cable-retention bracket” on page 34.
5. To make sure that you can replace all cables in the same ports from which they were removed, label the port position of each Fibre Channel and Ethernet cable; then remove all cables from the back of the node.
6. Optional: Remove the node from the rack and place it on a flat, static-protective surface. See “Removing the SAN Volume Controller from a rack” on page 46.
7. Remove the top cover. See “Removing the top cover” on page 77.
8. Remove the two M3 screws that attach the adapter assembly to the back rail.

The high-speed SAS adapter assembly and the Fibre Channel adapter assembly each attach to the back rail with two screws, as shown in the partial view of the rail with the high-speed SAS adapter assembly attached in Figure 194 on page 198.

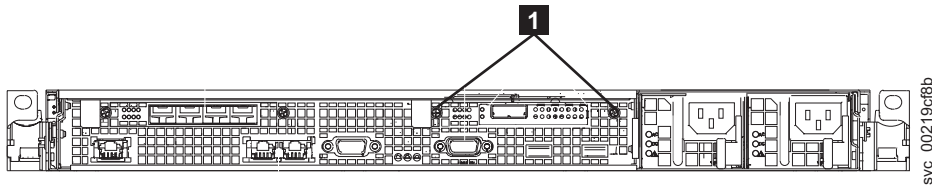


Figure 194. High-speed SAS adapter assembly mounted in the back rail of the SAN Volume Controller 2145-CG8 or 2145-CF8

9. After removing the back-rail retaining screws for the adapter assembly, grasp the riser-card assembly at the rear edge and lift to remove the assembly, as shown in Figure 195.

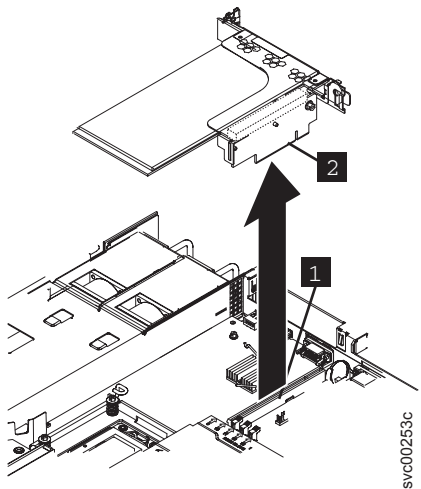


Figure 195. Removing the high-speed SAS riser-card assembly for the SAN Volume Controller 2145-CG8 or 2145-CF8

10. Grasp the high-speed SAS adapter riser-card assembly by its top edge or upper corners and pull the card up out of the slot 2 riser-card connector.  
When looking from the back, the slot 2 connector is the connector on the right. The 4-port Fibre Channel adapter attaches to the slot 1 connector on the left side of the system board, when looking from the back.
11. Remove the high-speed SAS adapter cable from the adapter.
12. Place the high-speed SAS adapter riser-card assembly on a flat, static-protective surface.
13. If you are instructed to return the high-speed SAS adapter riser-card assembly, follow all packaging instructions, and use any packaging materials for shipping that are supplied to you.

## Replacing the high-speed SAS adapter

You can replace the high-speed SAS adapter in the SAN Volume Controller 2145-CF8.

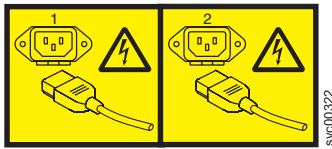
## Replacing the SAN Volume Controller 2145-CG8 or 2145-CF8 high-speed SAS adapter assembly

You can replace a high-speed SAS adapter that was installed and configured, but then removed.

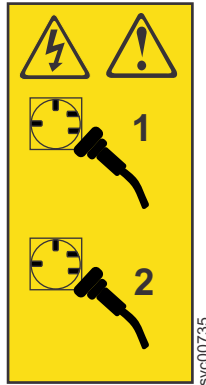
If you are installing a high-speed SAS adapter assembly and one or more solid-state drives (SSDs), use the instructions that come with each MES upgrade to install and configure the high-speed SAS adapter and each solid-state drive (SSD).

## DANGER

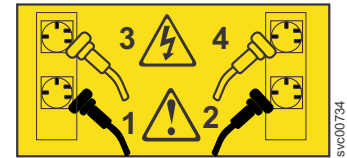
Multiple power cords. The product might be equipped with multiple power cords. To remove all hazardous voltages, disconnect all power cords. (L003)



or



or



Perform the following steps to replace the SAN Volume Controller high-speed SAS adapter assembly, after removing an adapter that was already configured:

1. Read the safety information to which “Preparing to remove and replace parts” on page 26 refers.
2. Attach the high-speed SAS cable to the connector on the bottom of the high-speed SAS adapter, as described in “Replacing the SAN Volume Controller 2145-CG8 or 2145-CF8 high-speed SAS cable” on page 204.

Attach the cable so that the end with the label is to the front of the node and the end without the label attaches to the adapter.

3. Insert the adapter into the riser card, then insert the assembly into the slot 2 connector on the system board.

As you start inserting the adapter, align the edge connector on the low-profile adapter with the connector on the riser-card assembly. Make sure that the adapter snaps into the riser-card securely.

Then press the riser-card edge connector **2** firmly into the system-board slot 2 connector **1**, as shown in Figure 196 on page 200.

When viewed from the back of the node, the slot 1 connector is on the left and contains the Fibre Channel adapter assembly. The slot 2 connector is on the right when viewed from the back of the node.

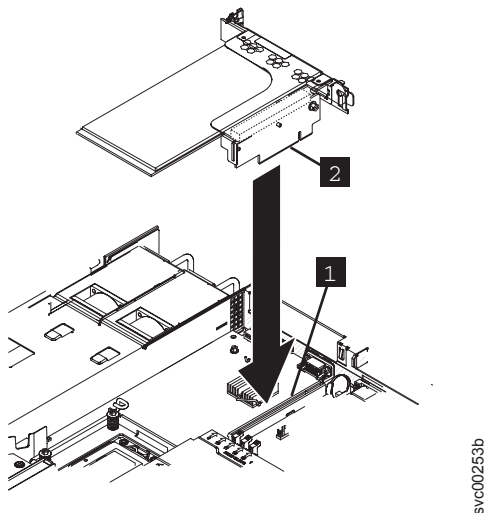


Figure 196. Replacing the high-speed SAS riser-card assembly for the SAN Volume Controller 2145-CG8 or 2145-CF8

- 1** Slot 2 connector
- 2** High-speed SAS adapter

4. Grasp the high-speed SAS adapter assembly to steady it while you align and attach the adapter assembly to the back rail with the two M3 screws that were removed during the removal of the adapter.

The high-speed SAS adapter assembly and the Fibre Channel adapter assembly each attach to the back rail with two screws ( **1** ), as shown in the view of the rail with the high-speed SAS adapter assembly attached in Figure 197.

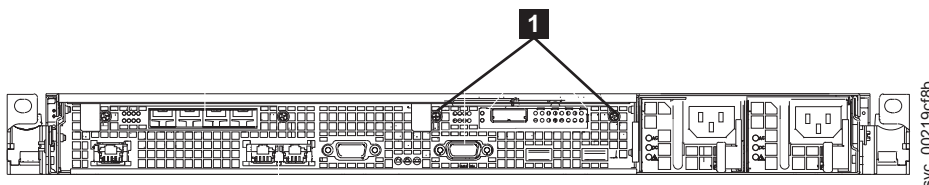


Figure 197. High-speed SAS adapter assembly mounted in the back rail of the SAN Volume Controller 2145-CG8 or 2145-CF8

5. Make sure that all cables, adapters, and other components are installed and seated correctly and that you have not left loose tools or parts inside the node. Make sure that all internal cables are correctly routed. If you disconnected the Fibre Channel and Ethernet cables, make sure that each cable is reconnected to the same port from which it was removed.
6. Replace the top cover. See “Replacing the top cover” on page 81.  
After following the procedure to replace the top cover, the node is installed in the rack and is turned on.

## Removing the high-speed SAS adapter, the adapter cable, and the solid-state drive (SSD)

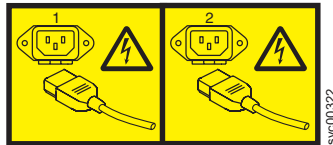
You can remove the high-speed adapter assembly, the adapter cable, and the serial attached SCSI (SAS) solid-state drives (SSDs) in the SAN Volume Controller 2145-CF8.

## Removing the SAN Volume Controller 2145-CG8 or 2145-CF8 high-speed SAS cable

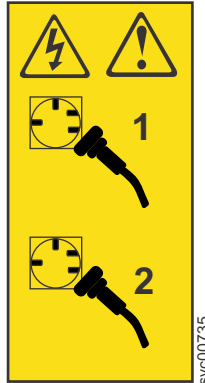
You can remove the SAN Volume Controller 2145-CG8 or 2145-CF8 high-speed SAS cable.

### DANGER

Multiple power cords. The product might be equipped with multiple power cords. To remove all hazardous voltages, disconnect all power cords. (L003)



or



or



This service action requires you to remove the cover and:

- Turn the node off.
- Disconnect the power cables.
- Disconnect the data cables.

To remove the SAN Volume Controller 2145-CG8 or 2145-CF8 high-speed SAS adapter cable, perform the following steps :

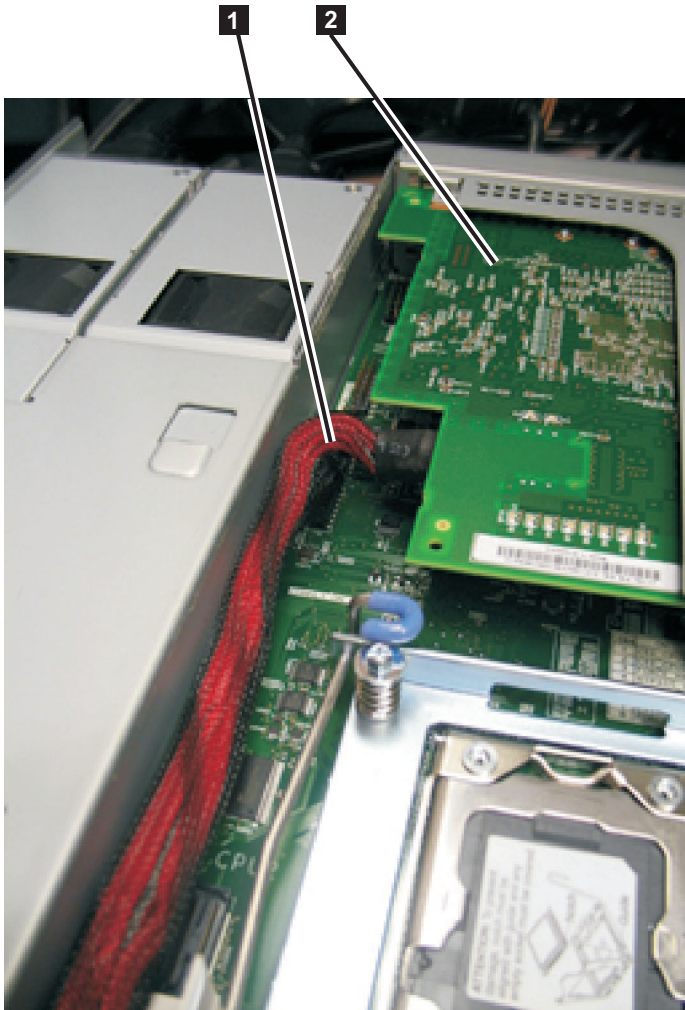
1. Read the safety information to which “Preparing to remove and replace parts” on page 26 refers.
2. Follow the procedure in MAP 5350 in the *IBM System Storage SAN Volume Controller Troubleshooting Guide* to verify that the node data is mirrored and synchronized, and that there are no dependent volumes before turning off the node.
3. Slide the node out on its slide rails to the fully extended position.
4. When the node is completely turned off, remove the cable-retention brackets and disconnect the power cables, as described in “Removing the cable-retention bracket” on page 34.
5. To make sure that you can replace all cables in the same ports from which they were removed, label the port position of each Fibre Channel and Ethernet cable; then remove all cables from the back of the node.

6. Optional: Remove the node from the rack and place it on a flat, static-protective surface. See “Removing the SAN Volume Controller from a rack” on page 46.

You can perform most service actions when the node is fully extended from the rack on its slide rails. If the location of the node in the rack is too high or too low to work comfortably, you can remove the node from the rack.

7. Remove the top cover. See “Removing the top cover” on page 77.
8. Remove the high-speed SAS adapter from the slot 2 riser-card connector at the rear of the system board, as described in “Removing the SAN Volume Controller 2145-CG8 or 2145-CF8 high-speed SAS adapter assembly” on page 197.

The high-speed SAS cable is shown in Figure 198 on page 202.



| *Figure 198. High-speed SAS adapter assembly and high-speed SAS cable in the SAN Volume Controller 2145-CG8 or*  
| *2145-CF8*

- 1** High-speed SAS cable plugged into the high-speed SAS adapter assembly
- 2** High-speed SAS adapter assembly

9. Disconnect the high-speed SAS cable from the high-speed SAS adapter.

- | 10. Remove the cable from the blue bulkhead clip behind the disk backplane, as shown in Figure 199 on  
| page 203.  
|



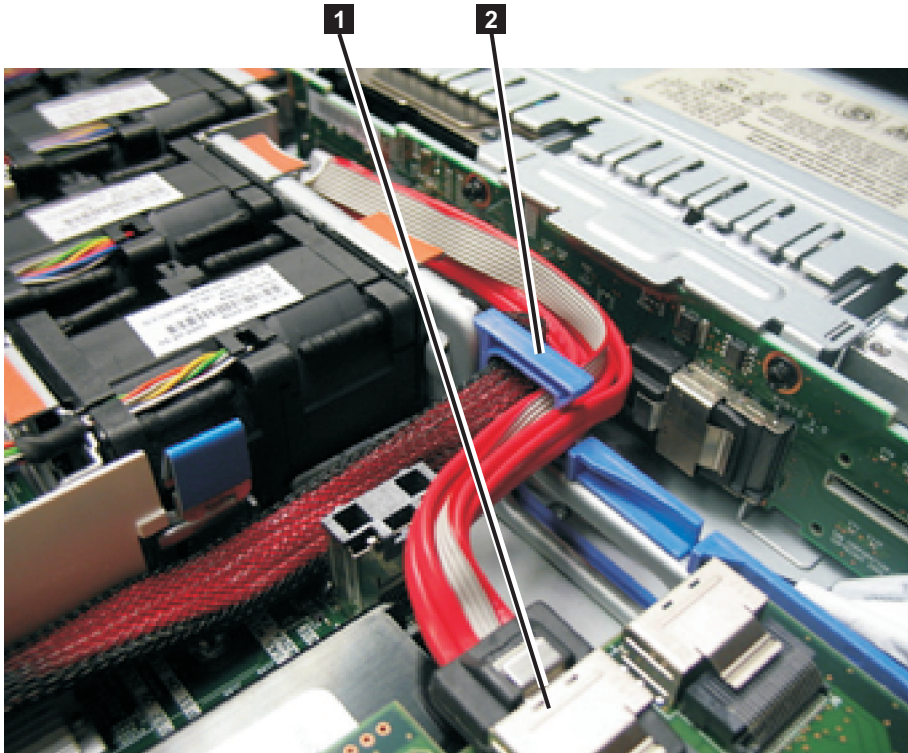


Figure 199. Boot-disk SAS cable routed through the blue bulkhead clip and connected to the SAS disk controller in the SAN Volume Controller 2145-CG8 or 2145-CF8

**1** Boot-disk SAS cable that is plugged into the disk-controller-and-USB-riser-card assembly

**2** Blue bulkhead clip with the high-speed SAS-adapter cable and the boot-disk SAS cable

Remove the boot-disk SAS cable from the blue bulkhead clip if necessary, before removing the high-speed SAS adapter cable from the clip.

11. Disconnect the high-speed SAS cable from the SAS connector in the center of the back of the disk backplane, as shown in Figure 200 on page 204.

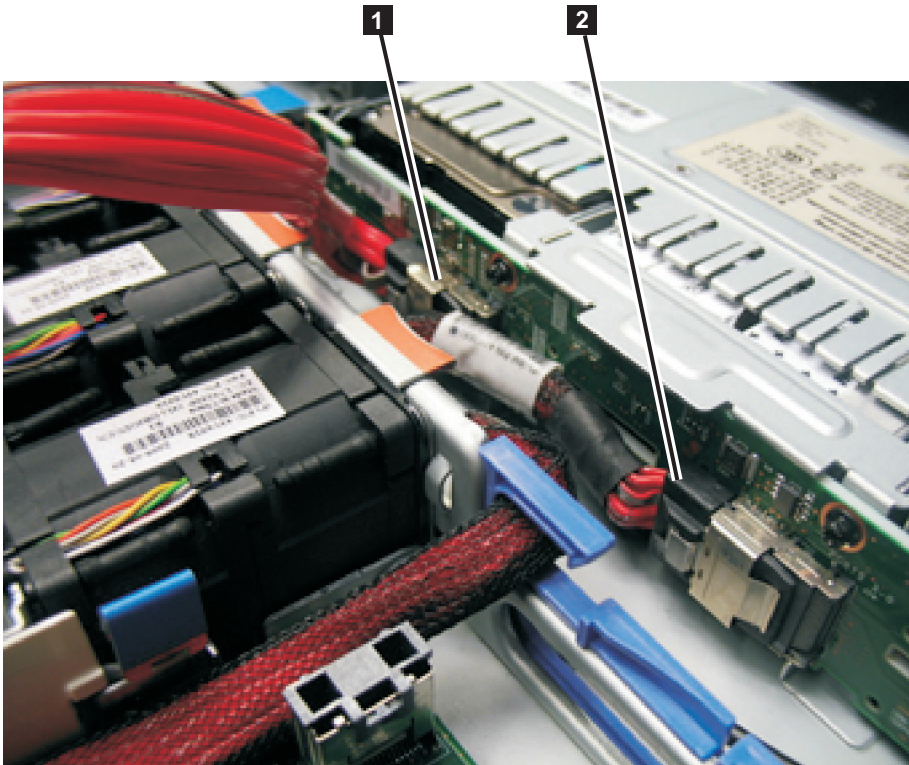


Figure 200. Boot-disk SAS cable and the high-speed SAS cable connected to the disk backplane in the SAN Volume Controller 2145-CG8 or 2145-CF8

**1** Boot-disk SAS cable that is plugged into the disk-drive backplane to support drive bay 4

**2** High-speed SAS-adapter cable that is plugged into the middle of the backplane to support drive bays 0, 1, 2, and 3

12. Remove the cable from the SAN Volume Controller 2145-CG8 or 2145-CF8.

## Replacing the high-speed SAS adapter, the adapter cable, and the solid-state drive (SSD)

You can replace the high-speed SAS adapter, the adapter cable, and the serial attached SCSI (SAS) solid-state drives (SSDs) in the SAN Volume Controller 2145-CF8.

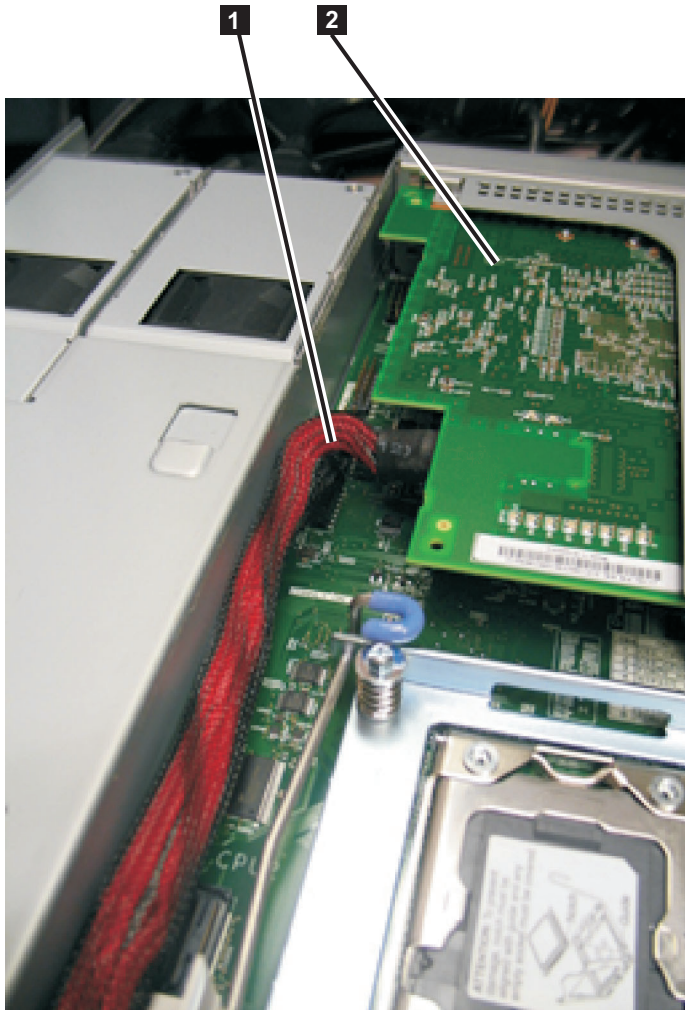
### Replacing the SAN Volume Controller 2145-CG8 or 2145-CF8 high-speed SAS cable

You can replace the SAN Volume Controller 2145-CG8 or 2145-CF8 high-speed SAS cable.

Perform the following steps to replace the SAN Volume Controller 2145-CG8 or 2145-CF8 high-speed SAS cable:

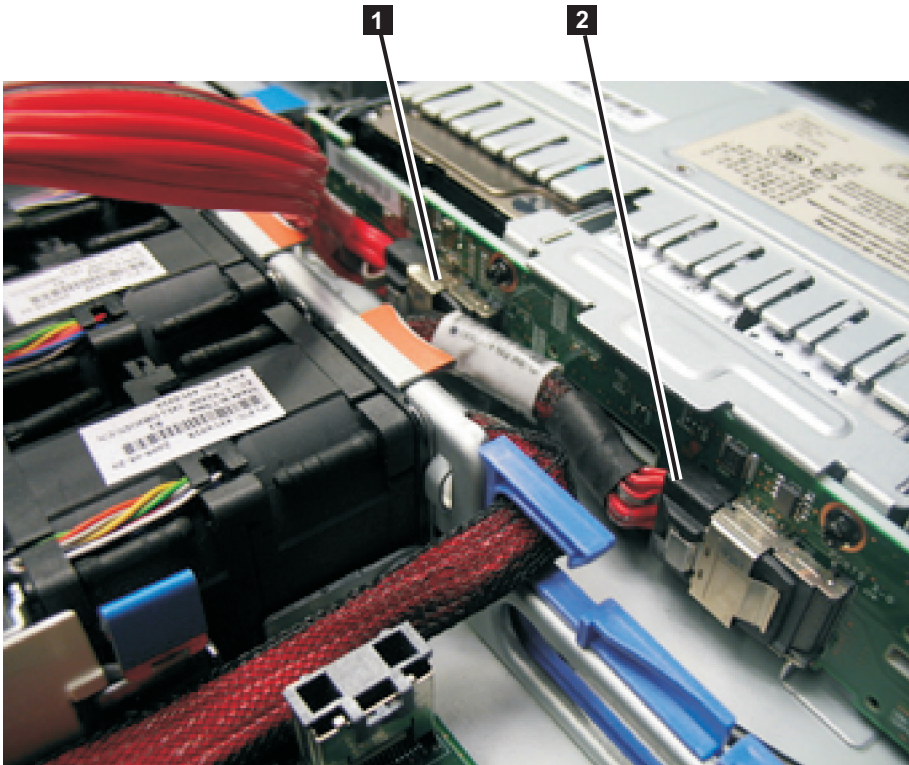
1. Remove the high-speed SAS adapter from the slot 2 riser-card connector at the rear of the system board, as described in "Removing the SAN Volume Controller 2145-CG8 or 2145-CF8 high-speed SAS adapter assembly" on page 197.

The high-speed SAS cable is shown in Figure 201 on page 205.



| *Figure 201. High-speed SAS adapter assembly and high-speed SAS cable in the SAN Volume Controller 2145-CG8 or*  
 | *2145-CF8*

- 1** High-speed SAS cable plugged into the high-speed SAS adapter assembly
  - 2** High-speed SAS adapter assembly
- 2. Attach the high-speed SAS cable to the high-speed SAS adapter.  
 Attach the cable so that the end with the label is to the front of the node and the end without the label attaches to the adapter.
- | 3. Replace the high-speed SAS adapter card, as described in “Replacing the SAN Volume Controller  
 | 2145-CG8 or 2145-CF8 high-speed SAS adapter assembly” on page 198.
- 4. Disconnect the boot-disk SAS cable from the disk controller and move it out of the blue bulkhead clip.
- 5. Route the cable from the high-speed SAS adapter through the blue bulkhead clip behind the drive backplane.
- 6. Attach the high-speed SAS cable to the SAS connector in the center of the back of the SAS drive back plane. Use the connector that connects to drive bays 0, 1, 2, and 3.
- | The high-speed SAS cable is shown in Figure 202 on page 206.



| *Figure 202. Boot-disk SAS cable and the high-speed SAS cable connected to the disk backplane in the SAN Volume Controller 2145-CG8 or 2145-CF8*

- 1 Boot-disk SAS cable that is plugged into the disk-drive backplane to support drive bay 4
- 2 High-speed SAS-adapter cable that is plugged into the middle of the backplane to support drive bays 0, 1, 2, and 3

7. Reroute the boot-disk SAS cable through the blue bulkhead clip and reconnect the cable to the disk controller.

| The high-speed SAS cable is shown in Figure 203 on page 207.

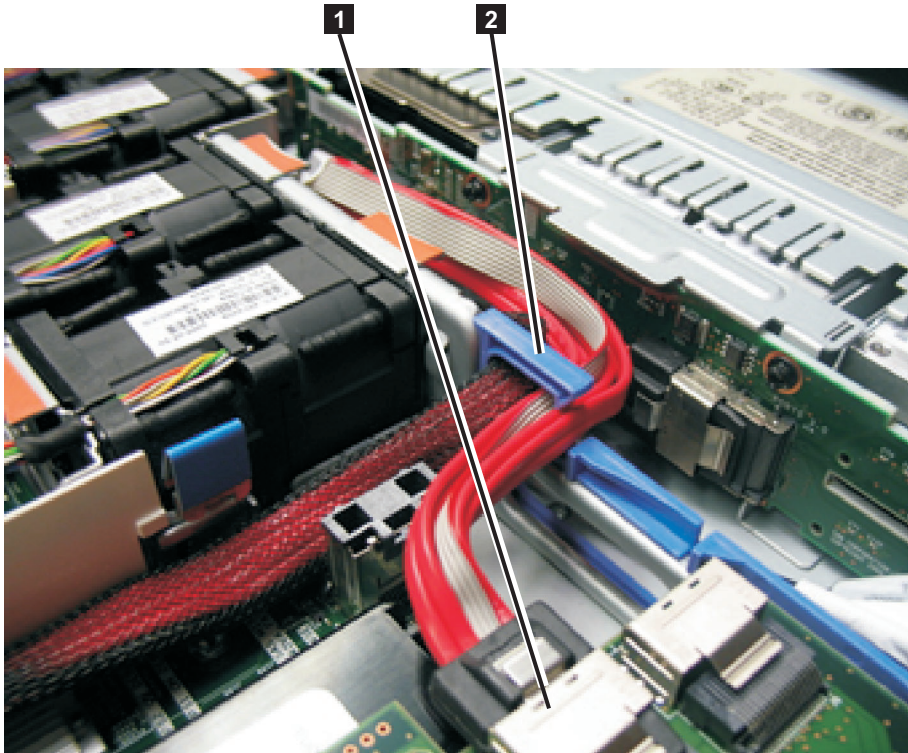


Figure 203. Boot-disk SAS cable routed through the blue bulkhead clip and connected to the SAS disk controller in the SAN Volume Controller 2145-CG8 or 2145-CF8

- 1 Boot-disk SAS cable that is plugged into the disk-controller-and-USB-riser-card assembly
- 2 Blue bulkhead clip with the high-speed SAS-adapter cable and the boot-disk SAS cable

## Removing the disk-controller and USB riser-card assembly

You can remove the disk-controller and USB riser-card assembly.

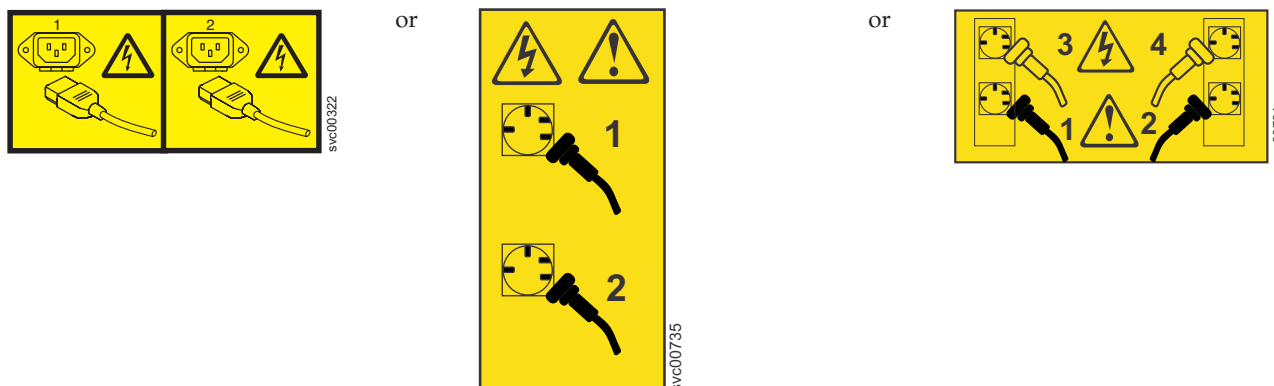
Take precautions to avoid damage from static electricity. Wear an anti-static wrist strap and use a static-protected mat or surface. For more information, see “Handling static-sensitive devices” on page xx.

## Removing the SAN Volume Controller 2145-CG8 or 2145-CF8 disk-controller and USB riser-card assembly

You can remove the SAN Volume Controller 2145-CG8 or 2145-CF8 disk-controller and USB riser-card assembly.

## DANGER

Multiple power cords. The product might be equipped with multiple power cords. To remove all hazardous voltages, disconnect all power cords. (L003)



This service action requires you to remove the cover and:

- Turn off the node.
- Disconnect the power cables.
- Disconnect the service-controller USB cable, the SAS boot-disk cable, and the SAS cable to disk bays 0, 1, 2, and 3, if the cable is still installed.

To remove the disk-controller and USB riser-card assembly, complete the following steps:

1. Read the safety information to which “Preparing to remove and replace parts” on page 26 refers.
2. Follow the procedure in MAP 5350 in the *IBM System Storage SAN Volume Controller Troubleshooting Guide* to verify that the node data is mirrored and synchronized, and that there are no dependent volumes before turning off the node.
3. Slide the node out on its slide rails to the fully extended position.  
You can perform most service actions when the node is fully extended from the rack on its slide rails. You can leave the Fibre Channel and Ethernet cables connected, if you are using the cable-management arm and if you are not removing the node from the rack. If the location of the node in the rack is too high or too low to work comfortably, you can remove the node from the rack.
4. When the node is completely turned off, remove the cable-retention brackets and disconnect the power cables, as described in “Removing the cable-retention bracket” on page 34.
5. Optional: If you must remove the node from the rack to work on it, perform the following procedure to remove all cables and remove the node from the rack:
  - a. To make sure that you can replace all cables in the same ports from which they were removed, label the port position of each Fibre Channel and Ethernet cable; then remove all cables from the back of the node.
  - b. Remove the node from the rack and place it on a flat, static-protective surface. See “Removing the SAN Volume Controller from a rack” on page 46.
6. Remove the top cover. See “Removing the top cover” on page 77.
7. Remove the USB service-controller cable from the USB connection ( **1** in Figure 204 on page 209) on the disk-controller and USB riser-card assembly ( **3** ), as described in “Removing and replacing the SAN Volume Controller 2145-CG8 or 2145-CF8 service controller cable” on page 88.

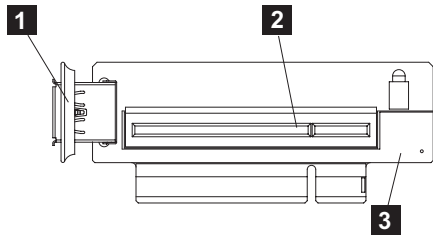


Figure 204. USB riser-card assembly (SAN Volume Controller 2145-CF8 shown)

- 1** USB connector
  - 2** Disk-controller connector
  - 3** USB riser-card assembly (shown without the disk controller)
8. Remove the SAS cable that runs to the boot-drive-bay connector on the left side of the back of the disk backplane, when viewed from the rear, from the connector on the disk-controller and USB riser-card assembly that is closer to the power supply.
  9. If present, remove the SAS cable that runs to disk-drive-bay connector in the center of the back of the disk backplane, when viewed from the rear, from the connector on the disk-controller and USB riser-card assembly that is closer to the front of the node.
  10. Grasp the disk controller near the end next to the power-supply cage while you press the black plastic tab (next to the power supply) toward the power supply.

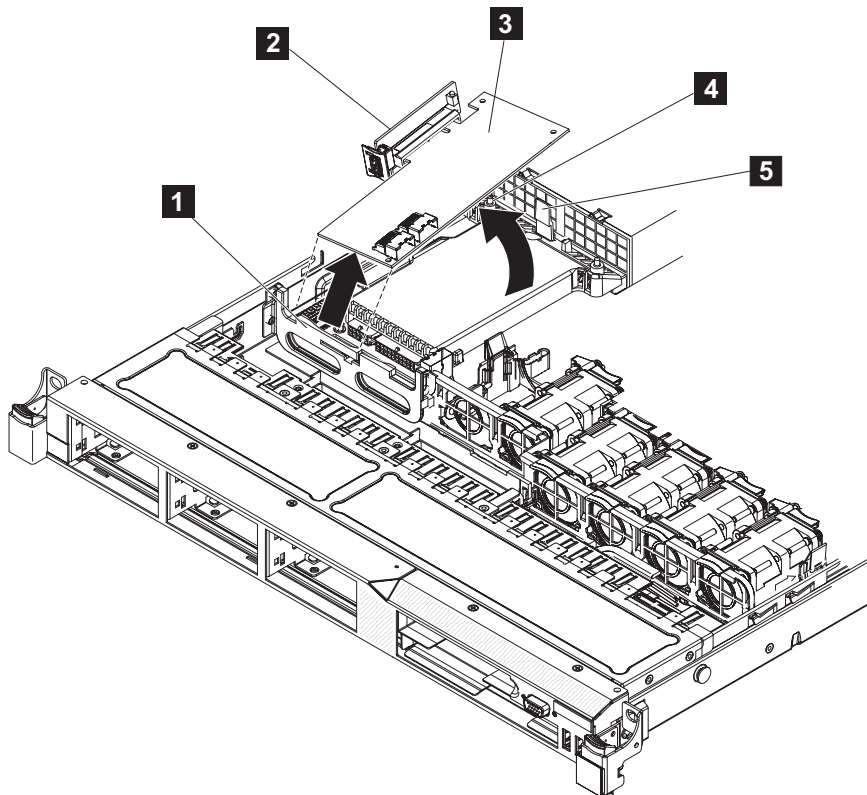


Figure 205. Disengaging the disk-controller front-retention bracket and removing the riser assembly and disk controller

- 1** Disk-controller front-retention bracket
- 2** Disk-controller and USB riser-card assembly
- 3** Disk controller
- 4** Alignment post

**5** Plastic tab

11. Pull up on the disk controller (**3** in Figure 205 on page 209) until the disk-controller and USB riser-card assembly (**2**) disengages from the connector on the system board.
12. Place the disk-controller and USB riser-card assembly on a flat, static-protective surface.
13. If you are instructed to return the disk-controller and USB riser-card assembly, follow all packaging instructions, and use any packaging materials for shipping that are supplied to you.

## Replacing the disk-controller and USB riser-card assembly

You can replace the disk-controller and USB riser-card assembly.

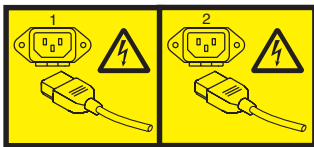
Take precautions to avoid damage from static electricity. Wear an anti-static wrist strap and use a static-protected mat or surface. For more information, see "Handling static-sensitive devices" on page xx.

## Replacing the SAN Volume Controller 2145-CG8 or 2145-CF8 disk-controller and USB riser-card assembly

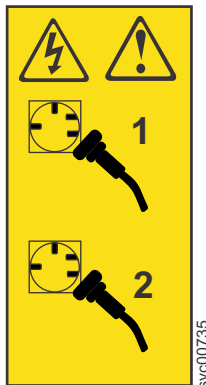
You can replace the SAN Volume Controller 2145-CG8 or 2145-CF8 disk-controller and USB riser-card assembly.

### DANGER

**Multiple power cords.** The product might be equipped with multiple power cords. To remove all hazardous voltages, disconnect all power cords. (L003)



or



or



To correctly perform this task, you must have alcohol wipes and thermal grease available. If you do not already have them, order these separately.

To replace the disk-controller and USB riser-card assembly, complete the following steps:

1. Turn off the node while ensuring that its data is mirrored and synchronized. See MAP 5350 in the *IBM System Storage SAN Volume Controller Troubleshooting Guide* for more information.
2. When the node is completely turned off, remove the power cable-retention brackets and remove the power cables from the rear of the node.
3. After labeling the Fibre Channel cables and the Ethernet cables with their locations, remove all of the cables from the node.
4. Optional: Remove the node from the rack and place it on a flat, static-protective surface. See "Removing the SAN Volume Controller from a rack" on page 46.
5. Remove the top cover. See "Removing the top cover" on page 77.
6. Remove the disk-controller and USB riser-card assembly from its packaging and place the riser-card assembly on a flat, static-protective surface.



7. Install the disk-controller and USB riser-card assembly.
  - a. Tilt the USB riser-card assembly slightly and insert the end of the disk controller in the slot on the retention bracket as shown in the following illustration.

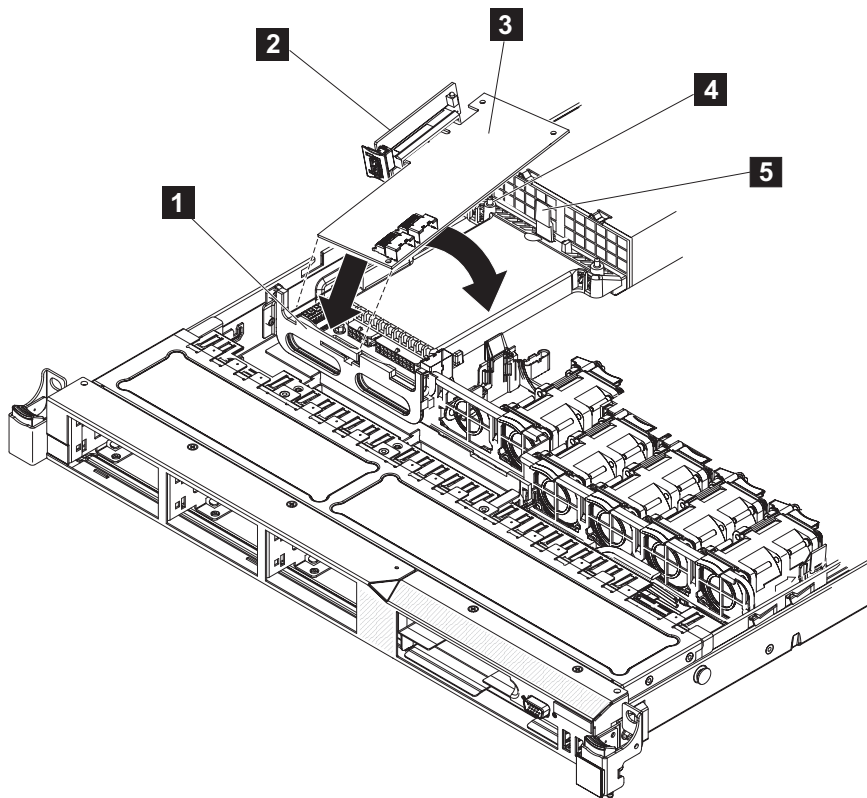


Figure 206. Engaging the disk-controller front-retention bracket and replacing the riser assembly and disk controller

Although the SAN Volume Controller 2145-CF8 is shown in the illustration, the SAN Volume Controller 2145-CG8 also includes the following parts:

- 1 Disk-controller front-retention bracket
  - 2 Disk-controller and USB riser-card assembly
  - 3 Disk controller
  - 4 Alignment post
  - 5 Plastic tab
- b. Align the riser-card assembly keys correctly with the connector on the system board and press down on the assembly until it is seated firmly into the connector on the system board.
8. Connect the USB service-controller cable to the USB connector on the USB riser-card assembly, if the cable is not connected, as described in “Removing and replacing the SAN Volume Controller 2145-CG8 or 2145-CF8 service controller cable” on page 88.

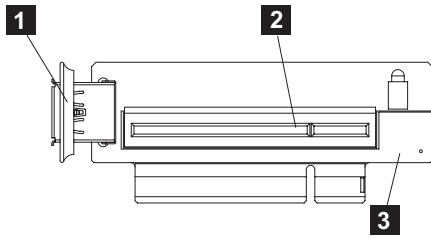


Figure 207. USB riser-card assembly (SAN Volume Controller 2145-CF8 shown)

- 1** USB connector
- 2** Disk-controller connector
- 3** Disk-controller and USB riser-card assembly

Figure 208 shows the USB service-controller cable connected to the disk-controller and USB riser-card assembly.

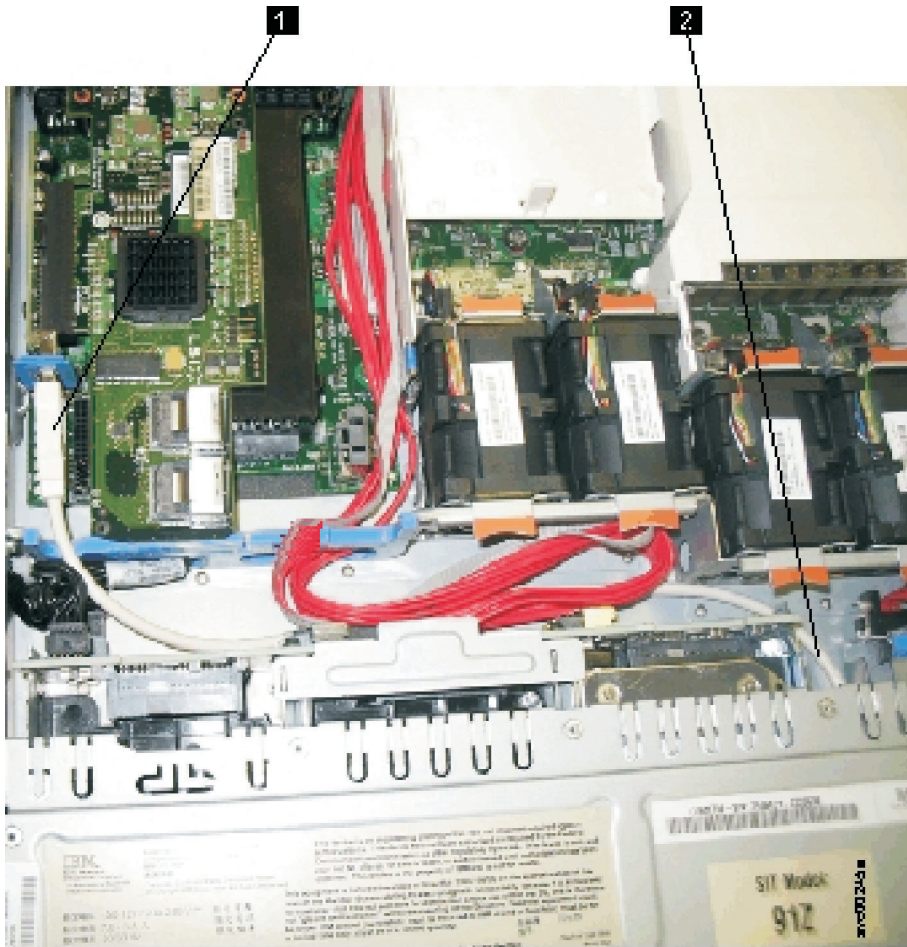


Figure 208. USB service-controller cable connected to the disk controller and USB riser card (SAN Volume Controller 2145-CF8 shown)

- 1** USB service-controller cable attached to the USB riser card
- 2** Service controller cable

9. Connect the SAS boot-drive cable to the connector on the disk controller that is closer to the power supplies.

The boot-drive cable is the cable to drive bays 4 and 5 in the SAN Volume Controller 2145-CF8 node or the cable to the boot-disk backplane in the SAN Volume Controller 2145-CG8 node.

Figure 209 shows the boot-disk SAS cable connected to the disk backplane.

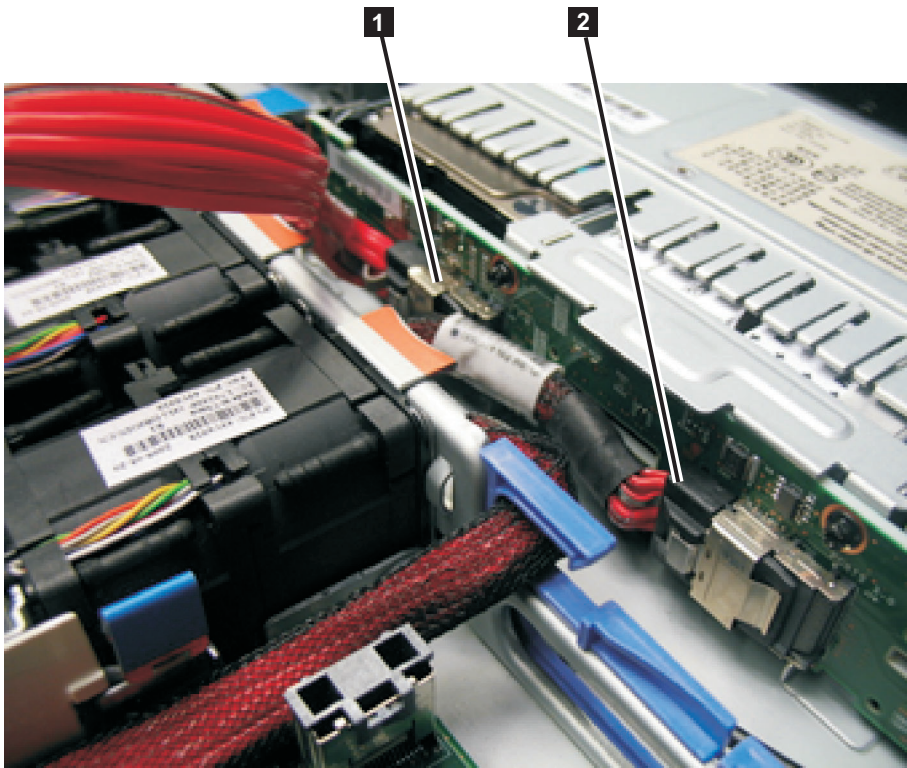


Figure 209. Boot-disk SAS cable and the high-speed SAS cable connected to the disk backplane in the SAN Volume Controller 2145-CG8 or 2145-CF8

The boot-disk cable is shown disconnected from the disk controller so that you can see the connectors on the back of the disk backplane more clearly.

- 1 Boot-disk SAS cable that is plugged into the disk-drive backplane to support drive bay 4
- 2 High-speed SAS-adapter cable that is plugged into the middle of the backplane to support drive bays 0, 1, 2, and 3

Figure 210 on page 214 shows the boot-disk SAS cable connected to the disk controller.

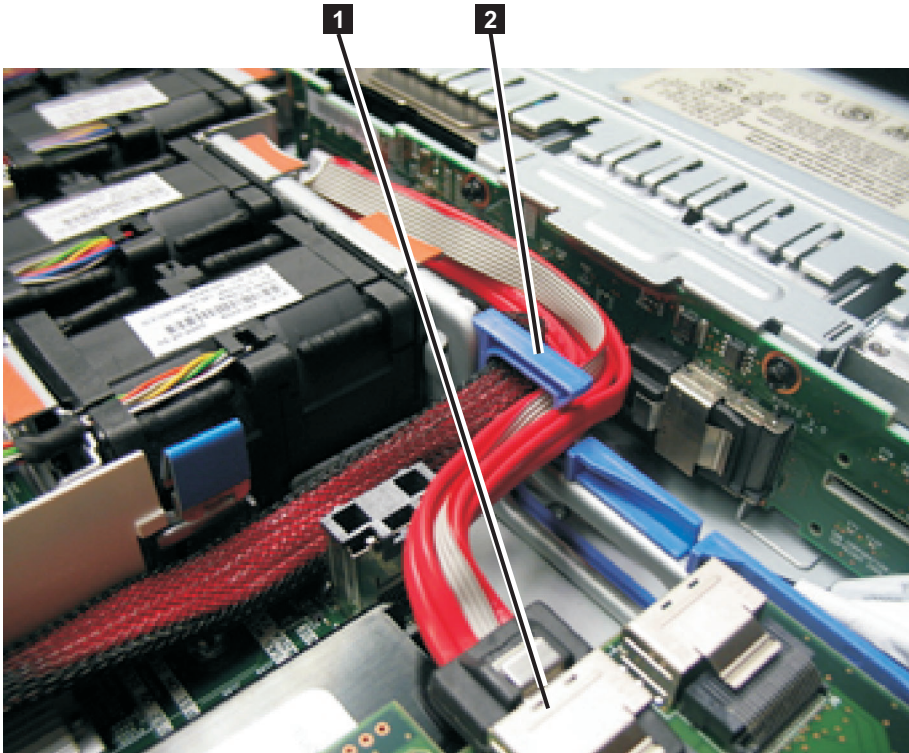


Figure 210. Boot-disk SAS cable routed through the blue bulkhead clip and connected to the SAS disk controller in the SAN Volume Controller 2145-CG8 or 2145-CF8

**1** Disk-controller cable connected to the disk-controller connector that is closer to the power supplies

**2** Blue bulkhead clip with the boot-disk SAS cable and the underlying high-speed SAS adapter cable, if present

10. Replace the top cover. See “Replacing the top cover” on page 81.
11. Place the node in the rack. See “Replacing the SAN Volume Controller in a rack” on page 55.
12. Slide the node into the rack.
13. Reconnect the power cords and the Fibre Channel and Ethernet cables. Ensure that you replace the Fibre Channel and Ethernet cables in the same ports from which they were removed.
14. Replace the cable-retention bracket. See “Replacing the cable-retention bracket” on page 39.
15. Replace the cable-management arm. See “Replacing the cable-management arm” on page 30.
16. Turn on the node.

## Removing the PCI express riser card assembly

Use these instructions when you are prompted to remove the SAN Volume Controller PCI express riser card assembly.

### Removing the SAN Volume Controller 2145-8A4 PCI express riser card assembly

Use these instructions when you are prompted to remove the SAN Volume Controller 2145-8A4 PCI express riser card assembly.

**Note:** Take precautions to avoid damage from static electricity. Wear an anti-static wrist strap and use a static-protected mat or surface. For more information, see “Handling static-sensitive devices” on page xx.

To remove the SAN Volume Controller 2145-8A4 PCI express riser card assembly, follow the instructions in “Removing the SAN Volume Controller 2145-8A4 Fibre Channel adapter assembly” on page 181.

## **Removing the SAN Volume Controller 2145-8G4 PCI express riser card assembly**

Use these instructions when you are prompted to remove the SAN Volume Controller 2145-8G4 PCI express riser card assembly.

**Note:** Take precautions to avoid damage from static electricity. Wear an anti-static wrist strap and use a static-protected mat or surface. For more information, see “Handling static-sensitive devices” on page xx.

To remove the SAN Volume Controller 2145-8G4 PCI express riser card assembly, follow the instructions in “Removing the SAN Volume Controller 2145-8G4 Fibre Channel adapter assembly” on page 182.

## **Replacing the PCI express riser-card assembly**

Use these instructions when you are prompted to replace the SAN Volume Controller PCI express riser card assembly.

## **Replacing the SAN Volume Controller 2145-8A4 PCI express riser-card assembly**

Use these instructions when you are prompted to replace the SAN Volume Controller 2145-8A4 PCI express riser card assembly.

Follow the instructions in “Replacing the SAN Volume Controller 2145-8A4 Fibre Channel adapter assembly” on page 187.

## **Replacing the SAN Volume Controller 2145-8G4 PCI express riser-card assembly**

Use these instructions when you are prompted to replace the SAN Volume Controller 2145-8G4 PCI express riser card assembly.

Follow the instructions in “Replacing the SAN Volume Controller 2145-8G4 Fibre Channel adapter assembly” on page 188.

## **Removing the operator-information panel assembly**

You might be prompted to remove the SAN Volume Controller operator-information panel.

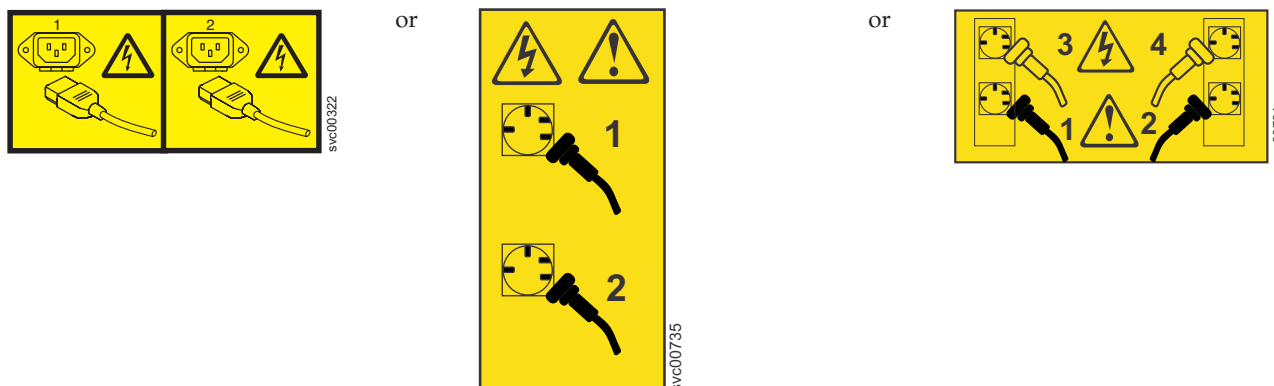
Take precautions to avoid damage from static electricity. Wear an anti-static wrist strap and use a static-protected mat or surface. For more information, see “Handling static-sensitive devices” on page xx.

## **Removing the SAN Volume Controller 2145-CG8 or 2145-CF8 operator-information panel assembly**

- | You can remove the operator-information panel assembly on a SAN Volume Controller 2145-CG8 or
- | 2145-CF8.

## DANGER

Multiple power cords. The product might be equipped with multiple power cords. To remove all hazardous voltages, disconnect all power cords. (L003)



This service action requires you to:

- Turn off the node.
- Disconnect the power cables.

Make careful note of the layout of the cables as you go through this procedure as you must replace them in the same position when you replace the operator-information panel assembly.

Perform the following steps to remove the operator-information panel:

1. Read the safety information to which “Preparing to remove and replace parts” on page 26 refers.
2. Follow the procedure in MAP 5350 in the *IBM System Storage SAN Volume Controller Troubleshooting Guide* to verify that the node data is mirrored and synchronized, and that there are no dependent volumes before turning off the node.
3. Slide the node out on its slide rails to the fully extended position.  
You can perform most service actions when the node is fully extended from the rack on its slide rails. You can leave the Fibre Channel and Ethernet cables connected, if you are using the cable-management arm and if you are not removing the node from the rack. If the location of the node in the rack is too high or too low to work comfortably, you can remove the node from the rack.
4. When the node is completely turned off, remove the cable-retention brackets and disconnect the power cables, as described in “Removing the cable-retention bracket” on page 34.
5. Optional: If you must remove the node from the rack to work on it, perform the following procedure to remove all cables and remove the node from the rack:
  - a. To make sure that you can replace all cables in the same ports from which they were removed, label the port position of each Fibre Channel and Ethernet cable; then remove all cables from the back of the node.
  - b. Remove the node from the rack and place it on a flat, static-protective surface. See “Removing the SAN Volume Controller from a rack” on page 46.
6. From the rear of the operator-information panel assembly, disconnect the cable.
7. Use an object to push down on the release tab ( **2** in Figure 211 on page 217).  
Hold down the release tab and push the blue push point on the rear of the panel toward the front of the node.

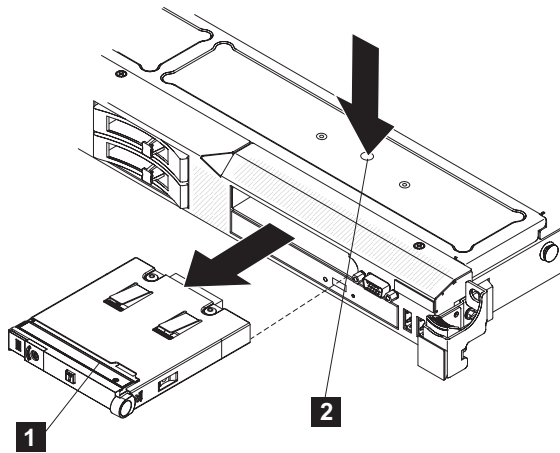


Figure 211. Using the release tab to remove the SAN Volume Controller 2145-CG8 or 2145-CF8 operator-information panel

- 1** Operator-information panel
- 2** Release tab

8. From the front of the node, carefully pull the assembly (**1**) out of the node while you move the assembly slightly from side to side.
9. If you are instructed to return the operator-information panel assembly, follow all packaging instructions, and use any packaging materials for shipping that are supplied to you.

### Removing the SAN Volume Controller 2145-8A4 operator-information panel

You might have to remove the operator-information panel on a SAN Volume Controller 2145-8A4 due to required maintenance.

Make careful note of the layout of the cables as you go through this procedure as they will need replacing in the same position when you replace the operator-information panel.

Perform the following steps to remove the operator-information panel:

1. Turn off the node while ensuring that its data is mirrored and synchronized. See MAP 5350 in the *IBM System Storage SAN Volume Controller Troubleshooting Guide* for more information.
2. Remove the cable-retention bracket and disconnect the power cable from the node. See “Removing the cable-retention bracket” on page 34.
3. Remove the node from the rack and place it on a flat, static-protective surface. See “Removing the SAN Volume Controller from a rack” on page 46.
4. Remove the top cover. See “Removing the top cover” on page 77.
5. Remove the screws (**3** in Figure 212 on page 218) that secure the operator-information panel to the CD/DVD bay housing.

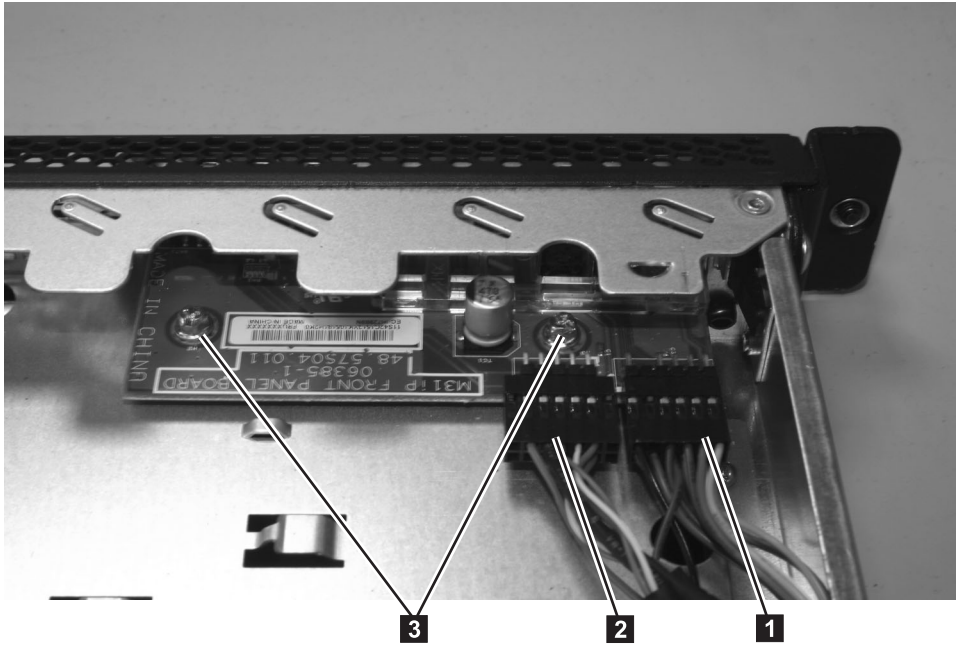


Figure 212. SAN Volume Controller 2145-8A4 operator-information panel

6. Lift the operator-information panel out of the node.
7. Disconnect the light-panel cable **1** and the USB cable **2** from the operator-information panel board, shown in Figure 212.

### Removing the SAN Volume Controller 2145-8G4 operator-information panel assembly

You might have to remove the operator-information panel assembly on a SAN Volume Controller 2145-8G4 due to required maintenance.

Make careful note of the layout of the cables as you go through this procedure as they will need replacing in the same position when you replace the operator-information panel assembly.

Perform the following steps to remove the operator-information panel:

1. Turn off the node while ensuring that its data is mirrored and synchronized. See MAP 5350 in the *IBM System Storage SAN Volume Controller Troubleshooting Guide* for more information.
2. Remove the cover and open the fan door. See “Removing the top cover” on page 77.
3. Release the dummy CD/DVD drive **2** by pressing the release button **1** and sliding the drive out approximately 2 cm (1 in), as shown in Figure 213 on page 219. It is possible to push the drive from the back to start it moving. Do not remove the drive from the casing.



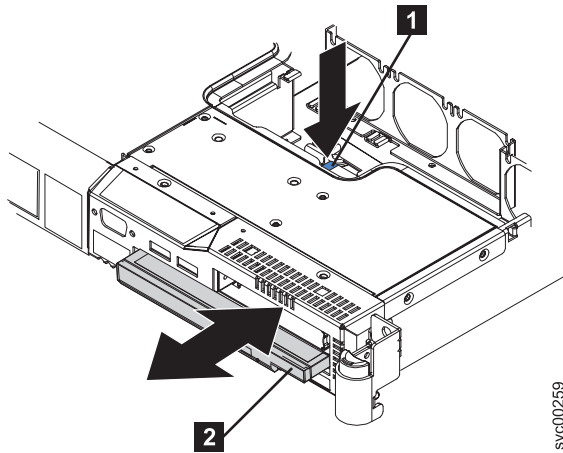


Figure 213. SAN Volume Controller 2145-8G4 dummy CD/DVD drive

- 1** Release button
- 2** Dummy CD/DVD drive

4. Remove the CD interposer card (**2** in Figure 214) by unscrewing it, lifting it slightly and then removing the cable from it.

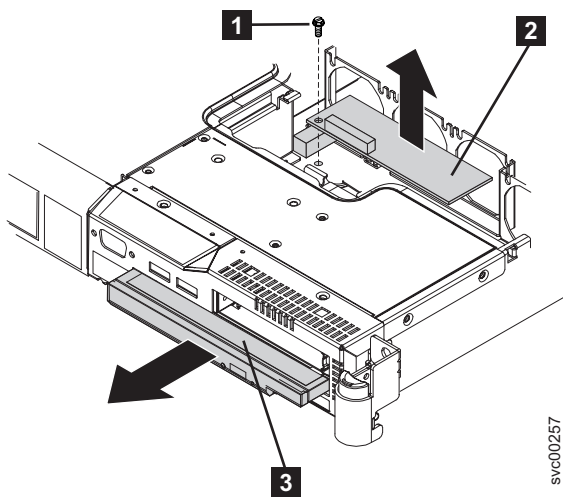


Figure 214. Removing the CD interposer card

- 1** Screw
- 2** Interposer card
- 3** Dummy CD/DVD drive

5. Remove fan 3, as shown in Figure 215 on page 220.

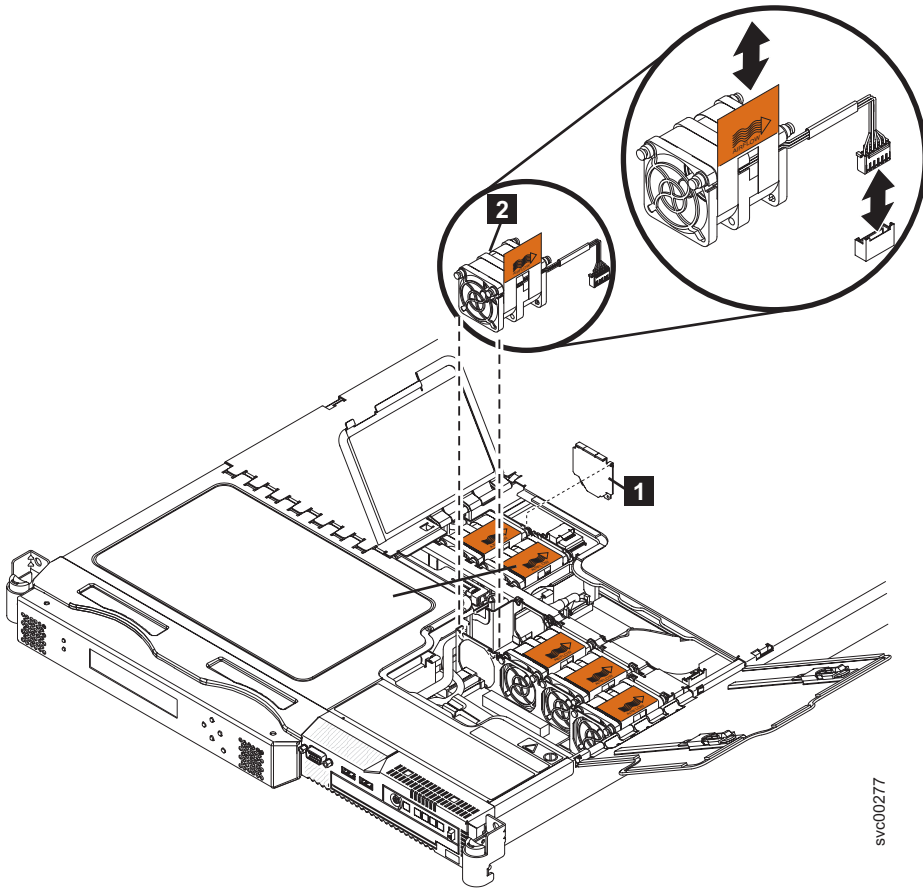
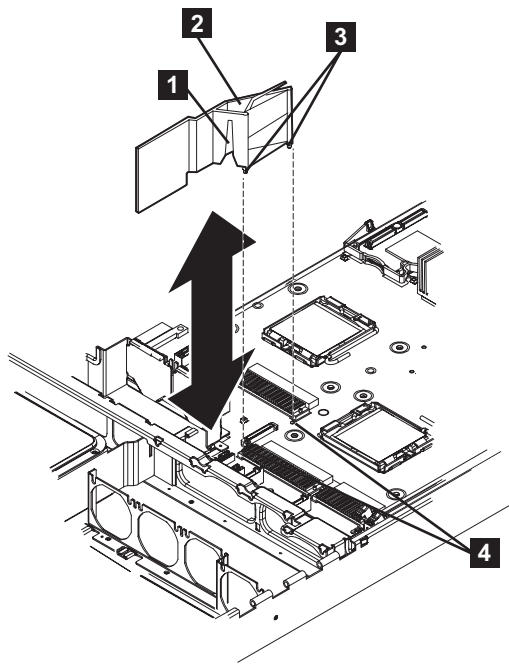


Figure 215. SAN Volume Controller 2145-8G4 fan 3

**1** Air baffle

**2** Fan 3

6. Remove the air baffle (**2** in Figure 216 on page 221).



svc00250

Figure 216. SAN Volume Controller 2145-8G4 air baffle

- 1** Cable routing slot
- 2** Air baffle
- 3** Baffle pins
- 4** Baffle mounting holes

7. Unplug the video cable **8**, the USB cable **7** and the CD/DVD cable **9** from the system board. There is no need to completely remove these cables. Unplugging them makes it easier to maneuver the light path ribbon cable **4**. In Figure 217 on page 222, the front of the node is at the bottom of the illustration.

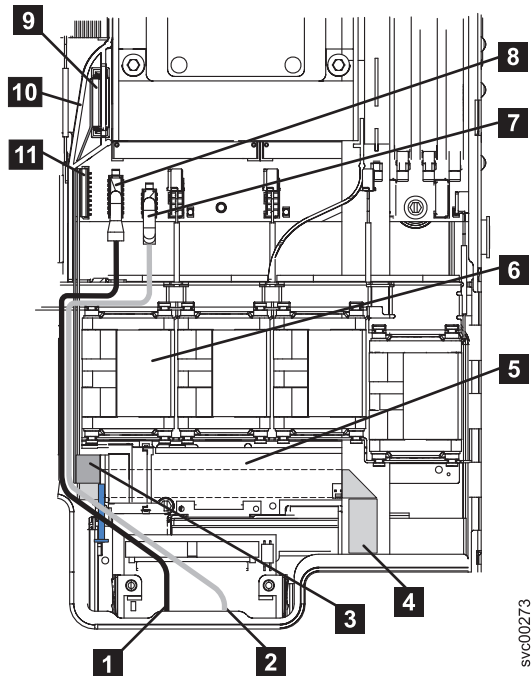
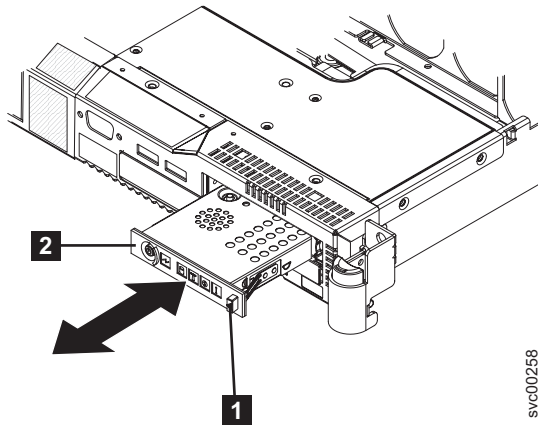


Figure 217. SAN Volume Controller 2145-8G4 video, USB, and the CD/DVD cables

- 1** Video cable
- 2** USB cable
- 3** CD-RW cable
- 4** Light path cable
- 5** Interposer card
- 6** Fan 3
- 7** USB cable connector
- 8** Video cable connector
- 9** CD-RW connector
- 10** Air baffle
- 11** Light path cable connector

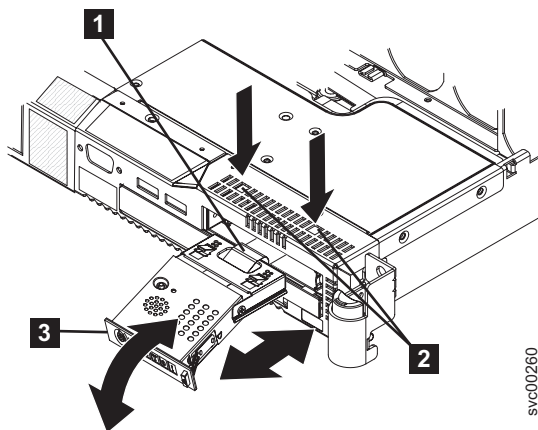
8. Unplug the light path ribbon cable **4** from the system board connector **11** and completely unthread the cable removing it from the three retaining brackets. Also release it from any tape holding it in place. The cable should be free to move forward with the operator-information panel.
9. Press the release button (**1** in Figure 218 on page 223) on the front of the operator-information panel **2** and pull forward until it locks in place.



svc00258

Figure 218. SAN Volume Controller 2145-8G4 operator-information panel

10. Press the two release buttons ( **2** in Figure 219) that are visible through the top of the node and pull the assembly **3** completely out of the node. Carefully pull the attached light path ribbon cable **1** out of the server.



svc00260

Figure 219. Removing the SAN Volume Controller 2145-8G4 operator-information panel

### Removing the SAN Volume Controller 2145-8F4 or SAN Volume Controller 2145-8F2 operator-information panel

You might have to remove the operator-information panel on a SAN Volume Controller 2145-8F2 or SAN Volume Controller 2145-8F4 due to required maintenance.

Perform the following steps to remove the operator-information panel:

1. Turn off the node while ensuring that its data is mirrored and synchronized. See MAP 5350 in the *IBM System Storage SAN Volume Controller Troubleshooting Guide* for more information.
2. Remove the SAN Volume Controller 2145-8F4 cable retention bracket.
3. To make sure that you can replace all cables in the same ports from which they were removed, record the position of all Fibre Channel and Ethernet cables; then remove all cables from the back of the node.
4. Remove the top cover. See “Removing the top cover” on page 77. If necessary, you might have to remove the node from the rack.
5. Press the operator-information panel release latch ( **2** in Figure 220 on page 224) and slide the operator-information panel away from the SAN Volume Controller 2145-8F2.

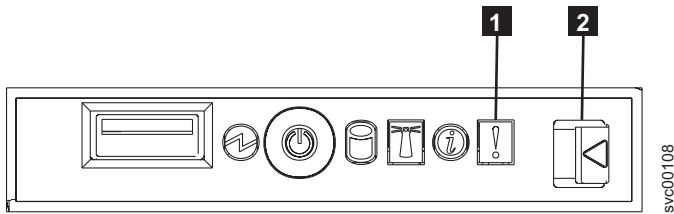


Figure 220. SAN Volume Controller 2145-8F4 operator-information panel

6. Use a small screwdriver to push in the retention springs (**1** in Figure 221) on the sides of the operator-information panel assembly.

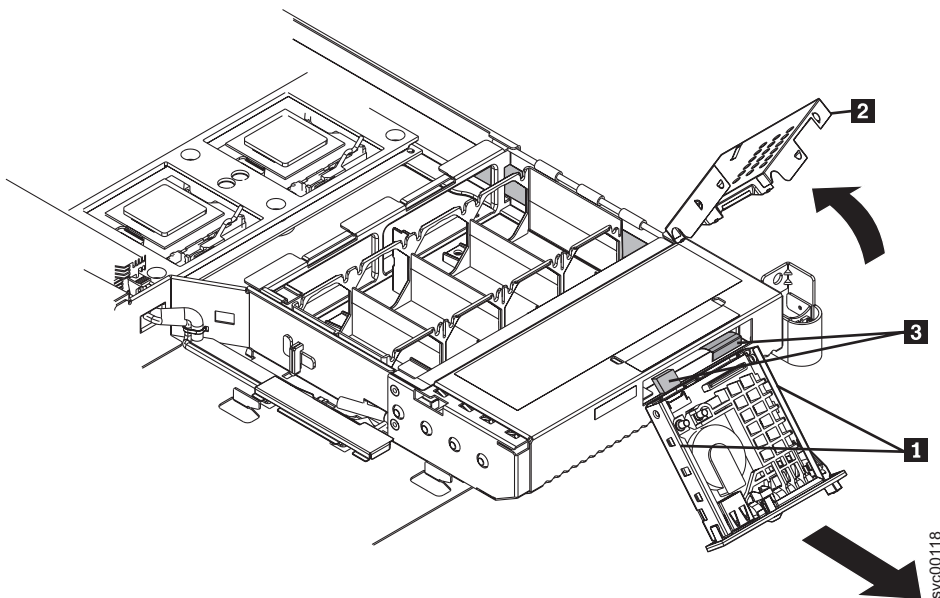


Figure 221. SAN Volume Controller 2145-8F2 with exposed operator-information panel

- 1** Retention springs
- 2** Operator-information panel assembly cover
- 3** Cables

7. Slide the assembly forward and out of the node.
8. Push out on the two sides of the assembly cover to flare it out.
9. Rotate the assembly cover (**2** in Figure 221) up and off of the operator-information panel assembly.
10. Unplug the two cables from the rear of the assembly (**3** in Figure 221).

## Replacing the operator-information panel assembly

You might be prompted to replace the SAN Volume Controller operator-information panel assembly.

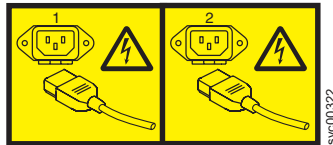
Take precautions to avoid damage from static electricity. Wear an anti-static wrist strap and use a static-protected mat or surface. For more information, see “Handling static-sensitive devices” on page xx.

## Replacing the SAN Volume Controller 2145-CG8 or 2145-CF8 operator-information panel assembly

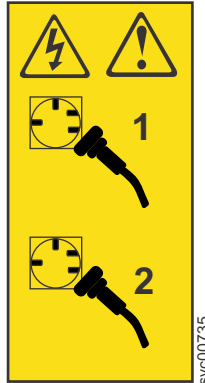
You can replace the operator-information panel on a SAN Volume Controller 2145-CG8 or 2145-CF8.

### DANGER

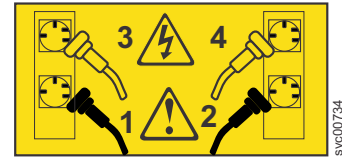
Multiple power cords. The product might be equipped with multiple power cords. To remove all hazardous voltages, disconnect all power cords. (L003)



or



or



This service action assumes that:

- The node is turned off. If you must turn off the node, ensure that its data is mirrored and synchronized, and that there are no dependent volumes, as described in MAP 5350 in the *IBM System Storage SAN Volume Controller Troubleshooting Guide*.
- The power cables are disconnected.
- The top cover is removed.

Perform the following steps to replace the operator-information panel:

1. Read the safety information to which “Preparing to remove and replace parts” on page 26 refers.
2. From the front of the node, slide the operator-information panel into the node until it clicks into place.
3. Inside the node, connect the cable to the rear of the operator information panel assembly.

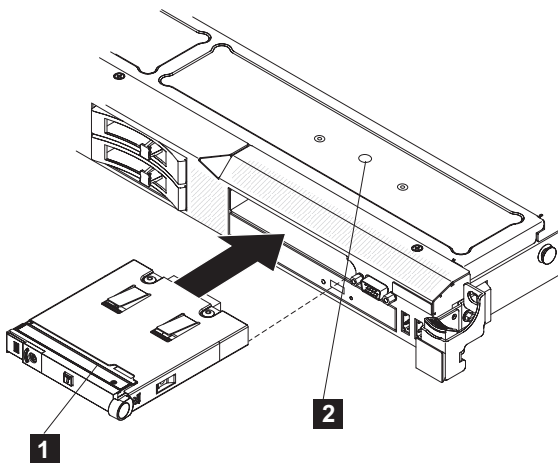


Figure 222. Replacing the SAN Volume Controller 2145-CG8 or 2145-CF8 operator-information panel

1 Operator-information panel

2 Release tab

The following illustration shows the cable routing for the operator-information panel:

**Note:** The operation information panel cable should go in above the Video/USB cable in the node.

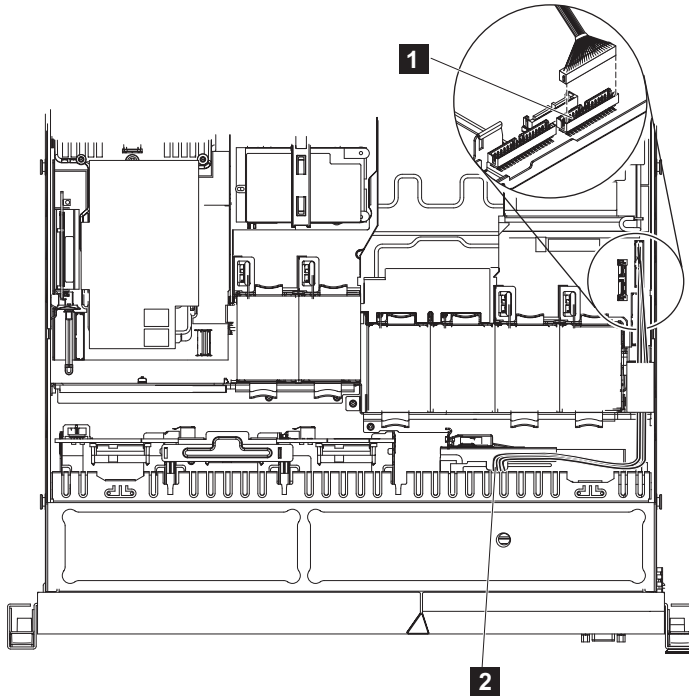


Figure 223. Connecting the SAN Volume Controller 2145-CG8 or 2145-CF8 operator-information panel cable

1 Operator-information panel connector

2 Operator-information panel cable

4. Replace the top cover. See “Replacing the top cover” on page 81.
5. If you removed the node from the rack, replace the node in the rack, as described in “Replacing the SAN Volume Controller in a rack” on page 55.
6. If you removed any Fibre Channel or Ethernet cables, use the labels you placed on each cable to replace all Fibre Channel and Ethernet cables in the same ports from which they were removed.
7. If you removed the power cords, replace the power cords and the cable-retention brackets, as described in “Replacing the cable-retention bracket” on page 39.
8. Lift the locking levers ( 1 in Figure 224 on page 227) on the slide rails and push the server 2 all the way into the rack until it clicks into place.



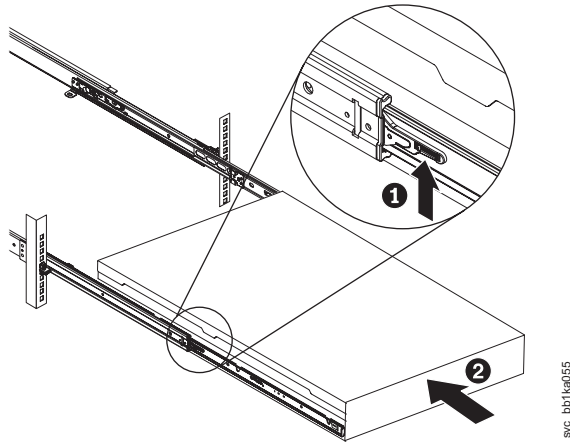


Figure 224. Raising the SAN Volume Controller 2145-CF8 or 2145-CG8 locking levers of the slide rails of the rack

9. Turn on the node.

### Replacing the SAN Volume Controller 2145-8A4 operator-information panel

You might have to replace the operator-information panel assembly on a SAN Volume Controller 2145-8A4 due to required maintenance.

Perform the following steps to replace the operator-information panel:

1. Connect the light panel cable **1** and the front USB cable **2**, shown in Figure 225, to the operator-information panel board.

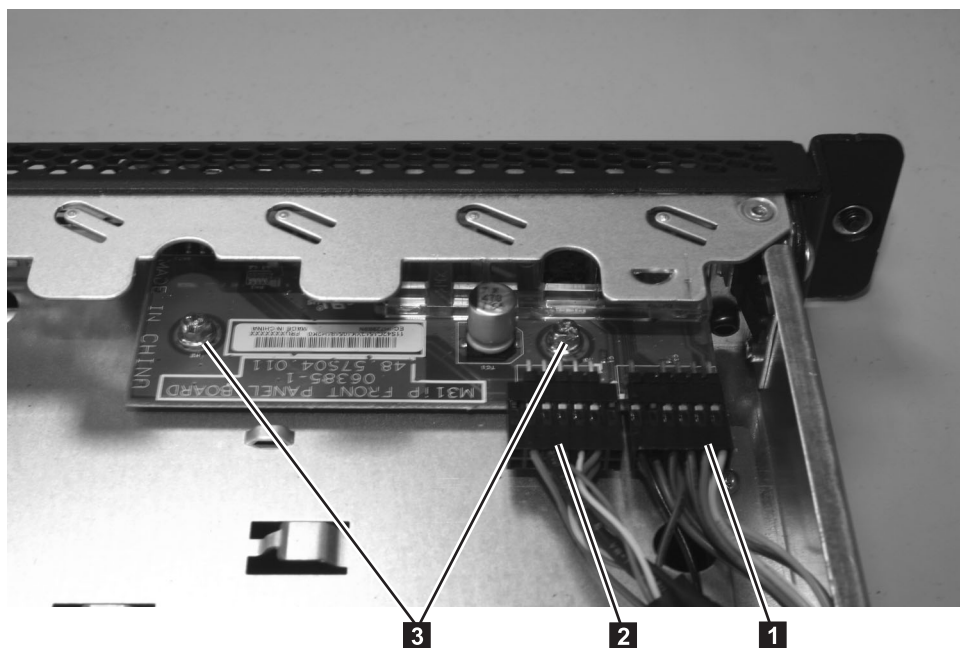


Figure 225. SAN Volume Controller 2145-8A4 operator-information panel

2. Guide the operator-information panel into position on top of the CD/DVD bay housing. Make sure that the LEDs and the USB connectors are aligned with the openings in the bezel and that the holes in the board align with the screw holes in the top of the bay housing.
3. Tighten the screws **3** to secure the operator-information panel onto the top of the CD/DVD bay housing.

4. Replace the top cover. See “Replacing the top cover” on page 81.
5. Place the node in the rack. See “Replacing the SAN Volume Controller in a rack” on page 55.
6. Connect the power cable to the node and replace the cable-retention bracket. See “Replacing the cable-retention bracket” on page 39.
7. Turn on the node.

## Replacing the SAN Volume Controller 2145-8G4 operator-information panel assembly

You might have to replace the operator-information panel on a SAN Volume Controller 2145-8G4 due to required maintenance.

Perform the following steps to replace the operator-information panel:

1. From the front of the node, thread the light path ribbon cable through the panel housing in the node.
2. Slide the operator-information panel into its cage, as shown in Figure 226, until it locks in place with a click (in the In position); gently pull the cable through at the back as you do this.

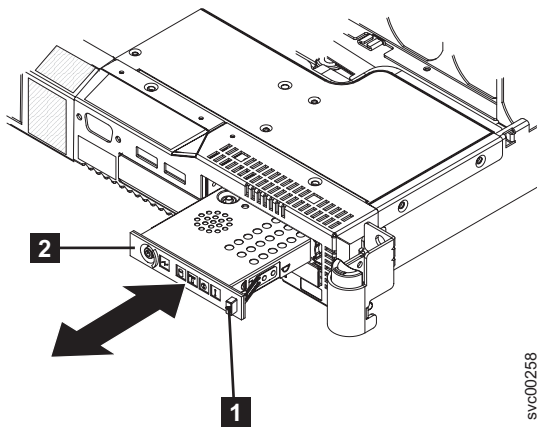


Figure 226. SAN Volume Controller 2145-8G4 operator-information panel

- 1 Release button
- 2 Operator-information panel
3. Carefully thread the light path assembly ribbon cable **4** back under its retaining brackets and replace the tape securing it in place.
4. Thread the light path assembly ribbon cable **4** back to the system board. Reconnect the cable to the system board socket **11**. In Figure 227 on page 229, the front of the node is shown at the bottom of the illustration. The connectors on the cable plug go towards the center of the node and the blue side is towards the outside of the node.

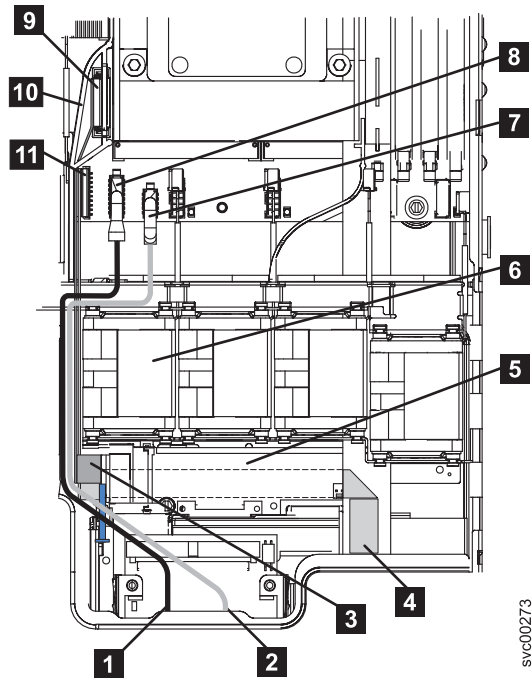
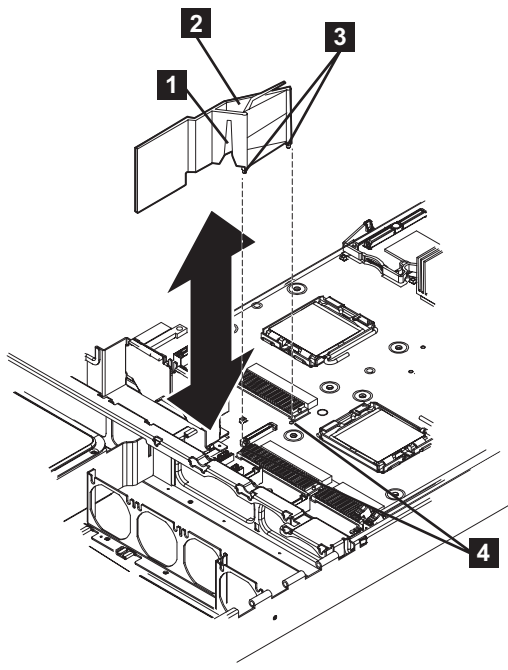


Figure 227. SAN Volume Controller 2145-8G4 video, USB, and the CD/DVD cables

- 1** Video cable
- 2** USB cable
- 3** CD-RW cable
- 4** Light path cable
- 5** Interposer card
- 6** Fan 3
- 7** USB cable connector
- 8** Video cable connector
- 9** CD-RW connector
- 10** Air baffle
- 11** Light path cable connector

5. Reconnect the video cable **8** , the USB cable **7** and the CD/DVD cable **9** to the system board.
6. Replace the air baffle **2** . It is easier to do this if you remove fan 2. Ensure that all the cables are routed correctly, as shown in Figure 228 on page 230, and not obstructing the fan doors.

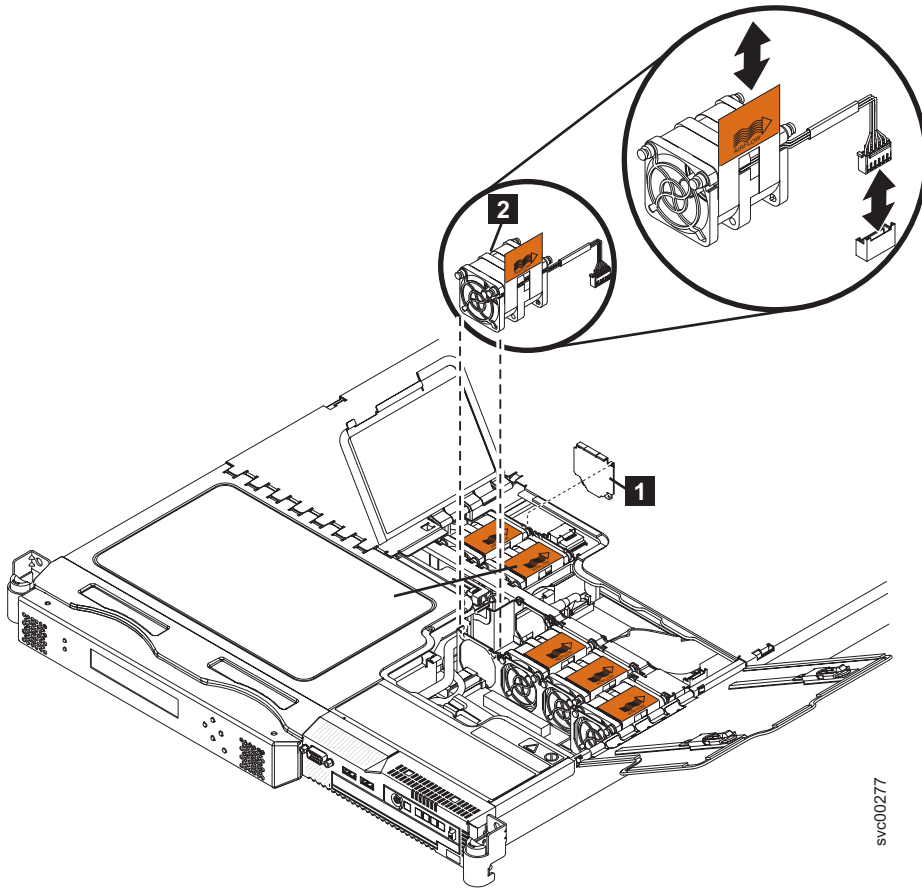


svc00250

Figure 228. SAN Volume Controller 2145-8G4 air baffle

- 1** Cable routing slot
- 2** Air baffle
- 3** Baffle pins
- 4** Baffle mounting holes

7. Replace fan 3 as shown in Figure 229 on page 231.



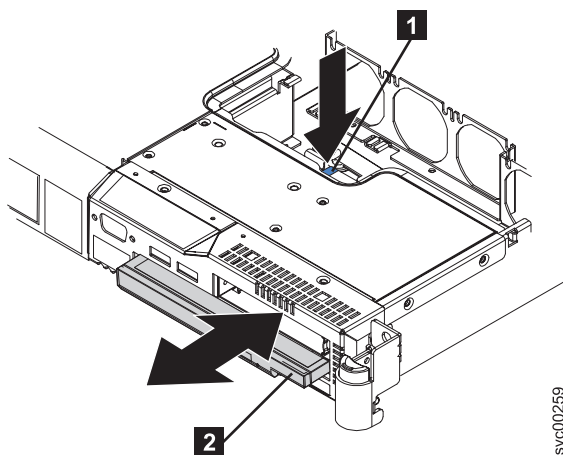
svc00277

Figure 229. SAN Volume Controller 2145-8G4 fan 3

**1** Air baffle

**2** Fan 3

8. Reconnect the CD cable to the interposer card, locating the pins on the right hand side; then, mount the card to the node with the screw that you removed.
9. Slide the dummy CD/DVD drive **2** back into its enclosure.



svc00259

Figure 230. SAN Volume Controller 2145-8G4 dummy CD/DVD drive

- 1** Release button
  - 2** Dummy CD/DVD drive
10. Ensure that the fan door still closes; realign the cable if it does not.
  11. Reopen the fan door and replace the cover; close all doors.
  12. Replace the node in the rack, reconnect all cables, and power on the node.

## Replacing the SAN Volume Controller 2145-8F2 or SAN Volume Controller 2145-8F4 operator-information panel

You might have to replace the operator-information panel on a SAN Volume Controller 2145-8F2 or SAN Volume Controller 2145-8F4 due to required maintenance.

Perform the following steps to replace the operator-information panel:

1. Plug in the two cables on the rear of the assembly **1**. See Figure 231.

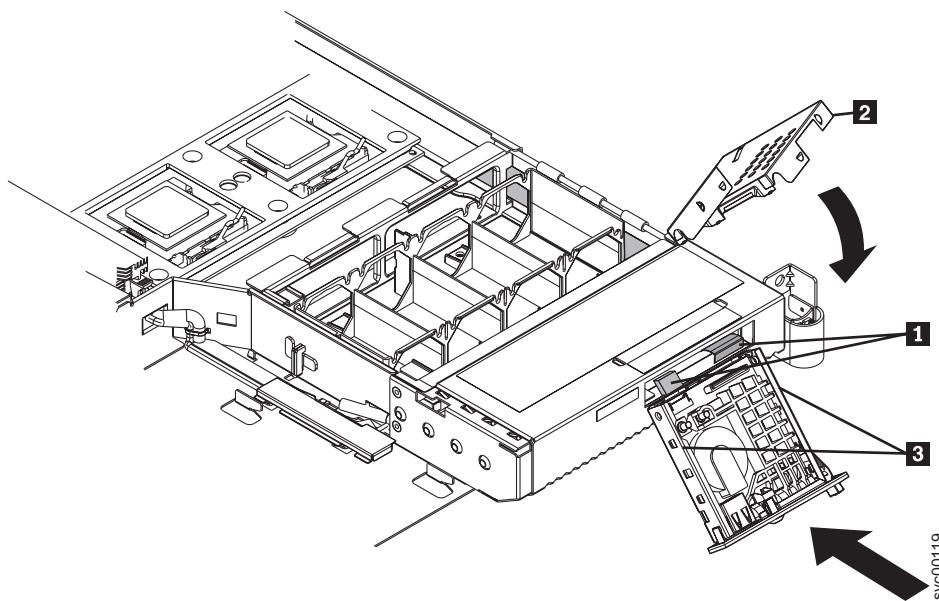


Figure 231. Replacing the operator-information panel

- 1** Cables
- 2** Operator-information panel assembly cover

2. Replace the assembly cover **2** onto the operator-information panel assembly.
3. Slide the assembly into the node until it is firmly anchored.
4. Replace the top cover and replace the node in the rack, if necessary.
5. Connect all power cords and external cables to the back of the server.
6. Turn on the node.

## Removing the operator-information panel cable

Use these instructions when you are prompted to remove the operator-information panel cable.

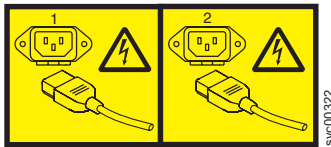
Take precautions to avoid damage from static electricity. Wear an anti-static wrist strap and use a static-protected mat or surface. For more information, see “Handling static-sensitive devices” on page xx.

## Removing the SAN Volume Controller 2145-CG8 or 2145-CF8 operator-information panel cable

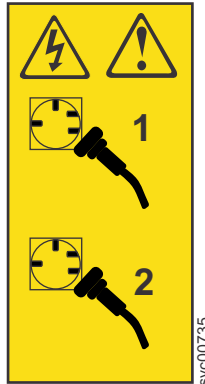
Use these instructions when you are prompted to remove the operator-information panel cable from the SAN Volume Controller 2145-CG8 or 2145-CF8.

### DANGER

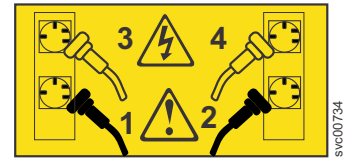
Multiple power cords. The product might be equipped with multiple power cords. To remove all hazardous voltages, disconnect all power cords. (L003)



or



or



This service action assumes that:

- The node is turned off. If you must turn off the node, ensure that its data is mirrored and synchronized, and that there are no dependent volumes, as described in MAP 5350 in the *IBM System Storage SAN Volume Controller Troubleshooting Guide*.
- The power cables are disconnected.
- The top cover is removed.

Perform the following steps to remove the operator-information panel cable:

1. Read the safety information to which “Preparing to remove and replace parts” on page 26 refers.
2. Disconnect the cable from the rear of the operator-information panel.
3. Disconnect the cable from the connector above the Video/USB cable connector on the right side of the node, as shown in Figure 232 on page 234.

The following illustration shows the cable routing for the operator-information panel cable.

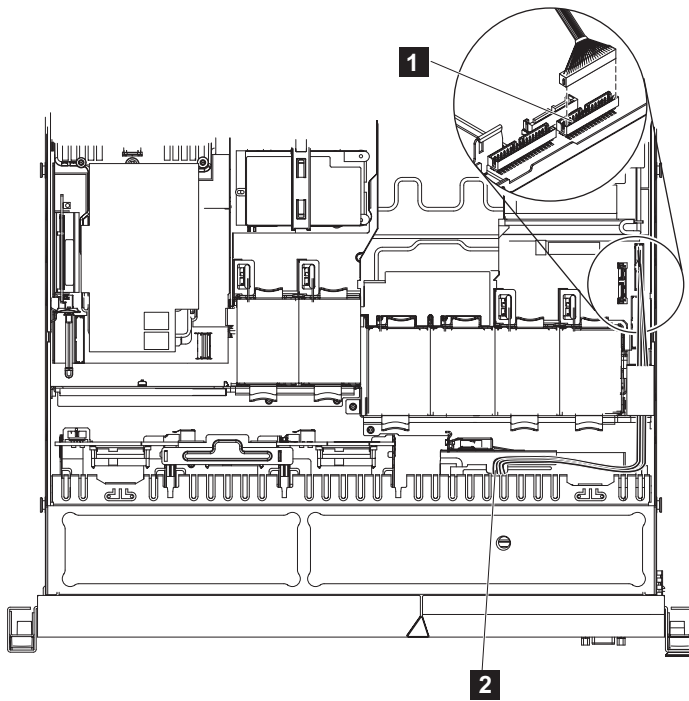


Figure 232. Disconnecting the SAN Volume Controller 2145-CG8 or 2145-CF8 operator-information panel cable

- 1** Operator-information panel connector
- 2** Operator-information panel cable

4. Lift the cable from the node.
5. Replace the cable before proceeding.

### Removing the SAN Volume Controller 2145-8A4 operator-information panel cable

Use these instructions when you are prompted to remove the operator-information panel cable from the SAN Volume Controller 2145-8A4.

Make careful note of the layout of the cables as you go through this procedure as they will need replacing in the same position when you replace the operator-information panel cable.

**Attention:** It is easier to remove the operator-information panel cable if you first remove the service controller, disk drive, and the backplane. If you decide to do that, see “Removing the disk drive” on page 110 before using this procedure.

Perform the following steps to remove the operator-information panel cable:

1. Turn off the node while ensuring that its data is mirrored and synchronized. See MAP 5350 in the *IBM System Storage SAN Volume Controller Troubleshooting Guide* for more information.
2. Remove the cable-retention bracket and disconnect the power cable. To make sure that you can replace all cables in the same ports from which they were removed, record the position of all Fibre Channel and Ethernet cables; then remove all external cables from the node. See “Removing the cable-retention bracket” on page 34.
3. Remove the node from the rack and place it on a flat, static-protective surface. See “Removing the SAN Volume Controller from a rack” on page 46.
4. Optionally, remove the service controller and pull the disk drive slightly out of the node to disengage it from the backplane. You can then lift the backplane out of the way when you remove the cable.
5. Remove the top cover. See “Removing the top cover” on page 77.



6. Disconnect the light-panel cable **1** and the USB cable **2** from the operator-information panel board shown in Figure 233.

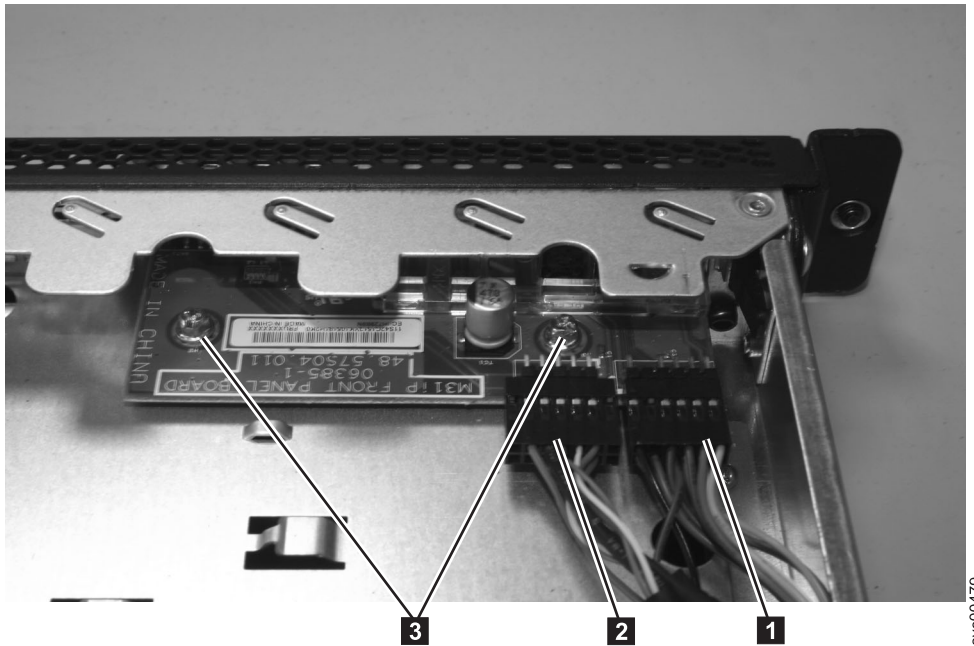


Figure 233. SAN Volume Controller 2145-8A4 operator-information panel

7. The operator-information panel cable consists of two thick cables and a number of thinner cables that are bundled together and routed through the chassis. It provides connectivity for the operator-information panel and the front USB ports. Trace this cable assembly through to the right side of the system board (next to the power supply) and disconnect the Front USB connector **1** and the operator-information panel connector **2** from the system board shown in Figure 234.

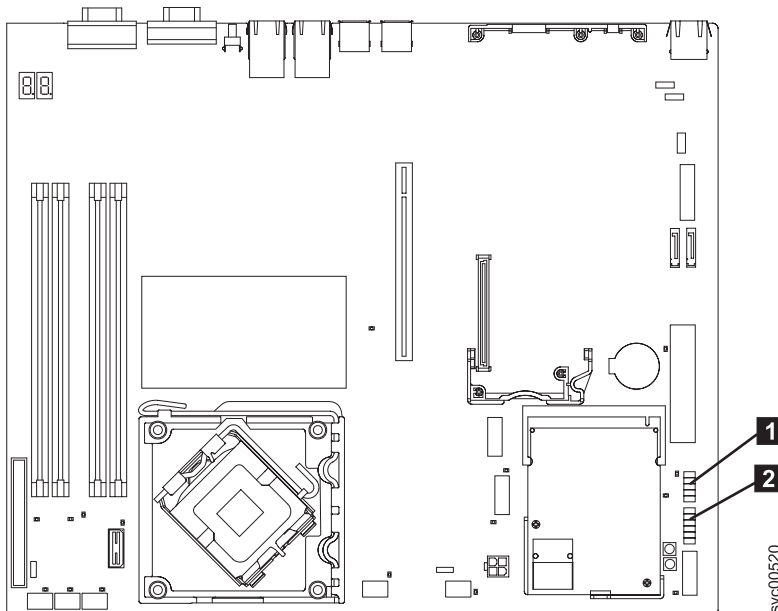


Figure 234. Connectors for the operator-information panel on the SAN Volume Controller 2145-8A4 system board

**1** Front USB connector

**2** Operator-information panel connector

8. Rotate (lift) the air deflector out of the way. It is easier to access the cable if you lift the backplane out of the way. You do not need to remove either SATA disk cable.
9. Remove the operator-information panel cable assembly from the retention-clip next to the air deflector, but leave the power-supply cable in the retention-clip.
10. A tie-wrap holds the cable assembly to the mounting bracket for the rightmost fan (when viewed from the front of the node and ignoring the fan on the power supply). Cut this tie-wrap to release the cable assembly.
11. Carefully extract the cable assembly from the node. To do this, you must displace other cables; particularly, the optical drive cables, power-supply cables, and the SATA cables. Minimize disruption to these cables as much as possible.

## Replacing the operator-information panel cable

Use these instructions when you are prompted to replace the operator-information panel cable.

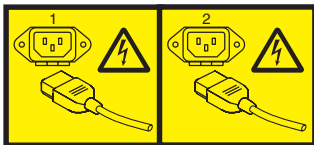
Take precautions to avoid damage from static electricity. Wear an anti-static wrist strap and use a static-protected mat or surface. For more information, see “Handling static-sensitive devices” on page xx.

## Replacing the SAN Volume Controller 2145-CG8 or 2145-CF8 operator-information panel cable

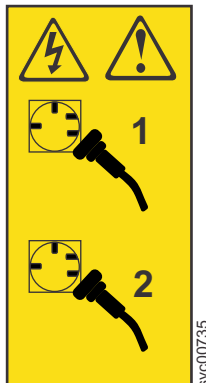
Use these instructions when you are prompted to replace the operator-information panel cable for the SAN Volume Controller 2145-CG8 or 2145-CF8.

### DANGER

**Multiple power cords.** The product might be equipped with multiple power cords. To remove all hazardous voltages, disconnect all power cords. (L003)



or



or



This service action assumes that:

- The node is turned off. If you must turn off the node, ensure that its data is mirrored and synchronized, and that there are no dependent volumes, as described in MAP 5350 in the *IBM System Storage SAN Volume Controller Troubleshooting Guide*.
- The power cables are disconnected.
- The top cover is removed.

Perform the following steps to replace the operator-information panel cable:

1. Read the safety information to which “Preparing to remove and replace parts” on page 26 refers.

2. Thread the new cable from the operator-information panel to the connector above the Video/USB cable connector on the right side of the node, as shown in Figure 235.

The following illustration shows the cable routing for the operator-information panel cable.

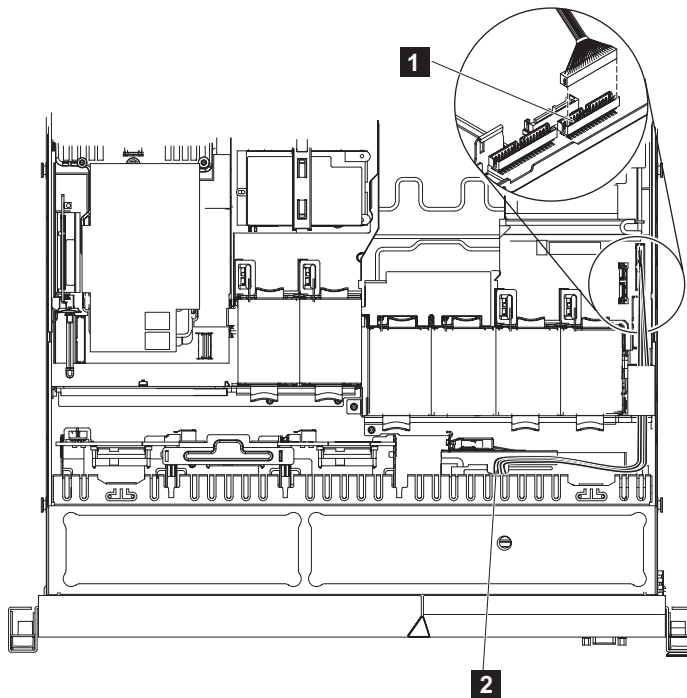


Figure 235. Connecting the SAN Volume Controller 2145-CG8 or 2145-CF8 operator-information panel cable

**1** Operator-information panel connector

**2** Operator-information panel cable

3. Connect the cable to the connector above the Video/USB cable connector on the right side of the node, as shown in Figure 235.
4. Connect the cable to the rear of the operator-information panel.
5. Replace the top cover. See “Replacing the top cover” on page 81.
6. If you removed the node from the rack, replace the node in the rack, as described in “Replacing the SAN Volume Controller in a rack” on page 55.
7. If you removed any Fibre Channel or Ethernet cables, use the labels you placed on each cable to replace all Fibre Channel and Ethernet cables in the same ports from which they were removed.
8. If you removed the power cords, replace the power cords and the cable-retention brackets, as described in “Replacing the cable-retention bracket” on page 39.
9. Lift the locking levers (**1** in Figure 236 on page 238) on the slide rails and push the server **2** all the way into the rack until it clicks into place.

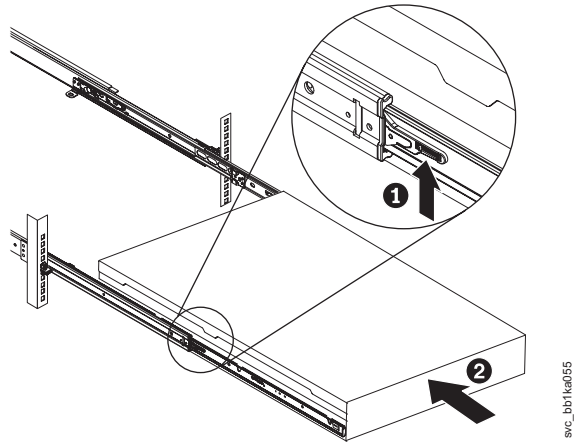


Figure 236. Raising the SAN Volume Controller 2145-CF8 or 2145-CG8 locking levers of the slide rails of the rack

10. Turn on the node.

### Replacing the SAN Volume Controller 2145-8A4 operator-information panel cable

Use these instructions when you are prompted to replace the operator-information panel cable for the SAN Volume Controller 2145-8A4.

Perform the following steps to replace the operator-information panel cable:

1. Connect the two connectors at one end of the operator-information panel cable assembly to the Front USB connector **1** and the Operator-information panel connector **2** on the system board. The connectors are keyed and it is important to insert the correct connector on the cable assembly onto the correct connector on the system board.

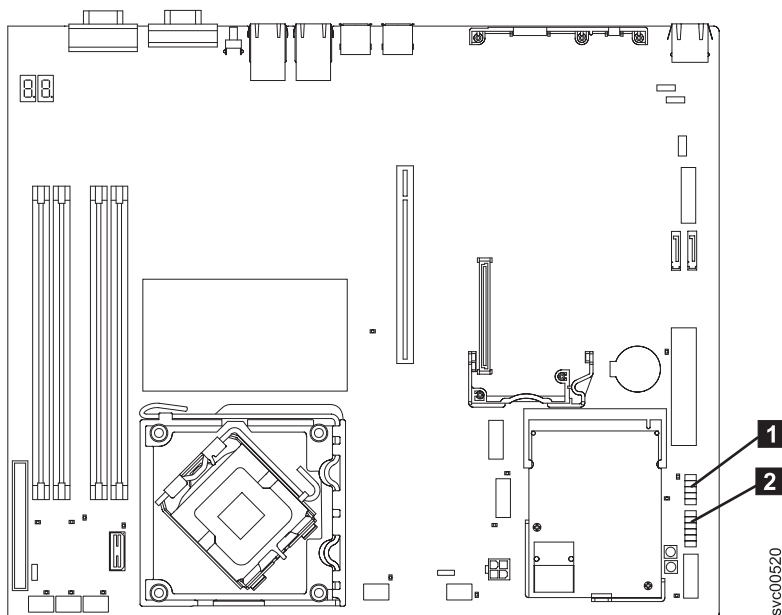


Figure 237. Connectors for the operator-information panel on the SAN Volume Controller 2145-8A4 system board

- 1** Front USB connector
- 2** Operator-information panel connector

2. Route the operator-information panel cable into position along the same path that it was removed from:
  - a. Pass to the right of the mounting bracket for the rightmost fan (when viewed from the front of the node and ignoring the fan on the power supply).
  - b. Go between the fans and the disk drive backplane, under the cable retention-clip, and around the processor fans to the left side of the node.
  - c. Bring it forward to the operator-information panel.
3. Use a tie-wrap to hold the cable assembly to the lower right front corner of the mounting bracket for the rightmost fan.
4. Connect the two connectors on the other end of the cable to the connectors on the operator-information panel board. The connectors are keyed and it is important to insert the correct connector on the cable onto the correct connector on the operator-information panel board.
5. If the backplane was removed, replace the backplane, disk drive, and service controller. See “Removing the disk-drive backplane” on page 126.
6. Rotate the air deflector back into place, making sure not to pinch any cables beneath it, and press it down firmly. Ensure that any other cable that was unplugged or moved is returned to its original position and does not obstruct the top cover of the node.
7. Replace the top cover. See “Replacing the top cover” on page 81.
8. Place the node in the rack. See “Replacing the SAN Volume Controller in a rack” on page 55.
9. Connect the power cable to the node and replace the cable-retention bracket. See “Replacing the cable-retention bracket” on page 39.

## Removing the fans

The SAN Volume Controller fans might have to be replaced due to failure.

### Removing the SAN Volume Controller 2145-CG8 or 2145-CF8 fans

- | You can remove a SAN Volume Controller 2145-CG8 or 2145-CF8 fan.

Take precautions to avoid damage from static electricity. Wear an anti-static wrist strap and use a static-protected mat or surface. For more information, see “Handling static-sensitive devices” on page xx.

**Important:** You can hot swap a fan. However, using MAP 5350 to power off the node through proven methods avoids risking an abrupt power failure on the node, which avoids the possible corruption of data.

Perform the following steps to remove a failed fan:

1. Read the safety information to which “Preparing to remove and replace parts” on page 26 refers.
2. Optional: Follow the procedure in MAP 5350 in the *IBM System Storage SAN Volume Controller Troubleshooting Guide* to verify that the node data is mirrored and synchronized, and that there are no dependent volumes before turning off the node.

**Important:** If you decide to hot swap the fan, use MAP 5350 to make all of the necessary checks that ensure that the partner node in the I/O group can take over all I/O group operations, if necessary, and that there are no dependent volumes (VDisks) on the node. With the partner node available and no dependent volumes on the node, you do not lose access to data if this node accidentally powers off.

- | 3. Slide the node forward to remove the cover and expose the fans, as described in “Removing the SAN Volume Controller 2145-CG8 or 2145-CF8 top cover” on page 77.
- | Figure 238 on page 240 shows fan locations within the SAN Volume Controller 2145-CG8 or 2145-CF8 node.
- |
- |

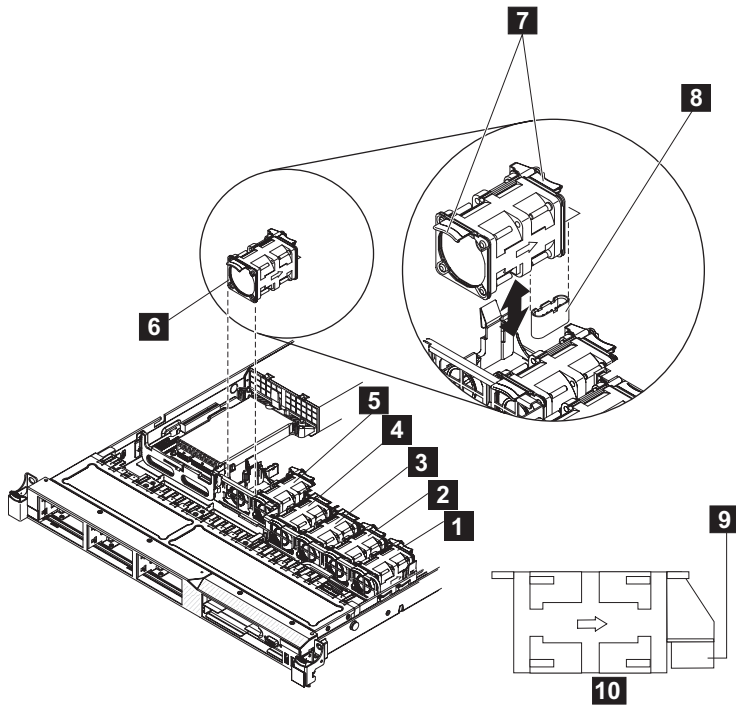


Figure 238. SAN Volume Controller 2145-CG8 or 2145-CF8 fan locations and connectors

- 1** Fan 1
- 2** Fan 2
- 3** Fan 3
- 4** Fan 4
- 5** Fan 5
- 6** Fan 6
- 7** Fan tabs
- 8** Fan connector on the system board
- 9** Fan connector
- 10** Side view of fan showing air-flow indicator

The node has six fan positions that are numbered right to left. The LED near the connector of the failing fan assembly is lit, unless you remove the power cable.

4. Grasp the orange fan tabs on both ends of the existing fan and pull it up out of the node. If you are removing fans 3 or 4, lift up the clear tab on the DIMM air baffle first.

Figure 239 on page 241 shows a fan being removed from the node.

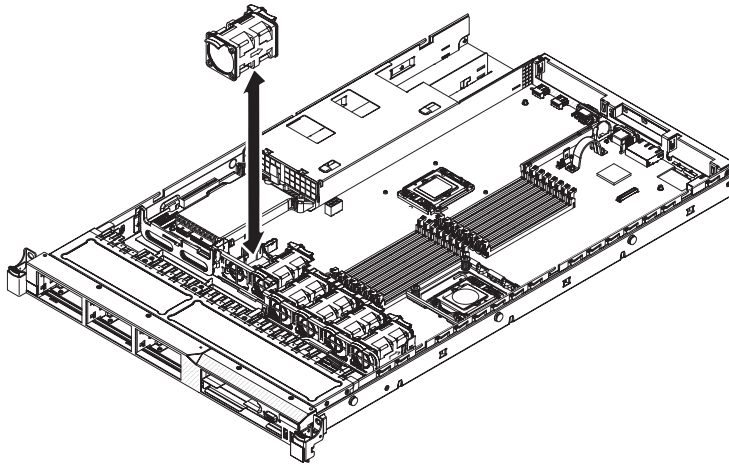


Figure 239. Removing or replacing a fan in the SAN Volume Controller 2145-CG8 or 2145-CF8 node

**Attention:** To ensure proper operation, replace a failed fan within 30 seconds.

5. If you are instructed to return the fan, follow all of the packaging instructions, and use any packaging materials for shipping that are supplied to you.

## Removing the SAN Volume Controller 2145-8A4 fans

Take precautions to avoid damage from static electricity. Wear an anti-static wrist strap and use a static-protected mat or surface. For more information, see “Handling static-sensitive devices” on page xx.

Perform the following steps to remove a failed fan:

1. Turn off the node while ensuring that its data is mirrored and synchronized. See MAP 5350 in the *IBM System Storage SAN Volume Controller Troubleshooting Guide* for more information.
2. Remove the cable-retention bracket and disconnect the power cable from the node. See “Removing the cable-retention bracket” on page 34.
3. Remove the node from the rack and place it on a flat, static-protective surface. See “Removing the SAN Volume Controller from a rack” on page 46.
4. Remove the top cover. See “Removing the top cover” on page 77.
5. Reconnect the power cord and then turn on the node.

**Attention:** Operating the node for extended periods of time (more than 30 minutes) with the cover removed might damage server components.

6. Determine which fan to replace by checking the LEDs on the system board. Each fan has an LED next to it. A lit LED indicates the fan to replace.
7. Turn off the node and then disconnect the power cord again.
8. Remove the failed fan.
  - a. Disconnect the fan cable from the system board.

**Note:** Make a note of the routing of the fan cable to the connector. You will have to route the fan cable the same way when you install the fan.

- b. Grasp the top of the fan with your index finger and thumb and lift the fan out of the server.

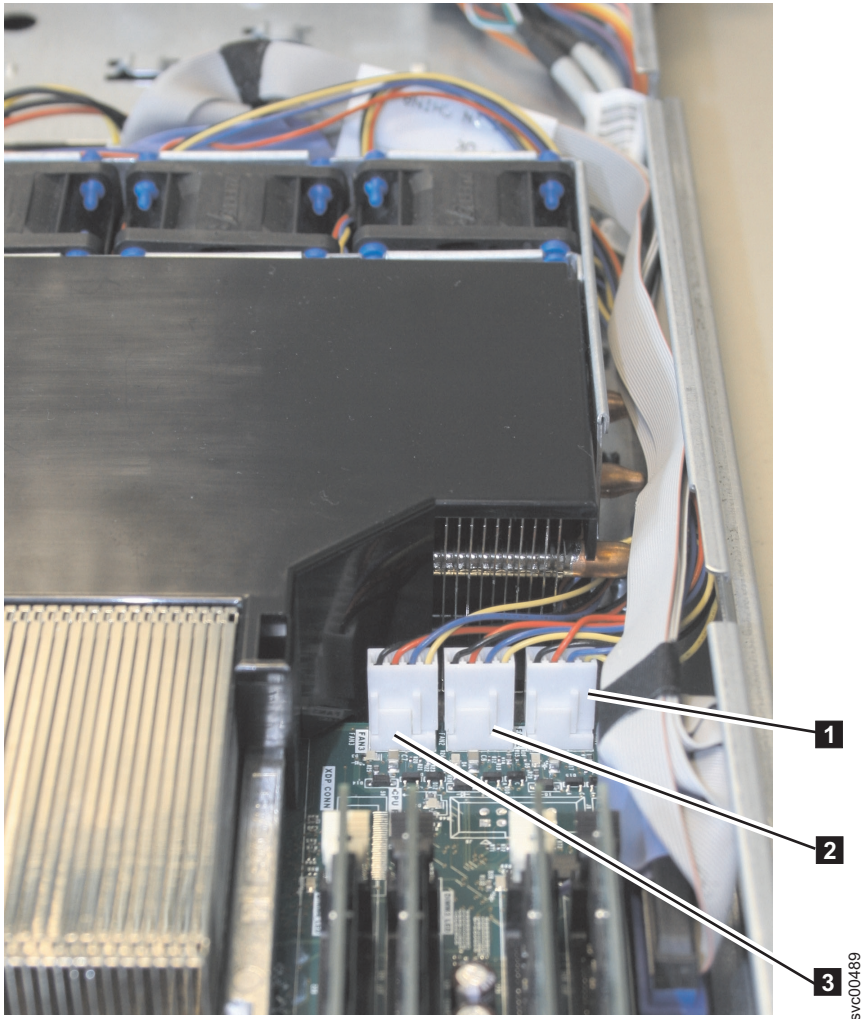


Figure 240. Connectors for the SAN Volume Controller 2145-8A4 heat exchange fans

- 1** Fan 3
- 2** Fan 2
- 3** Fan 1

## Removing the SAN Volume Controller 2145-8G4 fans

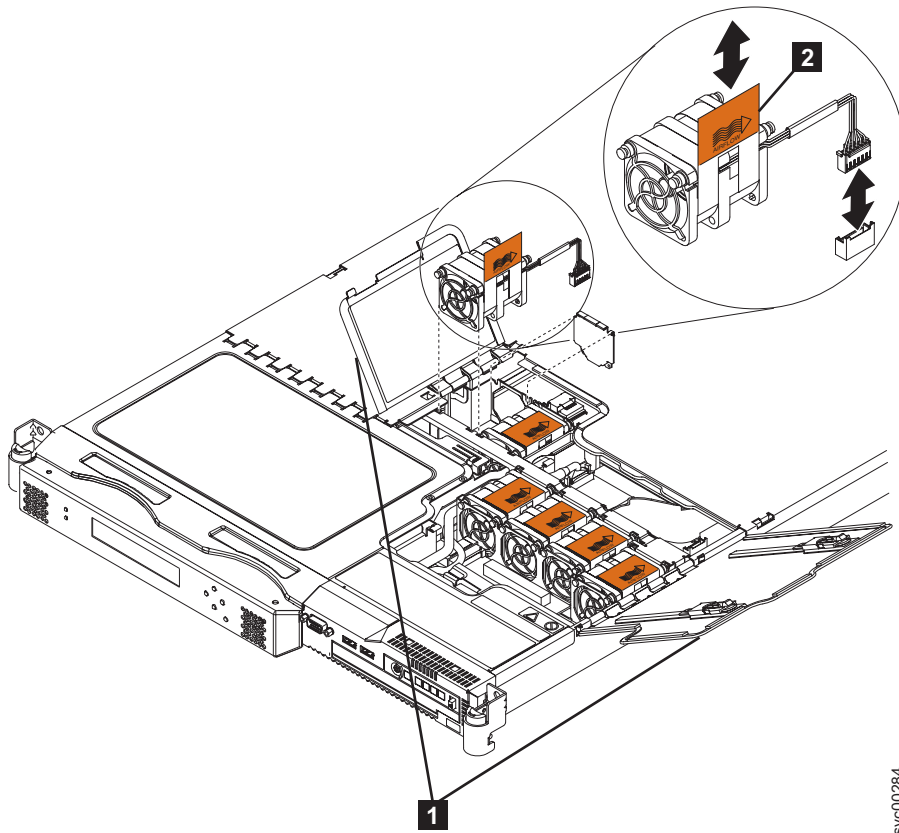
Take precautions to avoid damage from static electricity. Wear an anti-static wrist strap and use a static-protected mat or surface. For more information, see “Handling static-sensitive devices” on page xx.

Perform the following steps to remove a failed fan:

1. Turn off the node while ensuring that its data is mirrored and synchronized. See MAP 5350 in the *IBM System Storage SAN Volume Controller Troubleshooting Guide* for more information.
2. Slide the node forward to gain access to the fan doors (**1** in Figure 241 on page 243).
3. Open the fan door for the failing fan. The LED near the connector of the failing fan assembly is lit, unless you remove the power cable.

**Note:** The node has six fan positions that are numbered left to right under the two fan doors.





svc00284

Figure 241. SAN Volume Controller 2145-8G4 fan doors, locations, and connectors

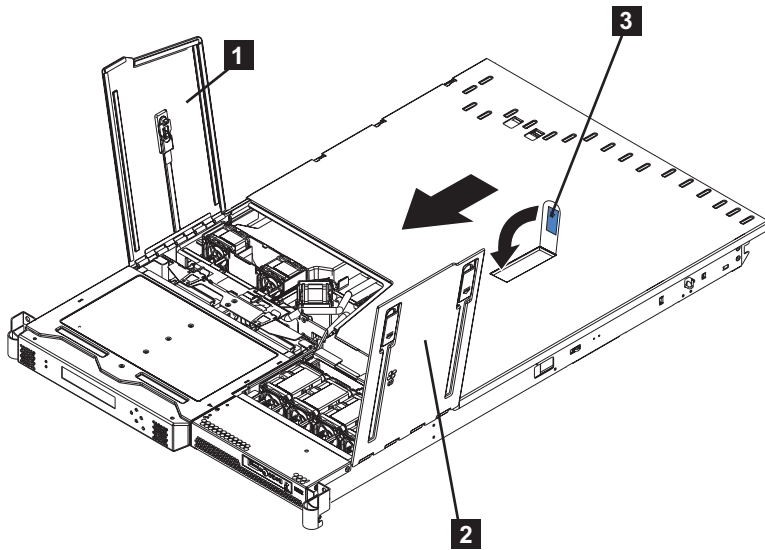
4. Disconnect the cable of the failing fan from the connector on the system board by pressing the release latch on the plug at the end of the cable.
5. Pull up on the orange tab (**2** in Figure 241) of the failing fan to lift the fan out of the node.

## Removing the SAN Volume Controller 2145-8F4 or SAN Volume Controller 2145-8F2 fans

Ensure that you are aware of the procedures for handling static-sensitive devices before you remove the SAN Volume Controller 2145-8F4 or SAN Volume Controller 2145-8F2 fans.

Perform the following steps to remove a failed fan:

1. Turn off the node while ensuring that its data is mirrored and synchronized. See MAP 5350 in the *IBM System Storage SAN Volume Controller Troubleshooting Guide* for more information.
2. From the management GUI home page, click **System Status** and select the node to remove. Click **Manage > Remove Node**.
3. Open the fan door where the failed fan resides. Fans 1, 2, and 3 are under fan door A **1**. Fans 4 through 7 are under fan door B **2**, as shown in Figure 242 on page 244.

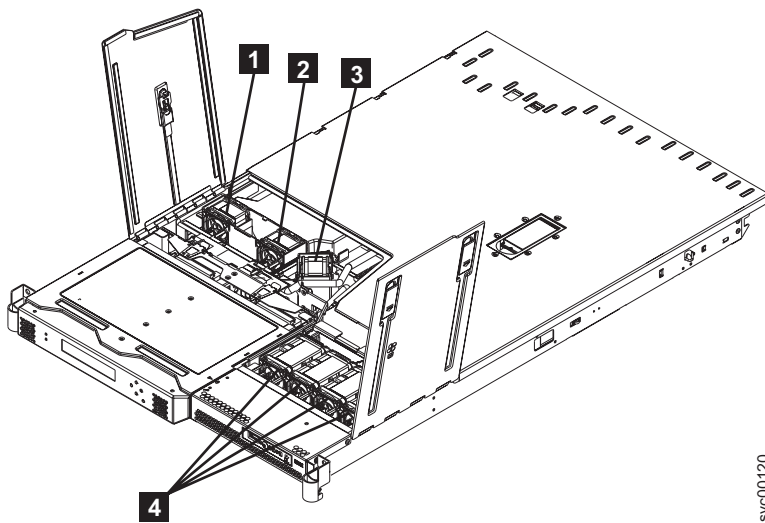


svc00087

Figure 242. SAN Volume Controller 2145-8F2 with the access doors open

- 1** Fan door A
- 2** Fan door B

4. Disconnect the cable of the failing fan from the connector. Figure 243 shows the location of the fans.



svc00120

Figure 243. SAN Volume Controller 2145-8F2 fan locations

- 1** Fan 1
- 2** Fan 2
- 3** Fan 3
- 4** Fans 4, 5, 6, and 7

5. Pull up on the orange tab on the side of the failing fan.
6. Lift the fan out of the node.

## Replacing the fans

You might have to replace one or more SAN Volume Controller fans if they fail.

## Replacing the SAN Volume Controller 2145-CG8 or 2145-CF8 fans

Replace any of the six fans in a SAN Volume Controller 2145-CG8 or 2145-CF8 node.

**Attention:** To ensure proper operation, replace a failed fan within 30 seconds.

Take precautions to avoid damage from static electricity. Wear an anti-static wrist strap and use a static-protected mat or surface. For more information, see “Handling static-sensitive devices” on page xx.

**Important:** You can hot swap a fan. However, using MAP 5350 to power off the node through proven methods avoids risking an abrupt power failure on the node, which avoids the possible corruption of data.

Perform the following steps to replace a fan:

1. Read the safety information to which “Preparing to remove and replace parts” on page 26 refers.
2. Optional: Follow the procedure in MAP 5350 in the *IBM System Storage SAN Volume Controller Troubleshooting Guide* to verify that the node data is mirrored and synchronized, and that there are no dependent volumes before turning off the node.

**Important:** If you decide to hot swap the fan, use MAP 5350 to make all of the necessary checks that ensure that the partner node in the I/O group can take over all I/O group operations, if necessary, and that there are no dependent VDisks on the node. With the partner node available and no dependent VDisks on the node, you do not lose access to data if this node accidentally powers off.

3. Slide the node forward to remove the cover and expose the fans and fan connectors, as described in “Removing the SAN Volume Controller 2145-CG8 or 2145-CF8 top cover” on page 77.

Figure 244 shows fan locations within the SAN Volume Controller 2145-CG8 or 2145-CF8 node.

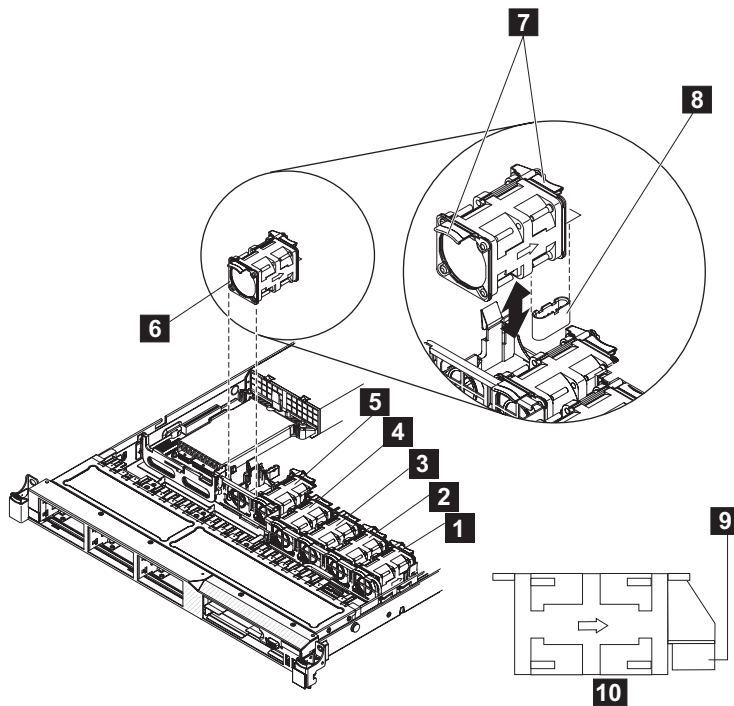


Figure 244. SAN Volume Controller 2145-CG8 or 2145-CF8 fan locations and connectors

- 1 Fan 1
- 2 Fan 2
- 3 Fan 3

- | **4** Fan 4
- | **5** Fan 5
- | **6** Fan 6
- | **7** Fan tabs
- | **8** Fan connector on the system board
- | **9** Fan connector
- | **10** Side view of fan showing air-flow indicator

The node has six fan positions that are numbered from right to left.

4. Orient the new fan over the appropriate fan slot in the fan-assembly bracket so that the fan connector aligns with the connector on the system board.

This alignment assures that the air-flow indicator arrow on the side of the fan is pointing to the rear of the node.

Figure 245 shows a fan being replaced.

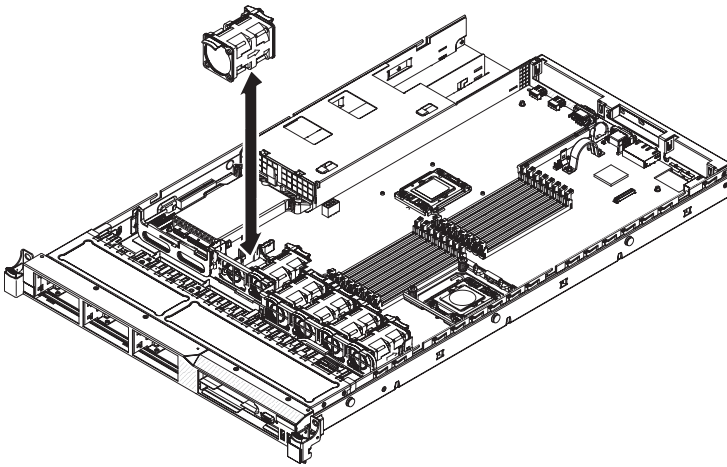


Figure 245. Removing or replacing a fan in the SAN Volume Controller 2145-CG8 or 2145-CF8 node

5. Insert the fan into the fan slot in the fan-assembly bracket and press it down until it is seated correctly in the slot and the fan connector is seated correctly in the connector on the system board.
6. Make sure that all cables, adapters, and other components are installed and seated correctly and that you have not left loose tools or parts inside the node. Make sure that all internal cables are correctly routed. If you disconnected the Fibre Channel and Ethernet cables, make sure that each cable is reconnected to the same port from which it was removed.
7. Replace the top cover. See “Replacing the top cover” on page 81.
8. If you removed the node from the rack, replace the node in the rack, as described in “Replacing the SAN Volume Controller in a rack” on page 55.
9. If you removed any Fibre Channel or Ethernet cables, use the labels you placed on each cable to replace all Fibre Channel and Ethernet cables in the same ports from which they were removed.
10. If you removed the power cords, replace the power cords and the cable-retention brackets, as described in “Replacing the cable-retention bracket” on page 39.
11. Lift the locking levers ( **1** in Figure 246 on page 247) on the slide rails and push the server **2** all the way into the rack until it clicks into place.

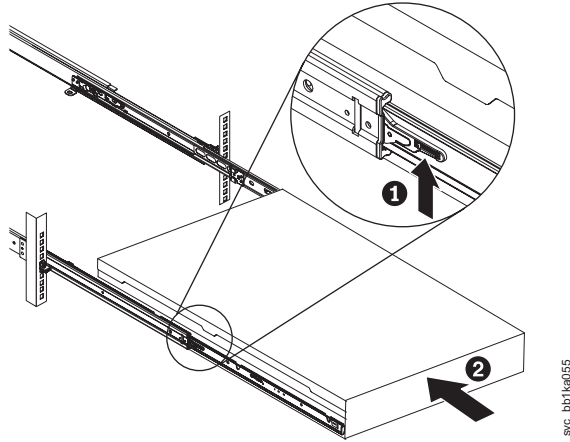


Figure 246. Raising the SAN Volume Controller 2145-CF8 or 2145-CG8 locking levers of the slide rails of the rack

12. Turn on the node.

### Replacing the SAN Volume Controller 2145-8A4 fans

This topic describes how to replace the SAN Volume Controller 2145-8A4 fans.

Take precautions to avoid damage from static electricity. Wear an anti-static wrist strap and use a static-protected mat or surface. For more information, see “Handling static-sensitive devices” on page xx.

Perform the following steps to replace a failed fan:

1. Position the replacement fan, shown in Figure 247 on page 248, so that the airflow arrow on the side of the fan points toward the rear of the node.

**Note:** Correct airflow is from the front to the rear of the node.

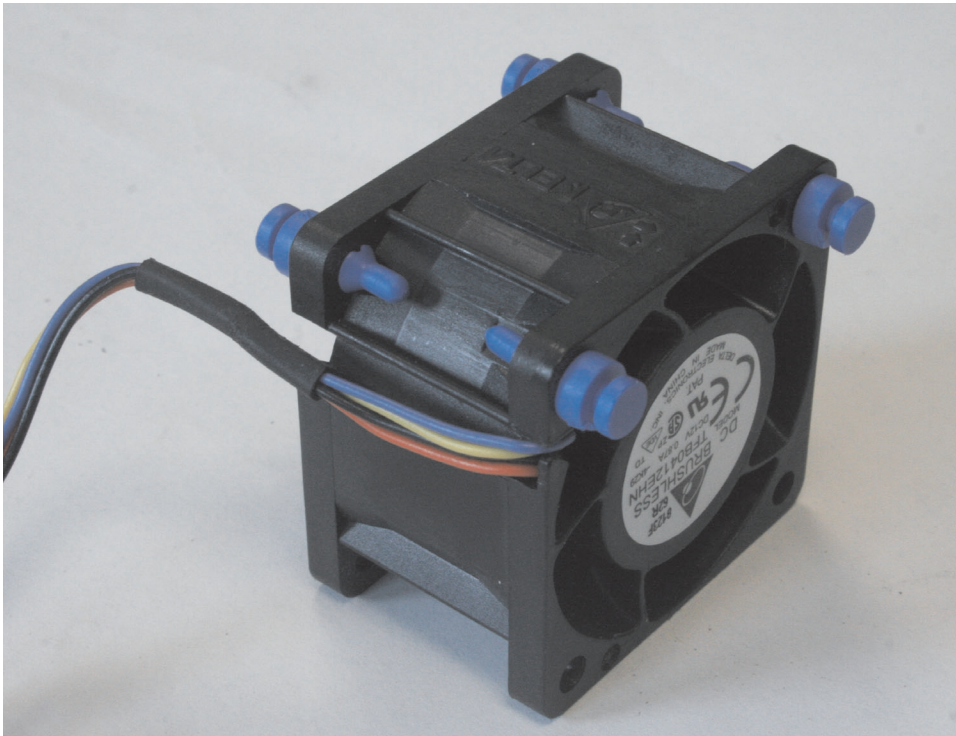


Figure 247. A close up of the SAN Volume Controller 2145-8A4 fan

2. Install the replacement fan in the bracket:
  - a. Make sure that the fan cable sits in the channel **1**, as shown in Figure 248, on the side of the fan.
  - b. Route the fan cable into its slot in the fan bracket top and then insert the fan into the bracket.
  - c. Make sure that each of the soft blue tabs on the fan is fully seated in its slot in the fan bracket.

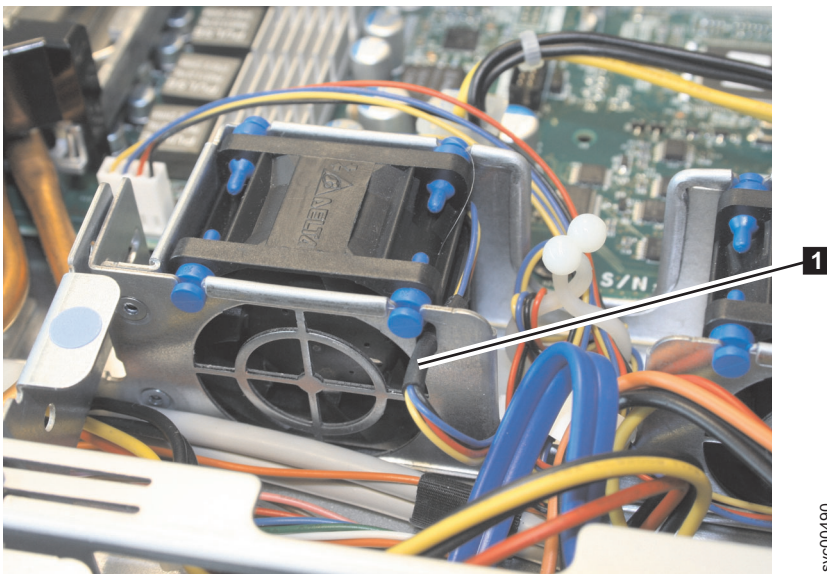


Figure 248. Routing the SAN Volume Controller 2145-8A4 fan cable

- d. Reconnect the fan cable to the system board, routing the cable in the same way as it was originally.
3. Connect the cable of the replacement fan into the system-board connector.

4. Replace the top cover. See “Replacing the top cover” on page 81.
5. Place the node in the rack. See “Replacing the SAN Volume Controller in a rack” on page 55.
6. Replace the cable-retention bracket. See “Replacing the cable-retention bracket” on page 39.
7. Turn on the node.

## Replacing the SAN Volume Controller 2145-8G4 fans

This topic describes how to replace the SAN Volume Controller 2145-8G4 fans.

Take precautions to avoid damage from static electricity. Wear an anti-static wrist strap and use a static-protected mat or surface. For more information, see “Handling static-sensitive devices” on page xx. The replacement procedures in this topic assume that the following are true:

- The failed fan is removed
- The node power is turned off
- The node is removed from the rack

Perform the following steps to replace a failed fan:

1. Orient the new fan in the same position as the fan that you removed. Make sure that the airflow indicator on the orange tab, (**2** in Figure 249) is pointing to the rear of the node.

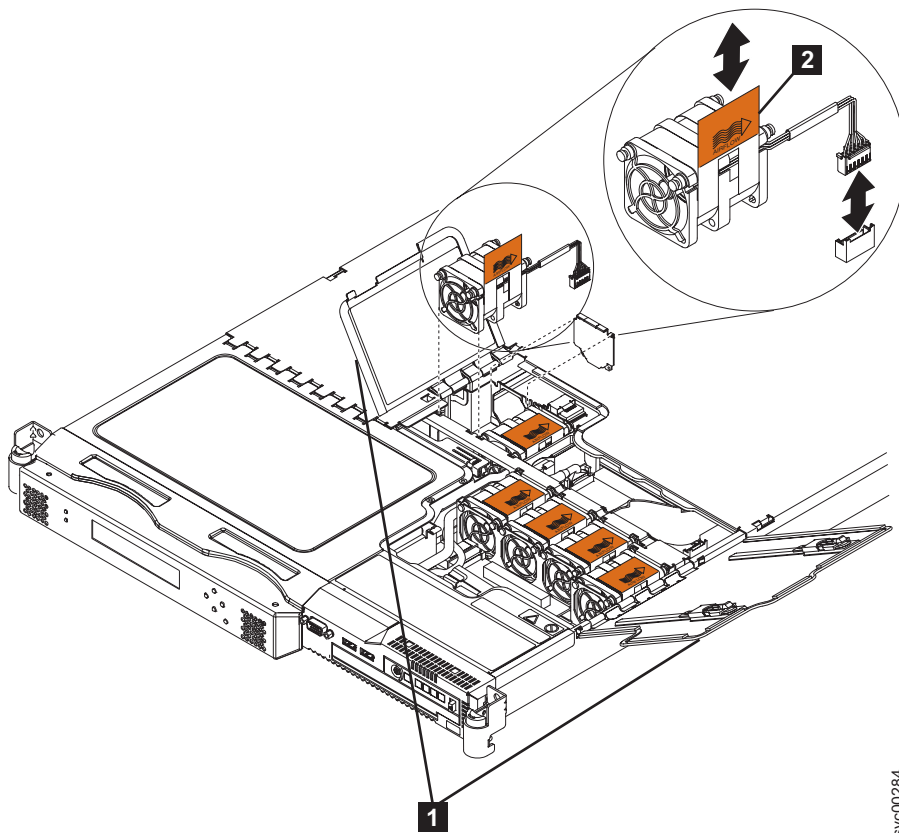


Figure 249. SAN Volume Controller 2145-8G4 fan doors, locations, and connectors

2. Push the fan assembly down into the server until the blue mounting grommets are correctly seated.
3. Connect the cable of the replacement fan into the system board connector.
4. Close the fan door **1**.
5. Place the node in the rack. See “Replacing the SAN Volume Controller in a rack” on page 55.
6. Turn on the node.

## Replacing the SAN Volume Controller 2145-8F4 or SAN Volume Controller 2145-8F2 fans

Take precautions to avoid damage from static electricity. Wear an anti-static wrist strap and use a static-protected mat or surface. For more information, see “Handling static-sensitive devices” on page xx. The replacement procedures in this topic assume that the following are true:

- The failed fan is removed
- The node power is turned off
- The node is removed from the rack

Perform the following steps to replace the SAN Volume Controller 2145-8F4 or SAN Volume Controller 2145-8F2 fans:

1. Orient the new fan in the same position as the fan you removed. Make sure that the airflow indicator, on top of the fan, is pointing to the rear of the server.
2. Push the fan assembly down into the server until the blue grommets are correctly seated.
3. Connect the cable of the replacement fan into the connector.
4. Close the fan door.
5. Replace the top cover. See “Replacing the top cover” on page 81.
6. Place the node in the rack. See “Replacing the SAN Volume Controller in a rack” on page 55.
7. Reconnect the cables and power cords that were removed.
8. Turn on the node.

## Removing the SAN Volume Controller 2145-8F2 or SAN Volume Controller 2145-8F4 fan holder and fan backplanes

The fan holder with fan backplanes field-replaceable unit (FRU) is supplied as a kit of parts. Replace only the failed assembly and discard any unused part.

Perform the following steps to remove the fan holder with fan backplane:

1. Turn off the node while ensuring that its data is mirrored and synchronized. See MAP 5350 in the *IBM System Storage SAN Volume Controller Troubleshooting Guide* for more information.
2. To make sure that you can replace all cables in the same ports from which they were removed, record the position of all Fibre Channel and Ethernet cables; then remove all cables from the back of the node.
3. Remove the node from the rack and place it on a flat, static-protective surface. See “Removing the SAN Volume Controller from a rack” on page 46.
4. Remove the top cover. See “Removing the top cover” on page 77.
5. Unplug the fans from the fan backplane.
6. Remove the screws and set them in a safe place.
7. Disconnect the fan cable.
8. Pull the fan bracket out of the node.

## Replacing the SAN Volume Controller 2145-8F2 or SAN Volume Controller 2145-8F4 fan holder and fan backplanes

The fan holder with fan backplanes field-replaceable unit (FRU) is supplied as a kit of parts. Replace only the failed assembly and discard any unused part.

Perform the following steps to replace the fan holder with fan backplane:

1. Place the fan bracket into the node.
2. Connect the fan cable.



3. Replace the screws that you had set aside.
4. Plug the fans into the fan backplane.
5. Replace the top cover.
6. Replace the node in the rack.
7. Connect all power cords and external cables into the back of the node.
8. Turn on the node.

**Tip:** When reinstalling the fan brackets on the front right side of the node, remove the cage assembly that holds the disk drive and service controller and remove the fan cable cover. Pull the cable loose before plugging it into the fan backplane, then install the fan holder and backplane assembly in the node.

## Removing the microprocessor

You can remove the microprocessor that is used in the SAN Volume Controller nodes.

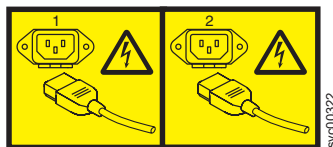
Take precautions to avoid damage from static electricity. Wear an anti-static wrist strap and use a static-protected mat or surface. For more information, see “Handling static-sensitive devices” on page xx.

### Removing the SAN Volume Controller 2145-CG8 or 2145-CF8 microprocessor

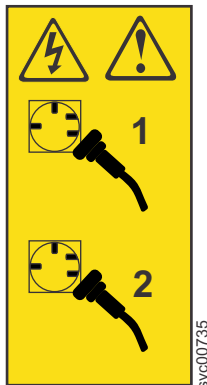
Use this information to remove the SAN Volume Controller 2145-CG8 or 2145-CF8 microprocessor and heat sink.

#### DANGER

**Multiple power cords. The product might be equipped with multiple power cords. To remove all hazardous voltages, disconnect all power cords. (L003)**



or



or



To correctly perform this task, you must have alcohol wipes and thermal grease available. If you do not already have them, order these separately.

This service action requires you to remove the cover and:

- Turn the node off.
- Disconnect the power cables.
- Disconnect the data cables.

**Attention:**

- Do not permit the thermal grease on the microprocessor and heat sink to come in contact with anything. Contact with any surface can compromise the thermal grease and the microprocessor socket.
- Use great care when handling microprocessors. Dropping the microprocessor during installation or removal can damage the contacts.
- Do not touch the microprocessor contacts; handle the microprocessor by the edges only. Contaminants on the microprocessor contacts, such as oil from your skin, can cause connection failures between the contacts and the socket.

To remove a microprocessor and heat sink, complete the following steps:

1. Read the safety information to which “Preparing to remove and replace parts” on page 26 refers.
2. Follow the procedure in MAP 5350 in the *IBM System Storage SAN Volume Controller Troubleshooting Guide* to verify that the node data is mirrored and synchronized, and that there are no dependent volumes before turning off the node.
3. Slide the node out on its slide rails to the fully extended position.  
You can perform most service actions when the node is fully extended from the rack on its slide rails. You can leave the Fibre Channel and Ethernet cables connected, if you are using the cable-management arm and if you are not removing the node from the rack. If the location of the node in the rack is too high or too low to work comfortably, you can remove the node from the rack.
4. When the node is completely turned off, remove the cable-retention brackets and disconnect the power cables, as described in “Removing the cable-retention bracket” on page 34.
5. To make sure that you can replace all cables in the same ports from which they were removed, label the port position of each Fibre Channel and Ethernet cable; then remove all cables from the back of the node.
6. Optional: Remove the node from the rack and place it on a flat, static-protective surface. See “Removing the SAN Volume Controller from a rack” on page 46.
7. Remove the top cover. See “Removing the top cover” on page 77.
8. Disconnect any cables that impede access to the heat sink ( **3** in Figure 250) and the microprocessor ( **1**).

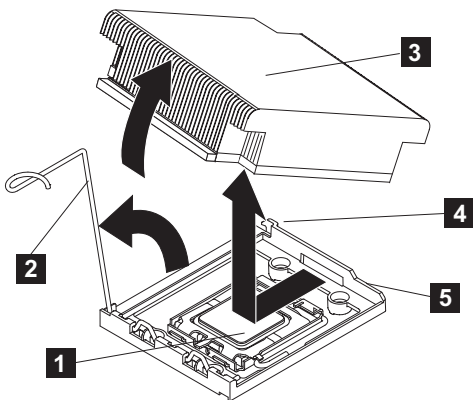


Figure 250. Removing the heat sink from the SAN Volume Controller 2145-CG8 or 2145-CF8 microprocessor

- 1** Microprocessor
- 2** Heat-sink release lever
- 3** Heat sink
- 4** Lock tab
- 5** Retainer bracket

9. Push the heat-sink release lever (**2**) down and away from the processor, then lift the lever until it is perpendicular to the system board.
10. Lift the heat sink from the side nearest the lever, in its upright position and remove. After removal, place the heat sink on its side on a clean, flat surface.
11. Release the microprocessor-release lever (**2** in Figure 251), by pressing down on the curved end of the lever, moving that end away from the middle of the processor, and releasing the lever up to the open position.

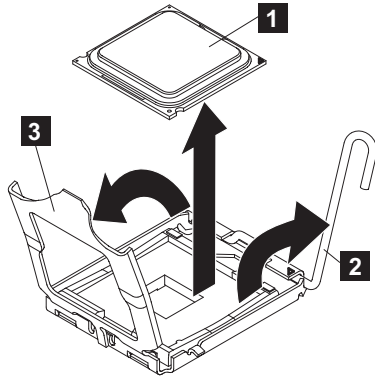


Figure 251. Opening the SAN Volume Controller 2145-CG8 or 2145-CF8 microprocessor-bracket frame

- 1** Microprocessor
- 2** Microprocessor-release lever
- 3** Microprocessor-bracket frame

12. Open the microprocessor-bracket frame by lifting the tab that is on the top edge. Keep the bracket frame in the open position, as shown in Figure 251.
13. Locate the microprocessor installation tool that comes with the new microprocessor.
14. Align the microprocessor installation tool with the screws on the microprocessor bracket and attach the tool to the microprocessor.
  - Align the holes on the installation tool with the screws on the microprocessor bracket, then place the microprocessor installation tool down over the microprocessor.
  - Twist the handle clockwise to attach the tool to the microprocessor.
  - You can pick up or release the microprocessor by twisting the microprocessor installation tool handle.

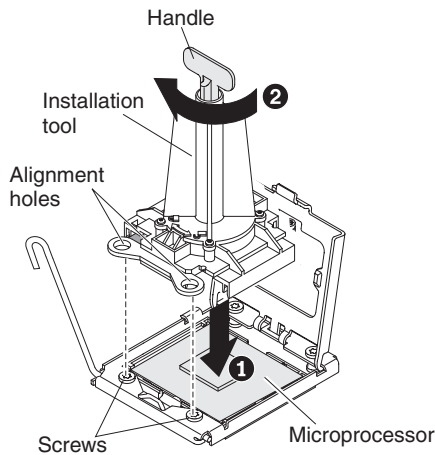


Figure 252. Aligning the microprocessor installation tool

15. Carefully lift the microprocessor straight up and out of the socket, and place it on a static-protective surface. Be careful to touch only the edges of the microprocessor. Remove the microprocessor from the installation tool by twisting the handle counterclockwise.

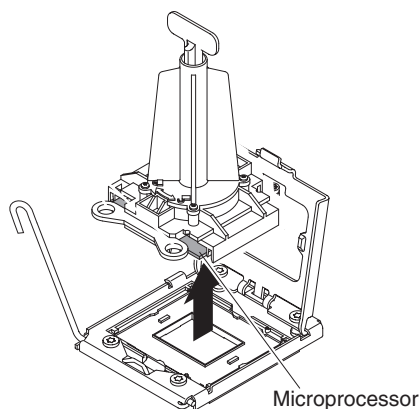


Figure 253. Lifting the microprocessor out of the microprocessor bracket frame

16. If you are instructed to return the microprocessor, follow all packaging instructions, and use any packaging materials for shipping that are supplied to you.

### Removing the SAN Volume Controller 2145-8A4 microprocessor

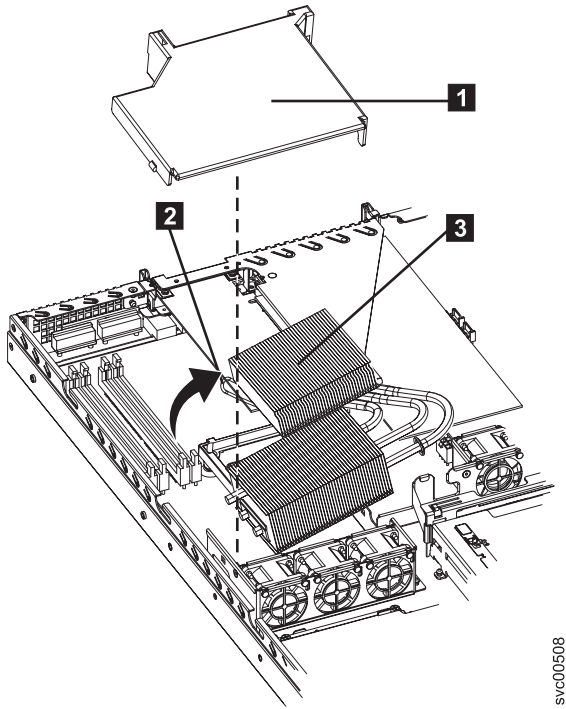
Use this information to remove the SAN Volume Controller 2145-8A4 microprocessor.

You must order alcohol wipes and thermal grease separately, if you do not already have them, to correctly perform this task.

To remove the microprocessor, complete the following steps:

1. Turn off the node while ensuring that its data is mirrored and synchronized. See MAP 5350 in the *IBM System Storage SAN Volume Controller Troubleshooting Guide* for more information.
2. Remove the cable-retention bracket and disconnect the power cable from the node. See “Removing the cable-retention bracket” on page 34.
3. Remove the node from the rack and place it on a flat, static-protective surface. See “Removing the SAN Volume Controller from a rack” on page 46.
4. Remove the top cover. See “Removing the top cover” on page 77.

5. Remove the air baffle ( **1** in Figure 254). Grasp the air baffle by the leftmost and rightmost rear corners and lift it up out of the node.



svc00508

Figure 254. SAN Volume Controller 2145-8A4 air baffle and heat-exchanger assembly

6. Open the heat-exchanger-assembly release latch ( **2** in Figure 254) to the fully open position.
7. Lift the side of the heat-exchanger assembly ( **3** in Figure 254) that is closer to the middle of the node, slide it toward the middle of the node slightly, and lift the entire assembly out of the node.
8. Open the microprocessor release latch to the fully open position.

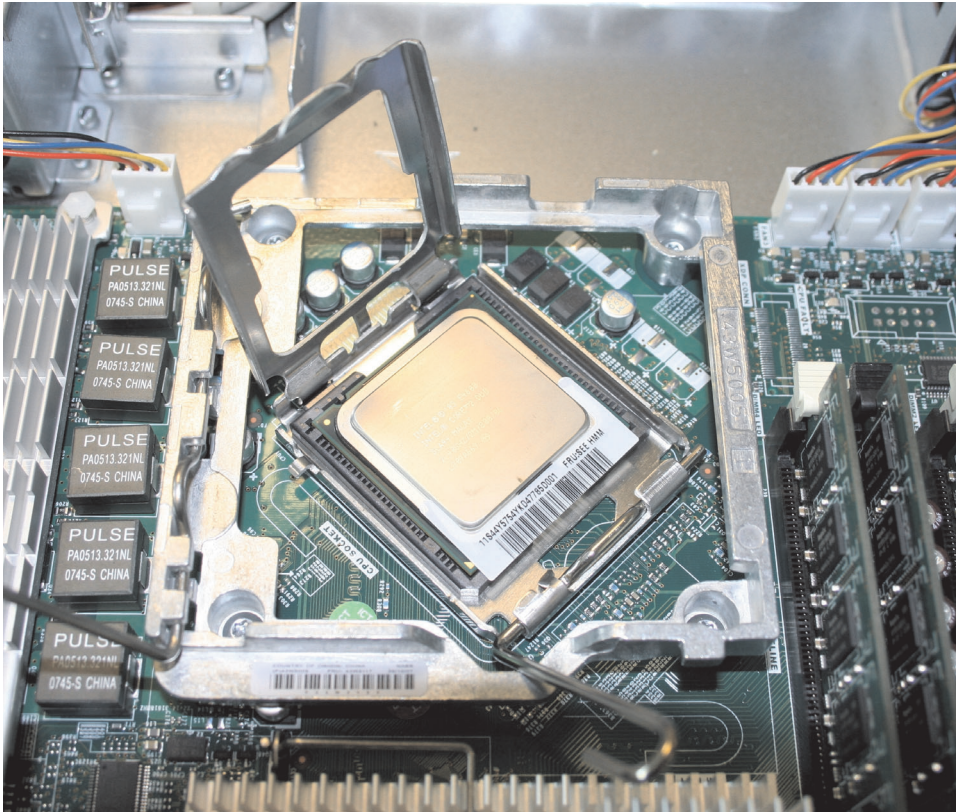


Figure 255. The SAN Volume Controller 2145-8A4 microprocessor bracket frame fully opened

9. Open the microprocessor bracket frame.

**Note:** Handle the microprocessor carefully. Dropping the microprocessor during removal can damage the contacts. Also, contaminants on the microprocessor contacts, such as oil from your skin, can cause connection failures between the contacts and the socket.

10. Remove the microprocessor:
  - a. Carefully lift the microprocessor straight up and out of the socket, without touching the microprocessor contacts.
  - b. Place the microprocessor on a static-protective surface.

### Removing the SAN Volume Controller 2145-8G4 microprocessor

Use this information to remove the SAN Volume Controller 2145-8G4 microprocessor and heat sink.

To correctly perform this task, you must have alcohol wipes and thermal grease available. If you do not already have them, order these separately.

#### Attention:

- Do not allow the thermal grease on the microprocessor and heat sink to come in contact with anything. Contact with any surface can compromise the thermal grease and the microprocessor socket.
- Use great care when handling microprocessors. Dropping the microprocessor during installation or removal can damage the contacts.
- Do not touch the microprocessor contacts; handle the microprocessor by the edges only. Contaminants on the microprocessor contacts, such as oil from your skin, can cause connection failures between the contacts and the socket.

To remove a microprocessor and heat sink, complete the following steps:

1. Turn off the node while ensuring that its data is mirrored and synchronized. See MAP 5350 in the *IBM System Storage SAN Volume Controller Troubleshooting Guide* for more information.
2. Remove the top cover. See “Removing the top cover” on page 77.
3. Remove the heat sink (**1** in Figure 256). Loosen two captive screws on alternate sides of the heat sink fully before loosening the other two captive screws. (This helps to break the bond between the heat sink and the microprocessor.) After the captive screws are loosened, remove the heat sink.

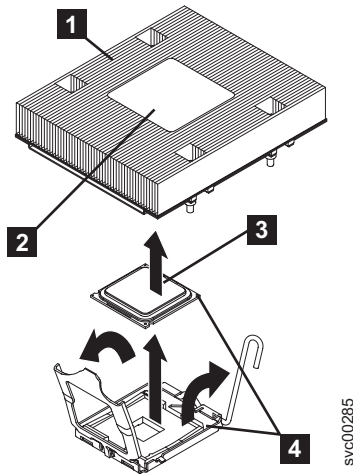


Figure 256. Removing the heat sink from the microprocessor

- 1** Heat sink
- 2** Heat sink installation label
- 3** Microprocessor
- 4** Alignment indicator

4. Open the microprocessor release lever (**1** in Figure 257) to the fully open position.

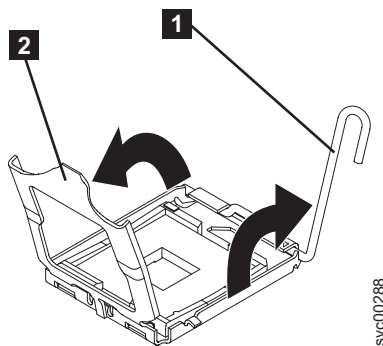


Figure 257. The microprocessor release lever and bracket frame fully opened

- 1** Microprocessor release lever
- 2** Microprocessor bracket frame

5. Open the microprocessor bracket frame (**2** in Figure 257).
6. Carefully remove the microprocessor from the socket. Be careful to only touch the edges of the microprocessor.

## Removing the SAN Volume Controller 2145-8F4 or SAN Volume Controller 2145-8F2 microprocessor

The SAN Volume Controller 2145-8F4 or SAN Volume Controller 2145-8F2 must always be fitted with both microprocessors to function correctly.

Figure 258 shows the microprocessors and voltage regulator modules (VRMs).

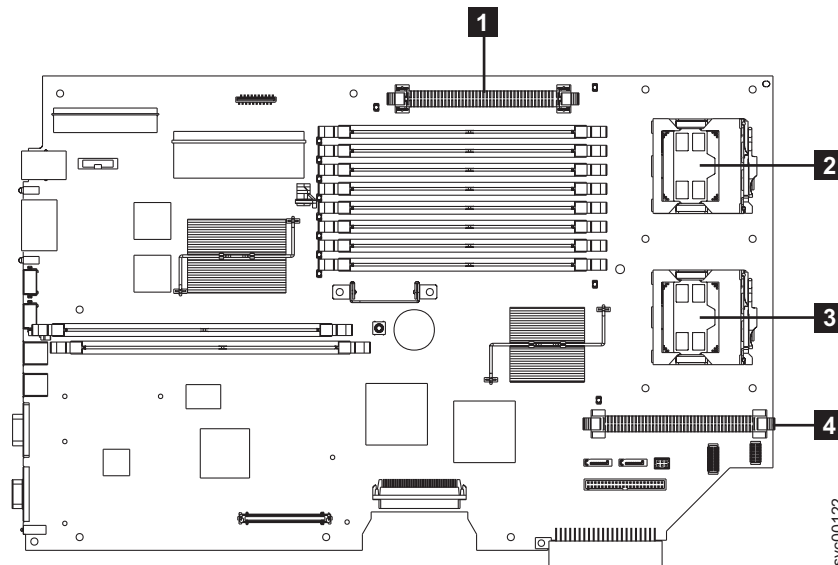


Figure 258. Location of the microprocessor and VRM sockets

- 1 VRM 1
- 2 Microprocessor 1
- 3 Microprocessor 2
- 4 VRM 2

Each microprocessor is matched with a VRM and a heat sink. When removing the microprocessor, you must first remove the heat sink.

Perform the following steps to remove a microprocessor:

1. Turn off the node while ensuring that its data is mirrored and synchronized. See MAP 5350 in the *IBM System Storage SAN Volume Controller Troubleshooting Guide* for more information.
2. To make sure that you can replace all cables in the same ports from which they were removed, record the position of all Fibre Channel and Ethernet cables; then remove all cables from the back of the node.
3. Remove the node from the rack and place it on a flat, static-protective surface. See “Removing the SAN Volume Controller from a rack” on page 46.
4. Remove the top cover. See “Removing the top cover” on page 77.
5. Fully loosen one captive screw before loosening the other captive screw. This helps to break the bond between the heat sink and the microprocessor.
6. Remove the heat sink.

**Important:** Be careful when handling the microprocessor and heat sink. If you wish to reuse the thermal grease between the heat sink and the microprocessor, do not contaminate it. If thermal grease is supplied with your replacement microprocessor, remove all traces of the used thermal grease before applying the new grease.



7. Rotate the microprocessor socket lever arm upward to its maximum vertical position.
8. Remove the microprocessor from the socket.

## Replacing the microprocessor

Use this topic when you are required to replace a microprocessor.

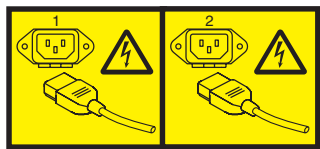
Take precautions to avoid damage from static electricity. Wear an anti-static wrist strap and use a static-protected mat or surface. For more information, see “Handling static-sensitive devices” on page xx.

## Replacing the SAN Volume Controller 2145-CG8 or 2145-CF8 microprocessor

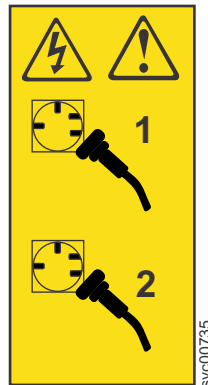
You need one alcohol wipe and one thermal grease syringe to replace the microprocessor. If you do not already have these, order them before you begin to replace the part.

### DANGER

**Multiple power cords. The product might be equipped with multiple power cords. To remove all hazardous voltages, disconnect all power cords. (L003)**



or



or



To correctly perform this task, you must have alcohol wipes and thermal grease available. If you do not already have them, order these separately.

This procedure is based on the following assumptions:

- You are a trained IBM service technician.
- You removed all power from the node.
- You removed the node from the rack.
- You removed the top cover of the node.
- You removed the microprocessor that is being replaced.

Furthermore, always replace the microprocessor in microprocessor socket one.

**Attention:** Removing the heat sink from the microprocessor destroys the even distribution of the thermal grease and requires replacing the thermal grease.

If the thermal-grease protective cover (for example, a plastic cap or tape liner) is removed from the heat sink, do not touch the thermal grease on the bottom of the heat sink or set down the heat sink.

Perform the following steps to replace the microprocessor and heat sink:

1. To open the socket in preparation for inserting the microprocessor, press down and out on the release lever ( **2** in Figure 259 as you did to remove the microprocessor, and lift up the microprocessor-release lever until it stops in the fully open position.

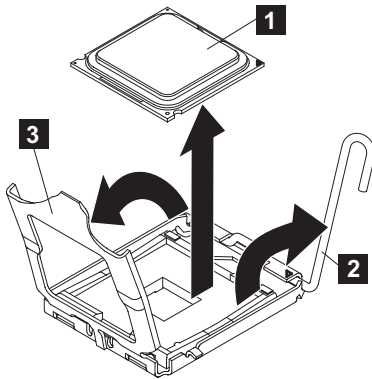


Figure 259. Opening the SAN Volume Controller 2145-CG8 or 2145-CF8 microprocessor-bracket frame

- 1** Microprocessor
- 2** Microprocessor-release lever
- 3** Microprocessor-bracket frame

2. Lift the hinged microprocessor-bracket frame into an open position and remove the microprocessor dust cover, tape, or label from the surface of the microprocessor socket, if one is present. Store the dust cover in a safe place.

**Attention:** When you handle static-sensitive devices, take precautions to avoid damage from static electricity.

3. Touch the static-protective package that contains the new microprocessor to any *unpainted* metal surface on the node; then, remove the microprocessor from the package.
  - Do not touch the microprocessor contacts; handle the microprocessor by the edges only. Contaminants on the microprocessor contacts, such as oil from your skin, can cause connection failures between the contacts and the socket.
  - Handle the microprocessor carefully. Dropping the microprocessor during installation or removal can damage the contacts.
  - Do not use excessive force when you press the microprocessor into the socket.
  - Verify that the microprocessor is oriented, aligned, and positioned in the socket before you try to close the lever.
  - If there is a plastic protective cover on the bottom of the microprocessor, carefully remove it.

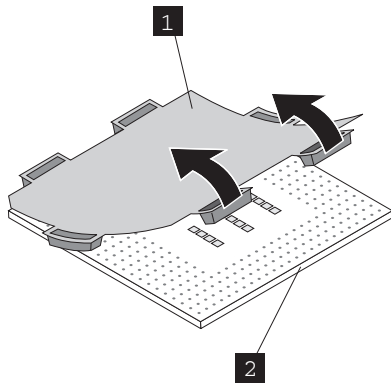


Figure 260. Removing the plastic protective cover from a microprocessor

- 1 Protective cover
- 2 Microprocessor

- Locate the microprocessor installation tool that comes with the new microprocessor.
- Twist the handle of the installation tool counterclockwise so that it is in the open position.
- Align the triangular alignment mark ( 4 in Figure 262 on page 262) on the microprocessor on the microprocessor installation tool with the triangle alignment mark on the microprocessor, then place the microprocessor on the underside of the tool so that the tool can grasp the microprocessor correctly onto the bottom of the installation tool.

To align the microprocessor with the socket, use the triangular alignment cutout on the microprocessor socket and the triangular alignment mark ( 4 in Figure 262 on page 262) on the microprocessor. Also use the position of the notches to align the microprocessor.

- Twist the handle of the installation tool clockwise to secure the microprocessor in the tool.

**Note:** You can pick up or release the microprocessor by twisting the microprocessor installation tool handle.

- Carefully align the microprocessor installation tool over the microprocessor socket. Twist the handle of the microprocessor tool counterclockwise to insert the microprocessor into the socket.

**Attention:** The microprocessor fits only one way on the socket. You must place a microprocessor straight down on the socket to avoid damaging the pins on the socket. The pins on the socket are fragile. Any damage to the pins may require replacing the system board.

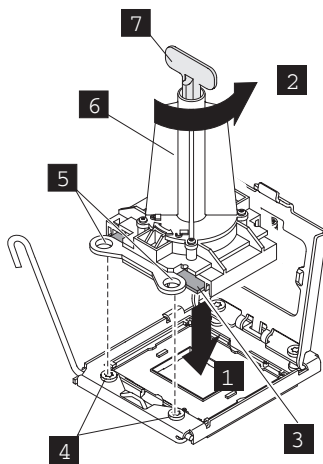


Figure 261. Inserting the microprocessor into the socket

- |           **1** Downward motion to seat the microprocessor
  - |           **2** Twisting motion to insert the microprocessor into the socket
  - |           **3** Microprocessor
  - |           **4** Screws
  - |           **5** Alignment holes
  - |           **6** Installation tool
  - |           **7** Handle
- Close the microprocessor bracket frame.
  - Carefully close the microprocessor release lever to the closed position to secure the microprocessor in the socket.
- 4.
5. After alignment, carefully place the microprocessor onto the socket. Close the microprocessor-bracket frame ( **3** ).

**Tip:** Do not force the microprocessor. The microprocessor fits only one way on the socket.

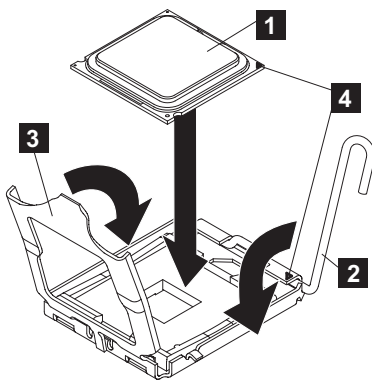


Figure 262. Closing the SAN Volume Controller 2145-CG8 or 2145-CF8 microprocessor-bracket frame

- 1** Microprocessor
  - 2** Microprocessor-release lever
  - 3** Microprocessor-bracket frame
6. Carefully close the microprocessor-release lever ( **2** ) to the closed position to secure the microprocessor in the socket.
7. Clean the grease from the heat sink and apply new grease on the microprocessor.
- When you are installing the heat sink on the same microprocessor that it was removed from, make sure that the following requirements are met:
- The thermal grease on the heat sink and microprocessor is not contaminated.
  - Additional thermal grease is not added to the existing thermal grease on the heat sink and microprocessor.
- To replace damaged or contaminated thermal grease on the microprocessor and heat sink, complete the following steps:
- a. Place the heat sink on a clean work surface.
  - b. Remove the cleaning pad from its package and unfold it completely.
  - c. Use the cleaning pad to wipe the thermal grease from the bottom of the heat sink.

**Note:** Make sure that all of the thermal grease is removed.

- d. Use a clean area of the cleaning pad to wipe the thermal grease from the microprocessor; then, dispose of the cleaning pad after all of the thermal grease is removed.
- e. Use the thermal-grease syringe to place 9 uniformly spaced dots of 0.02 mL each on the top of the microprocessor, as shown in Figure 263. The outermost dots must be within approximately 5 mm of the edge of the microprocessor to ensure uniform distribution of the grease.

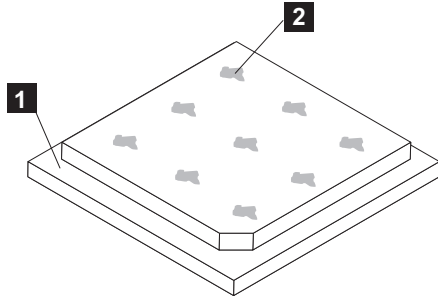


Figure 263. Applying thermal grease to the SAN Volume Controller 2145-CG8 or 2145-CF8 microprocessor

- 1** Microprocessor
- 2** 0.02 mL of thermal grease

**Note:** If properly applied, approximately half of the grease remains in the syringe when you are done.

8. Align the heat sink on top of the microprocessor, as shown in Figure 264.

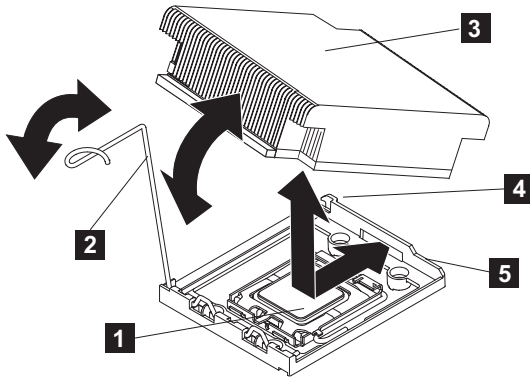


Figure 264. Installing the heat sink on the SAN Volume Controller 2145-CG8 or 2145-CF8 microprocessor

- 1** Microprocessor
- 2** Heat-sink release lever
- 3** Heat sink
- 4** Lock tab
- 5** Retainer bracket

9. Lower the rear flange of the heat sink into the opening in the retainer bracket ( **5** ) and press down firmly on the front of the heat sink until it is seated securely.
10. Rotate the heat-sink release lever ( **2** ) to the closed position and hook the lever underneath the lock tab ( **4** ).
11. Replace the top cover. See “Replacing the top cover” on page 81.

12. If you removed the node from the rack, replace the node in the rack, as described in “Replacing the SAN Volume Controller in a rack” on page 55.
13. If you removed any Fibre Channel or Ethernet cables, use the labels you placed on each cable to replace all Fibre Channel and Ethernet cables in the same ports from which they were removed.
14. If you removed the power cords, replace the power cords and the cable-retention brackets, as described in “Replacing the cable-retention bracket” on page 39.
15. Lift the locking levers ( **1** in Figure 265) on the slide rails and push the server **2** all the way into the rack until it clicks into place.

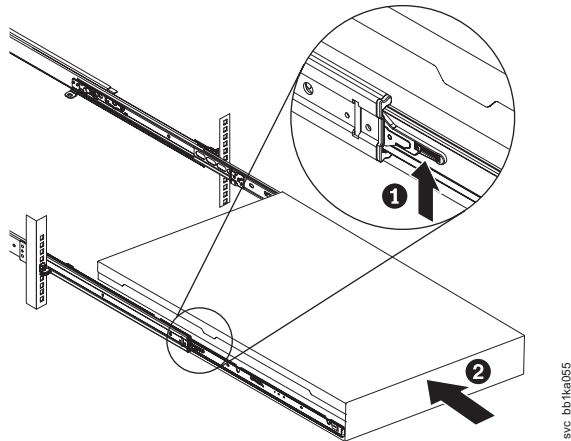


Figure 265. Raising the SAN Volume Controller 2145-CF8 or 2145-CG8 locking levers of the slide rails of the rack

16. Turn on the node.

## Replacing the SAN Volume Controller 2145-8A4 microprocessor

This topic describes how to replace the microprocessor.

Perform the following steps to replace the microprocessor:

1. Make sure that the microprocessor bracket frame **1** and release latch **4**, shown in Figure 266 on page 265, are both fully open.

### Attention:

- The microprocessor contacts are fragile; handle the microprocessor very carefully. Do not touch the microprocessor contacts with your skin.
- The microprocessor fits only one way on the socket.

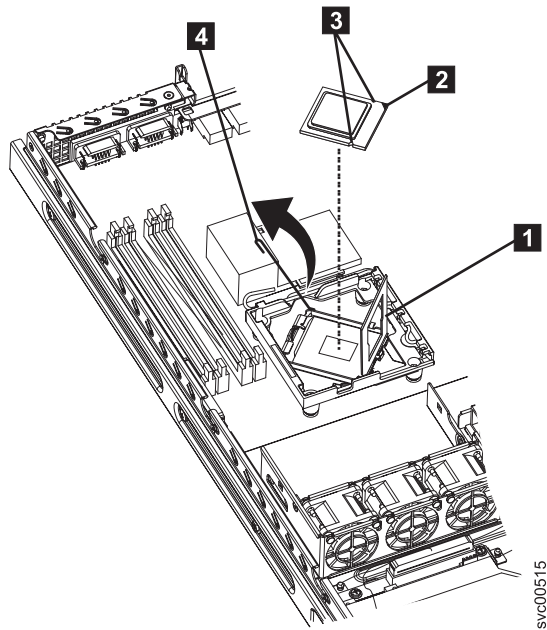


Figure 266. SAN Volume Controller 2145-8A4 microprocessor

2. Align the microprocessor with the socket as shown in Figure 266. (Note the alignment mark **2** and the position of the notches **3**.)

Then, carefully place the microprocessor on the socket, close the microprocessor bracket frame **1**, and close the microprocessor release latch **4**.

3. Install the heat-exchanger assembly.

- If you are installing a new heat-exchanger assembly, peel off the protective backing from the thermal material that is on the underside of the new heat exchanger.
- If you are reinstalling a heat-exchanger assembly that was previously removed, replace the contaminated or missing thermal grease:
  - a. Place the heat-exchanger assembly on a clean work surface.
  - b. Remove the cleaning pad from its package and unfold it completely.
  - c. Use the cleaning pad to wipe the thermal grease from the bottom of the heat exchanger. Make sure that all of the thermal grease is removed.
  - d. Apply thermal grease to the top of the microprocessor, as shown in Figure 267 on page 266. Apply nine dots of thermal grease in three rows of three dots each with the outer rows approximately 5 mm from the edge of the microprocessor. The diameter of the cap from the thermal grease syringe is 5 mm, so you can use it to judge the required position of the dots of thermal grease

**Note:** 0.01mL is one tick mark on the syringe. If the grease is properly applied, approximately half (0.22 mL) of the grease will remain in the syringe.

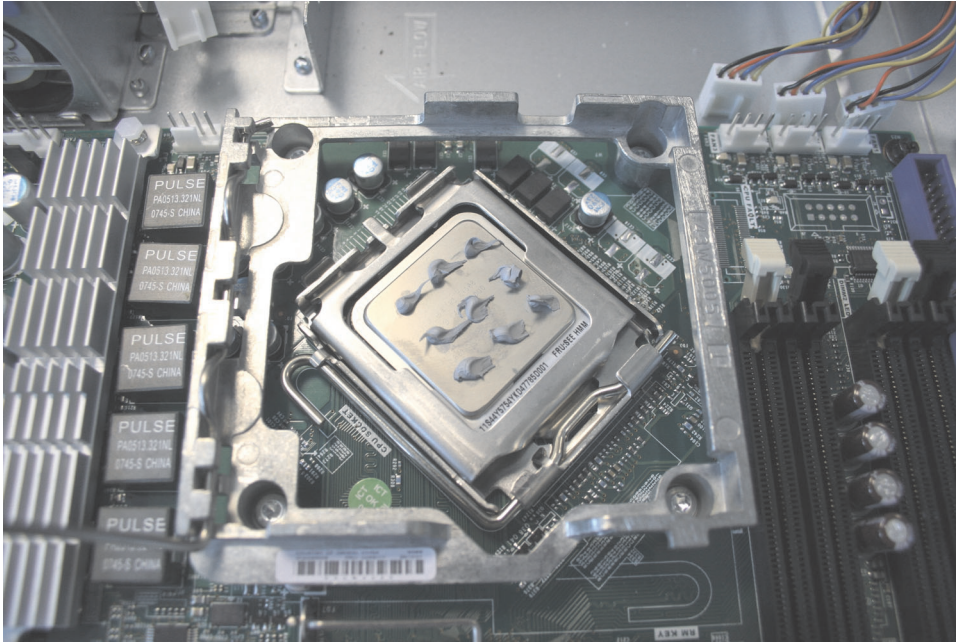


Figure 267. Complete set of nine thermal grease dots on the SAN Volume Controller 2145-8A4 microprocessor

4. Make sure that the heat-exchanger assembly release latch is fully opened.
5. With the heat-exchanger assembly at an angle, carefully align the heat-exchanger assembly with the microprocessor and the heat exchanger retention module (socket) on the system board. Make sure that the alignment pins **1**, shown in Figure 268, protrude through the alignment hole (the opening in the side of the heat-exchanger bracket) and that the flange of the heat sink rests under the lip of the heat-exchanger socket.

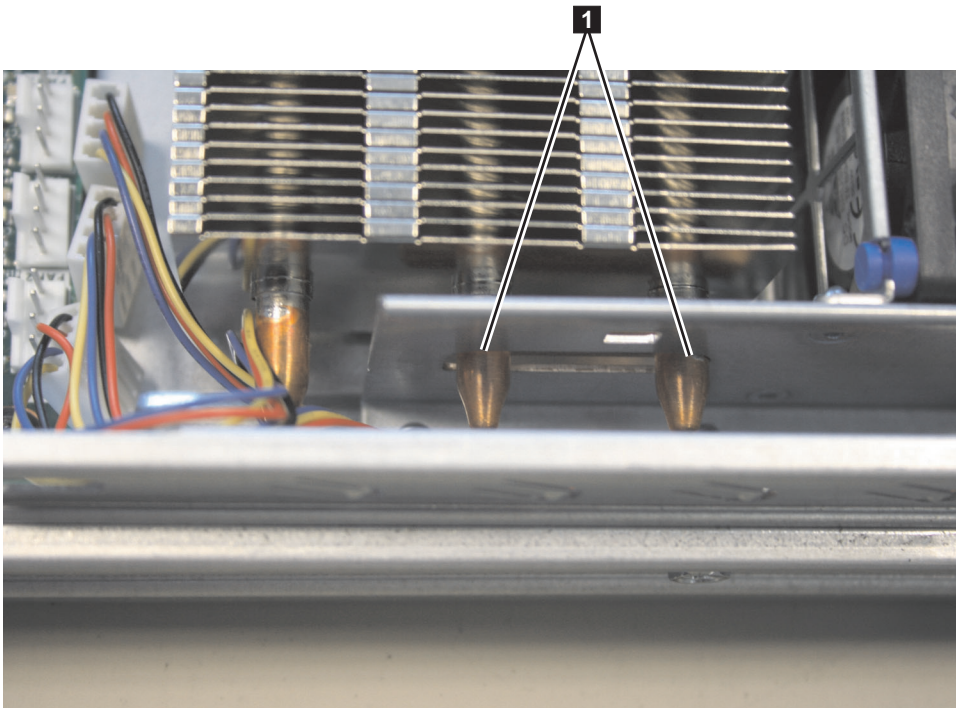


Figure 268. Alignment pins on the SAN Volume Controller 2145-8A4 heat-exchanger assembly



6. Gently press the assembly into place.
7. Close the heat-exchanger-assembly release latch, catching it under the hook on the socket.
8. Replace the air baffle. Align the air baffle and then press the air baffle into position until it clicks into place.
9. Replace the top cover. See “Replacing the top cover” on page 81.
10. Place the node in the rack. See “Replacing the SAN Volume Controller in a rack” on page 55.
11. Reconnect the power cords and any cables that were removed.
12. Turn on the node.

## Replacing the SAN Volume Controller 2145-8G4 microprocessor

This topic describes how to replace the microprocessor.

There are two versions of the SAN Volume Controller 2145-8G4 node: Rev 1 and Rev 2. One difference between these two versions is in the processor configuration. The original version (Rev 1) has two microprocessors, while the second version (Rev 2) has one microprocessor. The label on the Rev 1 node does not include a version number. An additional label on the front of the Rev 2 node includes the version number. Ensure that you have the correct microprocessor for the node that you are servicing.

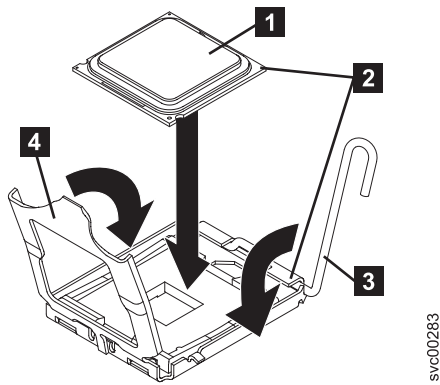
You need 1 alcohol wipe and 1 thermal grease syringe for each microprocessor that you will replace. If you do not already have these, order them before you begin to replace the part.

The documented steps to replace the SAN Volume Controller 2145-8G4 microprocessor assume that you:

- Removed all power from the node
- Removed the node from the rack
- Removed the top cover of the node
- Removed the microprocessor that is being replaced

Perform the following steps to replace the microprocessor:

1. Rotate the release lever from the closed and locked position to the open position.
2. Touch the static-protective package that contains the new microprocessor to any *unpainted* metal surface on the node.
3. Remove the microprocessor from the package.  
**Attention:** Be careful how you handle the microprocessor. Do not touch the microprocessor contacts; handle the microprocessor by the edges only. Dropping the microprocessor during installation or removal can damage the contacts. Also, contaminants on the microprocessor contacts, such as oil from your skin, can cause connection failures between the contacts and the socket.
4. Position the microprocessor **1** over the microprocessor socket, as shown in Figure 269 on page 268. Use the triangular alignment cutout on the microprocessor socket and the triangular alignment mark **2** on the microprocessor to assist you in aligning the microprocessor to the socket. Then, carefully place the microprocessor onto the socket. Do not force the microprocessor. It only fits one way onto the socket.



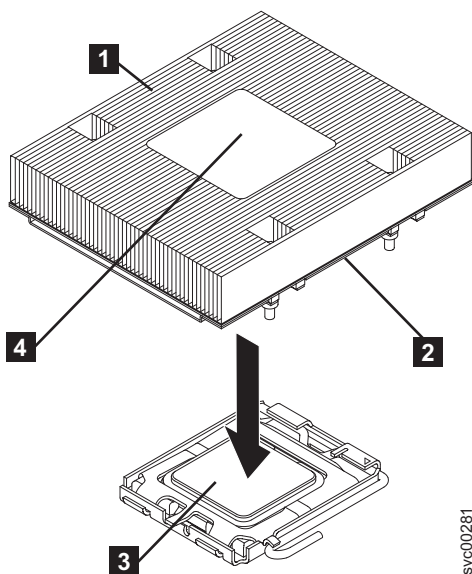
svc00283

Figure 269. Aligning the microprocessor with the socket

- 1 Microprocessor
- 2 Alignment marks
- 3 Microprocessor release lever
- 4 Microprocessor bracket frame

5. Place the microprocessor bracket frame **4** down over the microprocessor and the microprocessor socket to secure the microprocessor position in the socket.
6. Rotate the microprocessor release lever **3** into a closed position.
7. Place the heat sink **1** on top of the microprocessor **3** with the thermal grease **2** side down, as shown in Figure 270. Tighten the captive screws to secure the heat sink to the system board. Alternate among the screws on either side of the heat sink until they are snug, and then alternate again until they are tight, making sure that you do not overtighten any of them.

**Attention:** If you are working on a Rev 1 node, do not touch the thermal grease on the bottom of the heat sink after you remove the plastic cover. Touching the thermal grease contaminates it.



svc00281

Figure 270. Installing the heat sink

- 1 Heat sink
- 2 Thermal grease

- 3** Microprocessor
  - 4** Heat sink installation label
8. Replace the top cover. See “Replacing the top cover” on page 81.
  9. Place the node in the rack. See “Replacing the SAN Volume Controller in a rack” on page 55.
  10. Reconnect the power cable and any other cables that were removed.
  11. Turn on the node.

### Replacing the SAN Volume Controller 2145-8F4 or SAN Volume Controller 2145-8F2 microprocessor

The SAN Volume Controller 2145-8F4 or SAN Volume Controller 2145-8F2 must always be fitted with both microprocessors in order to function correctly.

The documented steps to replace the SAN Volume Controller 2145-8F4 or SAN Volume Controller 2145-8F2 microprocessor assume that you:

- Removed all power from the node
- Removed the node from the rack
- Removed the top cover of the node
- Removed the microprocessor that is being replaced

Perform the following steps to replace the SAN Volume Controller 2145-8F4 or SAN Volume Controller 2145-8F2 microprocessor:

1. Touch the static-protective package that contains the new microprocessor to any *unpainted* metal surface on the node.
2. Remove the microprocessor from the package.
3. Rotate the locking lever **3** from the closed position to the open position, as shown in Figure 271.

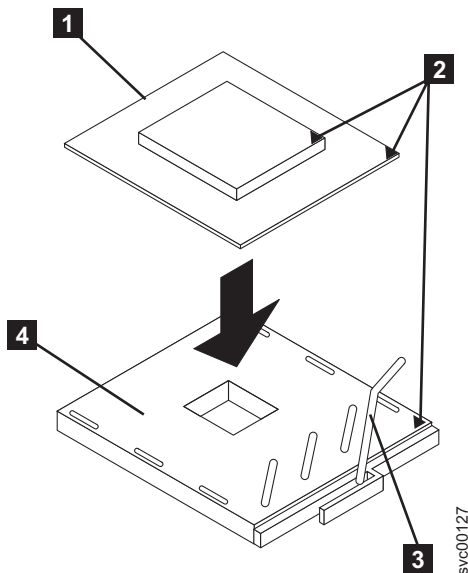


Figure 271. Microprocessor locking lever in open position

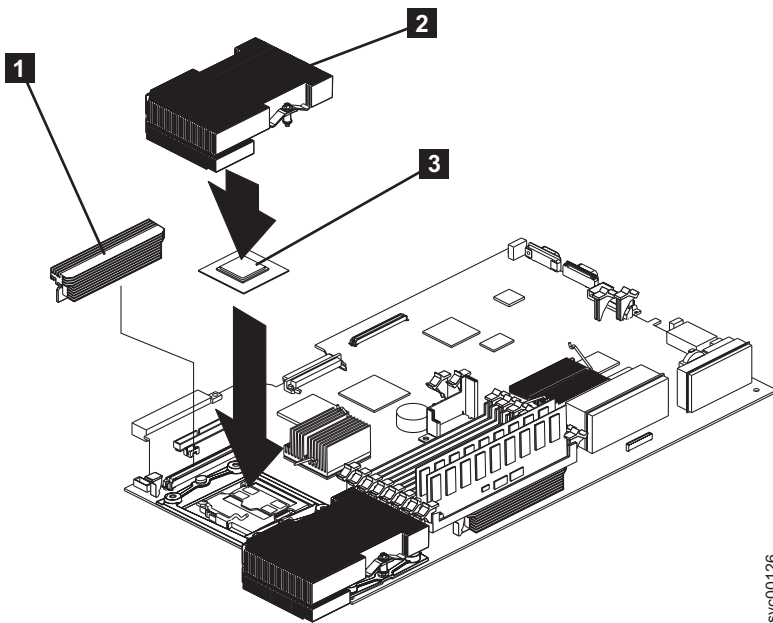
- 1** Microprocessor
- 2** Corner marks
- 3** Locking lever
- 4** Microprocessor socket

4. Center the microprocessor **1** over the microprocessor socket **4**.
5. Align the triangle **2** on the corner of the microprocessor with the triangle on the corner of the socket and carefully press the microprocessor into the socket.
 

**Attention:** Do not use excessive force when pressing the microprocessor into the socket.
6. Close the lever.

**Note:** A voltage regulator module (VRM) and a heat sink are included in the microprocessor package.

- Do not set the heat sink down after removing it from the package.
  - Do not touch or contaminate the thermal grease on the bottom of the heat sink. Doing so damages its heat-conducting capability and exposes the microprocessor to overheating.
  - If you must remove the heat sink after installing it, note that the thermal grease might have formed a strong bond between the heat sink and the microprocessor. Do not force the heat sink and microprocessor apart; doing so causes damage to the microprocessor pins. Loosen one captive screw fully before loosening the other captive screw to help break the bond between the components without damaging them.
7. Install the heat sink **2** on top of the microprocessor **3**, as shown in Figure 272.



svc00126

Figure 272. Microprocessor and heat sink locations

- 1** VRM
- 2** Heat sink
- 3** Microprocessor

8. Tighten the captive screws. Alternate between the screws until they are all tightened. Do not overtighten.
9. Replace the top cover. See “Replacing the top cover” on page 81.
10. Place the node in the rack. See “Replacing the SAN Volume Controller in a rack” on page 55.
11. Reconnect the power cords and any cables that were removed.
12. Turn on the node.

## Removing the SAN Volume Controller 2145-8F4 or SAN Volume Controller 2145-8F2 VRM

You might remove the voltage regulator module (VRM) to perform maintenance on the SAN Volume Controller 2145-8F2 or SAN Volume Controller 2145-8F4.

Take precautions to avoid damage from static electricity. Wear an anti-static wrist strap and use a static-protected mat or surface. For more information, see “Handling static-sensitive devices” on page xx.

Figure 273 shows the microprocessors and VRMs.

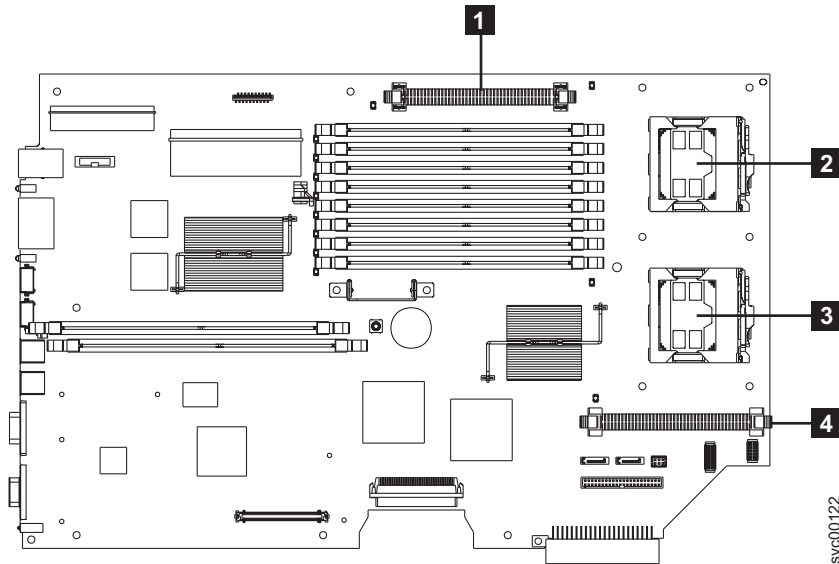


Figure 273. Location of the microprocessor and VRM sockets

- 1** VRM 1
- 2** Microprocessor 1
- 3** Microprocessor 2
- 4** VRM 2

Perform the following steps to remove the VRM:

1. Turn off the node while ensuring that its data is mirrored and synchronized. See MAP 5350 in the *IBM System Storage SAN Volume Controller Troubleshooting Guide* for more information.
2. Remove the SAN Volume Controller 2145-8F4 cable retention bracket.
3. To make sure that you can replace all cables in the same ports from which they were removed, record the position of all Fibre Channel and Ethernet cables; then remove all cables from the back of the node.
4. Remove the top cover. See “Removing the top cover” on page 77.
5. Press the latches on both sides of the VRM downward and outward.

The VRM is pulled out of the node and you can now replace the VRM.

## Replacing the SAN Volume Controller 2145-8F2 or SAN Volume Controller 2145-8F4 VRM

Before you replace the microprocessor, you must replace the voltage regulator module (VRM).

Take precautions to avoid damage from static electricity. Wear an anti-static wrist strap and use a static-protected mat or surface. For more information, see “Handling static-sensitive devices” on page xx.

Perform the following steps to replace the VRM:

1. Align the VRM in the connector.
2. Press both sides of the VRM downward until the latches click into place.
3. If you are replacing the microprocessor, perform the steps required to do so. If not, replace the SAN Volume Controller 2145-8F2 or SAN Volume Controller 2145-8F4 top cover.
4. Place the node in the rack. See “Replacing the SAN Volume Controller in a rack” on page 55.
5. Reconnect the Fibre Channel and Ethernet cables. Ensure that you replace the Fibre Channel and Ethernet cables in the same ports from which they were removed.
6. Turn on the node.

## Removing the SAN Volume Controller system board

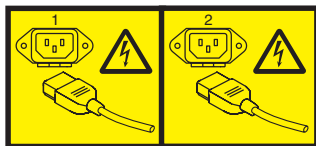
You must remove the system board if you are instructed to replace the SAN Volume Controller system board field-replaceable unit (FRU).

### Removing the SAN Volume Controller 2145-CG8 or 2145-CF8 system board

- | You must remove the system board if you are instructed to replace the SAN Volume Controller 2145-CG8
- | or 2145-CF8 system board FRU.

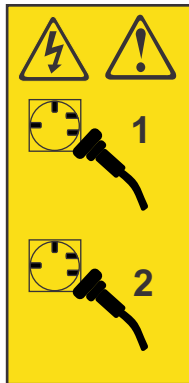
#### DANGER

**Multiple power cords. The product might be equipped with multiple power cords. To remove all hazardous voltages, disconnect all power cords. (L003)**



svc00322

or



svc00735

or



svc00734

You must remove and replace the microprocessor when you replace the system board. Ensure that you have alcohol wipes and thermal grease available to correctly perform this task.

Before you proceed with the system board removal, ensure that you do the following:

- Have a static-protected surface available to hold the components that you remove from the old system board.
- Follow all standard safety and handling instructions. The components that you will be handling are electrostatic-discharge sensitive. Take precautions to avoid damage from static electricity. Wear an anti-static wrist strap and use a static-protected mat or surface. For more information, see “Handling static-sensitive devices” on page xx.

This service action requires you to remove the cover and:

- Turn the node off.

- Disconnect the power cables.
- Disconnect the data cables.

**Notes:**

- You must remove a number of components before you can remove and replace the system board. You will reuse all the components with the new system board. Therefore, take care when you remove and store these components.
- Each connector on the system board has its use printed next to it on the board.
- All left or right observations are when you are looking at the front of the unit.

To remove the system board, perform the following steps:

1. Read the safety information to which “Preparing to remove and replace parts” on page 26 refers.
2. Follow the procedure in MAP 5350 in the *IBM System Storage SAN Volume Controller Troubleshooting Guide* to verify that the node data is mirrored and synchronized, and that there are no dependent volumes before turning off the node.
3. Slide the node out on its slide rails to the fully extended position.
4. When the node is completely turned off, remove the cable-retention brackets and disconnect the power cables, as described in “Removing the cable-retention bracket” on page 34.
5. To make sure that you can replace all cables in the same ports from which they were removed, label the port position of each Fibre Channel and Ethernet cable; then remove all cables from the back of the node.
6. Optional: Remove the node from the rack and place it on a flat, static-protective surface. See “Removing the SAN Volume Controller from a rack” on page 46.

You can perform most service actions when the node is fully extended from the rack on its slide rails. If the location of the node in the rack is too high or too low to work comfortably, you can remove the node from the rack.

7. Remove the top cover. See “Removing the top cover” on page 77.
8. Remove the Fibre Channel adapter and riser-card assembly from slot 1. Set the adapter and riser card aside on the static-protected surface. See “Removing the Fibre Channel adapter assembly” on page 178.
9. Remove the high-speed SAS adapter and riser card assembly from slot 2, if it is present, as described in “Removing the SAN Volume Controller 2145-CG8 or 2145-CF8 high-speed SAS adapter assembly” on page 197.
10. Remove the 10 Gbps Ethernet adapter assembly from connector slot 2, if it is present, as described in “Removing the 10 Gbps Ethernet riser-card assembly” on page 191.
11. Remove the disk-controller and USB riser-card assembly, as described in “Removing the SAN Volume Controller 2145-CG8 or 2145-CF8 disk-controller and USB riser-card assembly” on page 207.
12. Remove the power supplies, as described in “Removing a SAN Volume Controller 2145-CG8 or 2145-CF8 power supply” on page 156.
13. Remove the microprocessor in slot 1, as described in “Removing the SAN Volume Controller 2145-CG8 or 2145-CF8 microprocessor” on page 251; then remove the white plastic air baffles by lifting them straight up.
14. Remove the memory modules and set them aside on a static-protective surface, as described in “Removing the memory modules (DIMM)” on page 104.

**Note:** Make a note of the location of each DIMM as you remove it, so that you can later reinstall it in the same connector.

15. Disconnect all cables from the system board. Make a list of each cable as you disconnect it; you can then use this as a checklist when you install the new system board.
16. Remove the hot-swap fans, as described in “Removing the SAN Volume Controller 2145-CG8 or 2145-CF8 fans” on page 239.

17. Press the fan bracket release latches (one is to the left of fan 6 and one is to the right of fan 1) inward toward the fans and rotate the fan assembly brackets up toward the front of the node.
18. Grasp the system board handle ( **1** in Figure 274) and slide the system board away from the back of the node. Lift the side of the system board that is nearer to the power supply units slightly so that it disengages from the locator pin; then, slide the system board slightly toward the left of the node, as shown in Figure 274.

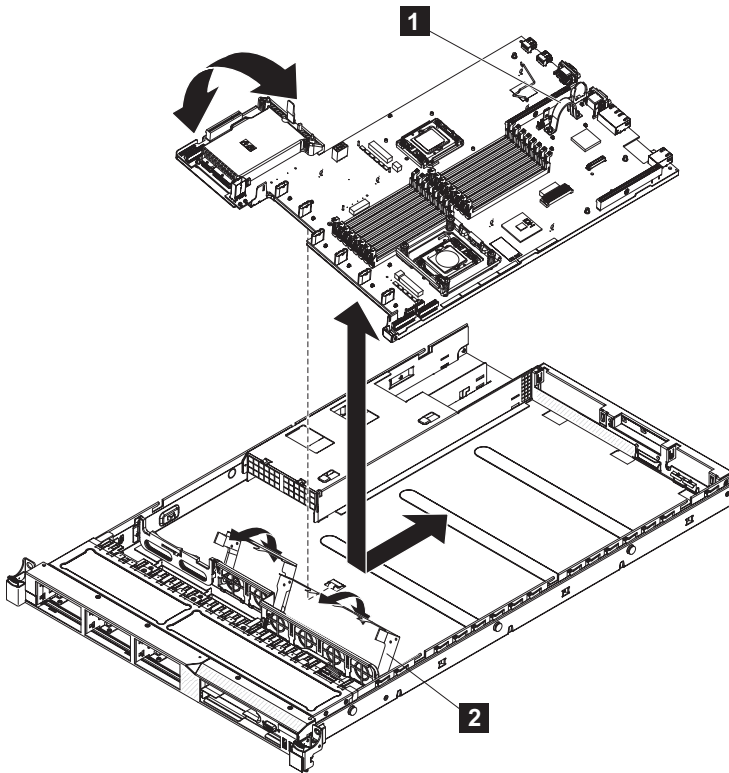


Figure 274. Removing and replacing the SAN Volume Controller 2145-CG8 or 2145-CF8 system board

- 1** System-board handle
- 2** Fan-assembly bracket

19. Lift up the system board and carefully remove it from the node, being careful not to damage any surrounding components.
20. If you are instructed to return the system board, follow all packaging instructions, and use any packaging materials for shipping that are supplied to you.

### Removing the SAN Volume Controller 2145-8A4 system board

You must remove the system board if you are instructed to replace the SAN Volume Controller 2145-8A4 system board field-replaceable unit (FRU).

You must remove and replace the microprocessor when you replace the system board. Also, ensure that you have alcohol wipes and thermal grease available to correctly perform this task.

Before you proceed with the system board removal, ensure that you do the following:

- Identify and label all the cables that are attached to the SAN Volume Controller 2145-8A4 node so they can be replaced in the same port.
- Have a static-protected surface available to hold the components that you remove from the old system board.



- Follow all standard safety and handling instructions. The components that you will be handling are electrostatic-discharge sensitive.

Take precautions to avoid damage from static electricity. Wear an anti-static wrist strap and use a static-protected mat or surface. For more information, see “Handling static-sensitive devices” on page xx.

**Notes:**

- You must remove a number of components before you can remove and replace the system board. You will reuse all the components that are removed with the new system board. Therefore, take care when you remove and store these components.
- Each connector on the system board has its use printed next to it on the board.

To remove the system board, perform the following steps:

1. Read the safety precautions in “Safety and environmental notices” on page xiii.
2. Ensure that the node is turned off. If the node is an active member of a cluster, you must take care not to turn off the only node that services one or more VDisks, because the host applications will lose access to their data. See MAP 5350 in the *IBM System Storage SAN Volume Controller Troubleshooting Guide*.
3. Remove the cable-retention bracket and disconnect the power cable from the node. See “Removing the cable-retention bracket” on page 34.
4. Remove the node from the rack and place it on a flat, static-protective surface. See “Removing the SAN Volume Controller from a rack” on page 46.
5. Remove the top cover. See “Removing the top cover” on page 77.
6. Remove the riser-card and Fibre Channel adapter. Place them on a static-protective surface for reinstallation. You do not need to separate the riser-card and Fibre Channel adapter assembly. See “Removing the Fibre Channel adapter assembly” on page 178.
7. Mark the cables to ensure that you know where each one goes. Figure 275 on page 276 shows the connectors on the SAN Volume Controller 2145-8A4 system board.

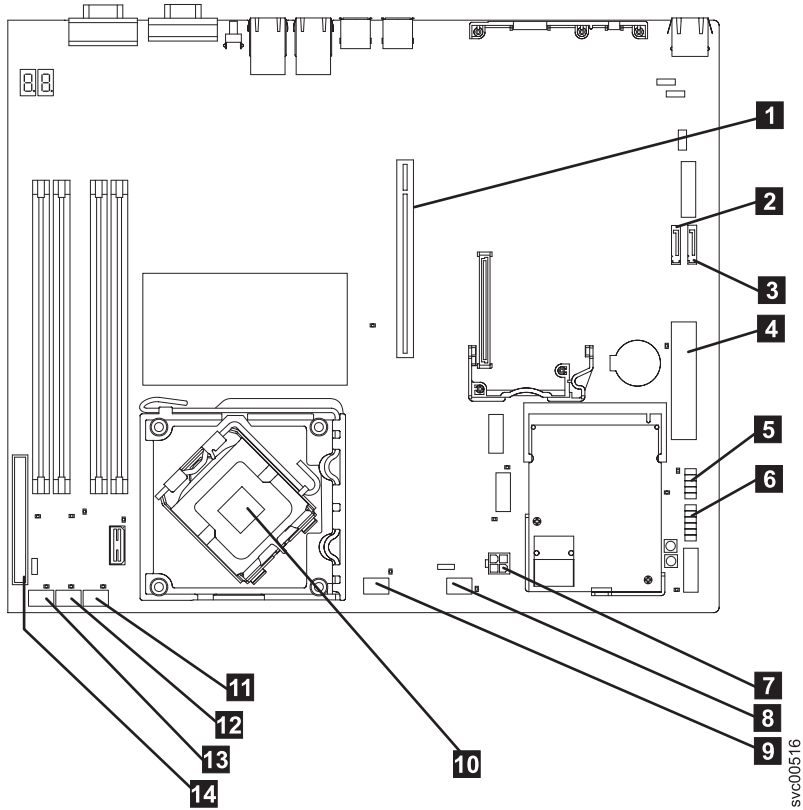


Figure 275. Connectors that are used on the SAN Volume Controller 2145-8A4 system board

- 1** PCI express riser card connector
- 2** SATA 2 connector
- 3** SATA 0 connector
- 4** Power connector P1
- 5** Front USB connector
- 6** Operator-information panel connector
- 7** Power connector P6
- 8** Fan 5 connector
- 9** Fan 4 connector
- 10** Microprocessor connector
- 11** Fan 3 connector
- 12** Fan 2 connector
- 13** Fan 1 connector
- 14** IDE connector

8. Disconnect and remove both SATA disk cables from sockets SATA 0 and SATA from the system board, as shown in Figure 276 on page 277.

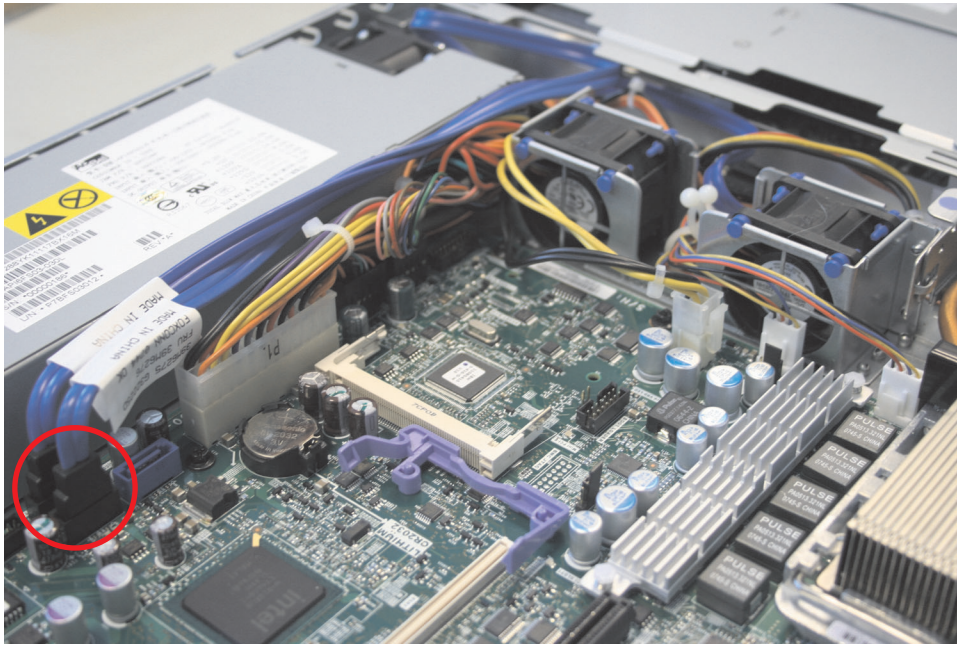


Figure 276. SAN Volume Controller 2145-8A4 SATA cable connectors

9. Remove power connectors P1 **1** and P6 **2**, as shown in Figure 277.

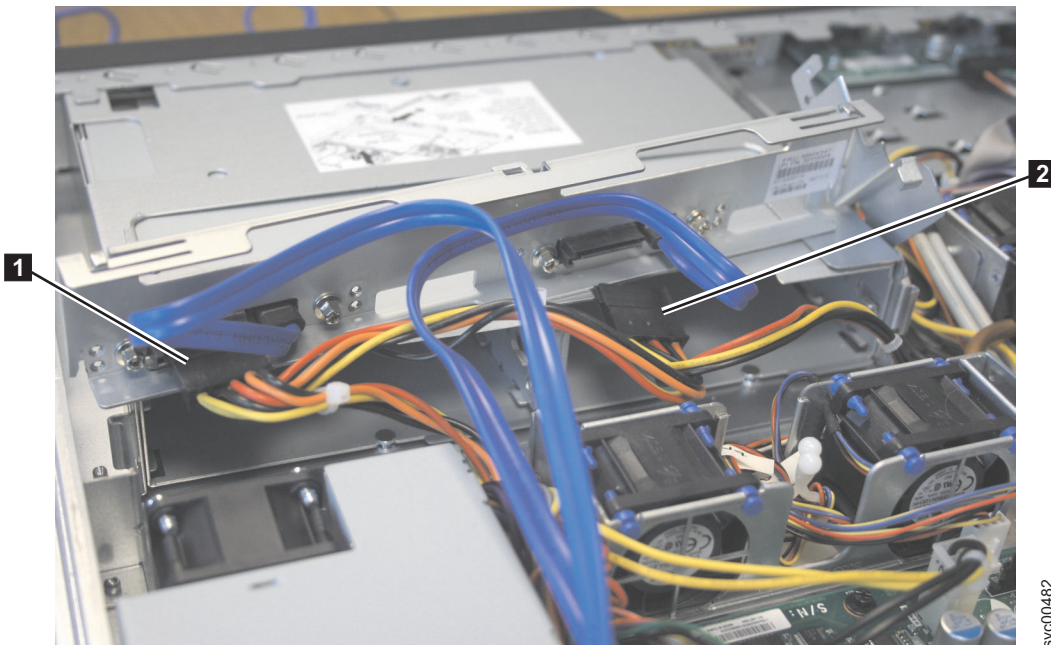


Figure 277. SAN Volume Controller 2145-8A4 power supply connectors

10. Remove the cables from the Front USB and the Front panel sockets.
11. Remove the cable from the IDE connector, which is identified in Figure 278 on page 278.

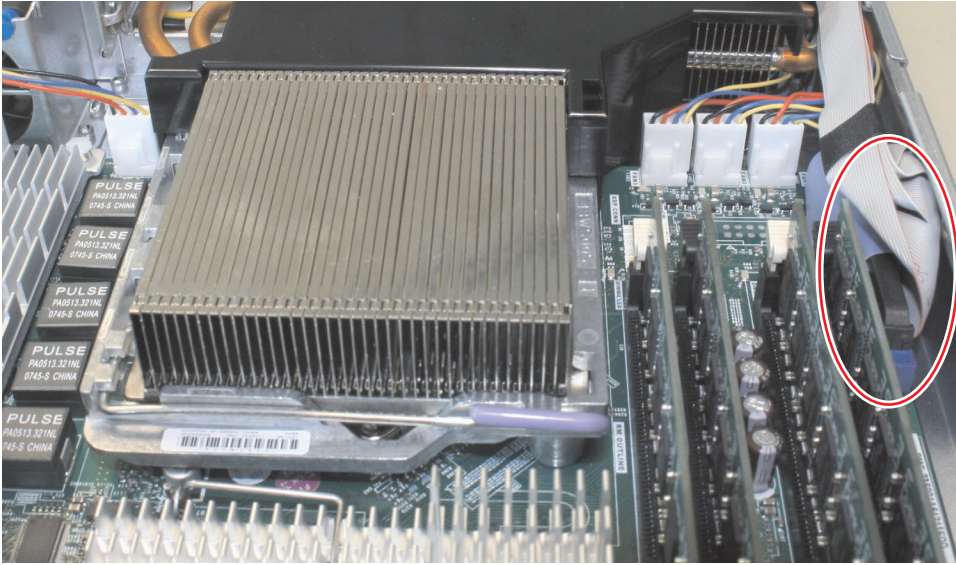


Figure 278. The IDE connector on the SAN Volume Controller 2145-8A4 system board

12. Remove the five fan connectors along the front edge of the system board. Figure 279 on page 279 shows three of the fan connectors.

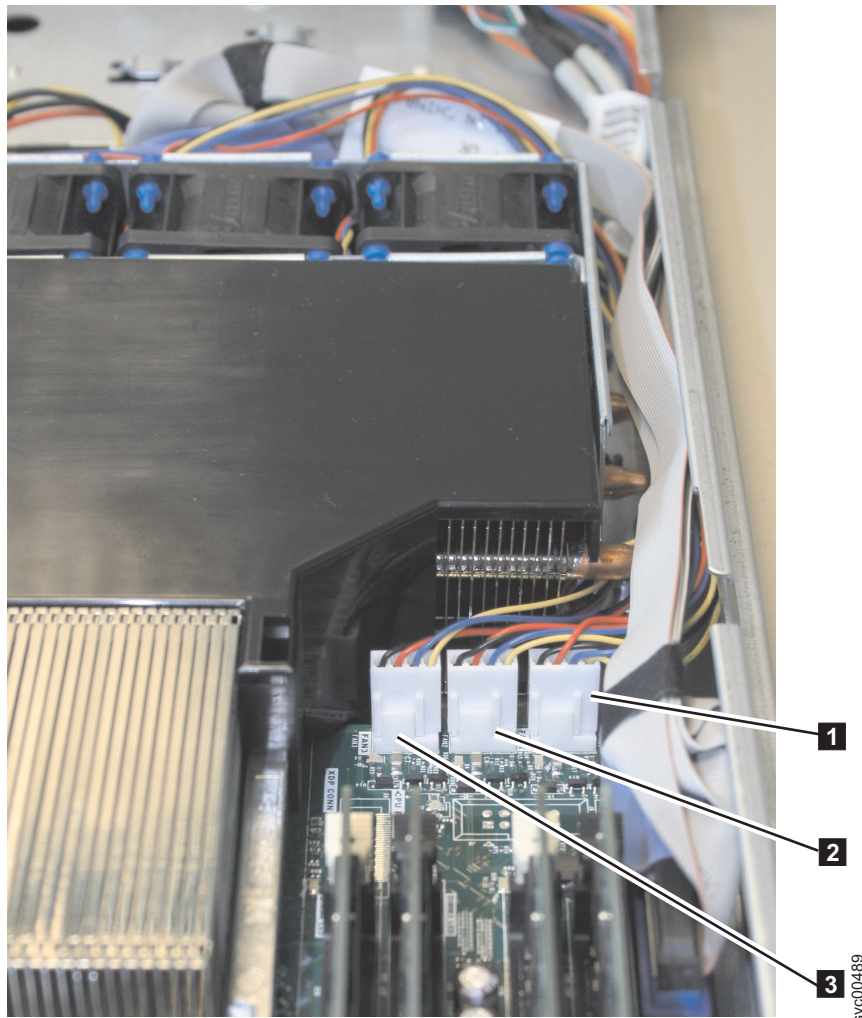
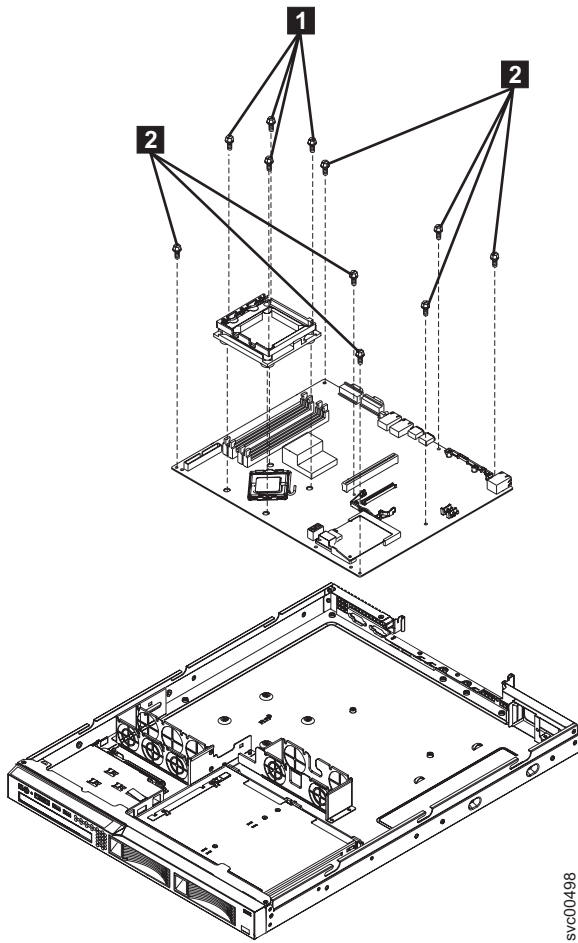


Figure 279. Connectors for the SAN Volume Controller 2145-8A4 heat exchange fans

13. Remove the four memory modules and place them on a static-protective surface for reinstallation. See “Removing the memory modules (DIMM)” on page 104.
14. Remove the heat-sink air baffle and the heat sink. Clean the thermal grease from the microprocessor before you remove it. You can also clean the heat sink now.
15. Remove the microprocessor. See “Removing the microprocessor” on page 251.
16. Notice the orientation of the microprocessor retention module and then remove the four screws ( **1** in Figure 280 on page 280) that hold the microprocessor retention module to the system board. Then, lift the retention module out of the server.



svc00498

Figure 280. SAN Volume Controller 2145-8A4 system board and microprocessor retention module

17. Remove the remaining eight screws ( **2** in Figure 280) that secure the system board to the chassis. Put the screws in a safe place.
18. Lift the system board out of the server.

### Removing the SAN Volume Controller 2145-8G4 system board

You must remove the system board if you are instructed to replace the SAN Volume Controller 2145-8G4 system board FRU.

The system board field-replaceable unit (FRU) consists of the planar. You must order alcohol wipes and thermal grease separately. There are two versions of the SAN Volume Controller 2145-8G4. The original version (Rev 1) has two microprocessors and eight 1 GB memory modules. The second version (Rev 2) has one microprocessor and four 2 GB memory modules.

Before you proceed with the system board removal, ensure that you do the following:

- Identify and label all the cables that are attached to the SAN Volume Controller 2145-8G4 node so they can be replaced in the same port.
- Have a static-protected surface available to hold the components that you removed from the old system board.

You must follow all standard safety and handling instructions. The components that you will be handling are electrostatic-discharge sensitive. Take precautions to avoid damage from static electricity. Wear an anti-static wrist strap and use a static-protected mat or surface. For more information, see “Handling static-sensitive devices” on page xx.

**Notes:**

1. All left or right observations are when you are looking at the front of the unit.
2. You must remove a number of components before you can remove and replace the system board. You will reuse all the components that are removed with the new system board. Therefore, take care when you remove and store these components.

Perform the following steps to remove the system board:

1. Ensure that the node is turned off. If the node is an active member of a cluster, you must take care not to turn off the only node servicing one or more VDisks, because the host applications will lose access to their data. See MAP 5350 in the *IBM System Storage SAN Volume Controller Troubleshooting Guide* for more information.
2. Remove the node from the rack and place it on a flat, static-protective surface. See “Removing the SAN Volume Controller from a rack” on page 46.
3. Remove the top cover. See “Removing the top cover” on page 77.
4. Remove the Fibre Channel adapter and riser card in slot 1. Set the adapter and riser card aside on the static-protected surface. See “Removing the Fibre Channel adapter assembly” on page 178.
5. Remove the riser card in slot 2.
6. Disconnect the first set of cables from the system board, which are shown in Figure 281 on page 282. From the left front side of the system board, remove the following:
  - a. The right disk signal cable connector **1**.
  - b. The left disk signal cable connector **2**.
  - c. The fan 1 connector **3**. To remove the fan connectors, press the release latch in the center and then pull up.
  - d. The fan 2 connector **4**.

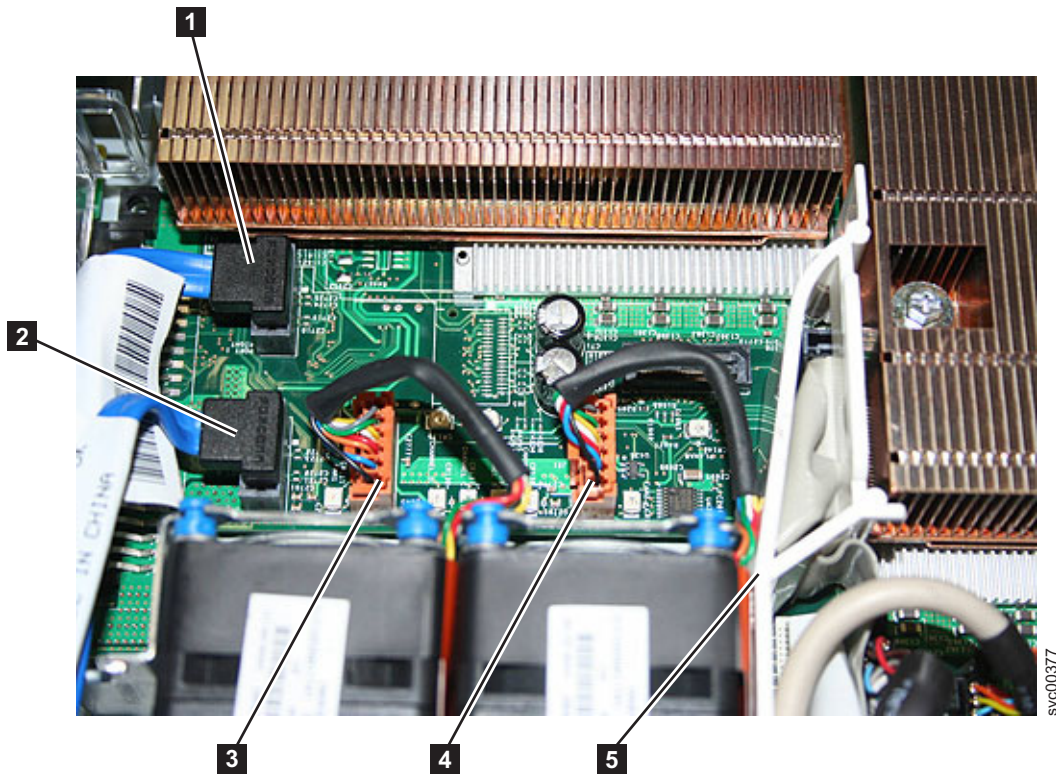


Figure 281. Connectors on the SAN Volume Controller 2145-8G4 system board

7. To ease other tasks, remove fan 2.
8. Notice how the cables are arranged within and beside the left air baffle **5**. Then remove the left air baffle by pulling up gently.

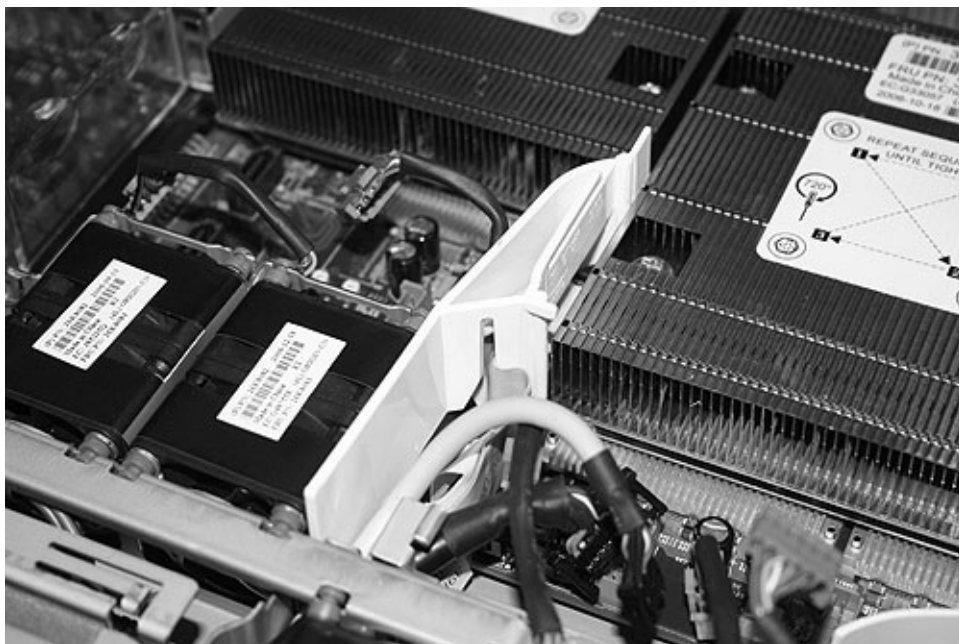


Figure 282. Left air baffle on the SAN Volume Controller 2145-8G4



9. Disconnect the connectors from the system board, which are shown in Figure 283. From the right front side of the system board, remove the following:
  - a. The fan 3 connector **5** by pressing the release latch in the center and then pulling up.
  - b. The fan 4 connector **6** by pressing the release latch in the center and then pulling up.
  - c. The fan 5 connector **7** by pressing the release latch in the center and then pulling up.
  - d. The fan 6 connector **8** by pressing the release latch in the center and then pulling up.
  - e. The uninterruptible power supply cable connector **4**.
  - f. The video cable connector **3**.



Figure 283. Connectors on the right front side of the SAN Volume Controller 2145-8G4 system board

10. Remove the remaining cables from the system board:
  - a. The CD-RW ribbon cable connector **1** by gently pulling the connector upward.
  - b. The light path ribbon cable connector **2** by gently pulling the connector upward.

All cables should now have been removed from the system board. You do not need to disconnect the disk power cable connector **1** on the power backplane **2**, which are shown in Figure 284 on page 284.

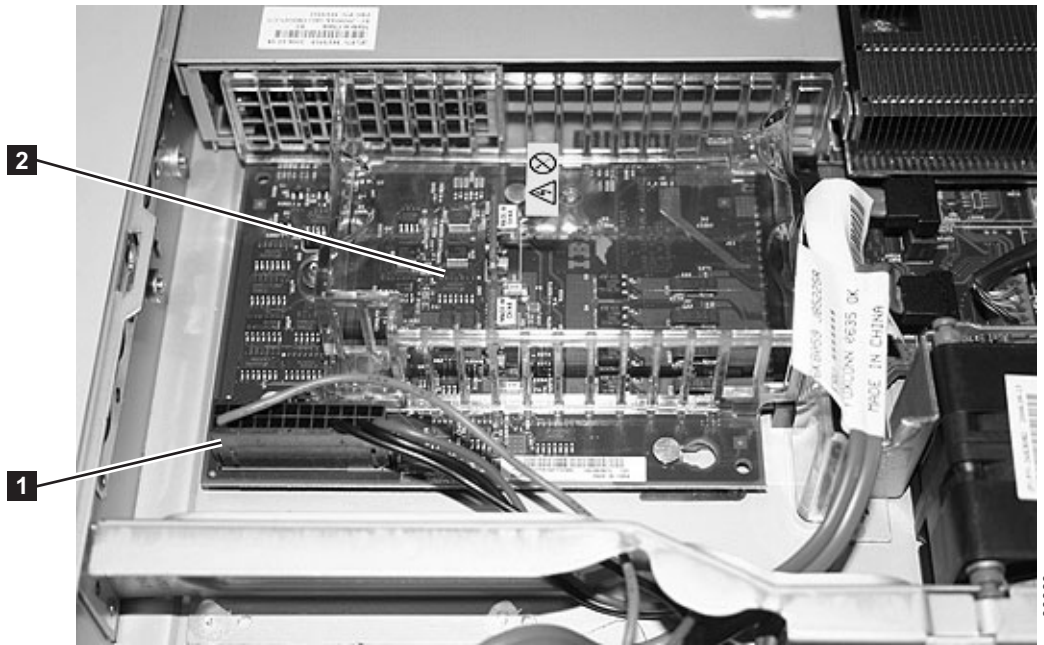


Figure 284. Disk power cable connector and power backplane on the SAN Volume Controller 2145-8G4 system board

11. Remove the right air baffle, which is shown in Figure 285. First, pull the air baffle to the right and then push the connector towards the back of the unit to release it from the support rail. Next, pull the baffle forward and then upward to release the clip from the system board. Finally, lift the baffle free.

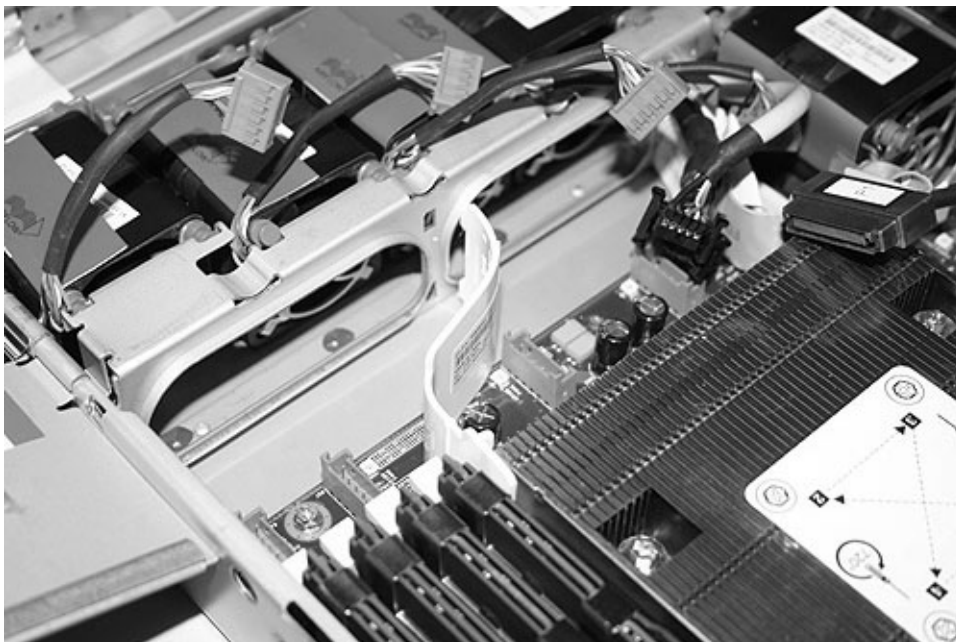


Figure 285. Right air baffle on the SAN Volume Controller 2145-8G4 system board

12. Carefully remove all the memory modules and set them aside on the static-protected surface. See “Removing the memory modules (DIMM)” on page 104.

13. Depending on the version of the SAN Volume Controller 2145-8G4 node, you must remove either one or two heat sinks. Remove the thermal grease from the heat sink, and set it aside on the static-protected surface.

**Tip:** Fully loosen both screws from one side of the heat sink before you loosen either screw on the other side to help break the thermal grease seal between the microprocessor and the heat sink.

Use an alcohol wipe to remove the thermal grease from the heat sink.

14. Clean the thermal grease from the top of each microprocessor with an alcohol wipe, as shown in Figure 286. Cleaning the microprocessor before it is removed reduces the amount of handling it is subjected to.

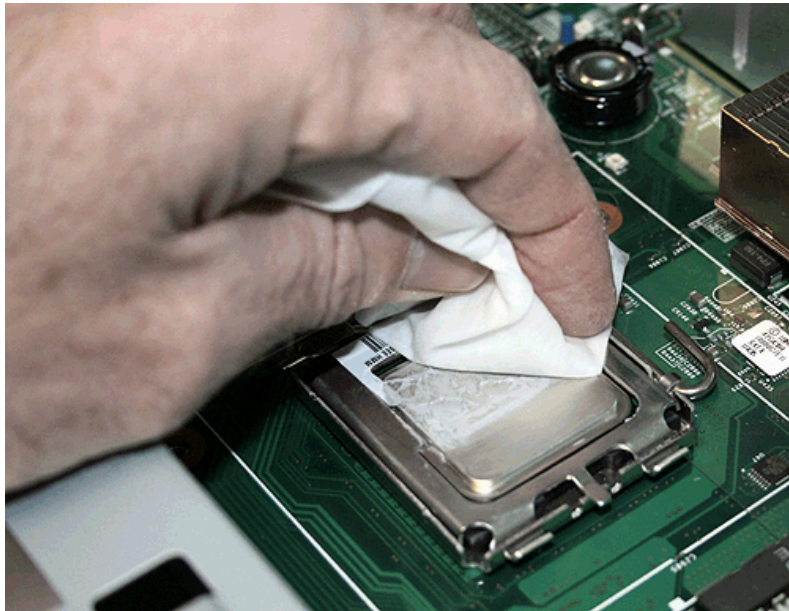
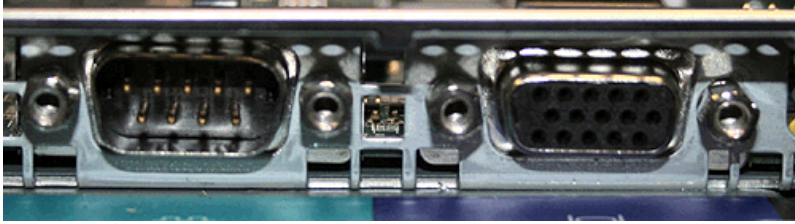


Figure 286. Removing thermal grease from the SAN Volume Controller 2145-8G4 microprocessor

15. Remove the microprocessors.
  - a. Open the microprocessor release lever and then open the bracket frame.
  - b. Carefully remove the microprocessor from the socket. Be careful to touch only the edges of the microprocessor.
  - c. Set the microprocessors aside on a static-protected surface.
16. Push down the orange clip and pull the power supply approximately two inches out of the chassis so it disconnects with the power backplane.
17. Disconnect the power backplane from the system board by sliding it to the left. Move it far enough to the side so it does not obstruct the system board removal. See “Removing the power backplane” on page 171.
18. Remove the four stand-off screws from by the serial and video I/O ports at the rear of the node. Figure 287 on page 286 shows the location of the stand-off screws.



svc00411

Figure 287. Serial and video ports on the SAN Volume Controller 2145-8G4

19. Remove the six screws on the system board, as shown in Figure 288, that secure the system board to the chassis.

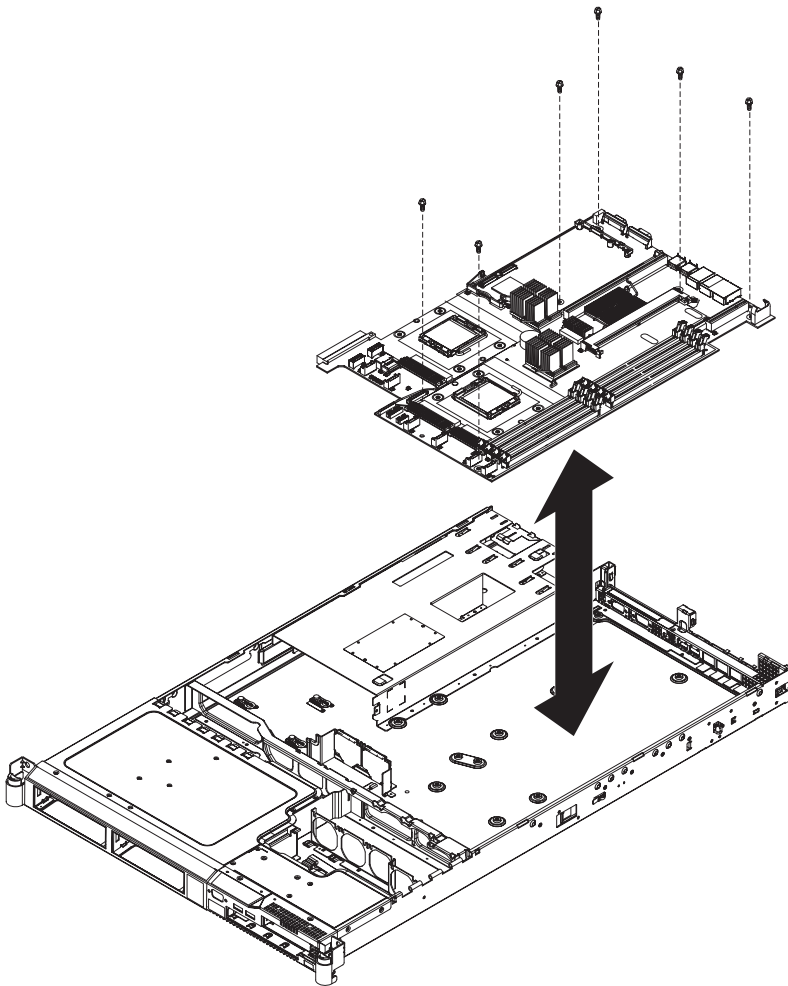


Figure 288. The placement of the screws that secure the SAN Volume Controller 2145-8G4 system board

20. Lift up the front edge of the system board slightly so that it disengages from the locator pin. Slide the system board slightly toward the front of the node so that the I/O ports are free of the chassis.
21. Lift up the left side of the system board.
22. Lift up the rest of the system board and carefully remove it from the node, being careful not to disturb any surrounding components.

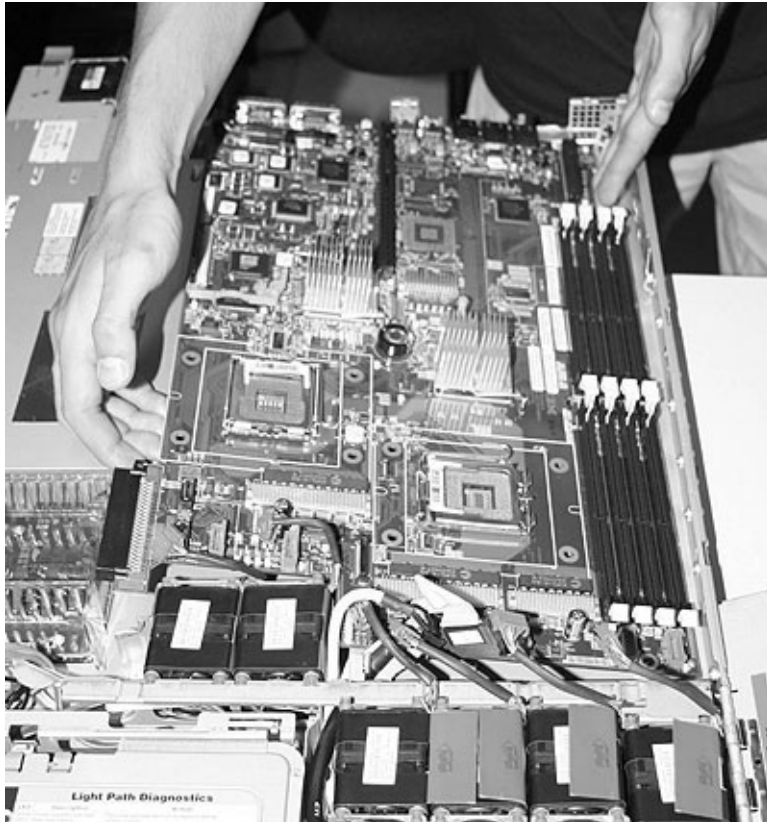


Figure 289. SAN Volume Controller 2145-8G4 system board

## Replacing the SAN Volume Controller system board

You will reuse all the components from the system board that you are replacing with the new SAN Volume Controller system board field-replaceable unit (FRU).

## Replacing the SAN Volume Controller 2145-CG8 or 2145-CF8 system board

All the components that were removed when you removed the system board are reused during the installation of the new system board.

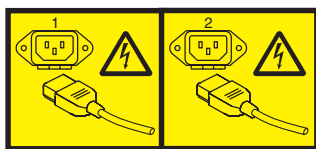
Ensure that you have a monitor and USB keyboard available because they are required during this procedure. You also need a power cable so that you can turn on the node while it is out of the rack, if necessary.

You must remove and replace the microprocessor when you replace the system board. Ensure that you have alcohol wipes and thermal grease available to correctly perform this task.

**Note:** When you reassemble the components in the node, be sure to route all cables carefully so that they are not exposed to excessive pressure.

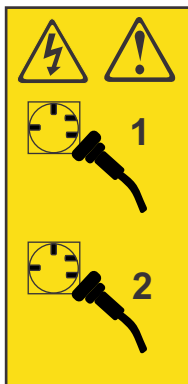
## DANGER

Multiple power cords. The product might be equipped with multiple power cords. To remove all hazardous voltages, disconnect all power cords. (L003)



svc00322

or



svc00735

or



svc00734

This service action assumes that:

- The node is turned off.
- The power cables are disconnected.
- The top cover is removed.
- The system board is removed.

Perform the following steps to install the system board:

1. Unpackage the new system board and set its jumpers appropriately, as shown in Figure 290 on page 289.

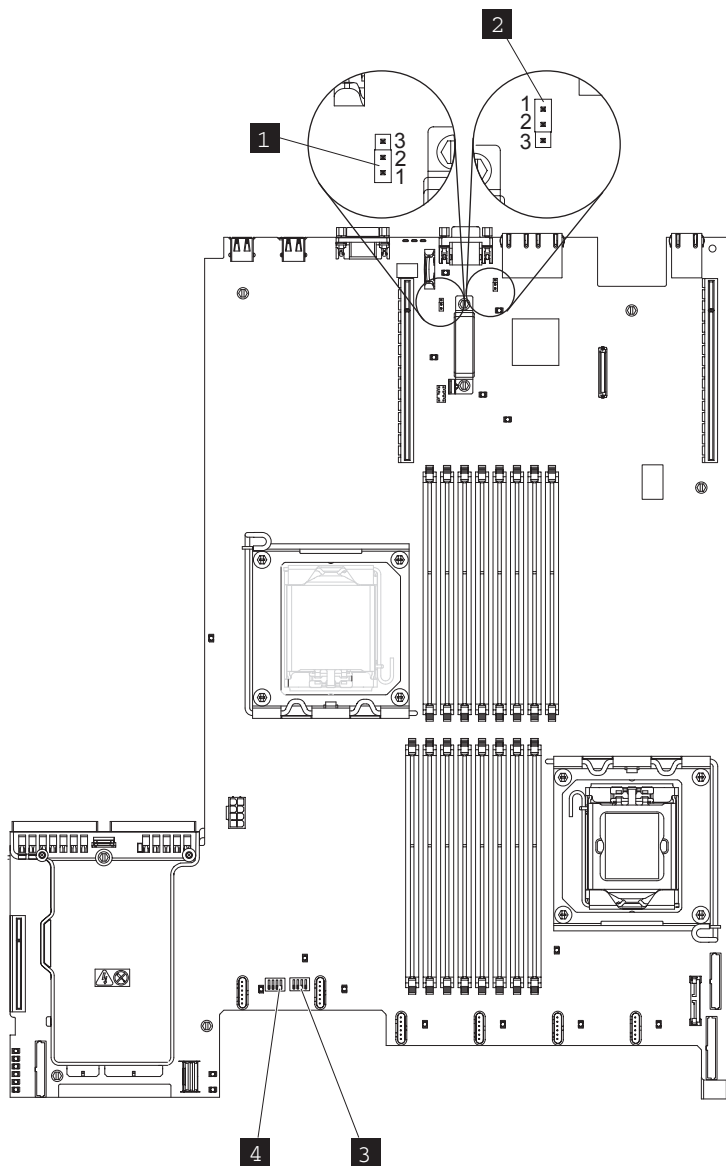


Figure 290. Setting jumpers on the system board

- 1 Jumper J29
- 2 Jumper J147
- 3 SW3 switch block
- 4 SW4 switch block

Set all switches in switch blocks SW3 and SW4 to OFF.

If equipped with a jumper, jump J29 pins 1 and 2. Otherwise, no jumper is required.

If equipped with a jumper, jump J147 pins 1 and 2. Otherwise, no jumper is required.

**Tip:** Jumpers J29 and J147 number pins from different starting positions.

2. Place the side of the system board assembly that is farther from the power supply units beneath the catches. Lower the opposite side of the system board until it is flat in the chassis. Align the rear connectors with the holes in the rear of the server and slide the system board towards the rear of the node, as shown in Figure 291 on page 290.

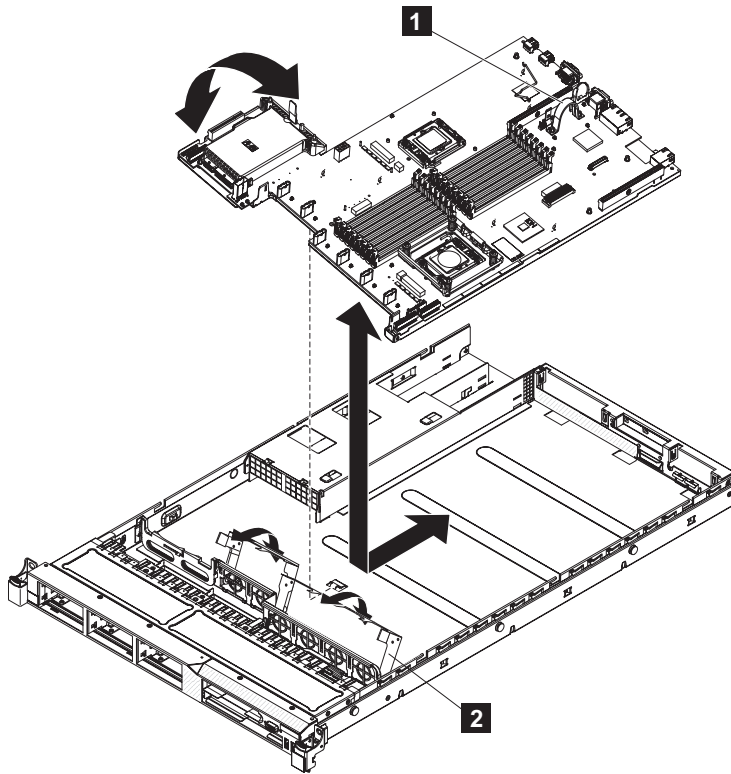


Figure 291. Removing and replacing the SAN Volume Controller 2145-CG8 or 2145-CF8 system board

**1** System-board handle

**2** Fan-assembly bracket

3. Grasp the fan assembly brackets and rotate them down toward the chassis.
4. Replace all of the cables that were removed previously.
5. Reinstall the hot-swap fans, as described in “Replacing the SAN Volume Controller 2145-CG8 or 2145-CF8 fans” on page 245.
6. Reinstall the microprocessor and heat sink, as described in “Replacing the SAN Volume Controller 2145-CG8 or 2145-CF8 microprocessor” on page 259.
7. Reinstall the DIMMs, as described in “Replacing the memory modules (DIMM)” on page 109.
8. Reinstall the white plastic air baffles.
9. Reinstall the power supply units, as described in “Replacing a SAN Volume Controller 2145-CG8 or 2145-CF8 power supply” on page 163.
10. Replace the disk-controller and USB riser-card assembly, as described in “Replacing the SAN Volume Controller 2145-CG8 or 2145-CF8 disk-controller and USB riser-card assembly” on page 210.
11. Replace the optional high-speed SAS-adapter and riser-card assembly, as described in “Replacing the SAN Volume Controller 2145-CG8 or 2145-CF8 high-speed SAS adapter assembly” on page 198.
12. Replace the Fibre Channel adapter and riser card. See “Replacing the Fibre Channel adapter assembly” on page 185.
13. Make sure that all cables, adapters, and other components are installed and seated correctly and that you have not left loose tools or parts inside the node. Make sure that all internal cables are correctly routed. If you disconnected the Fibre Channel and Ethernet cables, make sure that each cable is reconnected to the same port from which it was removed.
14. Replace the top cover. See “Replacing the top cover” on page 81.
15. If you removed the node from the rack, replace the node in the rack, as described in “Replacing the SAN Volume Controller in a rack” on page 55.



16. If you removed any Fibre Channel or Ethernet cables, use the labels you placed on each cable to replace all Fibre Channel and Ethernet cables in the same ports from which they were removed.
17. If you removed the power cords, replace the power cords and the cable-retention brackets, as described in "Replacing the cable-retention bracket" on page 39.
18. Lift the locking levers ( **1** in Figure 292) on the slide rails and push the server **2** all the way into the rack until it clicks into place.

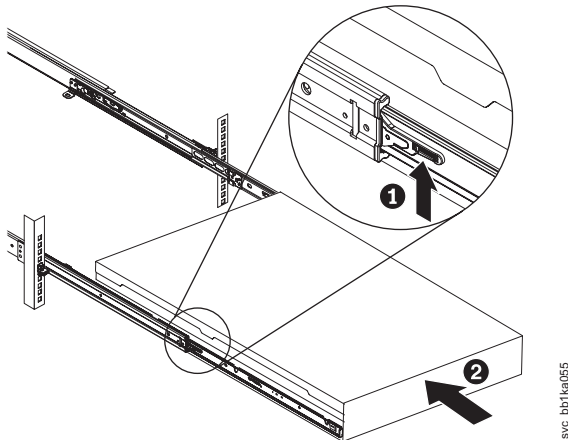


Figure 292. Raising the SAN Volume Controller 2145-CF8 or 2145-CG8 locking levers of the slide rails of the rack

19. Turn on the node. Wait for the front panel display to remain stable for at least five minutes before taking any further action.
  - If the repair has been successful and if the node was able to save its state data before shutting down, the node starts and rejoins the cluster. The front panel displays Cluster: and a cluster name if the node has rejoined a cluster.
  - If the repair has been successful but the node was not able to save its state data before shutting down, the node displays node error 578. Follow the procedures in "Deleting a node from a cluster" in the *IBM System Storage SAN Volume Controller Troubleshooting Guide* to delete the node from the cluster and then add it back into the cluster. If more than one node has failed, ensure that the node is added back into its original I/O group.
  - If any other message is shown on the front panel, use MAP 5000 to resolve the problem.

**Note:** It is essential that you perform all the stages of the next step to ensure that the replacement system is set to the serial number of the original machine. Failure to do this might invalidate the customer's warranty or service agreement.

20. After you make sure that the node is operating as part of the cluster, perform the following steps to restore the original machine serial number to the new system board:
  - a. Start the command-line interface (CLI).
  - b. Write down the 7-character serial number from the serial number label that is on the front of the node. Ignore any hyphens (-) in the serial number.
  - c. On the front-panel display, press and release the down button until the Node panel is displayed. Write down the node name that is shown on the bottom line.
  - d. Issue the following command, substituting the values for *nodeserialnumber* and *nodename* that you wrote in the previous steps:

```
writesernum -sernum nodeserialnumber nodename
```

where *nodeserialnumber* is the serial number on the front of the node and *nodename* is the name of the node.

For example, to write the machine serial number to the system board when the serial number is "13-FEDCB" and the node name is "ZYXW3," you would issue the following command:

```
writesernum -sernum 13FEDCB ZYXW3
```

**Note:** The node will restart as soon as the serial number has been written to it.

## Replacing the SAN Volume Controller 2145-8A4 system board

All the components that were removed when you removed the system board are reused during the installation of the new system board.

Ensure that you have a monitor and USB keyboard available because they are required during this procedure. You also need a power cable so that you can turn on the node while it is out of the rack.

**Note:** When you reassemble the components in the server, be sure to route all cables carefully so that they are not exposed to excessive pressure.

Perform the following steps to install the system board:

1. Align the system board with the chassis, and replace the eight screws that you removed
2. Orient the microprocessor retention module as shown in Figure 293.

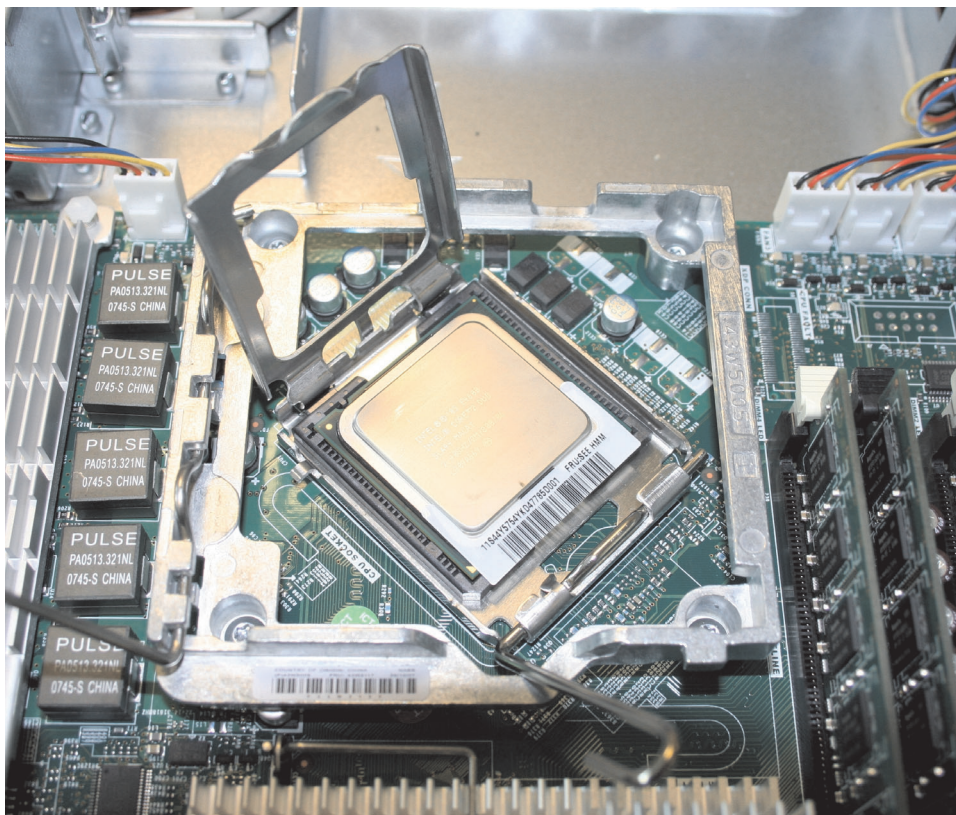


Figure 293. The SAN Volume Controller 2145-8A4 microprocessor bracket frame fully opened

**Attention:** In the following step, do not overtighten the screws or touch the system board with the screwdriver. Tighten the screws only until they are snug, and then tighten them an additional quarter turn.

3. Replace the microprocessor retention module. Gently secure it with the four screws that you removed.

4. Replace the microprocessor, heat sink, and air baffle. See “Replacing the microprocessor” on page 259.
5. Replace the memory modules. See “Replacing the memory modules (DIMM)” on page 109.
6. Replace the fan connectors. See “Replacing the fans” on page 244.
7. Reconnect the cable to the IDE connector.
8. Reconnect the cables to the front USB and the front panel sockets.
9. Replace power connectors P1 and P6.
10. Replace the riser-card and Fibre Channel adapter, and place them on a static-protective surface for reinstallation. See “Replacing the Fibre Channel adapter assembly” on page 185.
11. Replace the top cover. See “Replacing the top cover” on page 81.
12. You must change a BIOS configuration setting before SAN Volume Controller can operate. Ensure that you read and understand these next steps before you proceed because some panels time out when there is no input for 30 seconds.
  - a. Connect a display and keyboard to the node.
  - b. Connect a power cable (it does not need to be from the 2145 UPS-1U).
  - c. Turn on the node.
13. A number of messages are displayed and then message 3001 is displayed:
 

ERROR  
3001 SMART Failure Predicted on Hard Drive

This prediction is not correct. It is displayed because the SAN Volume Controller front panel attaches as a disk drive. After a short pause, the Setup Utility main menu is displayed, but the menu exits if you do not perform an action within 30 seconds.

Perform the following steps to change the BIOS configuration setting:

  - a. Press the down arrow key to move to the Start Options menu and press the Enter key to select it. The current start options settings are displayed.
  - b. Press the down arrow to move to the HDD S.M.A.R.T. Capability option and press the right arrow key to change it to **Disabled**.
  - c. Press the Esc key to return to the main menu and then press the down arrow key to move to the Save Settings option.
  - d. Press the Enter key to select it and then press the Enter key again to confirm that you want to save the settings.
14. After you have saved the settings, press the power button on the operator-information panel to turn off the node. Remove the power cable, keyboard, and monitor.
15. Place the node in the rack. See “Replacing the SAN Volume Controller in a rack” on page 55.
16. Reconnect the Fibre Channel and Ethernet cables. Ensure that you replace the Fibre Channel and Ethernet cables in the same ports from which they were removed.
17. Replace the cable-retention bracket. See “Replacing the cable-retention bracket” on page 39.
18. Turn on the node. Wait for the front-panel display to remain stable for at least five minutes before taking any further action.
  - If the repair has been successful and if the node was able to save its state data before shutting down, the node starts and rejoins the cluster. The front panel displays Cluster: and a cluster name if the node has rejoined a cluster.
  - If the repair has been successful but the node was not able to save its state data before shutting down, the node displays node error 578. Follow the procedures in “Deleting a node from a cluster” in the *IBM System Storage SAN Volume Controller Troubleshooting Guide* to delete the node from the cluster and then add it back into the cluster. If more than one node has failed, ensure that the node is added back into its original I/O group.
  - If any other message is shown on the front panel, use MAP 5000 in the *IBM System Storage SAN Volume Controller Troubleshooting Guide* to resolve the problem.

**Note:** It is essential that you perform all the stages of the next step to ensure that the replacement system is set to the serial number of the original machine. Failure to do this might invalidate the customer's warranty or service agreement.

19. After you make sure that the node is operating as part of the cluster, perform the following steps to restore the original machine serial number to the new system board:
  - a. Start the command-line interface (CLI).
  - b. Write down the 7-character serial number from the serial number label that is on the front of the node. Ignore any hyphens (-) in the serial number.
  - c. On the front-panel display, press and release the down button until the Node panel is displayed. Write down the node name that is shown on the bottom line.
  - d. Issue the following command, substituting the values for *nodeserialnumber* and *nodename* that you wrote in the previous steps:

```
writesernum -sernum nodeserialnumber nodename
```

where *nodeserialnumber* is the serial number on the front of the node and *nodename* is the name of the node.

For example, to write the machine serial number to the system board when the serial number is "13-FEDCB" and the node name is "ZYXW3," you would issue the following command:

```
writesernum -sernum 13FEDCB ZYXW3
```

**Note:** The node will restart as soon as the serial number has been written to it.

## Replacing the SAN Volume Controller 2145-8G4 system board

All the components that were removed when you removed the system board are reused during the installation of the new system board.

There are two versions of the SAN Volume Controller 2145-8G4. The original version (Rev 1) has two microprocessors and eight 1 GB memory modules. The second version (Rev 2) has one microprocessor and four 2 GB memory modules.

Perform the following steps to install the system board:

1. Lower the right side into place with the system board positioned slightly towards the front of the box. Lower the left edge of the system board into place and then push the system board towards the back of the box until it engages in place and the screw holes line up. Take care to ensure that the Ethernet ports on the rear of the system board engage in the frame cutouts.

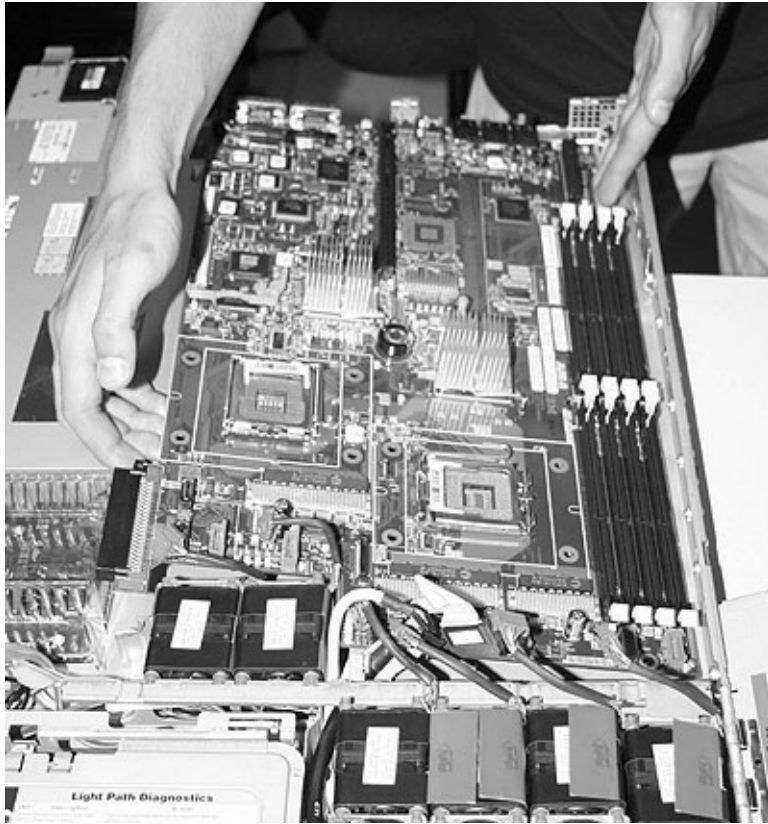


Figure 294. SAN Volume Controller 2145-8G4 system board

2. Replace the six screws on the system board, as shown in Figure 295 on page 296, to secure the system board to the chassis.

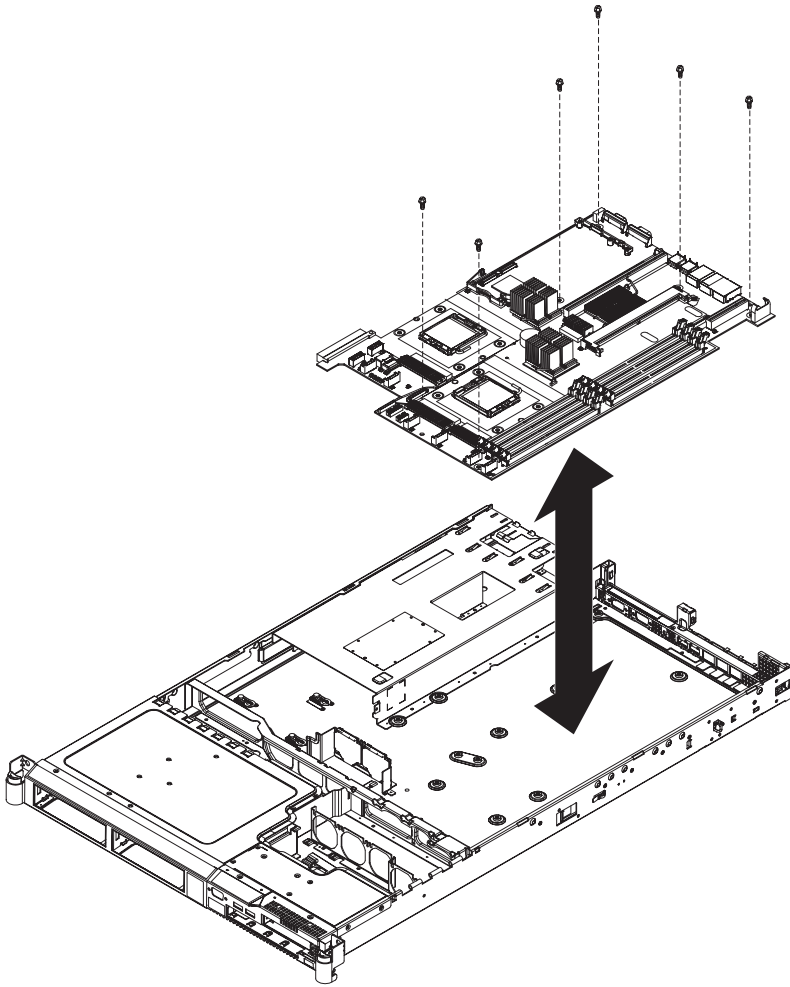


Figure 295. The placement of the screws that secure the SAN Volume Controller 2145-8G4 system board

3. Replace the four stand-off screws from beside the I/O ports at the rear of the server. Figure 296 shows the location of the stand-off screws.

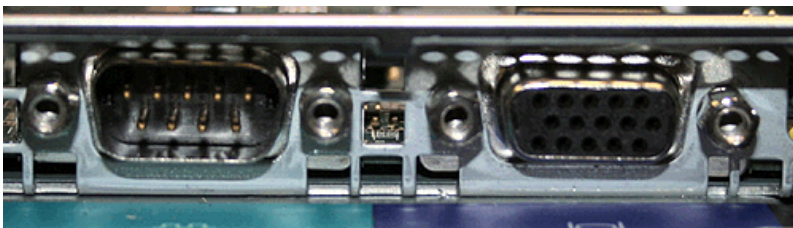


Figure 296. Serial and video ports on the SAN Volume Controller 2145-8G4

4. Replace the power backplane by pushing it right to connect it to the system board and pushing the power supply back in to connect to it. See "Replacing the power backplane" on page 173.
5. Install one of the microprocessors while carefully checking the orientation and remembering to close the release lever, which is shown in Figure 297 on page 297.

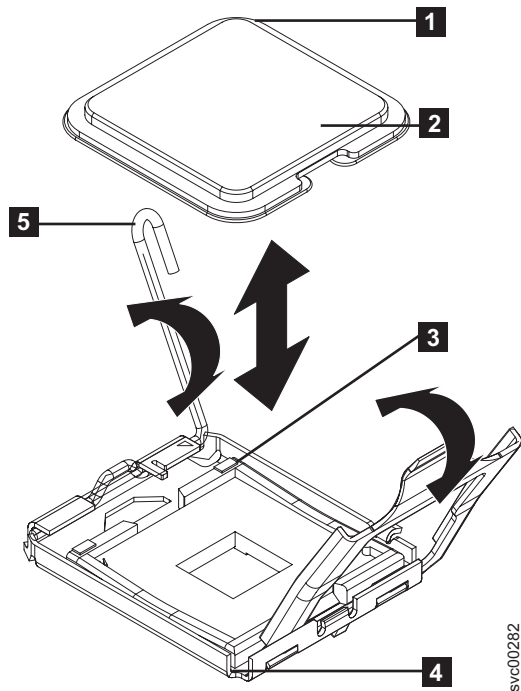
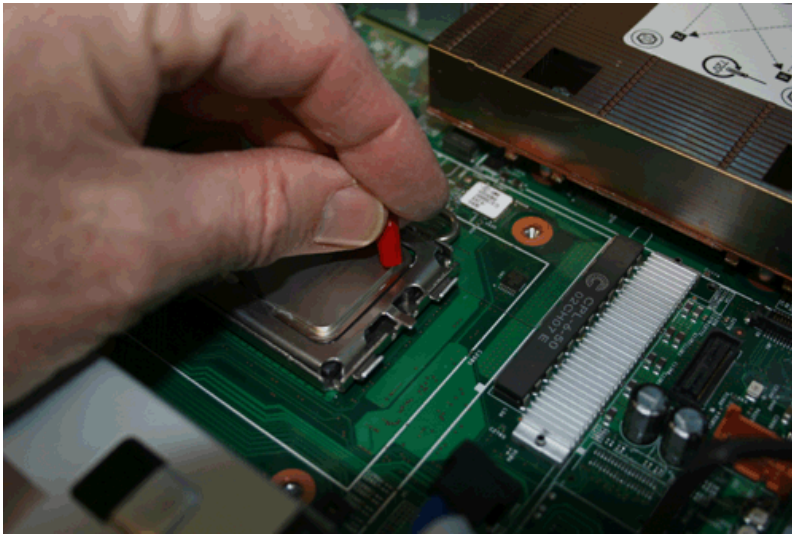


Figure 297. Installing the microprocessor

- 1** Microprocessor orientation indicator
  - 2** Microprocessor
  - 3** Microprocessor orientation indicator
  - 4** Microprocessor connector
  - 5** Microprocessor release lever
6. Install a heat sink. If this is an original version of the SAN Volume Controller 2145-8G4 node, you will install the other heat sink in step 7 on page 298.
- a. Apply thermal grease to the top of the microprocessor. Apply nine dots of thermal grease in three rows of three dots each with the outer rows approximately 5 mm from the edge of the microprocessor. The diameter of the cap from the thermal grease syringe is 5 mm, so you can use it to judge the required position of the dots of thermal grease, as shown in Figure 298 on page 298.



svc00413

Figure 298. Estimating the position of the thermal grease dots

- b. For each dot of thermal grease, use two divisions on the syringe scale, which is 0.02 ml of grease. You will use about half the syringe contents for the nine dots. Figure 299 shows how the microprocessor appears with the nine dots of grease.



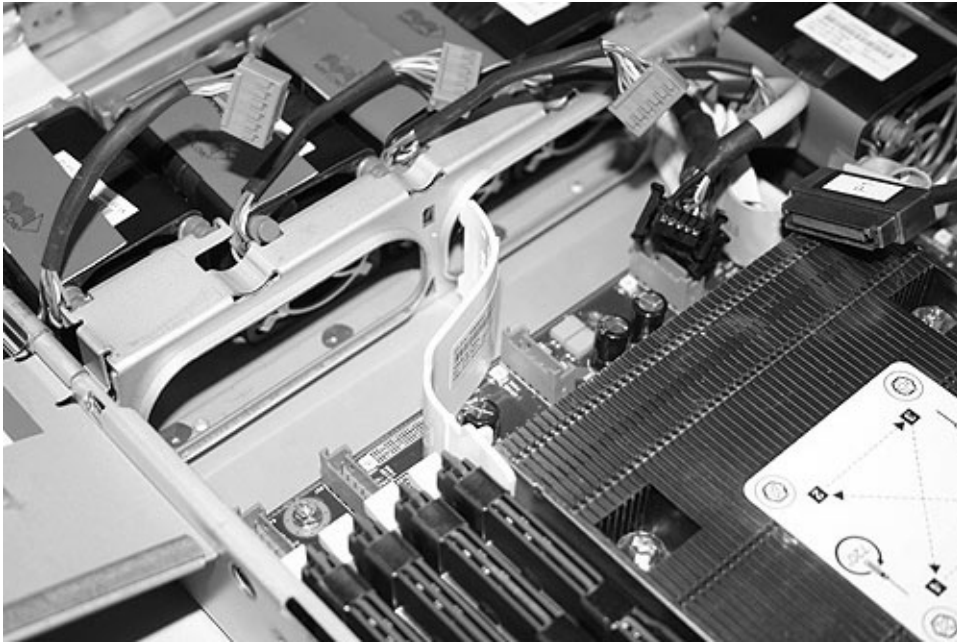
svc00414

Figure 299. Complete set of nine thermal grease dots on the microprocessor

- c. Install the heat sink by gently squeezing it down onto the thermal grease and then tightening the four retaining screws alternately and evenly.
7. If this is a Rev 1 node, repeat steps 5 on page 296 and 6 on page 297 for the second microprocessor and heat sink. If this is a Rev 2 node, continue with the next step.
  8. Replace either eight memory modules for the Rev 1 node or four memory modules for the Rev 2 node. See “Replacing the memory modules (DIMM)” on page 109.
  9. Replace the right air baffle, which is shown in Figure 300 on page 299.
    - a. Locate the pin on the bottom of the air baffle in the locating hole on the system board.
    - b. Push the baffle backwards to locate it in place.



- c. Pull the baffle slightly to the right to locate the two clips in the support rail.



*Figure 300. Right air baffle on the SAN Volume Controller 2145-8G4 system board*

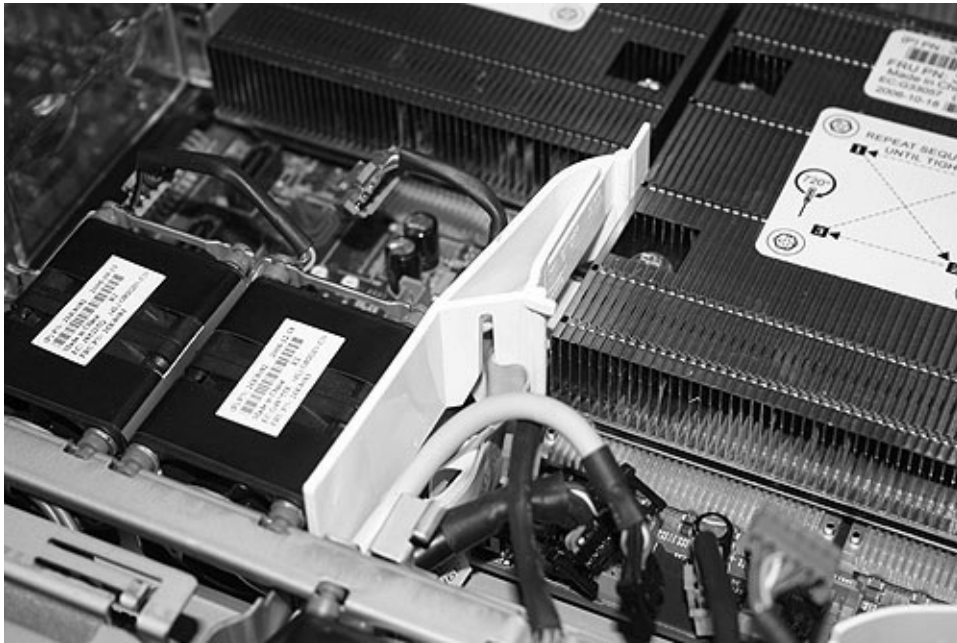
10. Reconnect the light path ribbon cable connector and the CD-RW ribbon cable connector, as shown in Figure 301 on page 300.
  - a. Replace the video cable connector and the USB cable connector.
  - b. Replace the cable connectors for fans 6, 5, 4 and 3.



Figure 301. Connectors on the right front side of the SAN Volume Controller 2145-8G4 system board

- 1** CD-RW connector
- 2** Light path cable connector
- 3** Video cable connector
- 4** USB cable connector
- 5** Fan 3 connector
- 6** Fan 4 connector
- 7** Fan 5 connector
- 8** Fan 6 connector

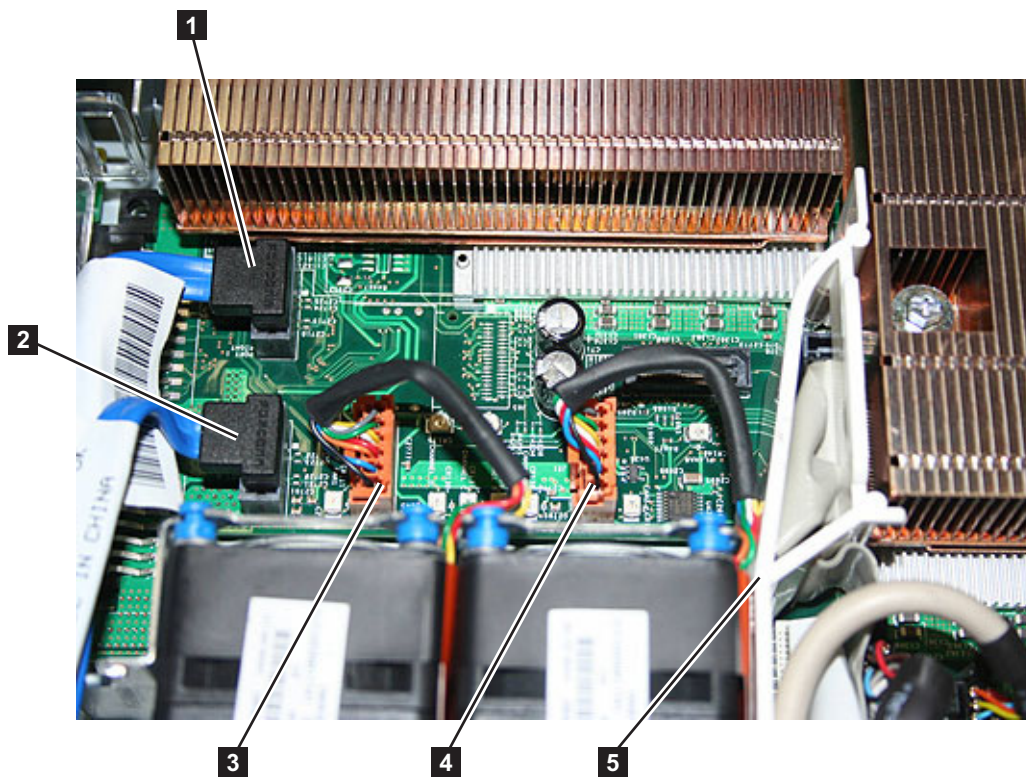
11. Replace the left air baffle, which is shown in Figure 302 on page 301. You must position the CD-RW cable within the baffle.



svc00379

Figure 302. Left air baffle on the SAN Volume Controller 2145-8G4

12. Replace fan 2.
13. Replace the cable connectors for fans 2 and 1, as shown in Figure 303.



svc00377

Figure 303. Connectors on the SAN Volume Controller 2145-8G4 system board

- 1 Right disk signal cable connector

**2** Left disk signal cable connector

**3** Fan 1 connector

**4** Fan 2 connector

14. Replace the left disk drive cable in the front socket and the right disk drive cable in the rear socket.
15. Replace the riser card that you removed from adapter slot 2. Push it into its connector.
16. Replace the Fibre Channel adapter and riser card. See “Replacing the Fibre Channel adapter assembly” on page 185.
17. Replace the top cover. See “Replacing the top cover” on page 81.
18. Place the node in the rack. See “Replacing the SAN Volume Controller in a rack” on page 55.
19. Turn on the node. Wait for the front panel display to remain stable for at least five minutes before taking any further action.
  - If the repair has been successful and if the node was able to save its state data before shutting down, the node starts and rejoins the cluster. The front panel displays **Cluster:** and a cluster name if the node has rejoined a cluster.
  - If the repair has been successful but the node was not able to save its state data before shutting down, the node displays node error 578. Follow the procedures in “Deleting a node from a cluster” in the *IBM System Storage SAN Volume Controller Troubleshooting Guide* to delete the node from the cluster and then add it back into the cluster. If more than one node has failed, ensure that the node is added back into its original I/O group.
  - If any other message is shown on the front panel, use MAP 5000 to resolve the problem.

**Note:** It is essential that you perform all the stages of the next step to ensure that the replacement system is set to the serial number of the original machine. Failure to do this might invalidate the customer's warranty or service agreement.

20. After you make sure that the node is operating as part of the cluster, perform the following steps to restore the original machine serial number to the new system board:
  - a. Start the command-line interface (CLI).
  - b. Write down the 7-character serial number from the serial number label that is on the front of the node. Ignore any hyphens (-) in the serial number.
  - c. On the front-panel display, press and release the down button until the Node panel is displayed. Write down the node name that is shown on the bottom line.
  - d. Issue the following command, substituting the values for *nodeserialnumber* and *nodename* that you wrote in the previous steps:

```
writesernum -sernum nodeserialnumber nodename
```

where *nodeserialnumber* is the serial number on the front of the node and *nodename* is the name of the node.

For example, to write the machine serial number to the system board when the serial number is “13-FEDCB” and the node name is “ZYXW3,” you would issue the following command:

```
writesernum -sernum 13FEDCB ZYXW3
```

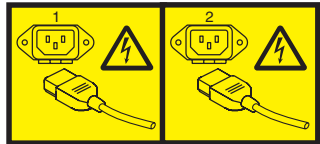
**Note:** The node will restart as soon as the serial number has been written to it.

## Removing the redundant ac-power switch

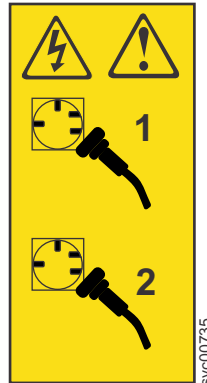
Use this topic when you need to remove a redundant ac-power switch.

### DANGER

**Multiple power cords.** The product might be equipped with multiple power cords. To remove all hazardous voltages, disconnect all power cords. (L003)



or



or



Use the reference numbers in parentheses at the end of each notice, such as (C003) for example, to find the matching translated notice in *IBM System Storage SAN Volume Controller Safety Notices*.

To remove a redundant ac-power switch, complete the following steps:

1. Turn off each SAN Volume Controller node that is connected by an uninterruptible power supply to the redundant ac-power switch. See MAP 5350 in the *IBM System Storage SAN Volume Controller Troubleshooting Guide*.
  - a. One or two nodes might be connected to the redundant ac-power switch. If two nodes are connected to the redundant ac-power switch, you must ensure that both nodes are not in the same I/O group before you turn off the nodes. If the nodes are both turned off and they are in the same I/O group, the customer will lose access to the data that is managed by that I/O group.
  - b. If both nodes that are powered by the redundant ac-power switch are in the same I/O group, turn off one node, disconnect it from the redundant ac-power switch, and connect it to a different power source. Then turn the node back on. When it has recovered and rejoined the I/O group, it can maintain the I/O access when the other node is turned off and when the redundant ac-power switch is removed. If you have had to perform this operation, pay particular attention to checking when it is safe to turn off the second node. See MAP 5350 in the *IBM System Storage SAN Volume Controller Troubleshooting Guide*.
2. Remove both the redundant ac-power switch input-power cables from the site power distribution unit and unthread them in the rack, so they will slide out when the redundant ac-power switch is removed. There might be enough access to disconnect them from the redundant ac-power switch while it is in the rack, but often it is more convenient to leave them attached and remove them with the redundant ac-power switch.
3. Remove the one or two redundant ac-power switches to 2145 UPS-1U power cables from the redundant ac-power switch. There is no need to disconnect them from the 2145 UPS-1U.
4. Remove the four screws that hold the redundant ac-power switch in the rack. Be careful to support the redundant ac-power switch during this procedure because the screws are the only support for the unit.
5. The redundant ac-power switch can be slid out of the rack along with the input-power cables if they are still attached.

---

## Replacing the redundant ac-power switch

Use this topic when you need to replace a redundant ac-power switch.

The redundant ac-power switch FRU assembly includes the redundant ac-power switch and the input power cables. They should all be replaced together.

These instructions assume that a redundant ac-power switch has been removed and the one or two nodes that were connected to it are powered off.

To replace a redundant ac-power switch, complete the following steps:

1. Attach each of the two mounting plates to the redundant ac-power switch using three M3 Torx T8 head screws. Position the mounting face, as shown in Figure 304, on the side of the redundant ac-power switch that contains the output power sockets.



Figure 304. Attaching the mounting plates

2. Using the labels provided, label each end of the two redundant ac-power switch input power cables. Unless the configuration is changing, the labels are the same as those on the cables removed with the old redundant ac-power switch. Label the rack power distribution end "Power source <name>, outlet <id>" to redundant ac-power switch <location> <MAIN | BACKUP> input. For example: "Power source D2, outlet 4 to redundant ac-power switch pos 7 MAIN input".
3. Label the redundant ac-power switch end "redundant ac-power switch <location> <MAIN | BACKUP> input from Power source <name>, outlet <id>".
4. Connect the input power cables to the redundant ac-power switch. You want to connect the cables now, because it is difficult to access the input power sockets on the redundant ac-power switch when it is installed in a rack.
5. Connect the main input power cable to the redundant ac-power switch.
6. Connect the backup input power cable to the redundant ac-power switch.
7. Secure both the redundant ac-power switch input cables, as shown in Figure 305 on page 305, using the clips of the redundant ac-power switch.



Figure 305. Power cable clips

8. Install the redundant ac-power switch in the rack. The four “C” clips for mounting the unit should already be positioned in the rack mounting bar.
9. Position the redundant ac-power switch in the rack, pushing the cables through to the front of the rack. Mount in place using the four M6 screws.
10. Connect the redundant ac-power switch power input cables to the site power.
  - a. Determine a suitable cable route from the redundant ac-power switch to the power distribution units.
  - b. Route the main input power cable of the redundant ac-power switch to the specified power distribution unit, and connect it.
  - c. Route the backup input power cable of the redundant ac-power switch to the specified power distribution unit, and connect it.
  - d. Verify that the redundant ac-power switch power cables are tidy. Ensure that they do not obstruct other equipment and are tied in place where necessary.
11. Test the redundant ac-power switch before connecting it to the 2145 UPS-1U, using MAP 5340 in the *IBM System Storage SAN Volume Controller Troubleshooting Guide*.
12. Connect the one or two 2145 UPS-1U units that are powered by this redundant ac-power switch. The power cables should still be plugged into the 2145 UPS-1U units.
  - a. Connect the other end into the output power sockets on the front of the redundant ac-power switch.
  - b. Check the labels on the cables to see which socket they should be connected to.
  - c. If the uninterruptible power supply units do not power on automatically, power them on by pressing the power button for five seconds.
13. Power on the one or two SAN Volume Controller nodes connected to this redundant ac-power switch.

---

## Removing and replacing 2145 UPS-1U parts

The remove and replace procedures for the 2145 UPS-1U field replaceable units are described in the topics which follow.

## Removing and replacing the 2145 UPS-1U power cable-retention bracket

The 2145 UPS-1U power cable-retention bracket prevents accidental removal of the power cable that connects the 2145 UPS-1U to the SAN Volume Controller node.

**Note:** The 2145 UPS-1U power cable-retention bracket (shown in Figure 306) can be attached only to the most recent versions of the 2145 UPS-1U. Older versions do not have the correct mounting holes.

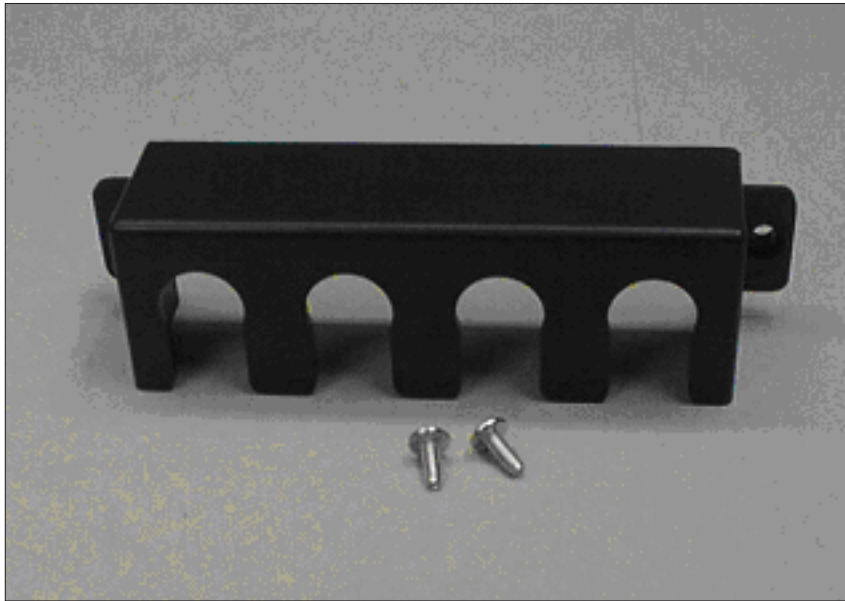


Figure 306. 2145 UPS-1U power cable-retention bracket hardware

### Removing the 2145 UPS-1U power cable-retention bracket

Perform the following steps to remove the 2145 UPS-1U power cable-retention bracket:

1. Remove the retaining screw from each side of the bracket.



Figure 307. 2145 UPS-1U power cable-retention bracket

2. Lift the bracket off the cable.

### Replacing the 2145 UPS-1U power cable-retention bracket:

Perform the following steps to replace the 2145 UPS-1U power cable-retention bracket:

1. Ensure that the output power cable is securely in place.



2. Place the bracket over the power supply inlets on the right rear of the 2145 UPS-1U, so that the two screw holes line up.
3. Ensure that the power cable runs through the rightmost slot in the bracket.
4. Secure the bracket in place with one screw on each side, as shown in Figure 308.



Figure 308. 2145 UPS-1U power cable-retention bracket

## Removing the 2145 UPS-1U

Before you remove the 2145 UPS-1U, read all safety notices.

- | Use the reference numbers in parentheses at the end of each notice, such as (C003) for example, to find the matching translated notice in *IBM System Storage SAN Volume Controller Safety Notices*.

### DANGER

Uninterruptible power supply units contain specific hazardous materials. Observe the following precautions if your product contains an uninterruptible power supply:

- The uninterruptible power supply contains lethal voltages. All repairs and service must be performed only by an authorized service support representative. There are no user serviceable parts inside the uninterruptible power supply.
- The uninterruptible power supply contains its own energy source (batteries). The output receptacles might carry live voltage even when the uninterruptible power supply is not connected to an ac supply.
- Do not remove or unplug the input cord when the uninterruptible power supply is turned on. This removes the safety ground from the uninterruptible power supply and the equipment connected to the uninterruptible power supply.
- The uninterruptible power supply is heavy because of the electronics and batteries that are required. To avoid injury, observe the following precautions:
  - Do not attempt to lift the uninterruptible power supply by yourself. Ask another service representative for assistance.
  - Remove the battery, electronics assembly, or both from the uninterruptible power supply before removing the uninterruptible power supply from the shipping carton or installing or removing the uninterruptible power supply in the rack.

(D007)

### CAUTION:

This part or unit is heavy but has a weight smaller than 18 kg (39.7 lb). Use care when lifting, removing, or installing this part or unit. (C008)

Perform the following steps to remove the 2145 UPS-1U:

**Attention:** Check to make sure that the SAN Volume Controller that is powered by this 2145 UPS-1U is shut down and turned off, prior to step 1. See MAP 5350 in the *IBM System Storage SAN Volume Controller Troubleshooting Guide*.

1. At the front of the 2145 UPS-1U, press and hold the on/off button ( **1** in Figure 309) until the power light is extinguished (approximately five seconds). On some versions of the 2145 UPS-1U, you need a pointed device, such as a screwdriver, to press the on/off button. The 2145 UPS-1U enters standby mode.

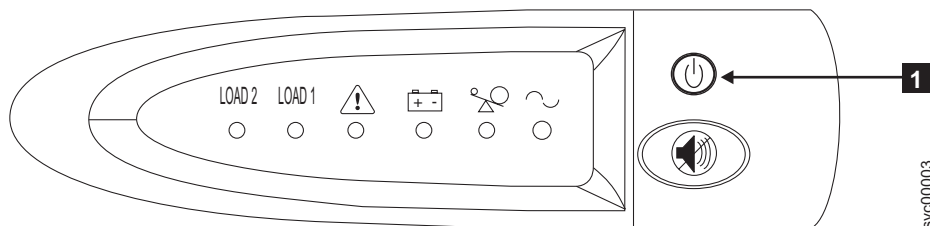


Figure 309. The 2145 UPS-1U front-panel assembly

2. At the back of the 2145 UPS-1U, remove the power cable retainer before disconnecting the SAN Volume Controller power cable from load segment receptacle 2 ( **3** in Figure 310).
3. Disconnect the signal cable from the communication port ( **2** in Figure 310).
4. Disconnect the main power cable from the main power source ( **1** in Figure 310).

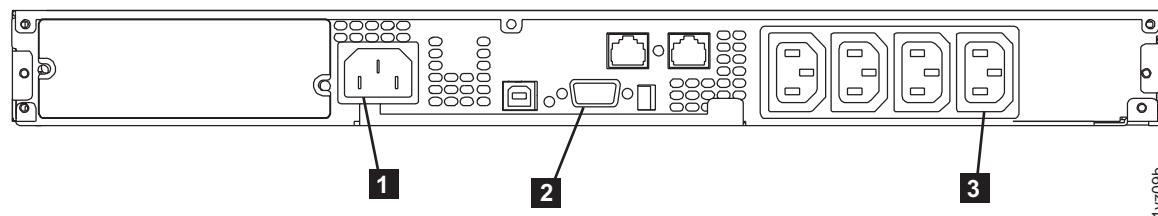
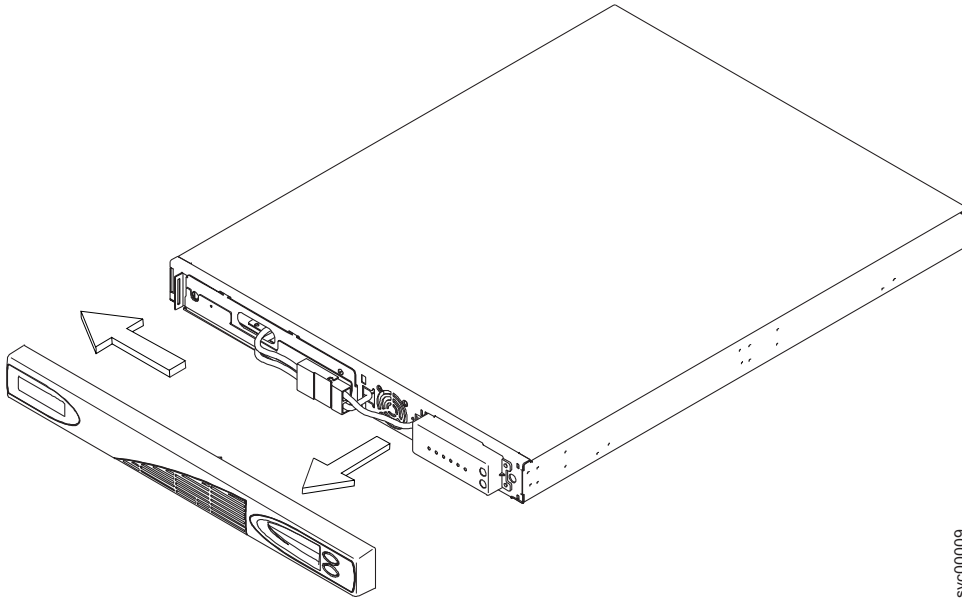


Figure 310. 2145 UPS-1U (rear view)

Some SAN Volume Controller node types have two power supply units. Both power supplies must be connected to the same 2145 UPS-1U. The SAN Volume Controller 2145-CF8 is an example of a node that has two power supplies. The SAN Volume Controller 2145-8A4 is an example of a node that has a single power supply.

5. Remove the 2145 UPS-1U front panel, as shown in Figure 311 on page 309.

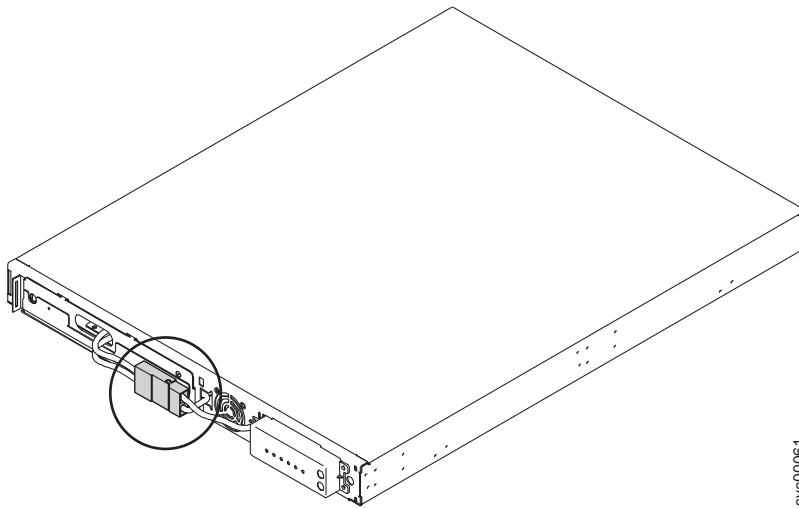
**Note:** If you are having difficulty pulling the right side of the panel free from the 2145 UPS-1U, insert a flat-blade screwdriver between the right side of the cover and the frame and gently pry it free.



svc00009

Figure 311. Removing the 2145 UPS-1U front panel

6. Disconnect the internal battery connector, which is circled in Figure 312.



svc00061

Figure 312. The 2145 UPS-1U internal-battery connector

7. After pulling the two connectors apart, cover the exposed battery connector (shown in Figure 313 on page 310) with adhesive tape.

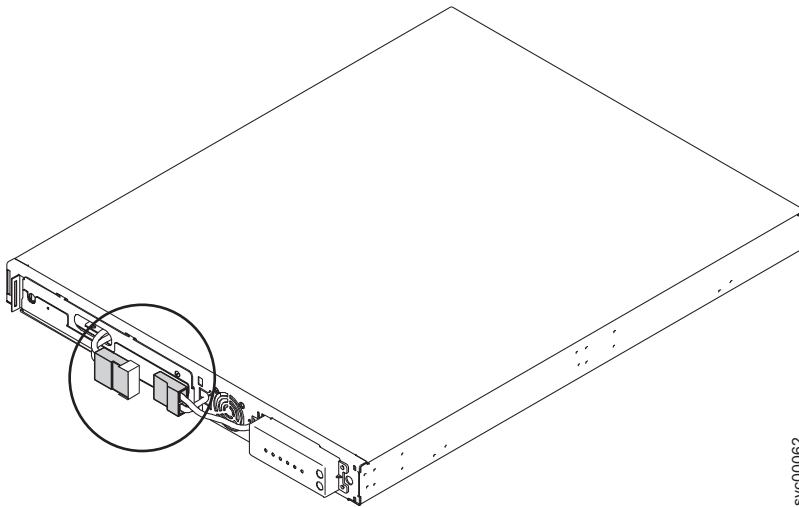


Figure 313. The 2145 UPS-1U internal battery connector with protective tape

8. Reinstall the front panel.
9. At the front of the 2145 UPS-1U, unscrew the two mounting screws **1**, as shown in Figure 314.

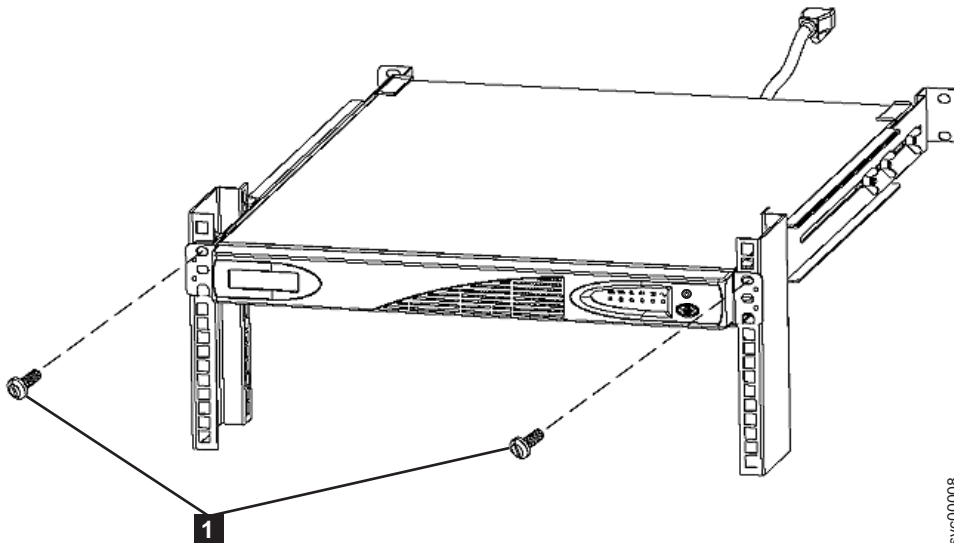


Figure 314. Mounting screws for the 2145 UPS-1U

10. From the back of the rack, push the 2145 UPS-1U forward approximately 5 cm (2 in) to enable you to pull it from the rack.
11. Go to the front of the rack.
12. Pull the 2145 UPS-1U forward and remove it from the rack.

## Replacing the 2145 UPS-1U

You can replace the 2145 UPS-1U only after you remove the previous uninterruptible power supply.

- | Use the reference numbers in parentheses at the end of each notice, such as (C003) for example, to find
- | the matching translated notice in *IBM System Storage SAN Volume Controller Safety Notices*.

## DANGER

Uninterruptible power supply units contain specific hazardous materials. Observe the following precautions if your product contains an uninterruptible power supply:

- The uninterruptible power supply contains lethal voltages. All repairs and service must be performed only by an authorized service support representative. There are no user serviceable parts inside the uninterruptible power supply.
- The uninterruptible power supply contains its own energy source (batteries). The output receptacles might carry live voltage even when the uninterruptible power supply is not connected to an ac supply.
- Do not remove or unplug the input cord when the uninterruptible power supply is turned on. This removes the safety ground from the uninterruptible power supply and the equipment connected to the uninterruptible power supply.
- The uninterruptible power supply is heavy because of the electronics and batteries that are required. To avoid injury, observe the following precautions:
  - Do not attempt to lift the uninterruptible power supply by yourself. Ask another service representative for assistance.
  - Remove the battery, electronics assembly, or both from the uninterruptible power supply before removing the uninterruptible power supply from the shipping carton or installing or removing the uninterruptible power supply in the rack.

(D007)

## CAUTION:

This part or unit is heavy but has a weight smaller than 18 kg (39.7 lb). Use care when lifting, removing, or installing this part or unit. (C008)

Perform the following steps to replace the 2145 UPS-1U:

1. Place the 2145 UPS-1U on a flat, stable surface with the front of the 2145 UPS-1U facing toward you.
2. On each side of the 2145 UPS-1U, attach the long end of a mounting bracket to the 2145 UPS-1U using four of the supplied M3 × 6 screws ( **2** in Figure 315).

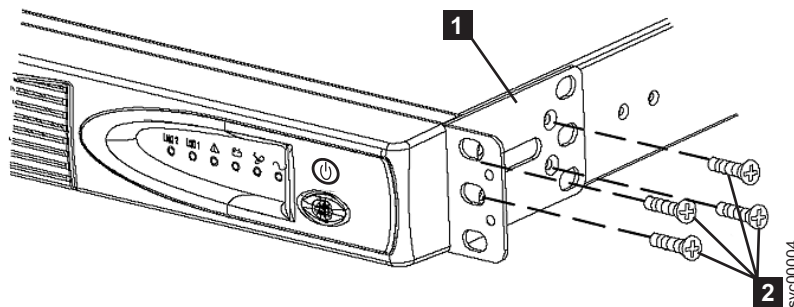


Figure 315. Installing the support rails for a 2145 UPS-1U into the rack

3. Stand at the front of the rack and place the back of the 2145 UPS-1U onto the support rails, and then slide the 2145 UPS-1U into the rack.
4. At the front of the 2145 UPS-1U, install the two mounting screws ( **1** in Figure 316 on page 312).

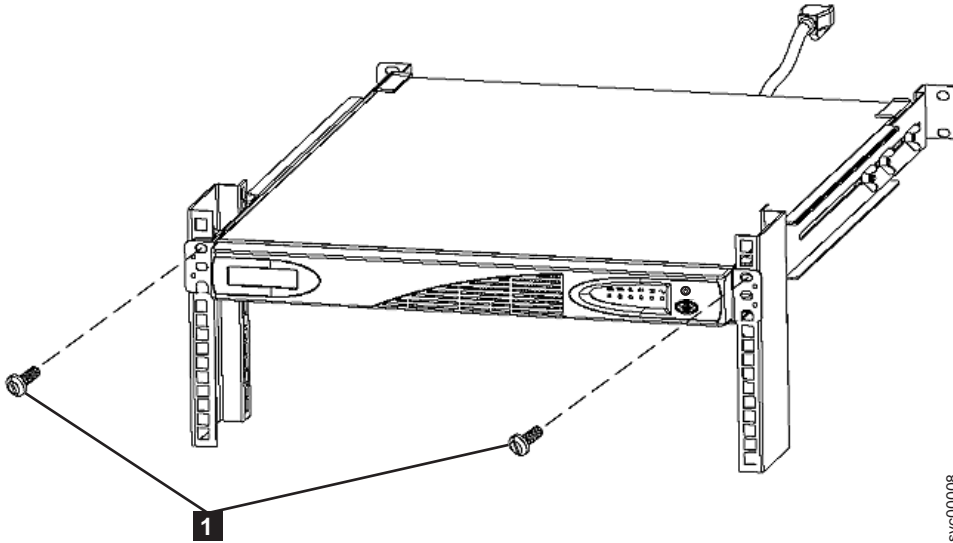


Figure 316. Mounting screws for the 2145 UPS-1U

5. Remove the 2145 UPS-1U front panel by pulling it towards you and to the left, as shown in Figure 317.

**Note:** If you are having difficulty pulling the right side of the panel free from the 2145 UPS-1U, insert a flat-blade screwdriver between the right side of the cover and the frame and gently pry it free.

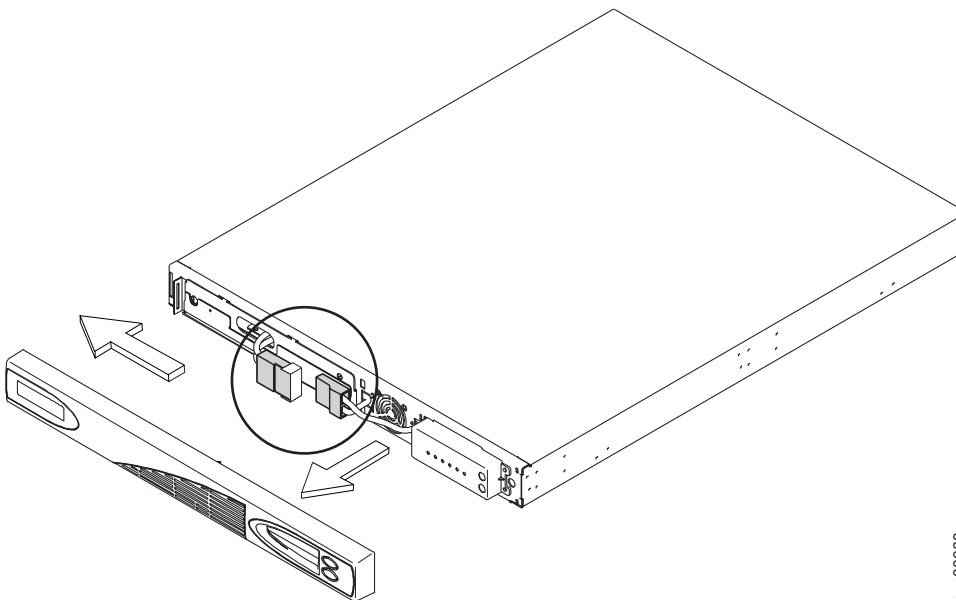


Figure 317. Removing the 2145 UPS-1U front panel

6. Remove the protective tape from the internal battery connector (circled in Figure 318 on page 313).

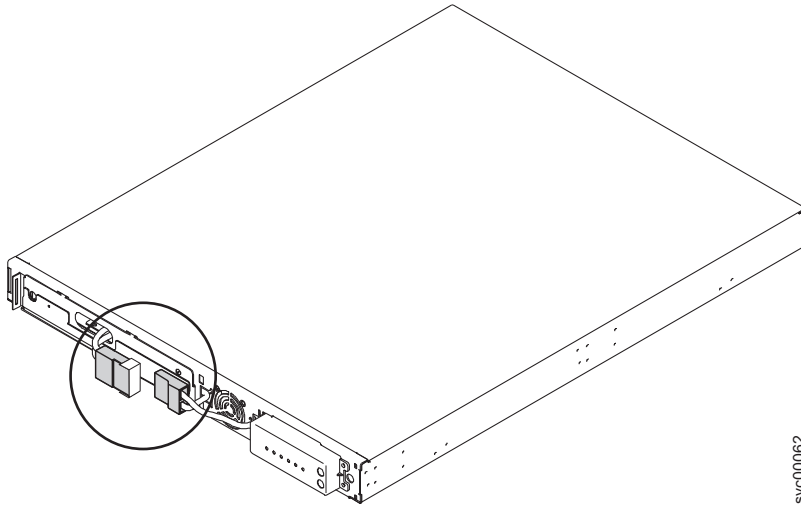


Figure 318. The 2145 UPS-1U internal battery connector with protective tape

7. Connect the internal battery connector (circled in Figure 319).

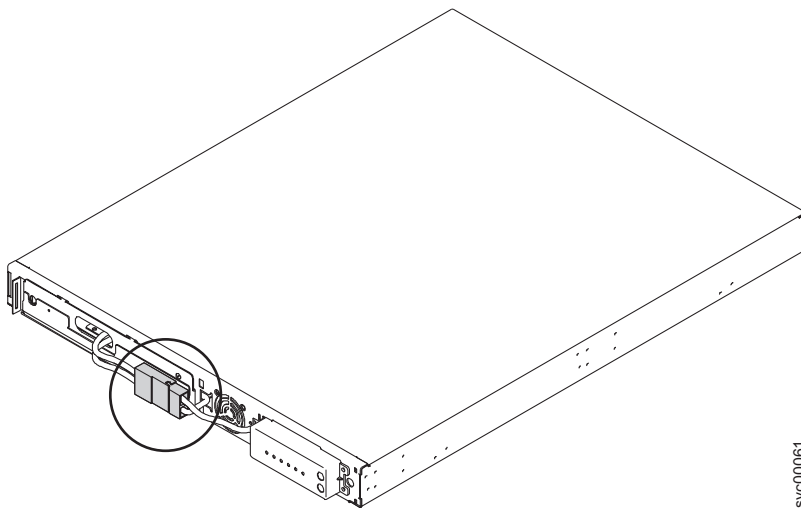


Figure 319. The 2145 UPS-1U with internal battery connectors in place

**Note:** A small amount of arcing may occur when connecting the batteries. This is normal and does not damage the unit or present any safety concerns.

8. Reinstall the front panel.
9. At the back of the 2145 UPS-1U, connect the SAN Volume Controller power cable to load segment 2 receptacle ( **3** in Figure 321 on page 314). If applicable, install the power cable-retention bracket (shown in Figure 320 on page 314).

**Note:** The 2145 UPS-1U is intended to maintain power on a single SAN Volume Controller node until data can be saved to the local hard disk drive. Only SAN Volume Controller nodes can be plugged in to the 2145 UPS-1U or else the SAN Volume Controller cluster malfunctions. You must attach only one SAN Volume Controller to the 2145 UPS-1U, and nothing else.



Figure 320. The 2145 UPS-1U cable retention bracket connected to the 2145 UPS-1U

10. Reconnect the SAN Volume Controller signal cable to the communication port ( **2** in Figure 321).
11. Reconnect the 2145 UPS-1U main power cable, from either the power distribution unit or from the redundant ac-power switch, into the input connector ( **1** in Figure 321).

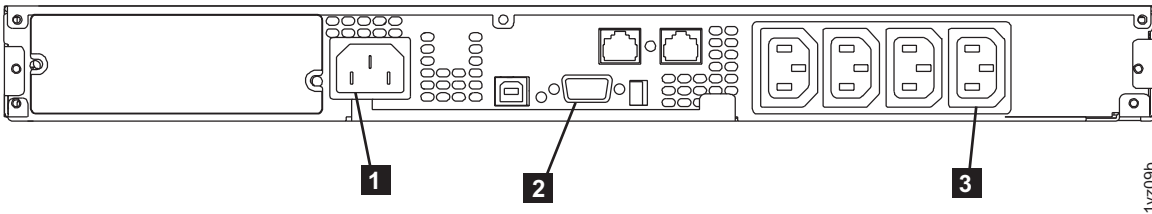


Figure 321. 2145 UPS-1U (rear view)

The 2145 UPS-1U is now in standby mode with the SAN Volume Controller offline. All indicators that are shown in Figure 321 are off.

12. To turn on the 2145 UPS-1U, press and hold the on/off button ( **2** in Figure 322). On some versions of the 2145 UPS-1U, you need a pointed device, such as a screwdriver, to press the on/off button. The 2145 UPS-1U undergoes a self-test, taking approximately five seconds, before the power-on indicator **1** and the load indicators ( **7** and **8** ) light up permanently to indicate that the 2145 UPS-1U is supplying power to the SAN Volume Controller. The 2145 UPS-1U begins to charge its battery while in normal mode.

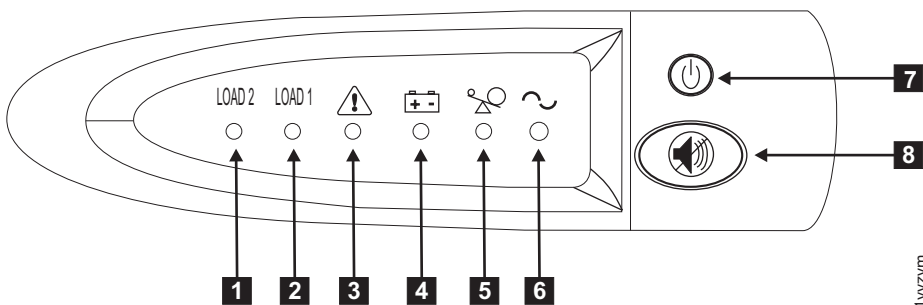


Figure 322. 2145 UPS-1U front-panel assembly

**Note:** If the 2145 UPS-1U battery is not sufficiently charged, the SAN Volume Controller node will not be able to join the cluster. The node will display Charging on its front panel until the 2145 UPS-1U battery has reached sufficient charge, which could take an hour. When the SAN Volume Controller node rejoins the cluster, it might display Recovering on its front panel while the 2145 UPS-1U battery finalizes its charge.



## Removing the support rails for a 2145 UPS-1U

You can remove the support rails for the 2145 UPS-1U.

Perform the following steps to remove the support rails:

1. Loosen and remove the two M6 × 10 screws from each side of the 2145 UPS-1U. See **1** in Figure 323.

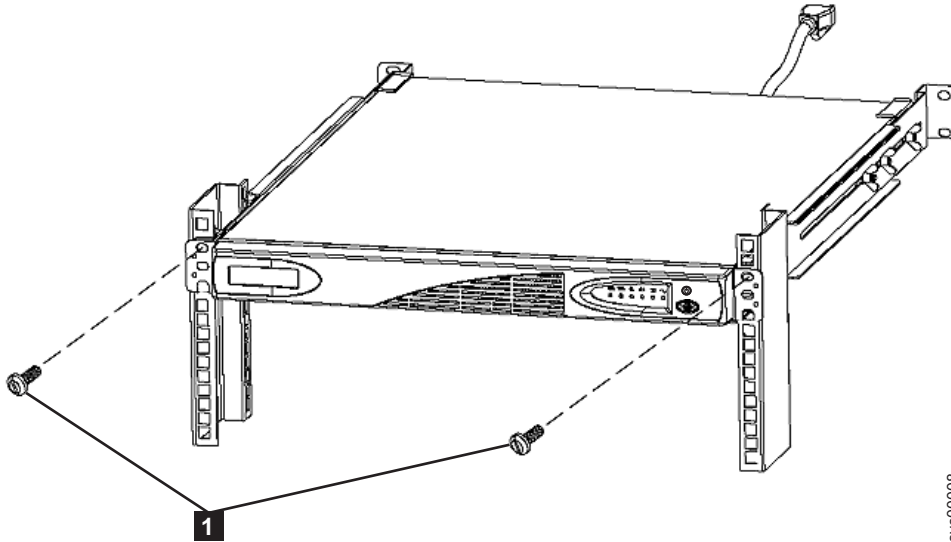


Figure 323. Removing the front screws from the 2145 UPS-1U

2. Remove the 2145 UPS-1U from the rack.
3. Remove the clip nut from the top hole of the rail (**3** in Figure 324).

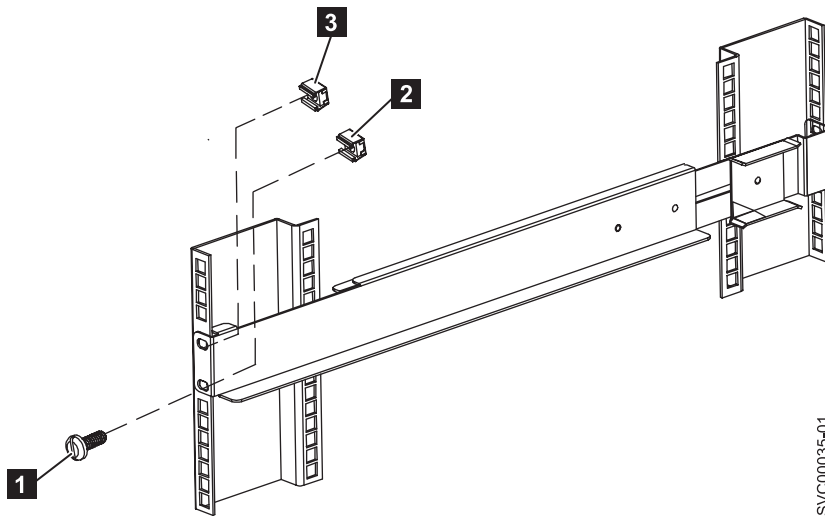


Figure 324. Removing the front rail on the 2145 UPS-1U

4. Detach the M6 × 10 screw **1** from the clip nut **2** in the bottom hole of the rail.
5. Remove the two M6 × 10 screws from the rear side of the rail (**1** in Figure 325 on page 316) and the two clip nuts (**2**).

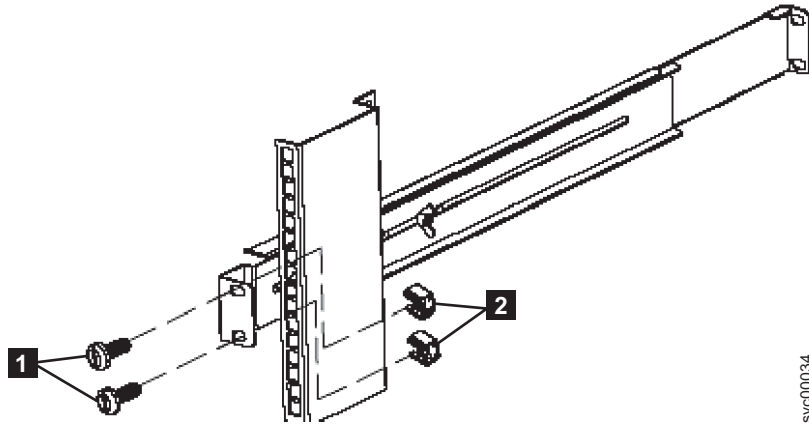


Figure 325. Removing the rear rail on the 2145 UPS-1U

6. Remove the rail from the rack.
7. Repeat steps 3 on page 315 through 6 to remove the other rail from the rack.

## Installing the support rails for the 2145 UPS-1U

You must install the support rails in the rack before installing the 2145 UPS-1U.

Complete the following prerequisites before installing the support rails:

1. Use the customer's hardware-location chart to determine where in the rack that the 2145 UPS-1U is to be installed.
2. At the back of the rack, observe the Electronic Industries Alliance (EIA) positions and determine where you are going to install the 2145 UPS-1U. Because of its weight, position the 2145 UPS-1U where it is easy to handle in one of the lower positions in the rack.

Perform the following steps to install the support rails for the 2145 UPS-1U:

1. Open the top of the 2145 UPS-1U shipping carton. Grip the flaps on either side of the 2145 UPS-1U.
2. Lift the 2145 UPS-1U clear of the shipping carton and place it on a flat, stable surface with the front facing you.
3. Attach the long side of a mounting bracket **1** to each side of the 2145 UPS-1U using four M3 × 6 screws **2** for each bracket, as shown in Figure 326.

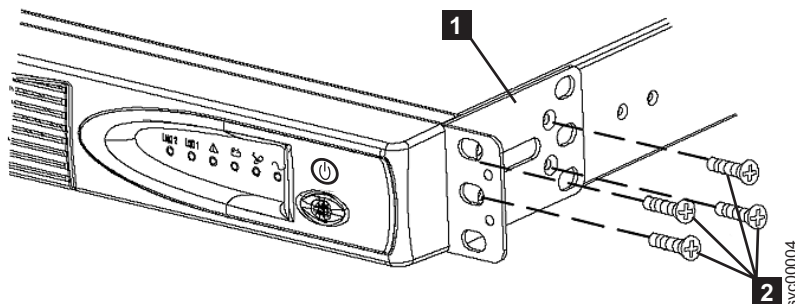


Figure 326. Installing the support rails for a 2145 UPS-1U into the rack

4. Loosen the assembly wing nuts (**1** in Figure 327 on page 317) on both rail assemblies and adjust the rail size to the depth of your rack. After you adjust the depth, tighten the assembly wing nuts as much as possible while still allowing some movement.

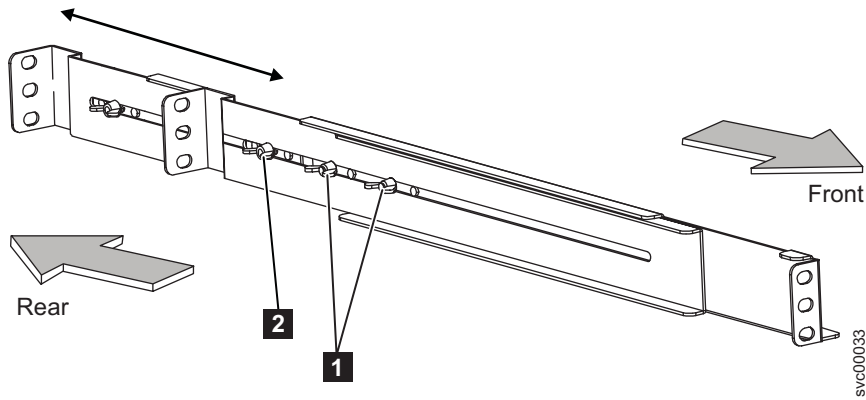


Figure 327. Adjusting the rail depth on the 2145 UPS-1U

- 1** Assembly wing nuts
- 2** Wing nut

5. Select the holes in the rail where you want to position the 2145 UPS-1U.

**Note:** The bottom flange of the support rail must align with the EIA mark on the rack.

6. Using two M6 × 10 screws (**1** in Figure 328) and two clip nuts **2**, attach the rail to the rear of the rack. The customer's rack might be different than the one shown here, and if so, might require different clip nuts or fasteners.

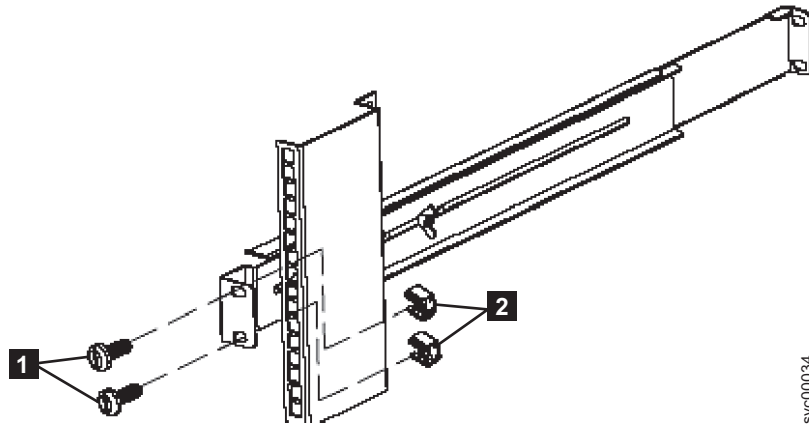


Figure 328. Securing the rear rail on the 2145 UPS-1U

7. Install two clip nuts (**2** and **3** in Figure 329 on page 318) to the front of the rack, then attach the rail using just one M6 x 10 screw in the bottom mounting hole **1**.

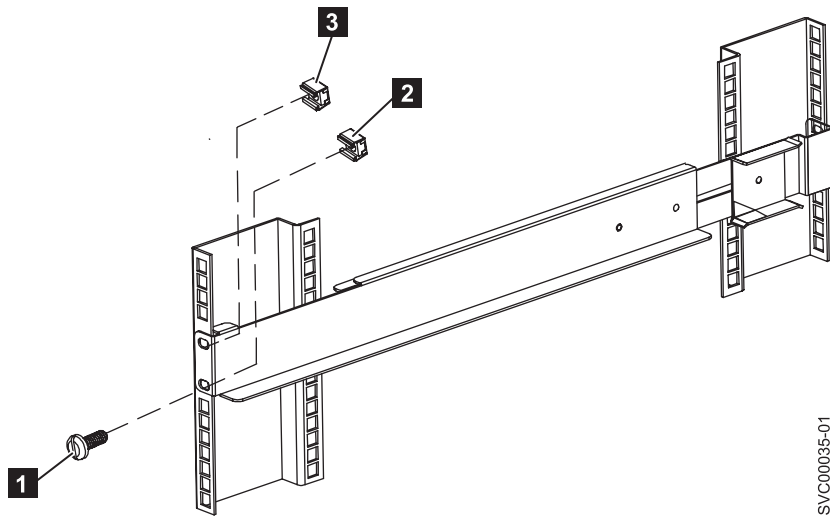


Figure 329. Securing the front rail on the 2145 UPS-1U

8. Repeat steps 6 on page 317 and 7 on page 317 for the other rail.
9. Tighten the assembly wing nuts on both rail assemblies.

## Removing the power cable from the 2145 UPS-1U

You can remove the power cable from the 2145 UPS-1U if you are having problems with the power supply and suspect that the power cable is defective.

Perform the following steps to remove the power cable:

1. Remove the power from each SAN Volume Controller node. See MAP 5350 in the *IBM System Storage SAN Volume Controller Troubleshooting Guide* for information about removing the power cable from the SAN Volume Controller.
2. Press and hold the on/off button **2** until the power light **1** is extinguished (approximately five seconds). On some versions of the 2145 UPS-1U, you need a pointed device, such as a screwdriver, to press the on/off button. The 2145 UPS-1U enters standby mode, with all indicators off. Figure 330 on page 319 illustrates the front and rear views of the 2145 UPS-1U.

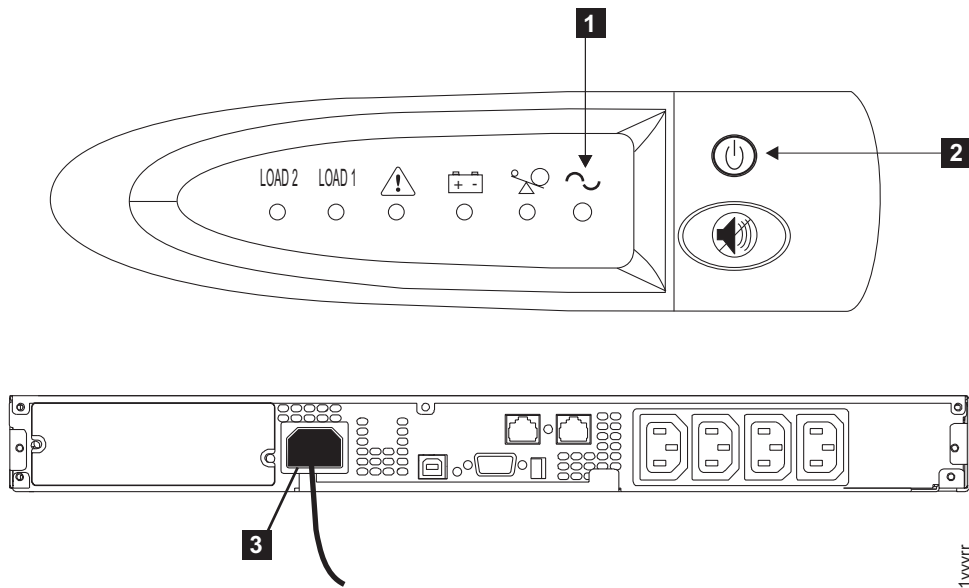


Figure 330. Front and back panels for the 2145 UPS-1U

- 1** Power-on indicator
- 2** On/off button
- 3** Power cable

3. Disconnect the power cable from the main power source **3**.
4. Replace the power cable and make sure it is seated. The 2145 UPS-1U enters standby mode. All indicators are off and power is not available to the SAN Volume Controller. The battery recharges when necessary.
5. To turn the 2145 UPS-1U on, press and hold the on/off button **2** until the 2145 UPS-1U power button **1** is illuminated (approximately five seconds). On some versions of the 2145 UPS-1U, you need a pointed device, such as a screwdriver, to press the on/off button. The front panel indicators then cycle through a startup sequence while the 2145 UPS-1U conducts a self-test. When the self-test completes, the power-on indicator and the load indicators illuminate to show that the 2145 UPS-1U is supplying power. The 2145 UPS-1U resumes service in normal mode.

## Removing the 2145 UPS-1U battery

Follow all safety notices when you are removing the 2145 UPS-1U battery.

### CAUTION:

Lead-acid batteries can present a risk of electrical burn from high, short-circuit current. Avoid battery contact with metal materials; remove watches, rings, or other metal objects, and use tools with insulated handles. To avoid possible explosion, do not burn.

Exchange only with the IBM-approved part. Recycle or discard the battery as instructed by local regulations. In the United States, IBM has a process for the collection of this battery. For information, call 1-800-426-4333. Have the IBM part number for the battery unit available when you call. (C004)

- | Use the reference numbers in parentheses at the end of each notice, such as (C003) for example, to find
- | the matching translated notice in *IBM System Storage SAN Volume Controller Safety Notices*.

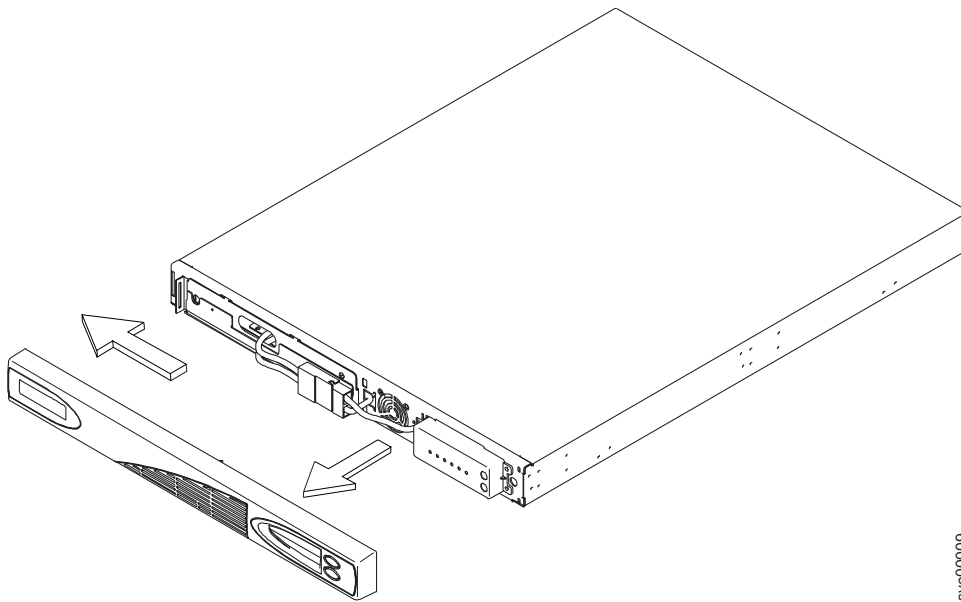
Perform the following steps to remove the 2145 UPS-1U battery:

1. Ensure the SAN Volume Controller that is connected to the 2145 UPS-1U is turned off. Use the instructions in MAP 5350 in the *IBM System Storage SAN Volume Controller Troubleshooting Guide* to turn off the node if it is not already off.

**Note:** There is no need to turn off the 2145 UPS-1U or remove it from the rack.

2. Pull the front panel from the right side until the panel is released from the right and middle sections of the 2145 UPS-1U. Push the front panel to the left to release the catch on the left end of the panel, as shown in Figure 331.

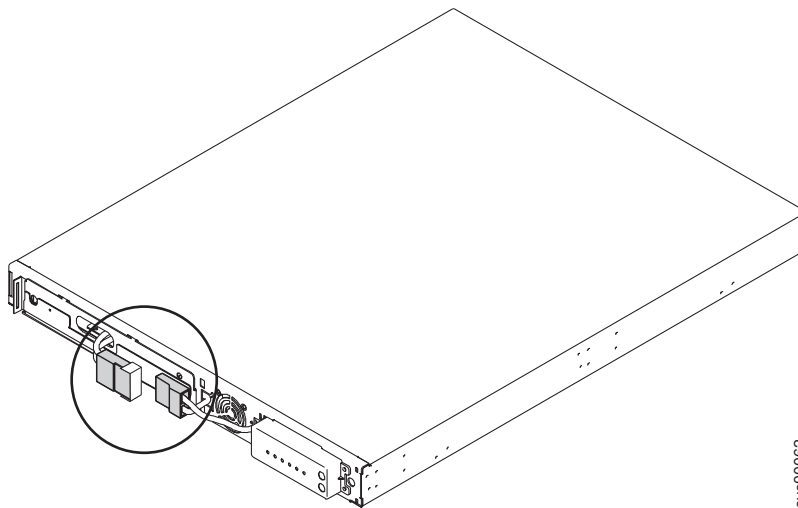
**Note:** If you are having difficulty pulling the right side of the panel free from the 2145 UPS-1U, insert a flat-blade screwdriver between the right side of the cover and the frame and gently pry it free.



svc00009

Figure 331. Removing the 2145 UPS-1U front panel

3. Disconnect the internal battery connector, circled in Figure 332.

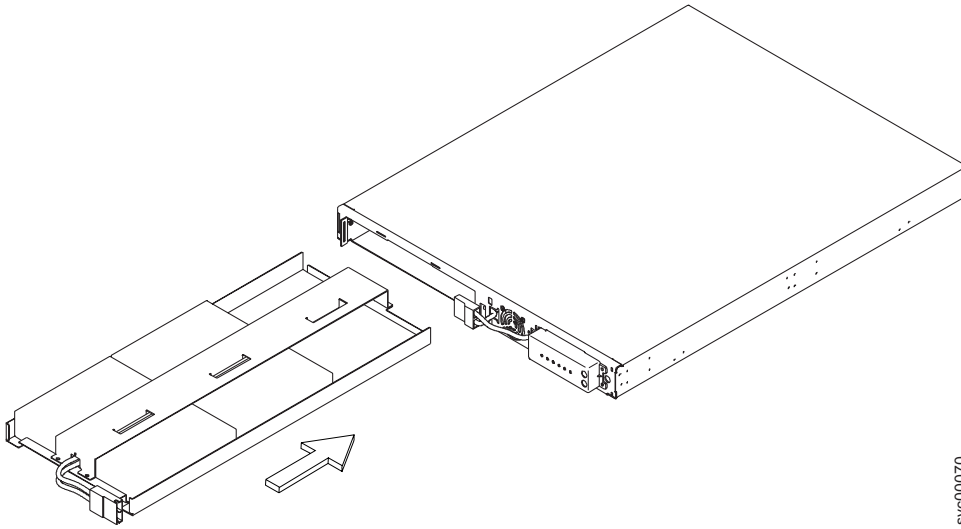


svc00062

Figure 332. The 2145 UPS-1U internal battery connector with protective tape

4. Slide the battery cover to the right and remove it.



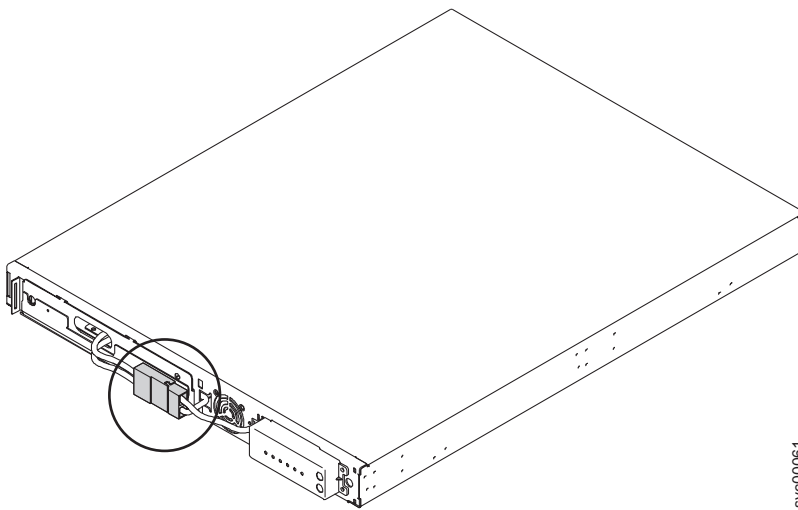


svc00070

Figure 334. Replacing the 2145 UPS-1U battery

2. Thread the battery connector through the battery cover. Position the battery cover in place and slide it to the left to secure it.
3. Connect the internal battery connector, as shown in Figure 336 on page 323. Each end of the keyed connector has two wires: one red (+) and one black (-). Join the black wires and the red wires together.

**Note:** A small amount of arcing might occur when connecting the batteries. This is normal and does not damage the unit or present any safety concerns.



svc00061

Figure 335. The 2145 UPS-1U internal-battery connector

4. Push the front panel to the right to catch on the left end of the panel. Push the front panel forward until the panel snaps into the right and middle sections of the 2145 UPS-1U, as shown in Figure 336 on page 323.







---

## Appendix. Accessibility

Accessibility features help a user who has a physical disability, such as restricted mobility or limited vision, to use software products successfully.

### Features

This list includes the major accessibility features in the management GUI:

- You can use screen-reader software and a digital speech synthesizer to hear what is displayed on the screen. The following screen reader has been tested: JAWS 11.
- Most of the GUI features are accessible by using the keyboard. For those features that are not accessible, equivalent function is available by using the command-line interface (CLI).
- When setting or changing an IP address on the SAN Volume Controller front panel, you can disable the fast increase function to reduce the address scrolling speed of the up and down buttons to two seconds. This feature is documented in the topic that discusses initiating cluster (system) creation from the front panel, which is located in the IBM System Storage SAN Volume Controller Information Center and the *IBM System Storage SAN Volume Controller Software Installation and Configuration Guide*.

### Navigating by keyboard

You can use keys or key combinations to perform operations and initiate many menu actions that can also be done through mouse actions. You can navigate the management GUI and help system from the keyboard by using the following key combinations:

- To navigate between different GUI panels, select the Low-graphics mode option on the GUI login panel. You can use this option to navigate to all the panels without manually typing the web addresses.
- To go to the next frame, press Ctrl+Tab.
- To move to the previous frame, press Shift+Ctrl+Tab.
- To navigate to the next link, button, or topic within a panel, press Tab inside a frame (page).
- To move to the previous link, button, or topic within a panel, press Shift+Tab.
- To select GUI objects, press Enter.
- To print the current page or active frame, press Ctrl+P.
- To expand a tree node, press the Right Arrow key. To collapse a tree node, press the Left Arrow key.
- To scroll all the way up, press Home; to scroll all the way down, press End.
- To go back, press Alt+Left Arrow key.
- To go forward, press Alt+Right Arrow key.
- For actions menus:
  - Press Tab to navigate to the grid header.
  - Press the Left or Right Arrow keys to reach the drop-down field.
  - Press Enter to open the drop-down menu.
  - Press the Up or Down Arrow keys to select the menu items.
  - Press Enter to launch the action.
- For filter panes:
  - Press Tab to navigate to the filter panes.
  - Press the Up or Down Arrow keys to change the filter or navigation for nonselection.
  - Press Tab to navigate to the magnifying glass icon in the filter pane and press Enter.
  - Type the filter text.

- Press Tab to navigate to the red X icon and press Enter to reset the filter.
- For information areas:
  - Press Tab to navigate to information areas.
  - Press Tab to navigate to the fields that are available for editing.
  - Type your edit and press Enter to issue the change command.

## **Accessing the publications**

You can find the HTML version of the IBM System Storage SAN Volume Controller information at the following website:

[publib.boulder.ibm.com/infocenter/svc/ic/index.jsp](http://publib.boulder.ibm.com/infocenter/svc/ic/index.jsp)

You can access this information using screen-reader software and a digital speech synthesizer to hear what is displayed on the screen. The information was tested using the following screen reader: JAWS Version 10 or later.

---

## Notices

This information was developed for products and services offered in the U.S.A.

IBM may not offer the products, services, or features discussed in this document in other countries. Consult your local IBM representative for information on the products and services currently available in your area. Any reference to an IBM product, program, or service is not intended to state or imply that only that IBM product, program, or service may be used. Any functionally equivalent product, program, or service that does not infringe any IBM intellectual property right may be used instead. However, it is the user's responsibility to evaluate and verify the operation of any non-IBM product, program, or service.

IBM may have patents or pending patent applications covering subject matter described in this document. The furnishing of this document does not give you any license to these patents. You can send license inquiries, in writing, to:

*IBM Director of Licensing  
IBM Corporation  
North Castle Drive  
Armonk, NY 10504-1785  
U.S.A.*

For license inquiries regarding double-byte (DBCS) information, contact the IBM Intellectual Property Department in your country or send inquiries, in writing, to:

*Intellectual Property Licensing  
Legal and Intellectual Property Law  
IBM Japan, Ltd.  
1623-14, Shimotsuruma, Yamato-shi  
Kanagawa 242-8502 Japan*

**The following paragraph does not apply to the United Kingdom or any other country where such provisions are inconsistent with local law:** INTERNATIONAL BUSINESS MACHINES CORPORATION PROVIDES THIS PUBLICATION "AS IS" WITHOUT WARRANTY OF ANY KIND, EITHER EXPRESS OR IMPLIED, INCLUDING, BUT NOT LIMITED TO, THE IMPLIED WARRANTIES OF NON-INFRINGEMENT, MERCHANTABILITY OR FITNESS FOR A PARTICULAR PURPOSE. Some states do not allow disclaimer of express or implied warranties in certain transactions, therefore, this statement may not apply to you.

This information could include technical inaccuracies or typographical errors. Changes are periodically made to the information herein; these changes will be incorporated in new editions of the publication. IBM may make improvements and/or changes in the product(s) and/or the program(s) described in this publication at any time without notice.

Any references in this information to non-IBM websites are provided for convenience only and do not in any manner serve as an endorsement of those websites. The materials at those websites are not part of the materials for this IBM product and use of those websites is at your own risk.

IBM may use or distribute any of the information you supply in any way it believes appropriate without incurring any obligation to you.

Licensees of this program who wish to have information about it for the purpose of enabling: (i) the exchange of information between independently created programs and other programs (including this one) and (ii) the mutual use of the information which has been exchanged, should contact:

*IBM Corporation  
Almaden Research  
650 Harry Road  
Bldg 80, D3-304, Department 277  
San Jose, CA 95120-6099  
U.S.A.*

Such information may be available, subject to appropriate terms and conditions, including in some cases, payment of a fee.

The licensed program described in this document and all licensed material available for it are provided by IBM under terms of the IBM Customer Agreement, IBM International Program License Agreement or any equivalent agreement between us.

Any performance data contained herein was determined in a controlled environment. Therefore, the results obtained in other operating environments may vary significantly. Some measurements may have been made on development-level systems and there is no guarantee that these measurements will be the same on generally available systems. Furthermore, some measurement may have been estimated through extrapolation. Actual results may vary. Users of this document should verify the applicable data for their specific environment.

Information concerning non-IBM products was obtained from the suppliers of those products, their published announcements or other publicly available sources. IBM has not tested those products and cannot confirm the accuracy of performance, compatibility or any other claims related to non-IBM products. Questions on the capabilities of non-IBM products may be addressed to the suppliers of those products.

All statements regarding IBM's future direction or intent are subject to change or withdrawal without notice, and represent goals and objectives only.

This information is for planning purposes only. The information herein is subject to change before the products described become available.

This information contains examples of data and reports used in daily business operations. To illustrate them as completely as possible, the examples include the names of individuals, companies, brands, and products. All of these names are fictitious and any similarity to the names and addresses used by an actual business enterprise is entirely coincidental.

#### COPYRIGHT LICENSE:

This information contains sample application programs in source language, which illustrate programming techniques on various operating platforms. You may copy, modify, and distribute these sample programs in any form without payment to IBM, for the purposes of developing, using, marketing or distributing application programs conforming to the application programming interface for the operating platform for which the sample programs are written. These examples have not been thoroughly tested under all conditions. IBM, therefore, cannot guarantee or imply reliability, serviceability, or function of these programs. The sample programs are provided "AS IS", without warranty of any kind. IBM shall not be liable for any damages arising out of your use of the sample programs.

If you are viewing this information softcopy, the photographs and color illustrations may not appear.

---

## Trademarks

IBM, the IBM logo, and [ibm.com](http://ibm.com) are trademarks or registered trademarks of International Business Machines Corp., registered in many jurisdictions worldwide. Other product and service names might be trademarks of IBM or other companies. A current list of IBM trademarks is available on the web at Copyright and trademark information at [www.ibm.com/legal/copytrade.shtml](http://www.ibm.com/legal/copytrade.shtml).

Adobe and the Adobe logo are either registered trademarks or trademarks of Adobe Systems Incorporated in the United States, and/or other countries.

Intel, Intel logo, Intel Xeon, and Pentium are trademarks or registered trademarks of Intel Corporation or its subsidiaries in the United States and other countries.

Linux is a registered trademark of Linus Torvalds in the United States, other countries, or both.

Microsoft, Windows, Windows NT, and the Windows logo are trademarks of Microsoft Corporation in the United States, other countries, or both.

UNIX is a registered trademark of The Open Group in the United States and other countries.

Java and all Java-based trademarks and logos are trademarks or registered trademarks of Oracle and/or its affiliates.

Other product and service names might be trademarks of IBM or other companies.

---

## Electronic emission notices

The following electronic emission statements apply to this product. The statements for other products that are intended for use with this product are included in their accompanying documentation.

### Federal Communications Commission (FCC) statement

This explains the Federal Communications Commission's (FCC) statement.

This equipment has been tested and found to comply with the limits for a Class A digital device, pursuant to Part 15 of the FCC Rules. These limits are designed to provide reasonable protection against harmful interference when the equipment is operated in a commercial environment. This equipment generates, uses, and can radiate radio frequency energy and, if not installed and used in accordance with the instruction manual, might cause harmful interference to radio communications. Operation of this equipment in a residential area is likely to cause harmful interference, in which case the user will be required to correct the interference at his own expense.

Properly shielded and grounded cables and connectors must be used in order to meet FCC emission limits. IBM is not responsible for any radio or television interference caused by using other than recommended cables and connectors, or by unauthorized changes or modifications to this equipment. Unauthorized changes or modifications could void the user's authority to operate the equipment.

This device complies with Part 15 of the FCC Rules. Operation is subject to the following two conditions: (1) this device might not cause harmful interference, and (2) this device must accept any interference received, including interference that might cause undesired operation.

## Industry Canada compliance statement

This Class A digital apparatus complies with ICES-003.

Cet appareil numérique de la classe A est conforme à la norme NMB-003 du Canada.

## Avis de conformité à la réglementation d'Industrie Canada

Cet appareil numérique de la classe A est conforme à la norme NMB-003 du Canada.

## Australia and New Zealand Class A Statement

**Attention:** This is a Class A product. In a domestic environment this product might cause radio interference in which case the user might be required to take adequate measures.

## European Union Electromagnetic Compatibility Directive

This product is in conformity with the protection requirements of European Union (EU) Council Directive 2004/108/EC on the approximation of the laws of the Member States relating to electromagnetic compatibility. IBM cannot accept responsibility for any failure to satisfy the protection requirements resulting from a non-recommended modification of the product, including the fitting of non-IBM option cards.

**Attention:** This is an EN 55022 Class A product. In a domestic environment this product might cause radio interference in which case the user might be required to take adequate measures.

Responsible Manufacturer:

International Business Machines Corp.  
New Orchard Road  
Armonk, New York 10504  
914-499-1900

European community contact:

IBM Technical Regulations, Department M456  
IBM-Allee 1, 71137 Ehningen, Germany  
Tel: +49 7032 15-2937  
E-mail: tjahn@de.ibm.com

## Germany Electromagnetic compatibility directive

### Deutschsprachiger EU Hinweis: Hinweis für Geräte der Klasse A EU-Richtlinie zur Elektromagnetischen Verträglichkeit

Dieses Produkt entspricht den Schutzanforderungen der EU-Richtlinie 2004/108/EG zur Angleichung der Rechtsvorschriften über die elektromagnetische Verträglichkeit in den EU-Mitgliedsstaaten und hält die Grenzwerte der EN 55022 Klasse A ein.

Um dieses sicherzustellen, sind die Geräte wie in den Handbüchern beschrieben zu installieren und zu betreiben. Des Weiteren dürfen auch nur von der IBM empfohlene Kabel angeschlossen werden. IBM übernimmt keine Verantwortung für die Einhaltung der Schutzanforderungen, wenn das Produkt ohne Zustimmung der IBM verändert bzw. wenn Erweiterungskomponenten von Fremdherstellern ohne Empfehlung der IBM gesteckt/eingebaut werden.



EN 55022 Klasse A Geräte müssen mit folgendem Warnhinweis versehen werden:

"Warnung: Dieses ist eine Einrichtung der Klasse A. Diese Einrichtung kann im Wohnbereich Funk-Störungen verursachen; in diesem Fall kann vom Betreiber verlangt werden, angemessene Maßnahmen zu ergreifen und dafür aufzukommen."

## **Deutschland: Einhaltung des Gesetzes über die elektromagnetische Verträglichkeit von Geräten**

Dieses Produkt entspricht dem "Gesetz über die elektromagnetische Verträglichkeit von Geräten (EMVG)." Dies ist die Umsetzung der EU-Richtlinie 2004/108/EG in der Bundesrepublik Deutschland.

## **Zulassungsbescheinigung laut dem Deutschen Gesetz über die elektromagnetische Verträglichkeit von Geräten (EMVG) (bzw. der EMC EG Richtlinie 2004/108/EG) für Geräte der Klasse A**

Dieses Gerät ist berechtigt, in Übereinstimmung mit dem Deutschen EMVG das EG-Konformitätszeichen - CE - zu führen.

Verantwortlich für die Einhaltung der EMV Vorschriften ist der Hersteller:

International Business Machines Corp.  
New Orchard Road  
Armonk, New York 10504  
Tel: 914-499-1900

Der verantwortliche Ansprechpartner des Herstellers in der EU ist:

IBM Deutschland  
Technical Regulations, Department M456  
IBM-Allee 1, 71137 Ehningen, Germany  
Tel: +49 7032 15-2937  
e-mail: tjahn@de.ibm.com

## **Generelle Informationen: Das Gerät erfüllt die Schutzanforderungen nach EN 55024 und EN 55022 Klasse A.**

## **Japan VCCI Council Class A statement**

この装置は、クラス A 情報技術装置です。この装置を家庭環境で使用する  
と電波妨害を引き起こすことがあります。この場合には使用者が適切な対策  
を講ずるよう要求されることがあります。 VCCI-A

## **People's Republic of China Class A Electronic Emission Statement**

### **中华人民共和国“A类”警告声明**

#### **声明**

此为A级产品，在生活环境中，该产品可能会造成无线电干扰。在这种情况下，可能需要用户对其干扰采取切实可行的措施。

## International Electrotechnical Commission (IEC) statement

This product has been designed and built to comply with (IEC) Standard 950.

## United Kingdom telecommunications requirements

This apparatus is manufactured to the International Safety Standard EN60950 and as such is approved in the U.K. under approval number NS/G/1234/J/100003 for indirect connection to public telecommunications systems in the United Kingdom.

## Korean Communications Commission (KCC) Class A Statement

이 기기는 업무용(A급)으로 전자파적합기기로서 판매자 또는 사용자는 이 점을 주의하시기 바라며, 가정외의 지역에서 사용하는 것을 목적으로 합니다.

## Taiwan Class A compliance statement

警告使用者：  
這是甲類的資訊產品，在居住的環境中使用時，可能會造成射頻干擾，在這種情況下，使用者會被要求採取某些適當的對策。

talenti

---

## European Contact Information

This topic contains the product service contact information for Europe.

European Community contact:

IBM Technical Regulations

Pascalstr. 100, Stuttgart, Germany 70569

Tele: 0049 (0)711 785 1176

Fax: 0049 (0)711 785 1283

Email: <mailto:tjahn@de.ibm.com>



---

## Taiwan Contact Information

This topic contains the product service contact information for Taiwan.

IBM Taiwan Product Service Contact Information:

IBM Taiwan Corporation

3F, No 7, Song Ren Rd., Taipei Taiwan

Tel: 0800-016-888

台灣IBM 產品服務聯絡方式：  
台灣國際商業機器股份有限公司  
台北市松仁路7號3樓  
電話：0800-016-888

f2c00790



---

# Index

## Numerics

- 10 Gbps Ethernet
  - riser-card assembly
    - removing 191
    - replacing 194
- 10 Gbps Ethernet riser-card assembly
  - removing 191
- 2145 UPS-1U
  - assembly 20
  - battery
    - removing 319
    - replacing 321
  - bracket, retention 306
  - power cables 22
  - removing 307
  - removing power cable 318
  - replacing 310
  - support rails 315, 316
- 2145-8A4 node
  - FRUs 10
- 2145-8F2 node
  - FRUs 18
- 2145-8F4 node
  - FRUs 16
- 2145-8G4 node
  - FRUs 12
- 2145-CF8
  - cable-management arm 26, 30
  - replacing in rack 57
  - service controller 85
  - support rails 62, 66
- 2145-CF8 node
  - FRUs 6
- 2145-CG8
  - cable-management arm 26, 30
  - replacing in rack 57
  - service controller 85
  - support rails 62, 66
- 2145-CG8 node
  - FRUs 1

## A

- accessibility
  - keyboard 325
  - repeat rate
    - up and down buttons 325
  - shortcut keys 325
- accessing
  - publications 325
- adapter assembly
  - removing 178
  - replacing 185

## B

- bracket
  - 2145 UPS-1U
    - removing 306
    - replacing 306

- bracket (*continued*)
  - cable retention
    - SAN Volume Controller 2145-8A4 36
    - SAN Volume Controller 2145-8F4 39
    - SAN Volume Controller 2145-8G4 43

## C

- cable retention bracket
  - removing
    - SAN Volume Controller 2145-8A4 36
    - SAN Volume Controller 2145-8F4 39
  - replacing
    - SAN Volume Controller 2145-8G4 43
- cable-management arm
  - removing 26
  - replacing 30
- cable-retention bracket
  - removing
    - 2145 UPS-1U 306
    - SAN Volume Controller 2145-8G4 37
  - replacing
    - 2145 UPS-1U 306
    - SAN Volume Controller 2145-8A4 41
    - SAN Volume Controller 2145-8F4 45
- cable-retention brackets
  - removing
    - SAN Volume Controller 2145-CG8 or 2145-CF8 35
  - replacing
    - SAN Volume Controller 2145-CG8 or 2145-CF8 40
- cables
  - 2145 UPS-1U
    - power requirements 22
    - removing from 318
- Canadian electronic emission notice 330
- catalog 1
- caution notices
  - heavy weight 307
- changes in guide
  - summary xxiii
- CMOS battery
  - SAN Volume Controller 2145-8A4
    - removing 144
    - replacing 150
  - SAN Volume Controller 2145-8F2
    - removing 147
    - replacing 153
  - SAN Volume Controller 2145-8F4
    - removing 147
    - replacing 153

- CMOS battery (*continued*)
  - SAN Volume Controller 2145-8G4
    - removing 145
    - replacing 152
  - SAN Volume Controller 2145-CG8 or 2145-CF8
    - removing 142
    - replacing 148
- concurrent maintenance 25
- contact information
  - European 333
  - Taiwan 335

## D

- danger notices
  - power control switches 46, 49, 51
- Deutschsprachiger EU Hinweis 330
- disk drives
  - replacing 102
- disk-controller
  - riser-card assembly
    - removing 207
    - replacing 210
- disk-drive backplane
  - removing 126
  - replacing 134
- disposal
  - product xxiii

## E

- electronic emission notices
  - Avis de conformité à la réglementation d'Industrie Canada 330
  - Deutschsprachiger EU Hinweis 330
  - European Union (EU) 330
  - Federal Communications Commission (FCC) 329
  - French Canadian 330
  - Germany 330
  - Industry Canada 330
  - International Electrotechnical Commission (IEC) 332
  - Japanese Voluntary Control Council for Interference (VCCI) 331
  - Korean 332
  - New Zealand 330
  - People's Republic of China 331
  - Taiwan 332
  - United Kingdom 332
- EMC statement, People's Republic of China 331
- emergency power-off (EPO) event xx
- environmental notices xiii, xxi
- EPO (emergency power-off) event xx
- Ethernet
  - SFP transceiver
    - removing 189

Ethernet (*continued*)  
SFP transceiver (*continued*)  
replacing 189  
Ethernet riser-card assembly  
replacing 194  
European contact information 333  
European Union (EU), EMC Directive  
conformance statement 330  
external device safety check xvii

## F

fans  
removing 239  
replacing 245  
FCC (Federal Communications  
Commission) electronic emission  
notice 329  
Federal Communications Commission  
(FCC) electronic emission notice 329  
Fibre Channel  
adapter assemblies  
removing 178  
replacing 185  
SFP transceiver 177  
field replaceable units  
SAN Volume Controller 2145-8F2 18  
SAN Volume Controller 2145-8F4 16  
field-replaceable units  
part numbers 1, 6, 10, 12  
SAN Volume Controller 2145-8A4 10  
SAN Volume Controller 2145-8G4 12  
SAN Volume Controller 2145-CF8 6  
SAN Volume Controller 2145-CG8 1  
frame assembly  
removing 175  
replacing 175  
French Canadian electronic emission  
notice 330

## G

Germany electronic emission compliance  
statement 330

## H

hazards xvi, xix  
hot-swap SAN Volume Controller  
2145-CG8 or 2145-CF8 drive  
SAS IDs 115

## I

IDs for SAS hot-swap drives  
SAN Volume Controller 2145-CG8 or  
2145-CF8 115  
IEC (International Electrotechnical  
Commission) electronic emission  
notice 332  
information  
center xxiv  
inspections, safety  
external device check xvii  
internal device check xviii

inspections, safety (*continued*)  
SAN Volume Controller xvi  
uninterruptible power supply xix  
installing  
SAN Volume Controller 2145-8A4  
support rails 69  
SAN Volume Controller 2145-8F2  
support rails 74  
SAN Volume Controller 2145-8F4  
support rails 74  
SAN Volume Controller 2145-8G4  
support rails 72  
support rails 66  
2145 UPS-1U 316  
SAN Volume Controller 66  
SAN Volume Controller  
2145-8A4 69  
SAN Volume Controller  
2145-8F2 74  
SAN Volume Controller  
2145-8F4 74  
SAN Volume Controller  
2145-8G4 72  
the heat sink 259  
internal device safety check xviii  
International Electrotechnical Commission  
(IEC) electronic emission notice 332

## J

Japanese electronic emission notice 331

## K

keyboard  
accessibility 325  
Korean electronic emission  
statement 332

## L

legal notices  
Notices 327  
trademarks 329

## M

memory modules  
removing 104  
replacing 109  
microprocessor  
removing 251, 254, 256  
replacing 259

## N

New Zealand electronic emission  
statement 330  
non-IBM Alteration form xviii

## O

operator-information panel cable  
removing 232, 233, 234

operator-information panel cable  
(*continued*)  
replacing 236, 238  
SAN Volume Controller 2145-8A4  
removing 234  
replacing 238  
SAN Volume Controller 2145-CG8 or  
2145-CF8  
removing 233  
replacing 236

## P

part numbers  
FRUs 1  
redundant ac-power switch 20  
SAN Volume Controller 2145-8A4 10  
SAN Volume Controller 2145-8G4 12  
SAN Volume Controller 2145-CF8 6  
SAN Volume Controller 2145-CG8 1

### parts

catalog 1  
listing 1  
removing  
overview 25  
preparing 26  
replacing  
overview 25  
preparing 26

### parts listing 7

PCI express riser card assembly  
removing 214  
replacing 215  
SAN Volume Controller 2145-8A4  
removing 214  
replacing 215  
SAN Volume Controller 2145-8G4  
removing 215  
replacing 215

PDU (power distribution unit) 22  
People's Republic of China, electronic  
emission statement 331

### power

cables  
2145 UPS-1U 22  
country or region 22  
distribution unit (PDU) 22  
emergency power-off event xx  
off  
SAN Volume Controller 46  
on with the node cover off 26  
supply  
removing 155  
replacing 163

### power backplane

SAN Volume Controller 2145-8G4  
replacing 173

### publications

accessing 325

## R

redundant ac-power switch  
assembly 20  
part numbers 20  
power cables 22



- related information xxiv
- removing 177
  - 10 Gbps Ethernet riser-card assembly 191
  - 2145 UPS-1U 307
  - 2145 UPS-1U battery 319
  - 2145 UPS-1U retention bracket 306
  - 2145-8F2
    - power supply 162
  - 2145-8F4
    - power supply 162
  - adapter assembly 178
  - cable-management arm 26
  - cable-retention bracket
    - 2145 UPS-1U 306
    - SAN Volume Controller 2145-8A4 36
    - SAN Volume Controller 2145-8F4 39
  - disk-drive backplane 126
  - Ethernet SFP transceiverSFP transceiver
    - Ethernet 189
  - Fibre Channel SFP transceiver 177
  - memory modules 104
  - operator-information panel cable 232
  - parts
    - overview 25
    - preparing 26
  - PCI express riser card assembly 214
  - power cable
    - 2145 UPS-1U 318
  - power-cable assembly 103
  - redundant ac-power switch
    - microprocessor 303
  - redundant ac-power switch 303
  - removing 303
  - riser-card assembly 207
  - SAN Volume Controller 2145-8A4
    - CMOS battery 144
    - disk drive 111, 116
    - disk-drive backplane 130
    - fans 241
    - Fibre Channel adapter assembly 181
    - heat sink 254
    - microprocessor 254
    - operator-information panel 217
    - operator-information panel cable 234
    - PCI express riser card assembly 214
    - power supply 158
    - service controller 91
    - support rails 63
    - voltage regulator module 254
  - SAN Volume Controller 2145-8F2
    - adapter assembly 183
    - CMOS battery 147
    - disk drive 111, 117
    - fan backplanes 250
    - fan holder 250
    - frame assembly 175
    - heat sink 258
    - microprocessor 258
    - operator-information panel 223
    - power backplane 172

- removing (continued)
  - SAN Volume Controller 2145-8F2 (continued)
    - service controller 94
    - voltage regulator module 258, 271
  - SAN Volume Controller 2145-8F4
    - adapter assembly 183
    - CMOS battery 147
    - disk drive 111, 117
    - fan backplanes 250
    - fan holder 250
    - fans 243
    - frame assembly 175
    - heat sink 258
    - microprocessor 258
    - operator-information panel 223
    - power backplane 172
    - service controller 94
    - voltage regulator module 258, 271
  - SAN Volume Controller 2145-8G4
    - CMOS battery 145
    - disk drive 111, 116
    - disk-drive backplane 132
    - fans 242
    - Fibre Channel adapter assembly 182
    - heat sink 256
    - microprocessor 256
    - operator-information panel 218
    - PCI express riser card assembly 215
    - power backplane 171
    - power supply 161
    - service controller 92
    - voltage regulator module 256
  - SAN Volume Controller 2145-CG8 or 2145-CF8
    - boot drive 113
    - CMOS battery 142
    - disk drive 113
    - disk-controller and USB riser-card assembly 208
    - disk-drive backplane 126
    - fans 239
    - Fibre Channel adapter assembly 178
    - heat sink 251
    - high-speed cable 201
    - high-speed SAS adapter assembly 197
    - microprocessor 251
    - operator-information panel 216
    - operator-information panel cable 233
    - power supply 157
    - solid-state drive (SSD) 122
    - voltage regulator module 251
  - SAN Volume Controller from a rack 46
    - service controller 85
      - cable from 2145-CG8 or 2145-CF8 88
    - SAN Volume Controller 2145-8A4 91
    - SAN Volume Controller 2145-8F2 94

- removing (continued)
  - service controller (continued)
    - SAN Volume Controller 2145-8F4 94
    - SAN Volume Controller 2145-8G4 92
  - SFP transceiver 177
  - signal cable 103
  - support rails 62
    - 2145 UPS-1U 315
    - SAN Volume Controller 2145-8A4 63
    - SAN Volume Controller 2145-8F2 65
    - SAN Volume Controller 2145-8F4 65
    - SAN Volume Controller 2145-8G4 64
  - system board
    - SAN Volume Controller 272
    - SAN Volume Controller 2145-8A4 274
    - SAN Volume Controller 2145-8G4 280
    - SAN Volume Controller 2145-CG8 or 2145-CF8 272
  - top cover
    - SAN Volume Controller 2145-8A4 79
    - SAN Volume Controller 2145-8F2 80
    - SAN Volume Controller 2145-8F4 80
    - SAN Volume Controller 2145-8G4 80
    - SAN Volume Controller 2145-CG8 or 2145-CF8 77
  - replacing
    - 10 Gbps Ethernet riser-card assembly 194
    - 2145 UPS-1U battery 321
    - 2145 UPS-1U retention bracket 306
    - adapter assembly 185
    - cable-management arm 30
    - cable-retention bracket
      - SAN Volume Controller 2145-8A4 41
      - SAN Volume Controller 2145-8F4 45
      - SAN Volume Controller 2145-8G4 43
    - disk-drive backplane 134
    - Ethernet riser-card assembly 194
    - Ethernet SFP transceiver 189
    - Fibre Channel SFP transceiver 177
    - hard disk drive 102
    - memory modules 109
    - operator-information panel cable 236
    - parts
      - overview 25
      - preparing 26
    - PCI express riser card assembly 215
    - power supplies
      - 2145 UPS-1U 310
    - redundant ac-power switch
      - microprocessor 304
      - redundant ac-power switch 304

- replacing (*continued*)
  - redundant ac-power switch (*continued*)
    - replacing 304
  - riser-card assembly 210
  - SAN Volume Controller 2145-8A4
    - CMOS battery 150
    - disk drive 120
    - disk-drive backplane 138
    - fans 247
    - Fibre Channel adapter assembly 187
    - heat sink 264
    - microprocessor 264
    - operator-information panel 227
    - operator-information panel cable 238
    - PCI express riser card assembly 215
    - power supply 166
    - top cover 83
    - voltage regulator module 264
  - SAN Volume Controller 2145-8F2
    - adapter assembly 188
    - CMOS battery 153
    - disk drive 121
    - fan backplanes 250
    - fan holder 250
    - frame assembly 175
    - heat sink 269
    - microprocessor 269
    - operator-information panel 232
    - power backplane 174
    - power supply 170
    - service controller 100
    - voltage regulator module 269
  - SAN Volume Controller 2145-8F4
    - adapter assembly 188
    - CMOS battery 153
    - disk drive 121
    - fan backplanes 250
    - fan holder 250
    - fans 250
    - frame assembly 175
    - heat sink 269
    - microprocessor 269
    - operator-information panel 232
    - power backplane 174
    - power supply 170
    - SAN Volume Controller 2145-8F2 84
    - service controller 100
    - top cover 84
    - voltage regulator module 269
  - SAN Volume Controller 2145-8G4
    - CMOS battery 152
    - disk drive 120
    - disk-drive backplane 140
    - fans 249
    - Fibre Channel adapter assembly 188
    - heat sink 267
    - microprocessor 267
    - operator-information panel 228
    - PCI express riser card assembly 215
    - power backplane 173

- replacing (*continued*)
  - SAN Volume Controller 2145-8G4 (*continued*)
    - power supply 169
    - top cover 83
    - voltage regulator module 267
  - SAN Volume Controller 2145-CG8 or 2145-CF8
    - CMOS battery 148
    - disk drive 118
    - disk-controller and USB riser-card assembly 210
    - disk-drive backplane 134
    - fans 245
    - Fibre Channel adapter assembly 185
    - heat sink 259
    - high speed SAS adapter 198
    - high-speed cable 204
    - microprocessor 259
    - operator-information panel 225
    - operator-information panel cable 236
    - power supply 164
    - top cover 82
    - voltage regulator module 259
  - SAN Volume Controller in the rack 55
  - service controller 95, 100, 102
    - cable from 2145-CG8 or 2145-CF8 88
    - SAN Volume Controller 2145-CG8 or 2145-CF8 95
  - SFP transceiver 177
  - Ethernet 189
  - SSDs 124
  - system board
    - SAN Volume Controller 287
    - SAN Volume Controller 2145-8A4 292
    - SAN Volume Controller 2145-8G4 294
    - SAN Volume Controller 2145-CG8 or 2145-CF8 287
  - top cover
    - SAN Volume Controller 2145-8A4 83
    - SAN Volume Controller 2145-8F2 84
    - SAN Volume Controller 2145-8F4 84
    - SAN Volume Controller 2145-8G4 83
    - SAN Volume Controller 2145-CG8 or 2145-CF8 82
- requirements
  - power cables 22
  - redundant ac-power switch 22
  - uninterruptible power supply xx
- riser-card assembly
  - removing 207
  - 10 Gbps Ethernet 191
  - replacing 210
  - 10 Gbps Ethernet 194

## S

- safety notices xiii
- SAN Volume Controller
  - checking grounding xviii
  - removing from a rack 46
  - replacing in the rack 55
  - support rails
    - installing 66
    - removing 62
  - system board
    - removing 272
    - replacing 287
    - turning off 46
- SAN Volume Controller 2145-8A4
  - adapter assembly
    - removing 181
    - replacing 187
  - assembly 10
  - cable retention bracket 36
  - CMOS battery
    - removing 144
    - replacing 150
  - disk-drive backplane
    - removing 130
    - replacing 138
  - fans
    - removing 241
    - replacing 247
  - operator-information panel
    - removing 217
    - replacing 227
  - power supply
    - removing 158
    - replacing 166
  - replacing in the rack 58
  - service controller 98
    - removing 91
  - support rails 63, 69
  - system board
    - removing 274
    - replacing 292
- SAN Volume Controller 2145-8F2
  - adapter assembly
    - removing 183
    - replacing 188
  - assembly 18
  - CMOS battery
    - removing 147
    - replacing 153
  - fans
    - removing 243
    - replacing 250
  - operator-information panel
    - removing 223
    - replacing 232
  - replacing in the rack 61
  - support rails 74
    - removing 65
- SAN Volume Controller 2145-8F4
  - adapter assembly
    - removing 183
    - replacing 188
  - assembly 16
  - cable retention bracket 39
  - CMOS battery
    - removing 147
    - replacing 153

- SAN Volume Controller 2145-8F4
  - (continued)
  - operator-information panel
    - removing 223
    - replacing 232
  - replacing in the rack 61
  - support rails 74
    - removing 65
- SAN Volume Controller 2145-8G4
  - adapter assembly
    - removing 182
    - replacing 188
  - assembly 12
  - cable retention bracket 43
  - CMOS battery
    - removing 145
    - replacing 152
  - disk-drive backplane
    - removing 132
    - replacing 140
  - fans
    - removing 242
    - replacing 249
  - operator-information panel
    - removing 218
    - replacing 228
  - power supply
    - removing 161
    - replacing 169
  - replacing in the rack 59
  - service controller 99
    - removing 92
  - support rails 72
    - removing 64
  - system board
    - removing 280
    - replacing 294
- SAN Volume Controller 2145-CF8
  - assembly 6
  - high-speed SAS adapter assembly
    - removing 197
  - system board
    - removing 272
- SAN Volume Controller 2145-CG8
  - 10 Gbps Ethernet riser-card
    - assembly 191
  - assembly 1
  - Ethernet riser-card assembly 194
- SAN Volume Controller 2145-CG8 or 2145-CF8
  - adapter assembly
    - removing 178
    - replacing 185
  - CMOS battery
    - removing 142
    - replacing 148
  - disk drive
    - replacing 118
  - disk-controller and USB riser-card
    - assembly
      - removing 208
      - replacing 210
  - disk-drive backplane
    - removing 126
    - replacing 134
  - fans
    - removing 239

- SAN Volume Controller 2145-CG8 or 2145-CF8 (continued)
  - fans (continued)
    - replacing 245
  - high-speed cable
    - removing 201
    - replacing 204
  - high-speed SAS adapter
    - replacing 198
  - operator-information panel
    - removing 216
    - replacing 225
  - power supply
    - removing 157
    - replacing 164
  - service controller
    - replacing 95
  - solid-state drive (SSD)
    - removing 122
  - SSDs 124
  - system board
    - replacing 287
- SAN Volume Controller library
  - related publications xxiv
- SAS
  - IDs for hot-swap drives 115
- service
  - controller
    - replacing 102
    - replacing from 2145-CG8 or 2145-CF8 88
  - service controller
    - cable
      - removing from 2145-CG8 or 2145-CF8 88
    - removing 85
    - SAN Volume Controller
      - 2145-8F2 94
      - 2145-8F4 94
    - removingSAN Volume Controller 2145-8A4 91
    - removingSAN Volume Controller 2145-8G4 92
    - replacing
      - SAN Volume Controller 2145-8A4 98
      - SAN Volume Controller 2145-8F2 100
      - SAN Volume Controller 2145-8F4 100
      - SAN Volume Controller 2145-8G4 99
      - SAN Volume Controller 2145-CG8 or 2145-CF8 95
- SFP transceiver 177
  - removing 189
  - replacing 177, 189
- shortcut keys
  - accessibility 325
  - keyboard 325
- SSDs
  - replacing 124
- static-sensitive devices xx
- summary
  - changes in guide xxiii

- support rails
  - 2145 UPS-1U 316
  - installing 66
  - removing 62
  - SAN Volume Controller 2145-8A4 63, 69
  - SAN Volume Controller 2145-8F2 74
  - SAN Volume Controller 2145-8F4 74
  - SAN Volume Controller 2145-8G4 72
- system board
  - removing
    - SAN Volume Controller 272
    - SAN Volume Controller 2145-8A4 274
    - SAN Volume Controller 2145-8G4 280
    - SAN Volume Controller 2145-CG8 or 2145-CF8 272
  - replacing
    - SAN Volume Controller 287
    - SAN Volume Controller 2145-8A4 292
    - SAN Volume Controller 2145-8G4 294
    - SAN Volume Controller 2145-CG8 or 2145-CF8 287

## T

- Taiwan
  - contact information 335
  - electronic emission notice 332
- top cover
  - removing
    - SAN Volume Controller 2145-8A4 79
    - SAN Volume Controller 2145-8F2 80
    - SAN Volume Controller 2145-8F4 80
    - SAN Volume Controller 2145-8G4 80
    - SAN Volume Controller 2145-CG8 or 2145-CF8 77
  - replacing
    - SAN Volume Controller 2145-8A4 83
    - SAN Volume Controller 2145-8F2 84
    - SAN Volume Controller 2145-8F4 84
    - SAN Volume Controller 2145-8G4 83
    - SAN Volume Controller 2145-CG8 or 2145-CF8 82
- trademarks 329

## U

- uninterruptible power supply
  - 2145 UPS-1U
    - power cables 22
    - checking grounding xviii
    - removing the power 103
- United Kingdom electronic emission notice 332

## USB

- riser-card assembly
  - removing 207
  - replacing 210

## V

- voltage regulator module
  - removing 271

## W

- web sites xxvii
- worldwide node names
  - service controller
    - restoring 95
    - rewriting 95





Part Number: 31P1584

Printed in USA

GC27-2283-00



(1P) P/N: 31P1584

