



A21

Topas Monitoring and Recording Tool

Luc Smolders

**IBM SYSTEM p, AIX 5L
and LINUX TECHNICAL
UNIVERSITY
Sept 11 - 15, 2006**

Las Vegas, NV

charts to be available at:

<http://www.ibm.com/developerworks/blogs/page/Systemptechuniv>

Agenda

- Introduction
 - history
 - technology
- Basic real-time monitoring functions
 - main screen
 - full-screen process monitoring
- Support for WLM
- Detailed Disk monitoring
- Support for SMT and micro-partitions
- CEC monitoring
- Automatic performance metrics recording
 - daily, WLE, CEC
 - report generation and recorded data exports
- PTX affinity
- Future plans

topas - introduction

•History

- started life as a PTX API sample program (Ichmon)
- enhanced into a top-like monitoring tool

•Technology

- curses application
- data collection uses PTX APIs
 - ▶SPMI for local data
 - ▶RSI for remote data (not in initial release)

•Enhancements

- support for WLM
 - ▶main panel
 - ▶dedicated panel
- support for SMT/SPLPAR
 - ▶new way (PURR based) to calculate cpu utilization
 - ▶lparstat like panel
- support for CEC-wide monitoring
 - ▶uses xmtopas daemons and RSI APIs
 - ▶new panel
- support for detailed disk statistics
 - ▶dedicated panel
- recordings
 - ▶initial release for WLE data collection, local data only
 - ▶latest release includes CEC data
 - ▶topasout text reports

topas - available options

- -h
 - help information

- -i interval
 - monitoring interval in seconds

- -m
 - use monochrome mode - no colors

- -d number
 - number of monitored disks

- -n number
 - number of monitored network interfaces

- -p number
 - number of monitored processes

- -w number
 - number of monitored WLM classes

- -c number
 - number of monitored CPUs

- -P
 - show full-screen Process Display

- -U username
 - show username owned processes with -P

- -L
 - show full-screen Logical Partition display

- -D
 - show full-screen Disk display

- -W
 - show full-screen WLM display

- -R
 - records Cross-LPAR (CEC) metrics

- -C
 - show full-screen Cross-LPAR (CEC) display

- -l interval
 - remote monitoring interval in seconds

- -o
 - sets CEC panel configuration parameters
 - syntax: -o parameter=value

topas - main screen

Topas Monitor for host: lambic
 Sat Sep 23 16:45:06 2000 **Interval:** 2

Kernel	1.5		
User	1.0		
Wait	0.0		
Idle	97.4	#####	

Interf	KBPS	I-Pack	O-Pack	KB-In	KB-Out
tr0	2.5	7.0	8.5	0.4	2.1
lo0	1.2	2.0	2.0	0.6	0.6

Disk	Busy%	KBPS	TPS	KB-Read	KB-Writ
hdisk0	0.0	0.0	0.0	0.0	0.0

Name	Pid	CPU%	PgSp	Owner
java	10064	1.0	3.8	root
gil	1032	0.5	0.3	root
topas	11644	0.5	0.4	root
aixterm	11100	0.0	0.8	steve
ksh	4136	0.0	0.5	root
syncd	4406	0.0	0.3	root
ksh	10424	0.0	0.2	root
xmservd	10850	0.0	0.7	root
ksh	9836	0.0	0.5	steve
netm	774	0.0	0.2	root
init	1	0.0	0.7	root
cron	5244	0.0	0.5	root
ksh	10674	0.0	0.5	steve
snmpd	6966	0.0	0.9	root

EVENTS/QUEUES		FILE/TTY	
Cswitch	221	Readch	3873
Syscall	864	Writech	1870
Reads	11	Rawin	0
Writes	9	Ttyout	180
Forks	0	Igets	0
Execs	0	Namei	6
Runqueue	0.0	Dirblk	0
Waitqueue	0.0		

PAGING		MEMORY	
Faults	38	Real,MB	255
Steals	0	% Comp	28.0
PgspIn	0	% Noncomp	11.0
PgspOut	0	% Client	0.0
PageIn	0		
PageOut	0		
Sios	0		

PAGING SPACE		NFS (calls/sec)	
Size,MB	512	ServerV2	0
% Used	0.2	ClientV2	0
% Free	99.7	ServerV3	0
		ClientV3	0

Press:
 "h" for help
 "q" to quit

fixed areas

sortable by any column
 using tabs and arrows

customizable areas

topas - Events/Queues and File/tty metrics

• Events/Queues

- Cswitch
 - ▶ number of context switches per second
- Syscalls
 - ▶ total number of system calls per second
- Reads
 - ▶ number of read system calls per second
- Writes
 - ▶ number of write system calls per second
- Forks
 - ▶ number of fork system calls per second
- Execs
 - ▶ number of exec system calls per second
- Runqueue
 - ▶ average number of threads that were ready to run but were waiting for a processor to become available
- Waitqueue
 - ▶ average number of threads that were waiting for paging to complete

• File/tty

- Readch
 - ▶ number of bytes read per second through the read system call
- Writech
 - ▶ number of bytes written per second through the write system call
- Rawin
 - ▶ number of raw bytes read per second from TTYs
- Ttyout
 - ▶ number of bytes written to TTYs per second
- Igets
 - ▶ number of calls per second to the inode lookup routines
- Namei
 - ▶ number of calls per second to the pathname lookup routines
- Dirblk
 - ▶ number of directory blocks scanned per second by the directory search routine

topas - Paging, Memory and Paging Space metrics

•Paging

•Faults

- ▶ total number of page faults per second
 - includes page faults that do not cause paging activity

•Steals

- ▶ physical memory 4K frames stolen per second by the virtual memory manager(LRU daemon)

•PgspIn

- ▶ number of 4K pages read from paging space per second

•PgspOut

- ▶ number of 4K pages written to paging space per second

•PageIn

- ▶ number of 4K pages read per second
 - includes paging activity associated with reading from file systems
 - subtract PgspIn from this value to get the number of 4K pages read from file systems per second

•PageOut

- ▶ number of 4K pages written per second
 - includes paging activity associated with writing to file systems
 - subtract PgspOut from this value to get the number of 4K pages written to file systems per second

•Sios

- ▶ number of I/O requests per second issued by the virtual memory manager

•Memory

•Real,MB

- ▶ size of real memory in megabytes.

•% Comp

- ▶ percentage of real memory currently allocated to computational page frames
 - computational page frames are generally those that are backed by paging space.

•% Noncomp

- ▶ percentage of real memory currently allocated to non-computational frames
 - non-computational page frames are generally those that are backed by file space, either data files, executable files, or shared library files.

•% Client

- ▶ percentage of real memory currently allocated to cache remotely mounted files or JFS2 files

•Paging Space

•Size,MB

- ▶ sum of all paging spaces on the system, in megabytes.

•% Used

- ▶ percentage of total paging space currently in use.

•% Free

- ▶ percentage of total paging space currently free.

topas - main screen command

• One-character commands

- a - Show all the variable subsections being monitored
 - ▶ pressing the the 'a' key always returns topas to the main initial display
- c - Pressing the 'c' key repeatedly toggles the CPU subsection between
 - ▶ cumulative report
 - ▶ off
 - ▶ list of busiest CPUs on the system
- d - Pressing the 'd' key repeatedly toggles the disk subsection between
 - ▶ busiest disks list
 - ▶ off
 - ▶ total disk activity for the system.
- n - Pressing the 'n' key repeatedly toggles the network interfaces subsection between
 - ▶ busiest interfaces list
 - ▶ off
 - ▶ total network activity for the system
- p - Pressing the 'p' key toggles the hot processes subsection on and off
- w - Pressing the 'w' key toggles the WorkLoad Management(WLM) classes subsection on and off

- q - Quit the program
- r - Refresh the screen immediately

- P - Toggle to the Full Screen Process Display
- W - Toggle to the Full Screen WLM Class Display
- L - Toggle to the Logical Partition/CPU Display
- D - Toggle to the Disk Display
- C - Toggle to the Cross-LPAR (CEC) Panel

- The network, disk, cpu, and WLM sections may be sorted using arrows and tabs. A highlighted column header shows sorted-by

topas - main screen(2)

```

Topas Monitor for host:      lambic
Wed Jan 22 12:13:44 2003      Interval:  2

CPU      User%    Kern%    Wait%    Idle%
cpu0       0.5      0.5      0.0      99.0

Network  KBPS    I-Pack  O-Pack   KB-In   KB-Out
en0        0.0      0.0      0.0      0.0      0.0
tr0        0.0      0.0      0.0      0.0      0.0
lo0        0.0      0.0      0.0      0.0      0.0

Disk      Busy%    KBPS    TPS    KB-Read KB-Writ
Total    0.0      0.0      0.0      0.0      0.0

Name      PID  CPU%  PgSp  Owner
topas      13704  0.5    0.9    root
rpc.lockd  8520  0.5    0.0    root
aixmibd    7482  0.0    0.8    root
snmpmibd   7232  0.0    0.5    root
gil        1806  0.0    0.0    root
syncd     4182  0.0    0.6    root
netm      1548  0.0    0.0    root
init       1     0.0    0.7    root
cron      8278  0.0    0.4    root
cron      5244  0.0    0.5    root
ksh      10674  0.0    0.5    steve
snmpd     6966  0.0    0.9    root

EVENTS/QUEUES
Cswitch    46
Syscall    76
Reads      0
Writes     0
Forks      0
Execs      0
Runqueue   0.0
Waitqueue  0.0

FILE/TTY
Readch     0
Writech    31
Rawin      0
Ttyout     0
Igets     0
Namei      0
Dirblk     0

PAGING
Faults     0
Steals     0
PgspIn     0
PgspOut    0
PageIn     0
PageOut    0
Sios       0

MEMORY
Real,MB    255
% Comp     32.5
% Noncomp  14.3
% Client   0.5

PAGING SPACE
Size,MB    512
% Used     1.2
% Free     98.7

NFS (calls/sec)
ServerV2   0
ClientV2   0
ServerV3   0
ClientV3   0

Press:
"h" for help
"q" to quit

```

- Display after hitting "ccdd"
 - toggling cpu section to list of cpus
 - toggling disk section to one line total summary

topas - full screen process view

Topas Monitor for host: **lambic** Interval: **2** Wed Jan 22 12:10:44 2003

USER	PID	PPID	PRI	NI	DATA	TEXT	PAGE	TIME	CPU%	PGFAULTS		COMMAND
					RES	RES	SPACE			I/O	OTH	
root	1	0	60	20	202	9	202	0:07	0.0	0	0	init
root	774	0	17	41	4	0	4	0:00	0.0	0	0	reaper
root	1032	0	16	41	3	0	3	0:00	0.0	0	0	lrud
root	1290	0	60	41	4	0	4	0:04	0.0	0	0	xmgc
root	1548	0	36	41	4	0	4	0:07	0.0	0	0	netm
root	1806	0	37	41	16	0	16	7:09	0.0	0	0	gil
root	2064	0	16	41	4	0	4	0:00	0.0	0	0	wlmsched
root	2718	1	60	20	183	22	183	0:00	0.0	0	0	errrdemon
root	2898	6984	60	20	131	20	131	0:03	0.0	0	0	hostmibd
root	3372	0	60	20	4	0	4	0:00	0.0	0	0	lvmbb
root	3628	0	50	41	4	0	4	0:00	0.0	0	0	jfsz
root	4182	1	60	20	155	2	155	1:41	0.0	0	0	syncd
root	4544	6984	60	20	106	11	106	0:00	0.0	0	0	inetd
root	4628	1	60	20	4	0	4	0:00	0.0	0	0	random
daemon	4950	6984	60	20	221	20	221	0:00	0.0	0	0	rpc.statd
root	5234	6984	60	20	244	105	244	0:03	0.0	0	0	sendmail
root	5472	6984	60	20	92	8	92	0:00	0.0	0	0	syslogd
root	5702	6984	60	20	133	12	133	0:00	0.0	0	0	portmap
root	5936	6984	60	20	271	39	271	0:00	0.0	0	0	snmpdv3ne
root	6450	0	60	20	4	0	4	0:00	0.0	0	0	rtcnd

- Output from topas -P or "P" command
- Sorting criteria can be changed using arrows and tabs

topas - process metrics

- USER

- login name of the process owner

- PID

- process ID of the process

- PPID

- process ID of the parent process

- PRI

- priority of the process or kernel thread
 - ▶ higher numbers mean lower priority.

- NI

- nice value
 - ▶ used in calculating scheduling priority

- TIME

- total execution time for the process

- CPU%

- percentage of CPU usage

- Data RSS

- real memory data (resident set) size of the process
 - ▶ in 4KB pages

- TEXT RSS

- real memory text (resident set) size of the process
 - ▶ in 4KB pages

- PAGE SPACE

- virtual working set size used by process
 - ▶ in 4KB pages

- PGFAULTS

- number of I/O and other page faults

- COMMAND

- command name truncated to 9 characters

topas - main screen with WLM active

```

Topas Monitor for host:      niller
Mon Mar 13 15:56:32 2000    Interval:  2

CPU   User%   Kern%   Wait%   Idle%
cpu0    7.0      4.0      0.0      89.0
cpu1    1.0      8.0      0.0      91.0
cpu2    0.0      0.0      0.0     100.0

Interf  KBPS   I-Pack  O-Pack   KB-In  KB-Out
lo0     100.4   45.7     45.7     50.2     50.2
tr0      2.0     4.4      3.4      1.4      0.6

Disk   Busy%   KBPS    TPS  KB-Read KB-Writ
hdisk0  0.0      0.0      0.0      0.0      0.0
hdisk1  0.0      0.0      0.0      0.0      0.0

WLM-Class (Active)  CPU%   Mem%    Disk%
System      8         41        12
Shared     1         24         9

Name    PID     CPU%   PgSP   Class
topas     (35242)  3.0      0.3     System
X         (3622)   1.4     44.4    System
notes    (25306)  1.3    123.3   System
cron     (5244)   0.0      0.5     System
ksh      (10674)  0.0      0.5     system
snmpd    (6966)   0.0      0.9     System

EVENTS/QUEUES
Cswitch    113
Syscall    2510
Reads      466
Writes     12
Forks      0
Execs      0
Runqueue   0.0
Waitqueue  0.0

FILE/TTY
Readch    1853576
Writech   49883
Rawin     0
Ttyout    706
Igets     0
Namei     0
Dirblk    0

PAGING
Faults    1
Steals    0
PgspIn    0
PgspOut   0
PageIn    0
PageOut   0
Sios      0

MEMORY
Real,MB   255
% Comp    81.0
% Noncomp 19.0
% Client  3.0

PAGING SPACE
Size,MB   512
% Used    33.6
% Free    66.4

NFS
ServerV2  0
ClientV2  0
ServerV3  0
ClientV3  0

calls/sec
Press:
"h" for help.
"q" to quit.

```

topas - full screen WLM process view

```

Topas Monitor for host:   mothra      Interval:    2      Wed Nov  8 12:30:54 2000
WLM-Class (Active)           CPU%         Mem%         Disk-I/O%
System                          0              0              0
Shared                          0              0              0
Default                          0              0              0
Unmanaged                        0              0              0
Unclassified                     0              0              0

```

```

=====
USER      PID  PPID PRI NI  DATA  TEXT  PAGE  TIME CPU%  PGFAULTS  COMMAND
           RES  RES  SPACE  I/O  OTH
root        1      0  108  20   197     9    180    0:24  0.0     0      0  init
root       1032   0   16  41     3    3374     3    0:00  0.0     0      0  lrud
root       1290   0   60  41     4    3374     4    0:02  0.0     0      0  xmgc
root       1548   0   36  41     4    3374     4    0:26  0.0     0      0  netm
root       1806   0   37  41    16    3374    16   13:25  0.0     0      0  gil
root       2064   0   16  41     4    3374     4    0:04  0.0     0      0  wlmsched
root       2698   1  108  20    14     2    14    0:00  0.0     0      0  shlap
root       3144   1  108  20    40     1    36    5:19  0.0     0      0  syncd
root       3362   0  108  20     4    3374     4    0:00  0.0     0      0  lvmbb
root       3666   1  108  20   135    23   123    0:00  0.0     0      0  errdemon
root       3982   0  108  20     4    3374     4    0:01  0.0     0      0  rtcmd

```

- Output from topas -W or "W" command
- Class focus can be changed by moving cursor over class and using "f" key
- Sorting criteria can be changed using arrows and tabs in both sections

topas - full screen disk view

Topas Monitor for host: lambic Interval: 2 Wed Jan 22 12:10:44 2003

Disk	Busy%	KBPS	TPS	KB-R	ART	MRT	KB-W	AWT	MWT	AQW	AQD
hdisk0	2.0	12.0	3.0	0.0	0.0	9.1	12.0	6.0	16.5	0.0	0.0
hdisk6	5.0	24.5	6.0	0.0	0.0	0.0	0.0	0.0	0.0	0.0	0.0
hdisk4	12.0	72.2	20.5	36.1	0.0	0.0	0.0	0.0	11.1	0.0	0.0
hdisk1	0.0	0.0	0.0	0.0	0.0	0.0	0.0	0.0	0.0	0.0	0.0
hdisk7	4.5	0.0	0.0	0.0	0.0	0.0	0.0	0.0	0.0	0.0	0.0
hdisk3	0.0	0.0	0.0	0.0	0.0	0.0	0.0	0.0	147.8	0.0	0.0
hdisk5	0.0	0.0	0.0	0.0	0.0	0.0	0.0	0.0	0.0	0.0	0.0
hdisk11	0.0	0.0	0.0	0.0	0.0	0.0	0.0	0.0	0.0	0.0	0.0
hdisk13	0.0	0.0	0.0	0.0	0.0	0.0	0.0	0.0	0.0	0.0	0.0
hdisk2	7.0	20.3	9.0	0.0	0.0	0.0	0.0	0.0	9.2	0.0	0.0
hdisk17	0.0	0.0	0.0	0.0	0.0	0.0	0.0	0.0	0.0	0.0	0.0
cd0	0.0	0.0	0.0	0.0	0.0	0.0	0.0	0.0	0.0	0.0	0.0
hdisk12	0.0	0.0	0.0	0.0	0.0	0.0	0.0	0.0	0.0	0.0	0.0
hdisk15	0.0	0.0	0.0	0.0	0.0	0.0	0.0	0.0	0.0	0.0	0.0
hdisk14	0.0	0.0	0.0	0.0	0.0	0.0	0.0	0.0	0.0	0.0	0.0
hdisk18	0.0	0.0	0.0	0.0	0.0	0.0	0.0	0.0	0.0	0.0	0.0
hdisk21	0.0	0.0	0.0	0.0	0.0	0.0	0.0	0.0	0.0	0.0	0.0
hdisk20	0.0	0.0	0.0	0.0	0.0	0.0	0.0	0.0	0.0	0.0	0.0
hdisk19	0.0	0.0	0.0	0.0	0.0	0.0	0.0	0.0	0.0	0.0	0.0
hdisk22	0.0	0.0	0.0	0.0	0.0	0.0	0.0	0.0	0.0	0.0	0.0
hdisk16	0.0	0.0	0.0	0.0	0.0	0.0	0.0	0.0	0.0	0.0	0.0

main screen metrics

- Output from topas -D or "D" command
- Sorting criteria can be changed using arrows and tabs

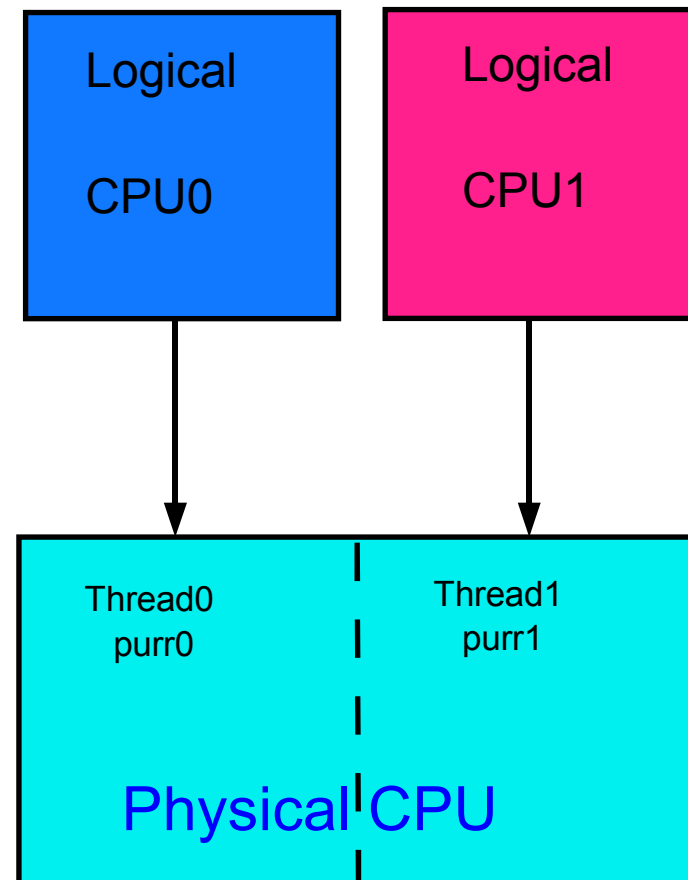
topas - disk metrics

- Disk
 - name of the disk
- Busy%
 - percentage of time the disk was active
- KBPS
 - kilobytes read and written per second
 - sum of KB-Read and KB-Writ
- TPS
 - number of transfers per second to the disk.
 - ▶ a transfer is an I/O request to the disk
 - ▶ multiple logical requests can be combined into a single I/O request
 - ▶ transfer request sizes are variable
- KB-Read
 - kilobytes read per second from the disk
- K -Writ
 - kilobytes written per second to the disk
- AQD
 - average number of requests waiting to be sent to disk
- AQW
 - average queue wait time per request
- ART
 - average service time for read requests
- MRT
 - maximum service time for read requests
- AWT
 - average service time for write requests
- MWT
 - maximum service time for write requests
- The default service and wait time unit is milliseconds
 - the suffix indicates the unit of time.

main screen metrics

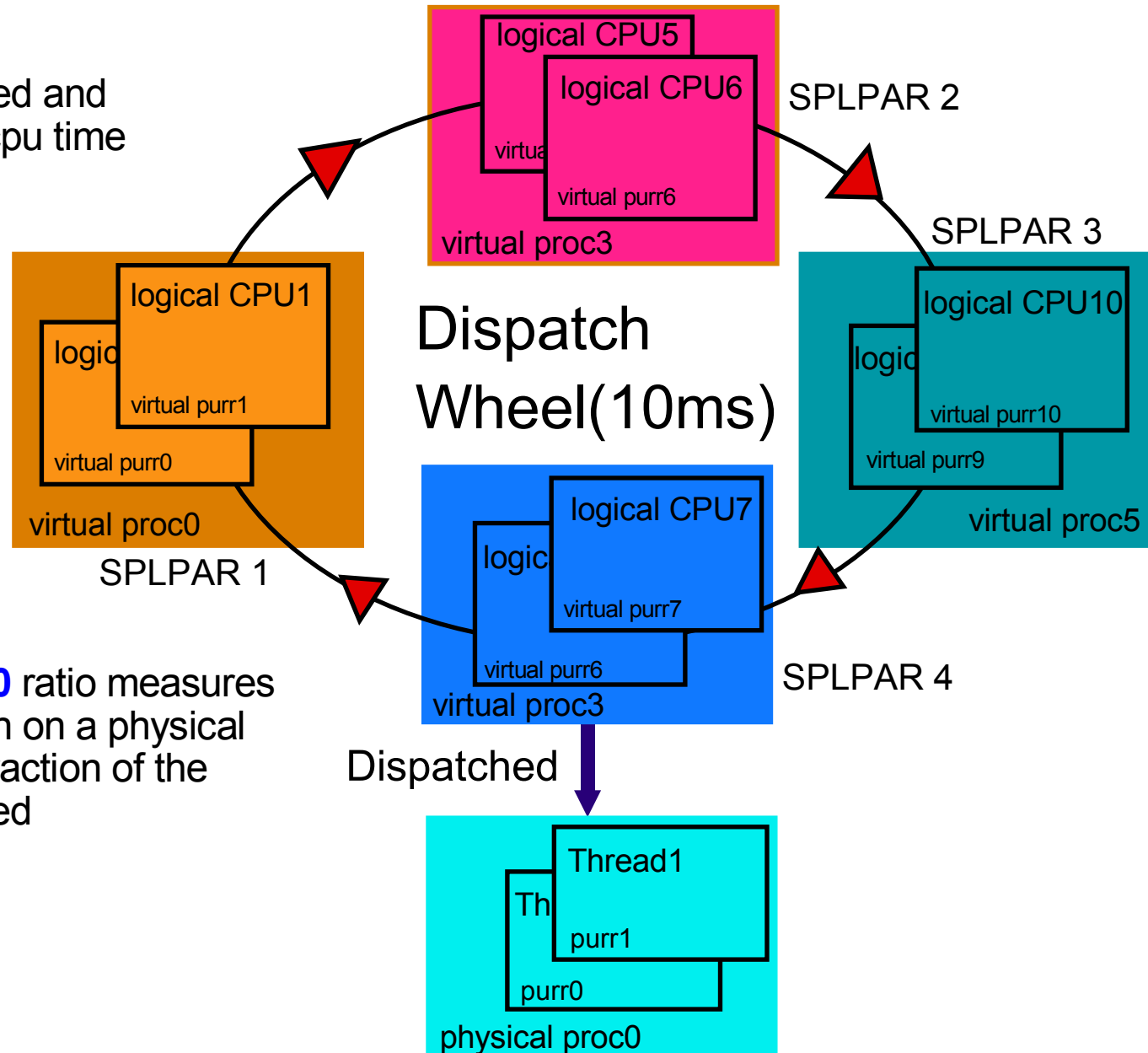
PURR - Processor Utilization Resource Register

- New register implemented by Power5
- Each thread has its own PURR
- Units are the same as the Timebase and Decrementer registers
- For a given time interval, the sum of the PURR delta values for both threads is equal to deltaTimebase values
- PURR increments actually measure instruction dispatch cycles
 - at each cycle only one of the two purr registers gets incremented
 - ▶ either the thread dispatching instructions
 - ▶ or the thread who last dispatched instructions
 - provides a reasonable indicator of the split of the work between the two threads
- Also used by PHYP to virtualize time between micropartitions



Shared Processor LPAR with SMT

- Two time metrics
 - thread's PURR are virtualized and measure thread's physical cpu time
 - TimeBase still measures elapsed (wall clock) time
- Two PURR usages
 - $\frac{vpurr0}{vpurr1}$ ratio measures relative SMT split between threads
 - $\frac{vpurr0+vpurr1}{timebase0}$ ratio measures fraction of time partition1 ran on a physical processor, i.e. the relative fraction of the physical processor consumed



SMT and SPLPAR - CPU consumption metrics

- CPU consumption monitoring
 - partition level
 - ▶ measured by monitoring virtualized PURR and absolute TimeBase register
 - $\text{delta PURR} / \text{delta TimeBase} = \text{physical processor consumed}$
 - shared pool level
 - ▶ measured by monitoring the "Pool Idle Count"
 - ▶ maintained by the hypervisor and represents clock ticks where a physical processor was idle
 - all partition entitlements satisfied
 - no partition to dispatch
- Metrics displayed
 - traditional cpu utilization breakdown (%user, %sys, %idle, %wait)
 - ▶ measured using PURR and reported **relative to entitlement except when above cap**
 - other shared mode only utilization metrics
 - ▶ Physical Processor Consumed (**physc**)
 - $\text{delta PURR} / \text{delta TimeBase}$
 - ▶ Percentage of Entitlement Consumed (**%entc**)
 - $(\text{physc} / \text{entitlement}) * 100$

SMT and SPLPAR - additional metrics

- Hypervisor calls statistics

- number of hcalls (**hcalls**)

- ▶ total number of hcalls per second

- currently includes voluntary context switch calls

- percentage spent in hypervisor (**%hypv**)

- ▶ total time spent in the hypervisor processing hcalls

- ▶ reported as a percentage of cpu **consumption**

- **not** comparable with %user, %sys, %idle and %wait except for uncapped partitions above entitlement

- ▶ **this is NOT a measure of hypervisor/partitioning overhead**

- Additional shared mode only metrics

- Available Pool Processors (**app**)

- ▶ delta Pool Idle Count value converted into decimal number of processor

- ▶ if the partition has the authority to retrieve information

- number of virtual context switches per second (**vcsw**)

- ▶ monitoring number of hardware context switches per second

- number of phantom interrupts per second (**phint**)

- ▶ monitoring number of interrupts per second

topas - main screen support for micro-partitions

- New cpu section metrics on physical processing resources consumed
 - Physc: amount consumed in fractional number of processors
 - %Entc: amount consumed in percentage of entitlement
 - automatically displayed when running in shared mode

```

Topas Monitor for host:      specweb8
Sat Mar 13 09:47:18 2004      Interval:  2

Kernel      0.0      |          |
User        0.0      |          |
Wait        0.0      |          |
Idle       100.0     |#####|
Physc = 0.01                %Entc= 1.2

EVENTS/QUEUES              FILE/TTY
Cswitch      50      Readch        0
Syscall      47      Writech       34
Reads        0      Rawin         0
Writes       0      Ttyout        34
Forks        0      Igets         0
Execs        0      Namei         1
Runqueue     0.0    Dirblk        0
Waitqueue    0.0

Network  KBPS    I-Pack  O-Pack    KB-In  KB-Out
en0          0.1      1.0         1.0        0.0       0.1
lo0          0.0      0.0         0.0        0.0       0.0

Disk     Busy%    KBPS    TPS  KB-Read  KB-Writ
hdisk0      0.0      0.0        0.0        0.0        0.0
hdisk2      0.0      0.0        0.0        0.0        0.0
hdisk3      0.0      0.0        0.0        0.0        0.0
hdisk1      0.0      0.0        0.0        0.0        0.0

NAME      PID    CPU%  PgSp  Owner
IBM.CSMAg   13180   0.0     1.6    root
syncd      9366   0.0     0.5    root
prngd     22452   0.0     0.3    root
psgc      2322   0.0     0.0    root
pilegc     2580   0.0     0.0    root

EVENTS/QUEUES              MEMORY
Faults       0      Real,MB      8191
Steals       0      % Comp       5.4
PgspIn       0      % Noncomp    1.6
PgspOut      0      % Client     1.6
PageIn       0
PageOut      0      PAGING SPACE
Sios         0      Size,MB      512
              % Used      0.6
              % Free     99.3

NFS (calls/sec)
ServerV2     0
ClientV2     0      Press:
ServerV3     0      "h" for help
ClientV3     0      "q" to quit
  
```

- CPU utilization metrics are automatically calculated using new PURR-based data and formula when running in SMT or shared mode

topas - LPAR screen

- Split screen accessible from -L or the "L" command
 - upper section shows a subset of **lparstat** metrics
 - lower section shows sorted list of logical processor with **mpstat** columns

```

Interval:      2          Logical Partition: aix          Sat Mar 13 09:44:48 2004
Poolsize:    3.0          Shared SMT ON          Online Memory:      8192.0
Entitlement:  2.5          Mode: Capped           Online Logical CPUs: 4
                                                         Online Virtual CPUs: 2

%user  %sys  %wait  %idle  physc  %entc  %lbusy  app  vcsw  phint  %hypv  hcalls
 47.5   32.5   7.0   13.0   2.0   80.0   100.0   1.0  240   150   5.0   1500
=====
logcpu minpf majpf  intr   csw  icsw  runq  lpa  scalls  usr  sys  wt  idl  pc  lcsw
cpu0    1135  145   134    78   60    2   95   12345  10  65  15  10  0.6  120
cpu1     998  120   104    92   45    1   89    4561   8  67  25   0  0.4  120
cpu2    2246  219   167   128   72    3   92   76300 20  50  20  10  0.5  120
cpu3    2167  198   127    62   43    2   94    1238  18  45  15  22  0.5  120

```

- Notable metrics

- %hypv and hcalls: percentage of time in hypervisor and number of calls made
- pc: fraction of physical processor consumed by a logical processor
- additional shared mode only metrics
 - ▶ Poolsize: number of processors in LPAR pool this partition belongs to
 - ▶ app: available pool processors
 - ▶ physc: number of physical processor(s) consumed
 - ▶ %entc: percentage of entitlement consumed
 - ▶ lcsw and vcsw: logical and virtual context switches
 - ▶ phint: number of phantom interrupts

topas - CEC monitoring screen

- Split screen accessible from -C or the "C" command
 - upper section shows CEC-level metrics
 - lower sections shows sorted lists of shared and dedicated partitions

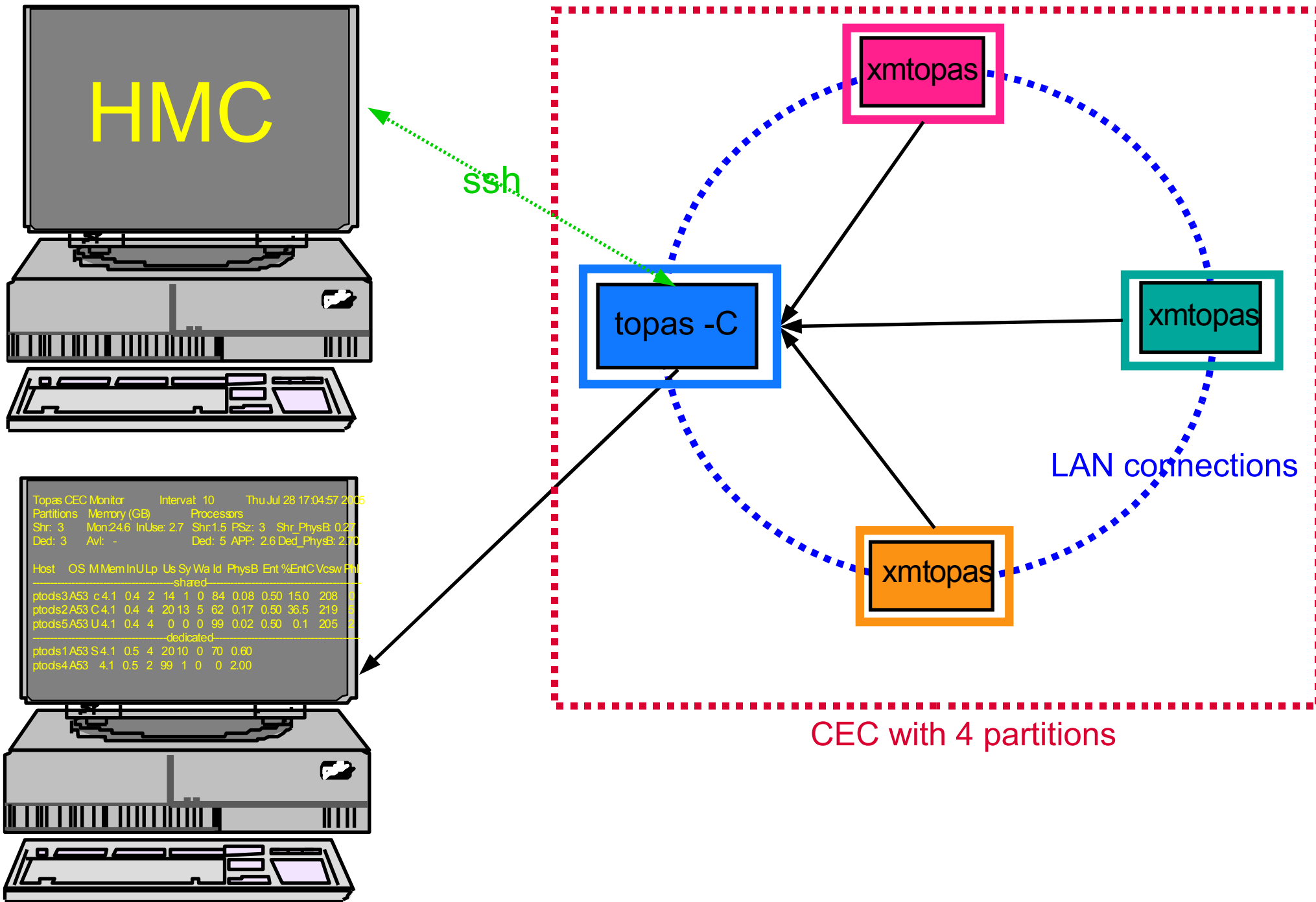
Topas CEC Monitor Interval: 10 Thu Jul 28 17:04:57 2005

Partitions	Memory (GB)	Processors	
Shr: 3	Mon:24.6 InUse: 2.7	Shr: 1.5 PSz: 3	Shr_PhysB: 0.27
Ded: 3	Avl: -	Ded: 5 APP: 2.6	Ded_PhysB: 2.70

Host	OS	M	Mem	InU	Lp	Us	Sy	Wa	Id	PhysB	Ent	%EntC	Vcsw	PhI
-----shared-----														
ptoolsl3	A53	c	4.1	0.4	2	14	1	0	84	0.08	0.50	15.0	208	0
ptoolsl2	A53	C	4.1	0.4	4	20	13	5	62	0.17	0.50	36.5	219	5
ptoolsl5	A53	U	4.1	0.4	4	0	0	0	99	0.02	0.50	0.1	205	2
-----dedicated-----														
ptoolsl1	A53	S	4.1	0.5	4	20	10	0	70	0.60				
ptoolsl4	A53		4.1	0.5	2	100	0	0	0	2.00				
ptoolsl6	A52		4.1	0.5	1	5	5	12	88	0.10				

- CEC configuration info retrieved from HMC or specified on command line
- Mode column
 - c means capped, C – capped with SMT on
 - u means uncapped – U uncapped with SMT on
 - S means SMT on
- Uses the new **xmtopas** daemon started by inetd

topas - CEC monitoring data collection setup



topas - CEC configuration information

- Command line options (-o flag)
 - availmem
 - ▶ total memory size allocated in MB
 - unavailmem
 - ▶ total memory size unallocated in MB
 - availcpu
 - ▶ total cpus allocated on the HMC
 - unavailcpu
 - ▶ total cpus unallocated on the HMC
 - partitions
 - ▶ number of partitions defined on the HMC
 - reconfig
 - ▶ reconfiguration interval in sec 30/60(default)/90/120/180/240/300
 - poolsize
 - ▶ defined Pool Size required if HMC PUA restricts access

- If some partitions are on different subnetworks
 - create a file named **Rsi.hosts** with one fully qualified hostname or IP address per line
 - put file either in \$HOME or in **/etc/perf**

topas - partitions and HMC connection setup

- SSH setup
 - install OpenSSH on the partition
 - enable remote command support on the HMC for user hscroot to allow ssh connections to be opened from the partition
 - configure ssh on the HMC to not require a password for the HMC user hscroot when queried from the selected partition
 - ▶ requires the `.ssh/authorized_keys2` on the HMC for user login hscroot
 - run
 - ▶ `ssh -l hscroot hmc_address date`
 - from the partition to confirm whether the date is displayed without requiring that a password be entered

- Topas setup (-o flag)
 - managedsys
 - ▶ managed system name under which this partition is configured
 - hmc
 - ▶ HMC name under which this partition is configured, available via:
 - `lsrsrc -dx IBM.ManagementServer Hostname`

topas - CEC and individual partition metrics

• Partition totals

- Shr
 - Number of shared partitions
- Ded
 - Number of dedicated partitions

• Memory (in GB)

- Mon
 - Monitored partitions total memory
- Avl
 - Memory available to partition set
- InUse
 - Memory in use on monitored partitions

• Processor

- Shr
 - Number of shared processors
- Ded
 - Number of dedicated processors
- PSz
 - Active physical CPUs in the shared processor pool being used by this LPAR
- APP
 - Available physical processors in the shared pool
- Shr_PhysB
 - Shared Physical Busy
- Ded_PhysB
 - Dedicated Physical Busy

• Partition metrics

- Host
 - Hostname
- OS
 - Operating system level
- M
 - Mode
 - C - SMT enabled & capped
 - c - SMT disabled & capped
 - U - SMT enabled & uncapped
 - u - SMT disabled & uncapped
 - S - SMT enabled (dedicated partitions)
- Mem, InU
 - Total and in use memory in GB.
- Lp
 - Number of logical processors
- Us, Sy, Wa, Id
 - Percentage of CPU in user mode, kernel mode, spent waiting for IO, and idle.
- PhysB
 - Physical Processors Busy
- Ent, %Entc
 - Entitlement and Percent Entitlement consumed
- Vcsw
 - Virtual context switches per second
- PhI
 - Phantom interrupts per second

shared mode only

topas - CEC panel commands

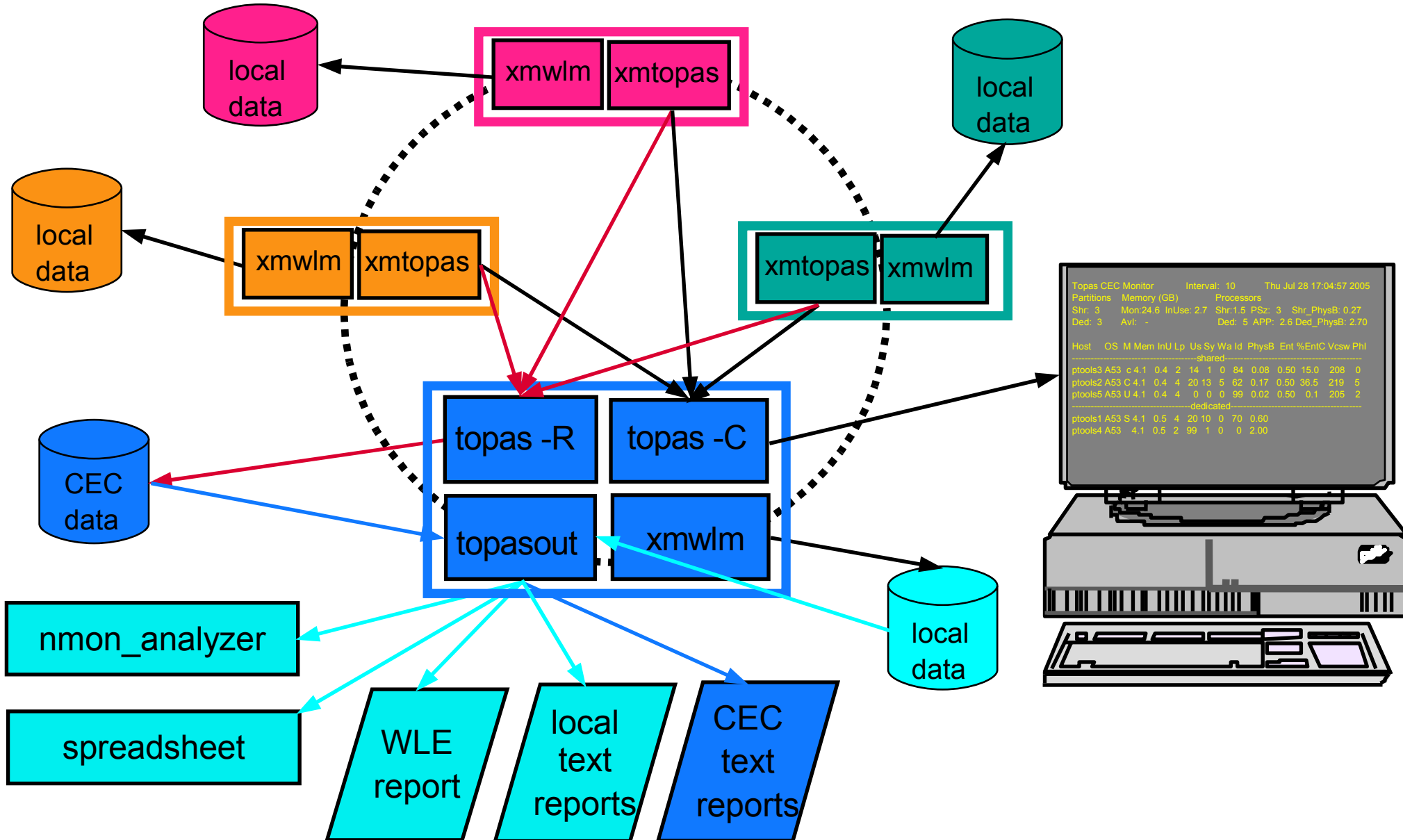
- g
 - toggles the top global section of the panel between
 - ▶ brief listing
 - ▶ detailed listing
 - ▶ off
- d
 - toggles the dedicated partition section on and off.
- S
 - toggles the shared partition section on and off.
- r
 - forces topas to search for HMC configuration changes if a connection is available. This includes the discovery of new partitions, processors, or memory allocations.

Automatic Performance Metric recording

- Introduced in 5.3 TL 4
 - uses xmwlm daemon
 - automatically started from inittab
 - initially kept 2 days worth of data, but changing to 7 days in 5.3 TL5
 - recordings include most of topas data
 - ▶ except process and WLM data
- New (5.3 TL5) topas -R option records topas -C metrics (CEC-wide data)
 - works independently and in parallel from topas real-time monitors
 - must be turned on manually in one of the partitions in CEC
 - ▶ via configuration script which adds line in inittab

```
# /usr/lpp/perfagent/config_topas.sh add
```
- topasout
 - postprocessing tool for recordings
 - WLE reports
 - text reports (5.3 TL5)
 - ▶ include both local data and CEC-wide data
 - ▶ options include detailed and summary
 - spreadsheet and csv formats
 - nmon_analyzer format (5.3 TL5)

Automatic Performance Metric recording(cont)



topasout - CEC summary report

● Example with configuration change

Report: Topas CEC Summary --- hostname: ptoolsl1 version:1.0

Start:02/09/06 00.00.00 Stop:02/09/06 23.55.00 Int: 5 Min Range:1440 Min

Partition Mon: 7 UnM: 1 Shr: 4 Ded: 3 Cap: 3 UnC: 1

Time	-CEC-----		-Processors-----								-Memory (GB)-----				
	ShrB	DedB	Mon	UnM	Avl	UnA	Shr	Ded	PSz	APP	Mon	UnM	Avl	UnA	InU
00.05.00	3.2	1.1	5	2	7	1	4	3	2	1	16.0	0.0	32.0	0.0	8.1
00.10.00	2.9	0.9	5	2	7	1	4	3	2	1	16.0	0.0	32.0	0.0	8.3
00.15.00	2.1	1.3	5	2	7	1	4	3	2	1	16.0	0.0	32.0	0.0	8.5

...

configuration change at 02.15.00

Partition Mon: 8 UnM: 0 Shr: 4 Ded: 4 Cap: 3 UnC: 1

Time	-CEC-----		-Processors-----								-Memory (GB)-----				
	ShrB	DedB	Mon	UnM	Avl	UnA	Shr	Ded	PSz	APP	Mon	UnM	Avl	UnA	InU
02.15.00	3.1	2.5	7	0	7	1	4	5	2	1	18.0	0.0	32.0	0.0	9.1
02.20.00	1.9	1.5	7	0	7	1	4	5	2	1	18.0	0.0	32.0	0.0	6.8
02.25.00	2.0	3.3	7	0	7	1	4	5	2	1	18.0	0.0	32.0	0.0	7.8

...

topasout - detailed CEC report

Report: Topas CEC Detailed --- hostname: ptools11 version:1.0

Start:05/02/06 07.00.00 Stop:05/02/06 17.00.00 Int:05 Min Range:600 Min

Time: 07.00.00

```

Partition Info      Memory (GB)      Processors
Monitored   :    8   Monitored   : 0.0   Monitored   :    7   Shr Physical Busy:  2.2
UnMonitored:    -   UnMonitored: 0.0   UnMonitored:    0   Ded Physical Busy:  0.4
Shared      :    3   Available  :32.0   Available   :    7
Dedicated   :    2   UnAllocated:  -   UnAllocated:    1   Hypervisor
Capped      :    1   Consumed   : 8.7   Shared      :    4   Virt. Context Switch:332
Uncapped    :    2                               Dedicated   :    3   Phantom Interrupts :  2
                                                Pool Size   :    2
                                                Avail Pool  :    1

```

Host	OS	M	Mem	InU	Lp	Us	Sy	Wa	Id	PhysB	Ent	%EntC	VcsW	PhI
------	----	---	-----	-----	----	----	----	----	----	-------	-----	-------	------	-----

-----shared-----

ptools1	A53	u	1.1	0.4	4	15	3	0	82	1.30	0.50	22.0	200	5
ptools5	A53	U	12	10	1	12	3	0	85	0.20	0.25	0.3	121	3
ptools3	A53	C	5.0	2.6	1	10	1	0	89	0.15	0.25	0.3	52	2

-----dedicated-----

ptools4	A53	S	0.6	0.3	2	12	3	0	85	0.60				
ptools6	A52		1.1	0.1	1	11	7	0	82	0.50				
ptools8	A52		1.1	0.1	1	11	7	0	82	0.50				

Time: 07.05.00

```

Partition Info      Memory (GB)      Processors
Monitored   :    8   Monitored   : 0.0   Monitored   :    7   Shr Physical Busy:  2.2
UnMonitored:    -   UnMonitored: 0.0   UnMonitored:    0   Ded Physical Busy:  0.4
Shared      :    3   Available  :32.0   Available   :    7
Dedicated   :    2   UnAllocated:  -   UnAllocated:    1   Hypervisor
Capped      :    2   Consumed   : 8.7   Shared      :    4   Virt. Context Switch:332
Uncapped    :    2                               Dedicated   :    3   Phantom Interrupts :  2
                                                Pool Size   :    2
                                                Avail Pool  :    1

```

Host	OS	M	Mem	InU	Lp	Us	Sy	Wa	Id	PhysB	Ent	%EntC	VcsW	PhI
------	----	---	-----	-----	----	----	----	----	----	-------	-----	-------	------	-----

-----shared-----

ptools1	A53	u	1.1	0.4	4	15	3	0	82	1.30	0.50	22.0	200	5
ptools5	A53	U	12	10	1	12	3	0	85	0.20	0.25	0.3	121	3
ptools3	A53	C	5.0	2.6	1	10	1	0	89	0.15	0.25	0.3	52	2

-----dedicated-----

ptools4	A53	S	0.6	0.3	2	12	3	0	85	0.60				
ptools6	A52		1.1	0.1	1	11	7	0	82	0.50				
ptools8	A52		1.1	0.1	1	11	7	0	82	0.50				

Time: 07.10.00

topasout - summary local report

•Dedicated partitions

Report: System Summary - hostname: ptoolsl1

version 1.0

Start:12/20/05 14.00.00 Stop:12/20/05 15.00.00 Int: 5 Min Range: 60 Min

Mem: 16.2 GB Dedicated SMT:OFF Logical CPUs: 2

Time	InU	Us	Sy	Wa	Id	PhysB	RunQ	WtQ	CSwitch	Syscall	PgFault
------	-----	----	----	----	----	-------	------	-----	---------	---------	---------

14.00.00	21.1	11	8	0	81	0.2	1	0	3432	5050	17
14.05.00	21.1	16	5	0	79	0.3	1	0	532	3104	14
14.10.00	21.2	13	7	0	20	0.2	1	0	652	4326	13

•Shared partitions

Report: System Summary - hostname: ptoolsl1

version 1.0

Start:12/21/05 10.00.00 Stop:12/21/05 11.00.00 Int: 5 Min Range: 60 Min

Psize:1.0 Mem: 16.2 GB Shared SMT:OFF Logical CPUs: 2

Time	InU	Us	Sy	Wa	Id	PhysB	Ent	%EntC	RunQ	WtQ	CSwitch	Syscall	PgFault
------	-----	----	----	----	----	-------	-----	-------	------	-----	---------	---------	---------

10.00.00	21.1	11	8	0	81	0.2	0.5	23.2	1	0	3432	5050	17
10.05.00	21.1	16	5	0	79	0.3	0.5	25.0	1	0	532	3104	14
10.10.00	21.2	13	7	0	20	0.2	0.5	23.4	1	0	652	4326	13

topasout - detailed local report

Report: System Detailed --- hostname: ptools11 version 1.0

Start:12/21/05 10.00.00 Stop:12/21/05 11.00.00 Int: 5 Min Range: 60 Min

Time: 10.00.00

CPU	UTIL	MEMORY	PAGING	EVENTS/QUEUES	NFS
Kern	12.0 PhyB 0.7	Sz,GB 16.0	Sz,GB 4.0	Cswth 3213	SrvV2 32
User	8.0 Ent 0.5	InU 4.3	InU 2.3	Syscl 43831	ClvV2 12
Wait	0.0 EntC 15.2	%Comp 3.1	Flt 221	RunQ 1	SrvV3 44
Idle	78.0 LP 4	%NonC 9.0	Pg-I 87	WtQ 0	ClvV3 18
SMT	ON Mode Shr	%Clnt 2.0	Pg-O 44	VCSW 1214	

Network	KBPS	I-Pack	O-Pack	KB-I	KB-O
en0	0.6	7.5	0.5	0.3	0.3
en1	22.3	820.1	124.3	410.0	61.2
lo0	0.0	0.0	0.0	0.0	0.0

Disk	Busy%	KBPS	TPS	KB-R	KB-W
hdisk0	0.0	0.0	0.0	0.0	0.0
hdisk1	0.0	0.0	0.0	0.0	0.0

Time: 10.05.00

CPU	UTIL	MEMORY	PAGING	EVENTS/QUEUES	NFS
Kern	12.0 PhyB 0.7	Sz,GB 16.0	Sz,GB 4.0	Cswth 3213	SrvV2 32
User	8.0 Ent 0.5	InU 4.3	InU 2.3	Syscl 43831	ClvV2 12
Wait	0.0 EntC 15.2	%Comp 3.1	Flt 221	RunQ 1	SrvV3 44
Idle	78.0 LP 4	%NonC 9.0	Pg-I 87	WtQ 0	ClvV3 18
SMT	ON Mode Shr	%Clnt 2.0	Pg-O 44	VCSW 1214	

Network	KBPS	I-Pack	O-Pack	KB-I	KB-O
en0	0.6	7.5	0.5	0.3	0.3
en1	22.3	820.1	124.3	410.0	61.2
lo0	0.0	0.0	0.0	0.0	0.0

Disk	Busy%	KBPS	TPS	KB-R	KB-W
hdisk0	0.0	0.0	0.0	0.0	0.0
hdisk1	0.0	0.0	0.0	0.0	0.0

topasout - I/O summary reports

●Disk report

Report: Total Disk I/O Summary - hostname: ptools11 **version:1.0**

Start:04/25/06 00.00.00 Stop:04/26/06 00.00.00 Int:05 Min Range:1440 Min

Mem: 8.0 GB Dedicated SMT:ON Logical CPUs:16

Time	InU	PhysB	%Bsy	MBPS	TPS	MB-R	MB-W
------	-----	-------	------	------	-----	------	------

00.05.00	6.5	12.50	45.5	120.5	300.1	100.1	20.4
00.10.00	6.7	13.40	55.0	240.0	320.2	240.0	0.0
00.15.00	7.0	14.70	60.4	160.2	350.3	40.1	120.1
00.20.00	7.4	15.50	72.3	200.7	410.5	20.3	180.4

●LAN report

Report: Total LAN I/O Summary - hostname: ptools11 **version:1.0**

Start:03/12/06 17.15.00 Stop:03/12/06 20.30.00 Int:05 Min Range: 195 Min

Psize:1.0 Mem: 16.2 GB Shared SMT:OFF Logical CPUs: 2

Time	InU	PhysB	MBPS	I-Pack	O-Pack	MB-I	MB-O	Rcvdrp	Xmtdrp
------	-----	-------	------	--------	--------	------	------	--------	--------

17.15.00	3.2	6.30	20.0	310.5	120.2	16.2	3.8	120	160
17.20.00	3.3	6.45	22.3	220.3	225.7	11.1	11.2	118	165
17.25.00	3.2	6.15	18.5	275.6	158.0	11.6	6.9	121	162
17.30.00	3.4	6.55	19.4	270.2	156.9	11.3	6.1	124	154

topas - PTX affinity

- topas -C and -R
 - can monitor AIX 5.2 partitions if xmservd is running
- xmtopas is derived from xmservd
 - both used for real-time monitoring

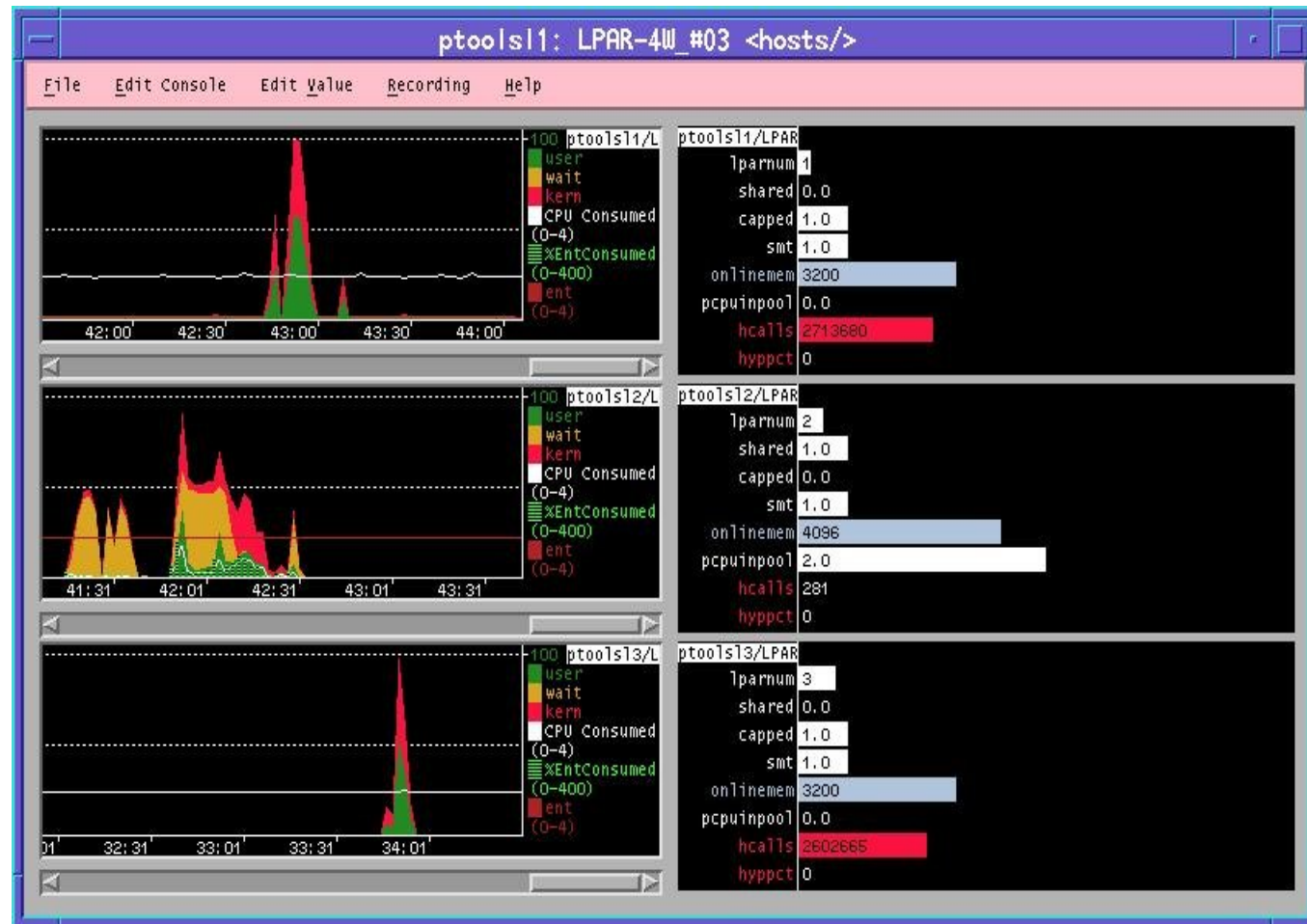
- xmwlm is derived from xmtrend
 - collect "trend" data
 - ▶ average values
 - also min, max stdev
 - default mode collects average WLM performance metrics
 - ▶ viewed with wlmmon
 - free version of wlmperf which is part of PTX
 - -L option collects topas local data

- topas -R acts as DDS
 - Dynamic Data Supplier
 - "exports" aggregated CEC metrics to PTX name space
 - ▶ can be monitored with any of the PTX GUIs

PTX refresh - enhanced virtualization support

- Adds sample consoles for easy physical machine monitoring

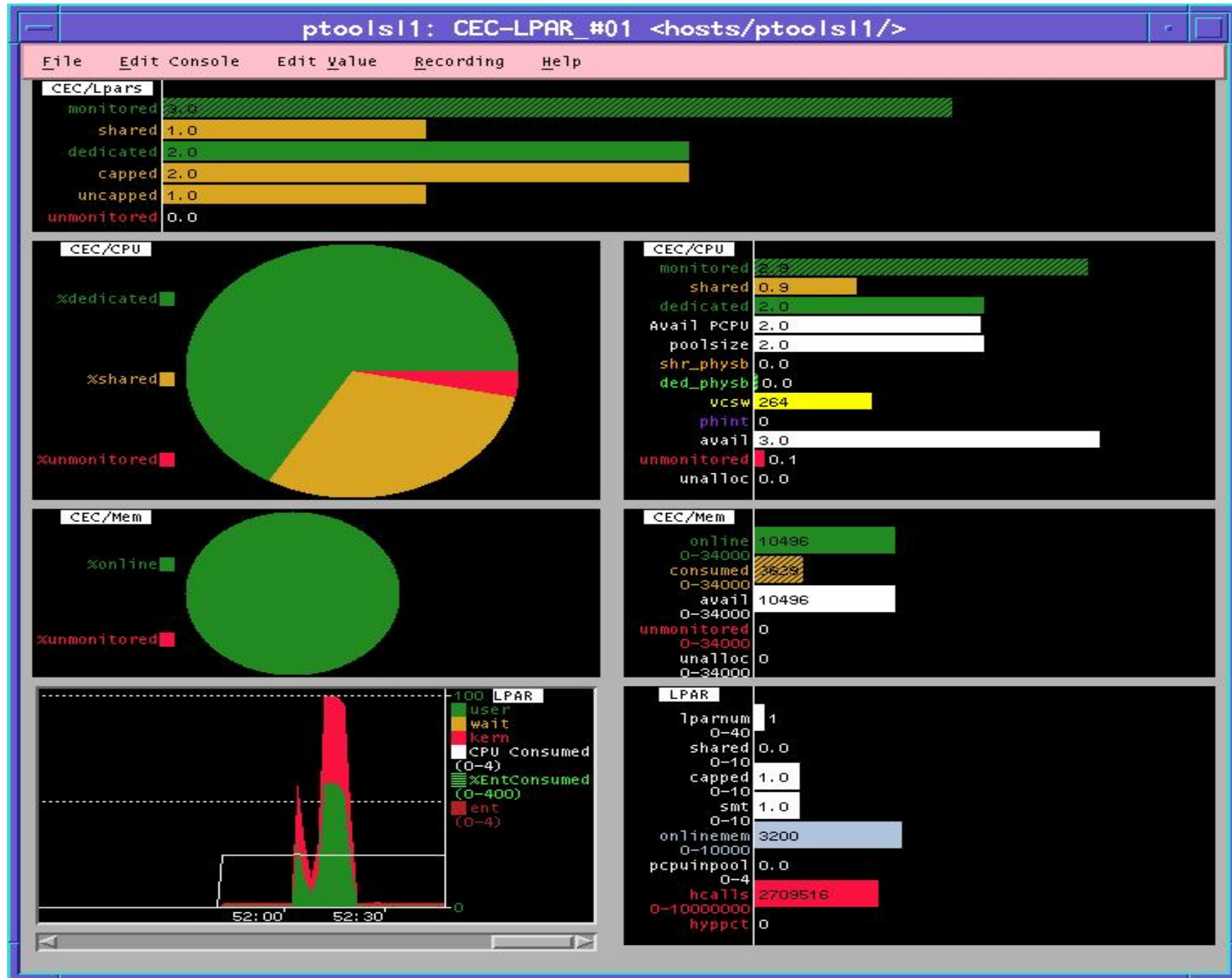
- skeleton console to display real-time aggregated data
 - ▶ only needs hostname of partition running topas -R to instantiate
- skeleton console to monitor a set of partitions
 - ▶ only needs partitions hostnames to instantiate
 - ▶ includes 5.2 partitions running PTX agent



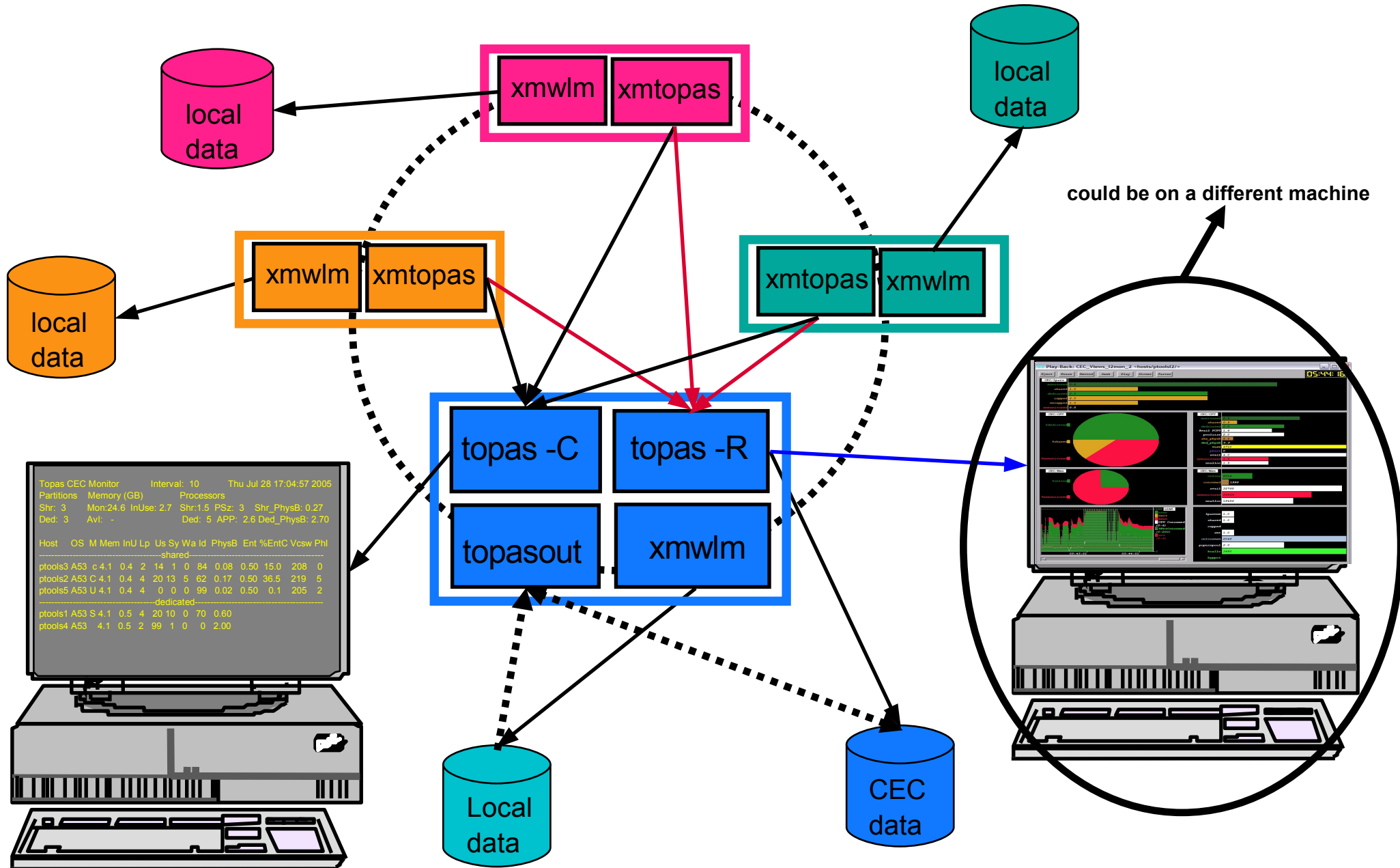
- Provides easily customizable solution

- only list of partitions hostnames is needed to instantiate fully functional physical machine monitoring set of consoles
- includes standard PTX attributes
 - ▶ recordings/playback
 - ▶ reports

PTX aggregated metrics viewing console



PTX aggregated metrics monitoring



Future plans

- VIOS support
 - topas -C supports VIOS partition with 08/06 code level
 - plan to add disk client/server view, recording and reports

- smit
 - configure Rsi.hosts
 - configure recordings (intervals, location)
 - generate reports

- topasout
 - support for WLE and WLM data text reports
 - rrdtools format

- nmon integration
 - merge real-time monitors
 - ▶ one binary with dual personalities
 - extend linkage with nmon_analyzer
 - fully support nmon_analyzer
 - ▶ similar to perfpmr support

Thank You!

charts to be available at:

<http://www.ibm.com/developerworks/blogs/page/Systemptechuniv>
